



US00D950249S

(12) **United States Design Patent**  
**Albay et al.**

(10) **Patent No.:** **US D950,249 S**

(45) **Date of Patent:** **\*\* May 3, 2022**

(54) **HEAD FOR ELECTRIC TOOTHBRUSH**

(71) Applicant: **Braun GmbH**, Kronberg (DE)

(72) Inventors: **Devran Albay**, Frankfurt (DE); **Moritz Carlo Honisch**, Frankfurt (DE); **Dominik Langhammer**, Frankfurt (DE); **Niclas Altmann**, Schöneck (DE); **Siegfried Bauernfeind**, Frankfurt am Main (DE); **Bianka Becker-Salzsäuler**, Kronberg (DE); **Ulrich Störkel**, BAD Nauheim (DE)

(73) Assignee: **Braun GmbH**, Kronberg (DE)

(\*\*) Term: **15 Years**

(21) Appl. No.: **29/758,251**

(22) Filed: **Nov. 13, 2020**

**Related U.S. Application Data**

(62) Division of application No. 29/646,252, filed on May 2, 2018.

(30) **Foreign Application Priority Data**

Nov. 2, 2017 (WO) ..... 5250601

(51) **LOC (13) Cl.** ..... **28-03**

(52) **U.S. Cl.**  
USPC ..... **D4/101; D4/113**

(58) **Field of Classification Search**  
USPC ..... D4/100, 101, 102, 104, 105, 106, 107, D4/108; 15/167.1

CPC . A46B 2200/1066; A46B 9/04; A61C 17/222; A61C 17/24; A61C 17/26

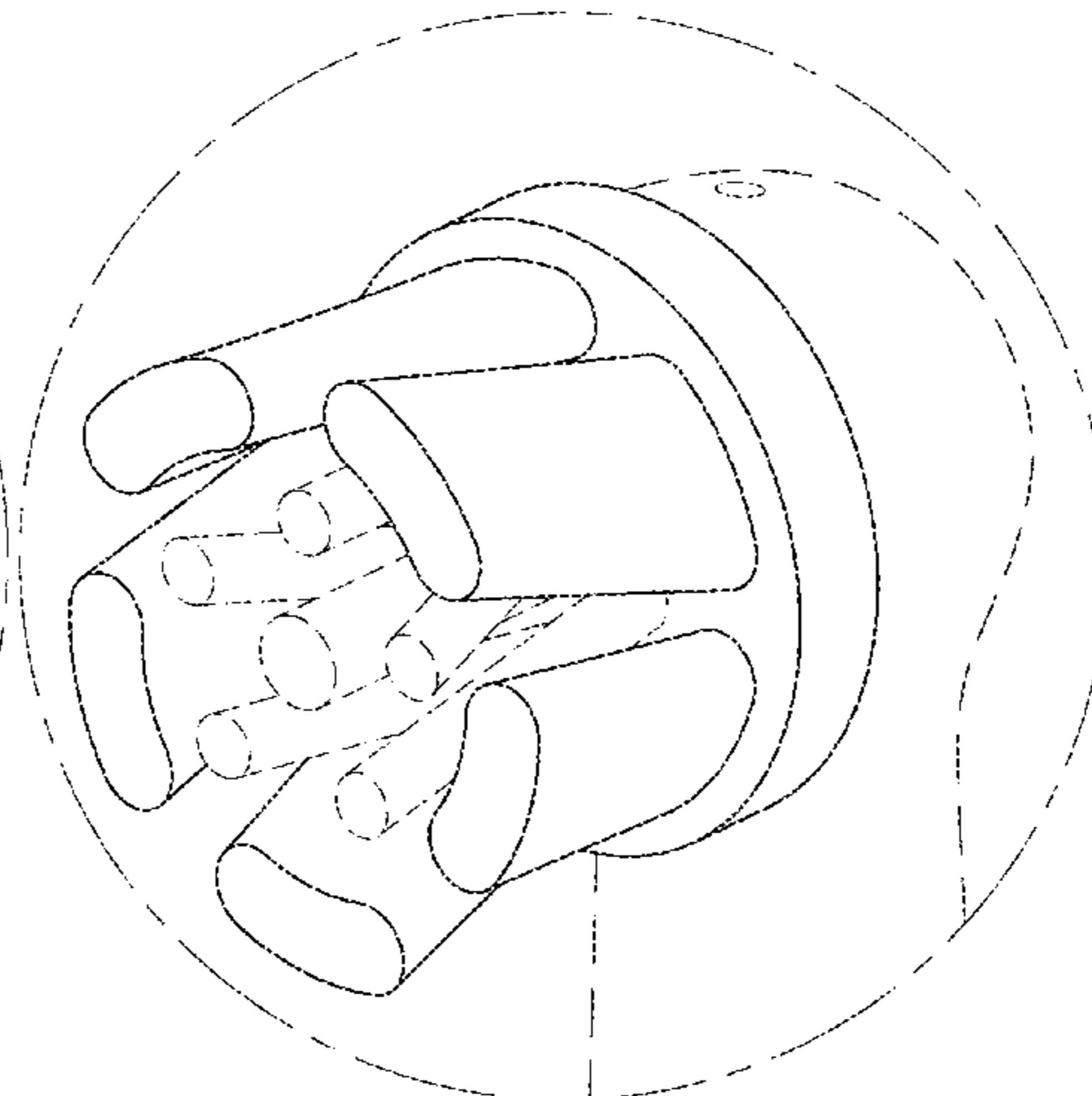
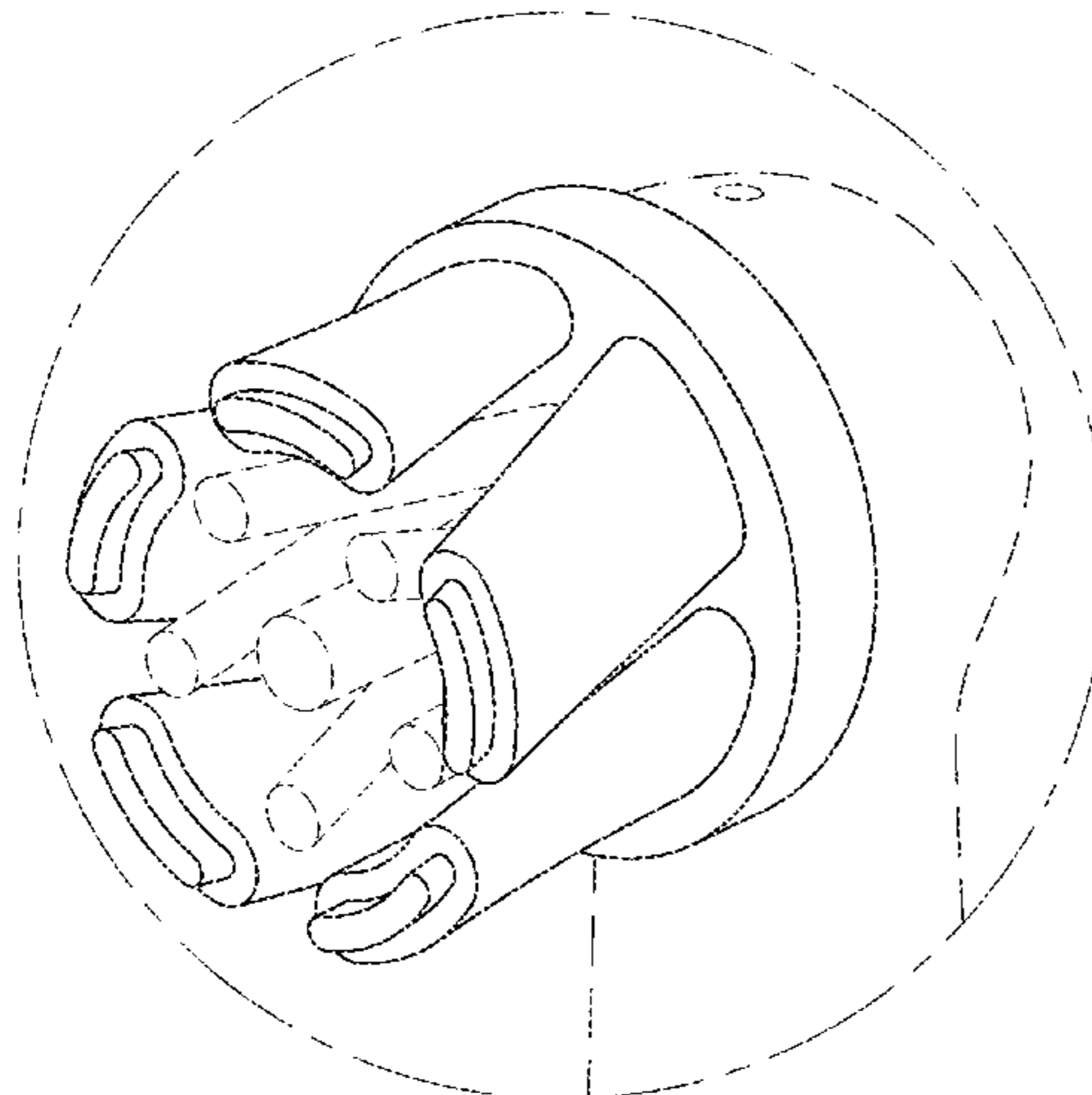
See application file for complete search history.

(56) **References Cited**

**U.S. PATENT DOCUMENTS**

2,242,743 A 5/1941 McCarthy  
D373,903 S 9/1996 Stutzer et al.  
D454,251 S 3/2002 De et al.

D456,607 S \* 5/2002 Carlucci ..... D4/101  
D465,655 S 11/2002 Kraemer  
6,751,823 B2 6/2004 Biro  
6,957,468 B2 \* 10/2005 Driesen ..... A46B 3/08  
15/167.1  
D515,816 S 2/2006 Jimenez et al.  
D533,720 S 12/2006 Vu  
7,520,016 B2 4/2009 Kressner  
D607,646 S 1/2010 Ino  
7,788,756 B2 9/2010 Kraemer  
D657,954 S 4/2012 Gebski  
D658,381 S 5/2012 Gebski  
D658,383 S 5/2012 Key et al.  
D676,663 S 2/2013 Ptok et al.  
D687,636 S \* 8/2013 Driesen ..... D4/101  
D689,697 S 9/2013 Doumoto et al.  
8,769,758 B2 7/2014 Jungnickel et al.  
D717,547 S 11/2014 Adriaenssen et al.  
D718,057 S 11/2014 Masee et al.  
D719,737 S 12/2014 Adriaenssen et al.  
D734,614 S 7/2015 Driesen  
D749,851 S 2/2016 Watkins  
D752,868 S 4/2016 McGarry et al.  
D759,381 S 6/2016 Watkins  
D759,382 S 6/2016 Watkins  
9,402,461 B2 8/2016 Brik  
D766,581 S 9/2016 Bloch et al.  
D767,895 S 10/2016 Stebila et al.  
D771,388 S 11/2016 Since  
D773,822 S 12/2016 Sikora et al.  
D775,469 S 1/2017 Sikora et al.  
D787,189 S 5/2017 Fretwell et al.  
D790,859 S 7/2017 McGarry et al.  
D791,485 S 7/2017 McGarry et al.  
D795,419 S 8/2017 Kohler  
9,724,181 B2 \* 8/2017 Schaefer ..... A61C 17/34  
D799,217 S 10/2017 Masee  
9,788,926 B2 10/2017 Franke  
D801,696 S 11/2017 McGarry et al.  
9,865,184 B2 1/2018 Jungnickel et al.  
D814,195 S 4/2018 Sikora et al.  
D819,337 S 6/2018 Yuan et al.  
D819,973 S 6/2018 Greve et al.  
D824,174 S 7/2018 Altmann et al.  
D824,175 S 7/2018 Yan  
D831,358 S 10/2018 Altmann et al.  
D838,991 S 1/2019 Choi et al.  
D844,995 S 4/2019 Wong et al.  
D845,636 S 4/2019 Porter et al.  
10,376,039 B2 8/2019 Jungnickel  
D861,351 S 10/2019 Albay et al.  
D863,772 S \* 10/2019 Hu ..... D4/101  
D863,773 S \* 10/2019 Hu ..... D4/101





D868,482 S *	12/2019	Papazian .....	D4/104
D874,156 S *	2/2020	Altmann .....	D4/127
D874,830 S	2/2020	Choi et al.	
D884,351 S	5/2020	Albay et al.	
D884,354 S	5/2020	Albay et al.	
10,667,892 B2	6/2020	Bärtschi	
D890,528 S	7/2020	Albay et al.	
D894,610 S	9/2020	Albay et al.	
D906,688 S	1/2021	Porter et al.	
D907,369 S *	1/2021	Yang .....	D4/101
D912,989 S	3/2021	Albay et al.	
11,103,054 B2 *	8/2021	Altmann .....	A46B 9/025
D930,989 S	9/2021	Albay et al.	
D932,777 S	10/2021	Albay et al.	
D933,368 S	10/2021	Albay et al.	
2009/0013489 A1	1/2009	Binet	
2012/0124759 A1	5/2012	Fritsch	
2017/0128178 A1	5/2017	Schmidt et al.	
2018/0021116 A1	1/2018	Störkel	
2019/0125065 A1	5/2019	Altmann	
2020/0368003 A1 *	11/2020	Claire-Zimmet ..	A46B 15/0022
2020/0397130 A1	12/2020	Ganninger et al.	
2020/0397134 A1	12/2020	Ganninger et al.	
2020/0397136 A1	12/2020	Ganninger et al.	
2020/0397137 A1	12/2020	Ganninger et al.	
2021/0045857 A1	2/2021	Fritsch et al.	
2021/0145539 A1	5/2021	Greve	

FOREIGN PATENT DOCUMENTS

CN	302898215 S	8/2014
EM	003175470-0002	7/2016
EM	004362952-0001	9/2017
JP	1232984 S	3/2005
JP	1620904 S	12/2018
RU	93878 S	6/2015
WO	DM093043	6/2017

OTHER PUBLICATIONS

U.S. Appl. No. 29/646,252, filed May 2, 2018, Devran Albay et al.  
 U.S. Appl. No. 29/758,249, filed Nov. 13, 2020, Devran Albay et al.  
 U.S. Appl. No. 29/758,276, filed Nov. 13, 2020, Devran Albay et al.  
 U.S. Appl. No. 29/758,274, filed Nov. 13, 2020, Devran Albay et al.  
 U.S. Appl. No. 29/743,560, filed Jul. 22, 2020, Devran Albay et al.  
 U.S. Appl. No. 29/758,268, filed Nov. 13, 2020, Devran Albay et al.  
 "All Office Actions, U.S. Appl. No. 29/646,252".  
 U.S. Appl. No. 29/699,695, filed Jul. 29, 2019, Niclas Altmann et al.  
 U.S. Appl. No. 29/786,732, filed Jun. 2, 2021, Devran Albay et al.  
 U.S. Appl. No. 29/786,746, filed Jun. 2, 2021, Devran Albay et al.  
 U.S. Appl. No. 29/794,152, filed Jun. 10, 2021, Devran Albay et al.  
 All Office Actions; U.S. Appl. No. 29/699,695, filed Jul. 29, 2019.  
 All Office Actions; U.S. Appl. No. 29/743,560, filed Jul. 22, 2020.  
 All Office Actions; U.S. Appl. No. 29/758,249, filed Nov. 13, 2020.  
 All Office Actions; U.S. Appl. No. 29/758,268, filed Nov. 13, 2018.  
 All Office Actions; U.S. Appl. No. 29/758,274, filed Nov. 13, 2020.  
 All Office Actions; U.S. Appl. No. 29/758,276, filed Nov. 13, 2020.  
 All Office Actions; U.S. Appl. No. 29/786,732, filed Jun. 2, 2021.  
 All Office Actions; U.S. Appl. No. 29/786,746, filed Jun. 2, 2021.  
 All Office Actions; U.S. Appl. No. 29/794,152, filed Jun. 10, 2018.

\* cited by examiner

Primary Examiner — Karen E Eldridge Powers  
 (74) Attorney, Agent, or Firm — Vladimir Vitenberg

(57) CLAIM

The ornamental design for a head for electric toothbrush, as shown and described.

DESCRIPTION

FIG. 1 is a perspective view of a first embodiment of a head for electric toothbrush;

FIG. 2 is a front elevation view thereof;  
 FIG. 3 is a right-side elevation view thereof;  
 FIG. 4 is a rear elevation view thereof;  
 FIG. 5 is a left-side elevation view thereof;  
 FIG. 6 is a top plan view thereof;  
 FIG. 7 is a bottom plan view thereof;  
 FIGS. 8 and 9 are enlarged fragmental perspective views thereof.  
 FIG. 10 is a perspective view of a second embodiment of a head for electric toothbrush;  
 FIG. 11 is a front elevation view thereof;  
 FIG. 12 is a right-side elevation view thereof;  
 FIG. 13 is a rear elevation view thereof;  
 FIG. 14 is a left-side elevation view thereof;  
 FIG. 15 is a top plan view thereof;  
 FIG. 16 is a bottom plan view thereof;  
 FIG. 17 is an enlarged fragmental perspective view thereof.  
 FIG. 18 is a perspective view of a third embodiment of a head for electric toothbrush;  
 FIG. 19 is a front elevation view thereof;  
 FIG. 20 is a right-side elevation view thereof;  
 FIG. 21 is a rear elevation view thereof;  
 FIG. 22 is a left-side elevation view thereof;  
 FIG. 23 is a top plan view thereof;  
 FIG. 24 is a bottom plan view thereof;  
 FIG. 25 is an enlarged fragmental perspective view thereof.  
 FIG. 26 is a perspective view of a fourth embodiment of a head for electric toothbrush;  
 FIG. 27 is a front elevation view thereof;  
 FIG. 28 is a right-side elevation view thereof;  
 FIG. 29 is a rear elevation view thereof;  
 FIG. 30 is a left-side elevation view thereof;  
 FIG. 31 is a top plan view thereof;  
 FIG. 32 is a bottom plan view thereof;  
 FIG. 33 is an enlarged fragmental perspective view thereof.  
 FIG. 34 is a perspective view of a fifth embodiment of a head for electric toothbrush;  
 FIG. 35 is a front elevation view thereof;  
 FIG. 36 is a right-side elevation view thereof;  
 FIG. 37 is a rear elevation view thereof;  
 FIG. 38 is a left-side elevation view thereof;  
 FIG. 39 is a top plan view thereof;  
 FIG. 40 is a bottom plan view thereof;  
 FIG. 41 is an enlarged fragmental perspective view thereof.  
 FIG. 42 is a perspective view of a sixth embodiment of a head for electric toothbrush;  
 FIG. 43 is a front elevation view thereof;  
 FIG. 44 is a right-side elevation view thereof;  
 FIG. 45 is a rear elevation view thereof;  
 FIG. 46 is a left-side elevation view thereof;  
 FIG. 47 is a top plan view thereof;  
 FIG. 48 is a bottom plan view thereof;  
 FIG. 49 is an enlarged fragmental perspective view thereof.  
 FIG. 50 is a perspective view of a seventh embodiment of a head for electric toothbrush;  
 FIG. 51 is a front elevation view thereof;  
 FIG. 52 is a right-side elevation view thereof;  
 FIG. 53 is a rear elevation view thereof;  
 FIG. 54 is a left-side elevation view thereof;  
 FIG. 55 is a top plan view thereof;  
 FIG. 56 is a bottom plan view thereof;  
 FIG. 57 is an enlarged fragmental perspective view thereof.  
 FIG. 58 is a perspective view of an eighth embodiment of a head for electric toothbrush;  
 FIG. 59 is a front elevation view thereof;



FIG. 60 is a right-side elevation view thereof;  
FIG. 61 is a rear elevation view thereof;  
FIG. 62 is a left-side elevation view thereof;  
FIG. 63 is a top plan view thereof;  
FIG. 64 is a bottom plan view thereof;  
FIG. 65 is an enlarged fragmental perspective view thereof.  
FIG. 66 is a perspective view of a ninth embodiment of a head for electric toothbrush;  
FIG. 67 is a front elevation view thereof;  
FIG. 68 is a right-side elevation view thereof;  
FIG. 69 is a rear elevation view thereof;  
FIG. 70 is a left-side elevation view thereof;  
FIG. 71 is a top plan view thereof;  
FIG. 72 is a bottom plan view thereof;  
FIG. 73 is an enlarged fragmental perspective view thereof.  
FIG. 74 is a perspective view of a tenth embodiment of a head for electric toothbrush;  
FIG. 75 is a front elevation view thereof;  
FIG. 76 is a right-side elevation view thereof;  
FIG. 77 is a rear elevation view thereof;  
FIG. 78 is a left-side elevation view thereof;  
FIG. 79 is a top plan view thereof;  
FIG. 80 is a bottom plan view thereof;  
FIG. 81 is an enlarged fragmental perspective view thereof.  
FIG. 82 is a perspective view of an eleventh embodiment of a head for electric toothbrush;  
FIG. 83 is a front elevation view thereof;  
FIG. 84 is a right-side elevation view thereof;  
FIG. 85 is a rear elevation view thereof;  
FIG. 86 is a left-side elevation view thereof;  
FIG. 87 is a top plan view thereof;  
FIG. 88 is a bottom plan view thereof;  
FIG. 89 is an enlarged fragmental perspective view thereof.  
FIG. 90 is a perspective view of a twelfth embodiment of a head for electric toothbrush;  
FIG. 91 is a front elevation view thereof;  
FIG. 92 is a right-side elevation view thereof;

FIG. 93 is a rear elevation view thereof;  
FIG. 94 is a left-side elevation view thereof;  
FIG. 95 is a top plan view thereof;  
FIG. 96 is a bottom plan view thereof;  
FIG. 97 is an enlarged fragmental perspective view thereof.  
FIG. 98 is a perspective view of a thirteenth embodiment of a head for electric toothbrush;  
FIG. 99 is a front elevation view thereof;  
FIG. 100 is a right-side elevation view thereof;  
FIG. 101 is a rear elevation view thereof;  
FIG. 102 is a left-side elevation view thereof;  
FIG. 103 is a top plan view thereof;  
FIG. 104 is a bottom plan view thereof;  
FIG. 105 is an enlarged fragmental perspective view thereof.  
FIG. 106 is a perspective view of a fourteenth embodiment of a head for electric toothbrush;  
FIG. 107 is a front elevation view thereof;  
FIG. 108 is a right-side elevation view thereof;  
FIG. 109 is a rear elevation view thereof;  
FIG. 110 is a left-side elevation view thereof;  
FIG. 111 is a top plan view thereof;  
FIG. 112 is a bottom plan view thereof;  
FIG. 113 is an enlarged fragmental perspective view thereof.  
FIG. 114 is a perspective view of a fifteenth embodiment of a head for electric toothbrush;  
FIG. 115 is a front elevation view thereof;  
FIG. 116 is a right-side elevation view thereof;  
FIG. 117 is a rear elevation view thereof;  
FIG. 118 is a left-side elevation view thereof;  
FIG. 119 is a top plan view thereof;  
FIG. 120 is a bottom plan view thereof; and,  
FIG. 121 is an enlarged fragmental perspective view thereof.  
Broken lines are used in the drawings to designate environmental structures or parts of the head of the electric toothbrush that form no part of the claim.

**1 Claim, 31 Drawing Sheets**

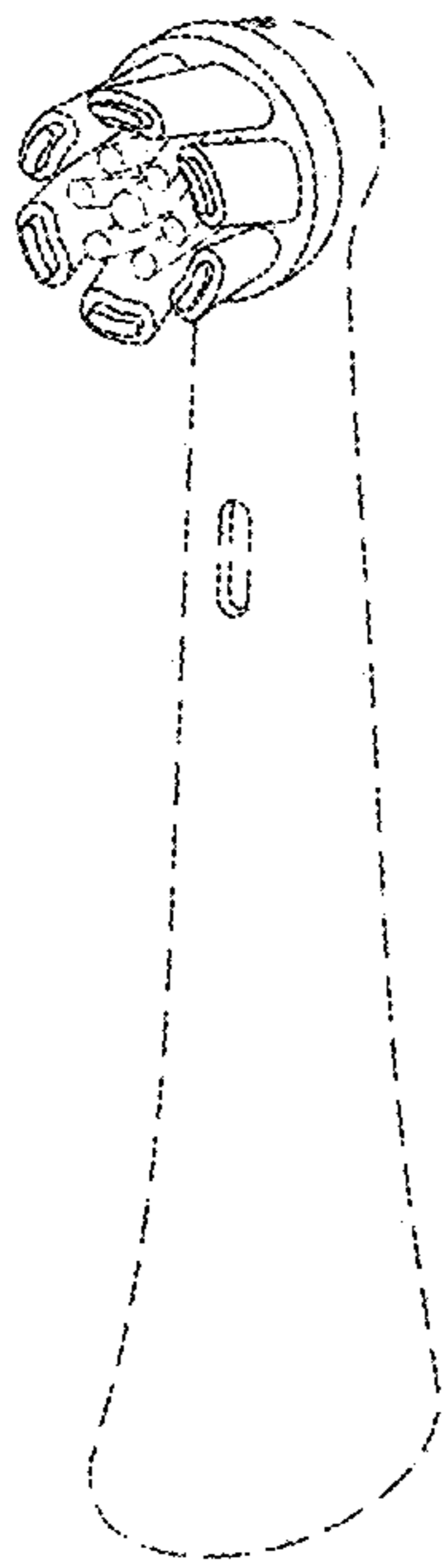


FIG. 1

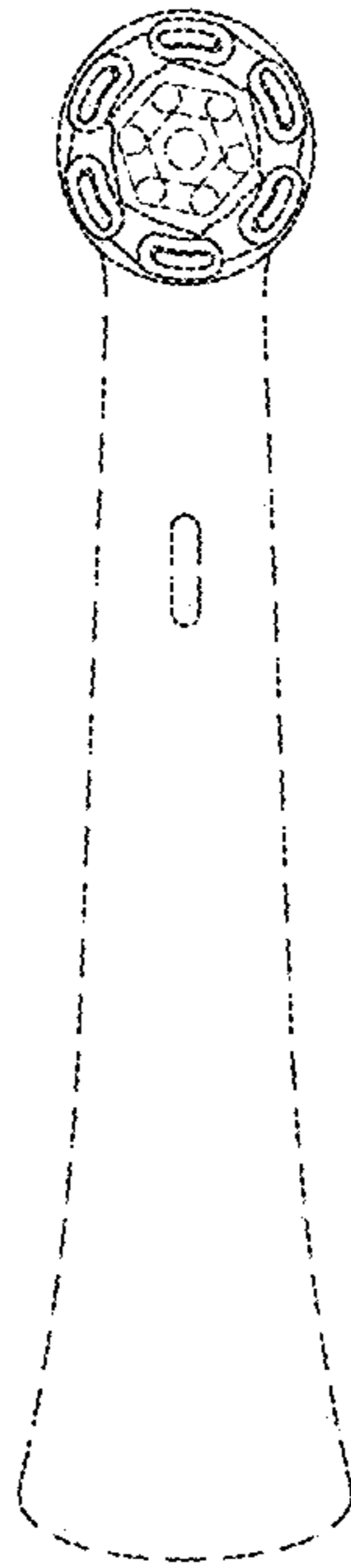


FIG. 2

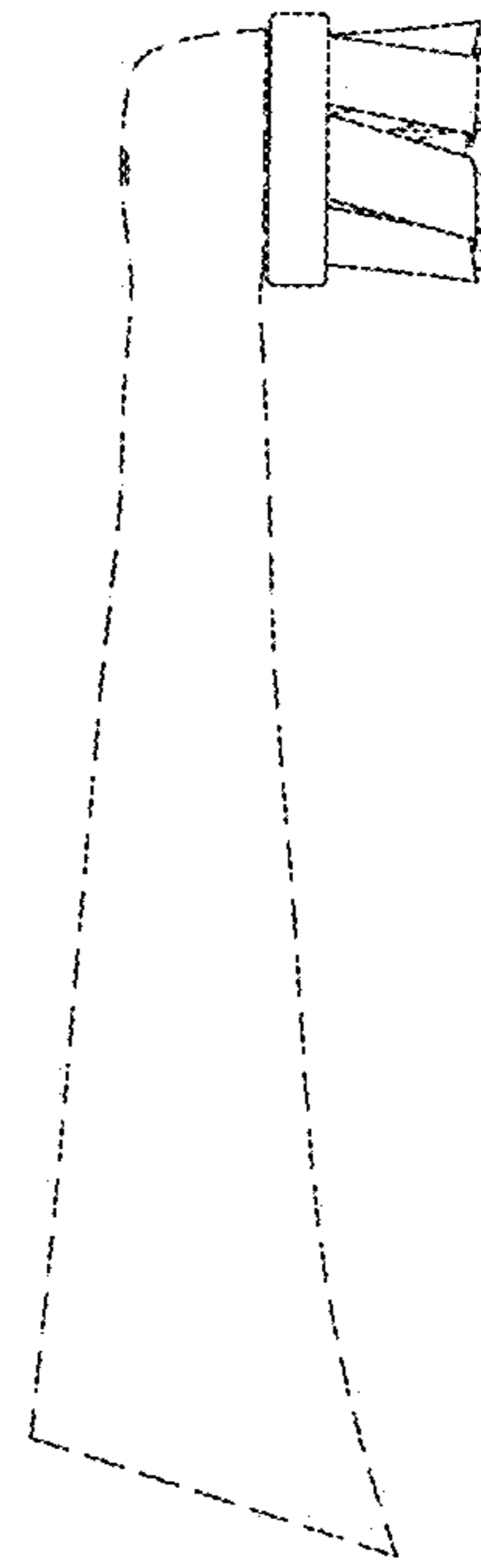


FIG. 3

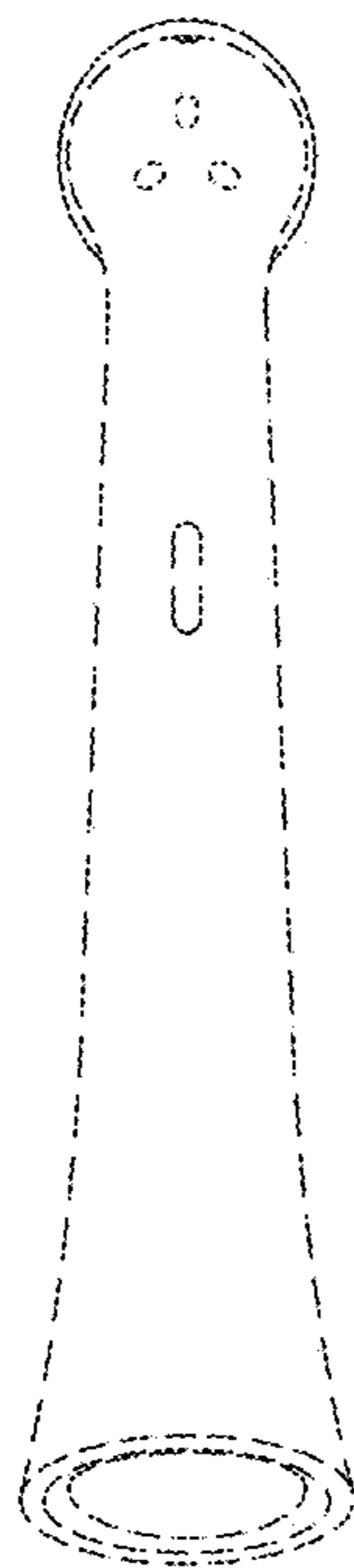


FIG. 4

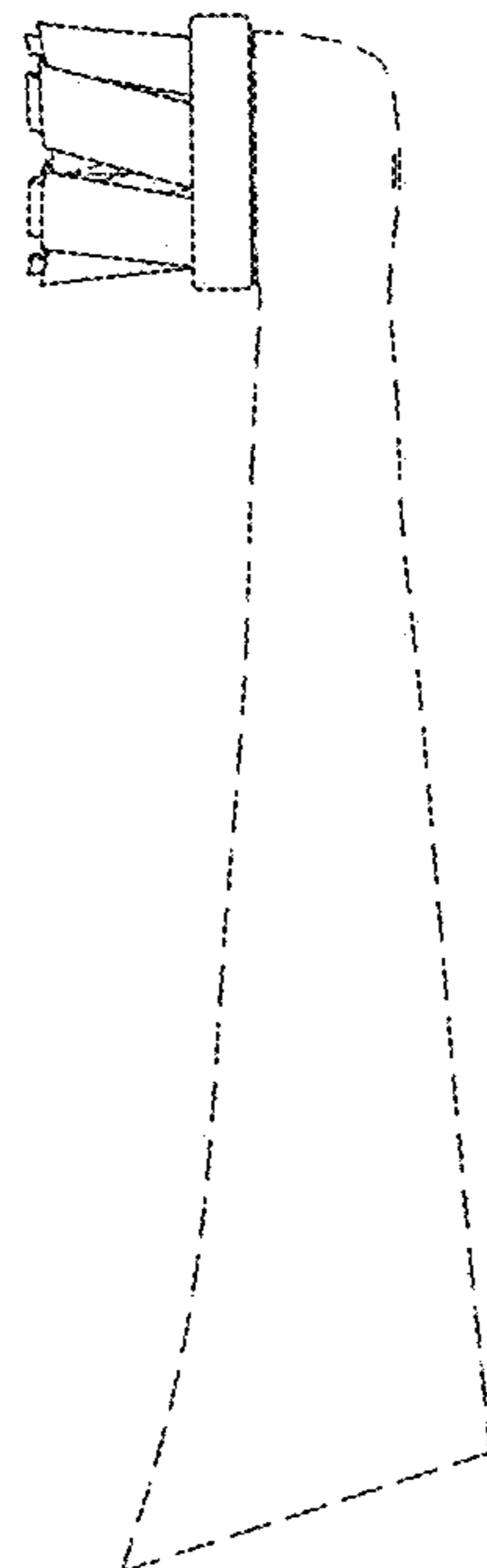


FIG. 5

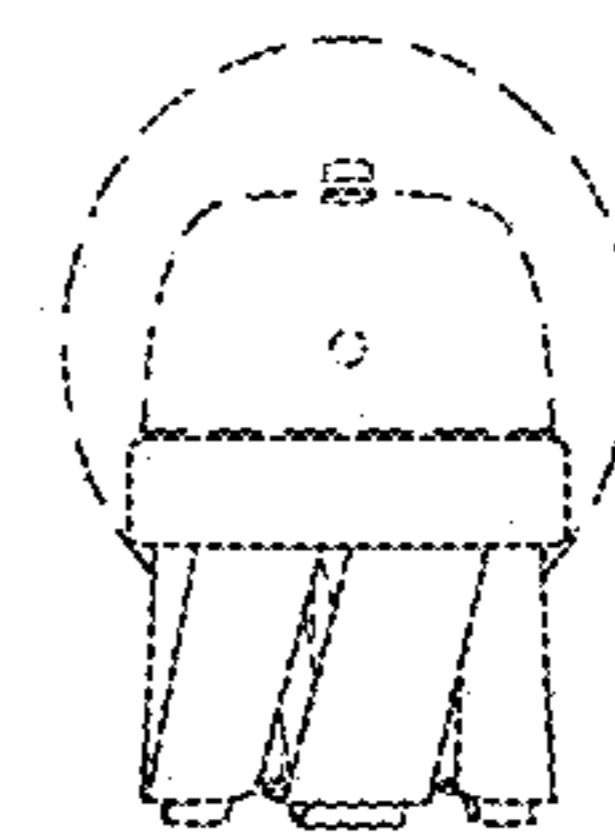


FIG. 6

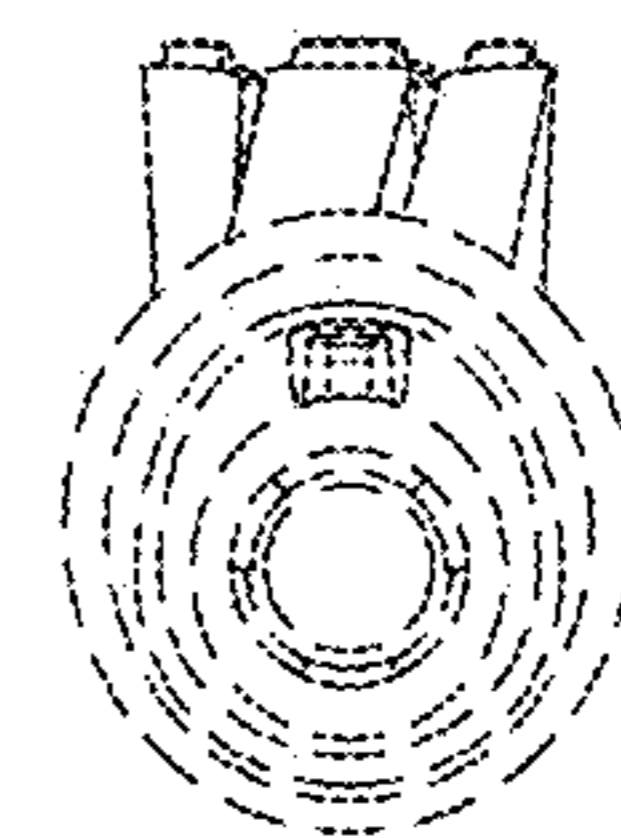


FIG. 7

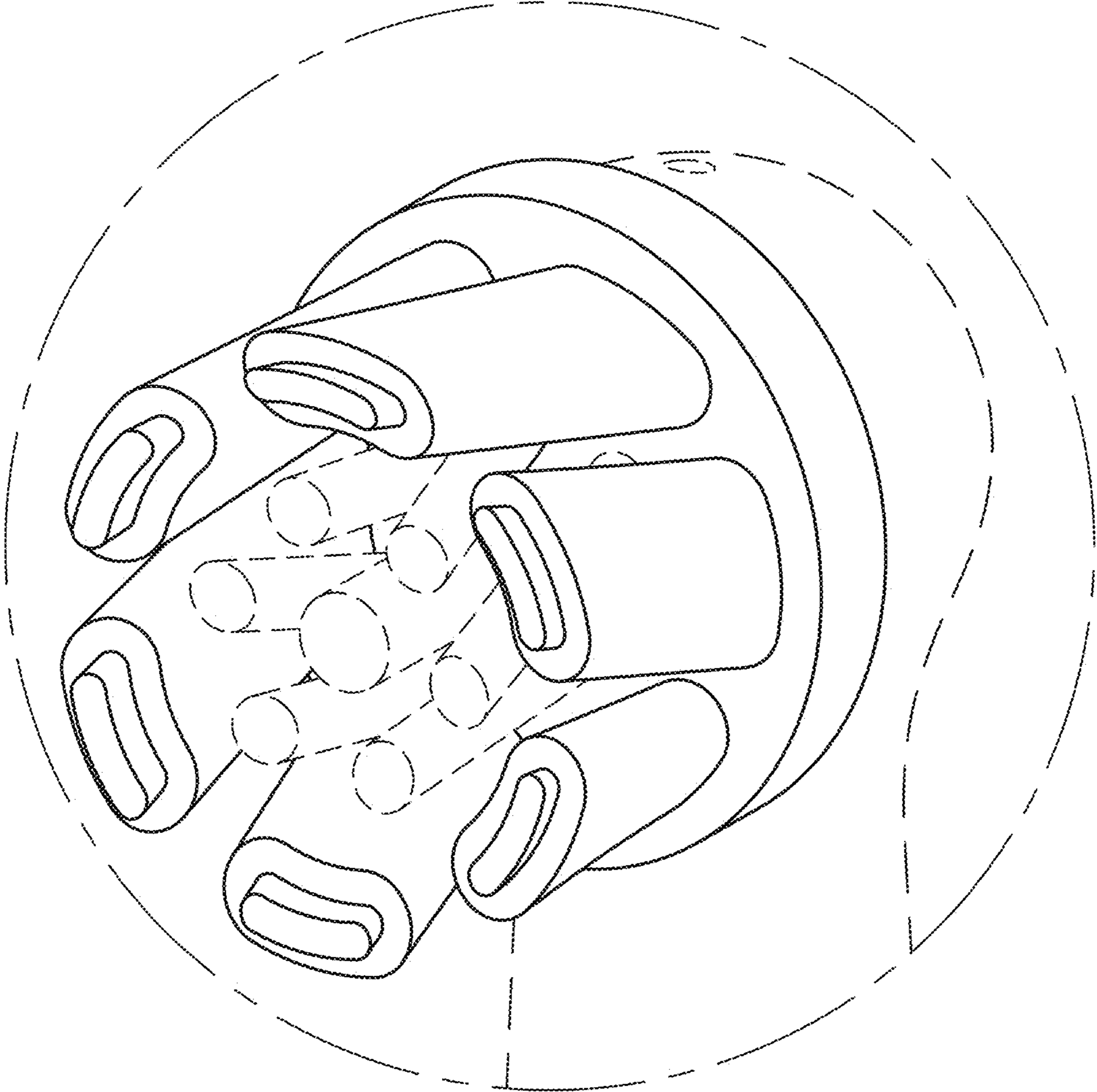


FIG. 8



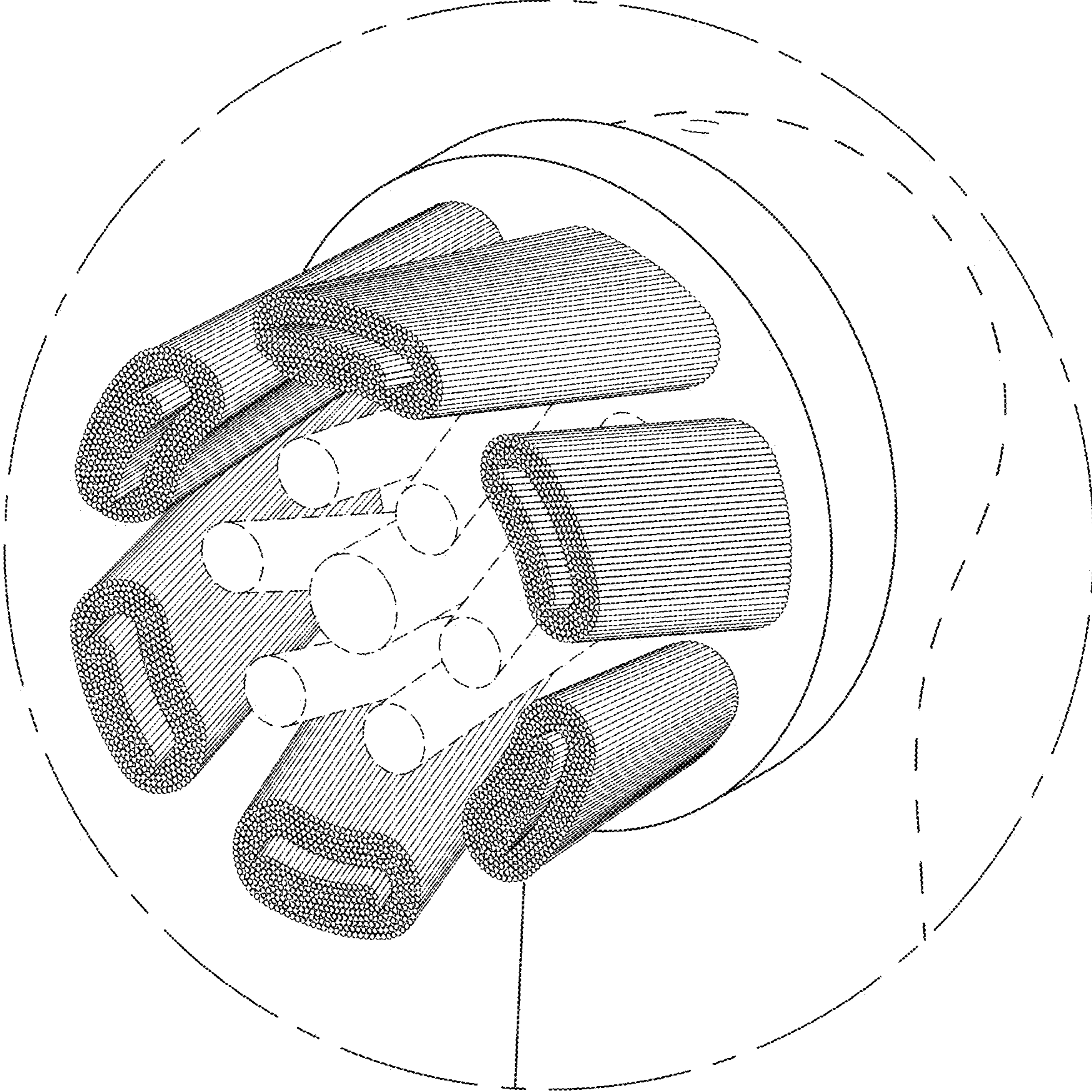


FIG. 9

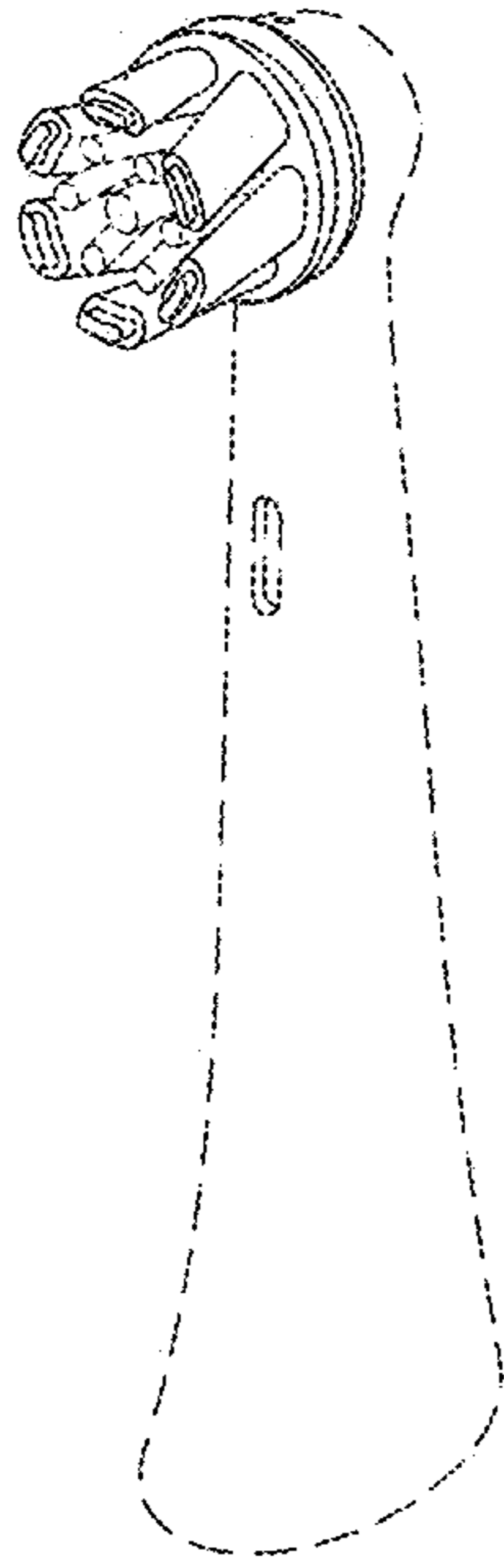


FIG. 10

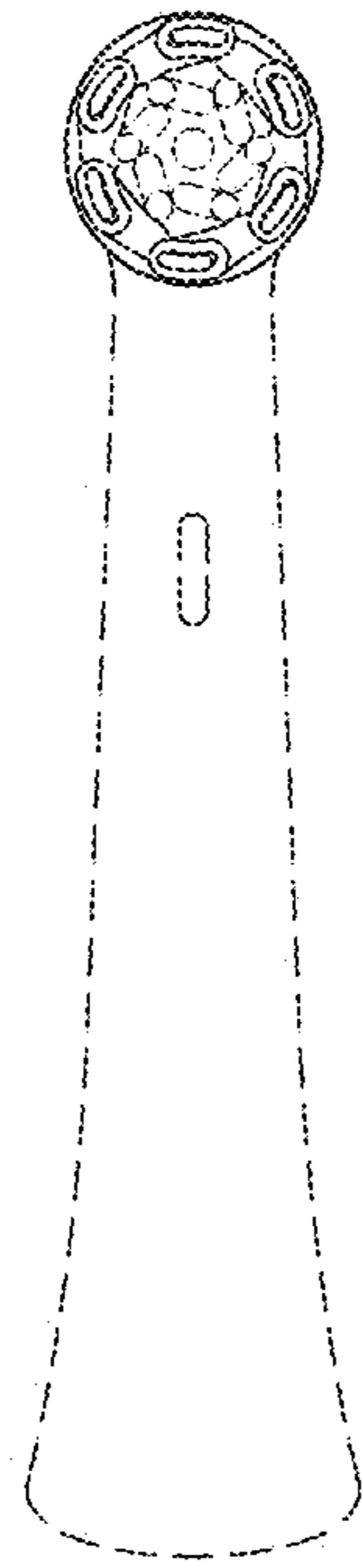


FIG. 11

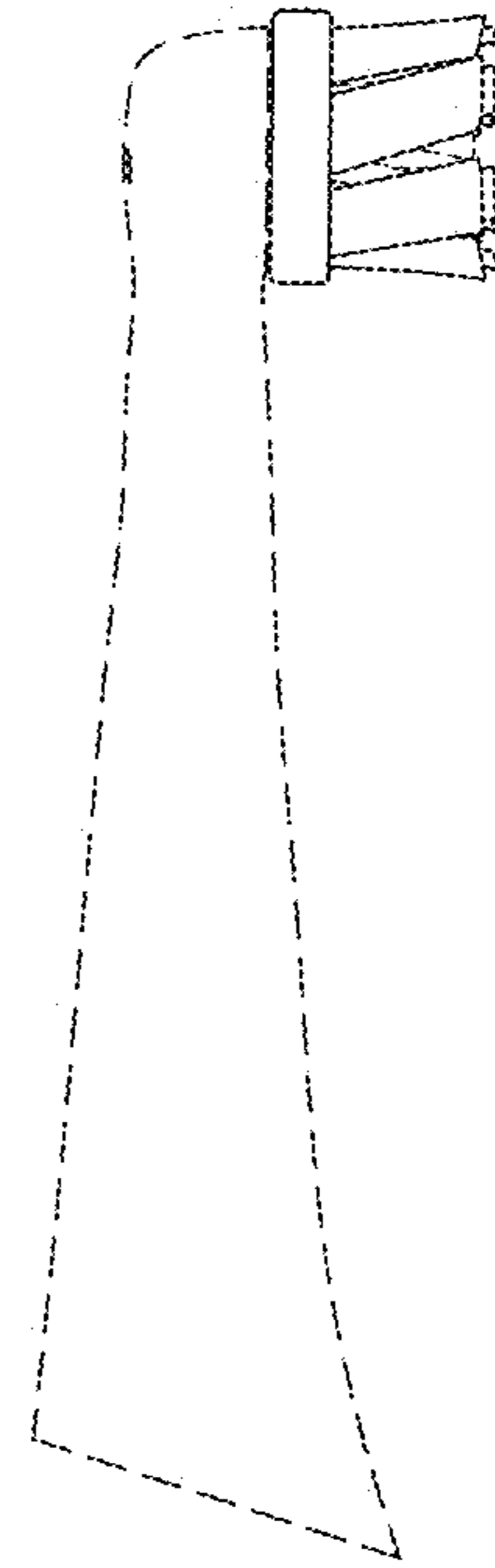


FIG. 12

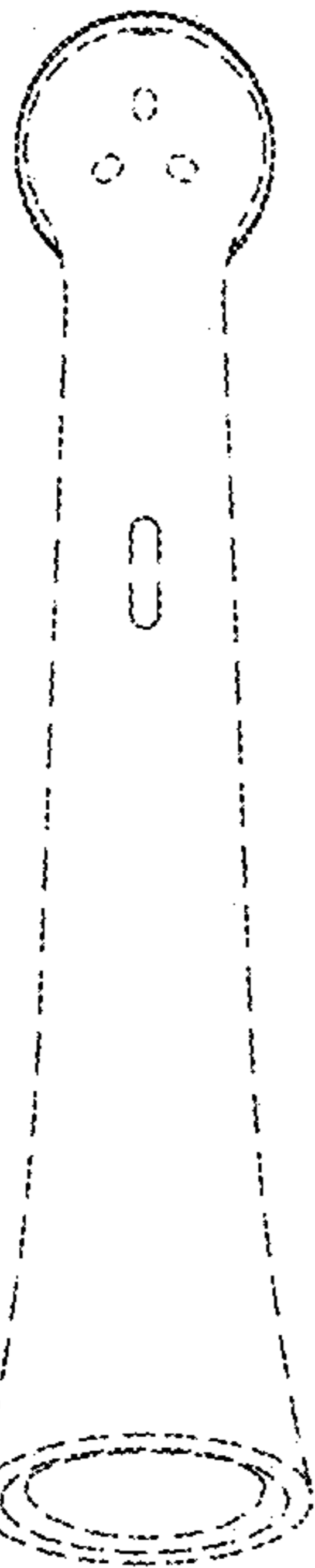


FIG. 13

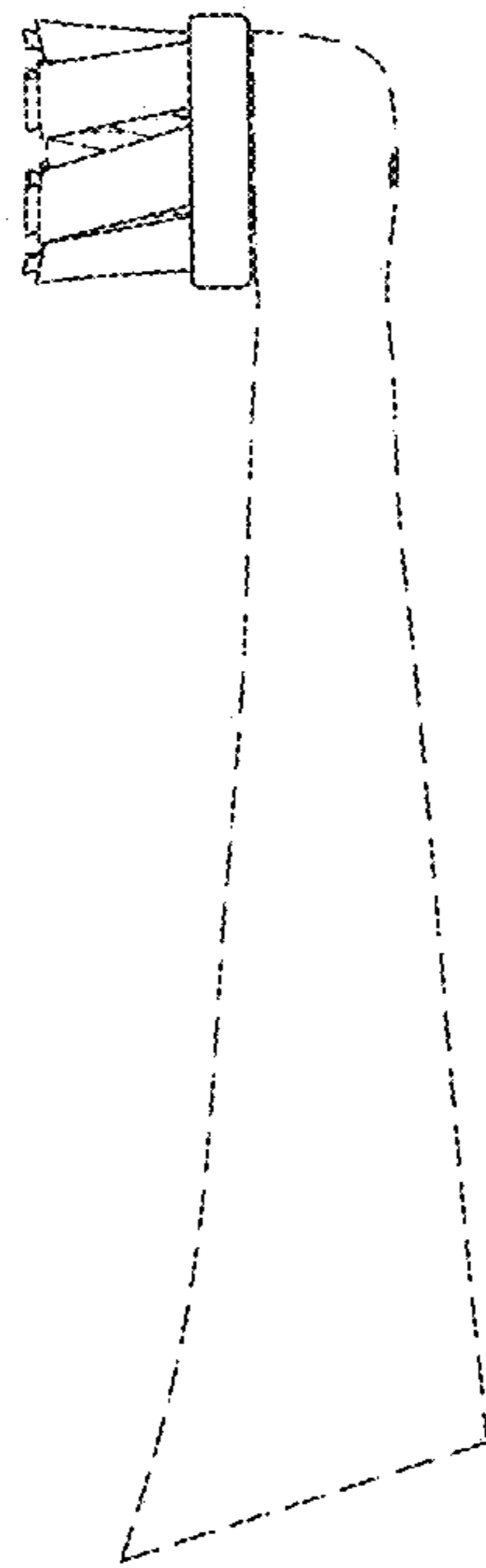


FIG. 14

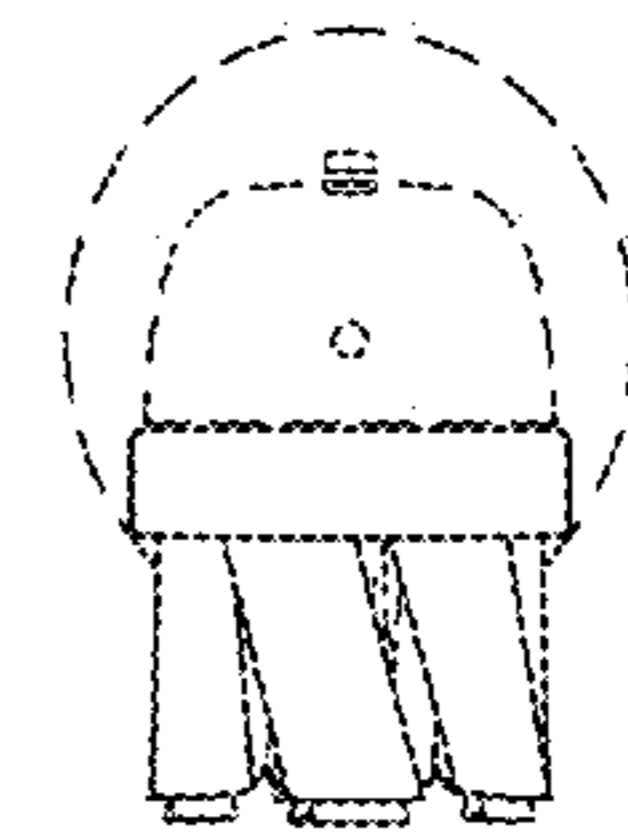


FIG. 15

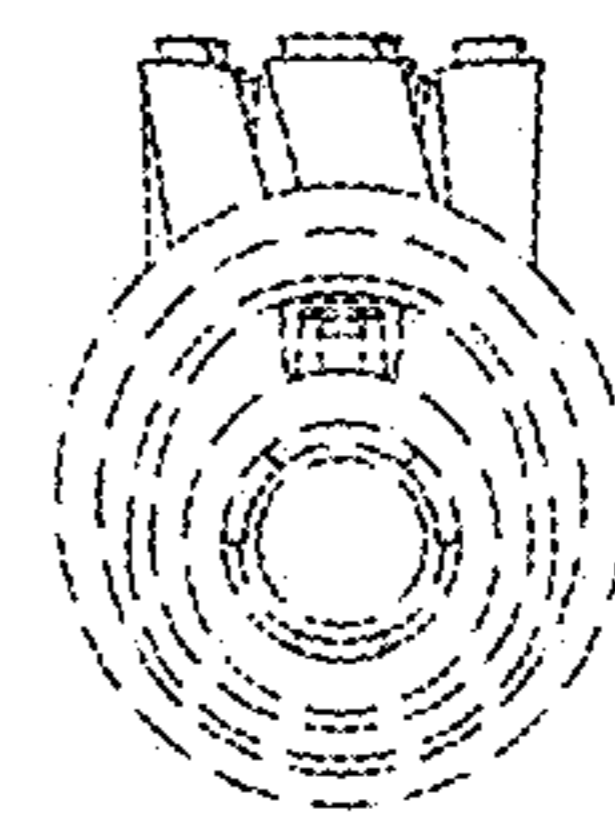


FIG. 16

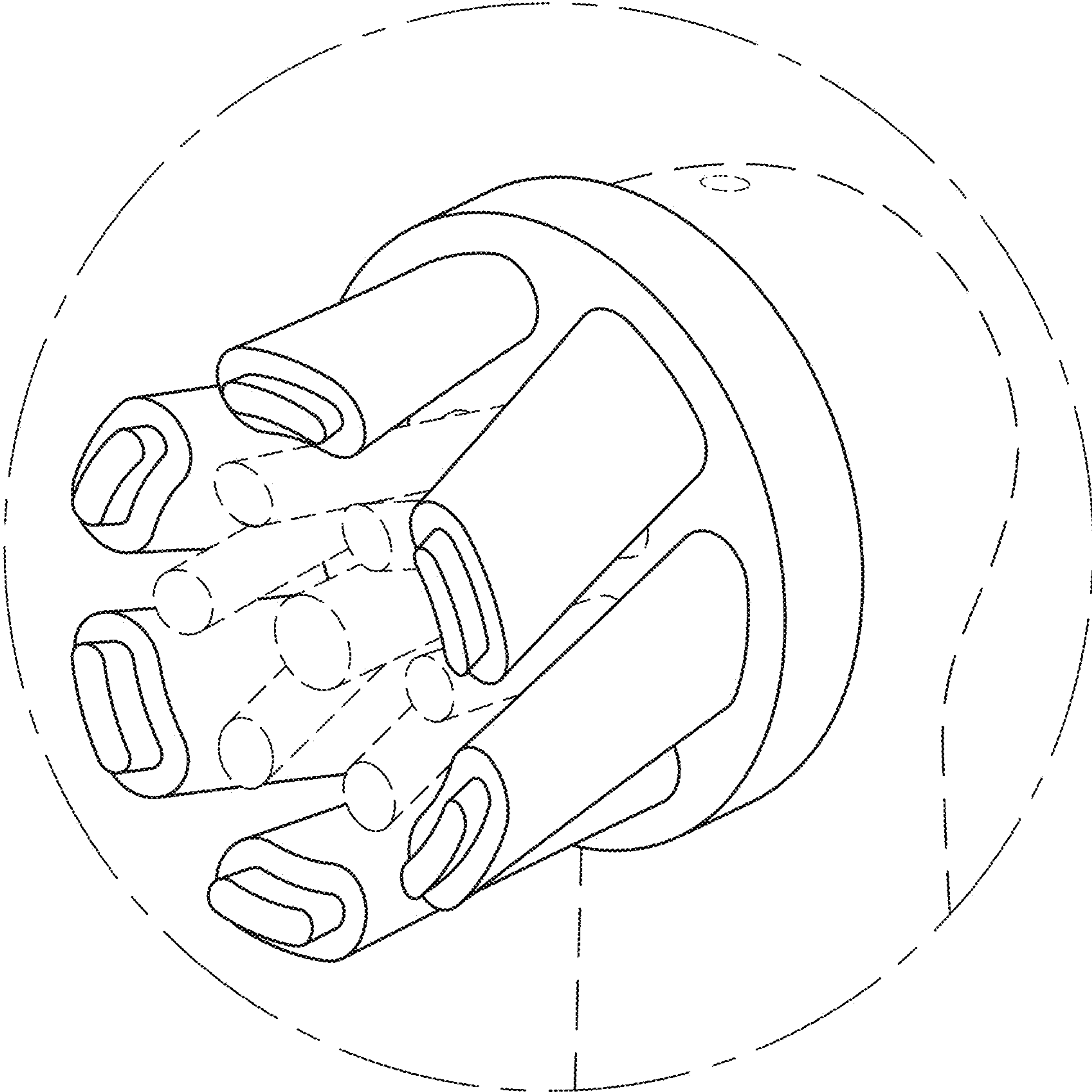


FIG. 17



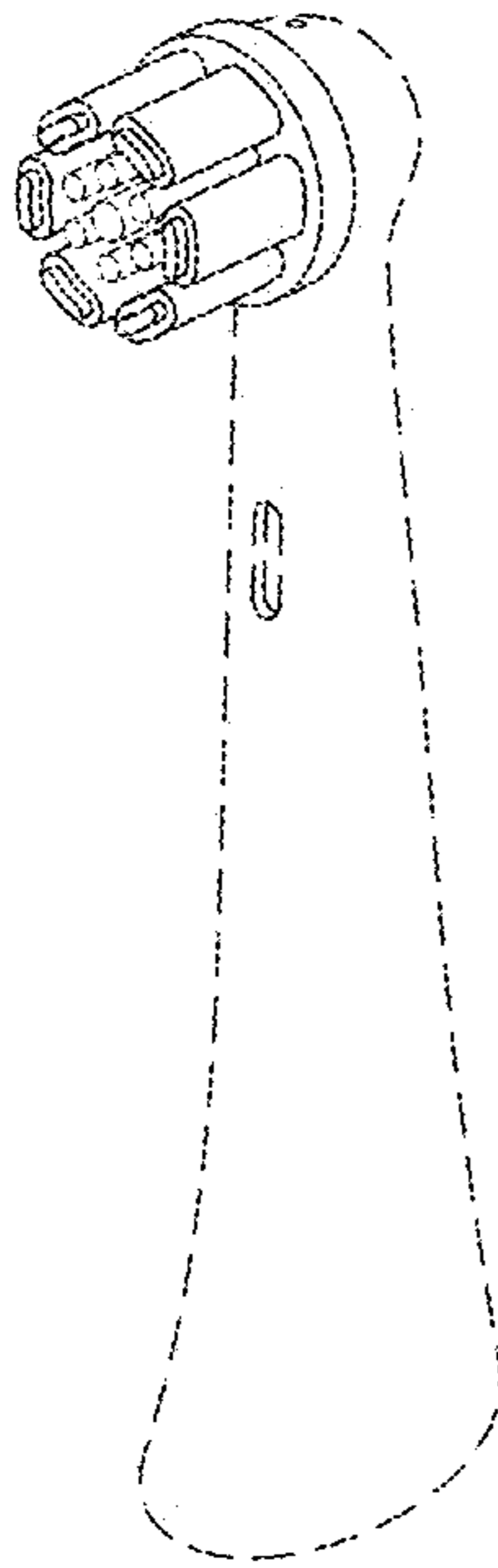


FIG. 18

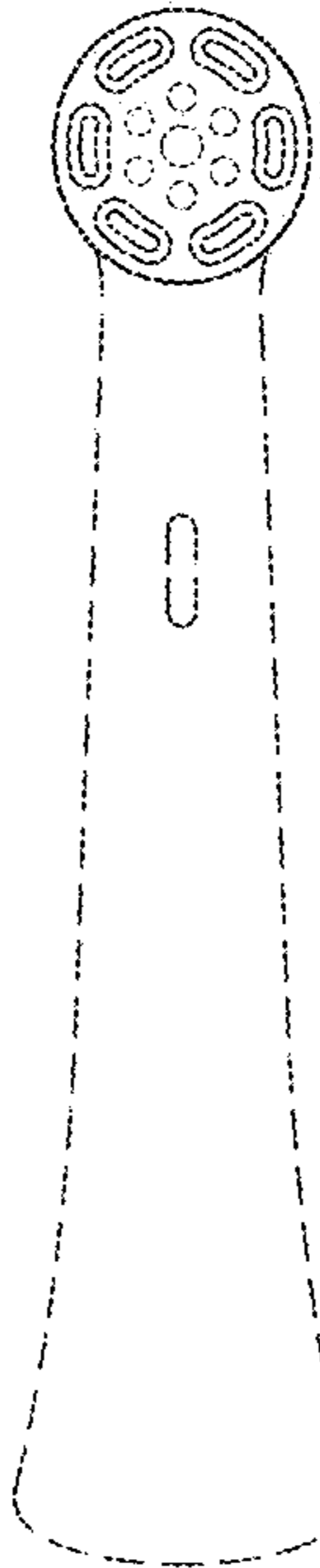


FIG. 19

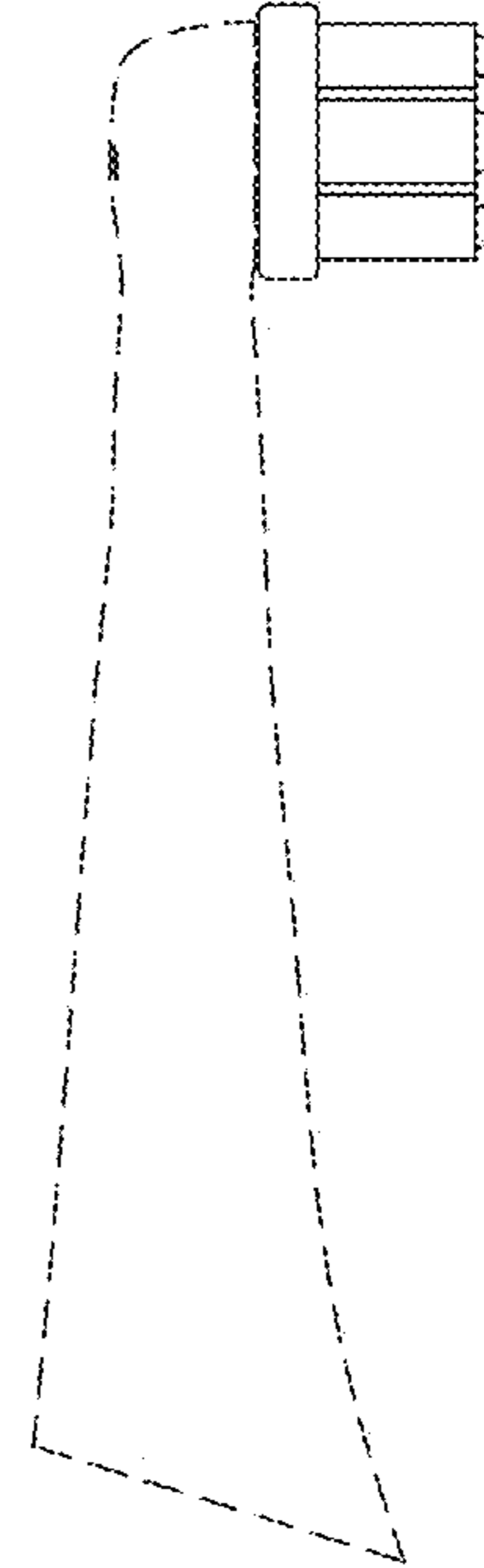


FIG. 20

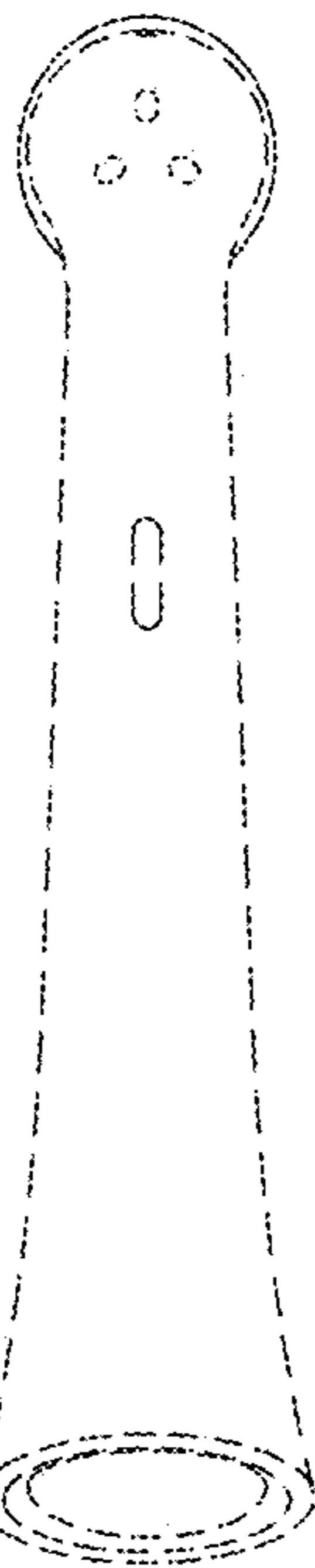


FIG. 21

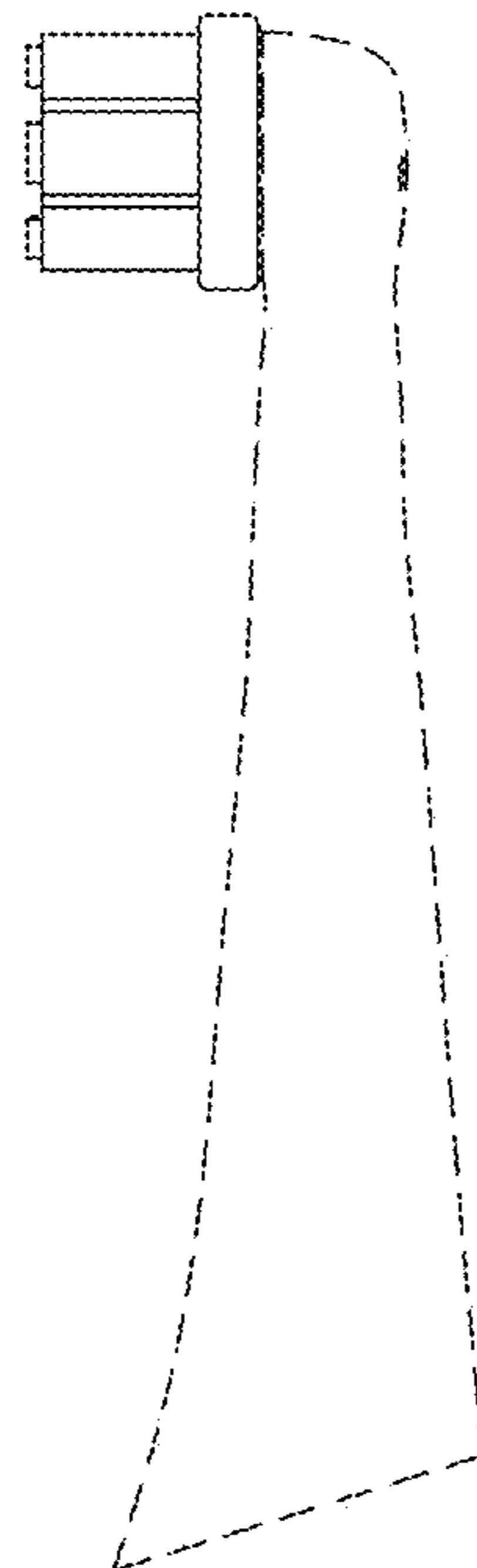


FIG. 22

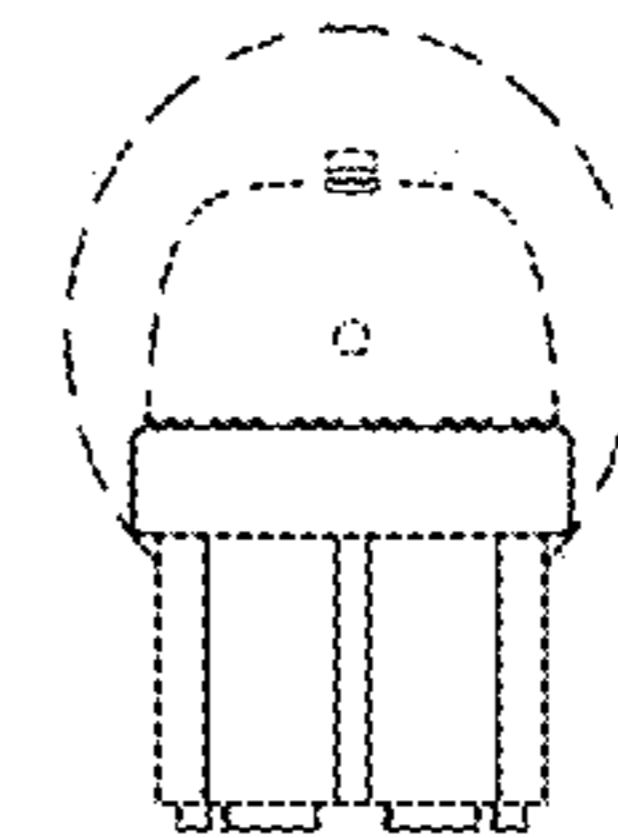


FIG. 23

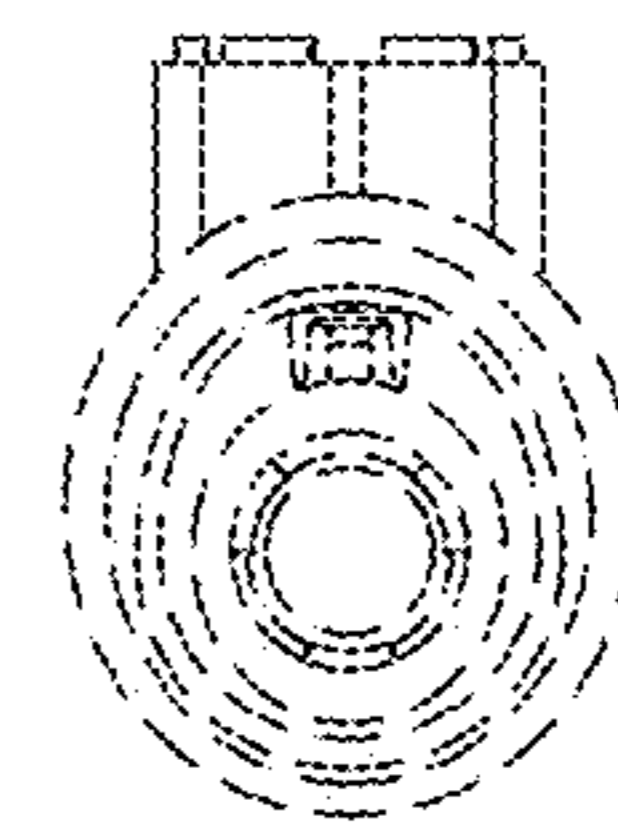


FIG. 24

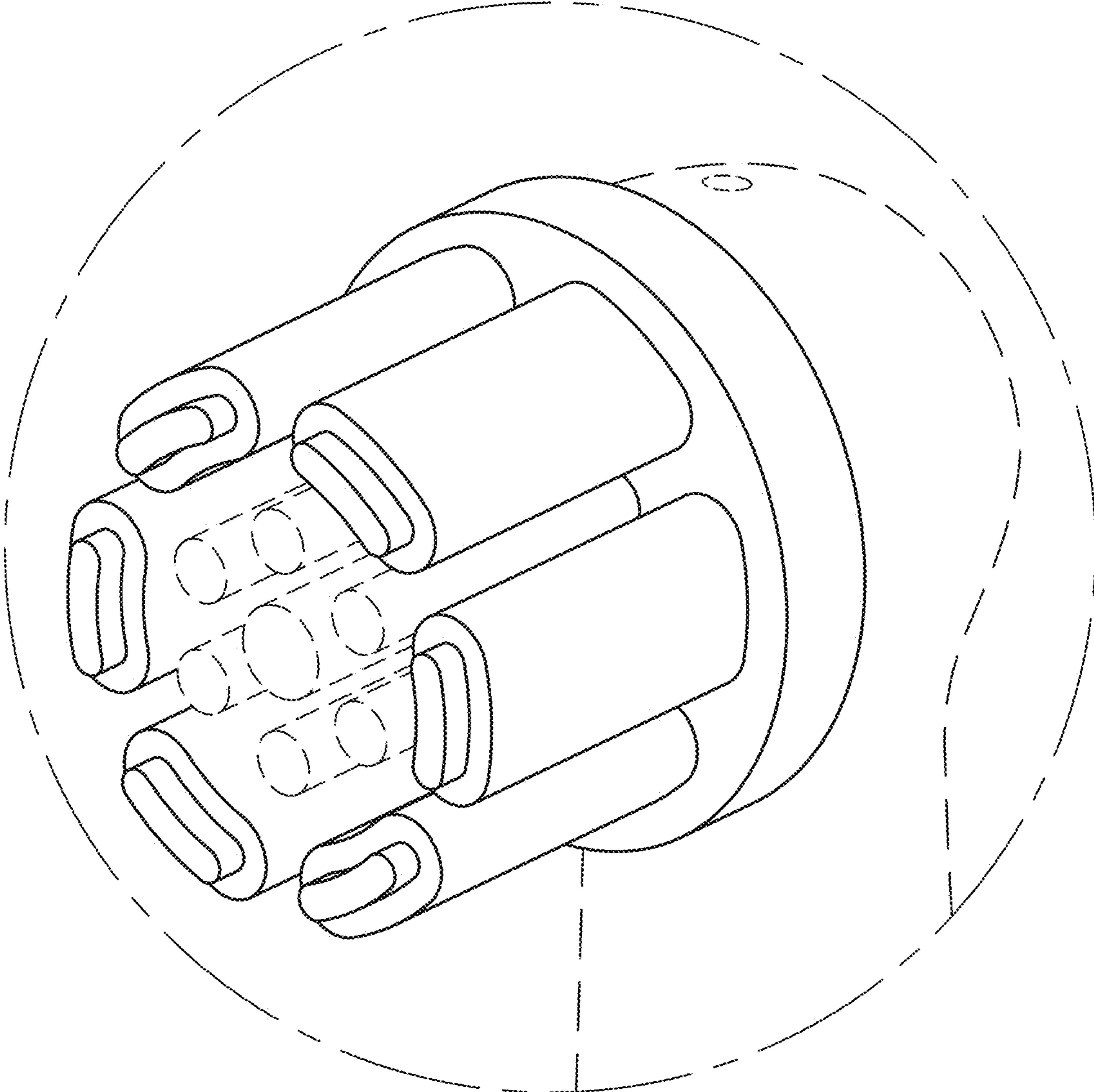


FIG. 25

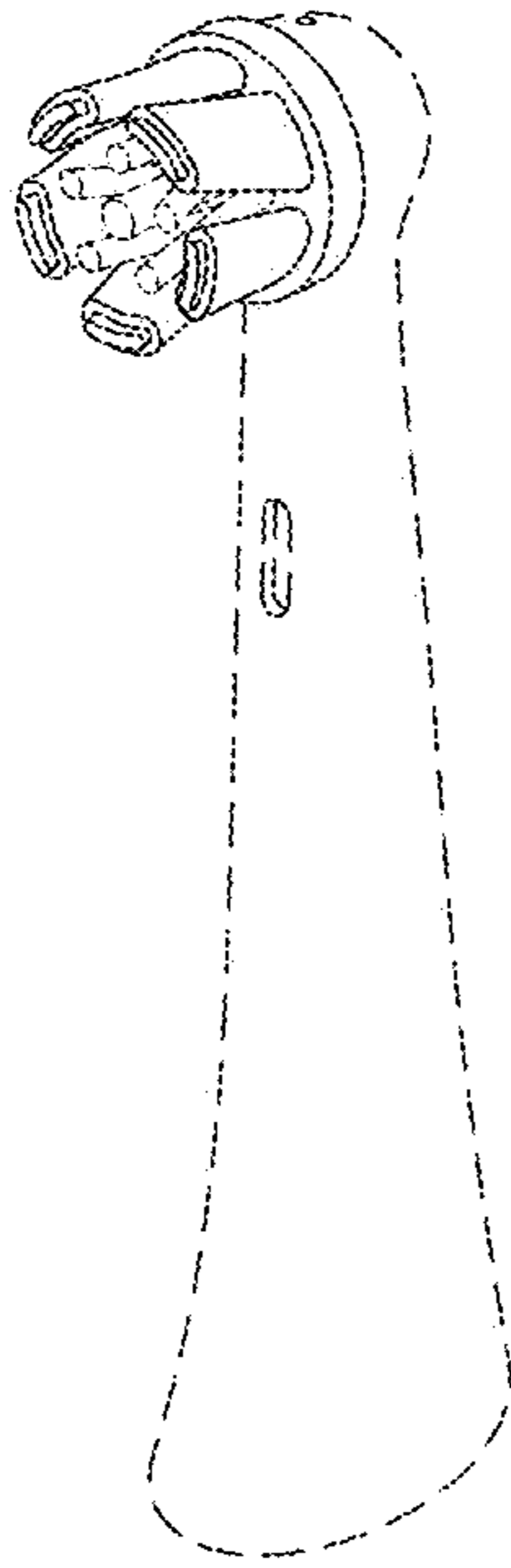


FIG. 26

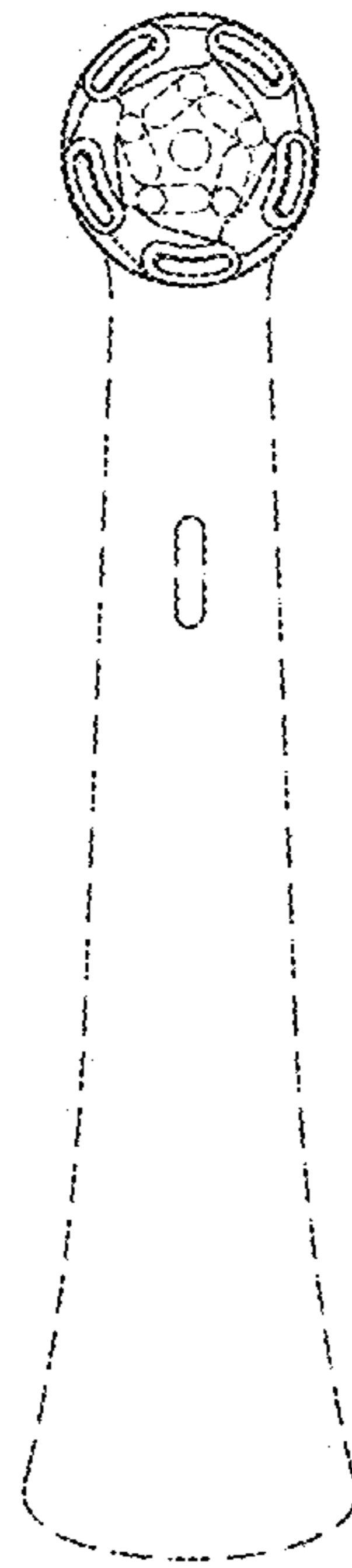


FIG. 27

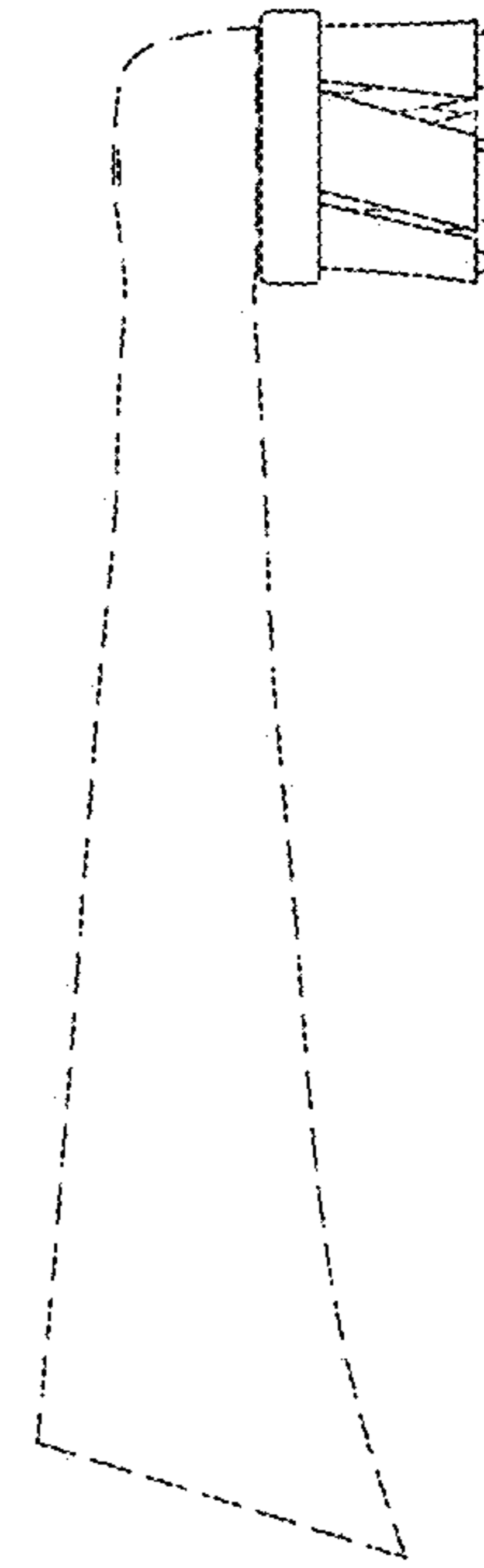


FIG. 28

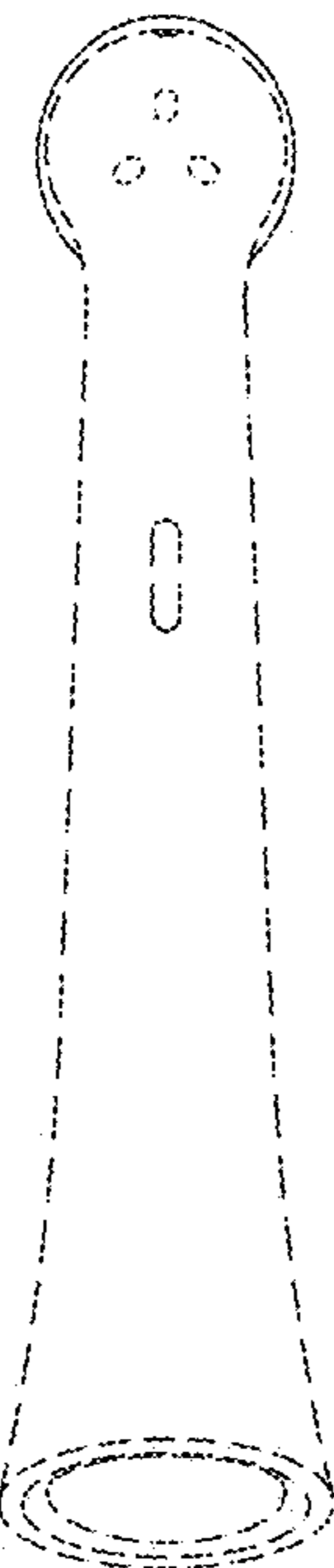


FIG. 29

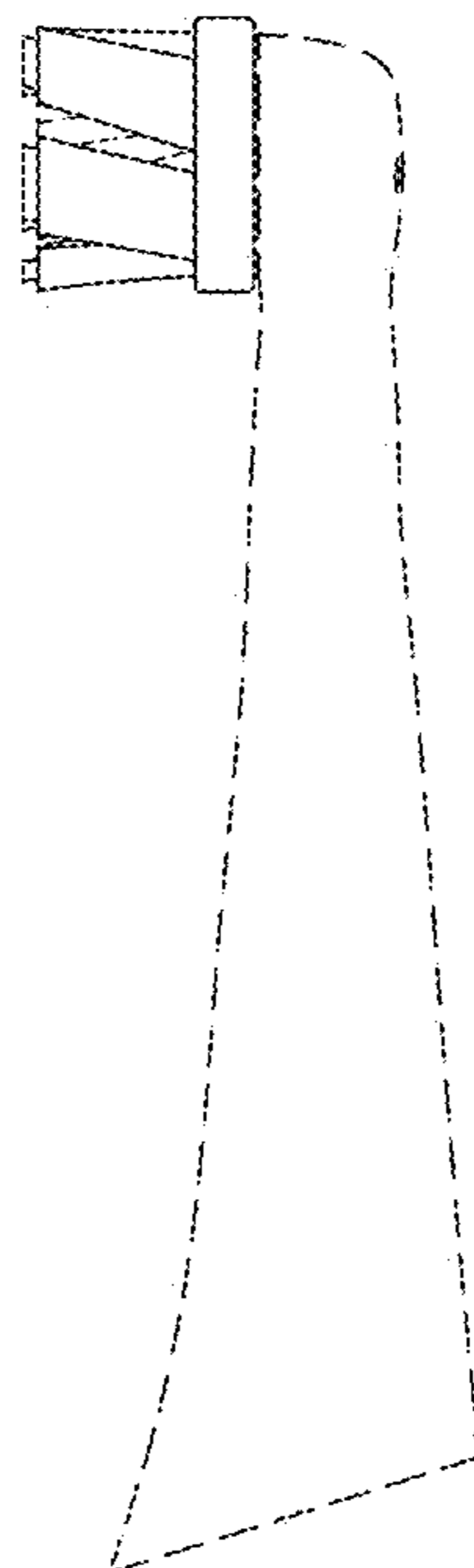


FIG. 30

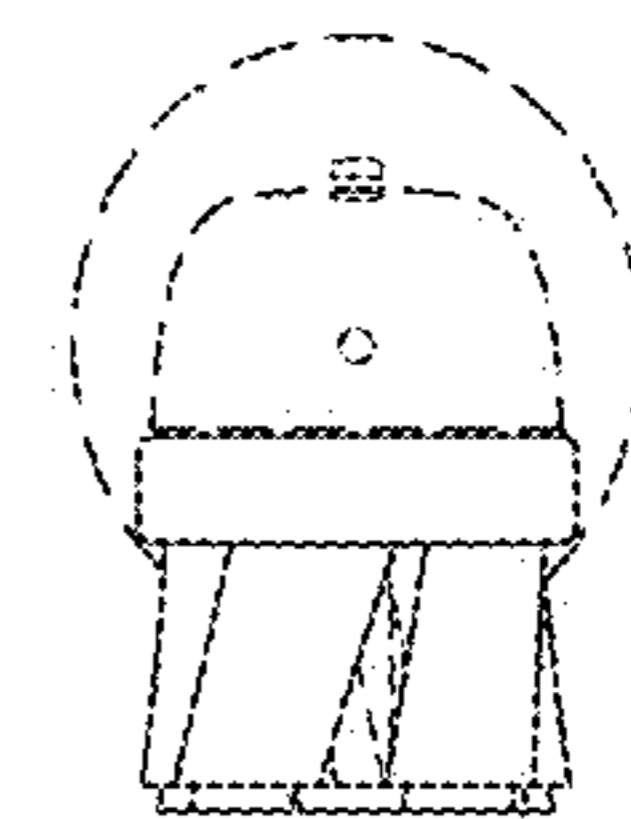


FIG. 31

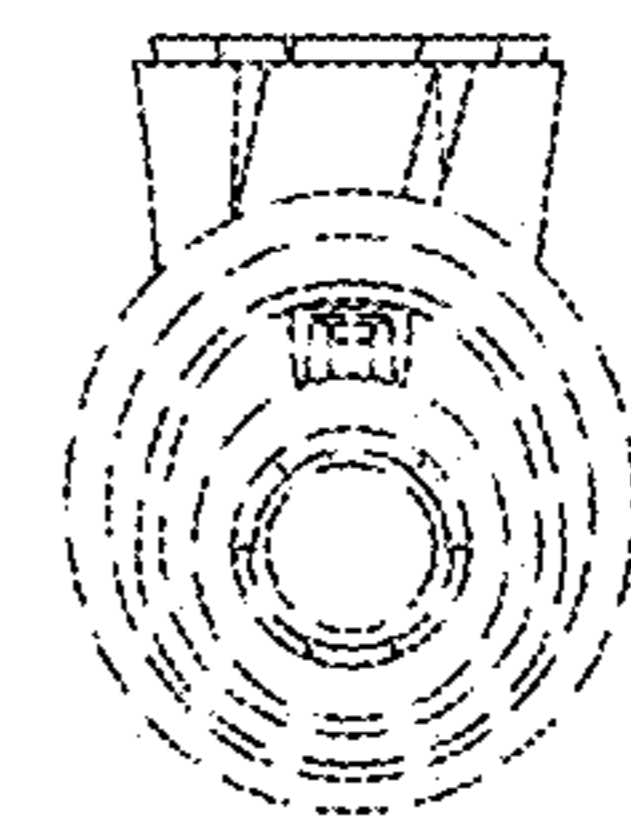


FIG. 32



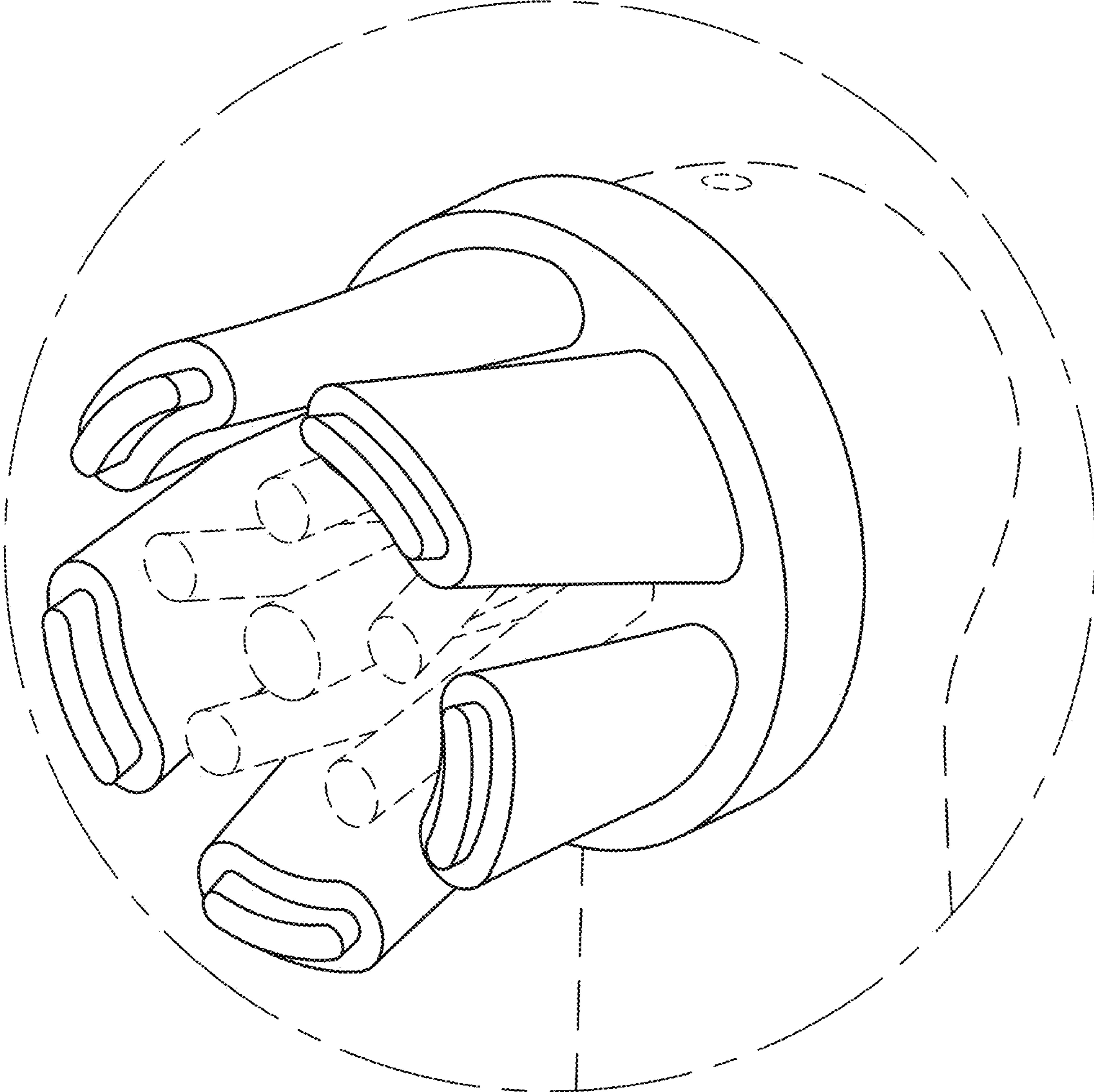


FIG. 33

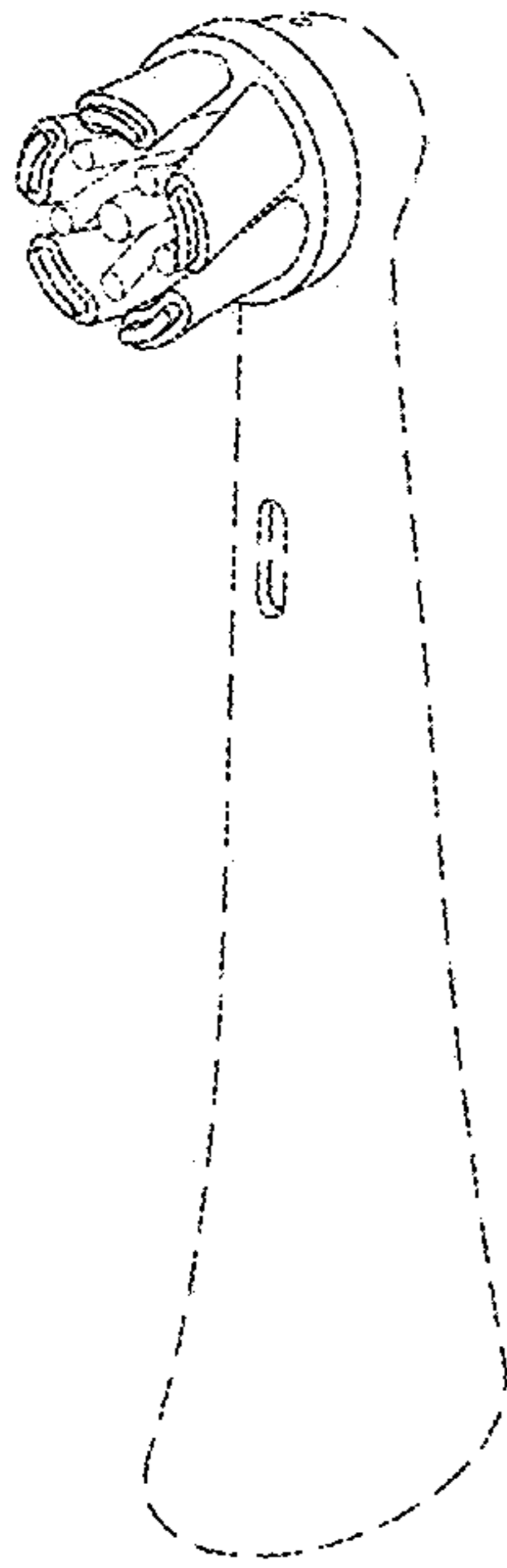


FIG. 34

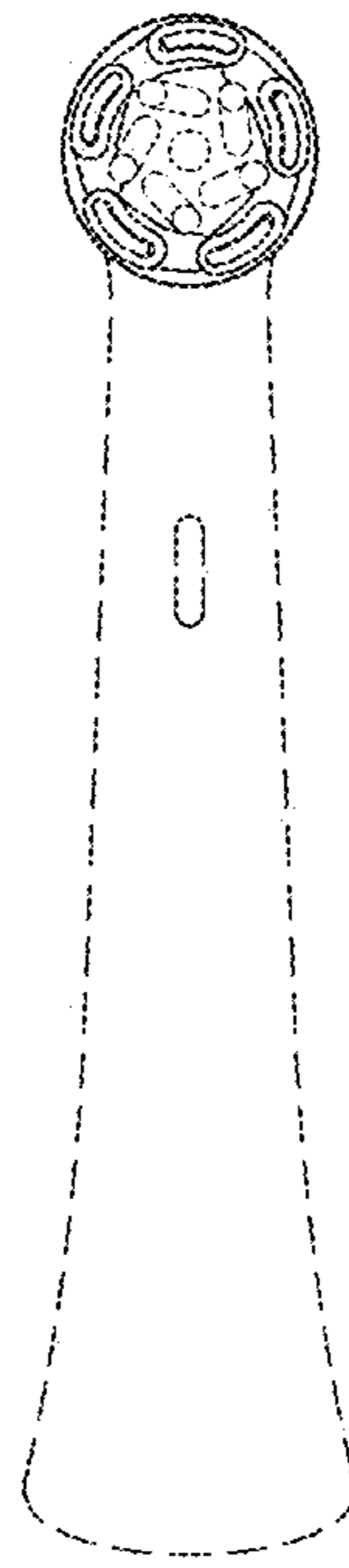


FIG. 35

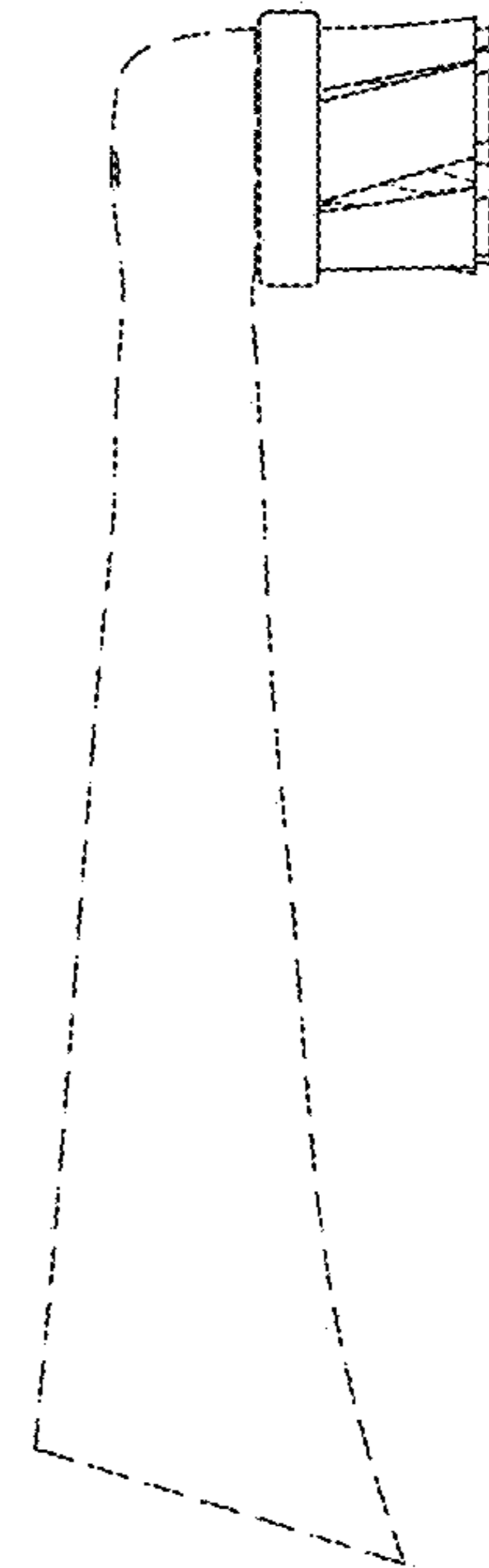


FIG. 36

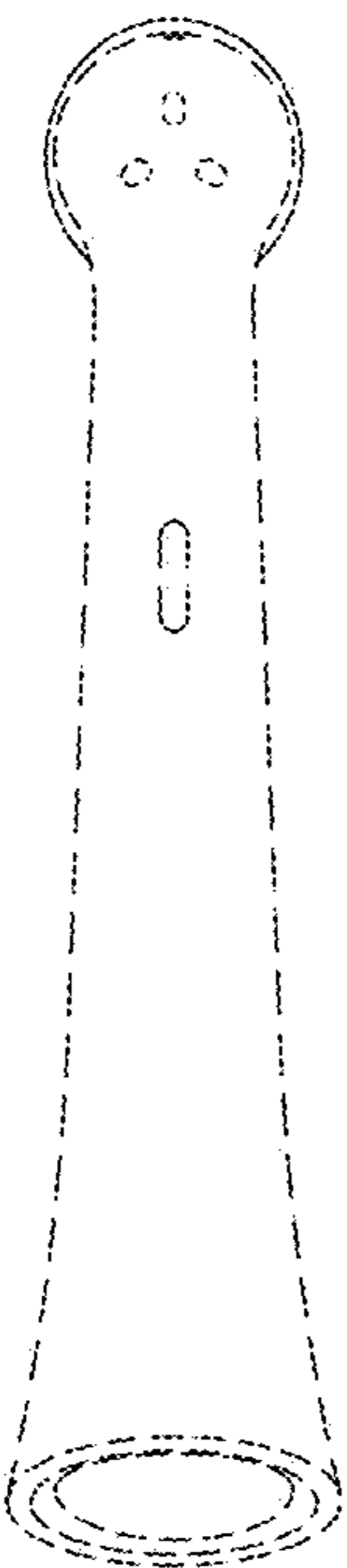


FIG. 37

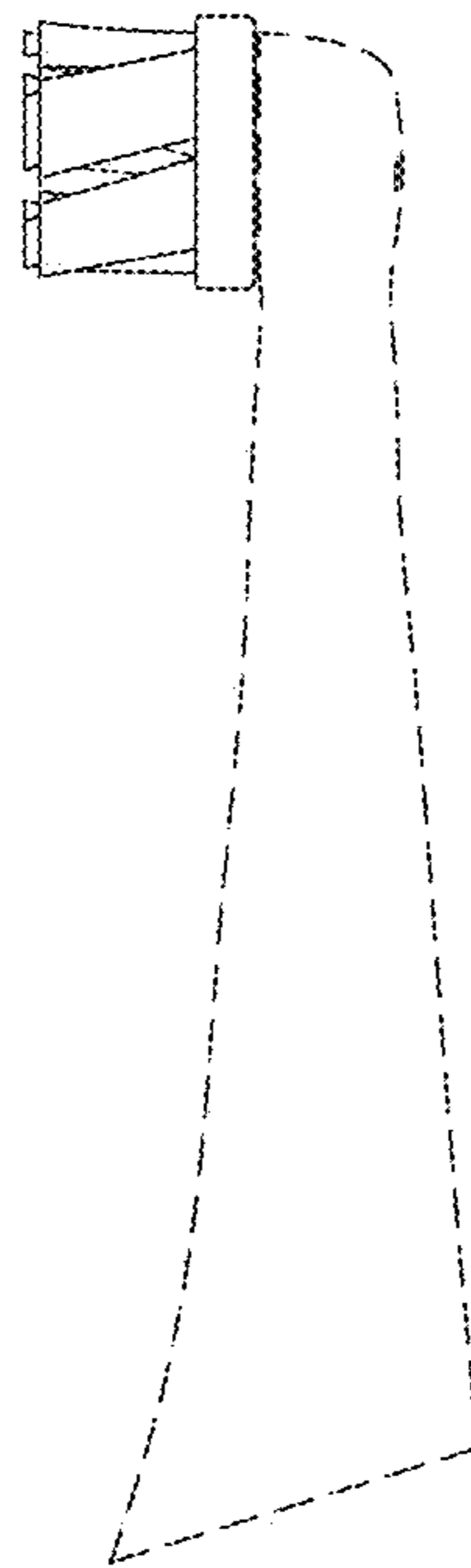


FIG. 38

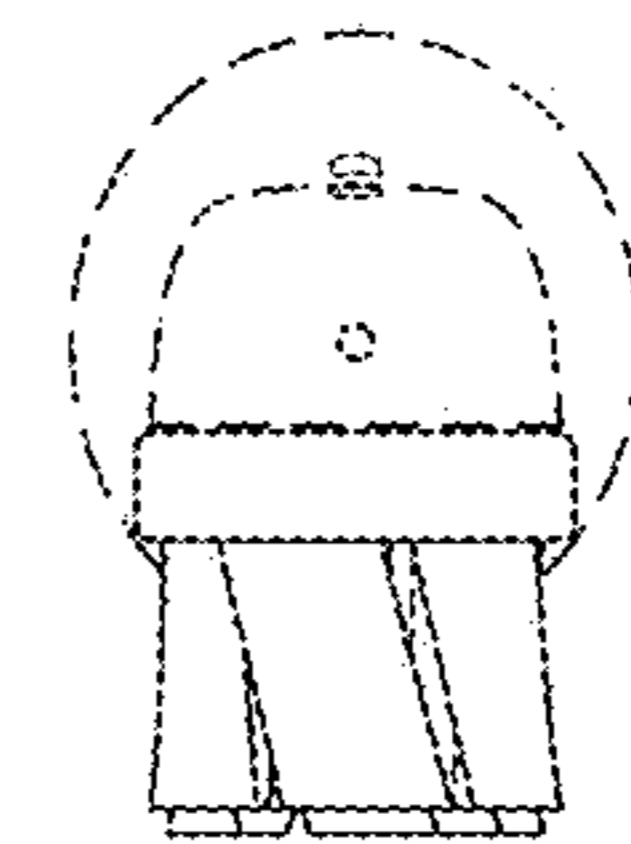


FIG. 39

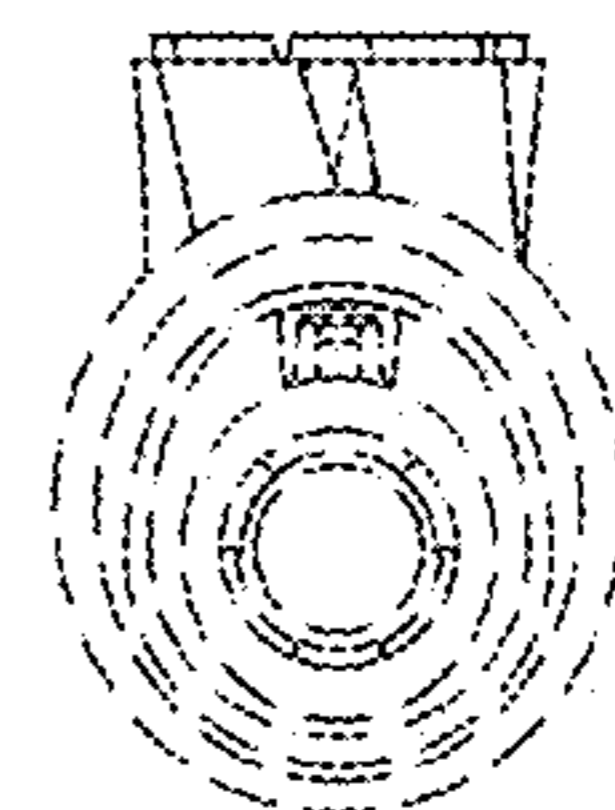


FIG. 40

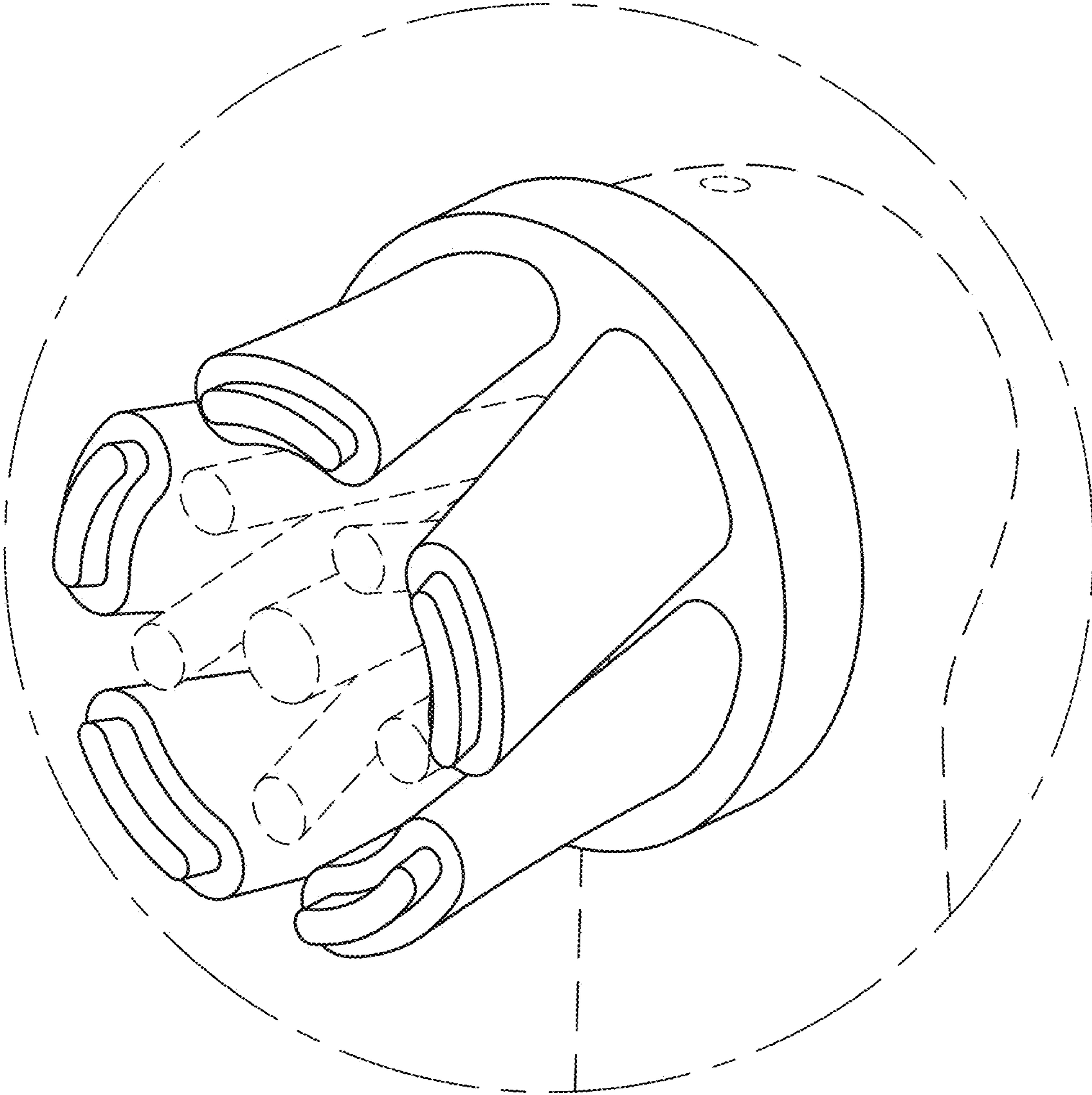


FIG. 41



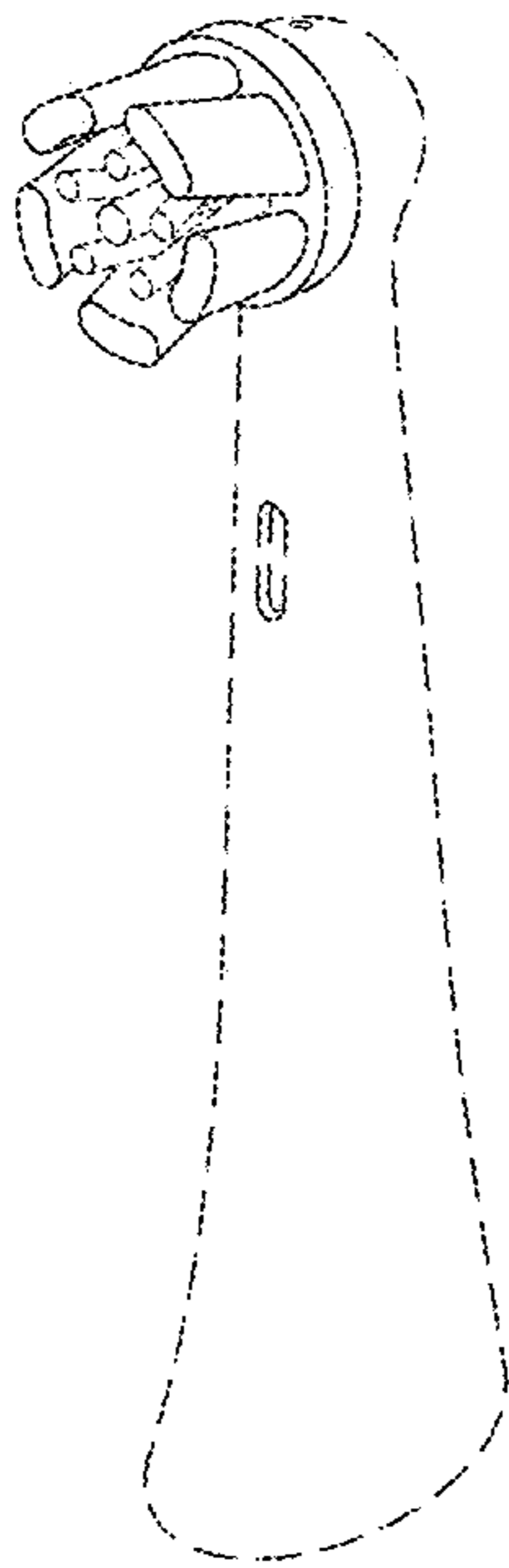


FIG. 42

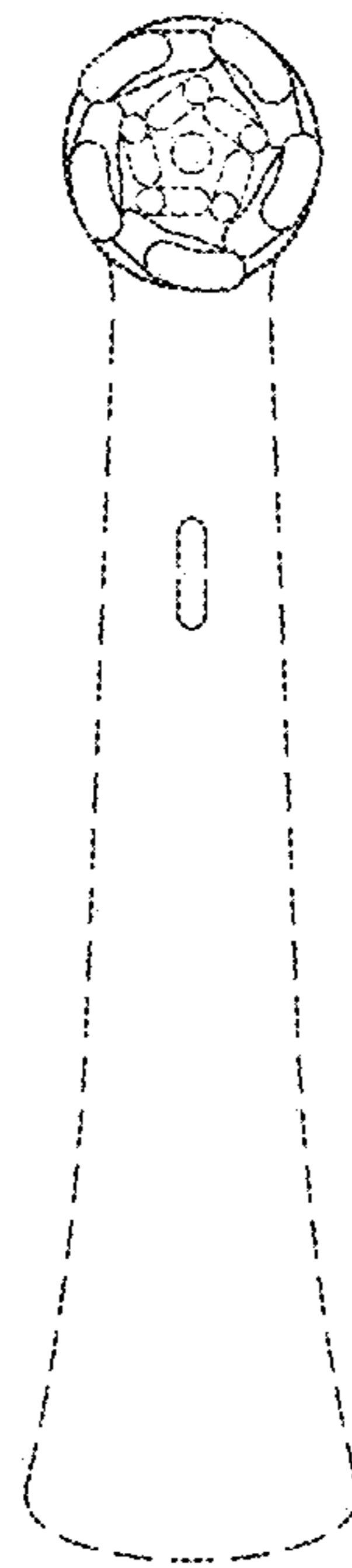


FIG. 43

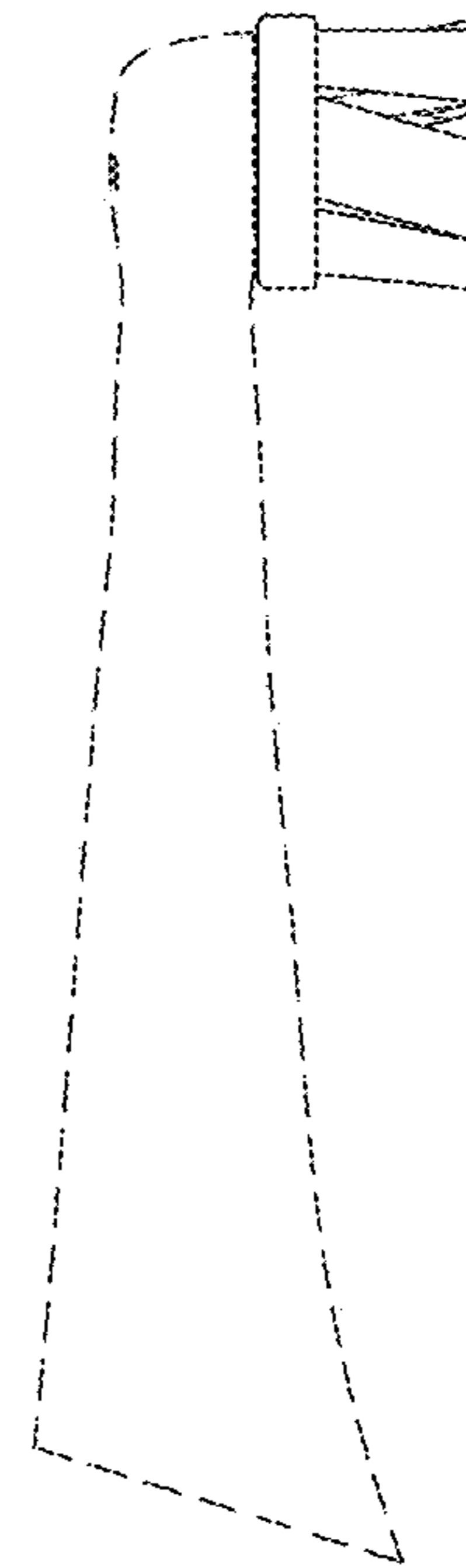


FIG. 44

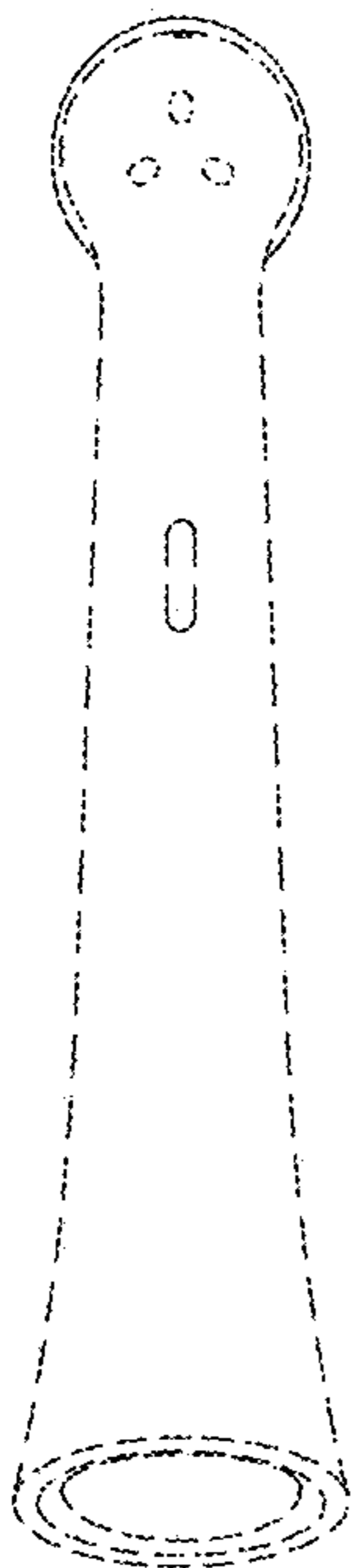


FIG. 45



FIG. 46

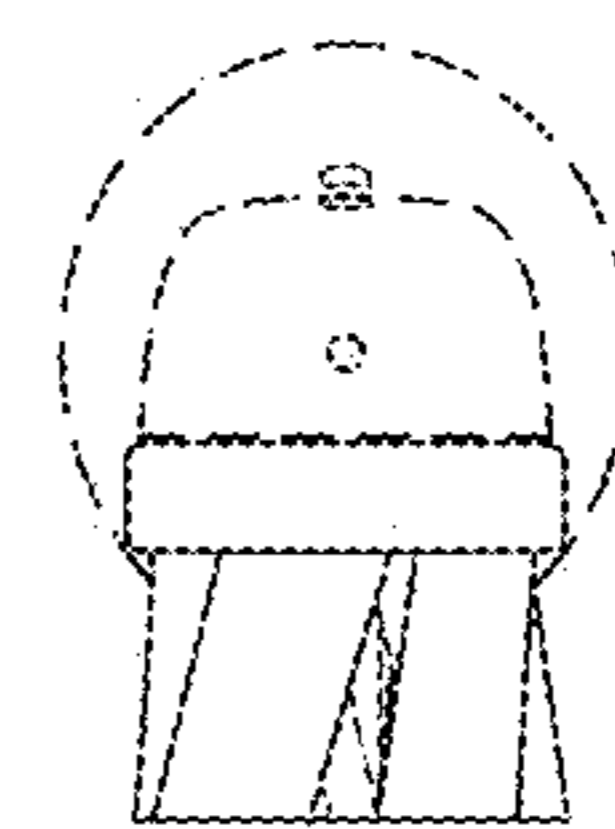


FIG. 47

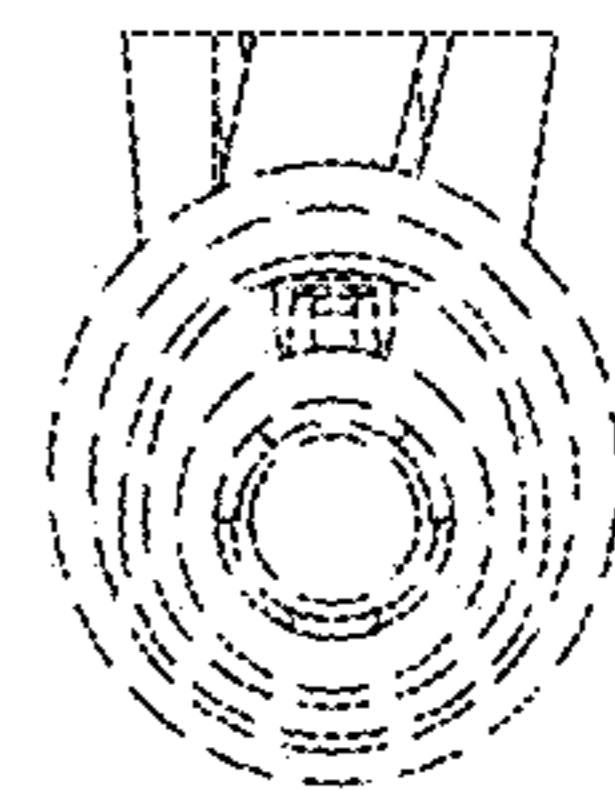


FIG. 48

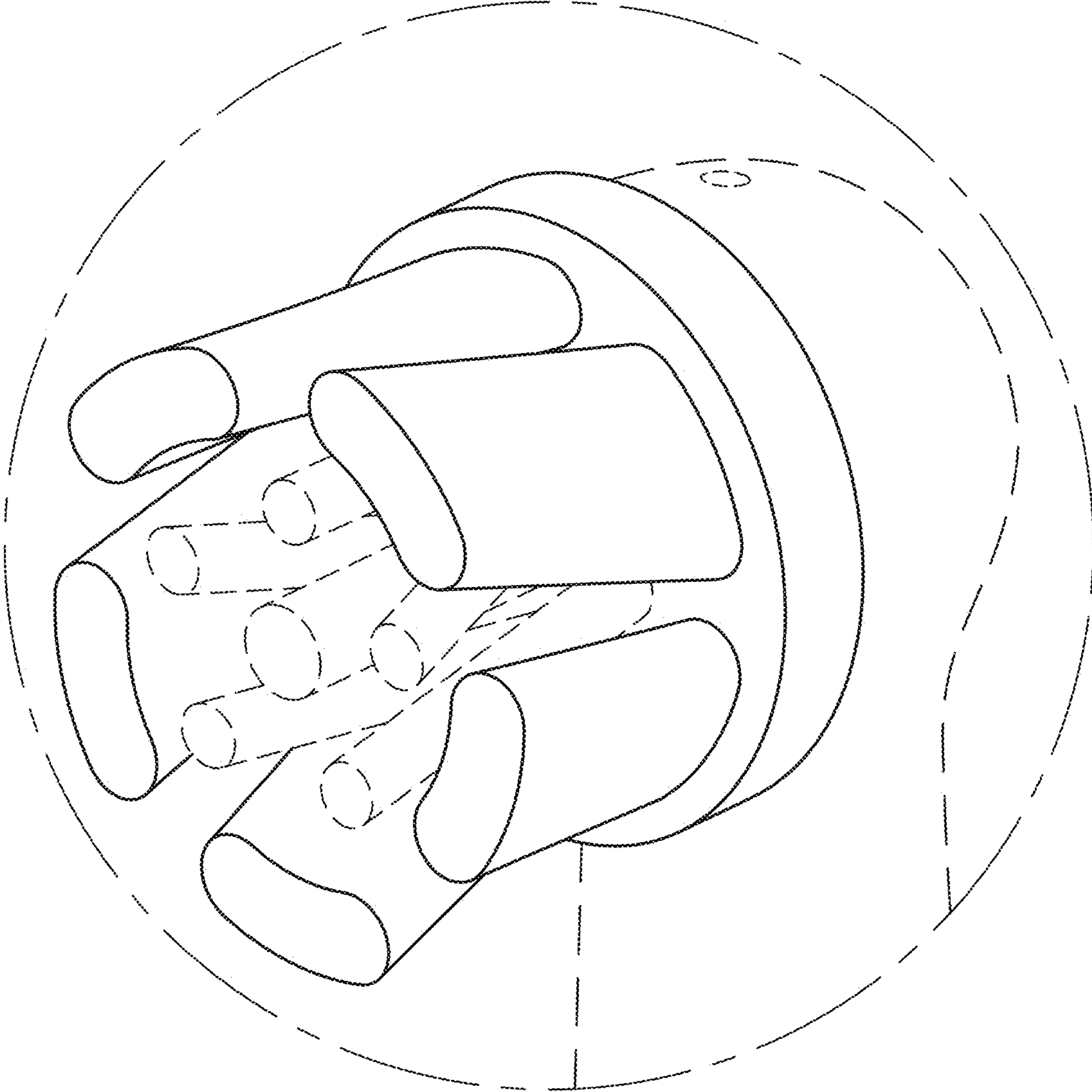


FIG. 49

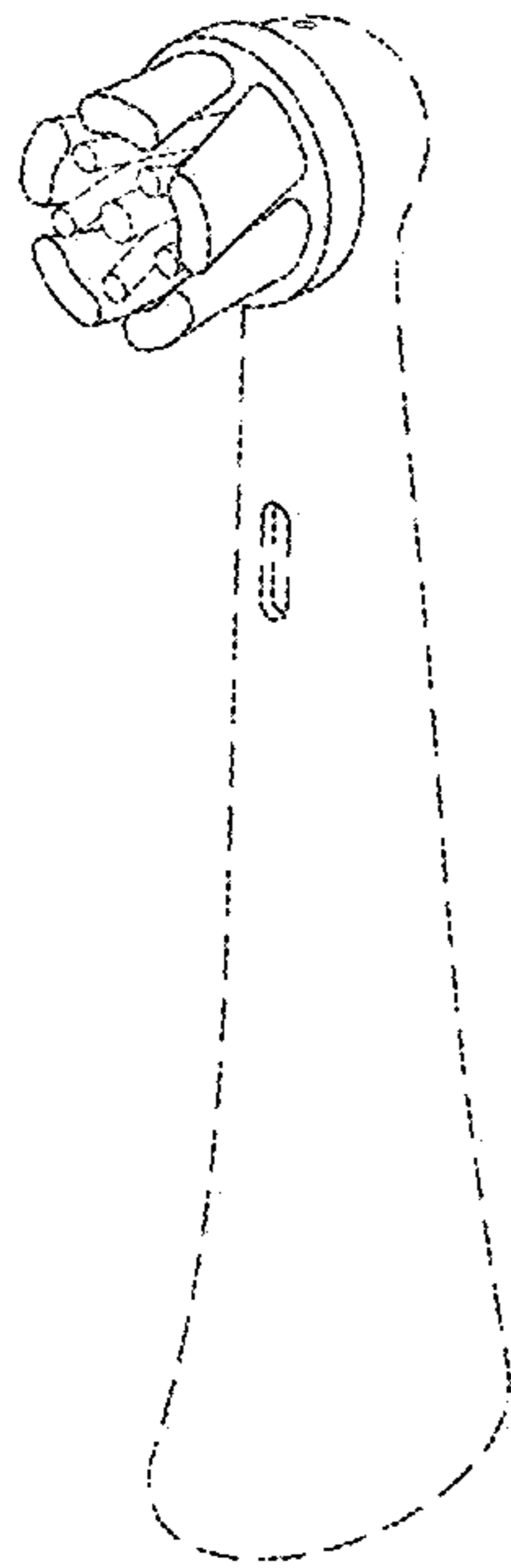


FIG. 50

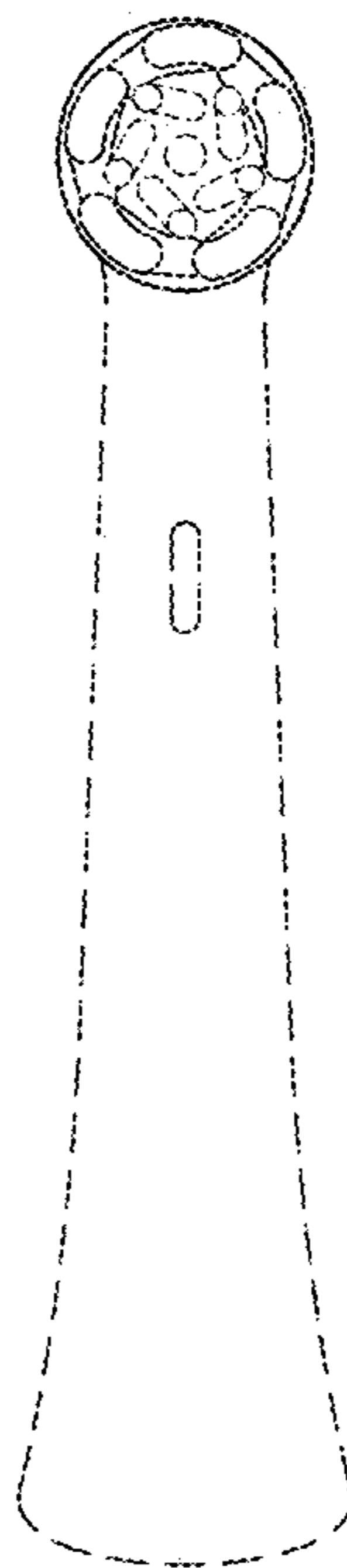


FIG. 51

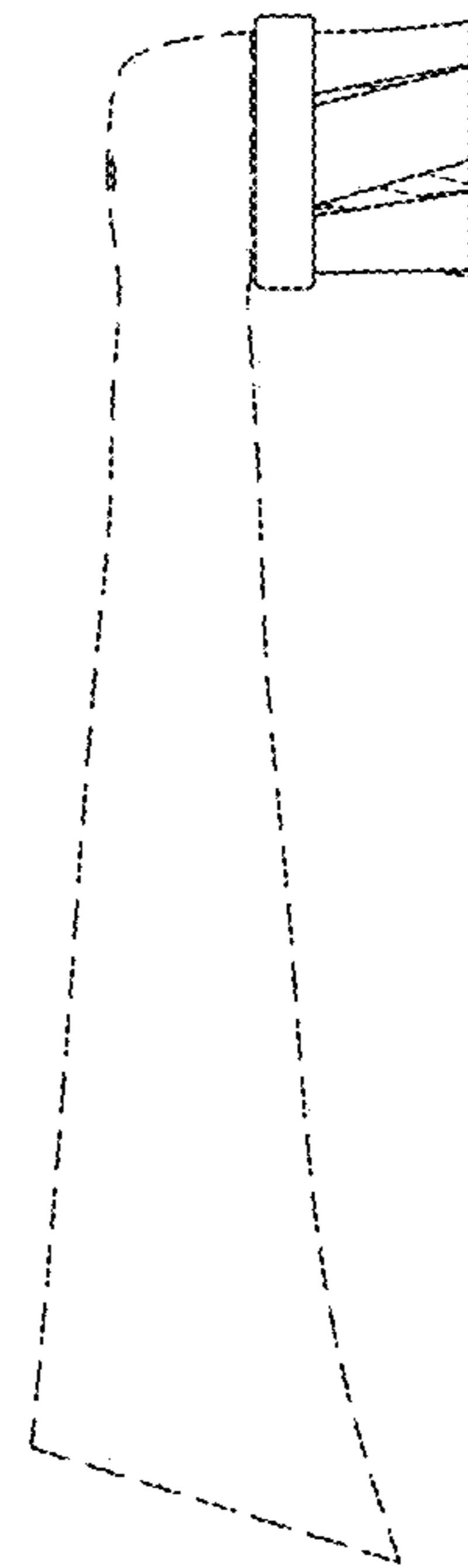


FIG. 52

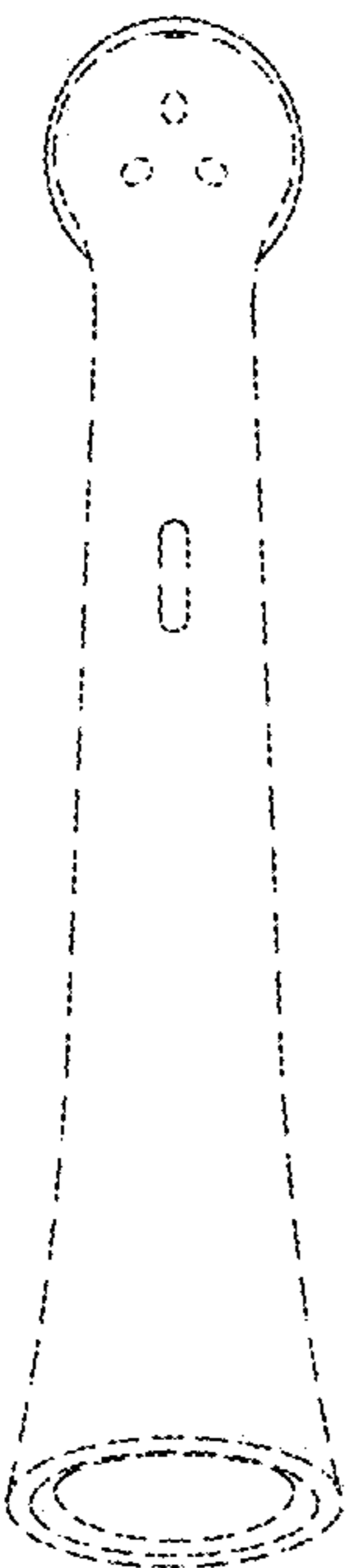


FIG. 53

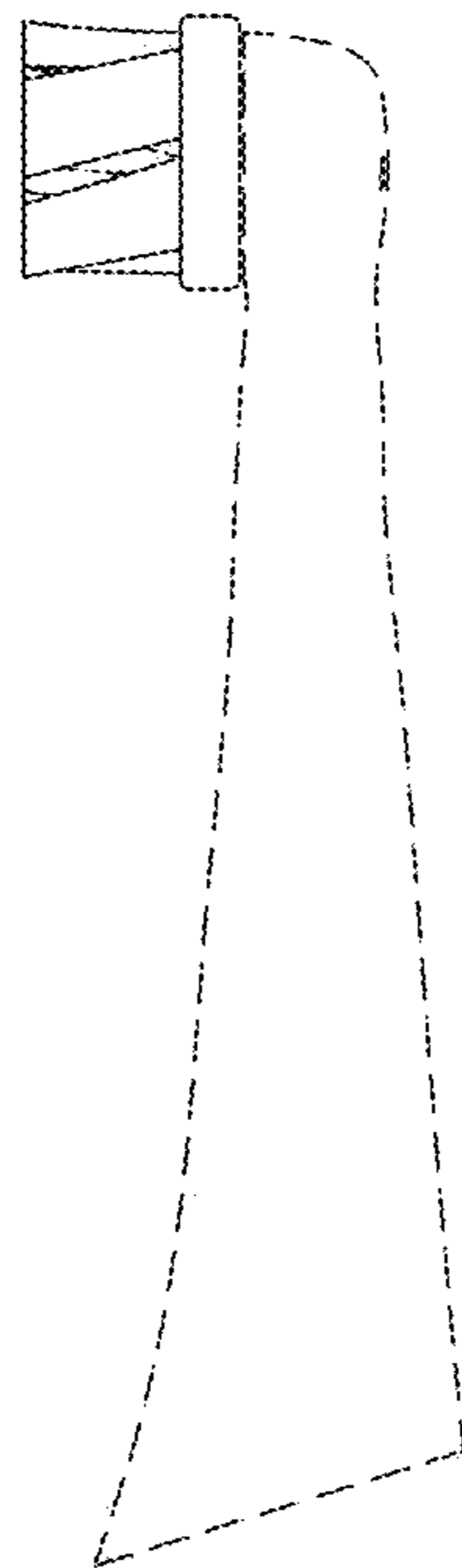


FIG. 54

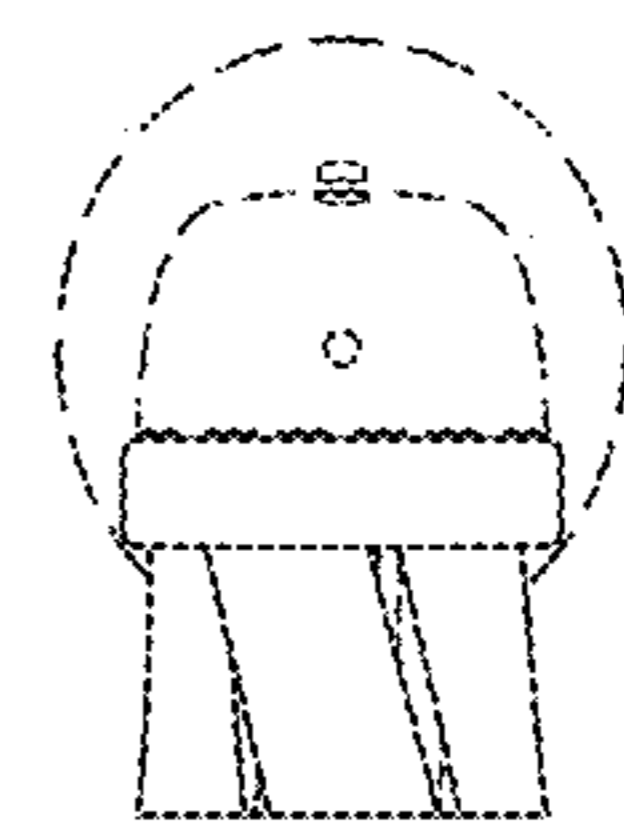


FIG. 55

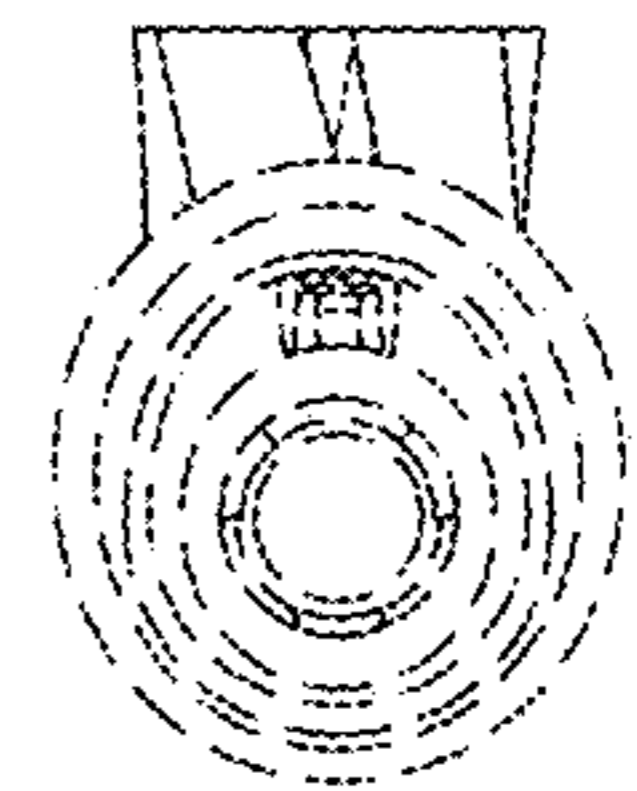


FIG. 56



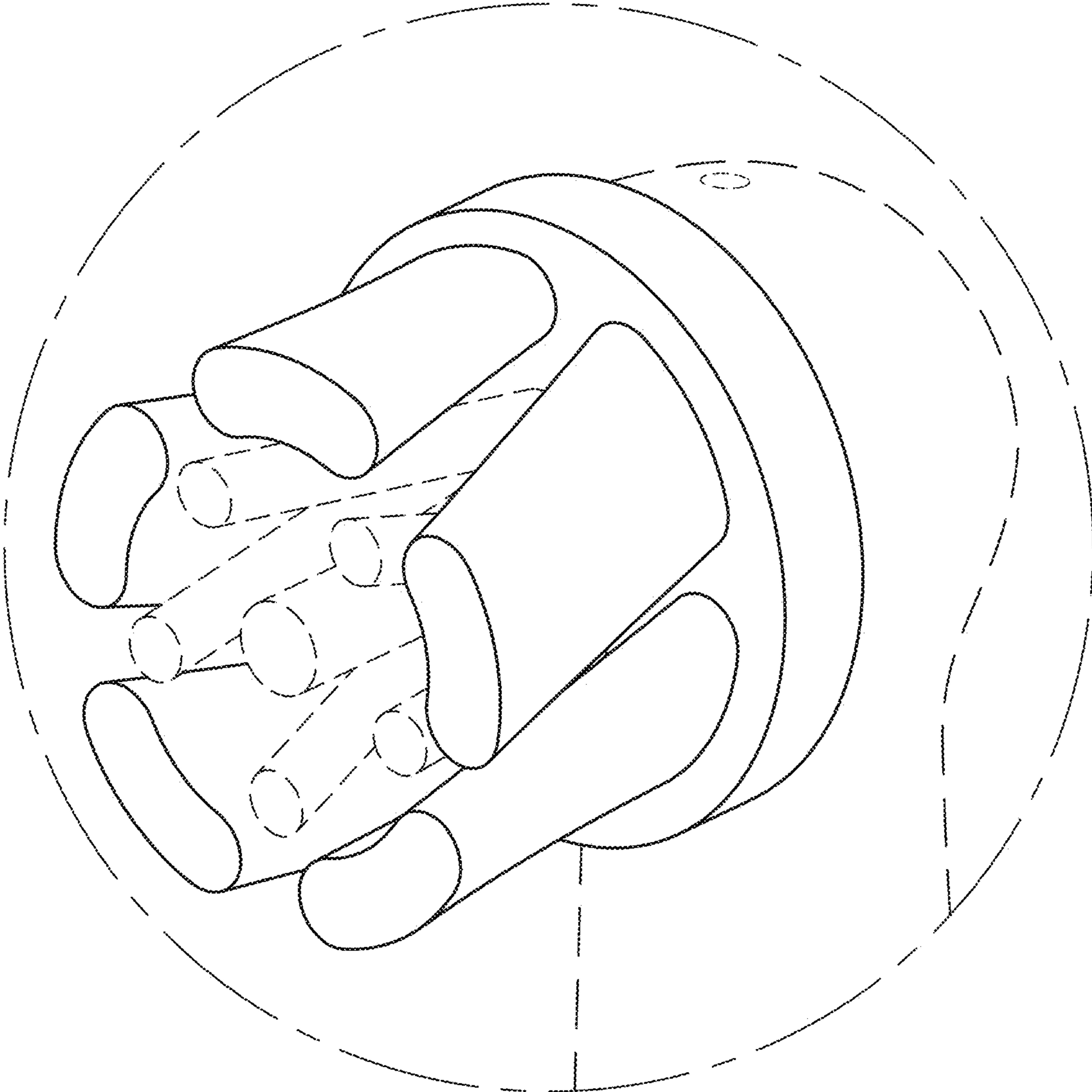


FIG. 57

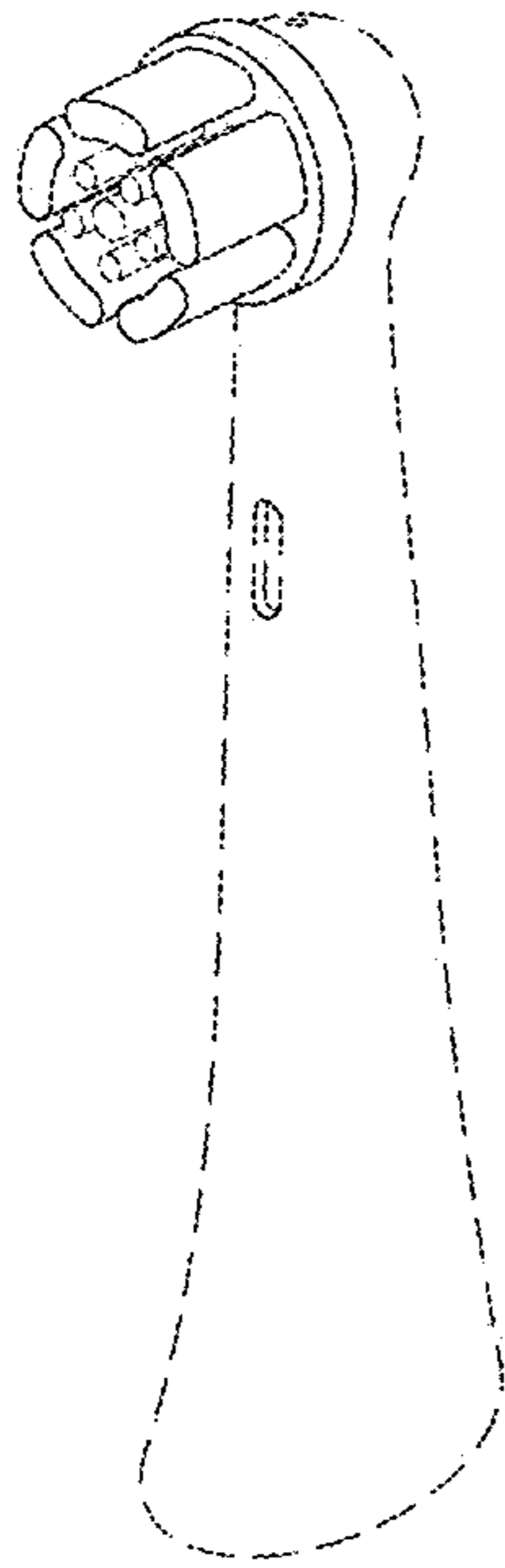


FIG. 58

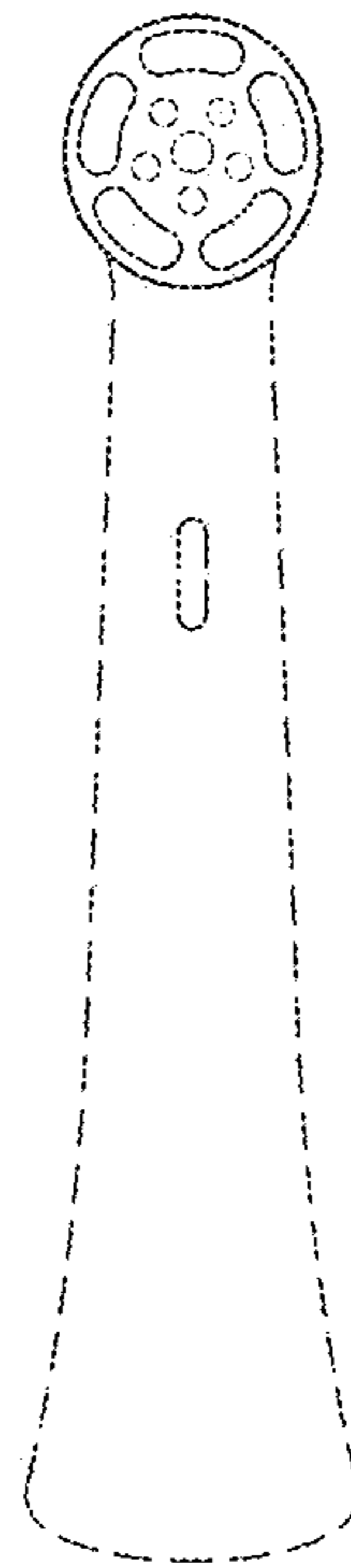


FIG. 59

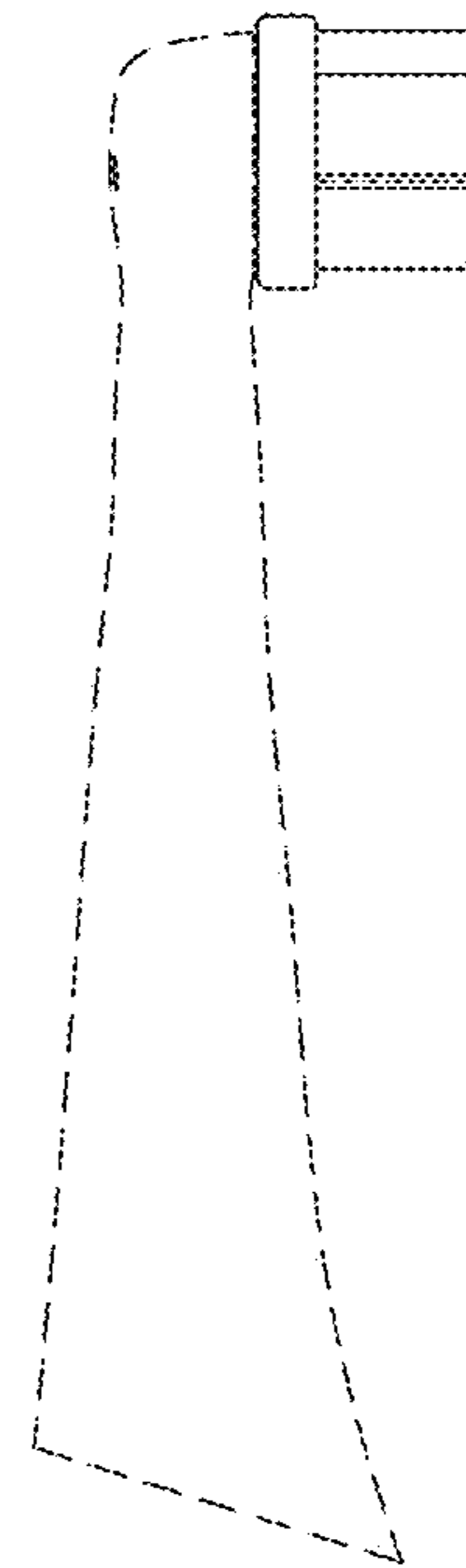


FIG. 60

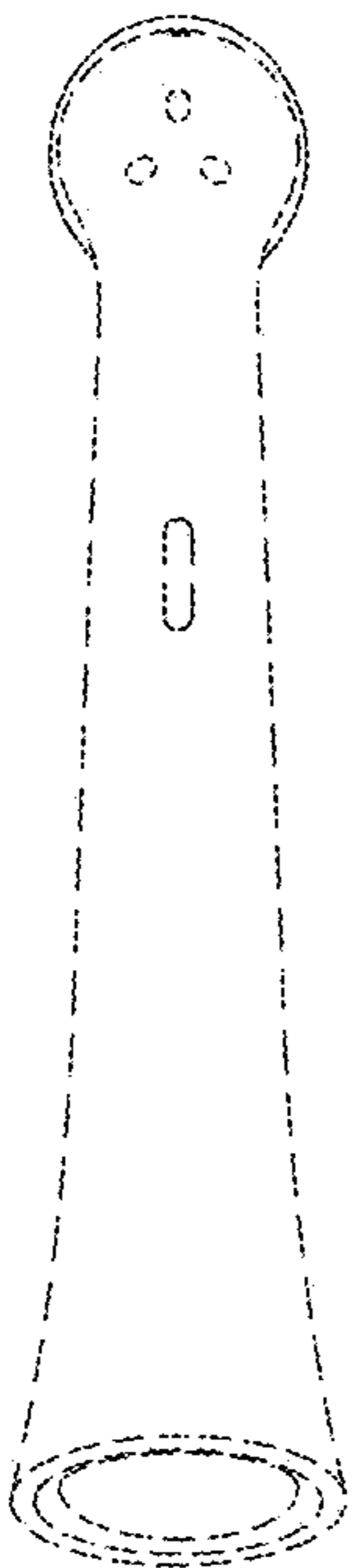


FIG. 61



FIG. 62

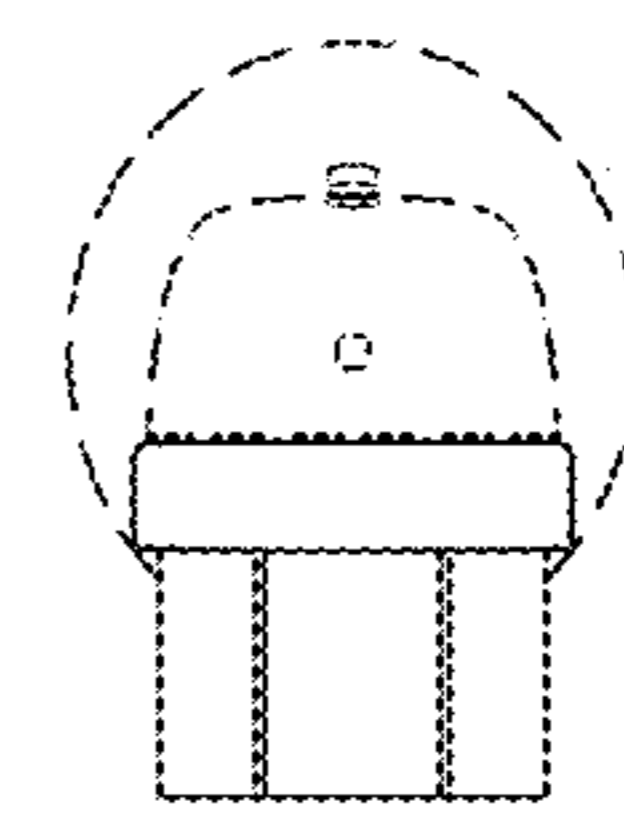


FIG. 63

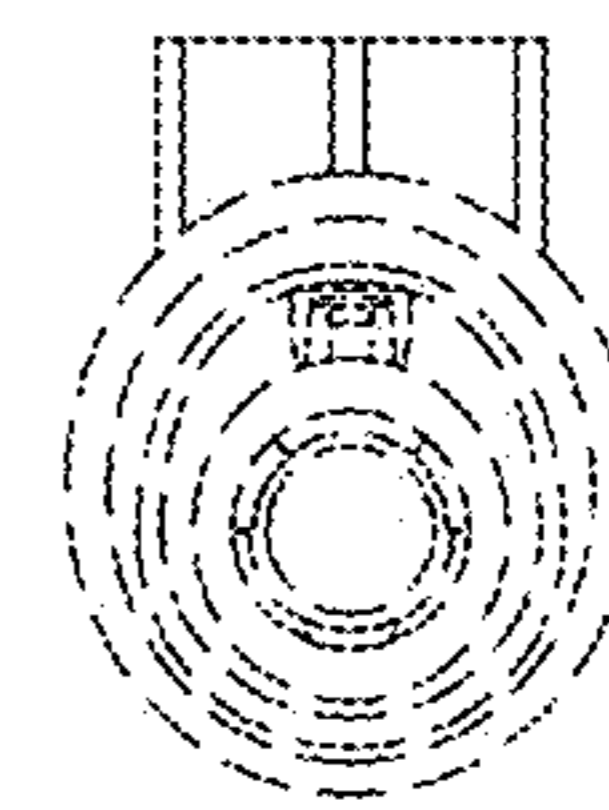


FIG. 64

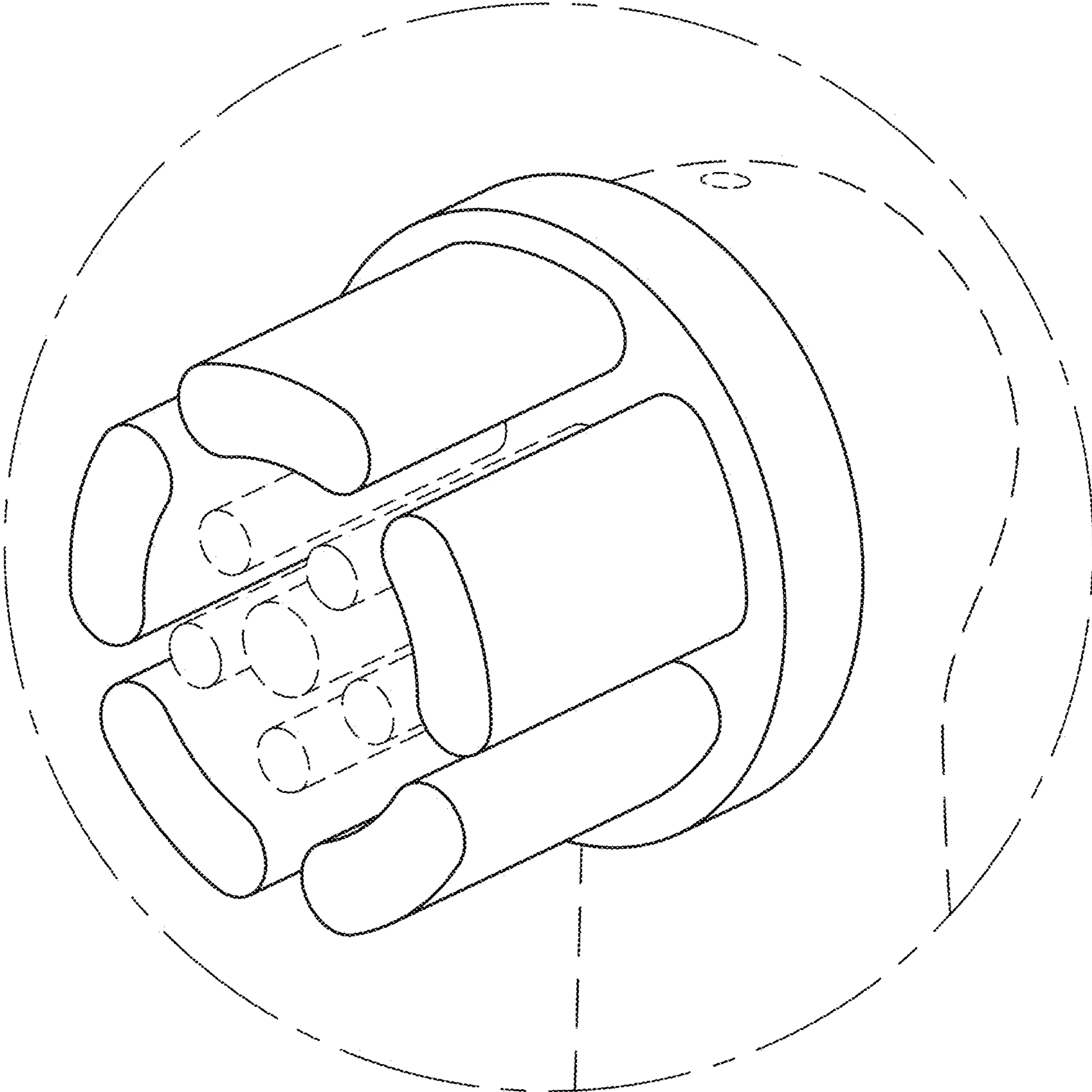


FIG. 65



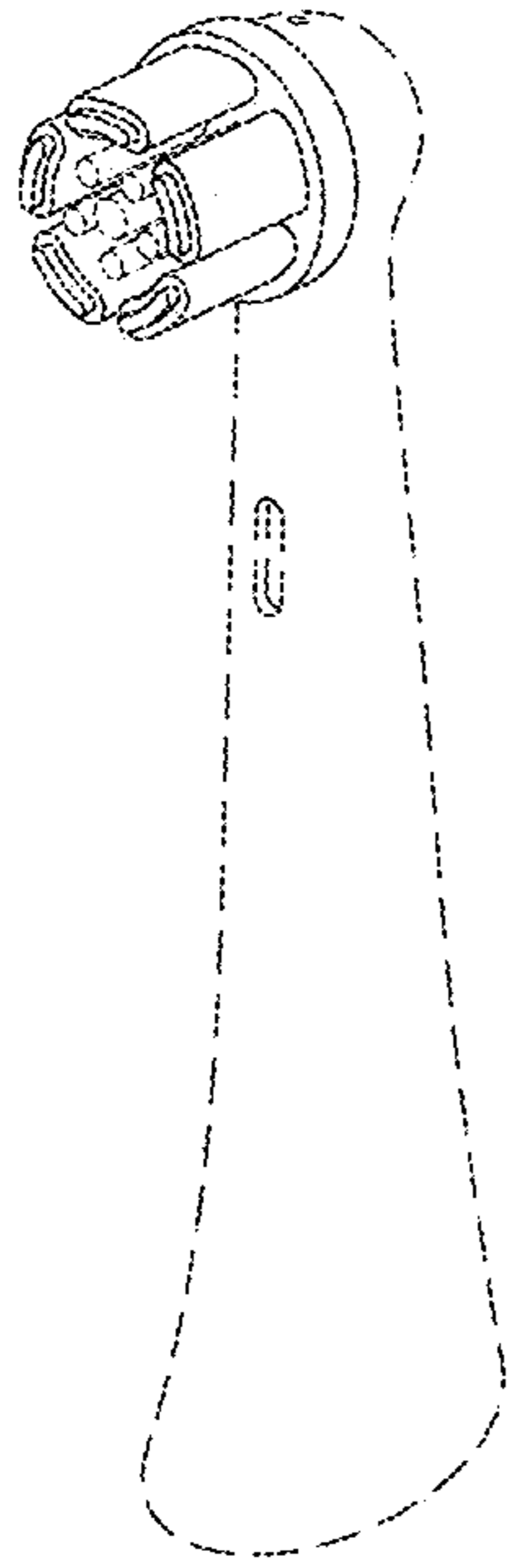


FIG. 66

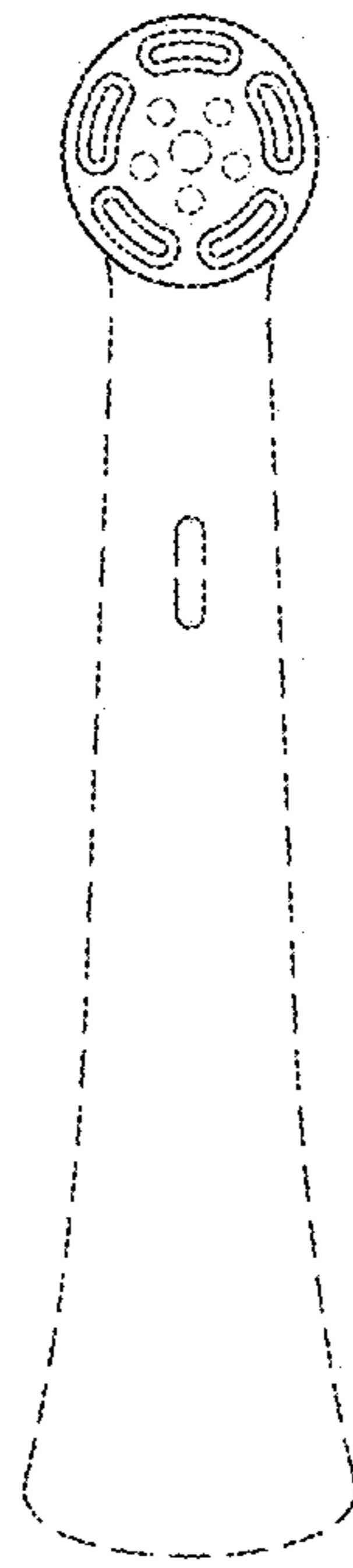


FIG. 67

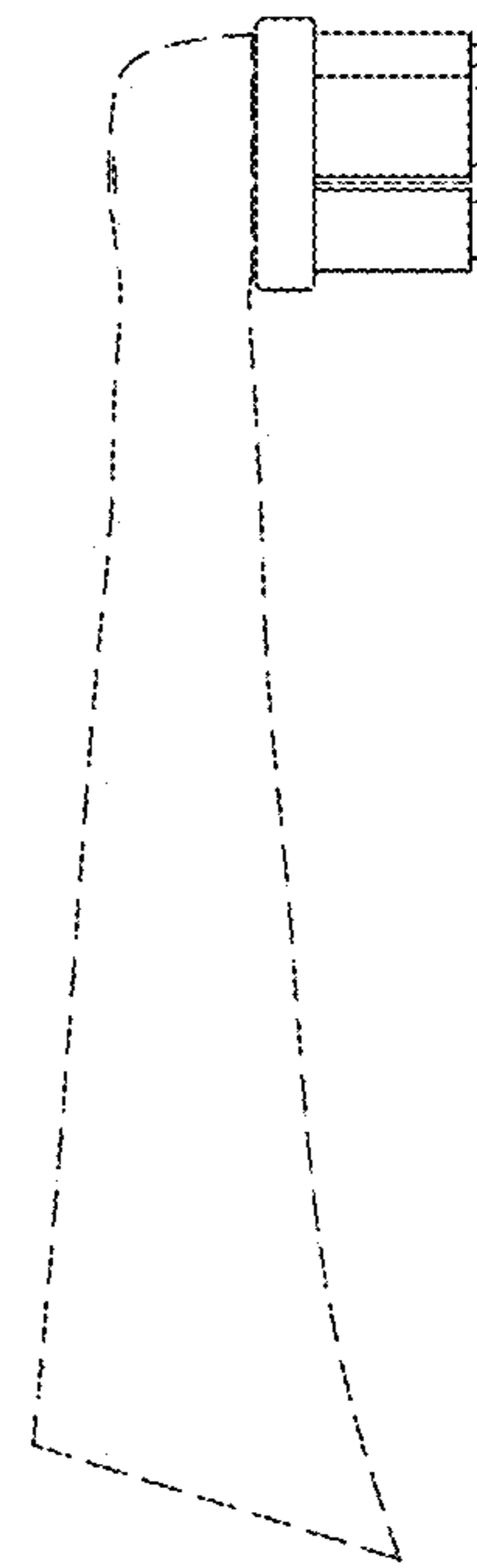


FIG. 68

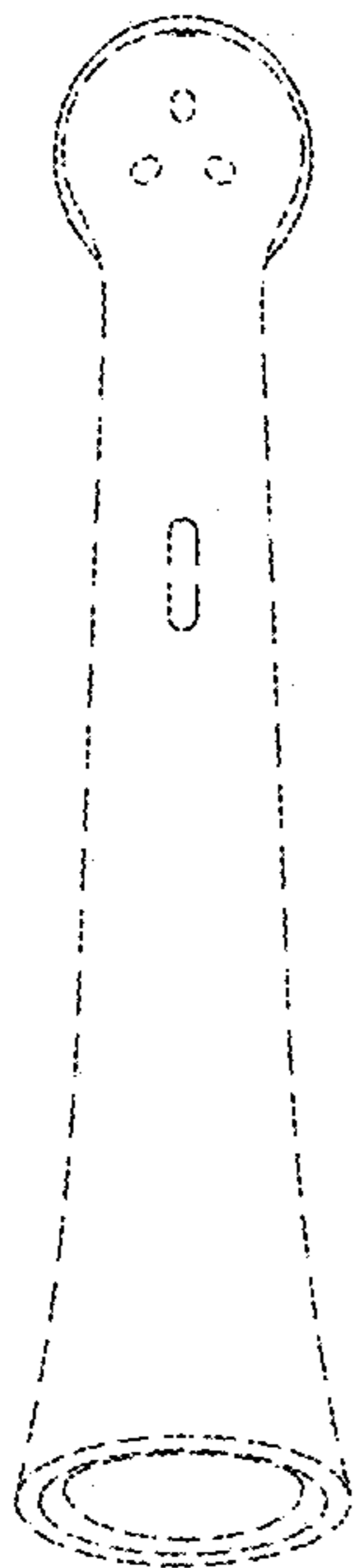


FIG. 69

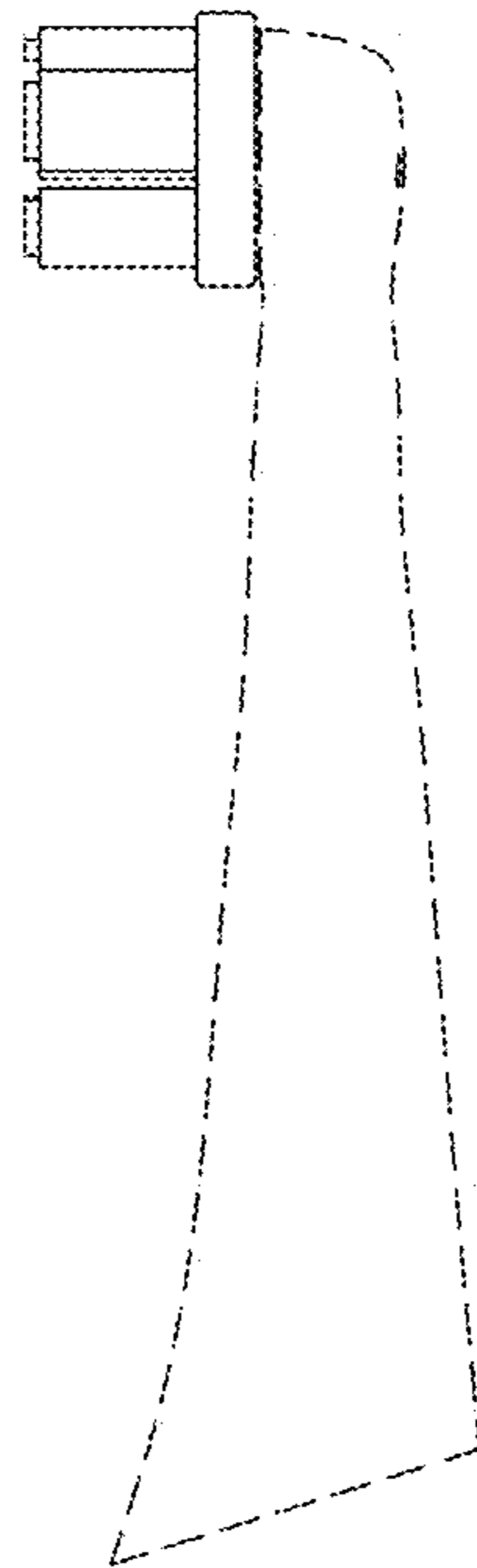


FIG. 70

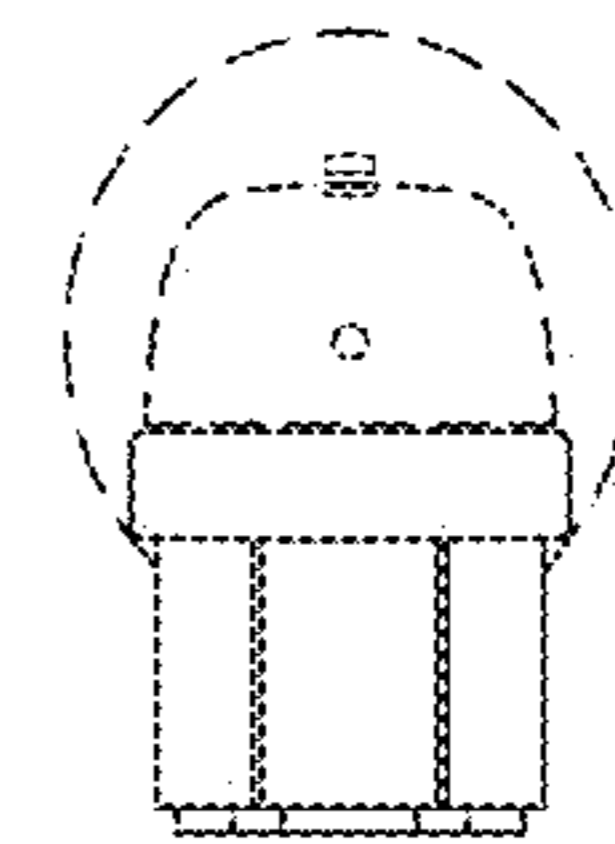


FIG. 71

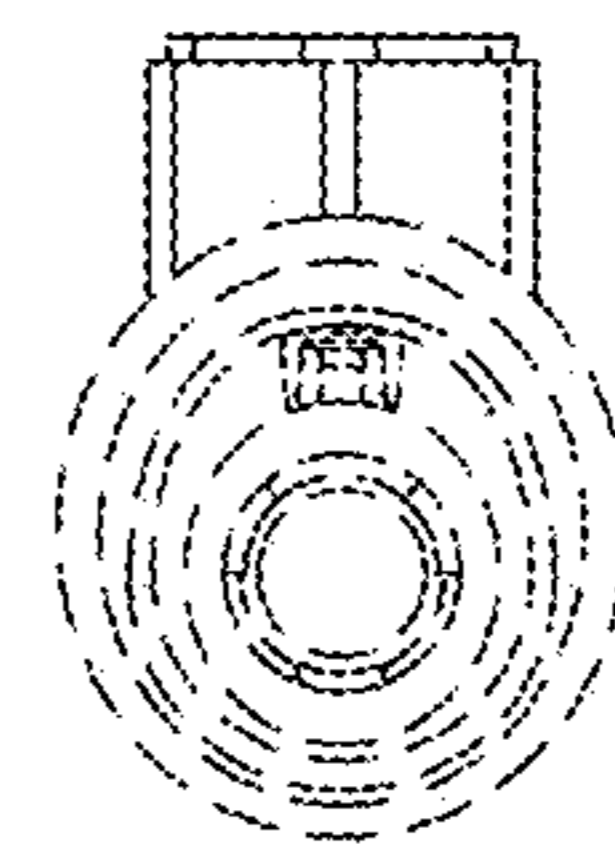


FIG. 72

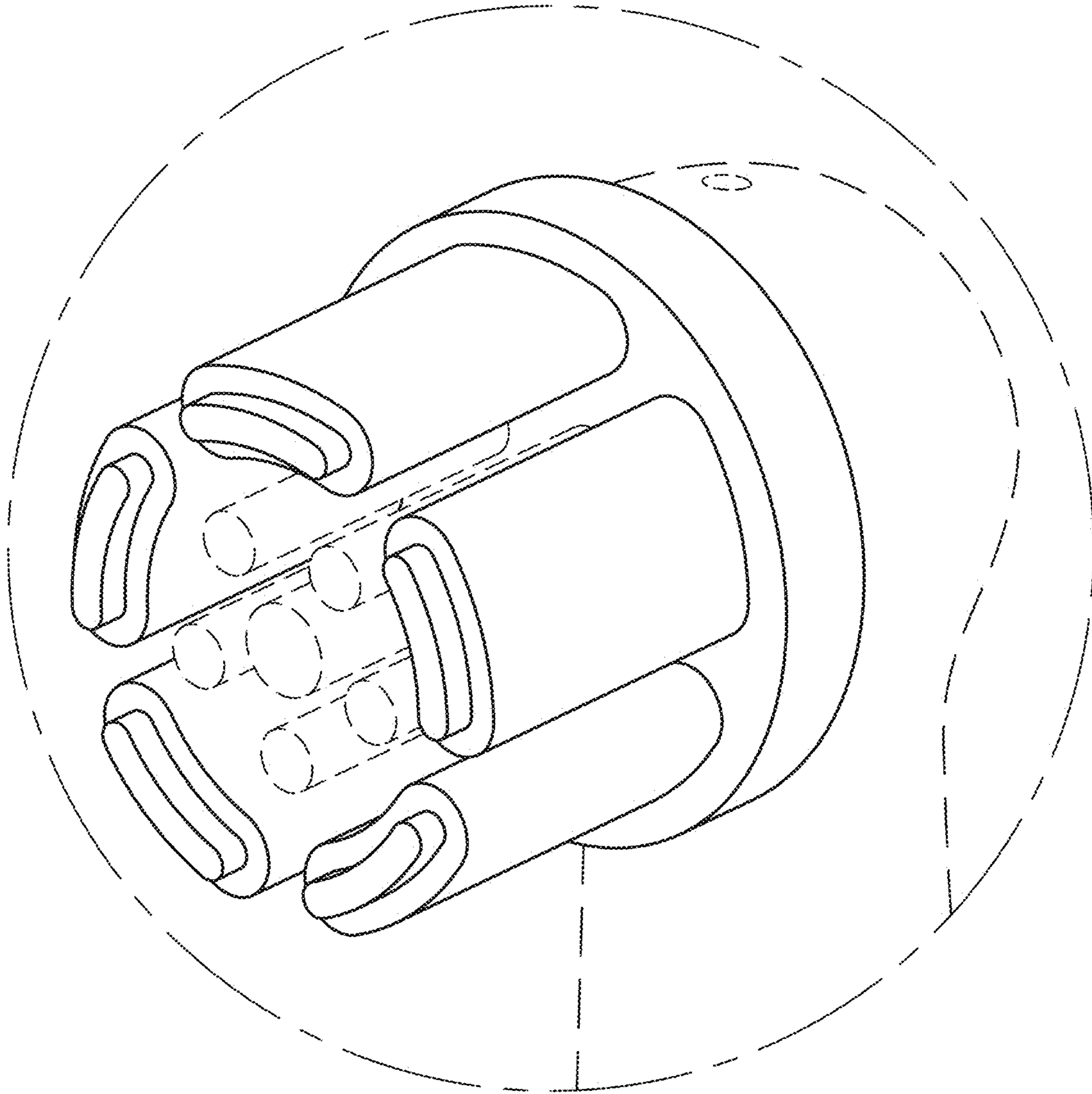


FIG. 73

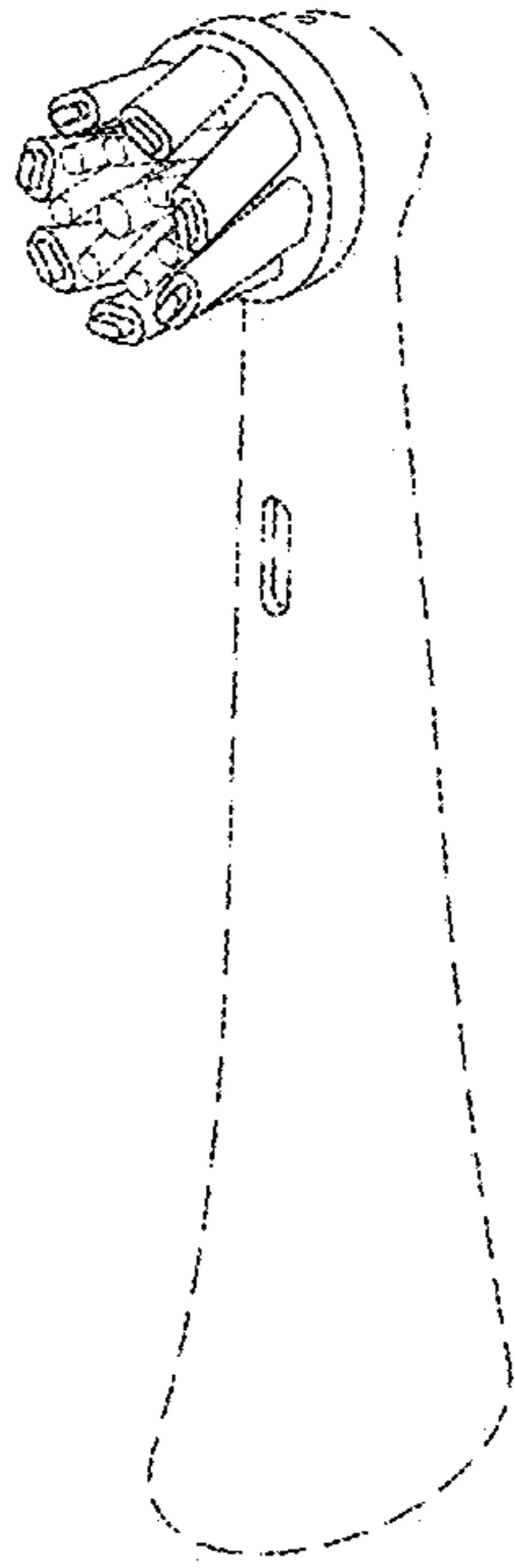


FIG. 74

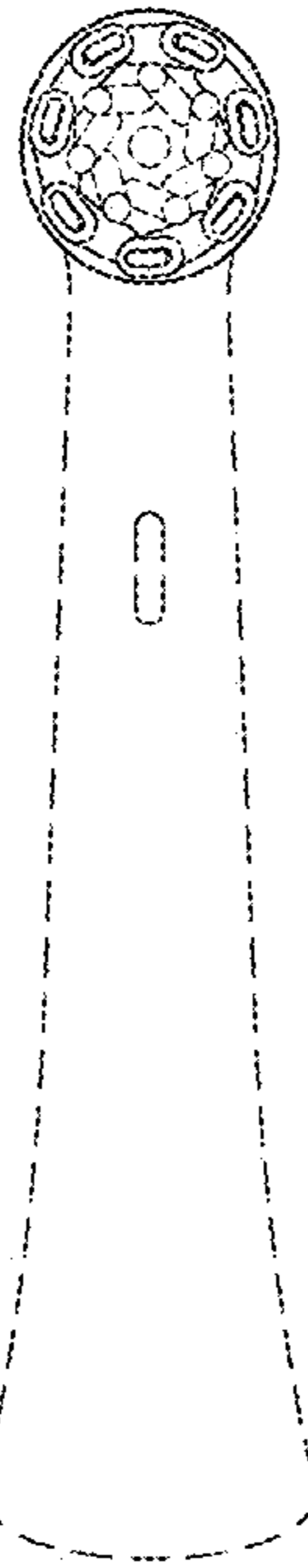


FIG. 75

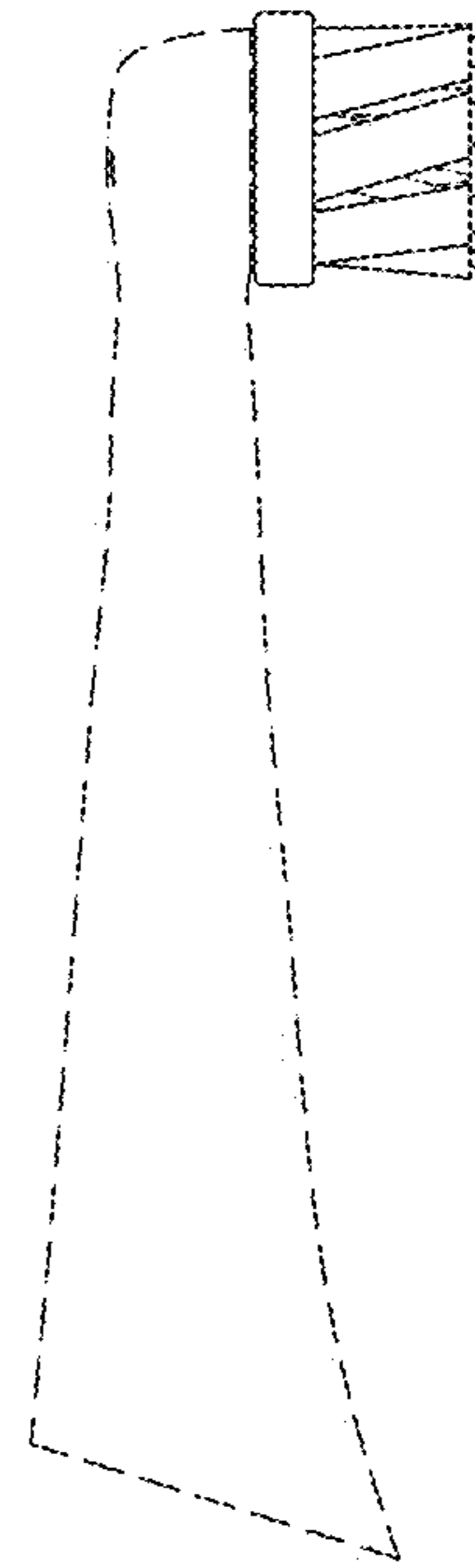


FIG. 76

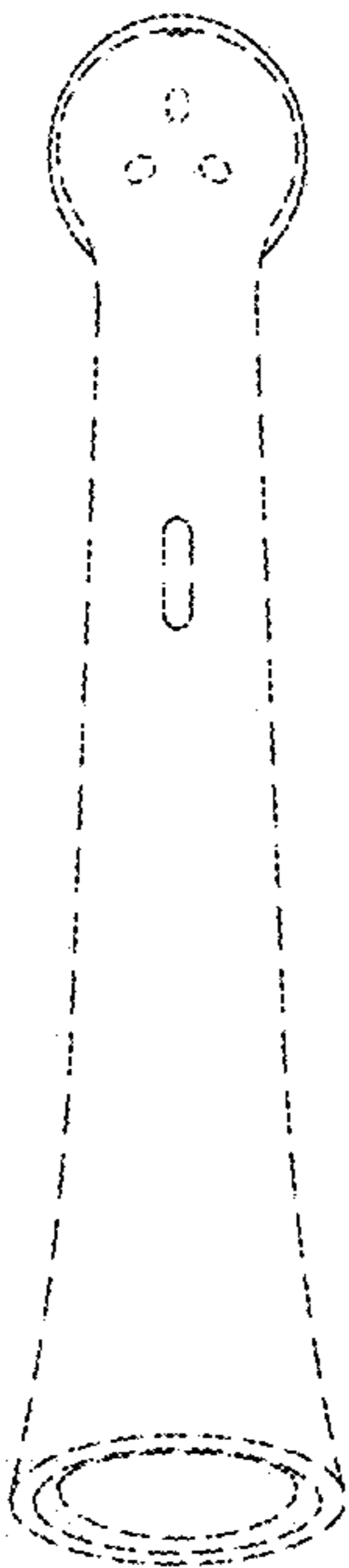


FIG. 77



FIG. 78

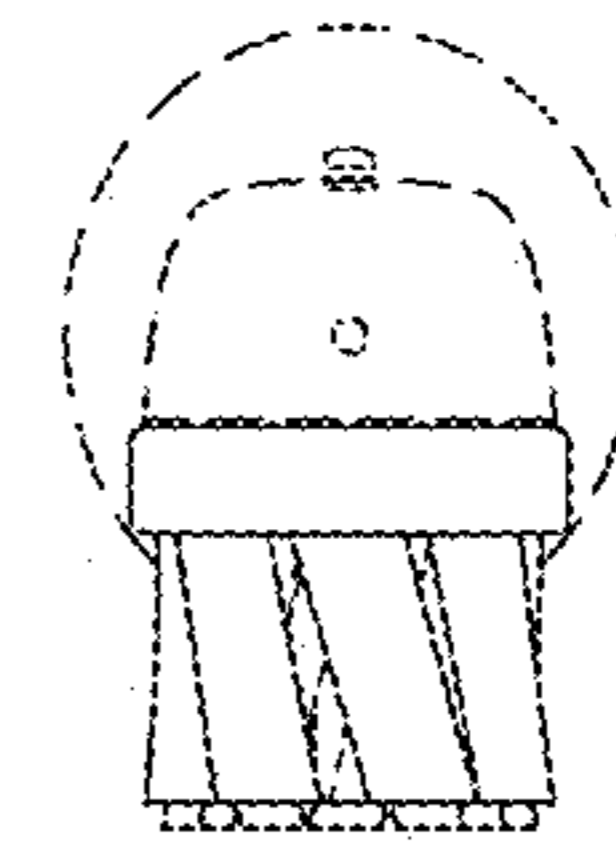


FIG. 79

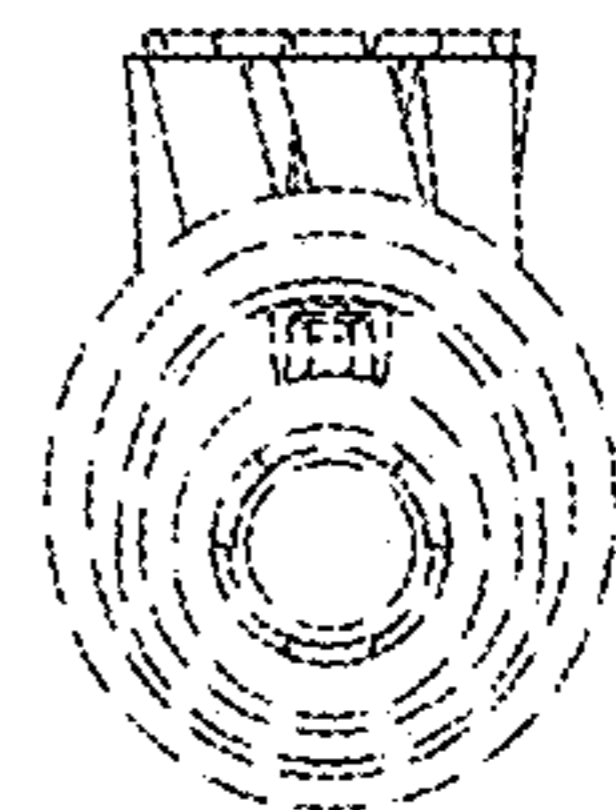


FIG. 80

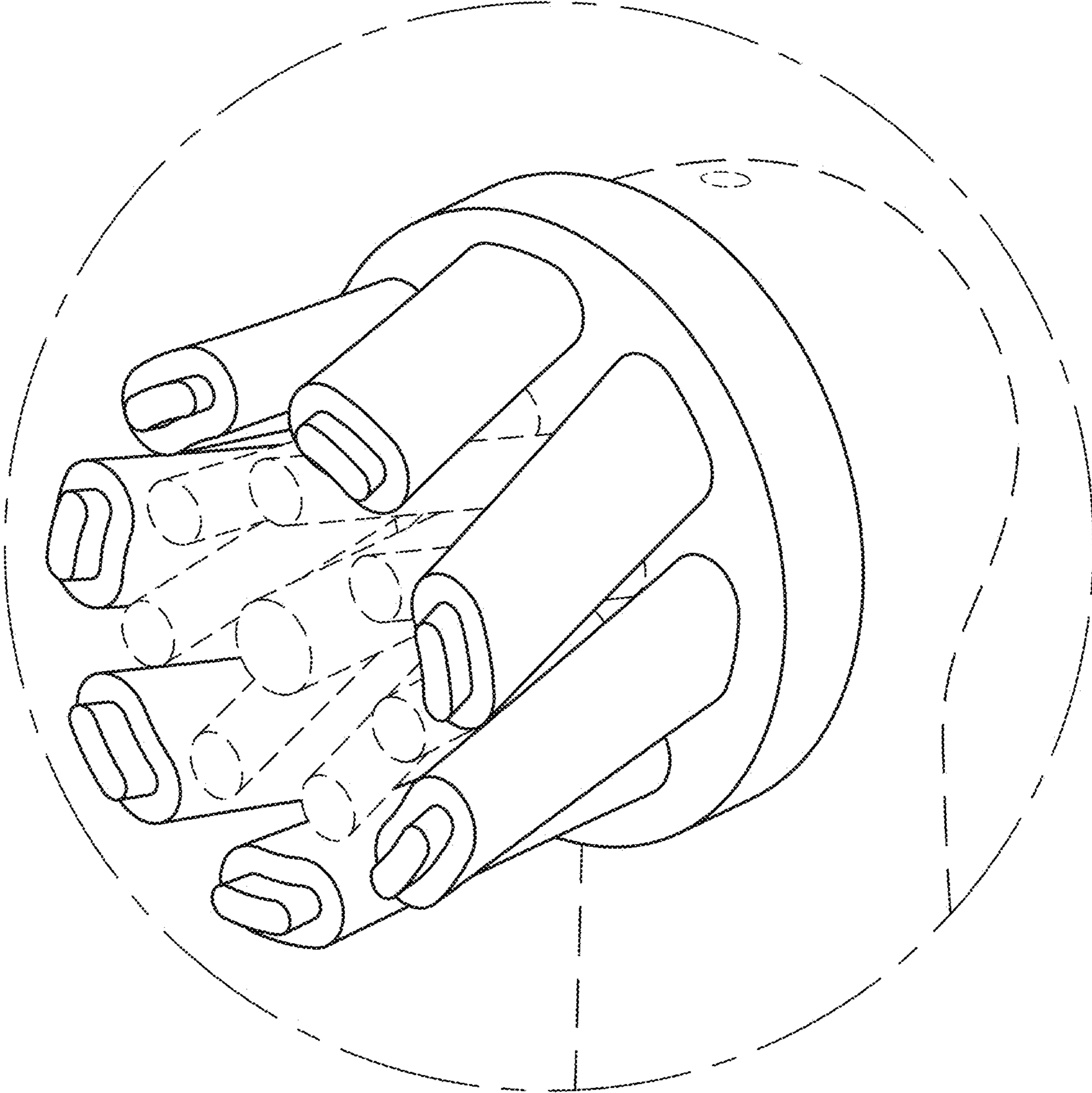


FIG. 81



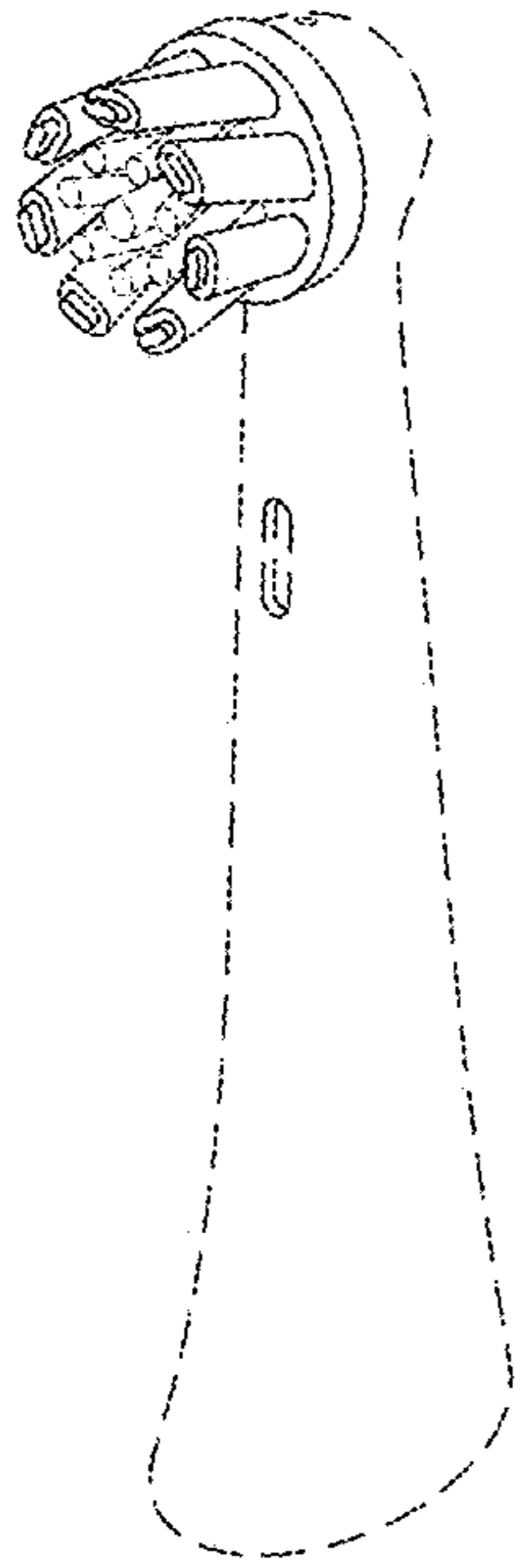


FIG. 82

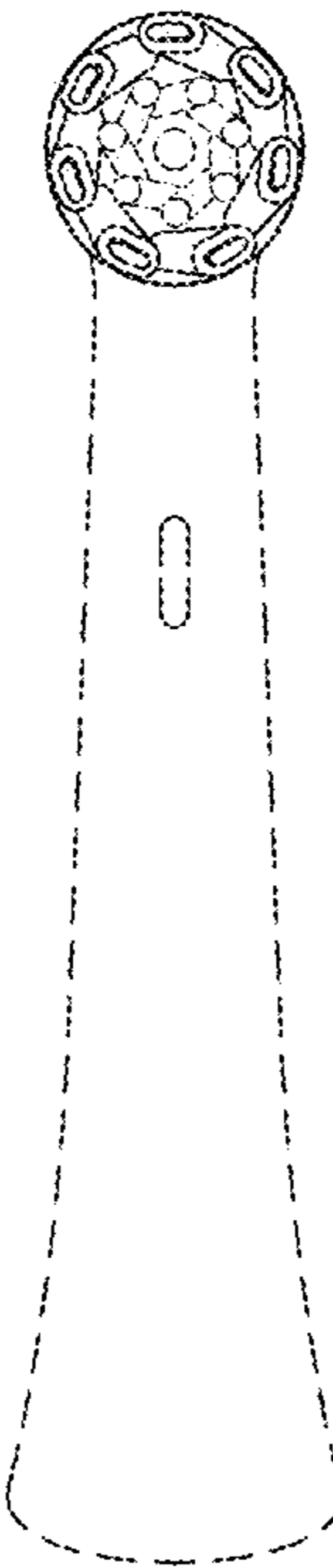


FIG. 83

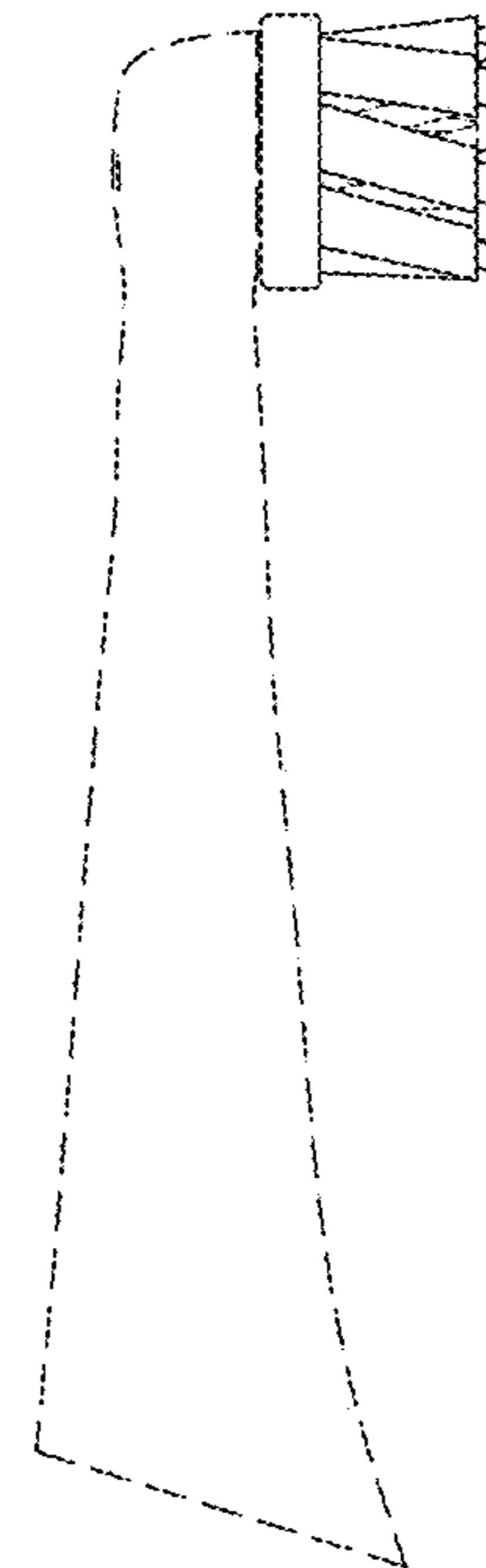


FIG. 84

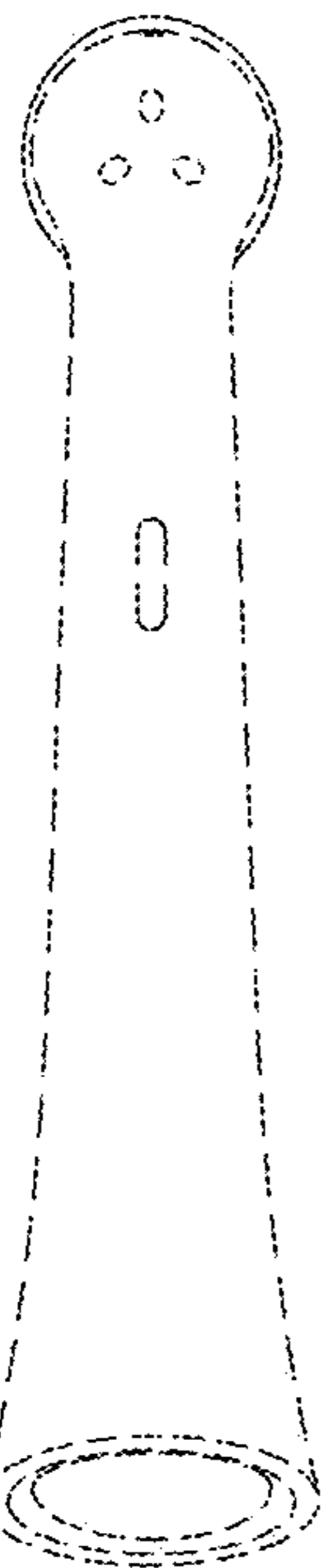


FIG. 85

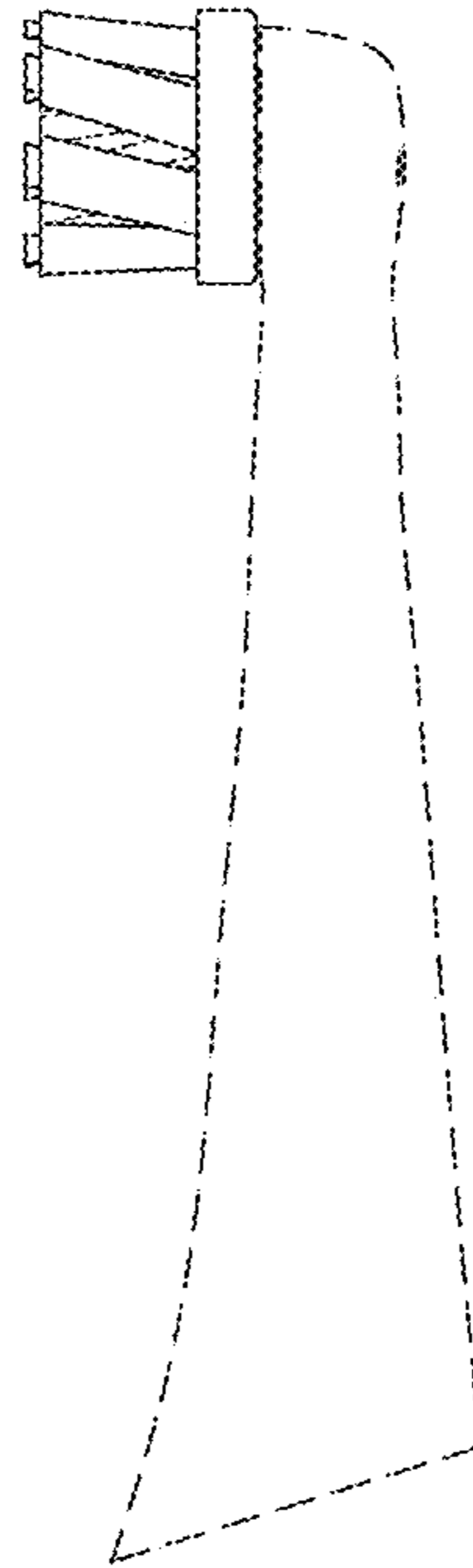


FIG. 86

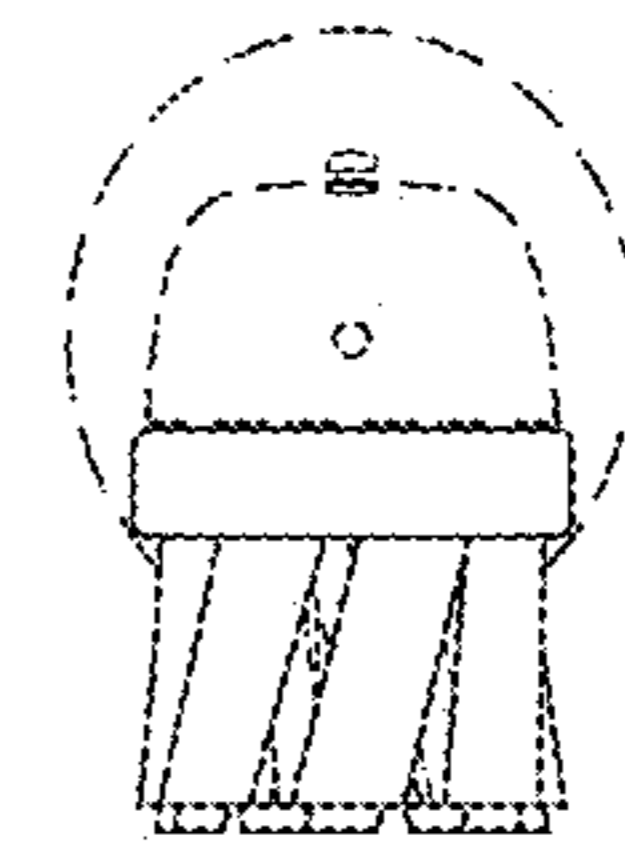


FIG. 87

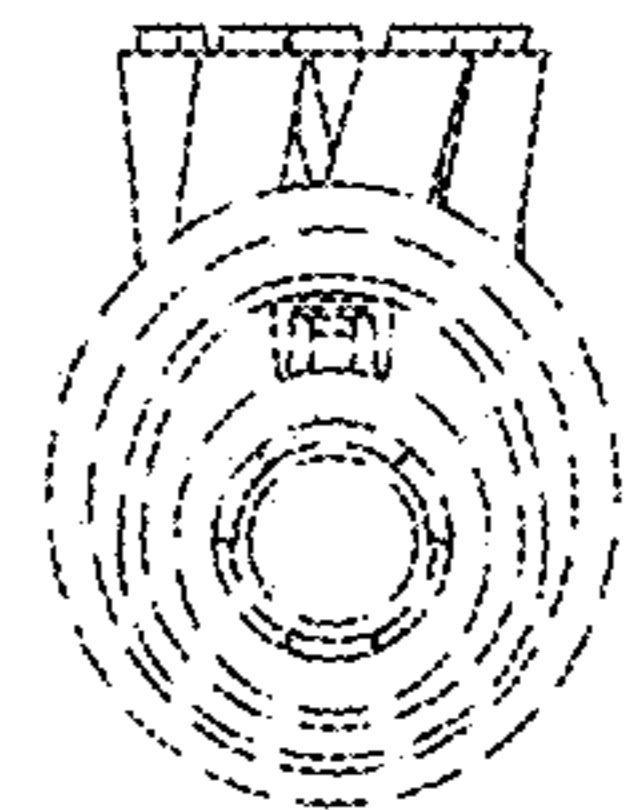


FIG. 88

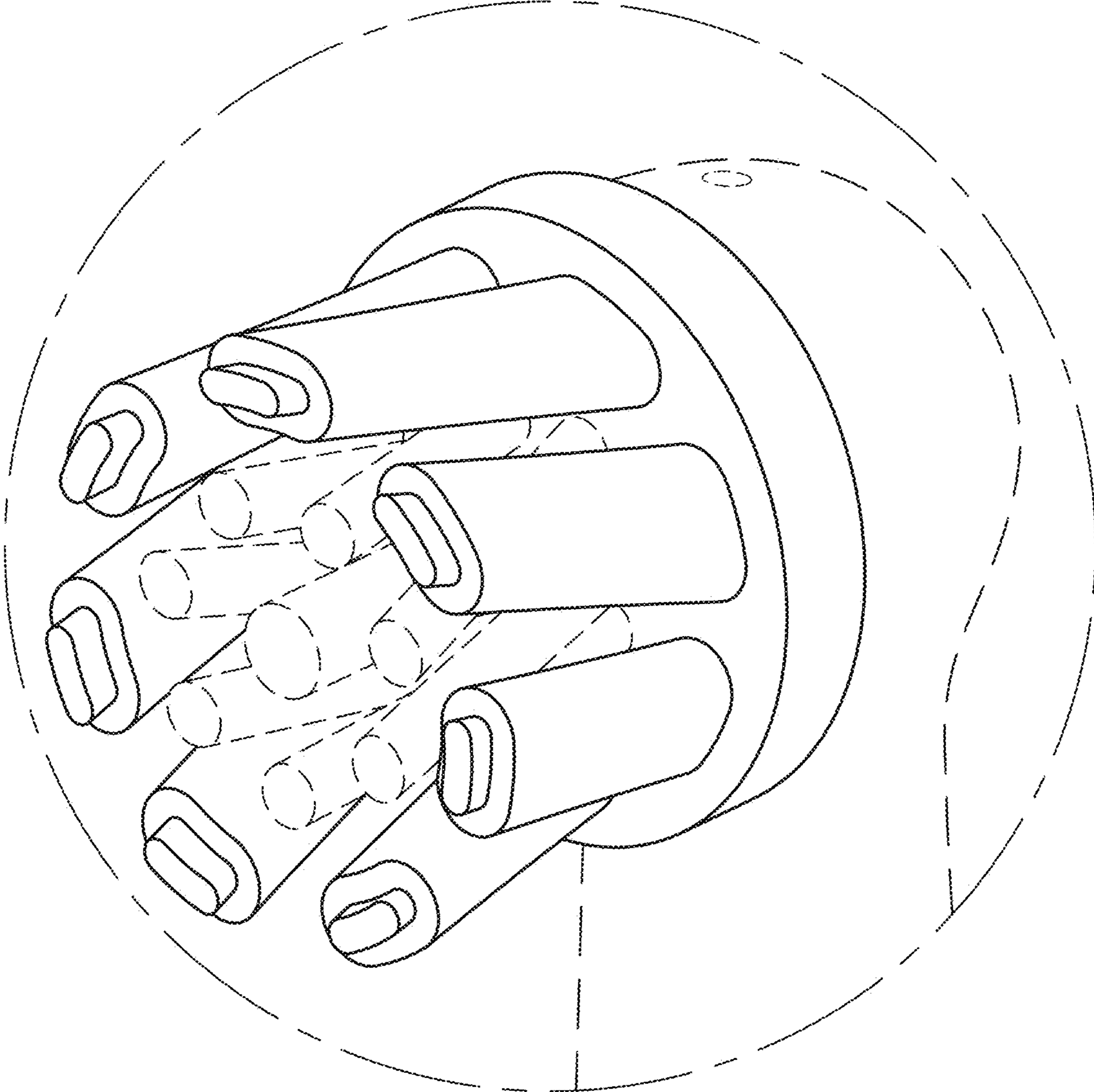


FIG. 89

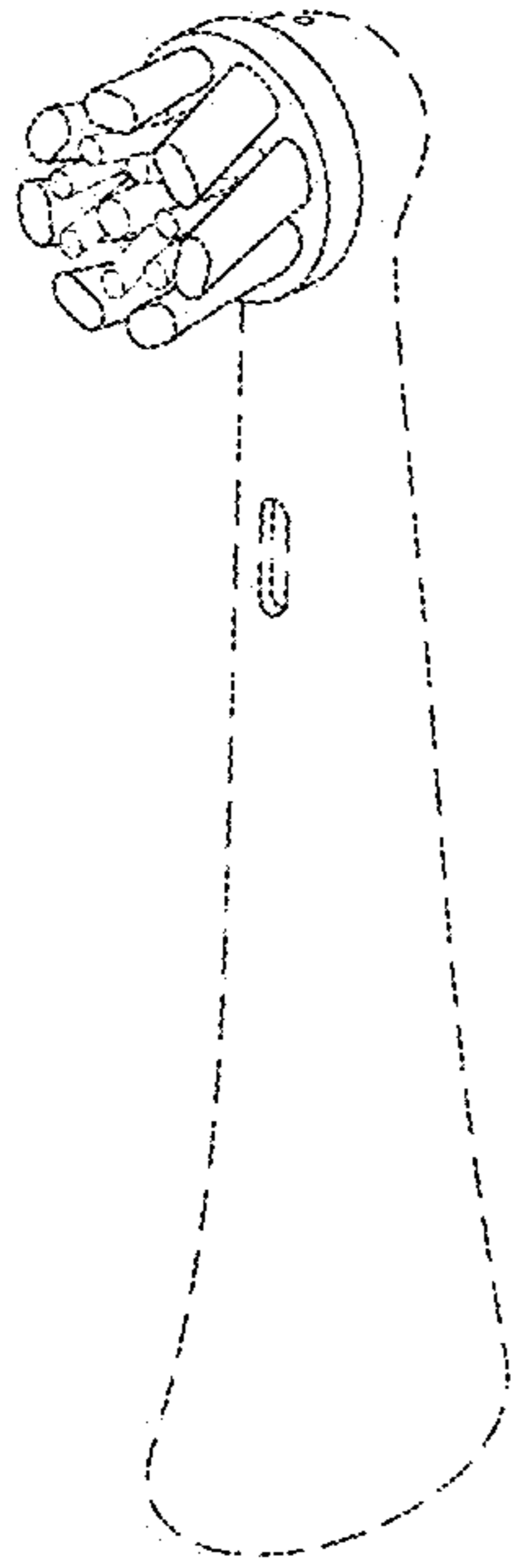


FIG. 90

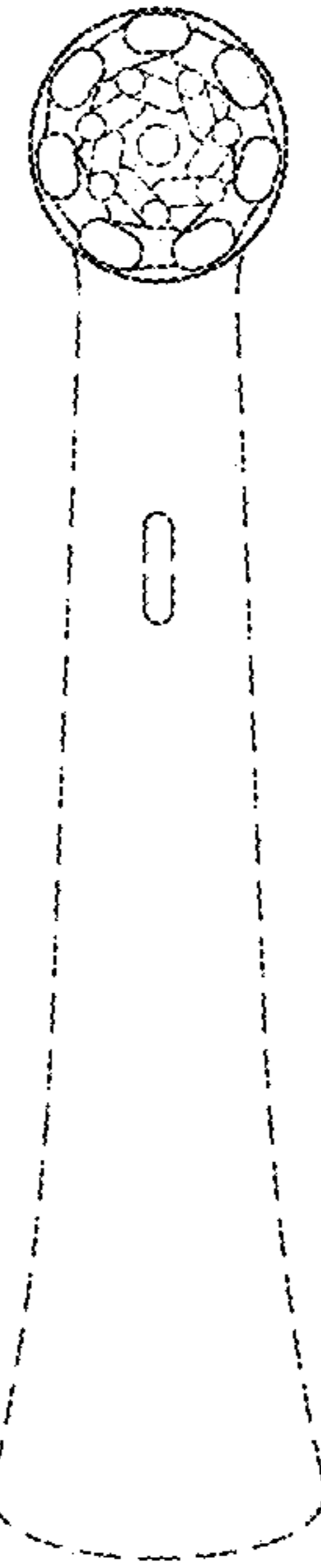


FIG. 91

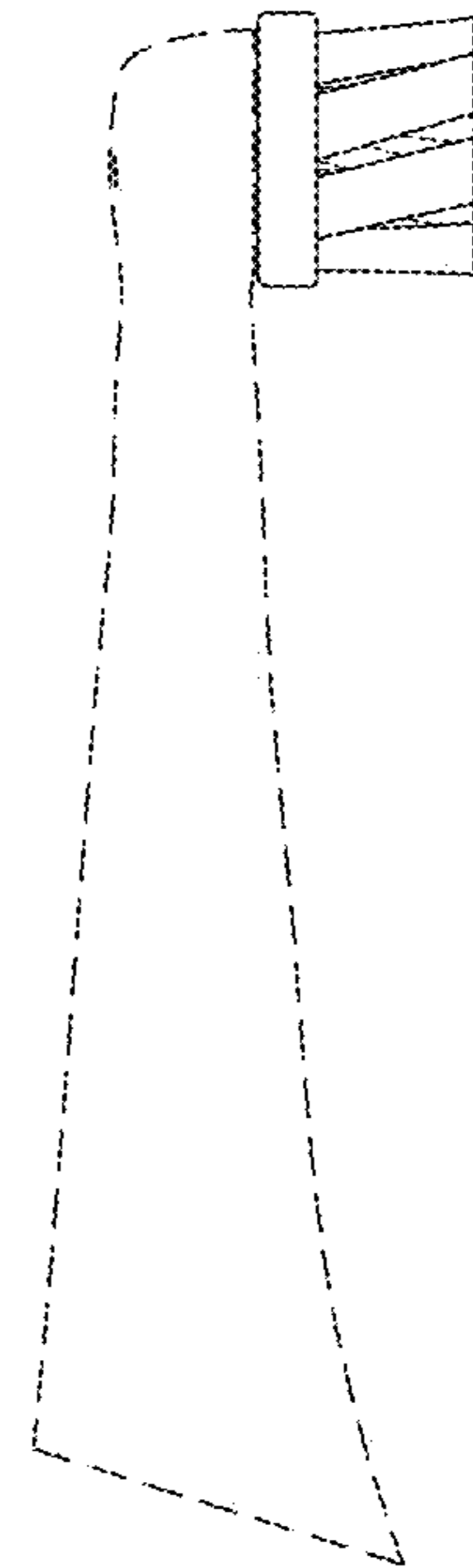


FIG. 92

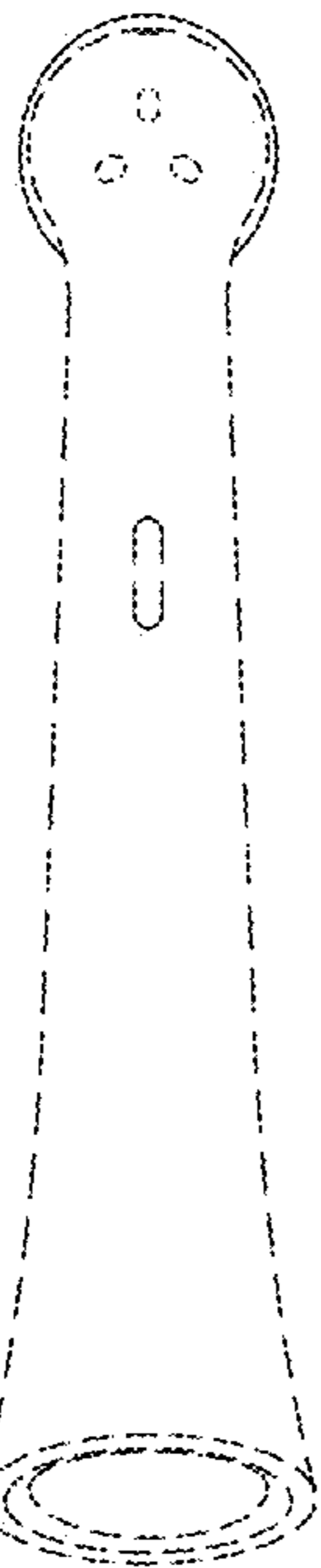


FIG. 93

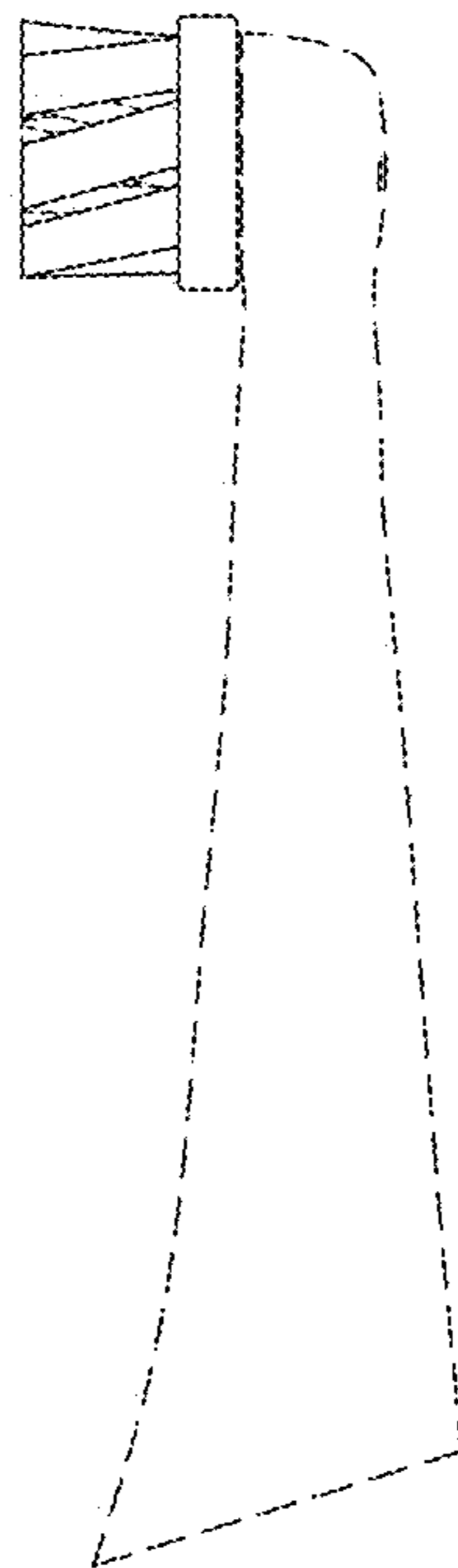


FIG. 94

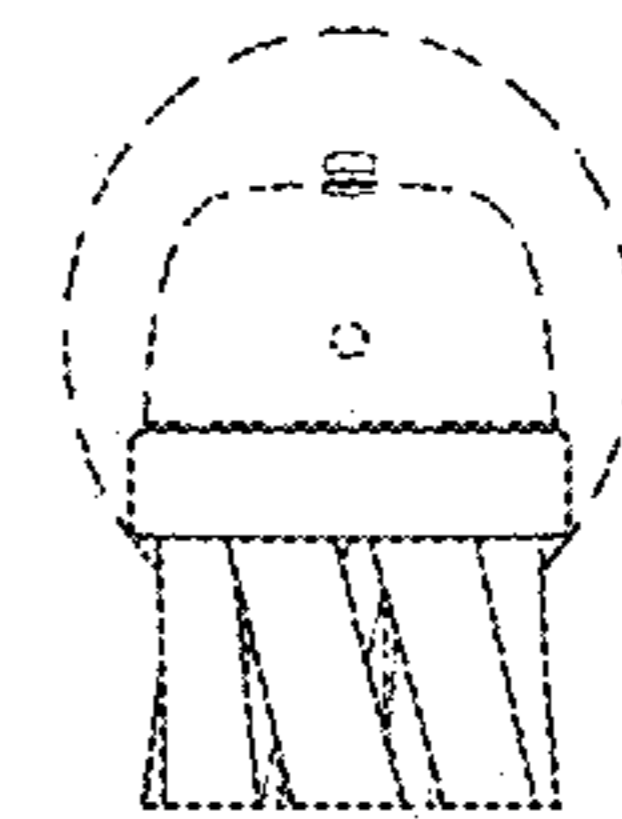


FIG. 95

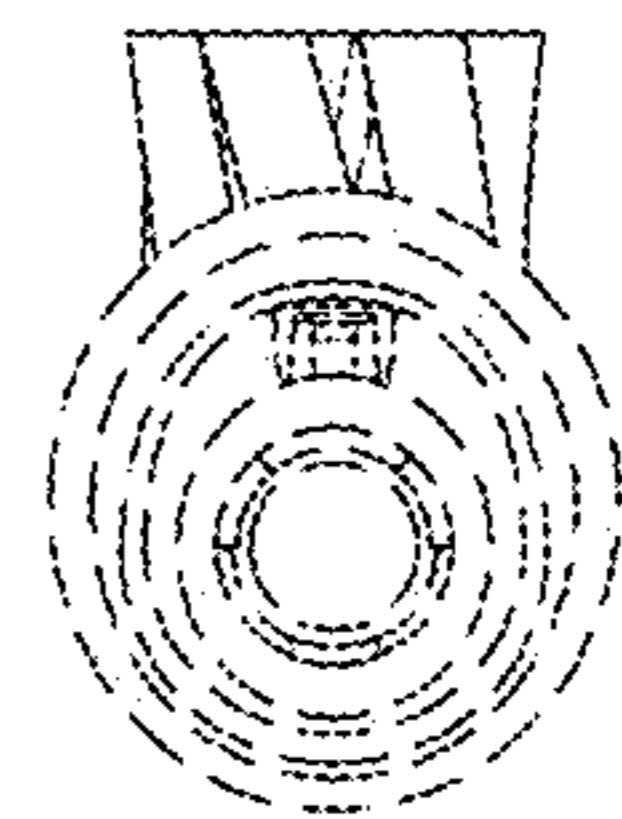


FIG. 96

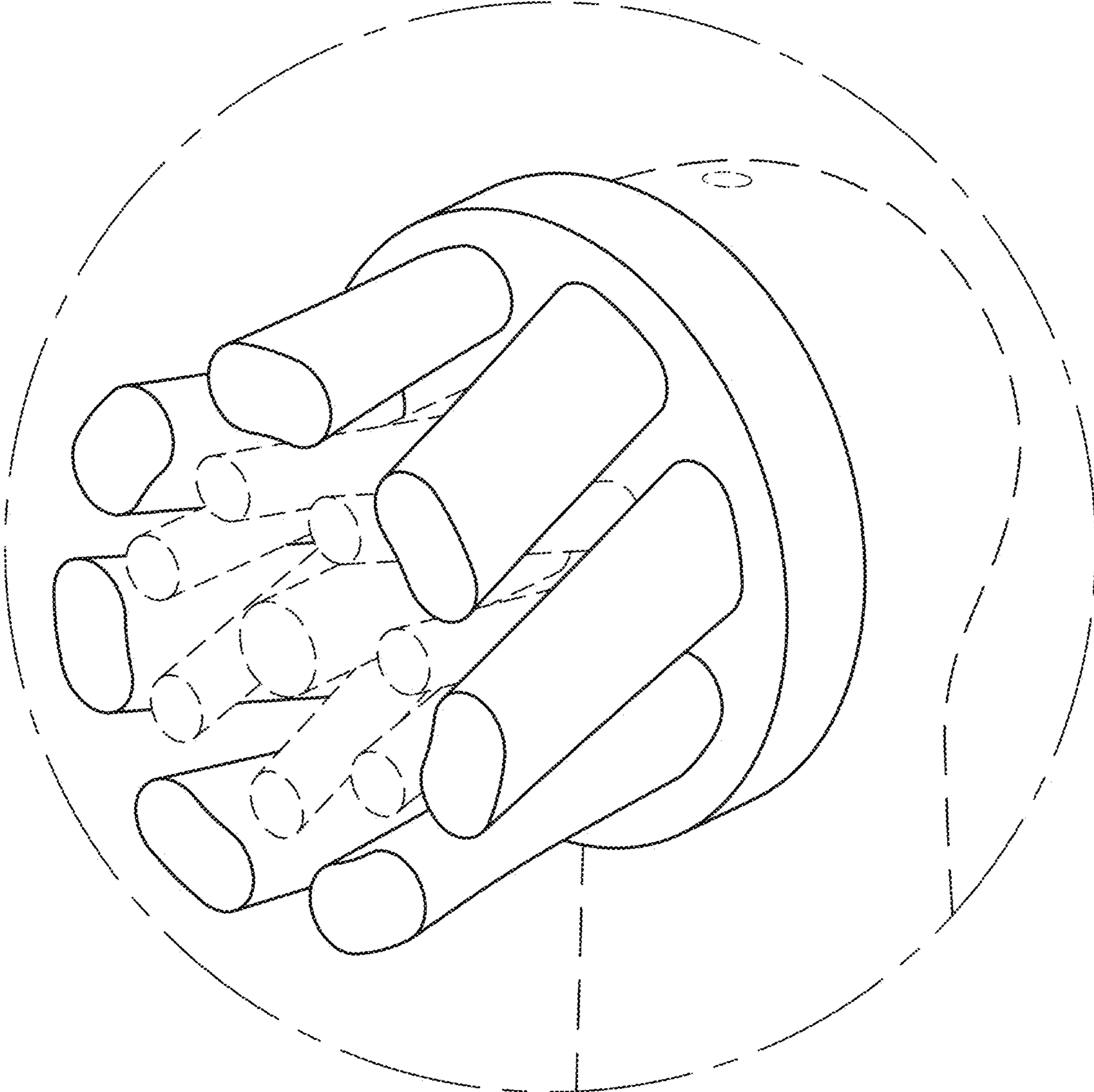


FIG. 97



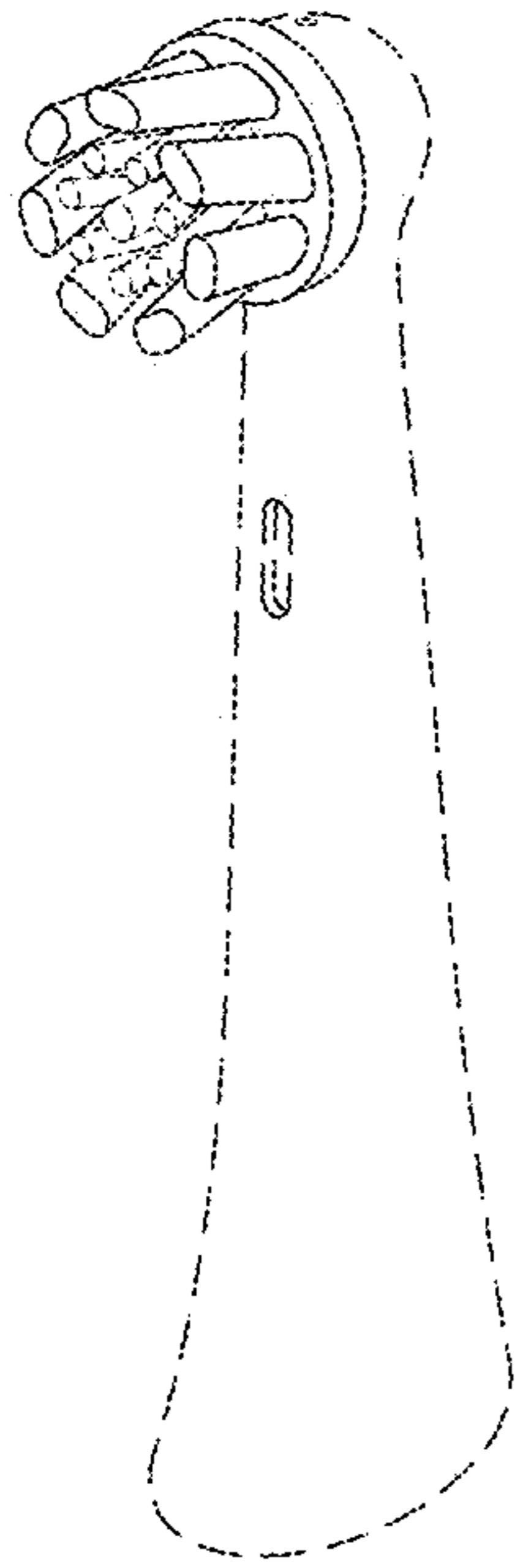


FIG. 98

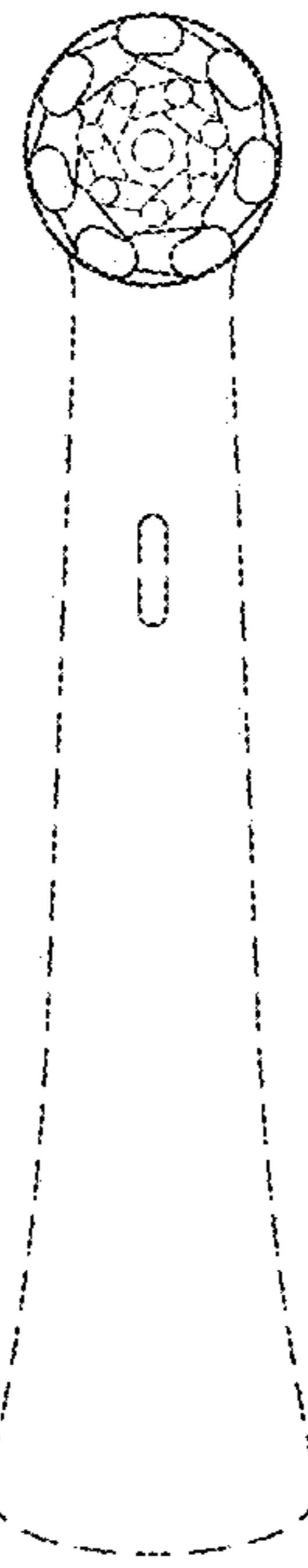


FIG. 99

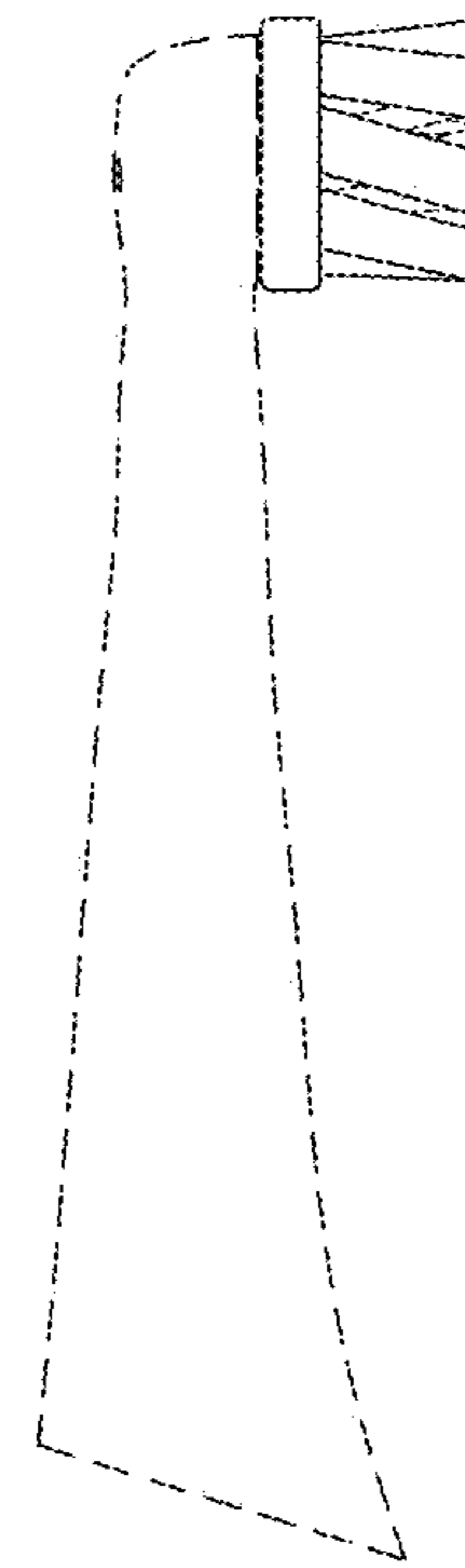


FIG. 100

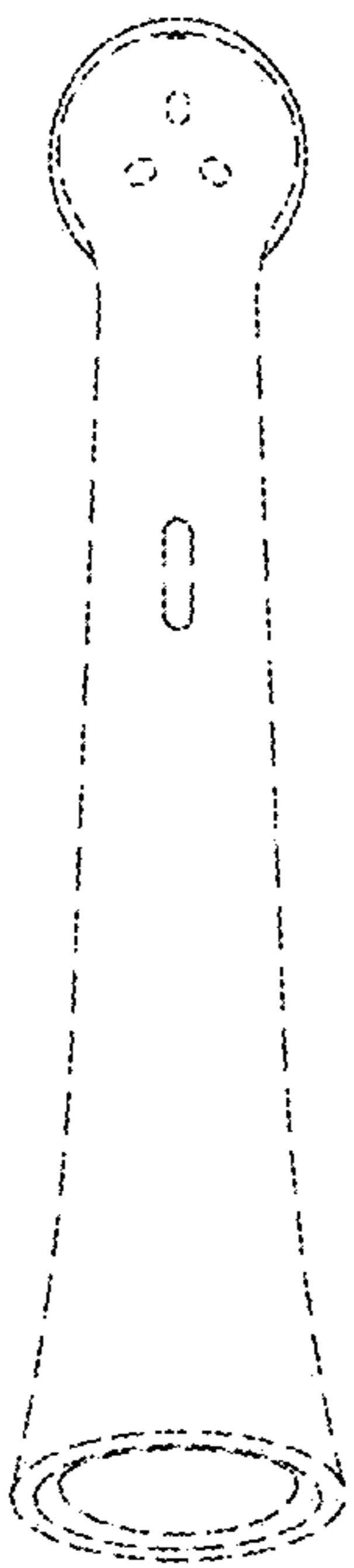


FIG. 101

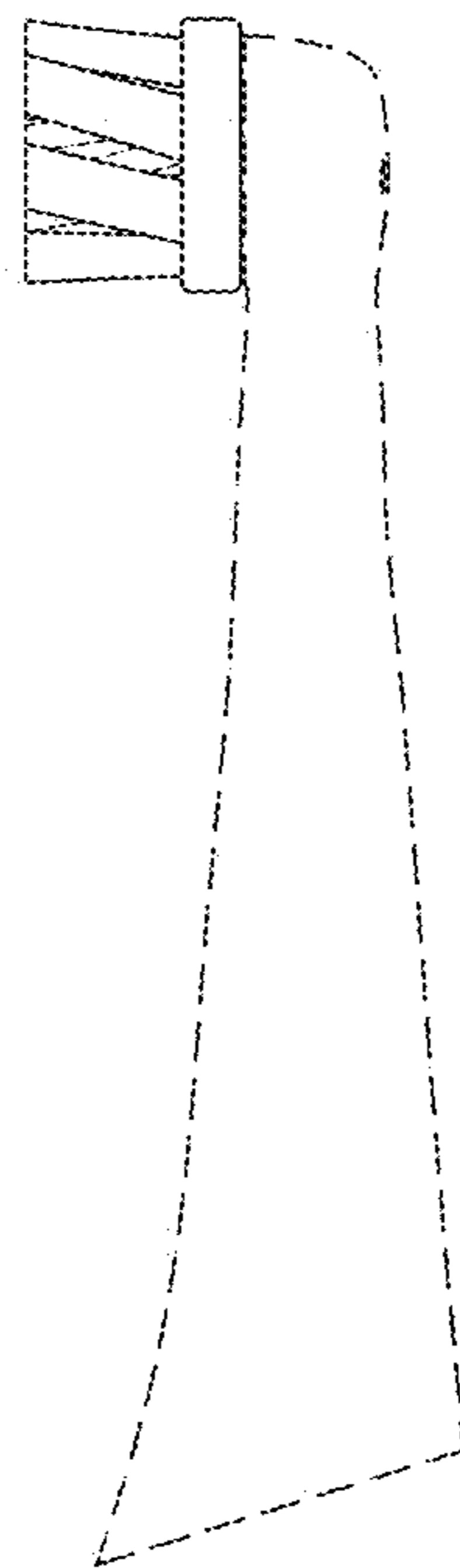


FIG. 102

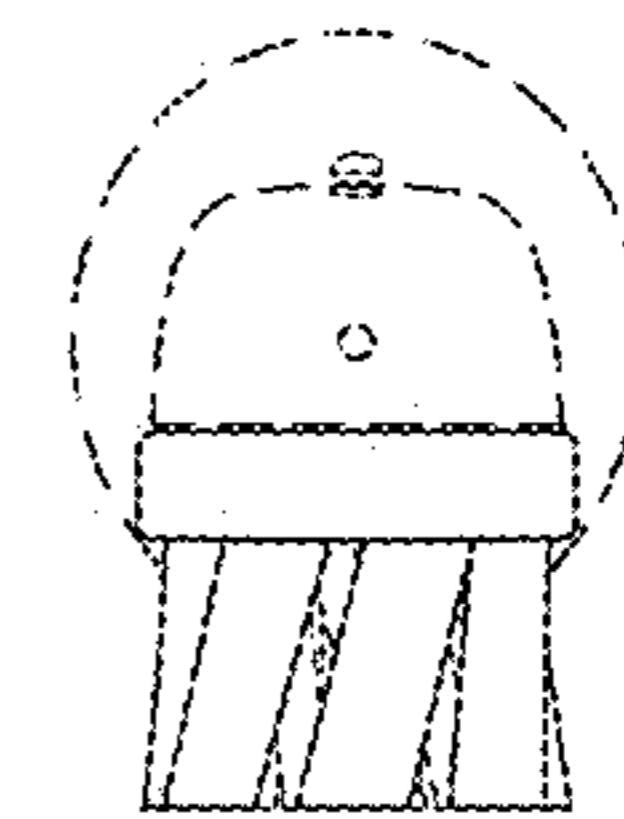


FIG. 103

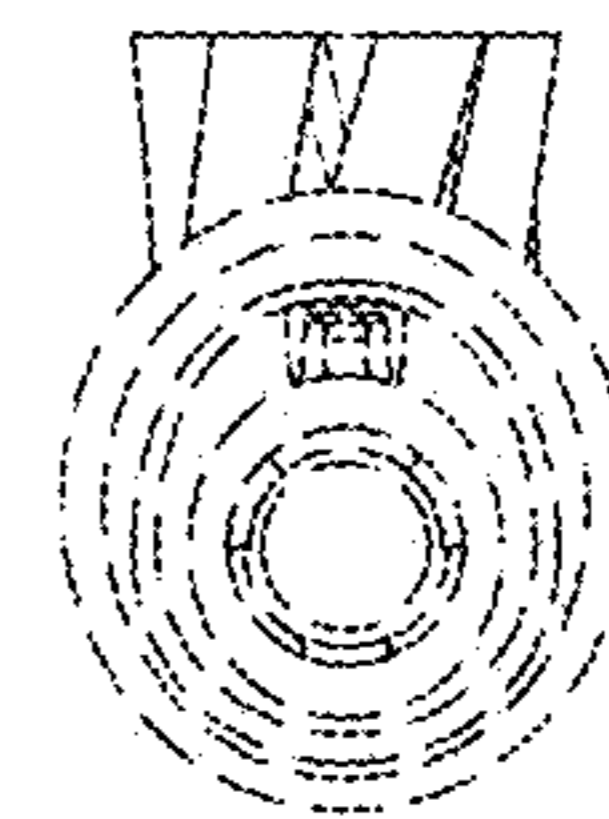


FIG. 104

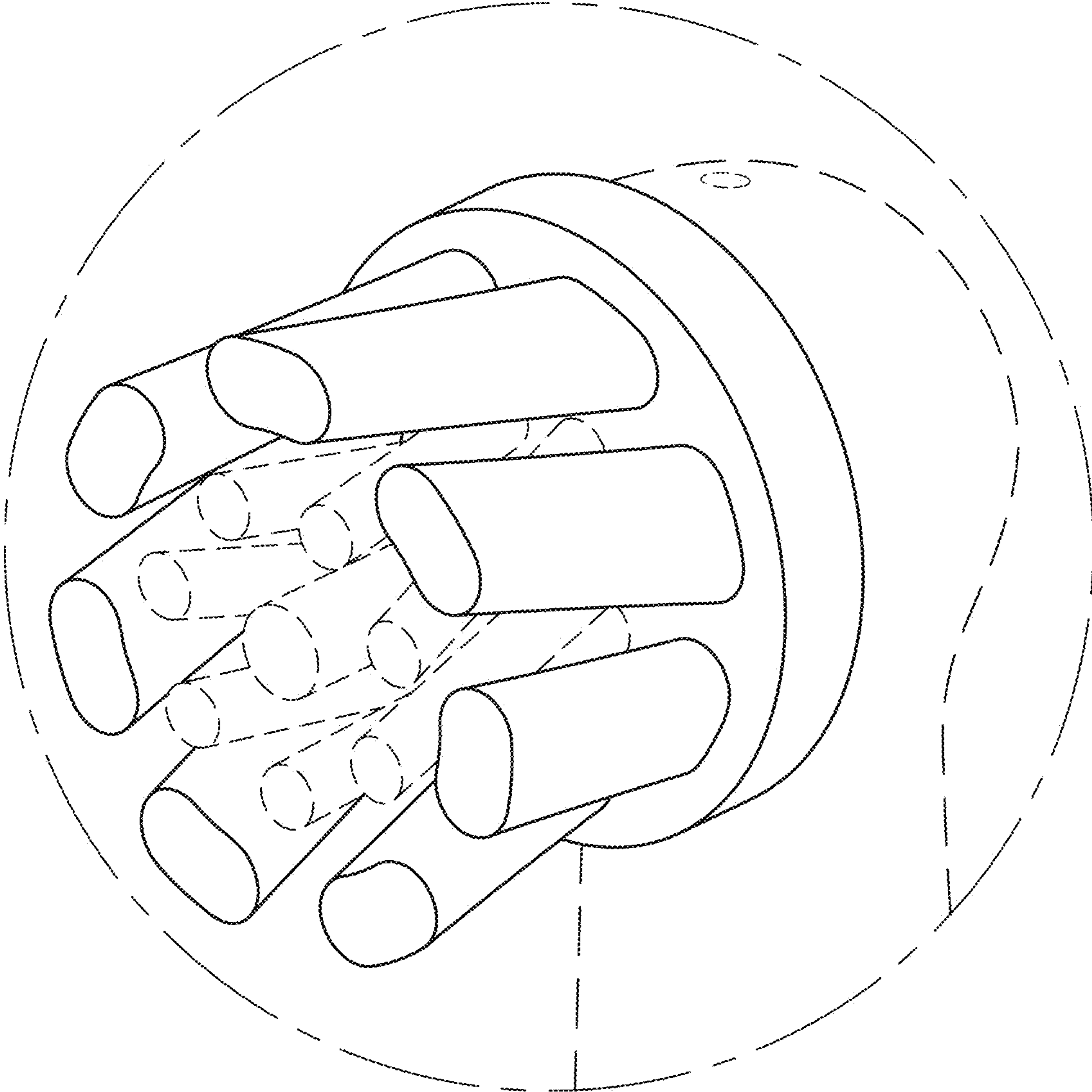


FIG. 105

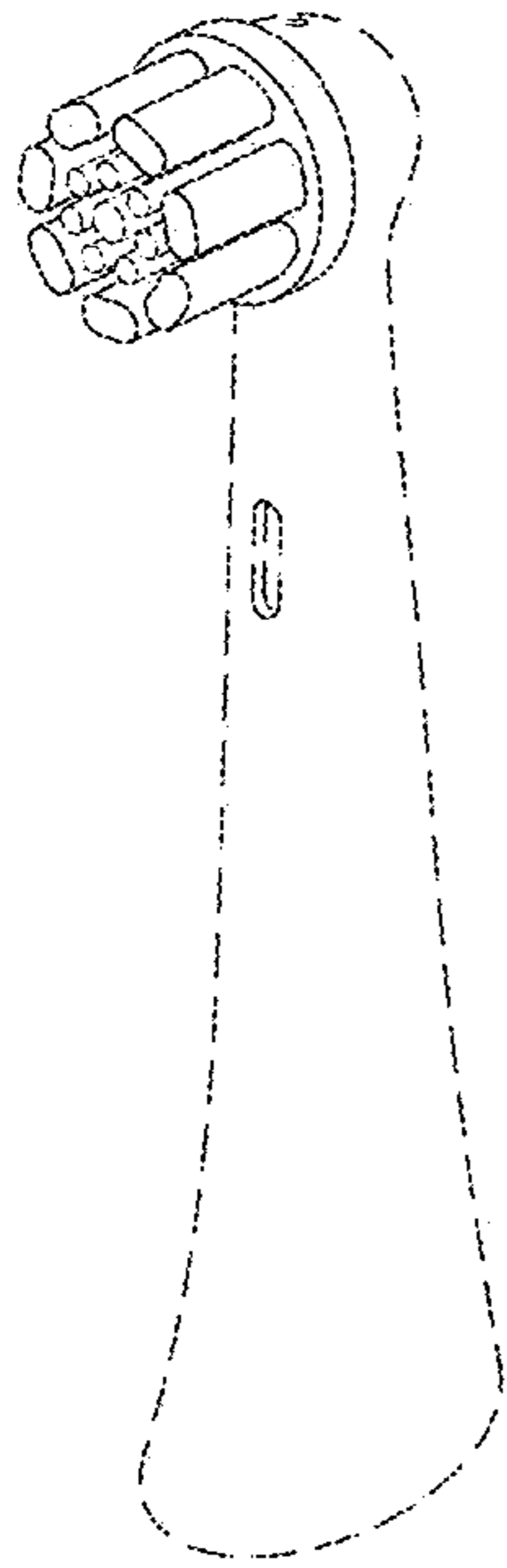


FIG. 106

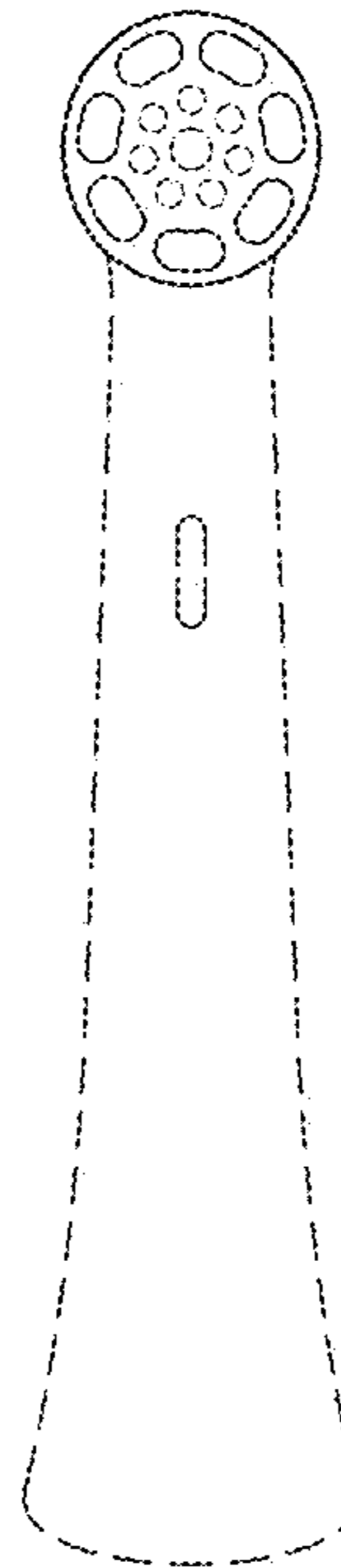


FIG. 107

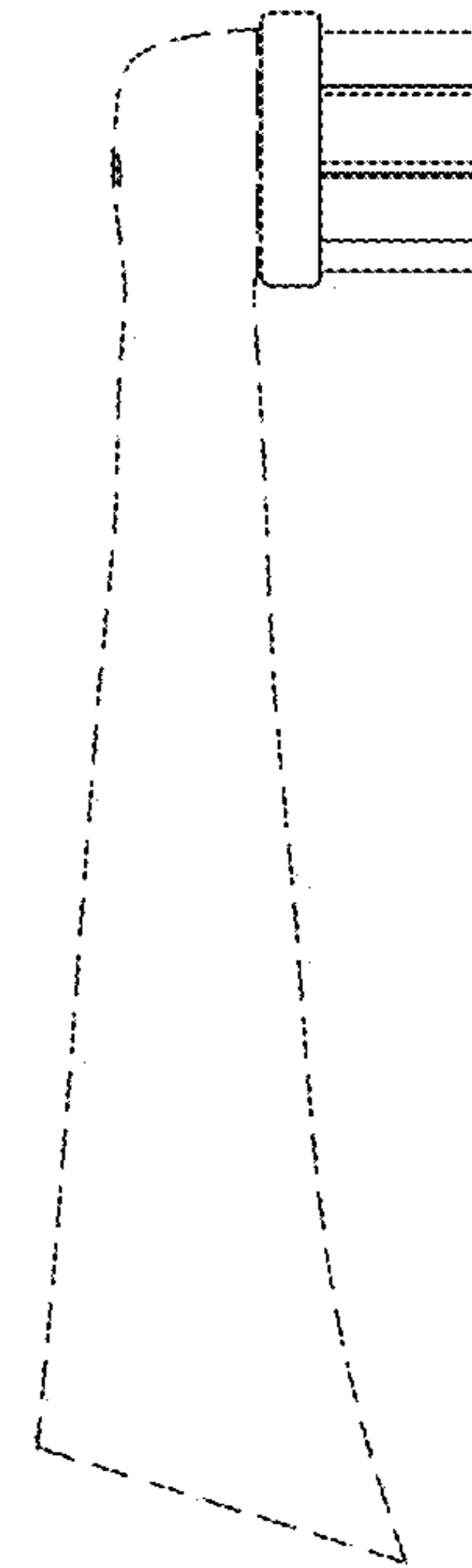


FIG. 108

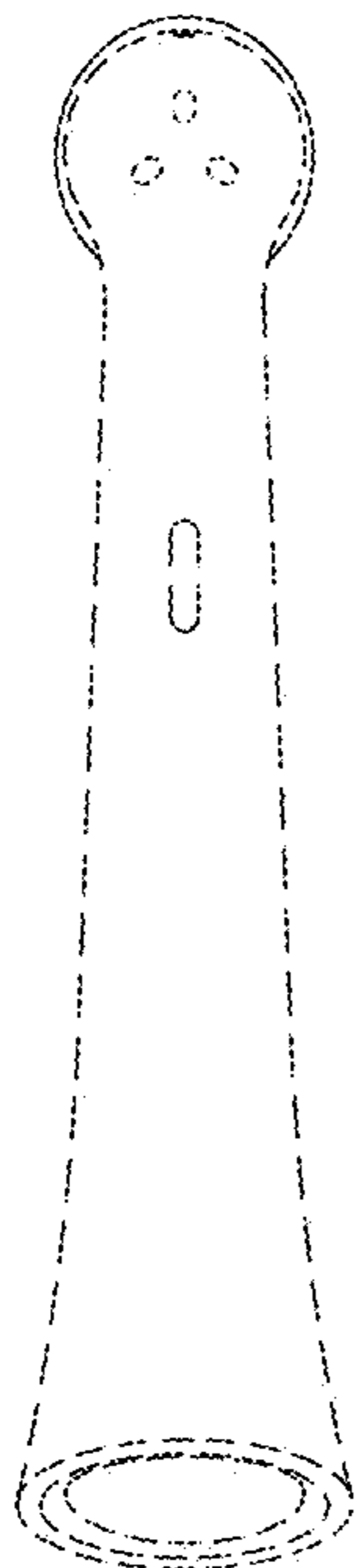


FIG. 109

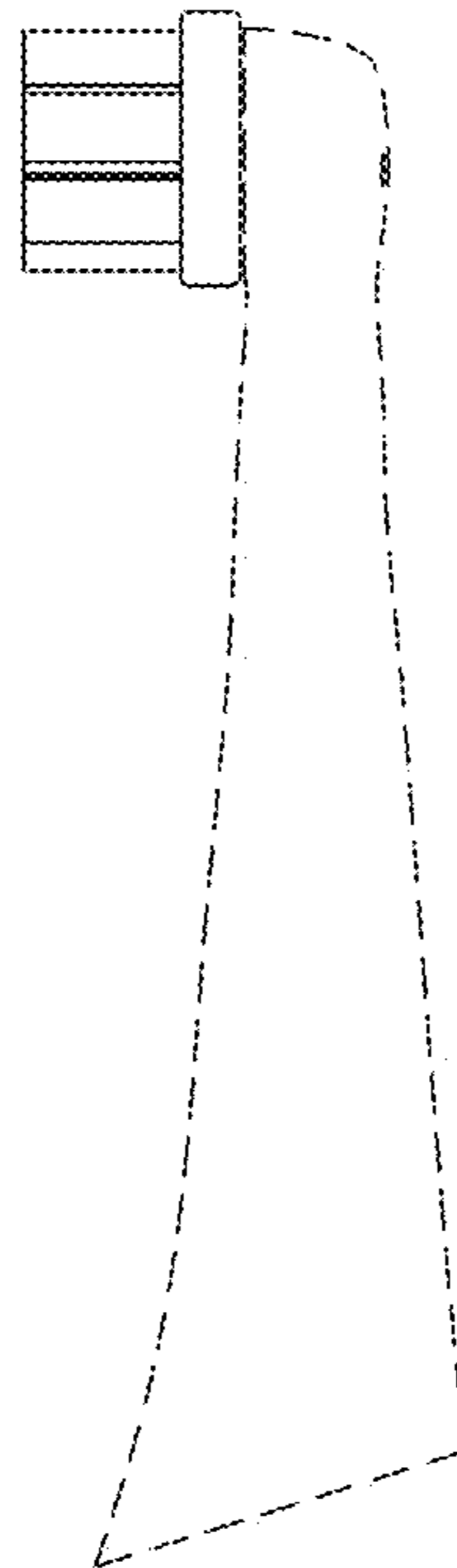


FIG. 110

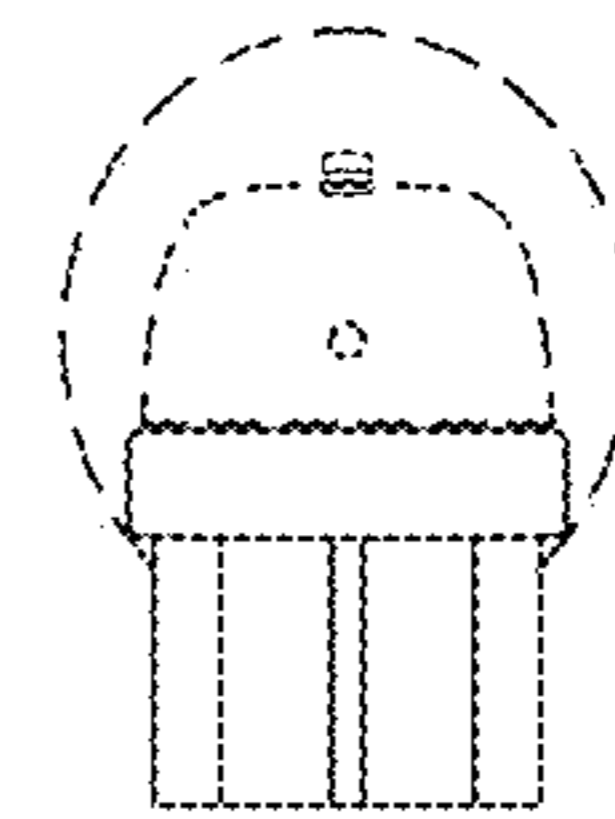


FIG. 111

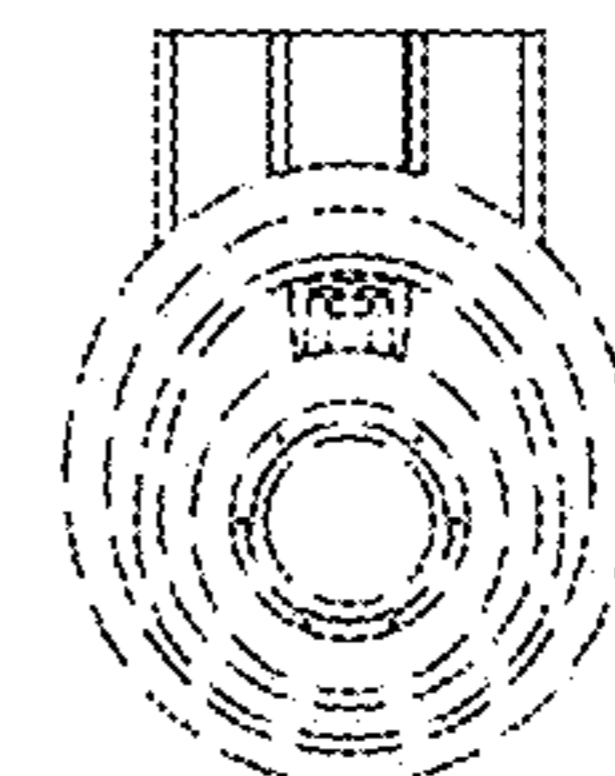


FIG. 112

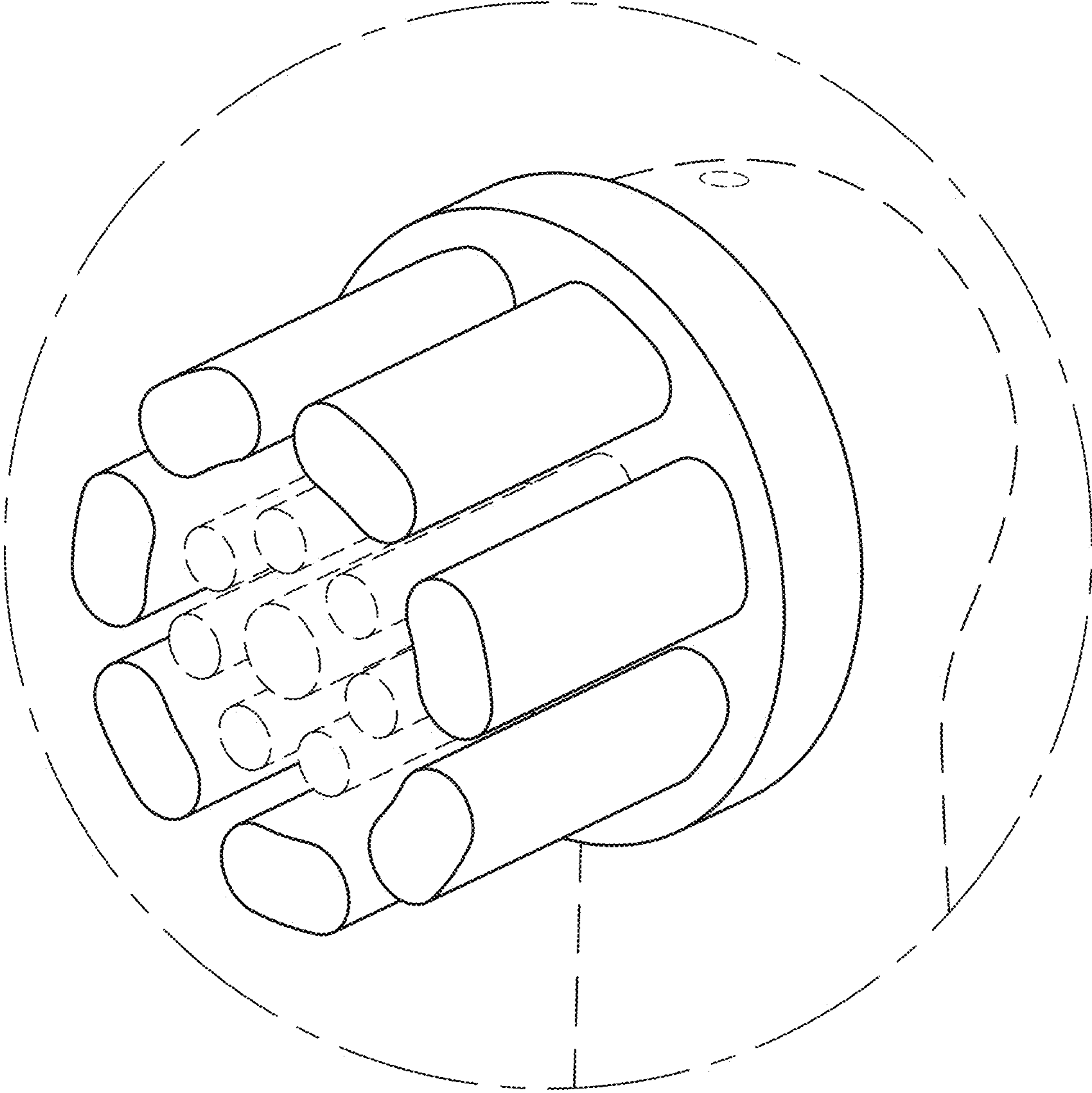


FIG. 113



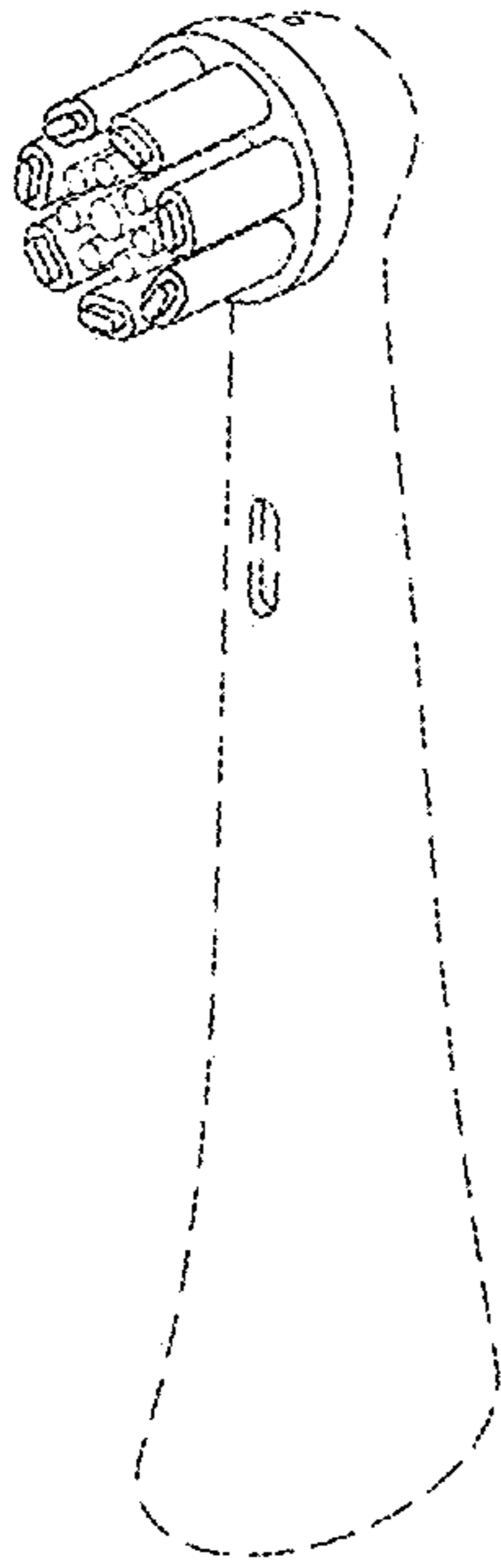


FIG. 114

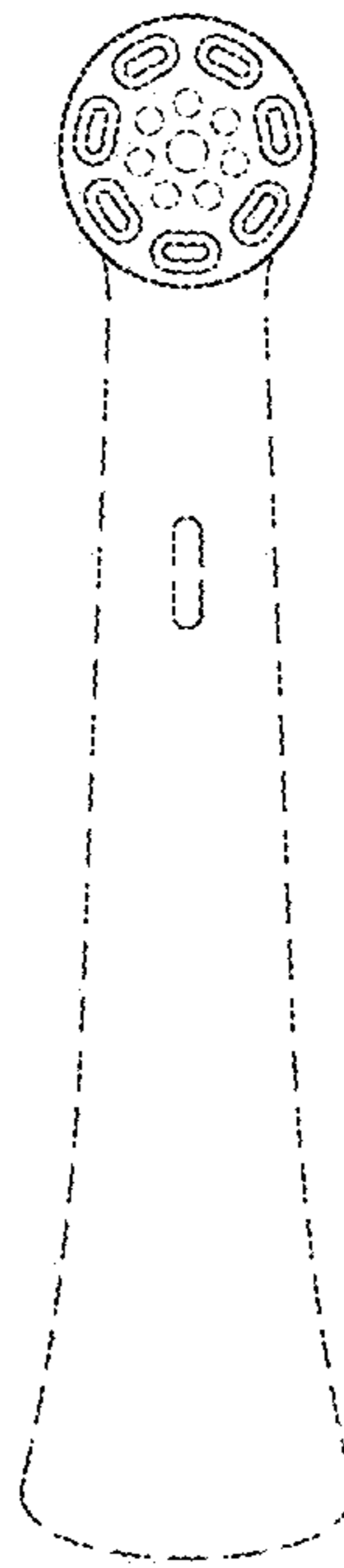


FIG. 115

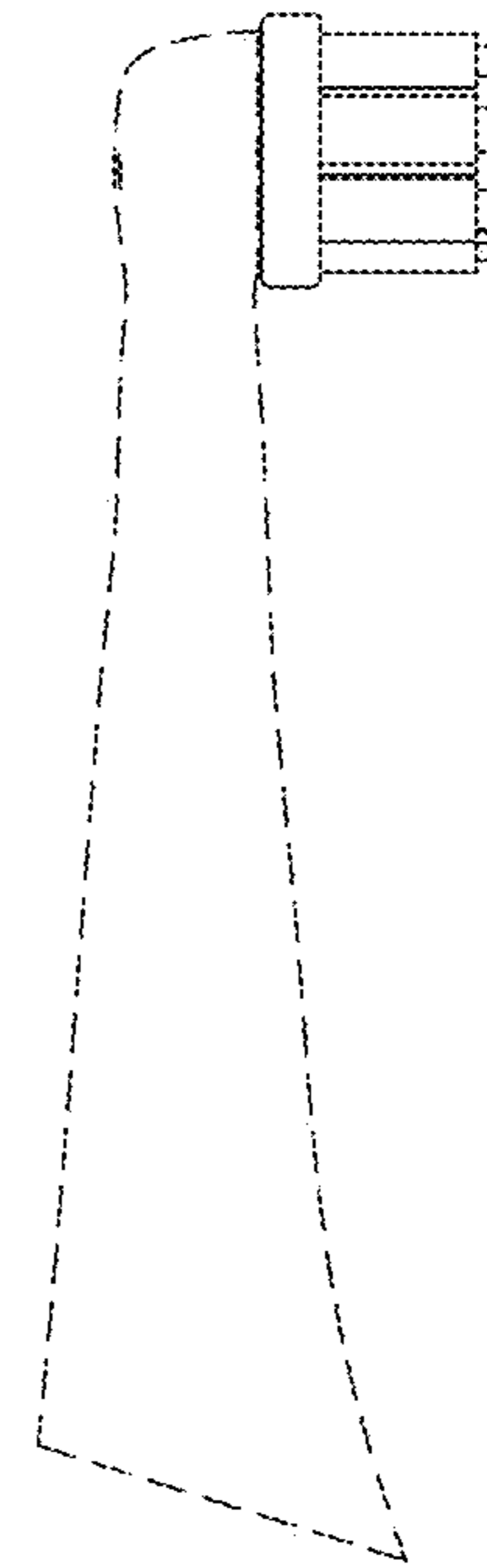


FIG. 116

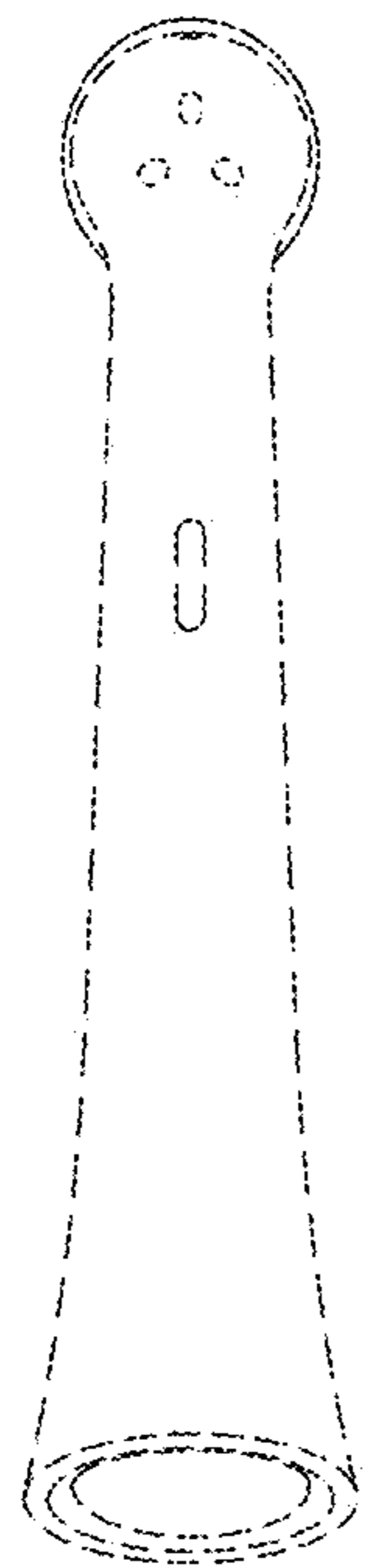


FIG. 117



FIG. 118

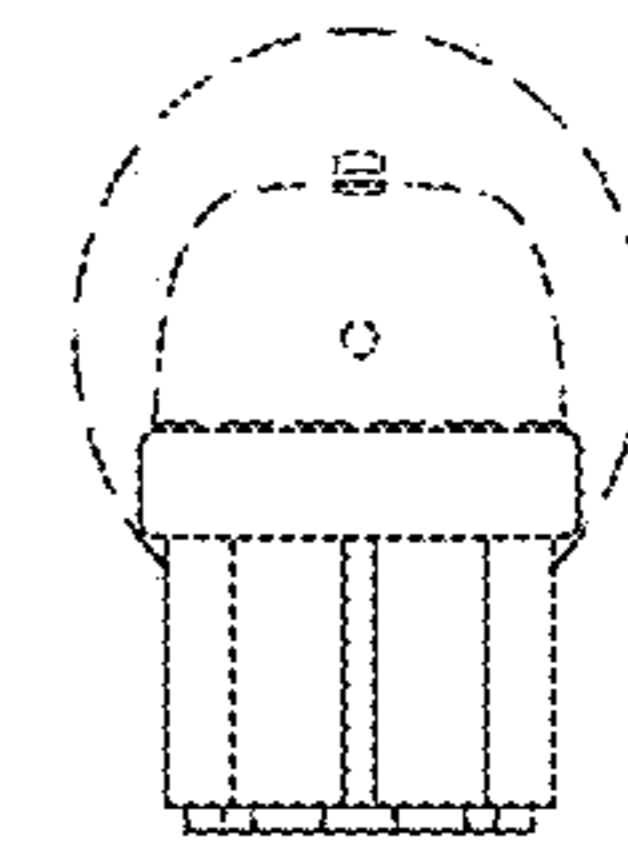


FIG. 119

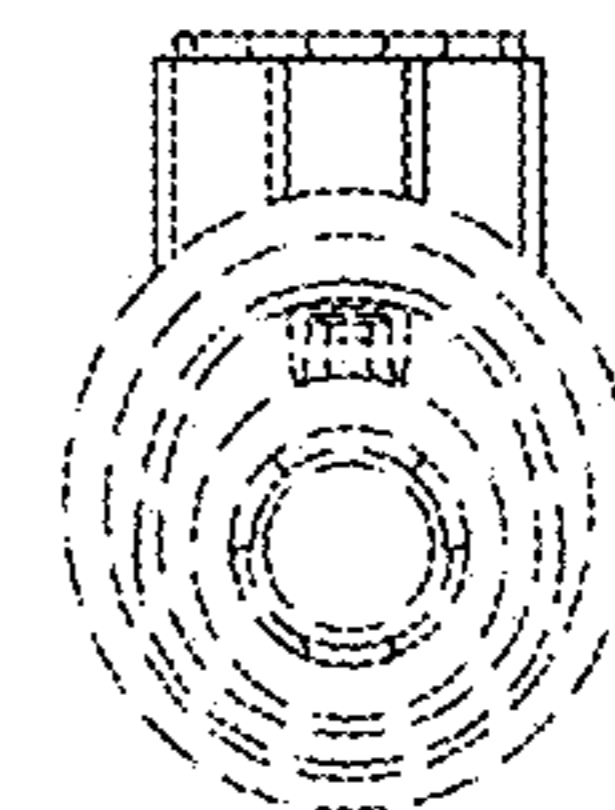


FIG. 120

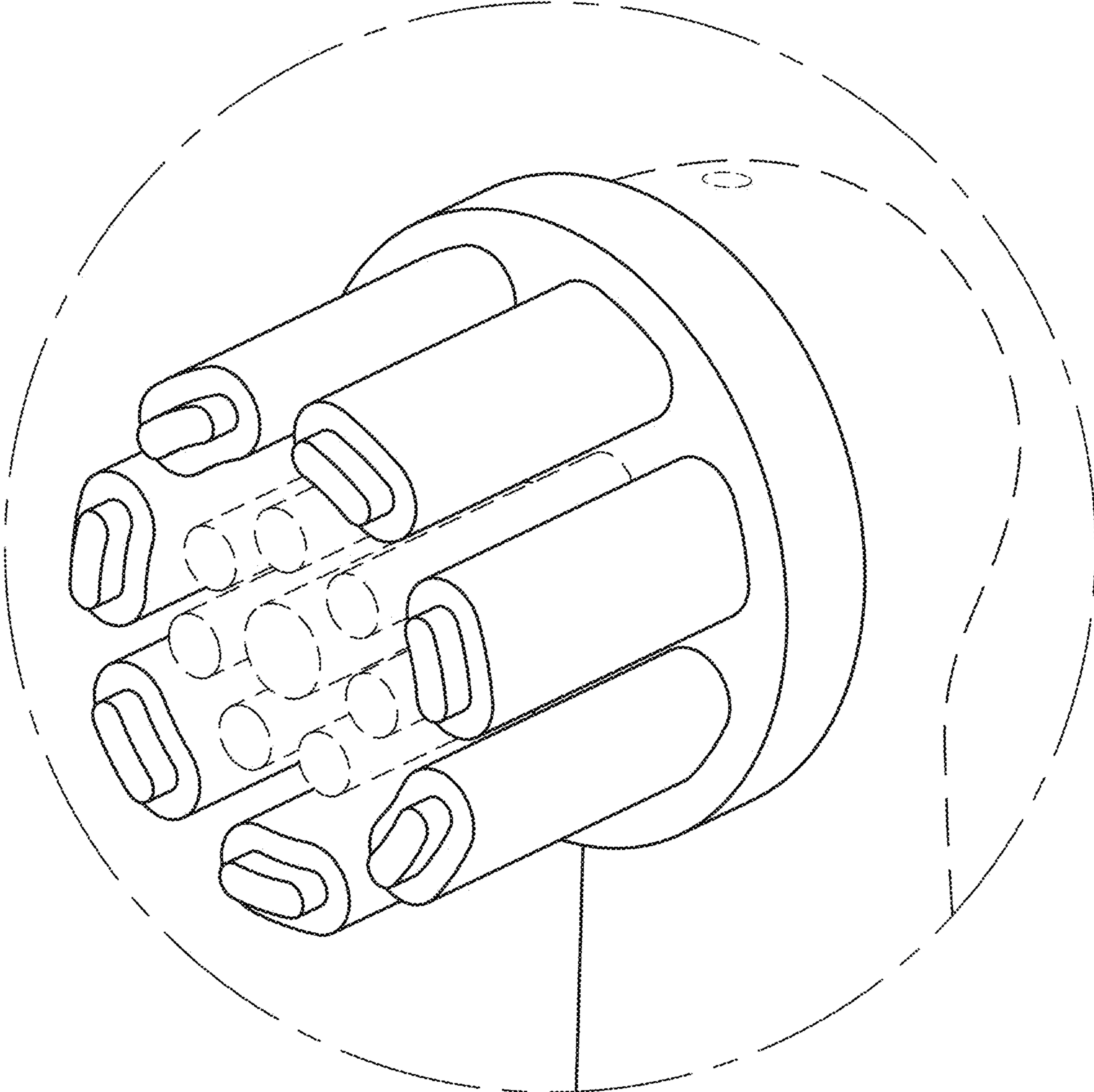


FIG. 121