



US00D950246S

(12) **United States Design Patent** (10) **Patent No.:** **US D950,246 S**
Nabil Gadenne (45) **Date of Patent:** **** May 3, 2022**

(54) **BAG HANGER**

(71) Applicant: **RIMOWA GmbH**, Cologne (DE)

(72) Inventor: **Guillaume Henri Nabil Gadenne**, Houilles (FR)

(**) Term: **15 Years**

(21) Appl. No.: **35/511,230**

(22) Filed: **Dec. 18, 2020**

(80) **Hague Agreement Data**

Int. Filing Date: **Dec. 18, 2020**

Int. Reg. No.: **DM/212302**

Int. Reg. Date: **Dec. 18, 2020**

Int. Reg. Pub. Date: **Jan. 29, 2021**

(51) **LOC (13) Cl.** **03-99**

(52) **U.S. Cl.**
USPC **D3/328**

(58) **Field of Classification Search**
USPC D3/328, 304; D6/315, 327; D8/367, D8/373; D9/443

CPC A47G 29/083; A45C 15/00
See application file for complete search history.

(56) **References Cited**

U.S. PATENT DOCUMENTS

- 3,085,678 A * 4/1963 Moore A47K 11/10
312/328
- 4,194,714 A * 3/1980 Schultz A47G 29/083
116/DIG. 1
- D274,667 S * 7/1984 Thompson D34/6
- D315,269 S * 3/1991 Brazis D6/551
- 5,094,417 A * 3/1992 Creed A47G 29/083
248/339
- D374,603 S * 10/1996 Brown D8/373
- D435,733 S * 1/2001 Osterholt D8/367
- D517,732 S * 3/2006 Osterholt D3/328
- D556,970 S * 12/2007 Licari D34/4
- D596,859 S * 7/2009 Castaline D3/328
- D599,188 S * 9/2009 Ingalsbe D8/328

- D767,036 S * 9/2016 Hammar D20/43
- D806,542 S * 1/2018 Lourie D9/443
- D942,842 S * 2/2022 Yan D8/367
- 2004/0118989 A1 * 6/2004 Sidelman A47G 29/083
248/339

(Continued)

Primary Examiner — Darlington Ly

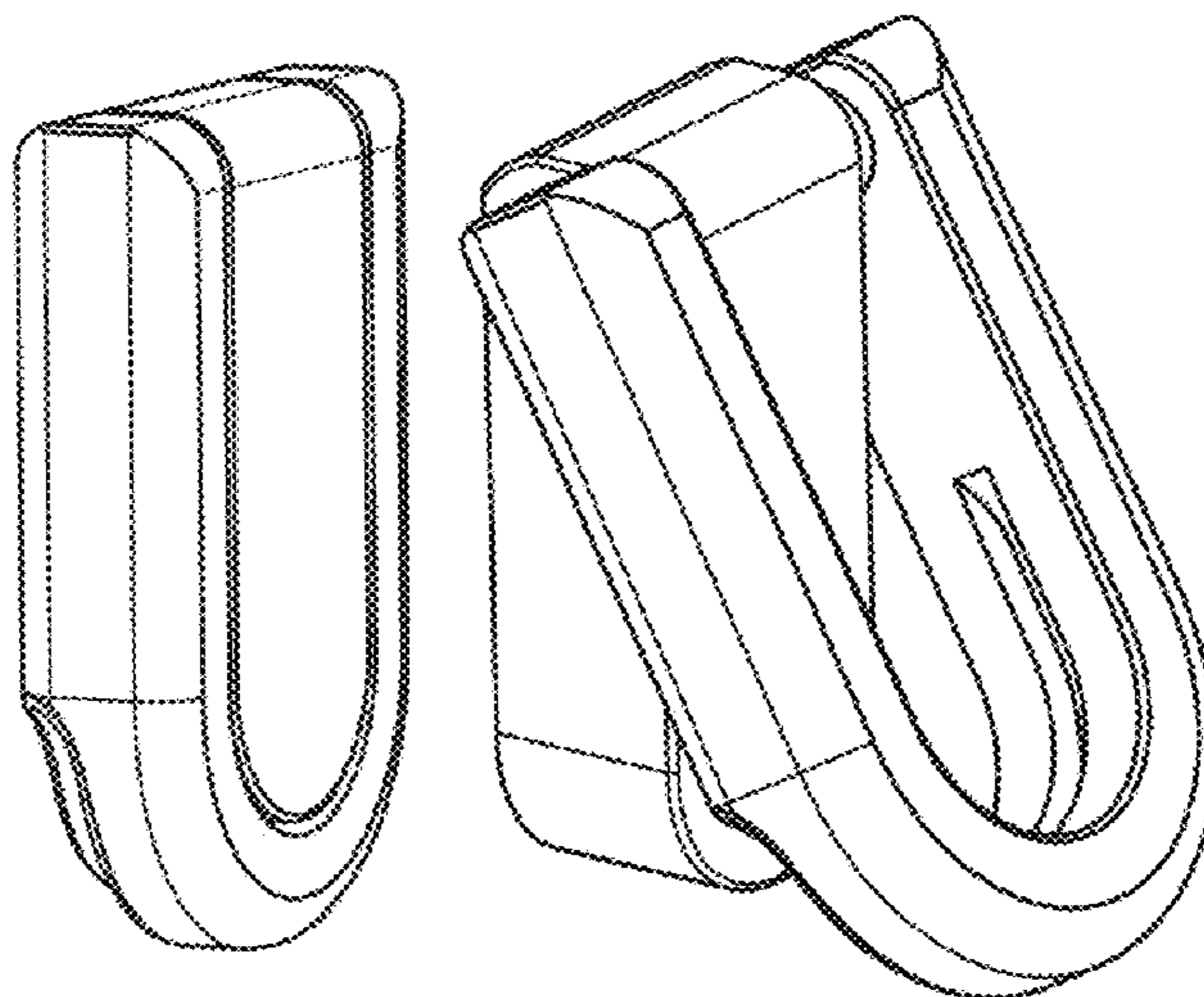
(57) **CLAIM**

The ornamental design for a bag hanger, as shown and described.

DESCRIPTION

- 1.-3. Bag hanger
- 1.1 is a perspective view of a bag hanger embodying my new design in accordance to a first embodiment;
- 1.2 is a front elevation view thereof;
- 1.3 is a rear elevation view thereof;
- 1.4 is a right side elevation view thereof;
- 1.5 is a left side elevation view thereof;
- 1.6 is a top plan view thereof; and
- 1.7 is a bottom plan view thereof.
- 2.1 is a perspective view of a bag hanger embodying my new design in accordance to a second embodiment of a partially opened state;
- 2.2 is a front elevation view thereof;
- 2.3 is a rear elevation view thereof;
- 2.4 is a right side elevation view thereof;
- 2.5 is a left side elevation view thereof;
- 2.6 is a top plan view thereof; and
- 2.7 is a bottom plan view thereof.
- 3.1 is a perspective view of a bag hanger embodying my new design in accordance to a third embodiment of a fully opened state;
- 3.2 is a front elevation view thereof;
- 3.3 is a rear elevation view thereof;
- 3.4 is a right side elevation view thereof;
- 3.5 is a left side elevation view thereof;
- 3.6 is a top plan view thereof; and
- 3.7 is a bottom plan view thereof.

1 Claim, 21 Drawing Sheets



(56)

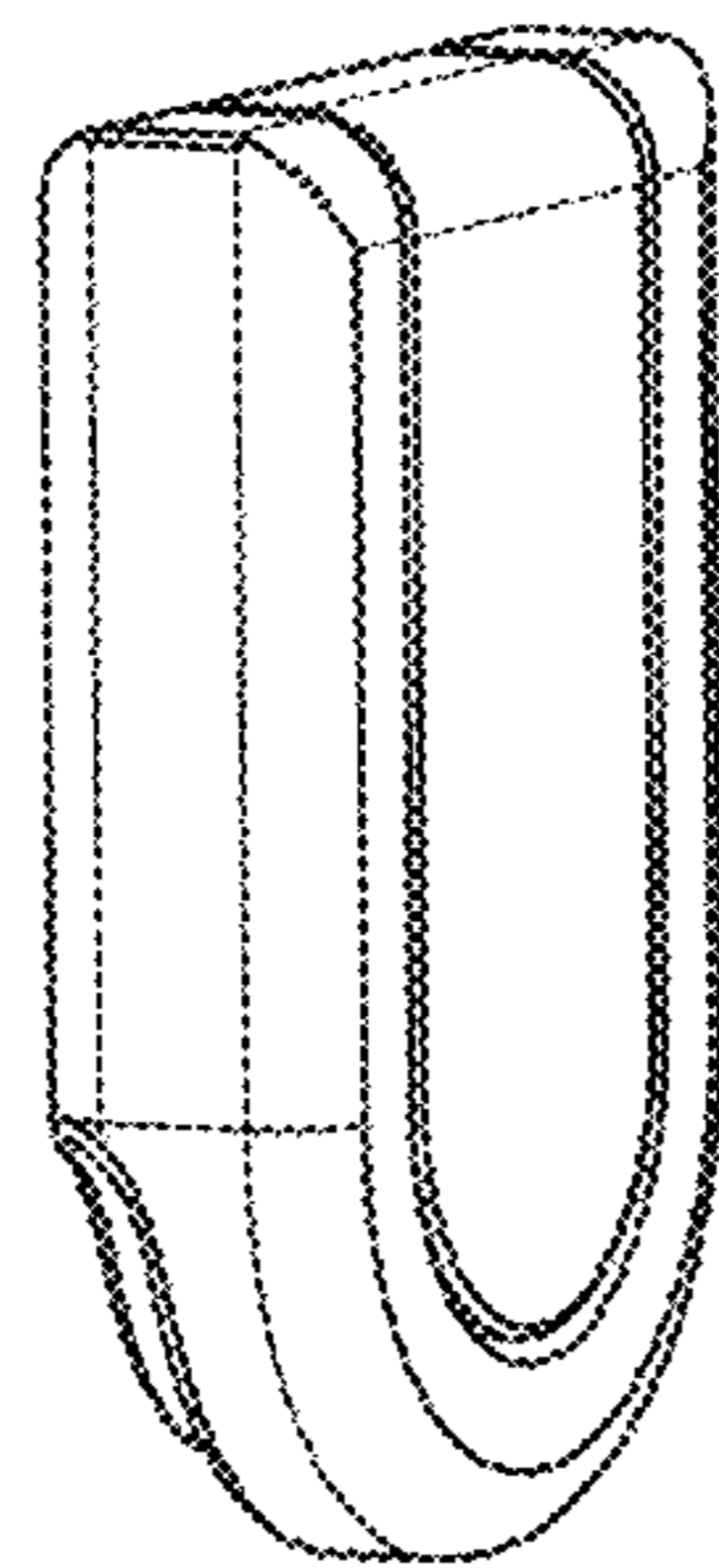
References Cited

U.S. PATENT DOCUMENTS

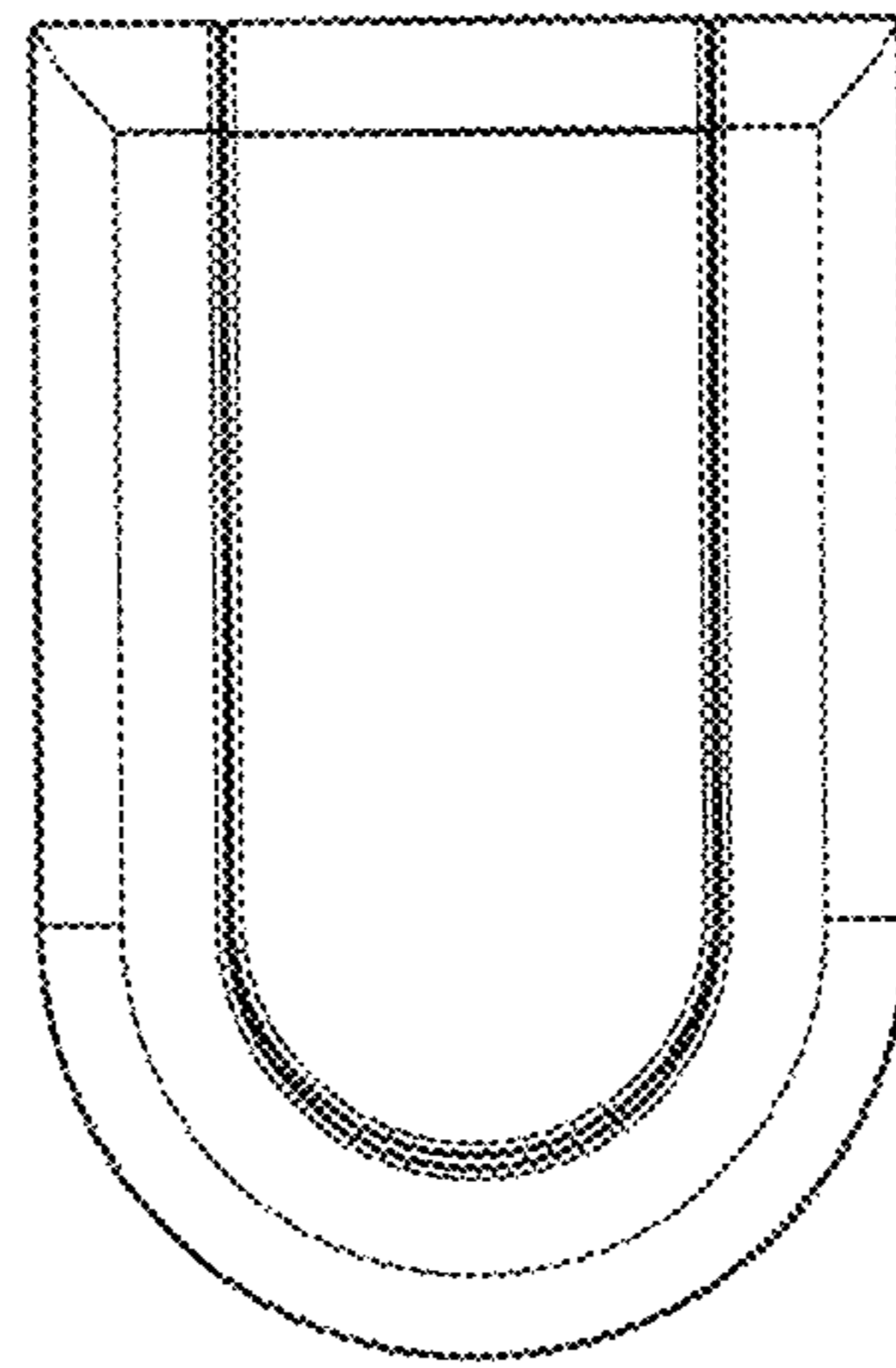
2005/0161570 A1* 7/2005 Bauerly A47G 29/083
248/304
2010/0000257 A1* 1/2010 Sweeney A44C 5/0007
63/7
2010/0025555 A1* 2/2010 Shigio A47G 29/083
248/284.1
2011/0010903 A1* 1/2011 Starbuck A47G 29/083
24/716

* cited by examiner

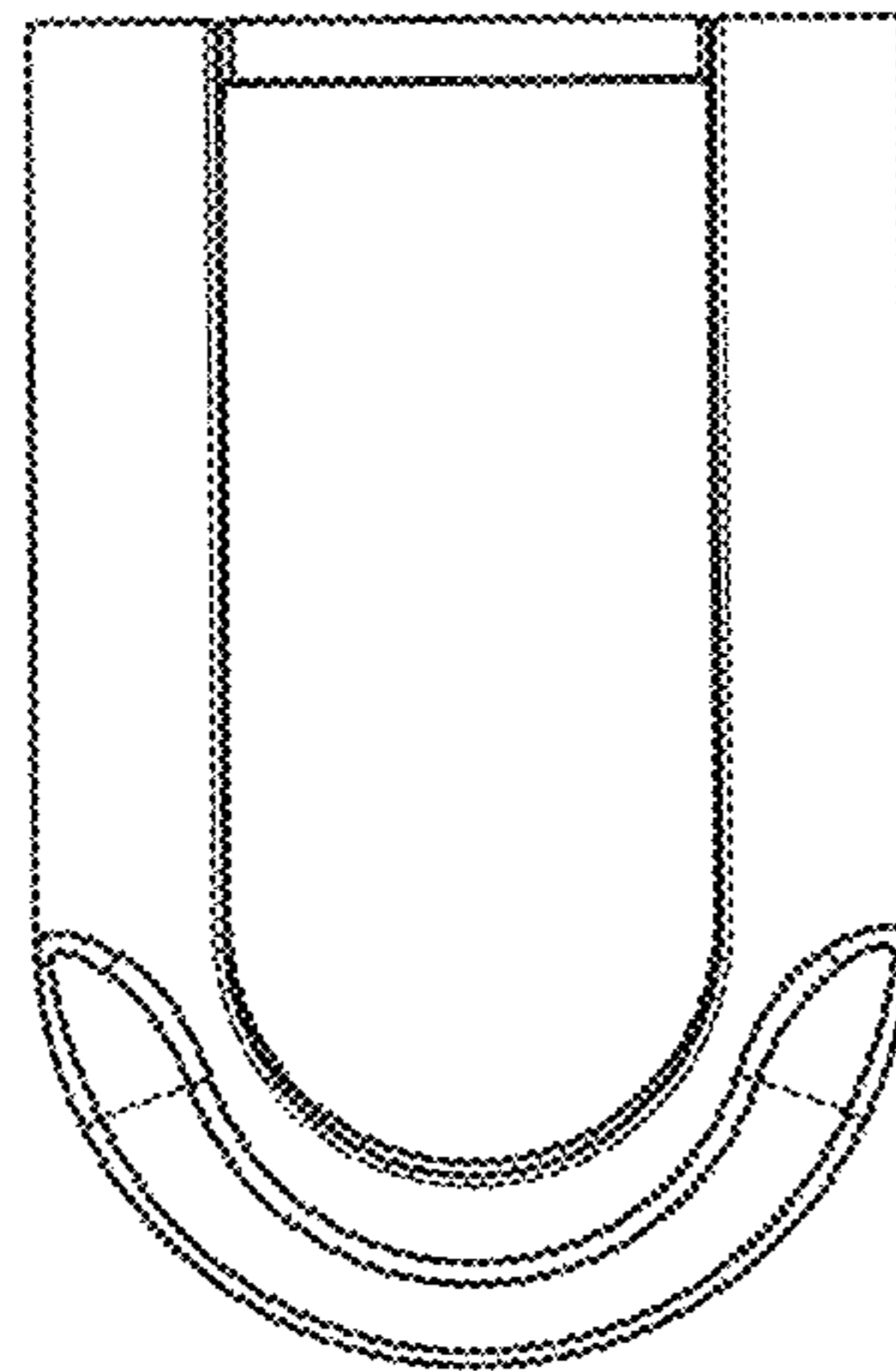
1.1



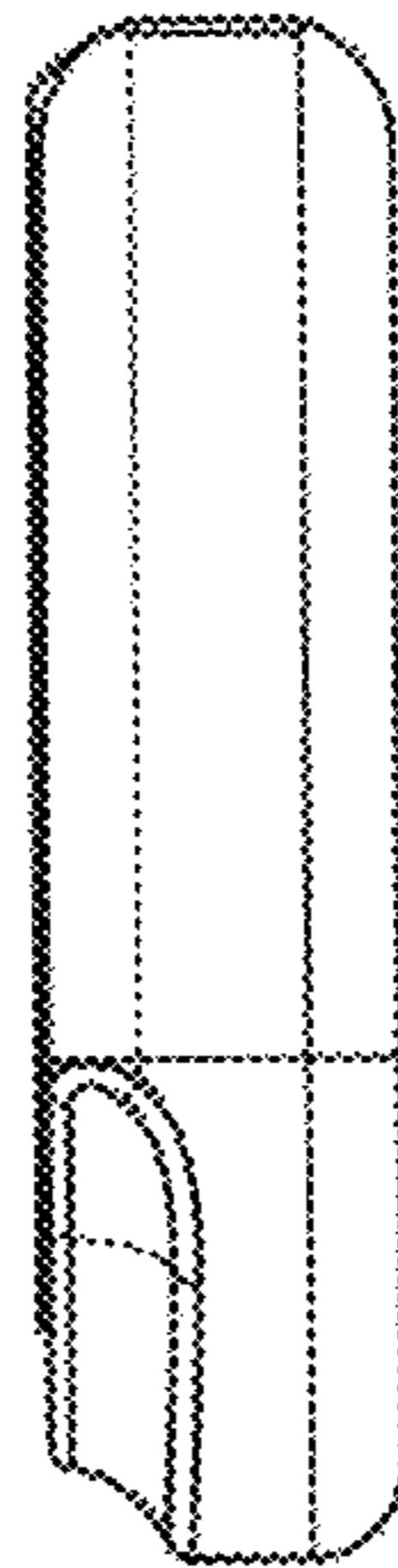
1.2



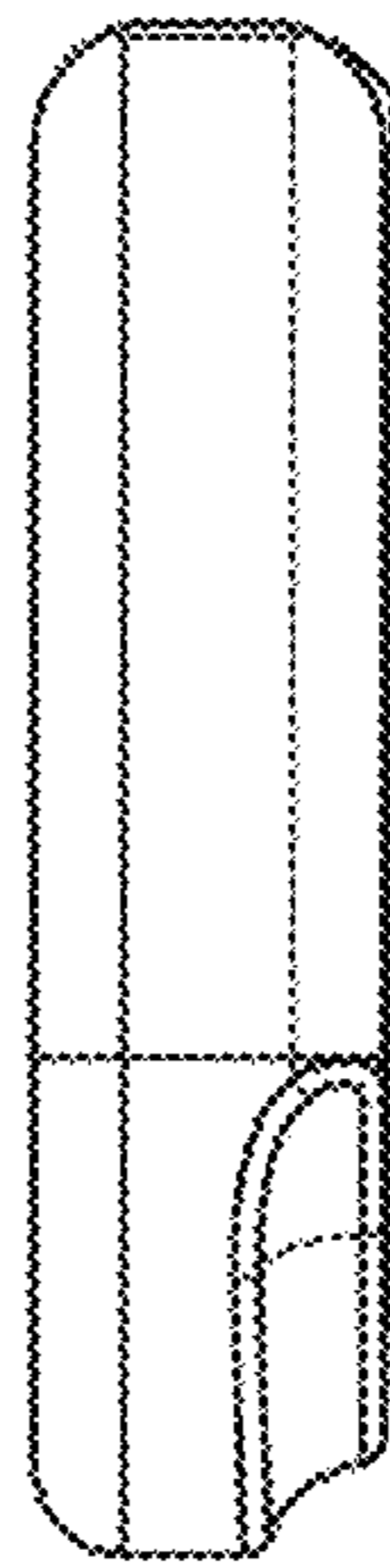
1.3



1.4



1.5



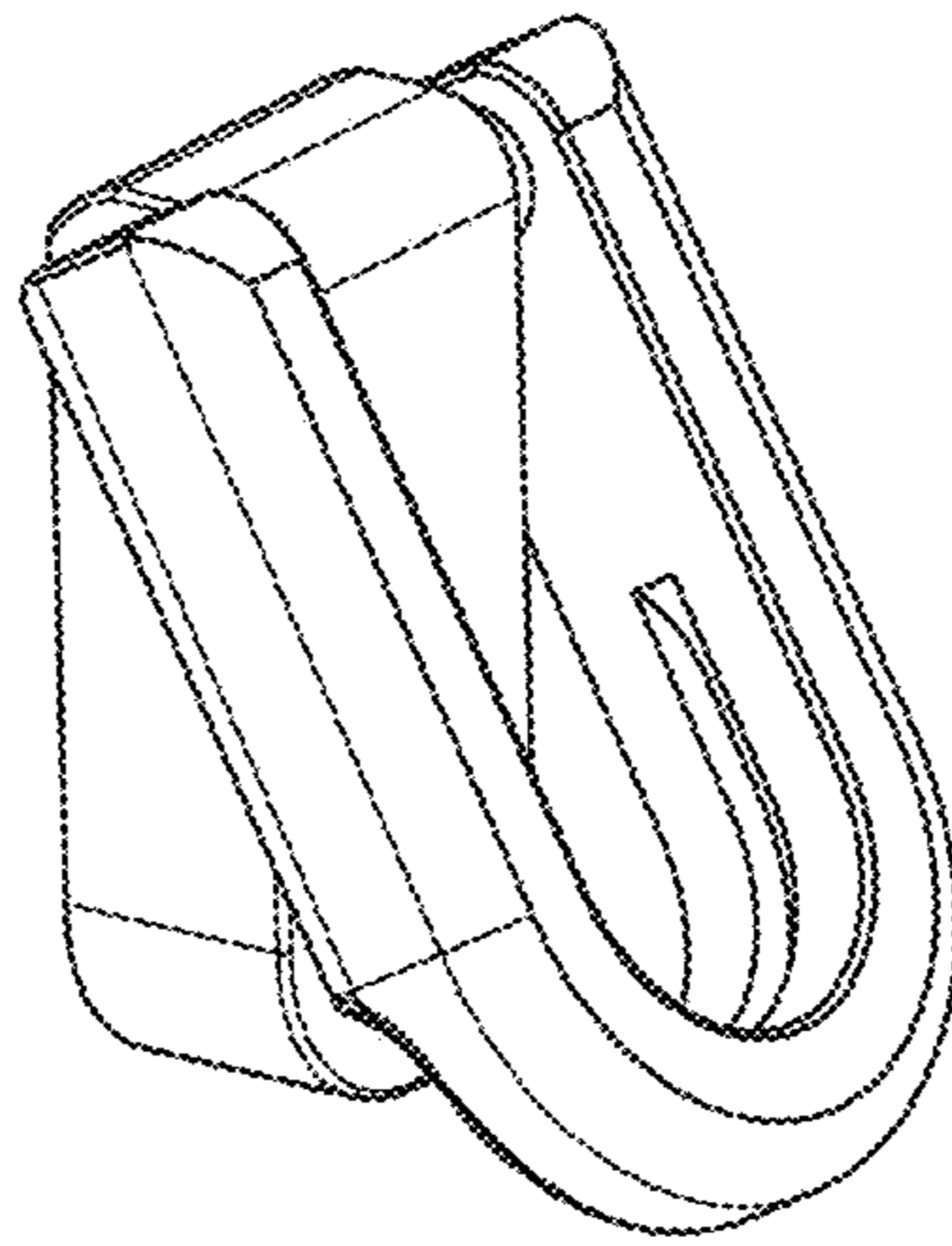
1.6



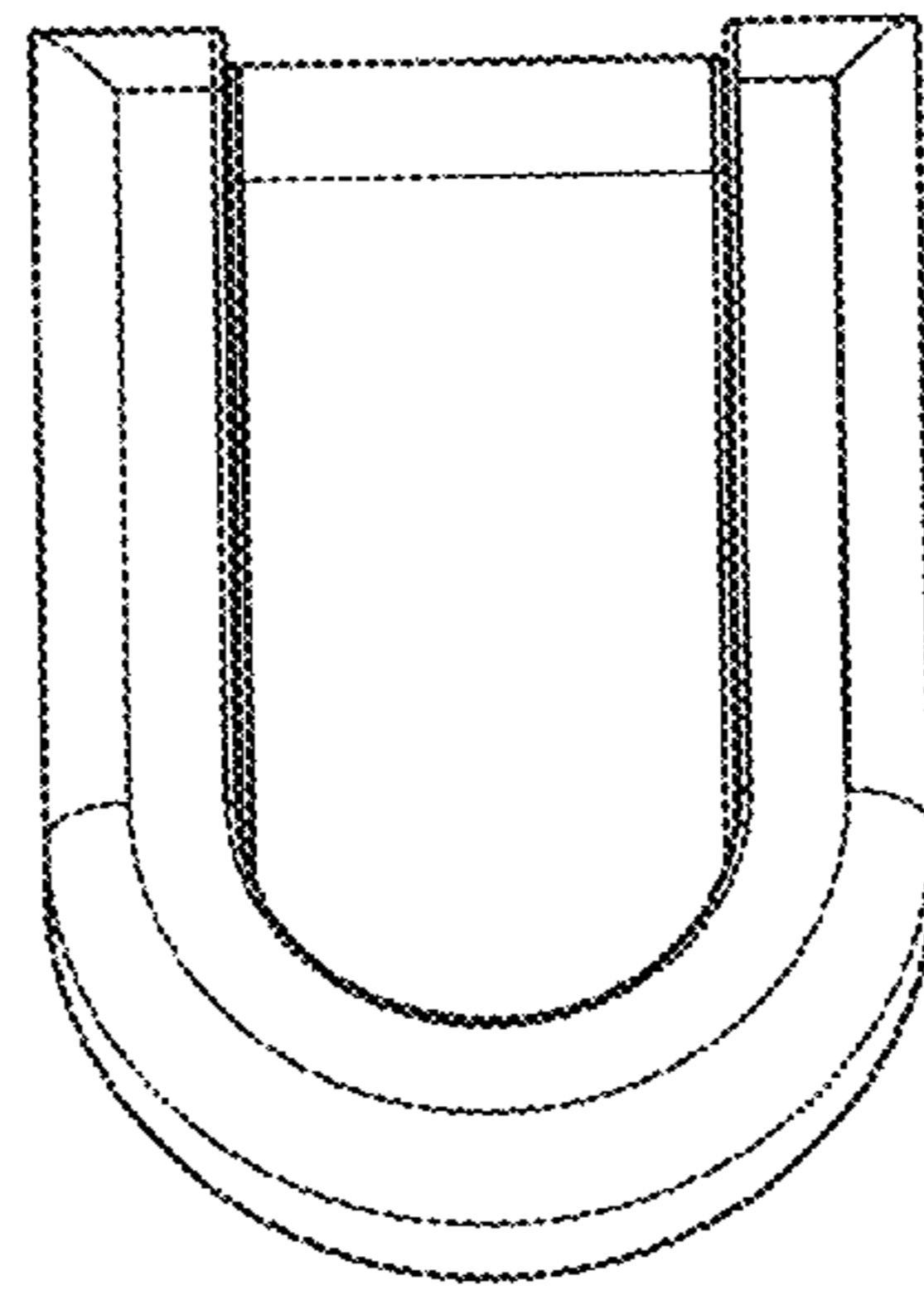
1.7



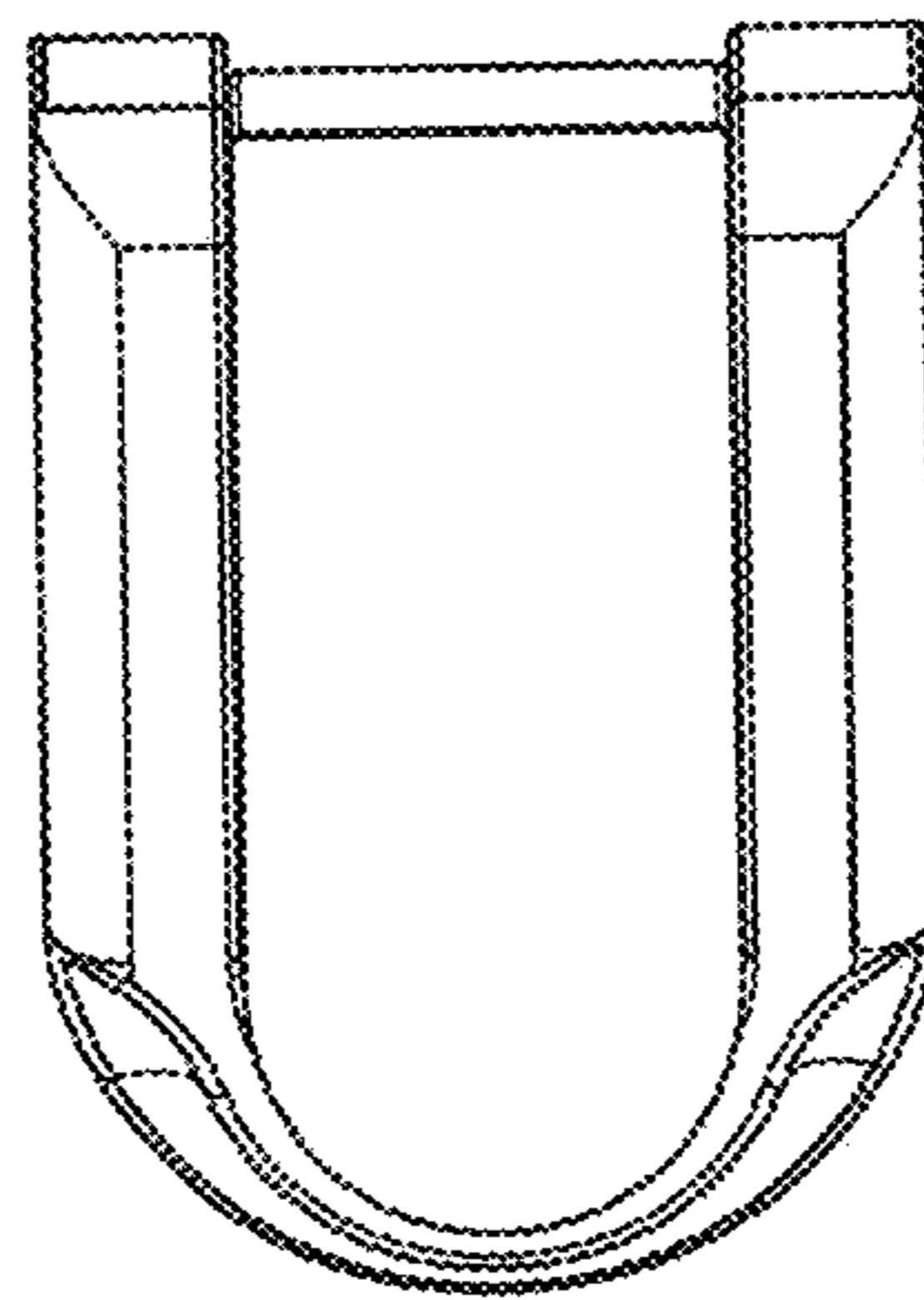
2.1



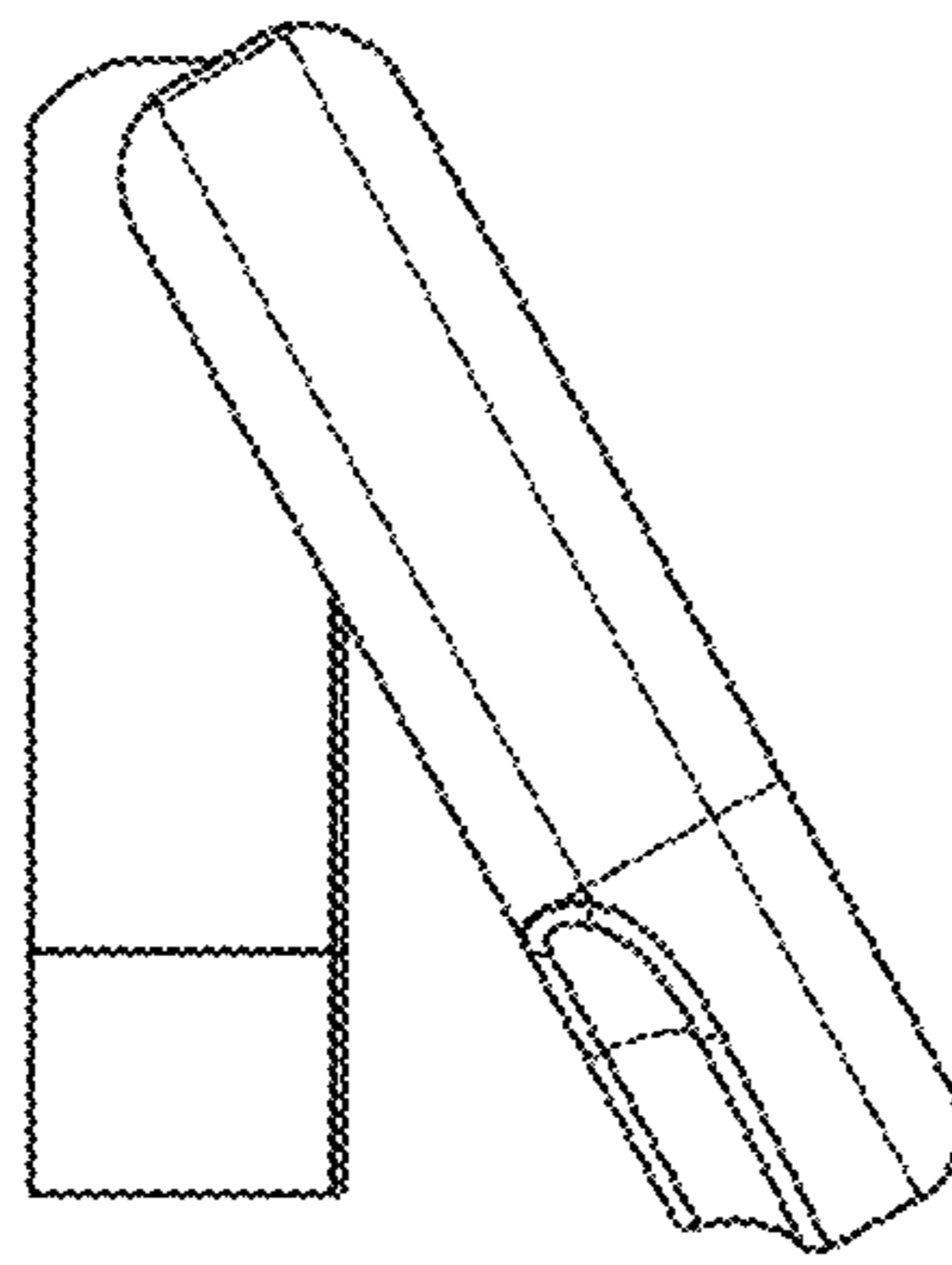
2.2



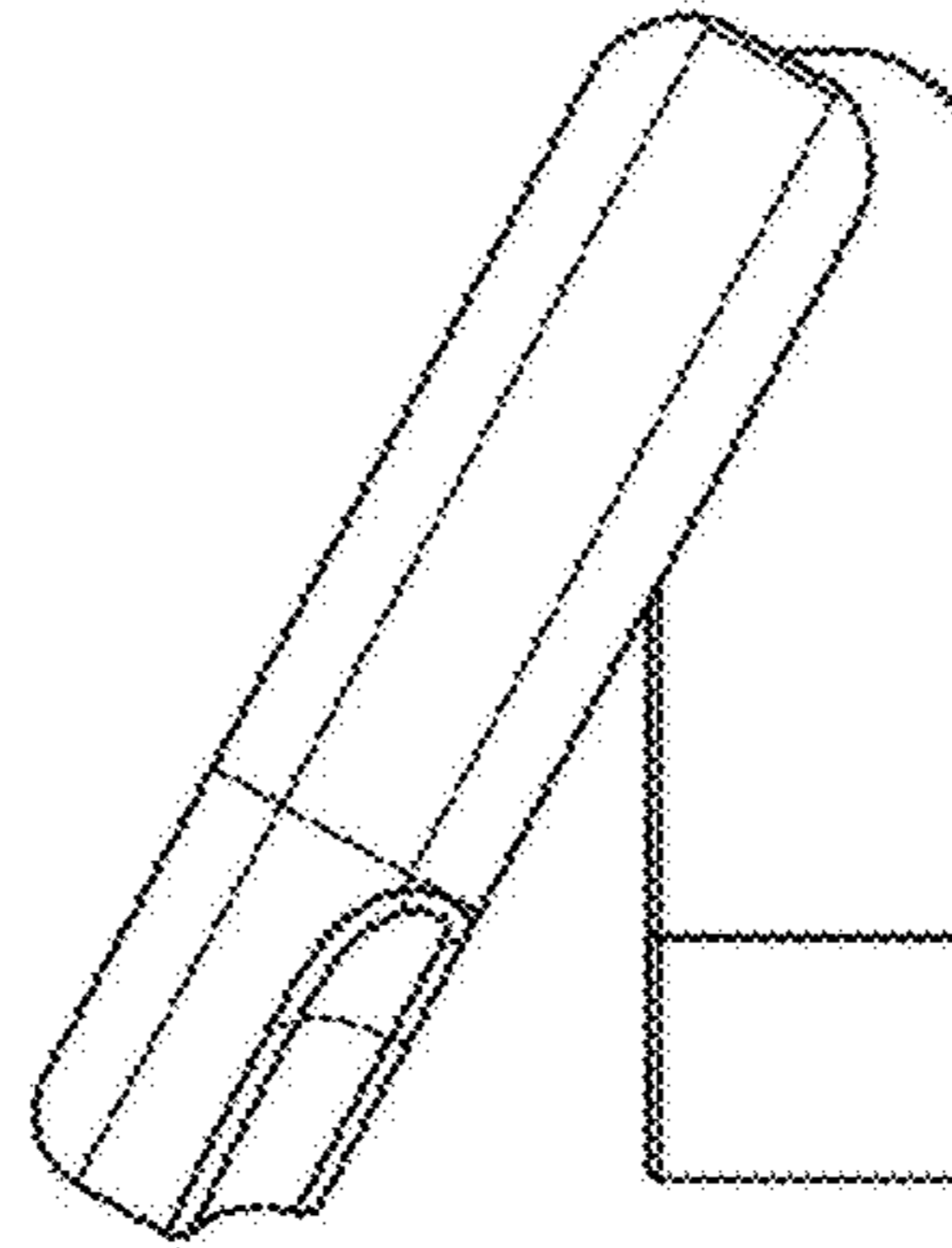
2.3



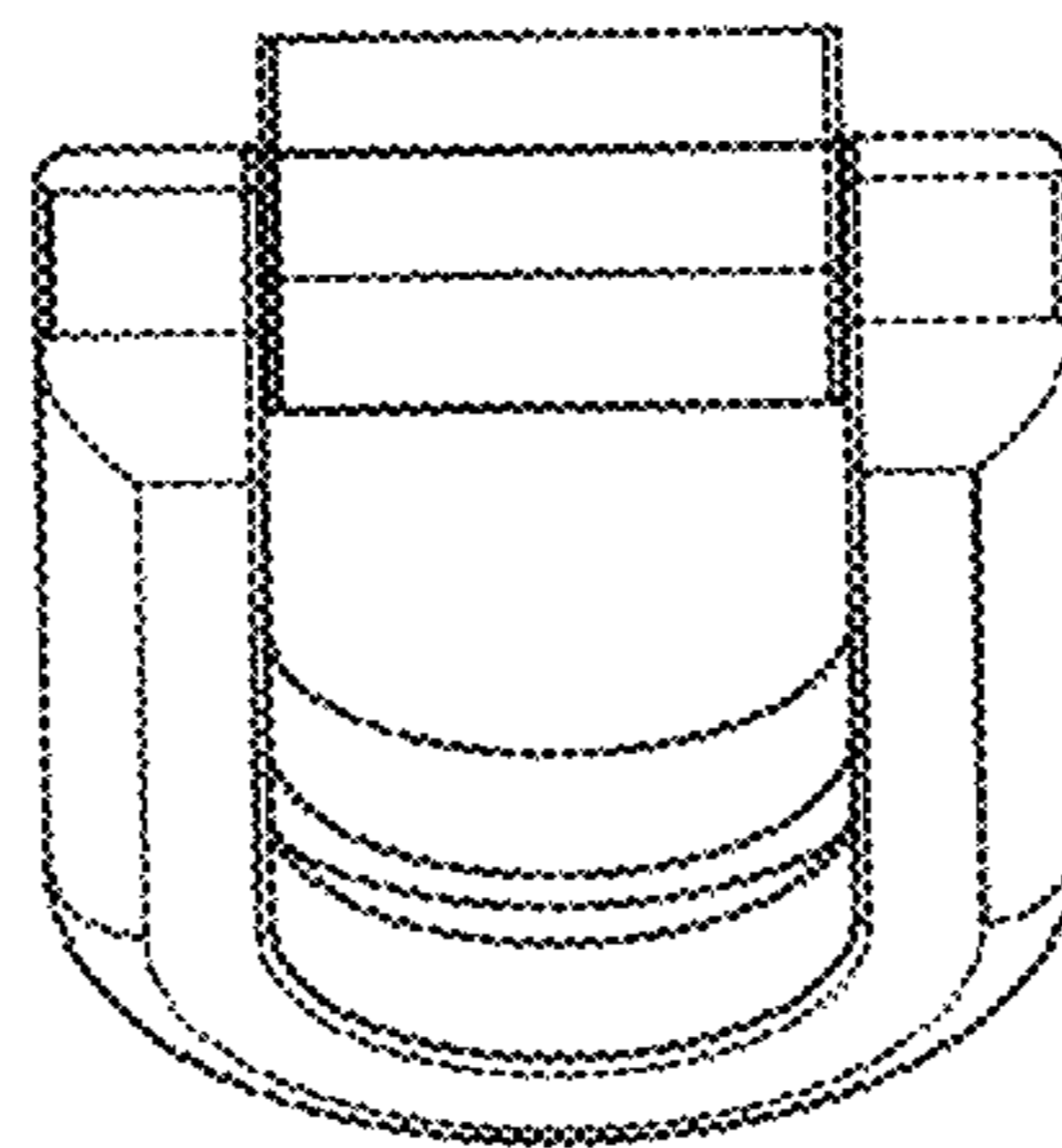
2.4



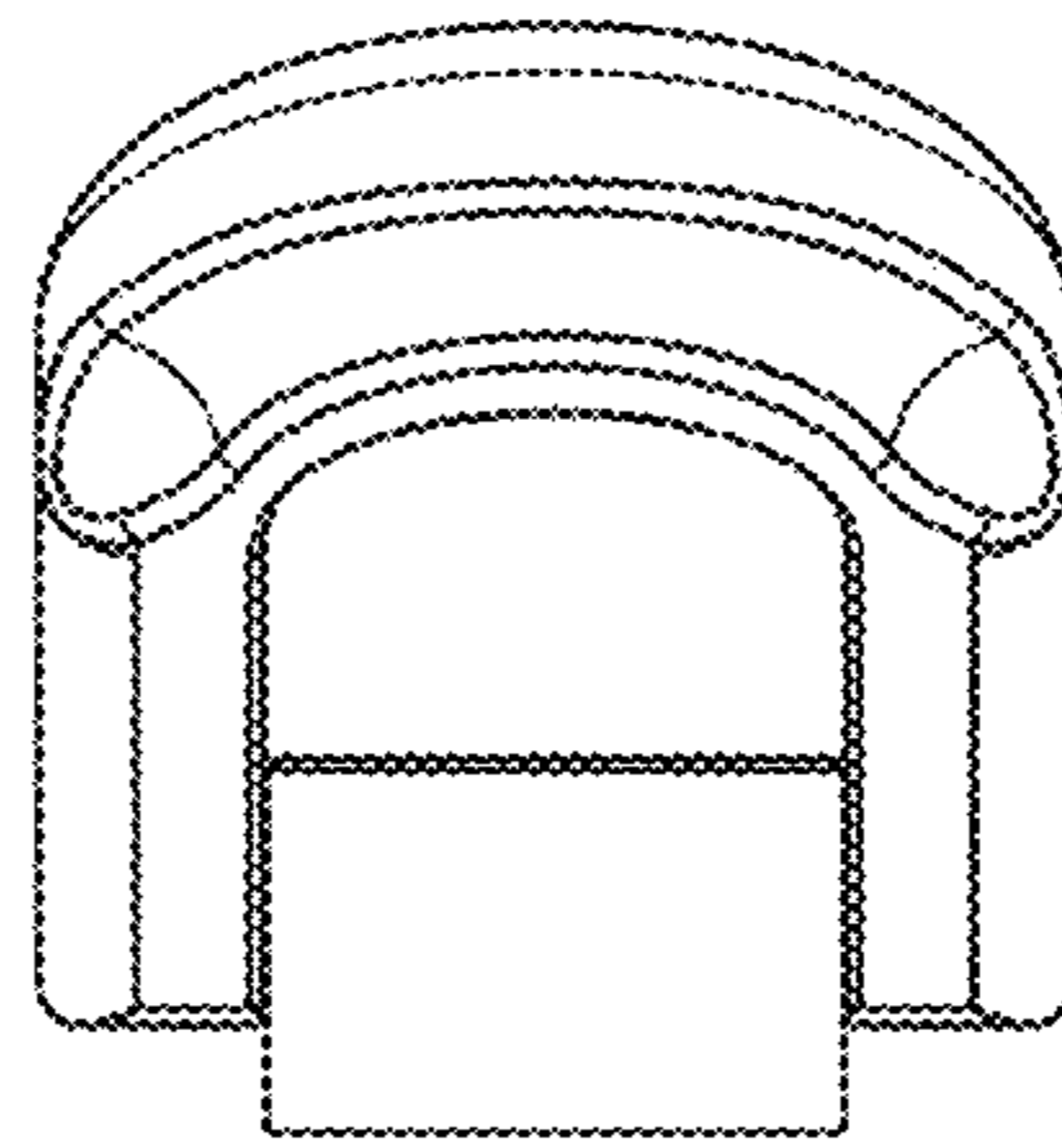
2.5



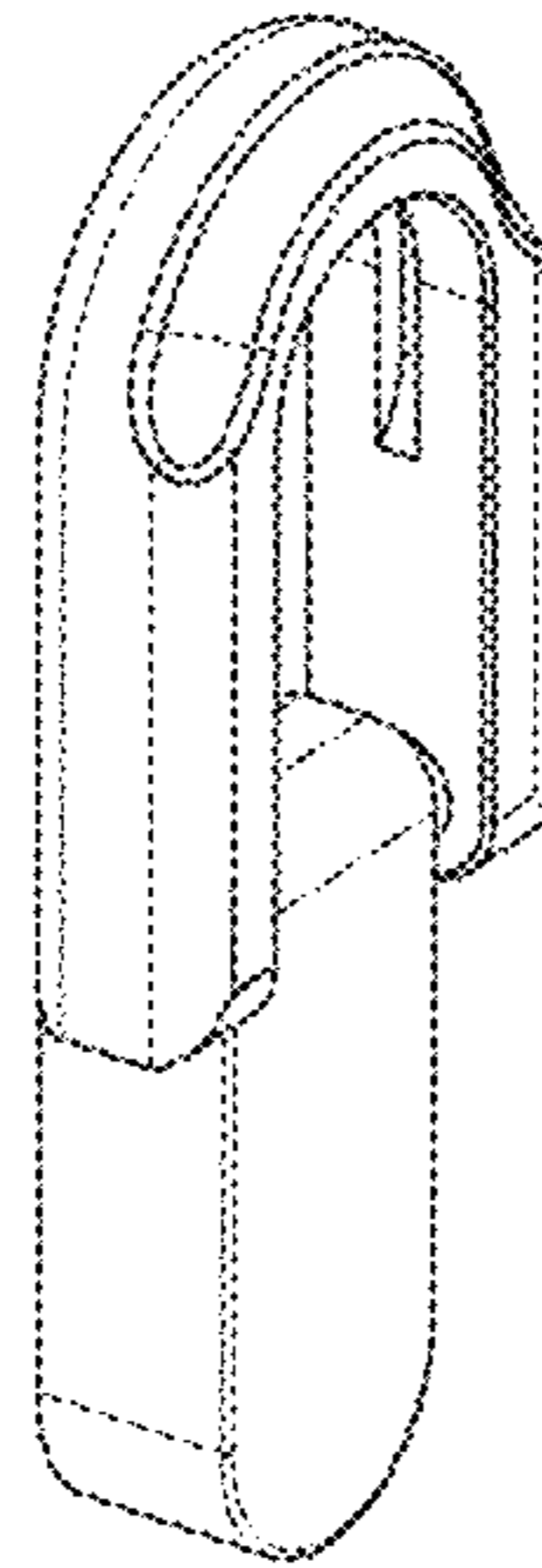
2.6



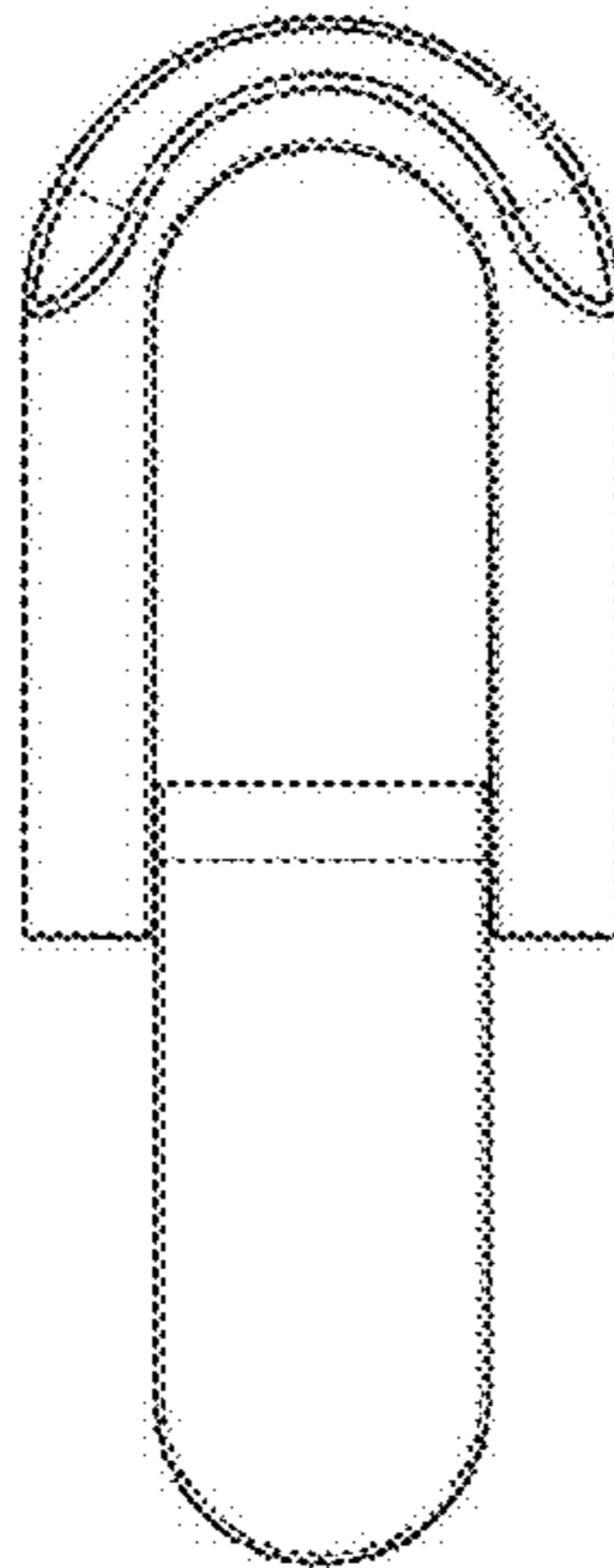
2.7



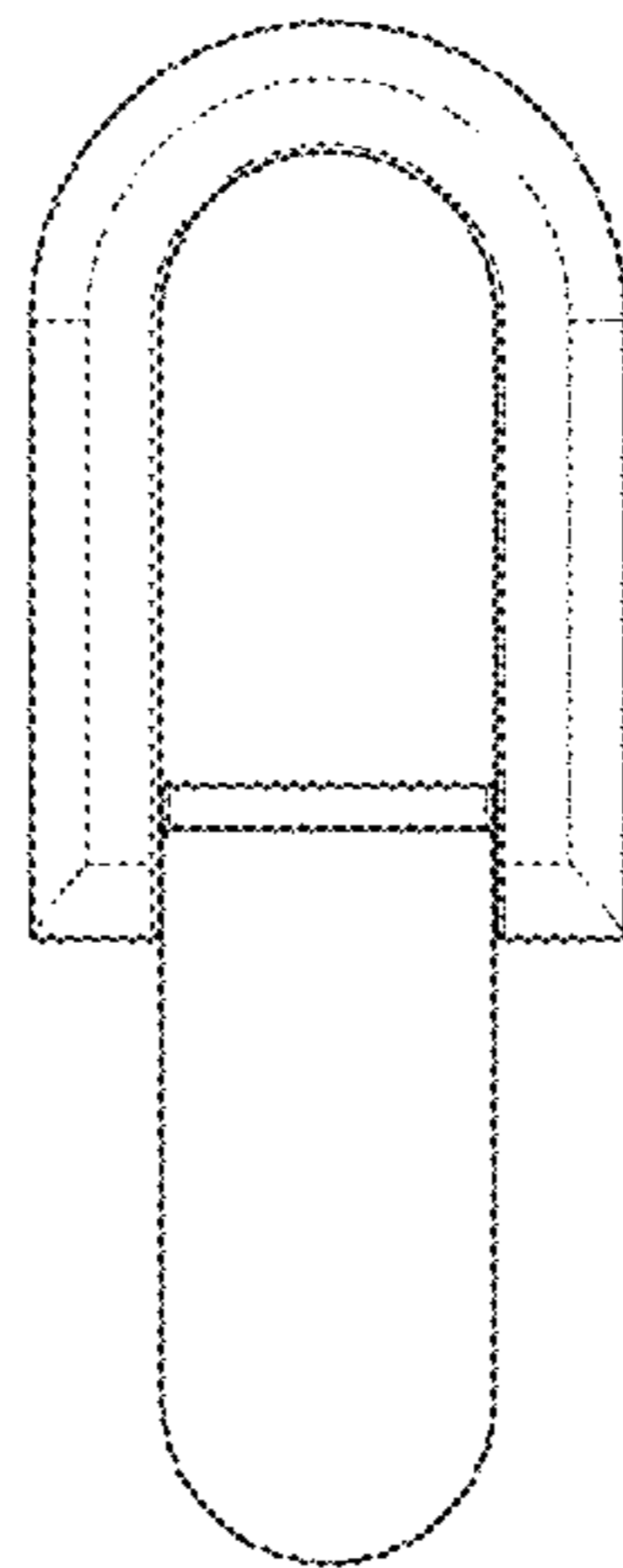
3.1



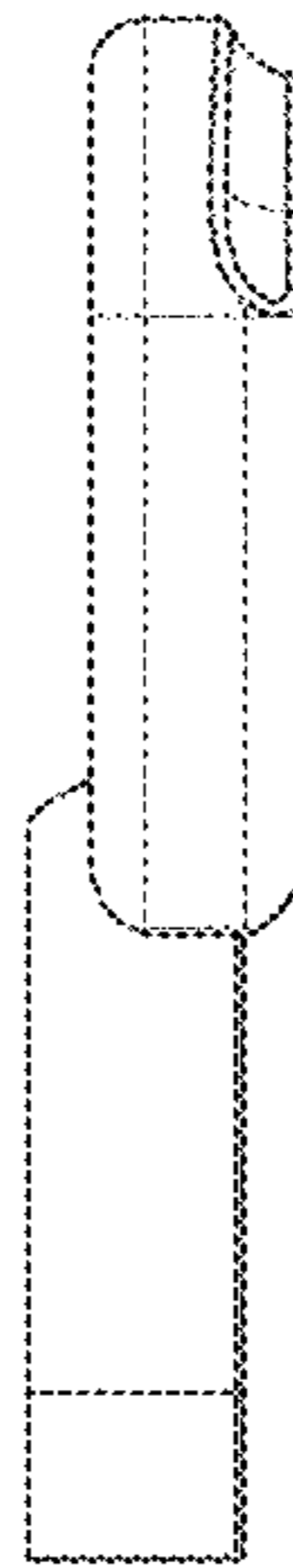
3.2



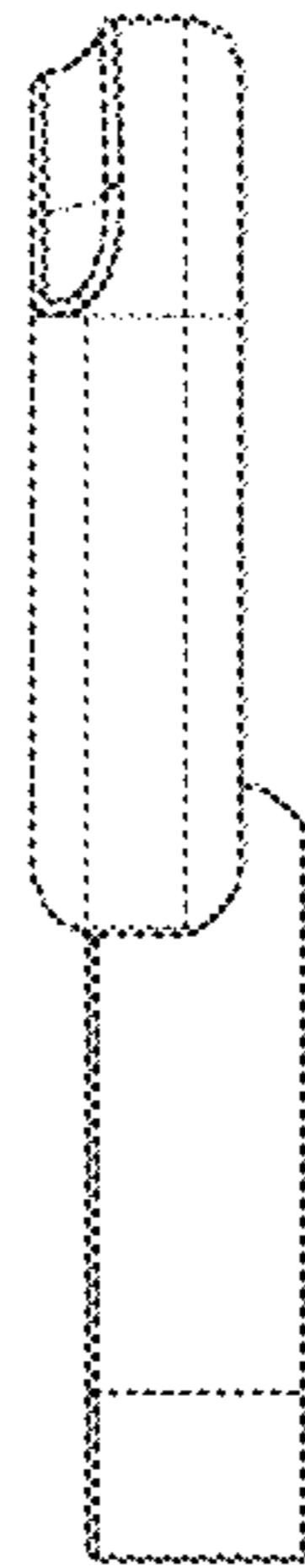
3.3



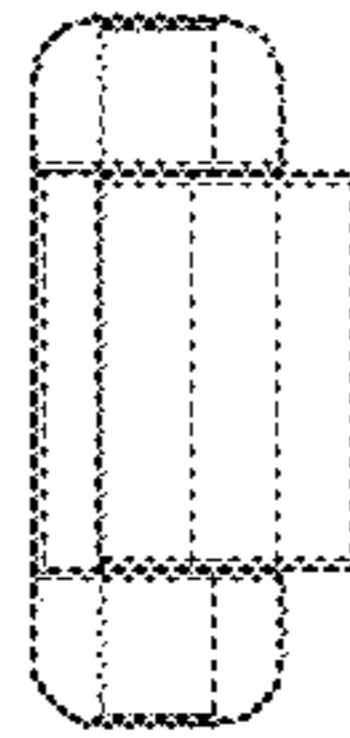
3.4



3.5



3.6



3.7

