



US00D950245S

(12) **United States Design Patent** (10) **Patent No.:** **US D950,245 S**  
**Dodson** (45) **Date of Patent:** **\*\* May 3, 2022**

(54) **CADDY**  
(71) Applicant: **Fifth Start Pty Ltd**, North Balgowlah (AU)  
(72) Inventor: **Paul Edward Dodson**, North Balgowlah (AU)  
(73) Assignee: **Fifth Start Pty Ltd**, North Balgowlah (AU)

D835,411 S 12/2018 Hughes  
D843,113 S \* 3/2019 Carter ..... D3/315  
D846,282 S 4/2019 Brouard  
D851,936 S \* 6/2019 Lit Chung ..... D3/315  
D868,468 S \* 12/2019 Currier ..... D3/315  
D869,847 S \* 12/2019 Huebner ..... D3/315  
D878,760 S \* 3/2020 Dehmoubed ..... D3/315  
D885,055 S 5/2020 Zhao  
D888,429 S 6/2020 Vega  
D919,297 S \* 5/2021 Wang ..... D3/315  
D931,610 S 9/2021 Lu

(Continued)

(\*\*) Term: **15 Years**  
(21) Appl. No.: **29/788,572**

Primary Examiner — Charles D Hanson  
(74) Attorney, Agent, or Firm — Culhane Meadows, PLLC

(22) Filed: **Jun. 24, 2021**  
(51) **LOC (13) Cl.** ..... **03-01**  
(52) **U.S. Cl.**  
USPC ..... **D3/315**  
(58) **Field of Classification Search**  
USPC ..... D3/315  
CPC ..... B65D 29/00; B65D 29/02; B65D 29/04;  
B65D 37/00  
See application file for complete search history.

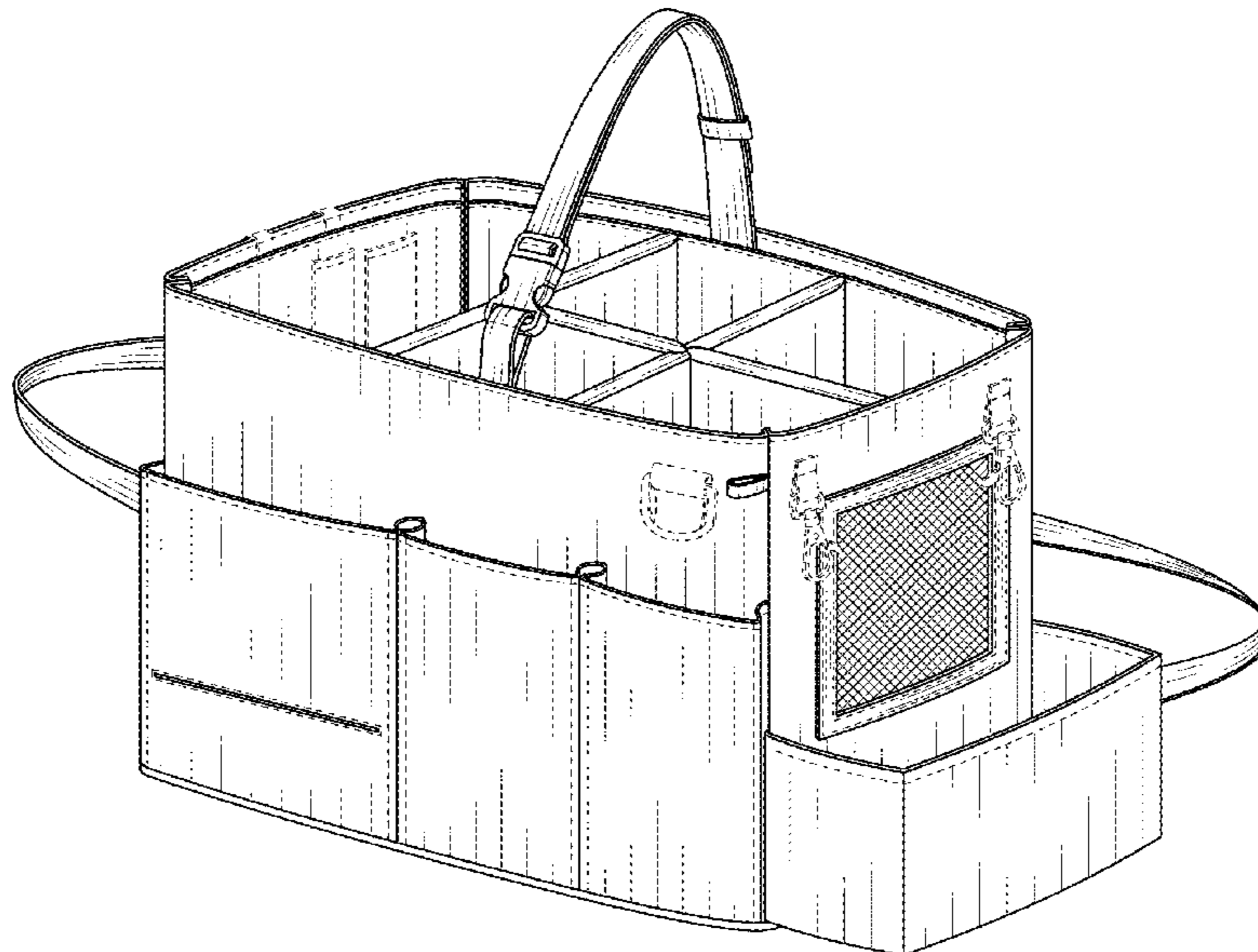
(57) **CLAIM**  
The ornamental design for a caddy, as shown and described.

**DESCRIPTION**

FIG. 1 is a front perspective view of a caddy, in accordance with our new design.  
FIG. 2 is a bottom perspective view of the caddy, in accordance with our new design.  
FIG. 3 is a right-side view of the caddy, in accordance with our new design.  
FIG. 4 is a left-side view of the caddy, in accordance with our new design.  
FIG. 5 is a left end view of the caddy, in accordance with our new design.  
FIG. 6 is a right end view of the caddy, in accordance with our new design.  
FIG. 7 is a top view of the caddy, in accordance with our new design; and,  
FIG. 8 is a bottom view of the caddy, in accordance with our new design.  
In the drawings, the broken lines indicate portions of the article not claimed or the unclaimed environment and form no part of the claimed design.

(56) **References Cited**  
U.S. PATENT DOCUMENTS  
D314,087 S 1/1991 Macklin  
D465,134 S 11/2002 Joss  
D474,022 S 5/2003 Leighton  
D526,484 S 8/2006 Flint  
D573,795 S 7/2008 Henderson et al.  
D613,507 S 4/2010 Brouard  
D648,533 S 11/2011 Sosnovsky  
D722,233 S 2/2015 Inskeep  
D756,119 S \* 5/2016 Hamilton ..... D3/315  
D762,384 S 8/2016 Boroski  
D776,929 S \* 1/2017 Noh ..... D3/315  
D795,584 S 8/2017 Walker et al.  
9,850,035 B2 12/2017 Moore  
9,914,206 B1 3/2018 Guirlinger  
D823,600 S 7/2018 Pennington

**1 Claim, 8 Drawing Sheets**



(56)

**References Cited**

U.S. PATENT DOCUMENTS

2004/0055679 A1 3/2004 Gordon et al.  
2005/0189388 A1 9/2005 Godshaw et al.  
2008/0035509 A1 2/2008 Redzisz

\* cited by examiner

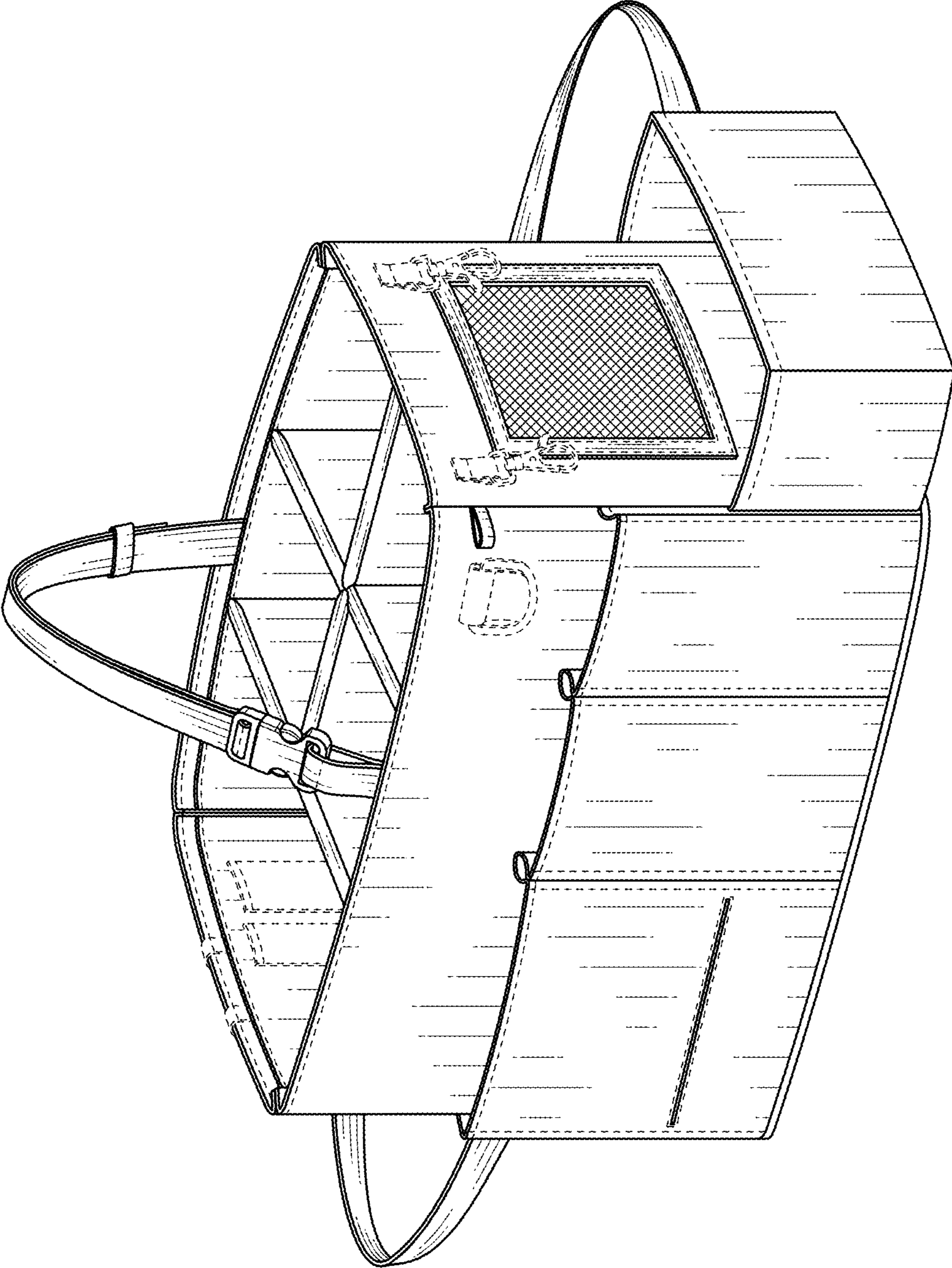


FIG. 1

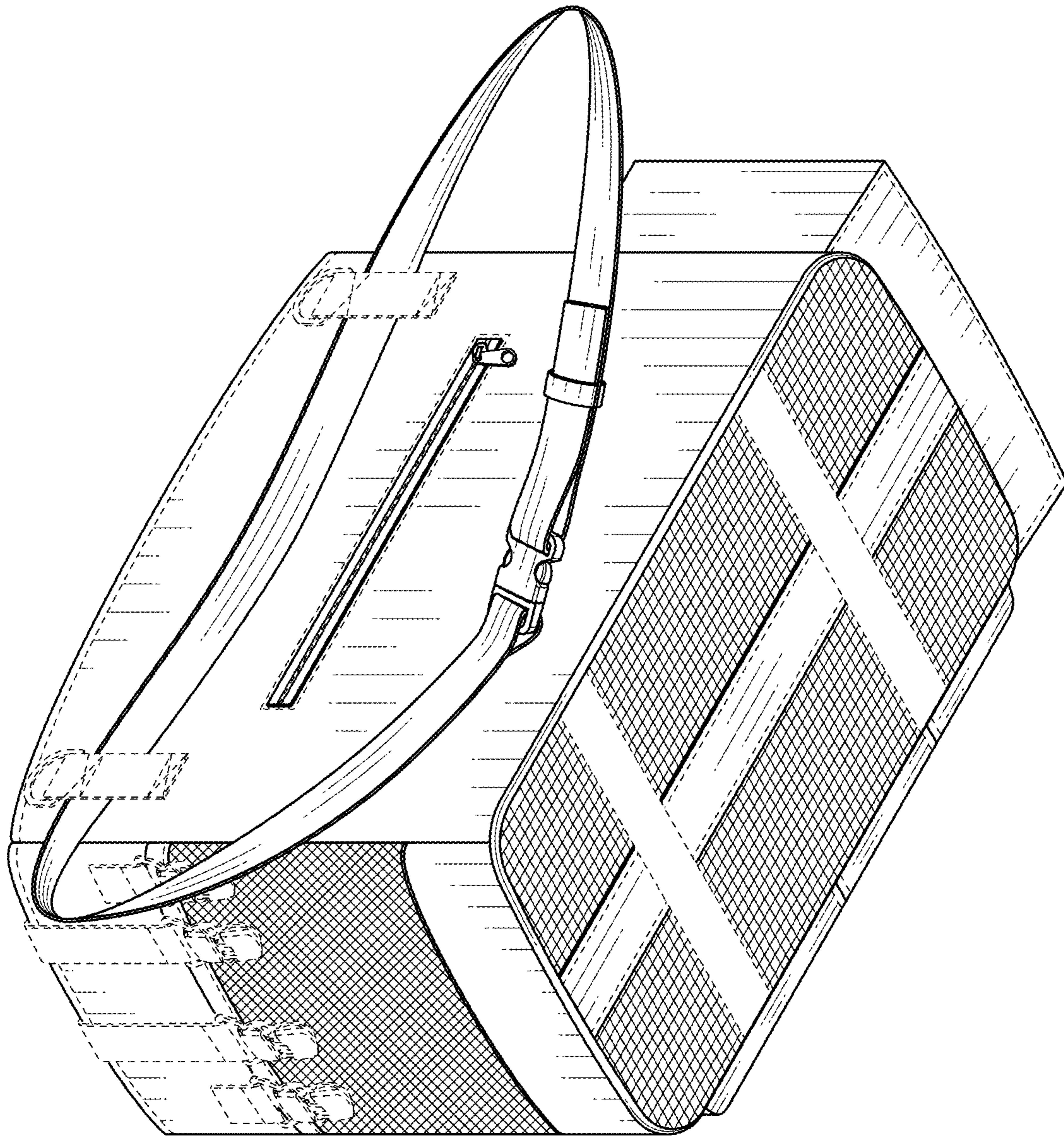


FIG. 2

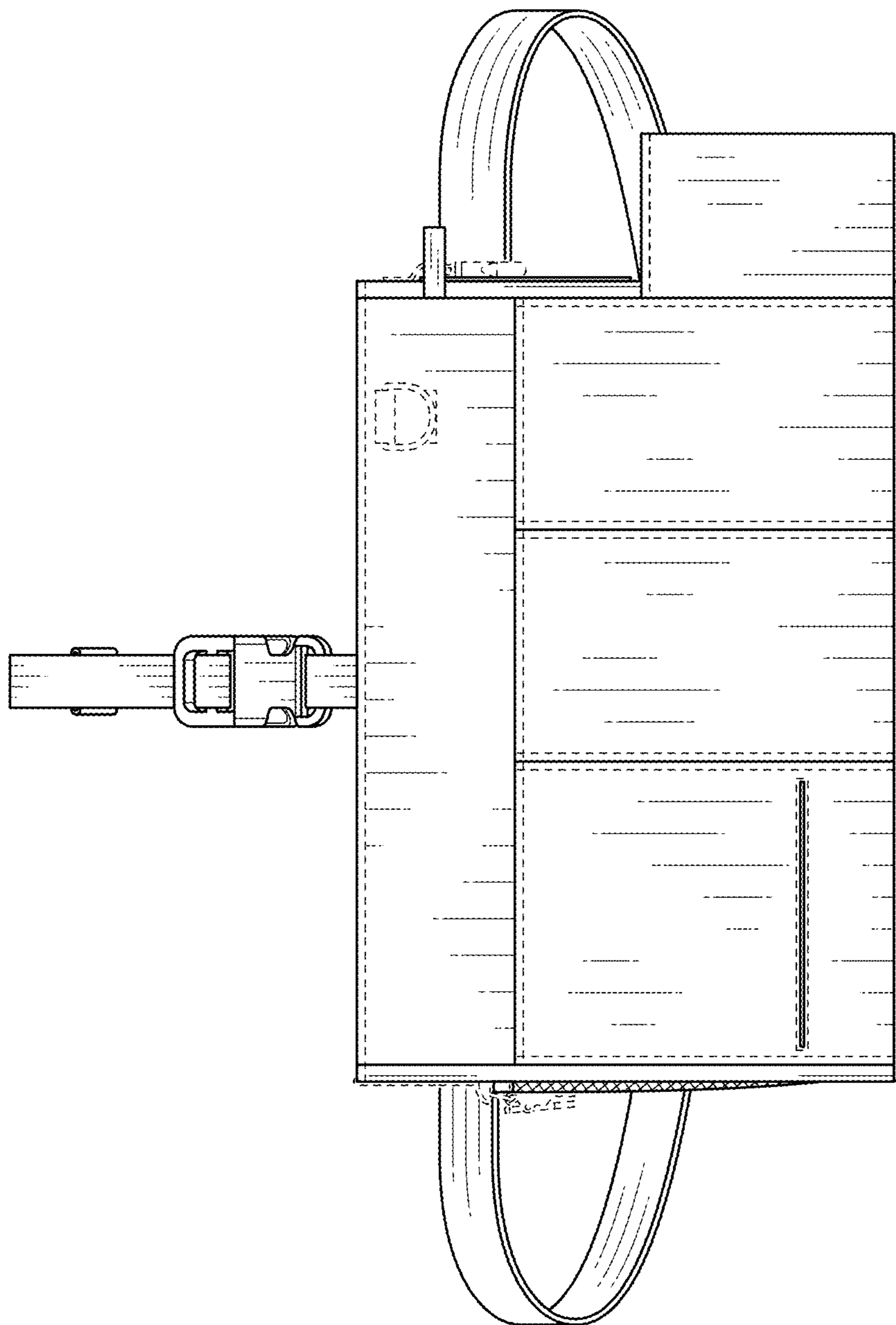


FIG. 3

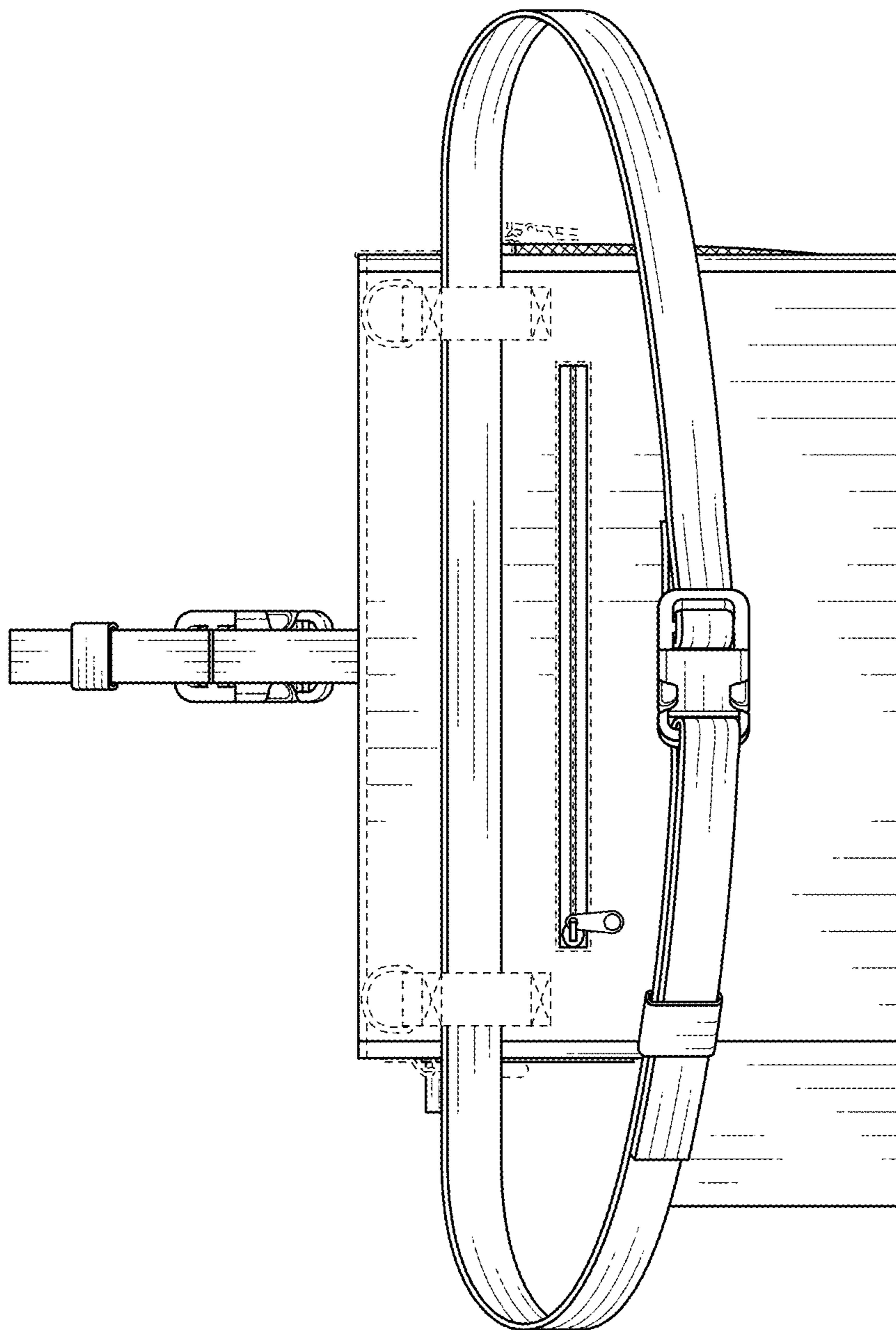


FIG. 4

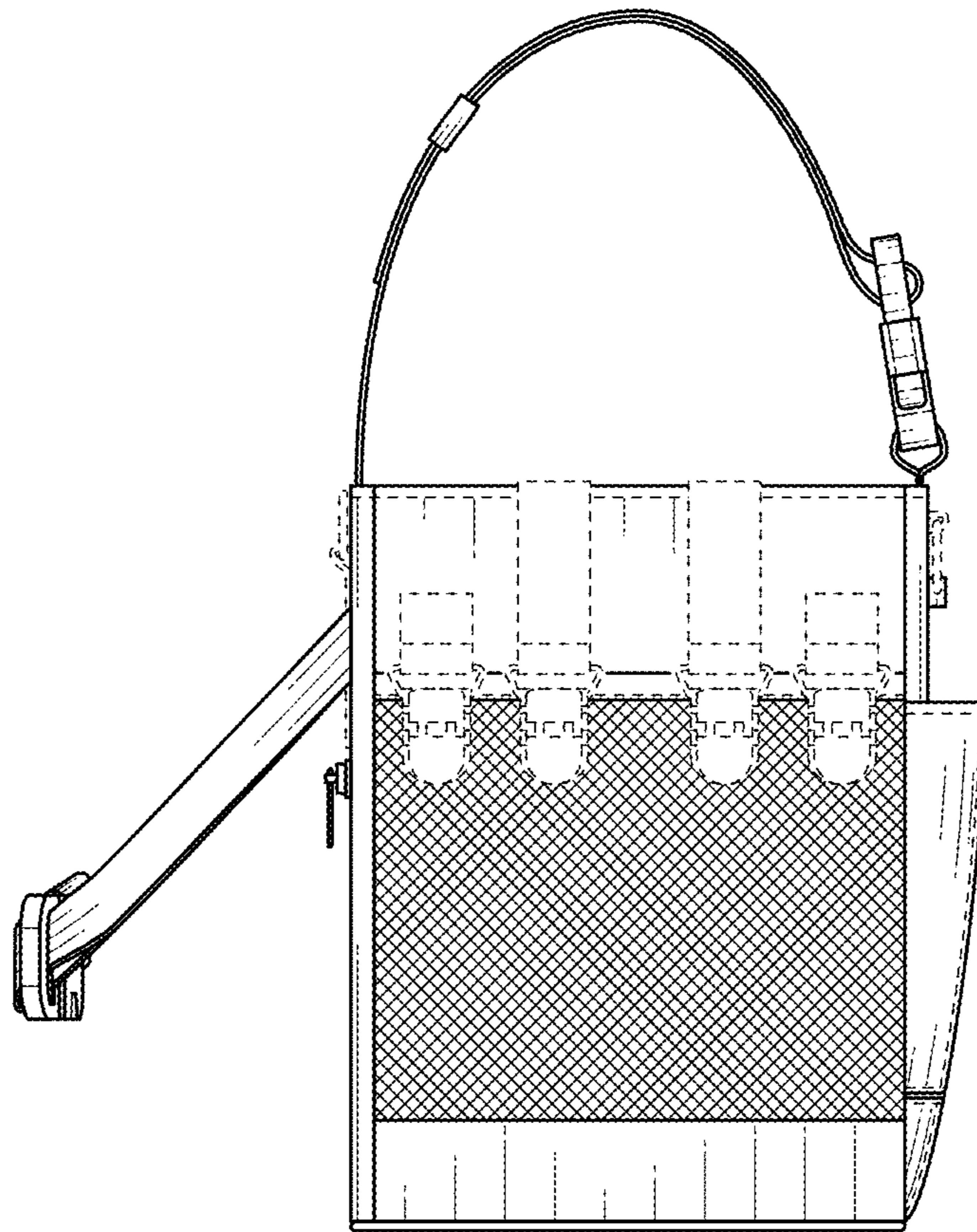


FIG. 5

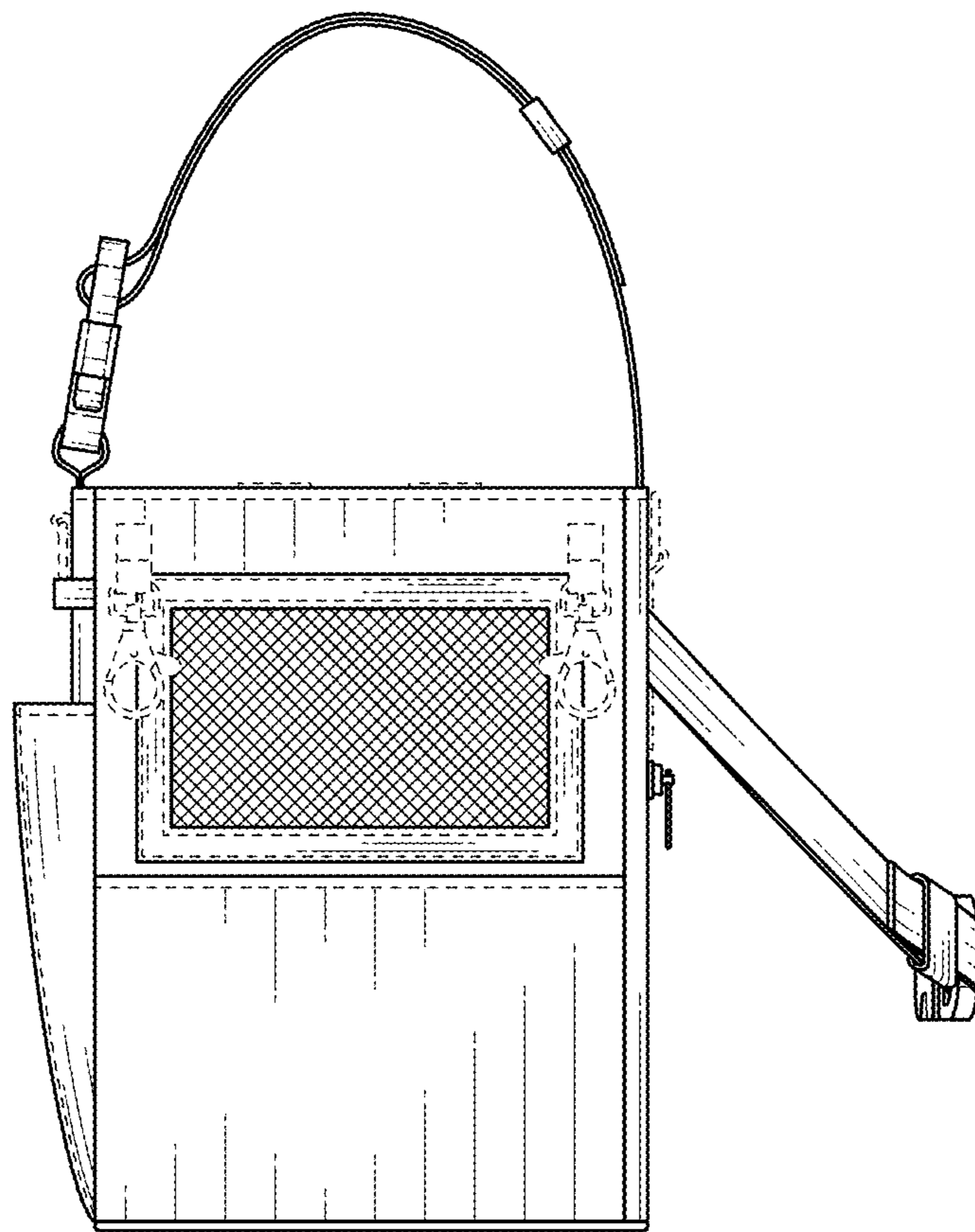


FIG. 6



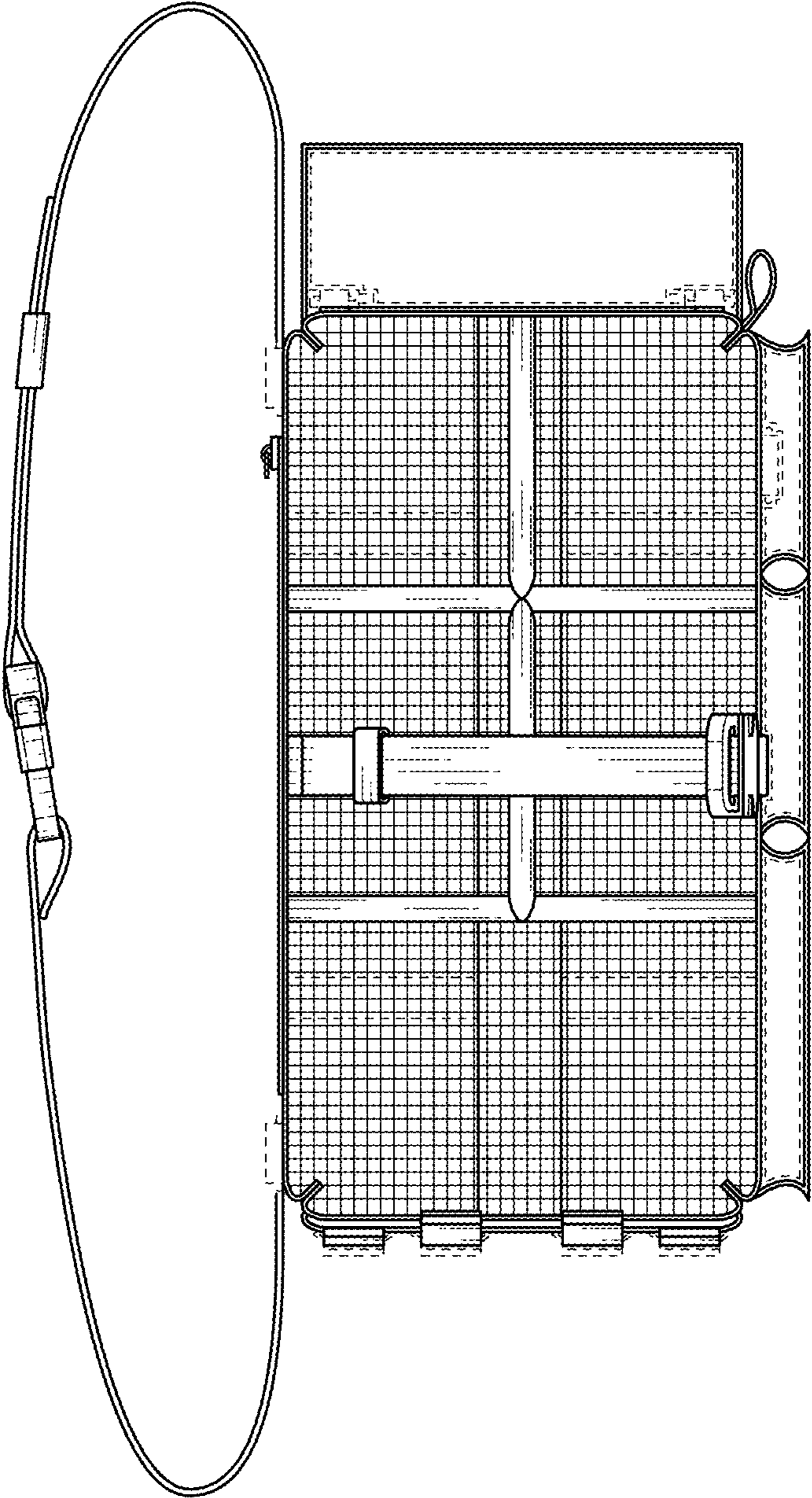


FIG. 7

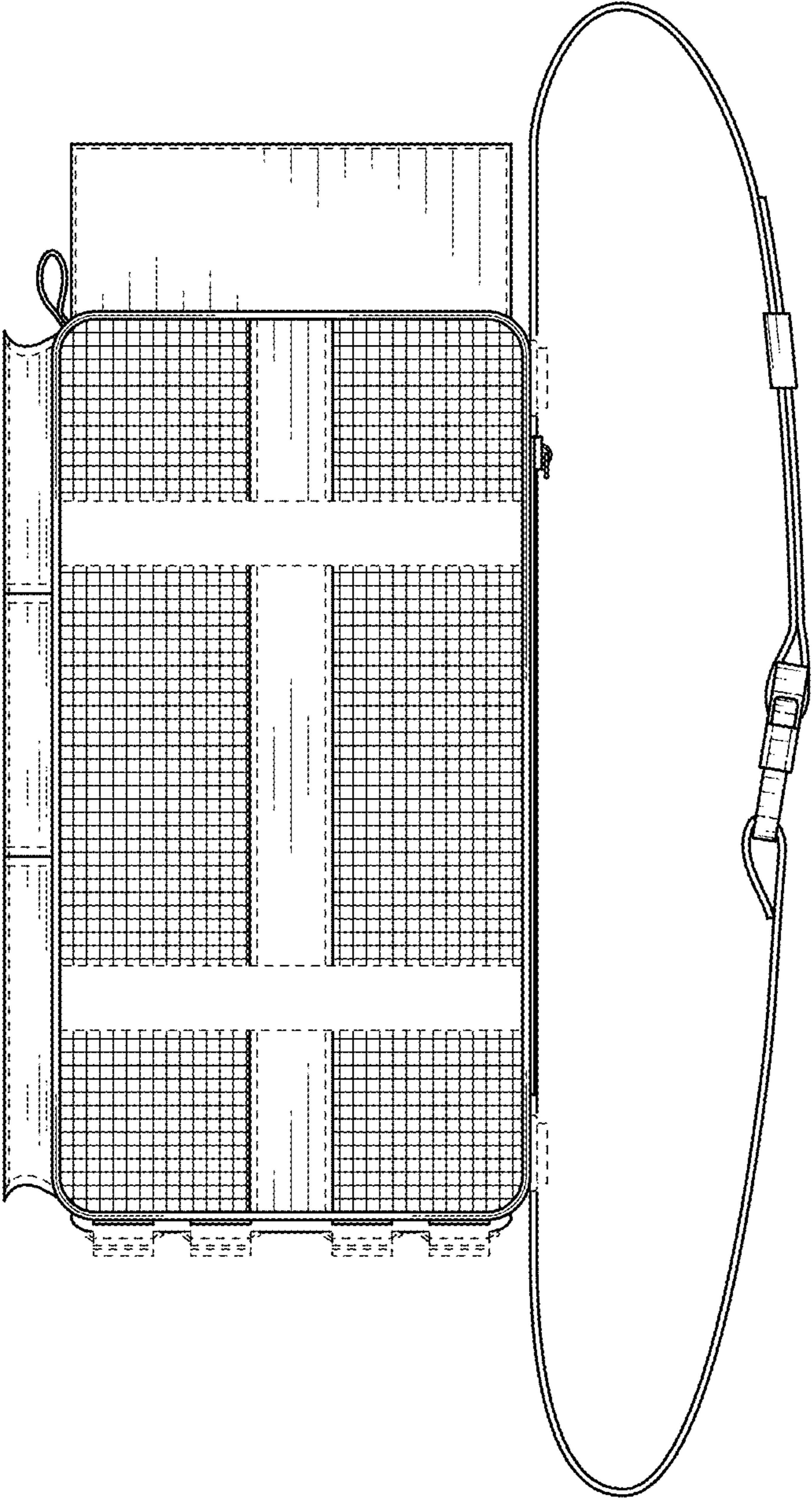


FIG. 8