

US00D950243S

(12) **United States Design Patent** (10) **Patent No.:** **US D950,243 S**  
**Rickabaugh** (45) **Date of Patent:** **\*\* May 3, 2022**

(54) **BASE OF SHIPPING CONTAINER**

(71) Applicant: **Michael Rickabaugh**, Spring Arbor, MI (US)

(72) Inventor: **Michael Rickabaugh**, Spring Arbor, MI (US)

(\*\*) Term: **15 Years**

(21) Appl. No.: **29/736,047**

(22) Filed: **May 27, 2020**

(51) **LOC (13) Cl.** ..... **09-03**

(52) **U.S. Cl.**  
USPC ..... **D3/272; D34/38**

(58) **Field of Classification Search**  
USPC ..... D3/272, 273, 274, 275, 276, 277, 278, D3/279, 280, 281, 282, 283, 284, 285, 38, D3/74, 201, 204, 221, 254, 260, 286, 294, D3/295, 299, 904, 905, 290, 901, 902, D3/903, 305; D6/336, 440, 663, 667, D6/552, 559, 432, 447; D28/9; D7/701, D7/702, 703; D9/420; D34/5, 19, 20, D34/21, 197, 38; D18/59  
CPC ..... B65D 19/08; B65D 2519/00024  
See application file for complete search history.

(56) **References Cited**

**U.S. PATENT DOCUMENTS**

1,922,560	A *	8/1933	Sullivan	.....	B65D 19/0038
					108/57.32
3,726,236	A *	4/1973	Colas	.....	B65D 19/0012
					108/51.11
4,373,637	A *	2/1983	Shippell	.....	B65D 19/06
					229/117.02
D277,042	S *	1/1985	Carter	.....	D3/305
5,460,103	A *	10/1995	Dunn	.....	B65D 19/44
					108/57.18

(Continued)

**FOREIGN PATENT DOCUMENTS**

EM	002963900-0001	*	1/2016
KR	300887385.0000	*	12/2016
KR	300922221.0000	*	9/2017

**OTHER PUBLICATIONS**

<https://logisticsmgepsupv.wordpress.com/2017/04/13/alfilpack-valencian-company-and-the-use-of-paperboard-pallets/> Site visited Feb. 7, 2022, Blog article published Apr. 13, 2017 features Alfilpack Lifdek paperboard pallets (Year: 2017).\*

(Continued)

*Primary Examiner* — Brett Miller  
*Assistant Examiner* — Jessica M Gebhart  
(74) *Attorney, Agent, or Firm* — Endurance Law Group PLC

(57) **CLAIM**

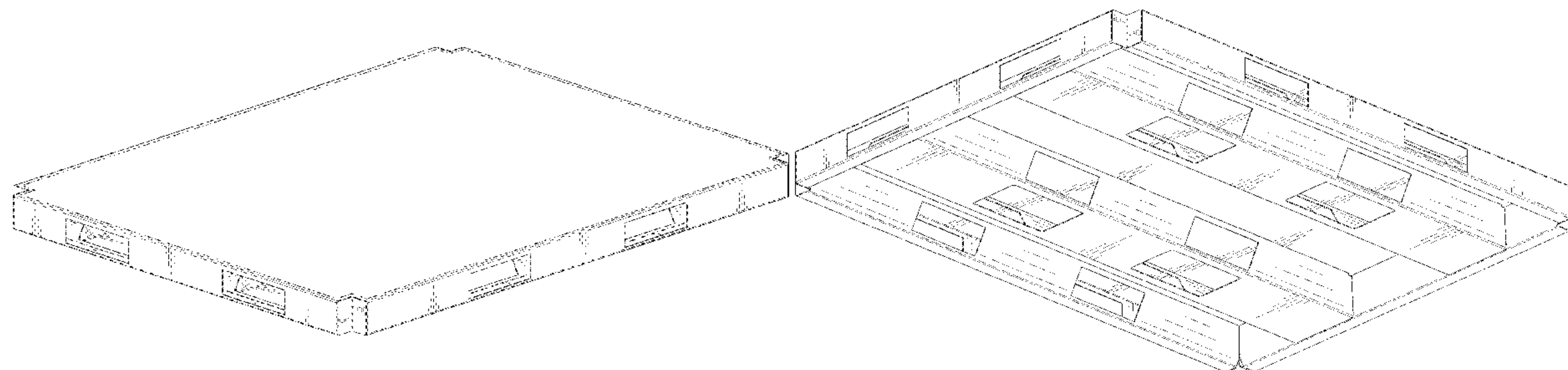
The ornamental design for a base of a shipping container, as shown and described.

**DESCRIPTION**

FIG. 1 is perspective view of a base of a shipping container according to the present invention illustrating environmental structure in broken lines that does not form part of the claimed design;  
FIG. 2 is top perspective view of the base of a shipping container according to the present invention;  
FIG. 3 is bottom perspective view of the base;  
FIG. 4 is a front elevation view of the base;  
FIG. 5 is a rear elevation view of the base;  
FIG. 6 is a left side elevation view of the base;  
FIG. 7 is a right side elevation view of the base;  
FIG. 8 is a top plan view of the base; and,  
FIG. 9 is a bottom plan view of the base.

The broken lines in FIG. 1 showing side walls of a shipping container are provided for the purpose of illustrating environmental structure and do not form part of the claimed

(Continued)



design. The broken lines in FIGS. 2 and 8 illustrate a top surface portion of the base that forms no part of the patented design.

**1 Claim, 6 Drawing Sheets**

(56) **References Cited**

U.S. PATENT DOCUMENTS

D370,762	S *	6/1996	Young, Jr .....	D34/38
D781,023	S *	3/2017	Johnson .....	D34/38
D816,939	S *	5/2018	Blosser .....	D34/38
2008/0141912	A1 *	6/2008	Valentinsson .....	B65D 19/0014 108/51.11
2008/0202391	A1 *	8/2008	Pisano .....	B65D 19/0048 108/57.29
2008/0210140	A1 *	9/2008	Valentinsson .....	B65D 19/0014 108/51.11
2011/0162563	A1 *	7/2011	Ogburn .....	B65D 19/0012 108/51.11
2012/0017809	A1 *	1/2012	Gunn .....	B65D 19/0024 108/53.3
2021/0114768	A1 *	4/2021	Rickabaugh .....	B65D 19/0024
2021/0362905	A1 *	11/2021	Bangalore .....	B65D 19/0038

OTHER PUBLICATIONS

Homedepot.com, Site visited Feb. 7, 2022, Vestil Black Plastic Pallet, Oldest review Feb. 6, 2018 <https://www.homedepot.com/p/Vestil-48-in-x-40-in-x-6-in-Black-Plastic-Pallet-Skid-PLP2-4840-BLACK/303100220> (Year: 2018).\*

\* cited by examiner

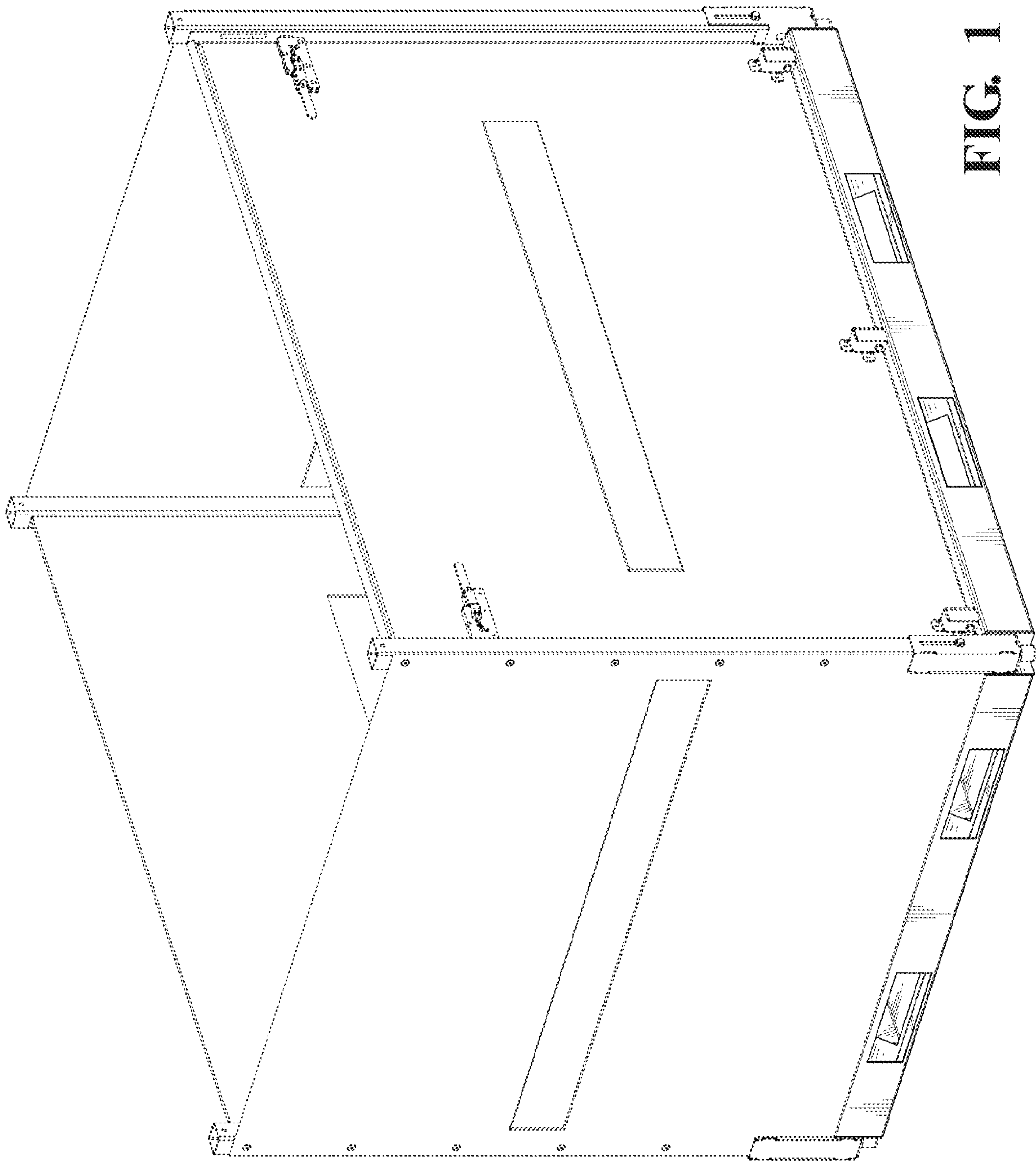


FIG. 1

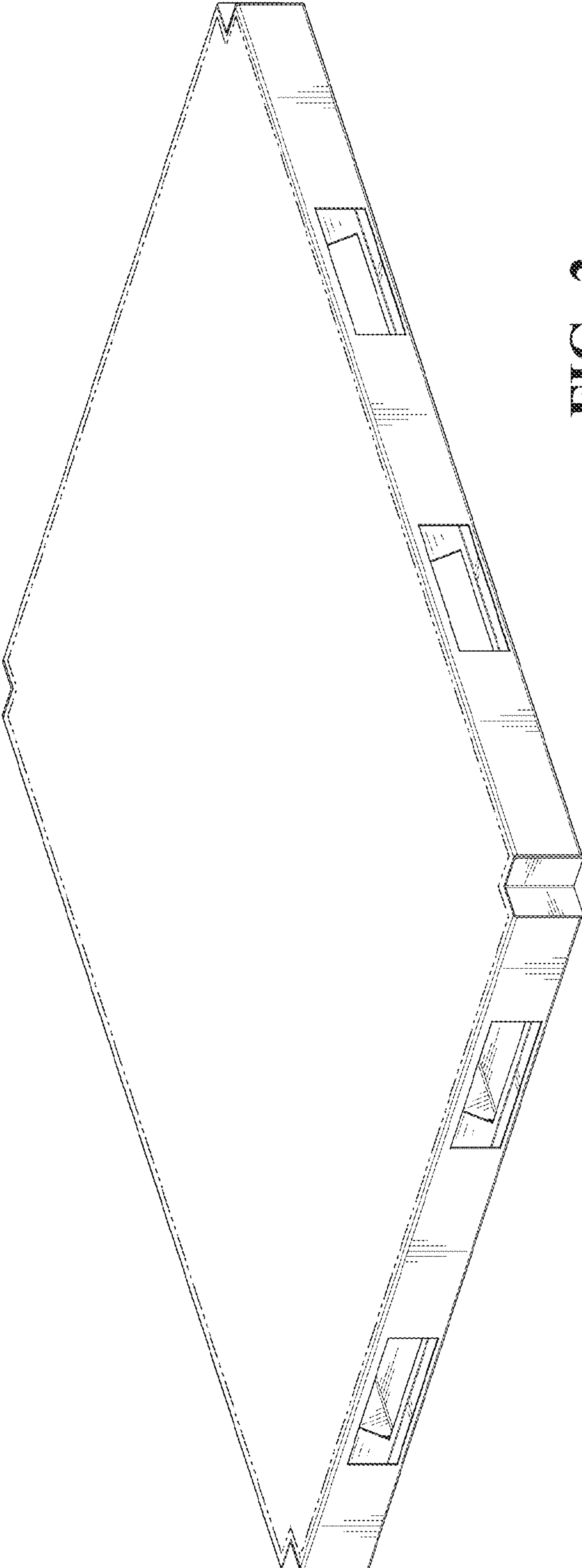


FIG. 2



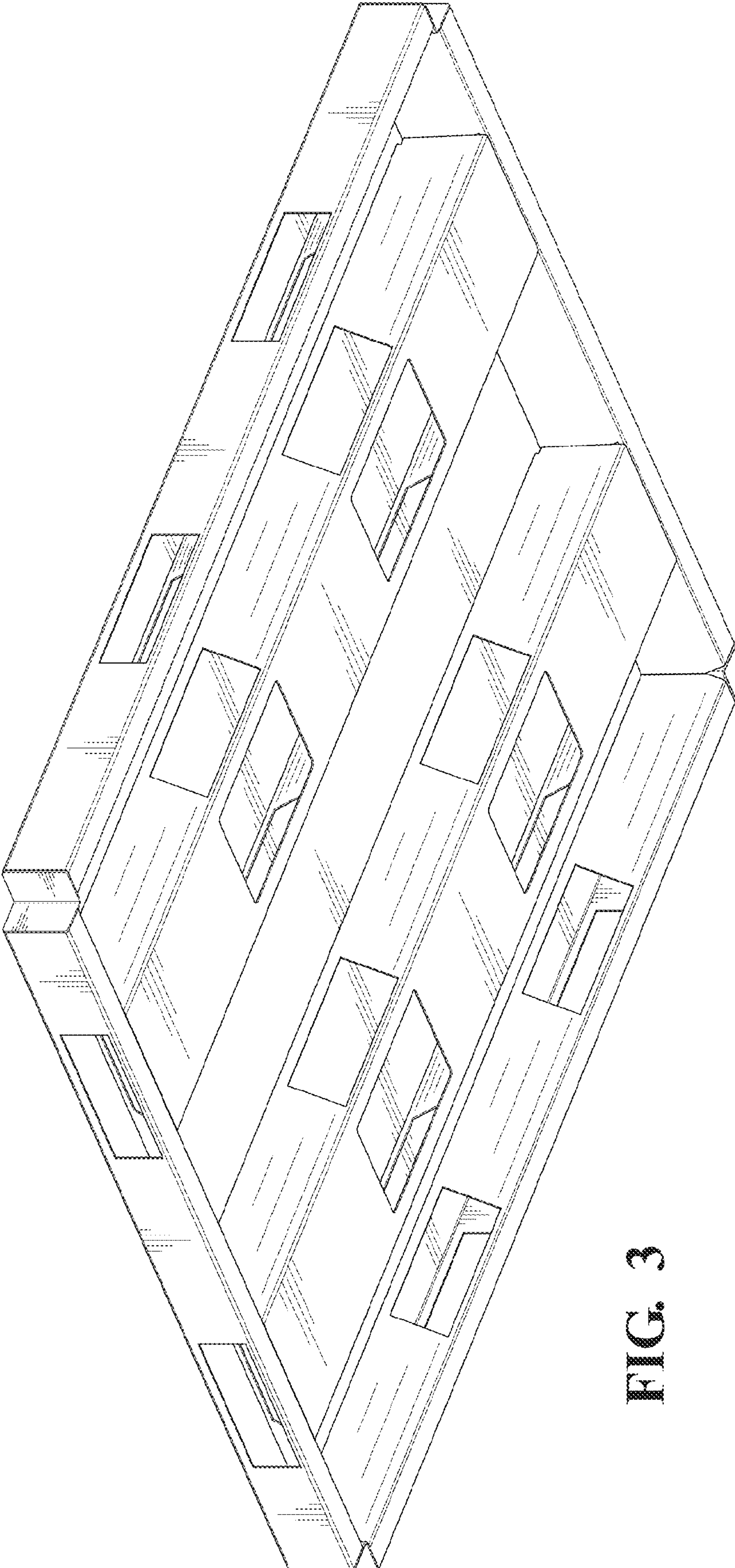
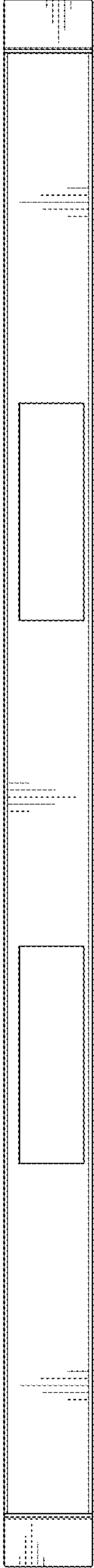
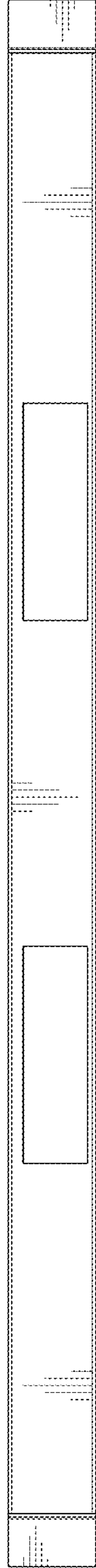


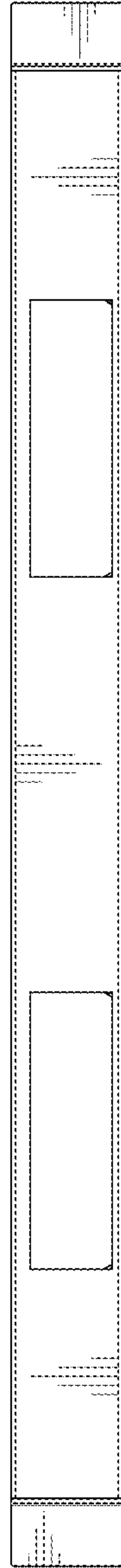
FIG. 3



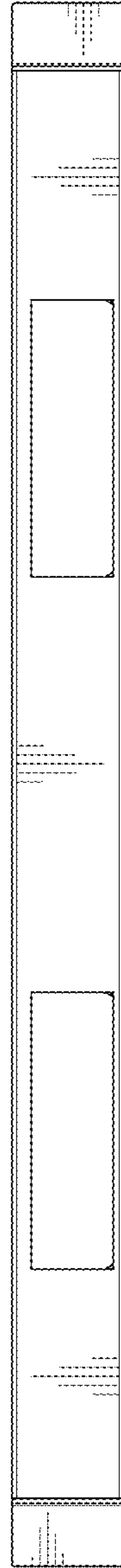
**FIG. 4**



**FIG. 5**



**FIG. 6**



**FIG. 7**



FIG. 8

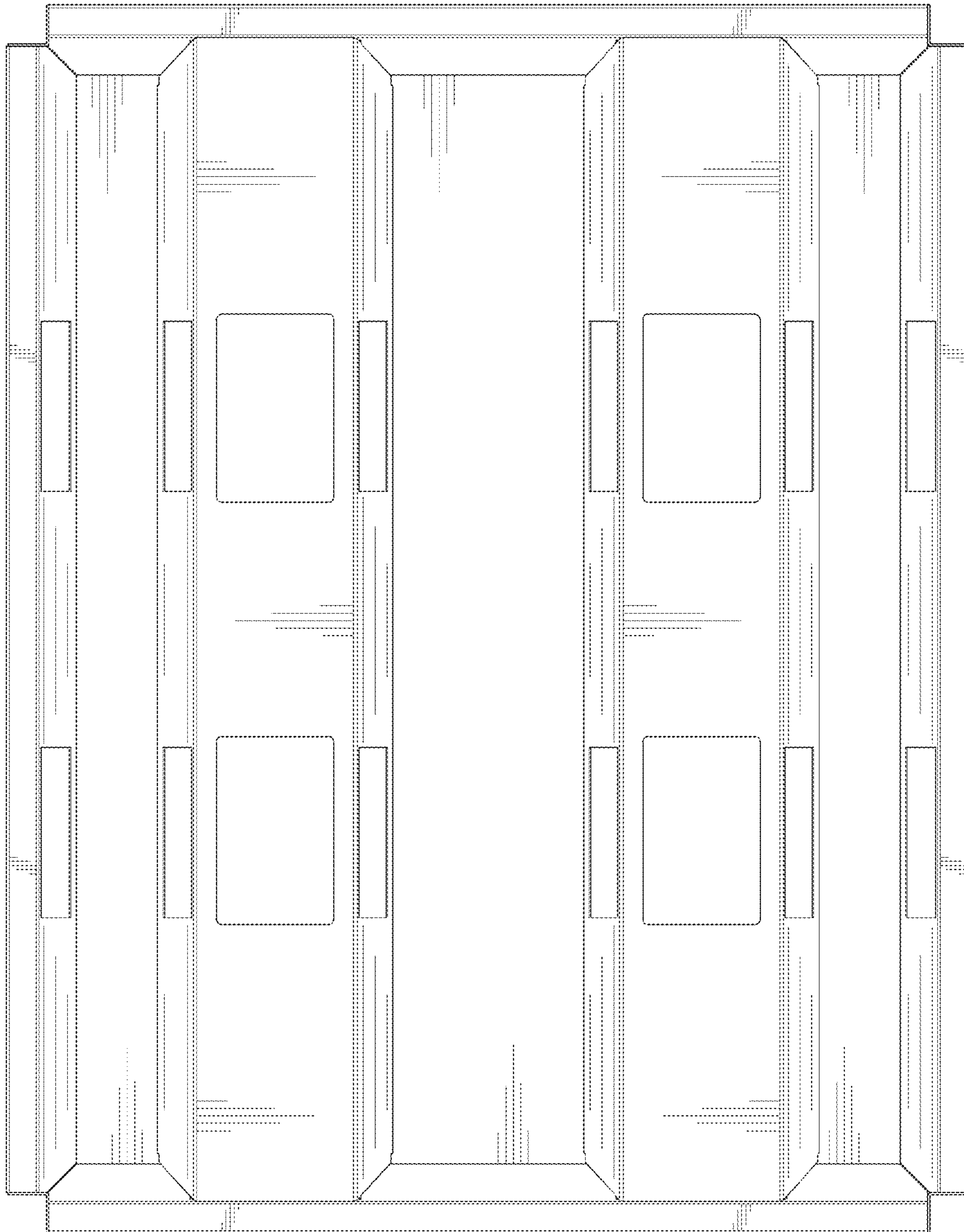


FIG. 9