



US00D950240S

(12) **United States Design Patent**  
**Tran et al.**

(10) **Patent No.:** **US D950,240 S**

(45) **Date of Patent:** **\*\* May 3, 2022**

(54) **WALLET**

(71) Applicant: **Dango Products, LLC**, Portola Valley, CA (US)

(72) Inventors: **Thuan Tran**, Santa Clara, CA (US);  
**Charlie Carroll**, Palo Alto, CA (US);  
**Binh Tran**, Santa Clara, CA (US)

(73) Assignee: **Dango Products, LLC**, Portola Valley, CA (US)

(\*\*) Term: **15 Years**

(21) Appl. No.: **29/778,414**

(22) Filed: **Apr. 13, 2021**

**Related U.S. Application Data**

(63) Continuation of application No. 17/227,204, filed on Apr. 9, 2021, now Pat. No. 11,178,947.

(51) **LOC (13) Cl.** ..... **03-01**

(52) **U.S. Cl.**  
USPC ..... **D3/247**

(58) **Field of Classification Search**  
USPC ..... D3/247, 249–253; D8/16, 19, 105;  
D11/78.1

(Continued)

(56) **References Cited**

**U.S. PATENT DOCUMENTS**

3,461,469 A 8/1969 Morrision  
D266,479 S 10/1982 Hayakawa

(Continued)

**FOREIGN PATENT DOCUMENTS**

KR 20140003803 U 6/2014

**OTHER PUBLICATIONS**

“Dango D03 Dapper Bifold EDC Wallet—Made in USA—Genuine Leather, Slim, Minimalist, Metal, RFID Blocking”, first reviewed

Apr. 22, 2021, Amazon.com, site visited Nov. 16, 2021: [https://www.amazon.com/Dango-D03-Dapper-Bifold-Wallet/dp/B0925CV8CK?ref\\_ast\\_sto\\_dp&th=1](https://www.amazon.com/Dango-D03-Dapper-Bifold-Wallet/dp/B0925CV8CK?ref_ast_sto_dp&th=1) (Year: 2021).\*

(Continued)

*Primary Examiner* — Jennifer L Watkins

*Assistant Examiner* — Samantha Lynne Brodowski

(74) *Attorney, Agent, or Firm* — Gallium Law; Wesley Schwie, Esq.; Isabel Fox

(57) **CLAIM**

The ornamental design for a wallet, as shown and described.

**DESCRIPTION**

FIG. 1 is a front, first side, and bottom perspective view showing an interior portion of a wallet in an open position embodying the new design;

FIG. 2 is a back, first side, and top perspective view showing an exterior portion thereof;

FIG. 3 is a front view thereof;

FIG. 4 is a back view thereof;

FIG. 5 is a top view thereof;

FIG. 6 is a bottom view thereof;

FIG. 7 is a first side view thereof;

FIG. 8 is a second side view thereof;

FIG. 9 is a front, first side and bottom perspective view showing an exterior portion of the wallet in a closed position;

FIG. 10 is a back, first side and top perspective view thereof;

FIG. 11 is a front view thereof;

FIG. 12 is a back view thereof;

FIG. 13 is a top view thereof;

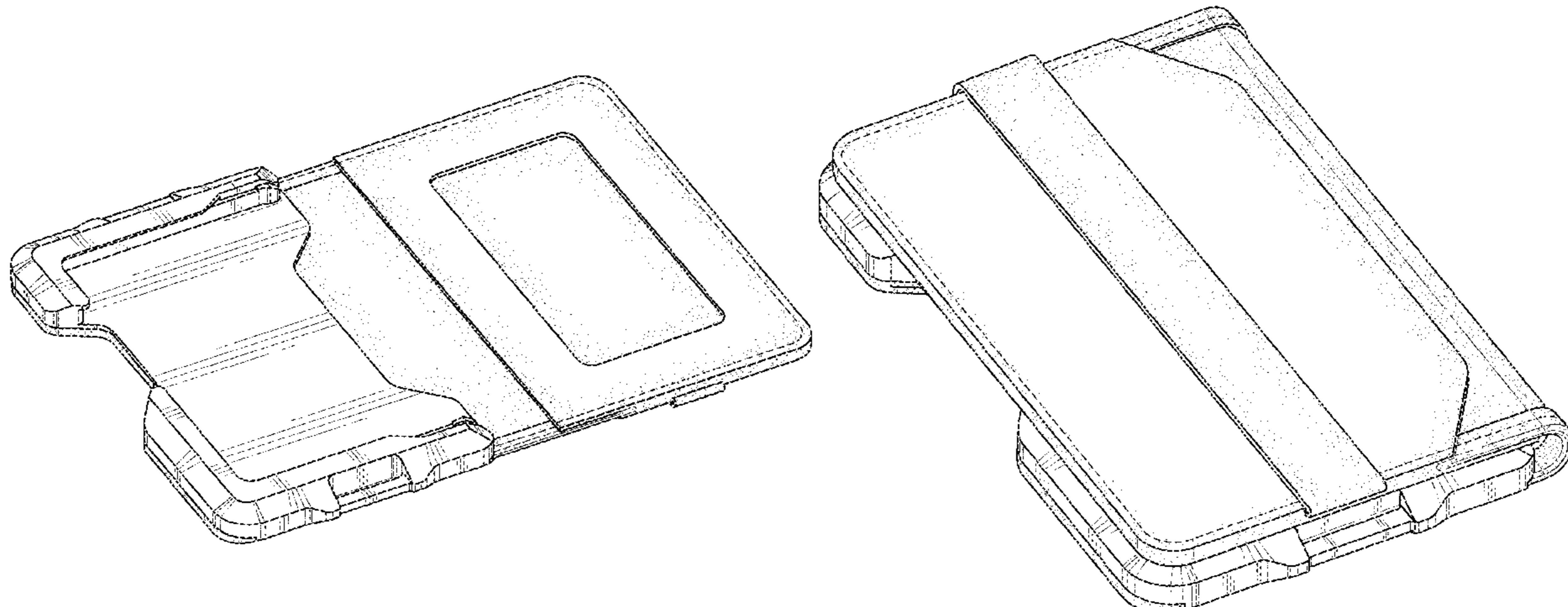
FIG. 14 is a bottom view thereof;

FIG. 15 is a second side view thereof; and,

FIG. 16 is a first side view thereof.

The evenly dashed broken lines on claimed surfaces depict stitching and form no part of the claim. The evenly dashed broken lines adjacent structure shown with no surface shading depict portions of the Wallet and form no part of the claim.

**1 Claim, 16 Drawing Sheets**





(58) **Field of Classification Search**  
 CPC ... A45C 1/06; A45C 11/182; A45C 2001/065;  
 A45C 2001/067  
 See application file for complete search history.

(56) **References Cited**

U.S. PATENT DOCUMENTS

4,763,821 A 8/1988 Powell  
 D314,865 S 2/1991 Tuisku  
 D322,039 S 12/1991 Chien  
 D337,656 S \* 7/1993 Hostert ..... D3/247  
 D360,815 S 8/1995 Padden  
 D374,388 S 10/1996 Padden  
 D384,499 S 10/1997 Gaestel  
 5,944,080 A 8/1999 Podwika  
 D416,581 S 11/1999 Cheng  
 6,009,584 A 1/2000 Padden  
 6,044,967 A 4/2000 Painsith  
 6,076,665 A 6/2000 Chuang  
 D431,105 S 9/2000 Ling  
 6,145,994 A 11/2000 Ng  
 D434,624 S 12/2000 Padden  
 D444,060 S 6/2001 Elsener  
 6,276,414 B1 8/2001 Bibb  
 D447,438 S \* 9/2001 DiLibero ..... D11/78.1  
 6,347,875 B1 2/2002 Painsith  
 D462,000 S 8/2002 Hightower  
 6,427,837 B1 8/2002 Shields  
 6,460,698 B1 10/2002 Wang  
 6,823,910 B1 11/2004 Elnekaveh  
 D517,390 S 3/2006 Cheng  
 7,334,616 B2 2/2008 Kaminski  
 7,604,028 B2 10/2009 Bridgefarmer  
 7,918,335 B1 4/2011 Kitchen  
 8,251,210 B2 8/2012 Schmidt  
 D685,990 S 7/2013 Zhang  
 D690,931 S 10/2013 Minn  
 8,567,459 B2 10/2013 Kitchen  
 D695,013 S 12/2013 Minn  
 D701,043 S 3/2014 Minn  
 8,726,952 B2 5/2014 Jambunathan  
 D707,091 S 6/2014 Barr  
 D718,525 S \* 12/2014 Kim ..... D3/247  
 9,125,464 B2 9/2015 Minn et al.  
 9,125,465 B2 9/2015 Beckley  
 D743,760 S 11/2015 Barr  
 D745,274 S \* 12/2015 Minn ..... D3/247  
 D751,877 S 3/2016 Shlaferman  
 D755,764 S 5/2016 Dong  
 9,339,094 B2 5/2016 Tucker-Skow  
 D765,487 S 9/2016 Barr  
 D768,382 S \* 10/2016 Wu ..... D3/247  
 D768,383 S 10/2016 Wu  
 D770,775 S \* 11/2016 Robertson, III ..... D3/318  
 D772,678 S 11/2016 Haarburger  
 D775,824 S 1/2017 King  
 D780,449 S 3/2017 King  
 9,648,931 B2 5/2017 Sha  
 9,661,908 B2 5/2017 Mayer  
 D792,749 S 7/2017 Faro  
 D798,591 S 10/2017 King  
 D799,301 S 10/2017 Cetera  
 9,775,328 B1 10/2017 Fidrych  
 9,815,212 B2 11/2017 Barr  
 D805,873 S 12/2017 Cetera  
 D806,386 S 1/2018 King  
 D808,158 S \* 1/2018 King ..... D3/247  
 D808,765 S 1/2018 Kisling  
 D809,792 S \* 2/2018 Moon ..... A45C 11/182  
 D3/247  
 9,907,375 B1 3/2018 Kitchen  
 D814,182 S 4/2018 Haarburger  
 D814,183 S 4/2018 Haarburger  
 D815,932 S 4/2018 Lee  
 D815,935 S 4/2018 Barak  
 D817,196 S 5/2018 Haarburger

D817,316 S 5/2018 Srour  
 D827,408 S 9/2018 Stefanczyk-Lacor  
 10,080,409 B2 9/2018 King  
 D831,349 S 10/2018 Deng  
 10,123,596 B2 11/2018 King  
 D835,410 S 12/2018 Chan  
 10,206,473 B2 2/2019 Haarburger  
 D842,070 S 3/2019 Kisling  
 D845,623 S 4/2019 Sullivan  
 D856,956 S 8/2019 Liu  
 10,368,618 B2 8/2019 Richards et al.  
 D860,645 S 9/2019 Wu  
 D861,339 S \* 10/2019 Moon ..... D3/247  
 D866,177 S 11/2019 Leh  
 D866,178 S 11/2019 Jin  
 D866,276 S 11/2019 Shlaferman  
 D866,964 S 11/2019 Tran  
 D868,463 S \* 12/2019 Tran ..... D3/249  
 10,512,316 B2 12/2019 Haarburger  
 D875,490 S 2/2020 Barr  
 D877,513 S \* 3/2020 Duncan ..... D3/318  
 D877,594 S 3/2020 Liang  
 D878,891 S 3/2020 Polczynski  
 D878,893 S 3/2020 Kao  
 D879,580 S 3/2020 Spater  
 10,595,611 B2 3/2020 Berkley  
 D881,671 S 4/2020 Kao  
 D884,339 S 5/2020 Li  
 D884,792 S 5/2020 Swallow  
 D887,708 S 6/2020 Tran  
 D890,525 S \* 7/2020 Leh ..... D3/318  
 D891,767 S \* 8/2020 Lamb ..... D3/247  
 D895,963 S \* 9/2020 Anderson ..... D3/247  
 10,791,808 B2 10/2020 Kane  
 D904,016 S 12/2020 Jacobsen et al.  
 D908,351 S 1/2021 Hoffman  
 D909,059 S \* 2/2021 Leh ..... D3/247  
 D915,765 S \* 4/2021 Quittner ..... D3/249  
 D933,360 S \* 10/2021 Qing ..... D3/247  
 D934,560 S \* 11/2021 Tran ..... D3/247  
 11,178,947 B2 \* 11/2021 Tran ..... A45C 1/06  
 2002/0179463 A1 12/2002 Newman  
 2004/0148837 A1 \* 8/2004 Lewis ..... G09F 3/20  
 40/654.01  
 2009/0199940 A1 8/2009 Toner  
 2012/0228168 A1 9/2012 Kitchen  
 2013/0056119 A1 3/2013 Henriette  
 2013/0276943 A1 10/2013 Minn et al.  
 2014/0143958 A1 5/2014 Barr  
 2015/0240524 A1 8/2015 Olroyd  
 2016/0374443 A1 12/2016 Kim  
 2017/0035169 A1 2/2017 Haarburger  
 2017/0055654 A1 \* 3/2017 King ..... A45C 11/182  
 2017/0119115 A1 5/2017 King  
 2017/0135452 A1 \* 5/2017 Kane ..... A45C 13/185  
 2017/0265610 A1 9/2017 Smith  
 2018/0325228 A1 11/2018 Leimer  
 2019/0008253 A1 1/2019 Deng  
 2020/0077758 A1 3/2020 Hoffman  
 2020/0229557 A1 7/2020 Tran  
 2020/0305564 A1 \* 10/2020 Myers ..... A45C 11/182  
 2020/0379509 A1 12/2020 Coward  
 2021/0112935 A1 4/2021 Tran  
 2021/0330045 A1 \* 10/2021 Tran ..... A45C 1/06

OTHER PUBLICATIONS

“D03 Dapper™ Bifold Wallet”, dangoproducts.com, site visited Nov. 16, 2021: [https://www.dangoproducts.com/products/d03-dapper-wallet?\\_pos=6&\\_sid=87be8627b&\\_ss=r](https://www.dangoproducts.com/products/d03-dapper-wallet?_pos=6&_sid=87be8627b&_ss=r) (Year: 2021).\*

“Dango Products: D03 Dapper Bifold Wallet”, first available Apr. 20, 2021, Dango Products on YouTube.com, site visited Nov. 16, 2021: <https://www.youtube.com/watch?v=QSLs3ABQcoY> (Year: 2021).\*

Dango Products—Wallet Collections—Web page <URL: [www.dangoproducts.com/collections/wallets](http://www.dangoproducts.com/collections/wallets)>—Available at least as of Oct. 19, 2017—Retrieved from Internet Archive Wayback Machine

(56)

**References Cited**

## OTHER PUBLICATIONS

<URL: <https://web.archive.org/web/20171019082039/www.dangoproducts.com/collections/wallets>> on Oct. 23, 2020.

Dango Products—M1 Maverick Wallet—First available Jan. 12, 2019—Downloaded May 24, 2021—Available from Internet <URL: [https://www.amazon.com/dp/B07MMDRGCV/ref=as\\_li\\_ss\\_tl?ie=UTF8&linkCode=s11&tag=k1a209-20&linkId=8c261f44b8217cb2913188b624fa5e66&language=en\\_US](https://www.amazon.com/dp/B07MMDRGCV/ref=as_li_ss_tl?ie=UTF8&linkCode=s11&tag=k1a209-20&linkId=8c261f44b8217cb2913188b624fa5e66&language=en_US)>.

Dango Products—M1 Maverick Bifold Wallet—Video by user Dango Products—First available Nov. 29, 2018—Downloaded May 24, 2021—Available from Internet <URL: [https://www.youtube.com/watch?v=kqF\\_xCWWLOU](https://www.youtube.com/watch?v=kqF_xCWWLOU)>.

MURADIN—Dapper Leather Bifold Wallet—First available Nov. 22, 2020—Downloaded May 24, 2021—Available from Internet <URL: <https://www.amazon.com/MURADIN-Dapper-Leather-Bifold-Wallet/dp/B07ZPXH81N?th=1>>.

Dango Products—A10 Adapt Wallet—Downloaded May 25, 2021—Available from Internet <URL: <https://www.dangoproducts.com/collections/a-series-wallets/products/a10-adapt-wallet>>.

HANKER—Carbon Fiber Aluminum Metal Minimalist Wallet—First available Feb. 7, 2019—Downloaded May 25, 2021—Available from Internet <URL: <https://www.amazon.com/Carbon-Aluminum-Minimalist-Wallet-Blocking/dp/B07NHK6P55>>.

ELV—ELV Badge Holder Wallet—First available Jan. 21, 2019—Downloaded May 25, 2021—Available from Internet <URL: [https://www.amazon.com/ELV-Aluminum-Release-Offices-License/dp/B07MZJYVBX/ref=asc\\_df\\_B07MZJYVBX/?tag=hyprod-20&linkCode=df0&hvadid=312158528332&hvpos=&hvnetw=g&hvrnd=11777945990320224546&hvpon=&hvptwo=&hvpqmt=&hvdev=c&hvfvcmdl=&hvlocint=&hvlocphy=9008148&hvtargid=pla-653426231968&psc=1](https://www.amazon.com/ELV-Aluminum-Release-Offices-License/dp/B07MZJYVBX/ref=asc_df_B07MZJYVBX/?tag=hyprod-20&linkCode=df0&hvadid=312158528332&hvpos=&hvnetw=g&hvrnd=11777945990320224546&hvpon=&hvptwo=&hvpqmt=&hvdev=c&hvfvcmdl=&hvlocint=&hvlocphy=9008148&hvtargid=pla-653426231968&psc=1)>.

Elephant Wallet—N Wallet Carbon Fiber-Fabric Rubber—Downloaded Mar. 17, 2021—Available from Internet <URL: <https://elephantwallet.com/products/n-wallet-carbon-fiber>>.

Elephant Wallet—How Does It Work (X Wallet)—Downloaded Mar. 17, 2021—Available from Internet <URL: <https://elephantwallet.com/pages/how-does-it-work>>.

Wallet Gear—Bifold Leather Wallet with Elastic Band—Downloaded Mar. 17, 2021—Available from Internet <URL: <https://www.walletgear.com/bifold-leather-wallet-with-elastic-band.html>>.

Curated Basics—Elastic Band Minimalist Wallet—Downloaded Mar. 17, 2021—Available from Internet <URL: <https://www.curatedbasics.com/products/elastic-band>>.

Onward Innovation—RFID Carbon Fiber Cash Strap Wallet—Downloaded Apr. 9, 2021 from <<https://onwardinnovation.com/products/rfid-carbon-fiber-cash-strap-wallet?variant=31920056205360&currency=USD>>.

RIDGE—Aluminum-Black—Downloaded Apr. 9, 2021 from <<https://ridge.com/products/aluminum-black?>>.

Titan X—Titan X | Pro Edition—Downloaded Apr. 9, 2021 from <<https://titanxwallet.com/products/edition?currency=USD&variant=33003264409643>>.

Alpine Swiss—Alpine Swiss Genuine Leather Super Thing Slim Cash Strap Front Pocket Wallet—Downloaded Apr. 9, 2021 from <<https://www.alpineswiss.com/alpine-swiss-genuine-leather-super-thin-slim-cash-strap-front-pocket-wallet/>>.

Amazon—Carbon Fiber Wallet for Men, Simple Zone RFID Blocking Slim Minimalist Card Holder Wallet with Money Clip and Cash Strap—Downloaded Apr. 9, 2021 from <<https://www.amazon.com/Carbon-Simple-Zone-Blocking-Minimalist/dp/B08BG4G8GJ>>.

Dango—T01 Tactical Bifold Wallet-Spec-Ops-Blueline—Downloaded Apr. 9, 2021 from <<https://www.dangoproducts.com/products/t01-tactical-bifold-wallet-blueline-spec-ops?variant=21433891881044>>.

\* cited by examiner



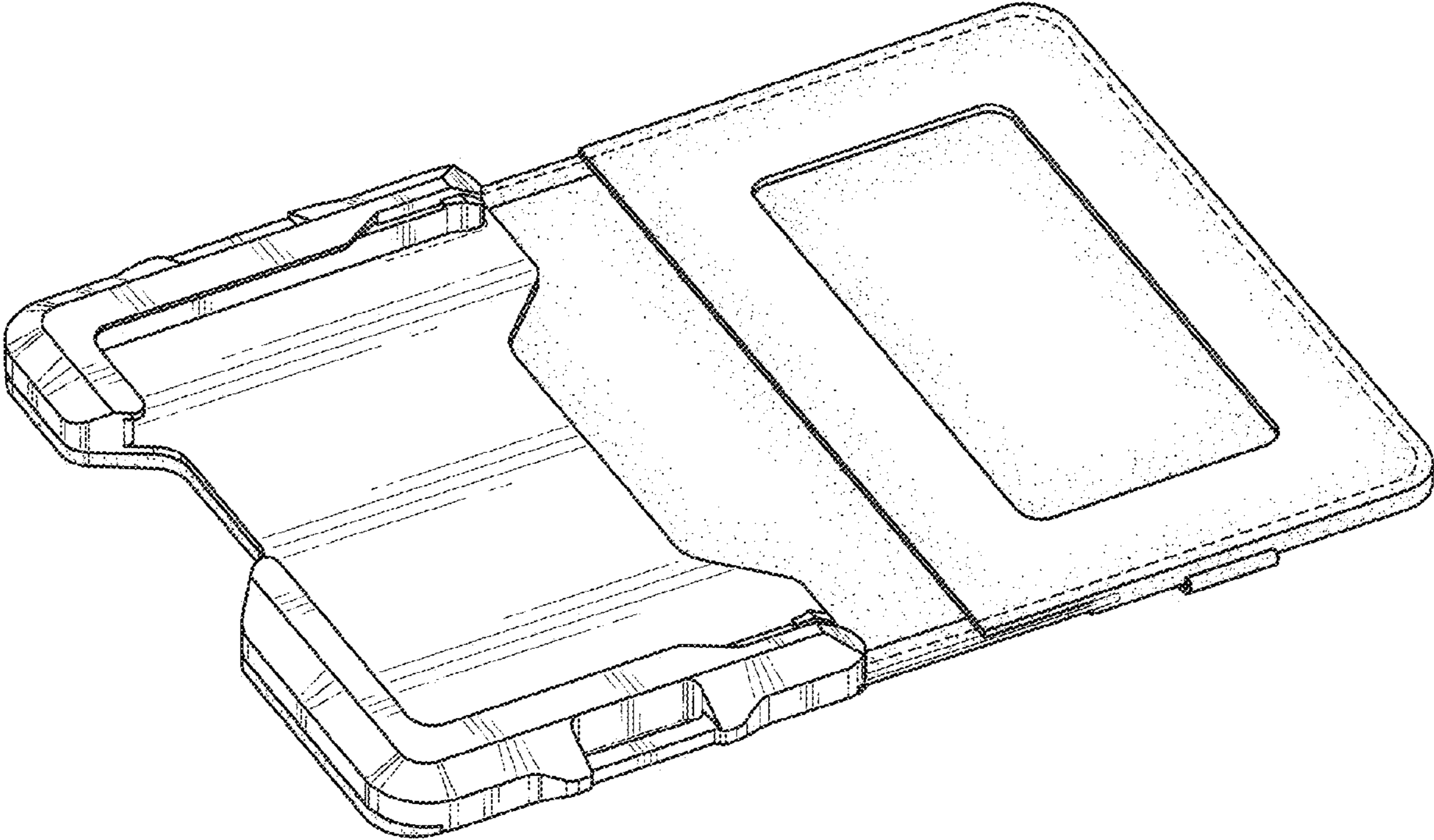


FIG. 1

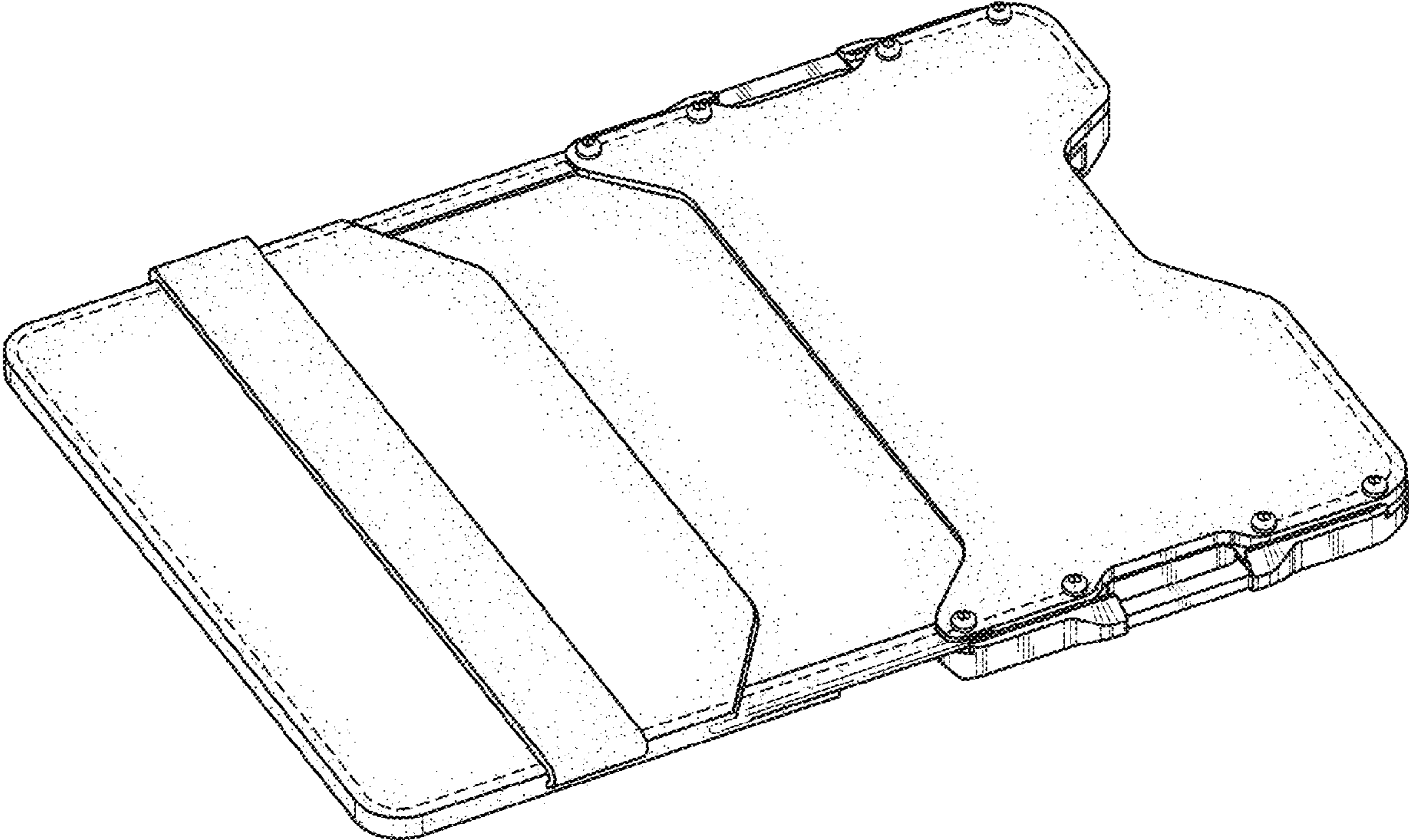


FIG. 2

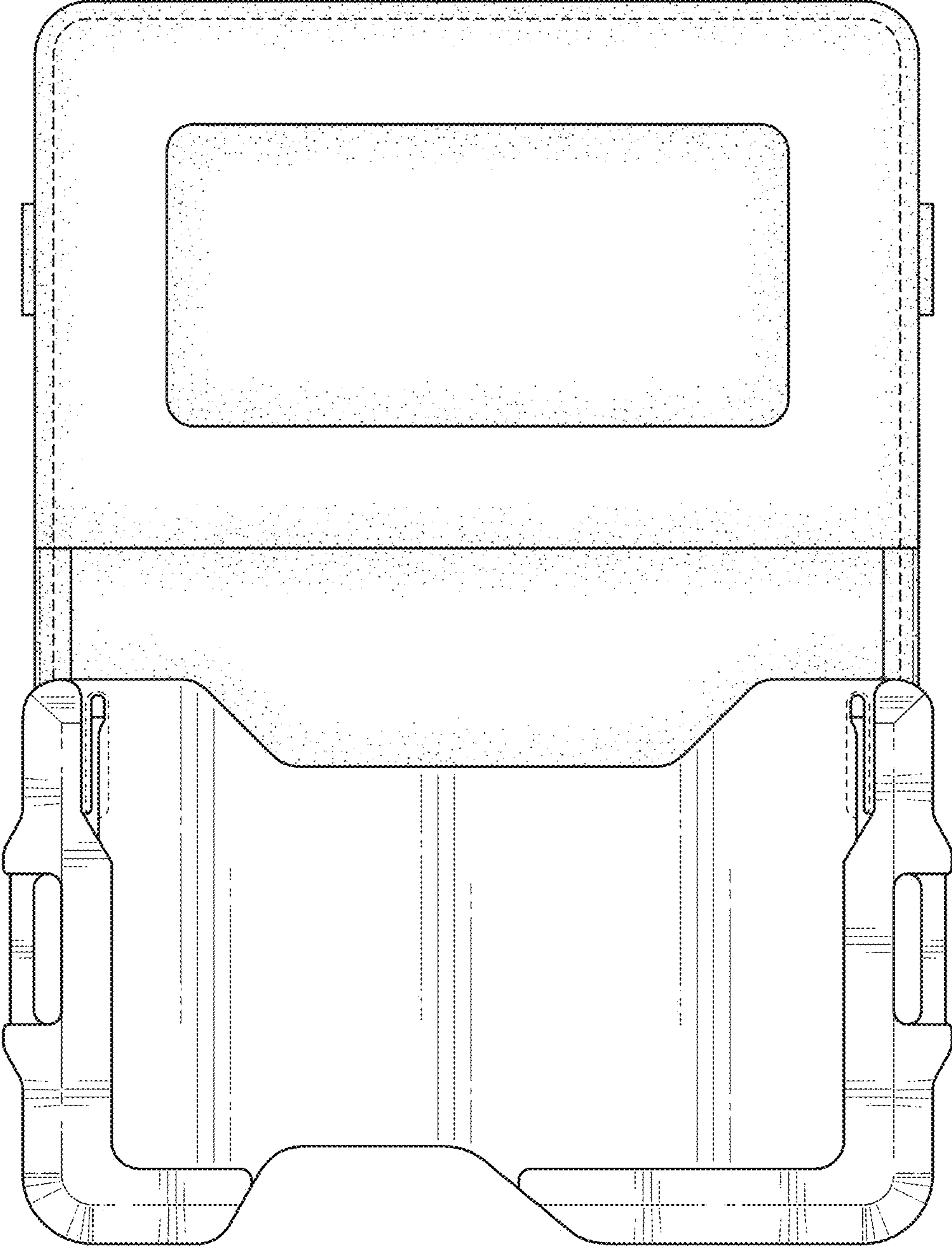


FIG. 3

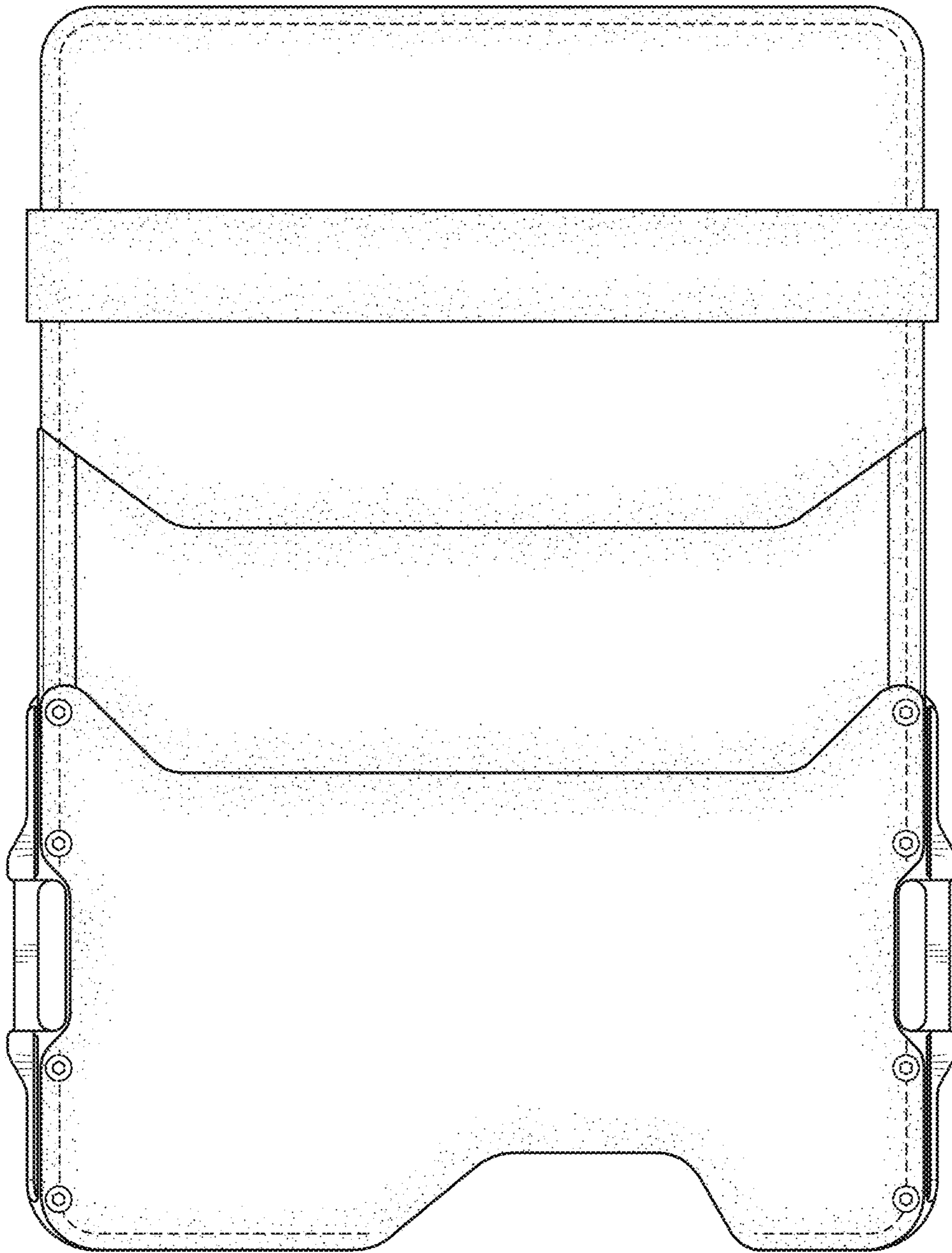


FIG. 4

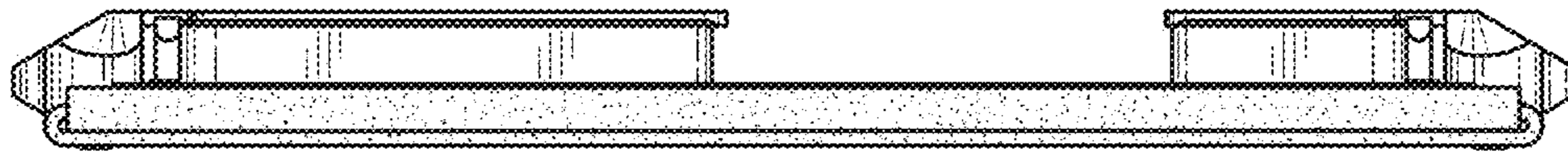


FIG. 5



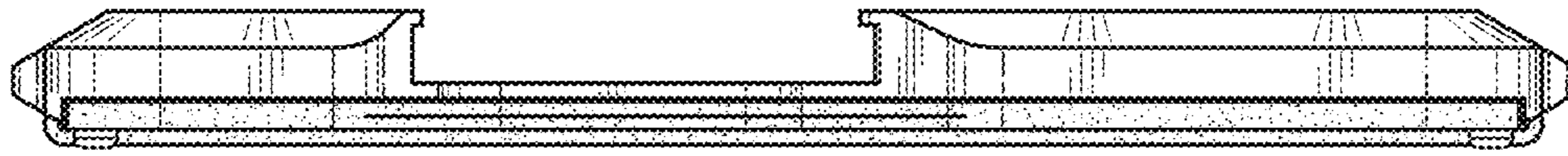


FIG. 6

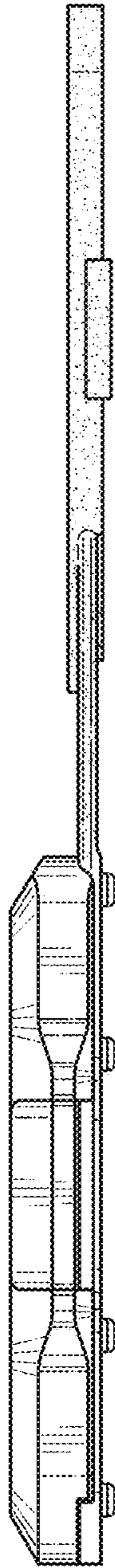


FIG. 7

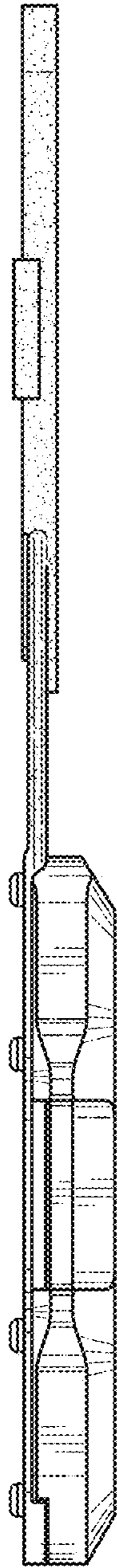


FIG. 8



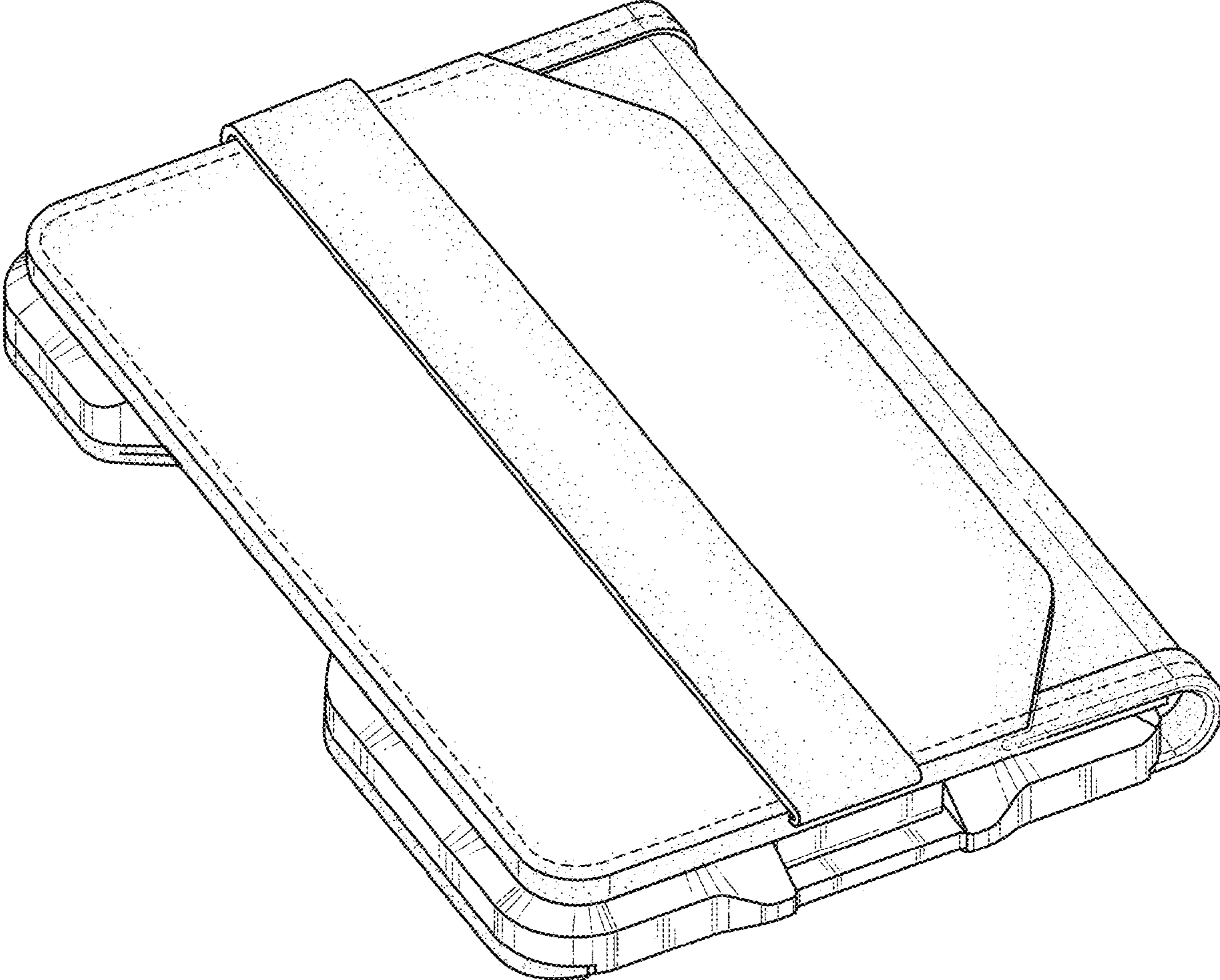


FIG. 9

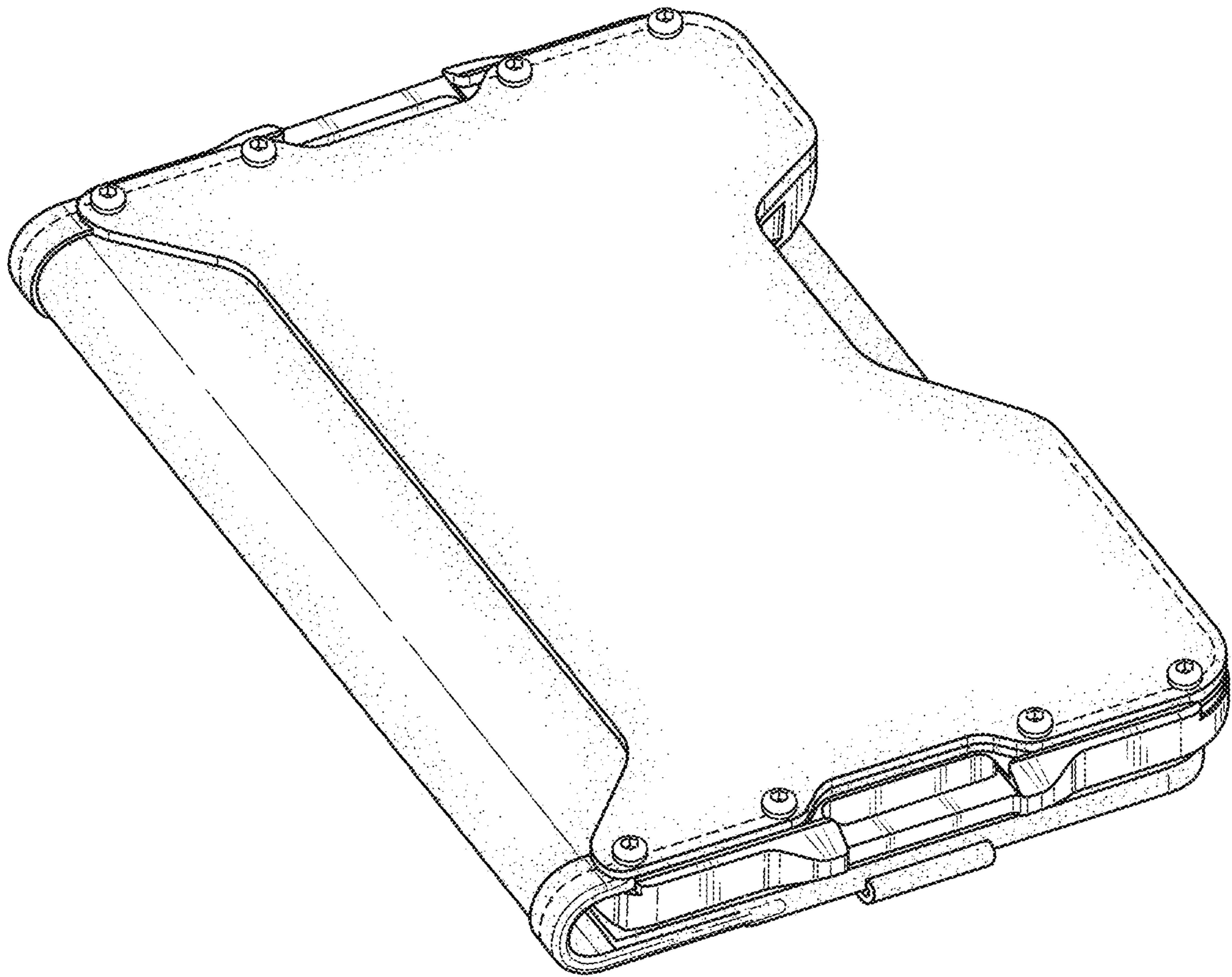


FIG. 10

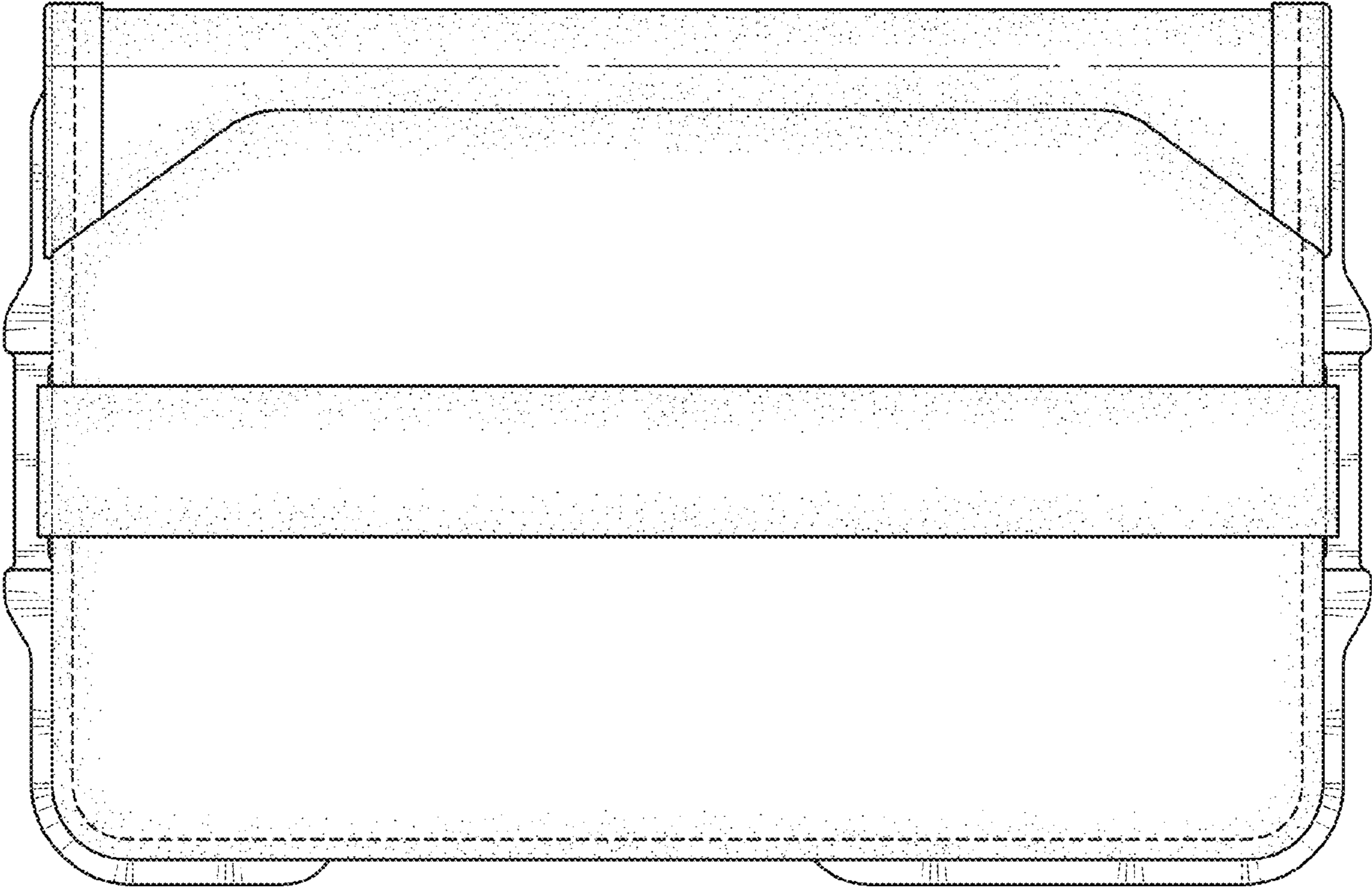


FIG. 11



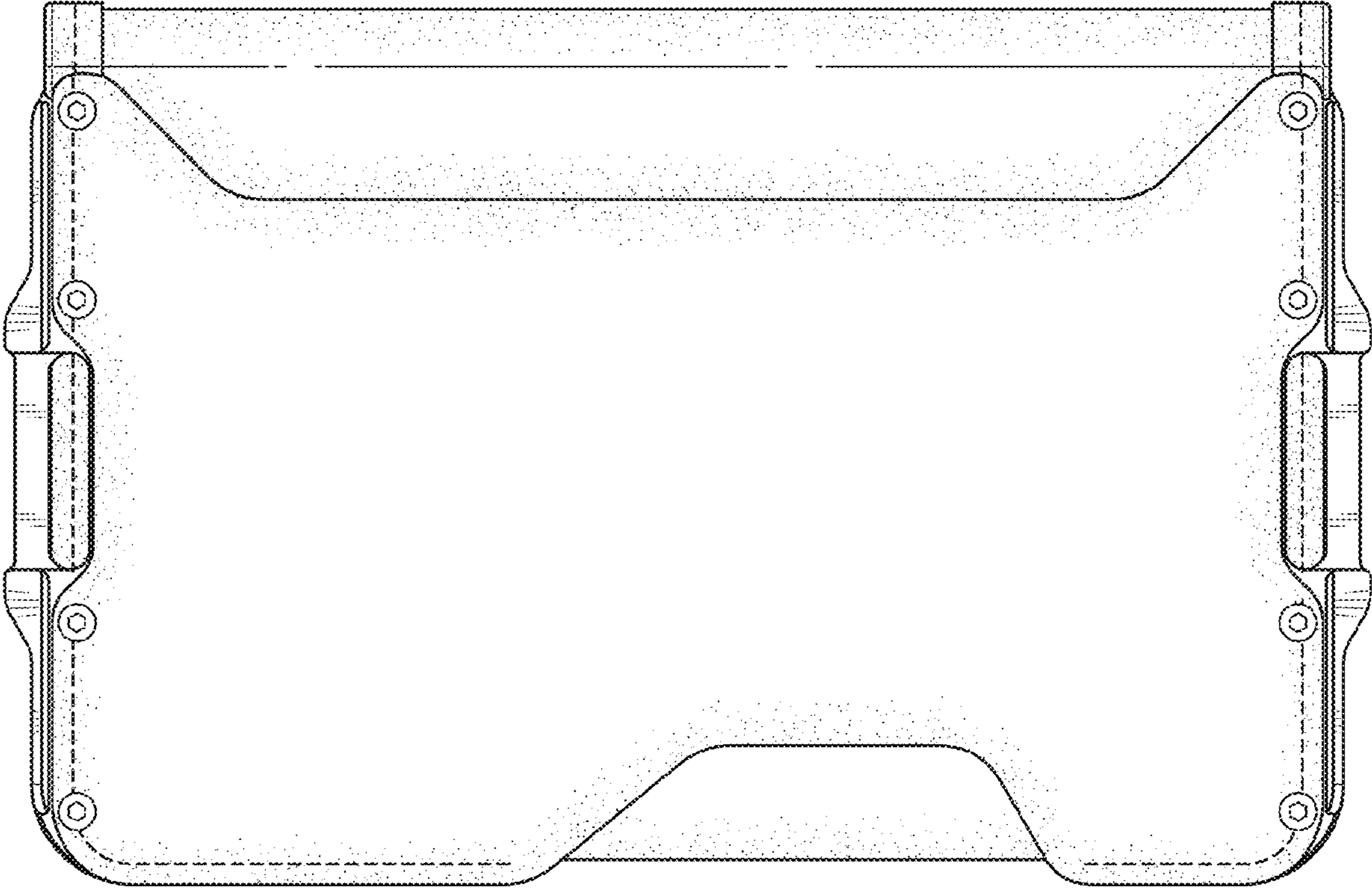


FIG. 12

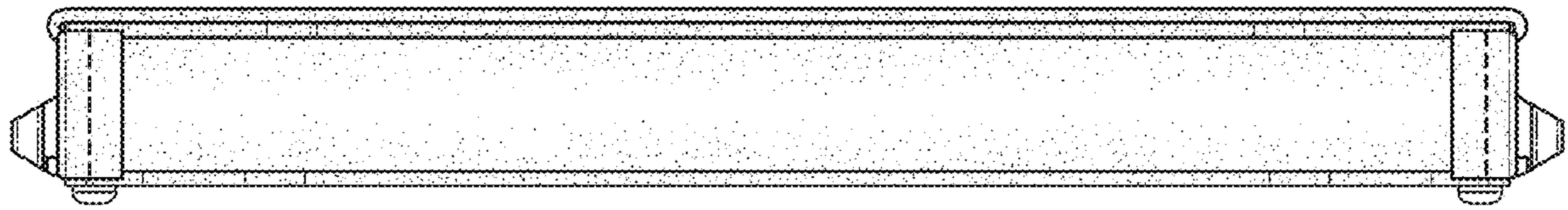


FIG. 13

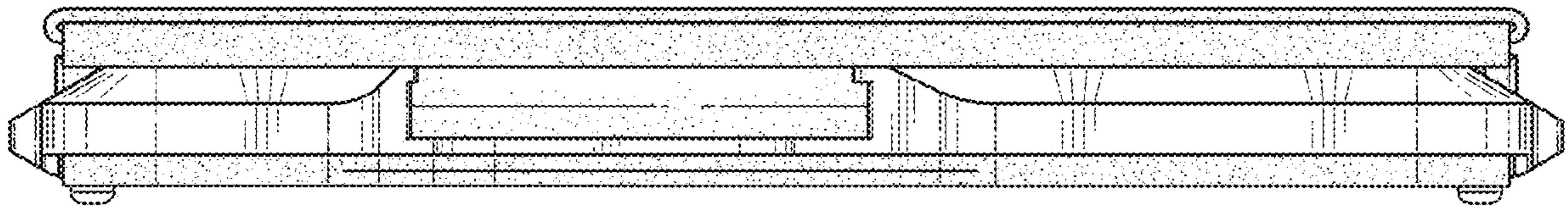


FIG. 14



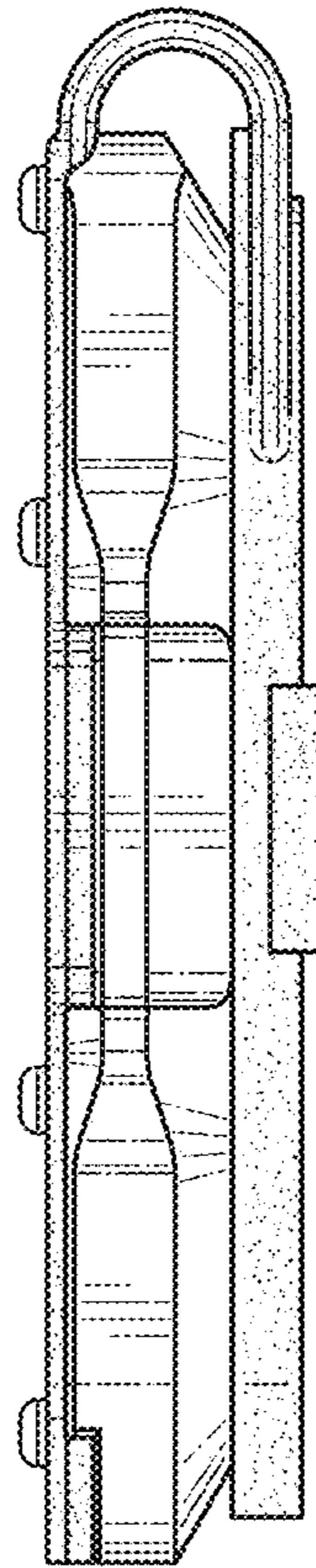


FIG. 15

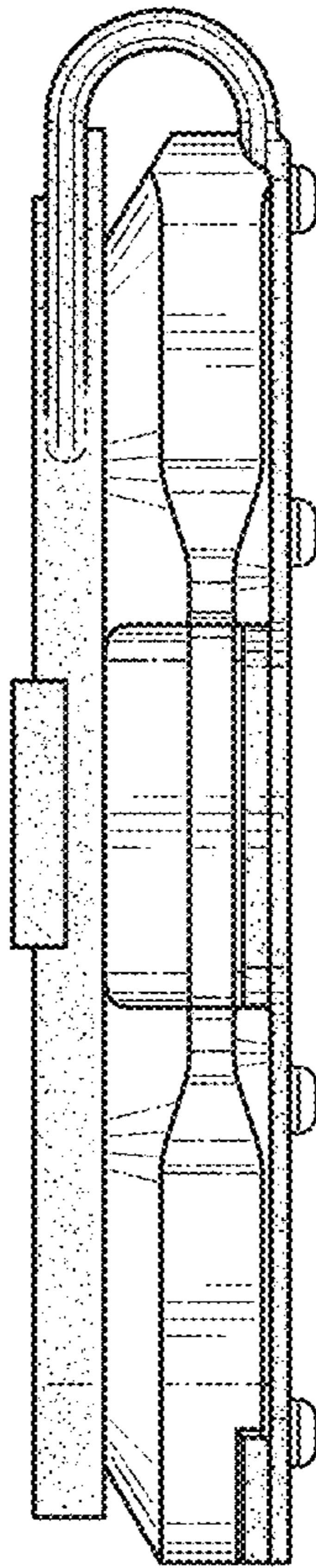


FIG. 16