



US00D950238S

(12) **United States Design Patent** (10) **Patent No.:** **US D950,238 S**  
**Yeo** (45) **Date of Patent:** **\*\* May 3, 2022**

(54) **PORTABLE DEVICE HOLDER**

(71) Applicant: **Changki Yeo**, Incheon (KR)

(72) Inventor: **Changki Yeo**, Incheon (KR)

(\*\*) Term: **15 Years**

(21) Appl. No.: **29/680,423**

(22) Filed: **Feb. 15, 2019**

(30) **Foreign Application Priority Data**

Jan. 4, 2019 (KR) ..... 30-2019-0000600

(51) **LOC (13) Cl.** ..... **03-01**

(52) **U.S. Cl.**  
USPC ..... **D3/218**

(58) **Field of Classification Search**  
USPC ..... D14/251–253, 447, 452, 432–434, 440,  
D14/439, 254, 217, 224, 224.1, 238.1,  
D14/299, 451, 483, 250, 458;  
D12/415–426, 426.1, 114, 223; D3/218,  
D3/215, 201, 207, 208, 212, 247, 232;  
D16/242, 245, 208, 206, 218, 219, 243,  
D16/237; D8/349, 363, 306, 307, 352,  
D8/401; D2/624, 625, 627, 635, 632,  
D2/999; D7/620, 619.1, 602, 701;  
D6/553, 512

CPC ..... A45C 11/00; A45C 13/1069; A45F 5/00;  
A45F 5/10; A45F 5/02; A45F 2200/0516;  
A45F 2200/0525; A45F 2200/0533; A45F  
2200/0508; A45F 2005/008; A47G  
23/0216; B60R 11/00; B60R 11/02; B60R  
11/0241; B60R 11/0252; B60R  
2011/0005; B60R 2011/0008; F16B 2/06;  
F16M 11/00; F16M 11/04; F16M 11/06;  
F16M 11/2021; F16M 11/38; F16M  
11/046; F16M 11/08; F16M 11/16; F16M  
11/041; F16M 11/2014; F16M 11/2007;  
F16M 13/00; F16C 11/045; G03B  
17/561; G03B 17/563; H04M 1/02;  
H04M 1/04; H04M 1/11; H04M 1/15;

H04M 1/026; H04M 1/0266; H04M  
1/0281; H04M 1/0202; H04M 1/6041;  
H04B 1/3877; H04B 1/3888; H04B  
1/385; H01F 7/0252; H05K 5/0204;  
H04R 1/1033; E05D 3/02

See application file for complete search history.

(56) **References Cited**

U.S. PATENT DOCUMENTS

D721,373 S \* 1/2015 Logereau ..... D14/432  
D725,659 S \* 3/2015 Tussy ..... D14/440  
D794,007 S \* 8/2017 Zhang ..... D14/250  
D817,316 S \* 5/2018 Srour ..... D14/251

(Continued)

*Primary Examiner* — Catherine R Oliver-Garcia

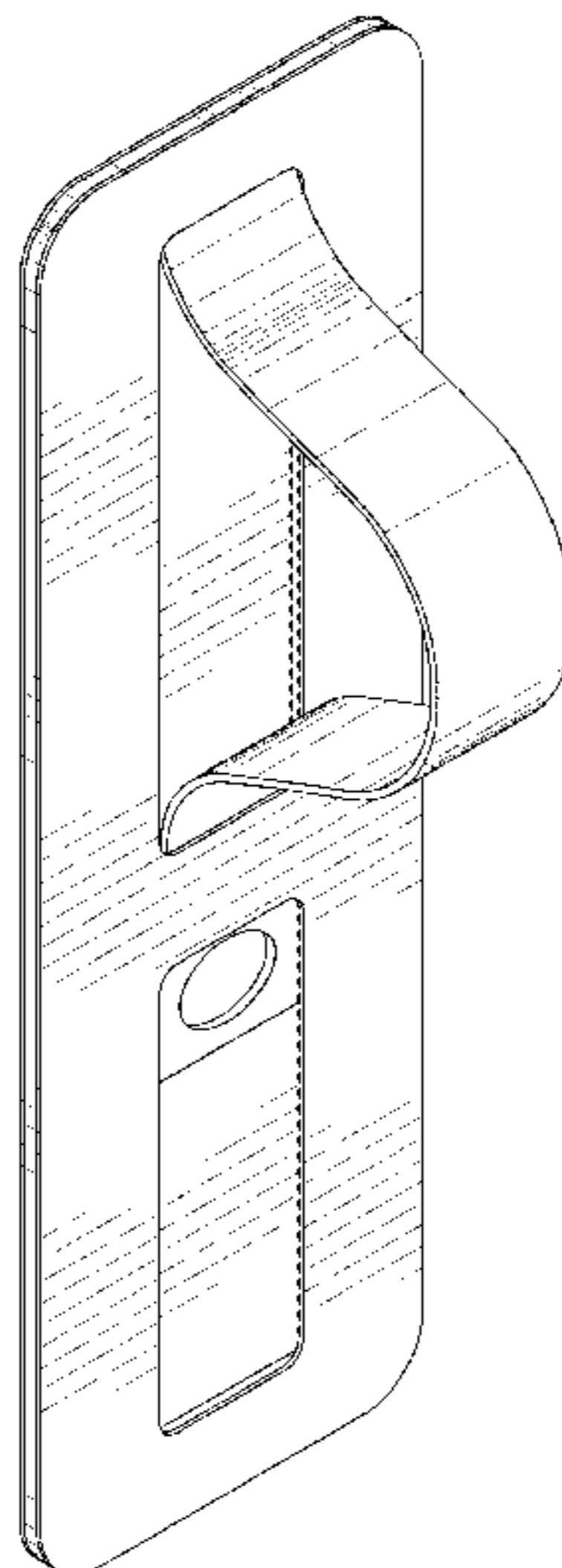
(57) **CLAIM**

The ornamental design for a portable device holder, as shown and described.

**DESCRIPTION**

FIG. 1 is a front perspective view of a portable device holder showing my new design;  
FIG. 2 is a front elevational view thereof;  
FIG. 3 is a rear elevational view thereof;  
FIG. 4 is a left side devotional view thereof, the right side elevational view being a mirror image thereof;  
FIG. 5 is a top plan view thereof, the bottom plan view being a mirror image thereof;  
FIG. 6 is a front perspective view thereof shown with the strap in a retracted condition of use;  
FIG. 7 is a front perspective view thereof; shown with a portable device and human hand in broken lines to illustrate an environment; and,  
FIG. 8 is a top perspective view thereof, shown with a substrate in broken lines to illustrate an environment.  
The broken lines showing a portable device, a human hand and a substrate in FIGS. 7-8 represent environmental structure and form no part of the claimed design.

**1 Claim, 8 Drawing Sheets**



(56)

**References Cited**

U.S. PATENT DOCUMENTS

10,610,004 B1 \* 4/2020 Yeo ..... A45F 5/10  
D894,167 S \* 8/2020 Feller ..... D14/251  
D894,889 S \* 9/2020 Feller ..... D14/251  
2010/0222118 A1 \* 9/2010 Interdanato ..... A45F 5/00  
455/575.6  
2015/0011269 A1 \* 1/2015 Liu ..... H04M 1/0202  
455/575.1  
2018/0234126 A1 \* 8/2018 Yeo ..... A45F 5/00  
2019/0055062 A1 \* 2/2019 Winn ..... H04B 1/3888  
2020/0028951 A1 \* 1/2020 Hummel ..... H04B 1/3877  
2020/0093231 A1 \* 3/2020 Mora ..... A45C 13/1069

\* cited by examiner

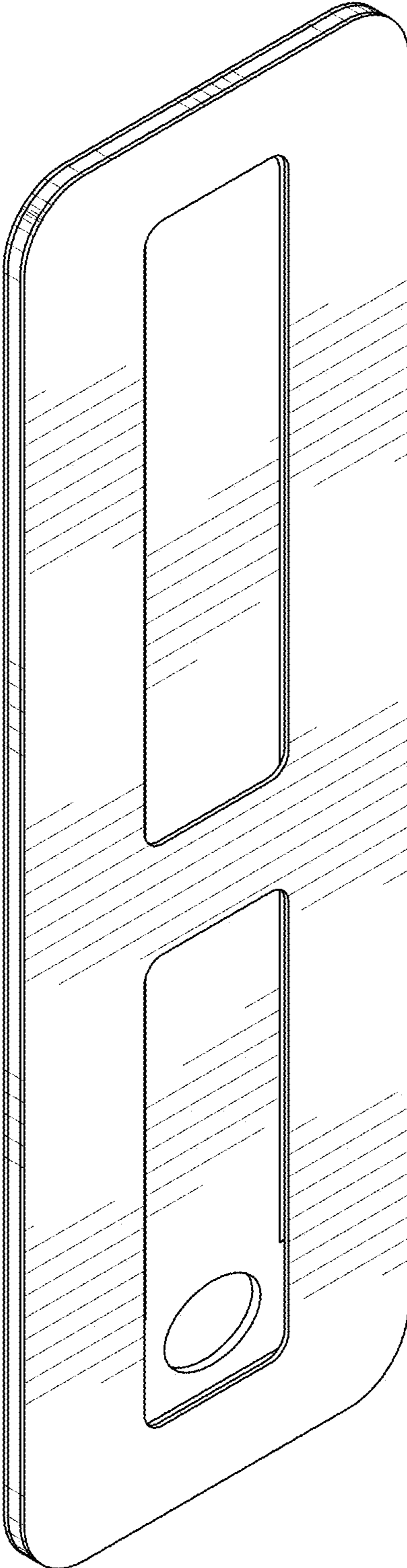


FIG. 1

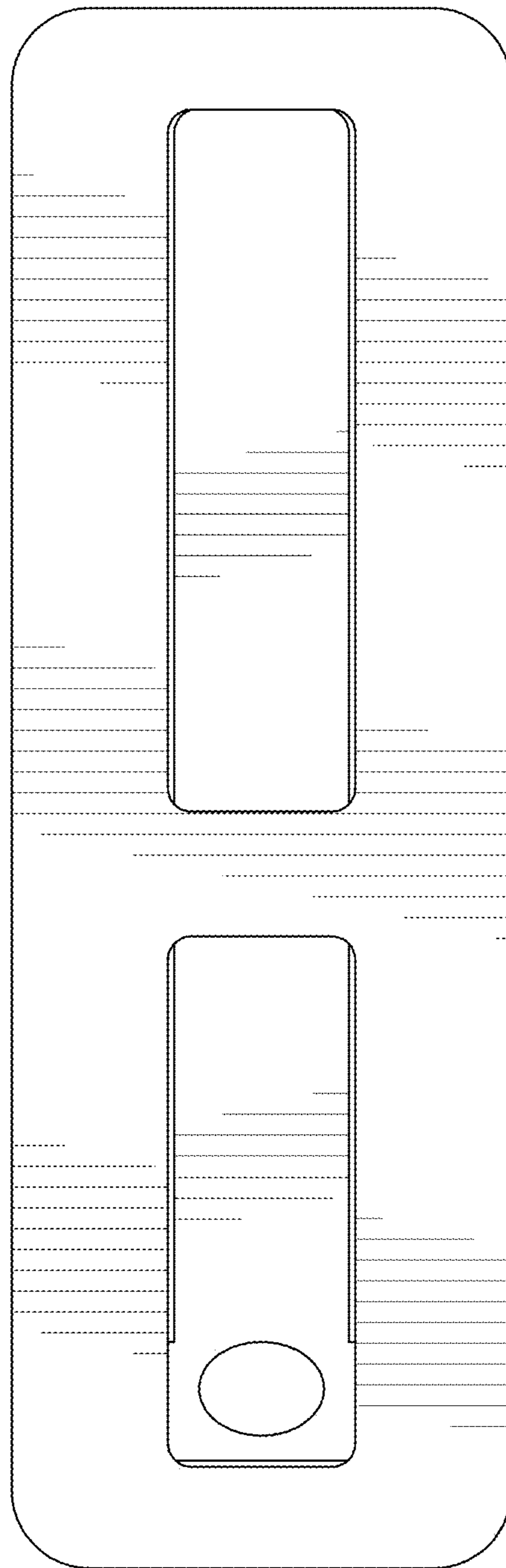


FIG. 2

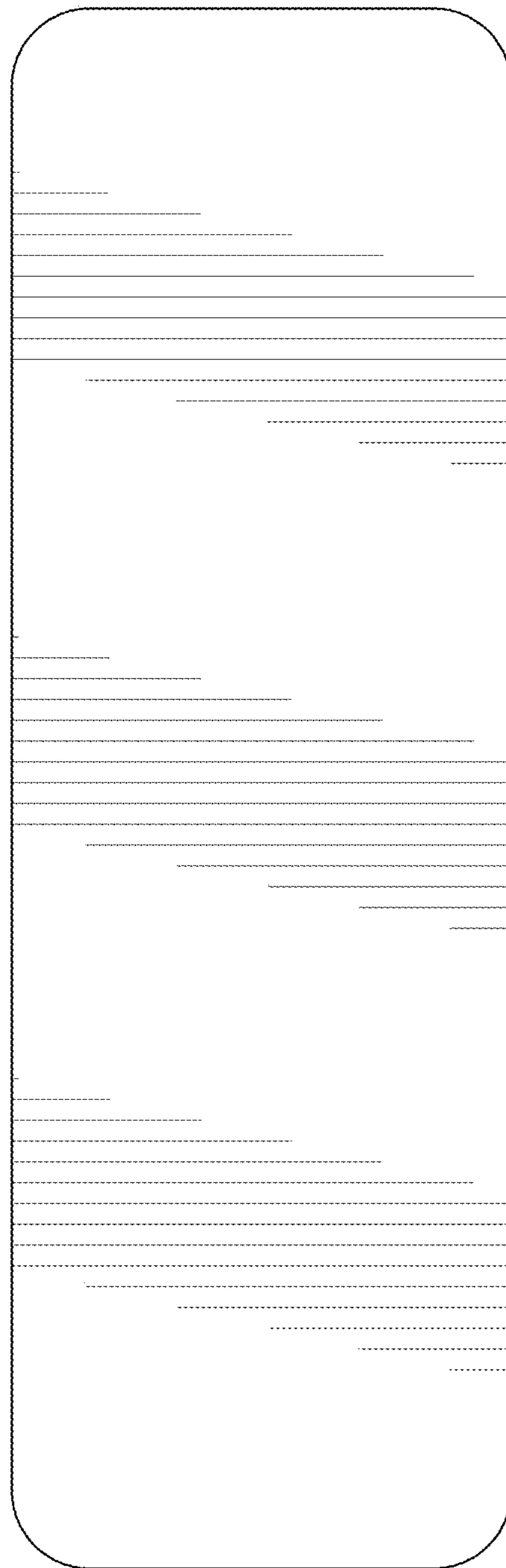


FIG. 3



FIG. 4

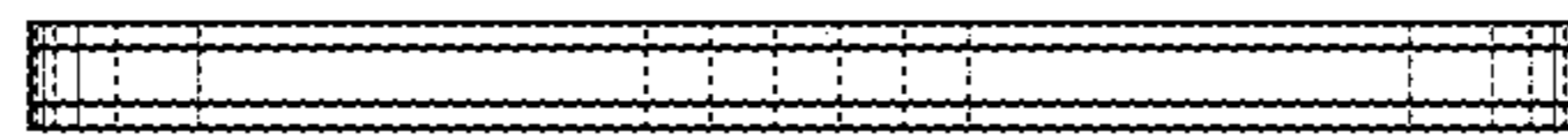


FIG. 5

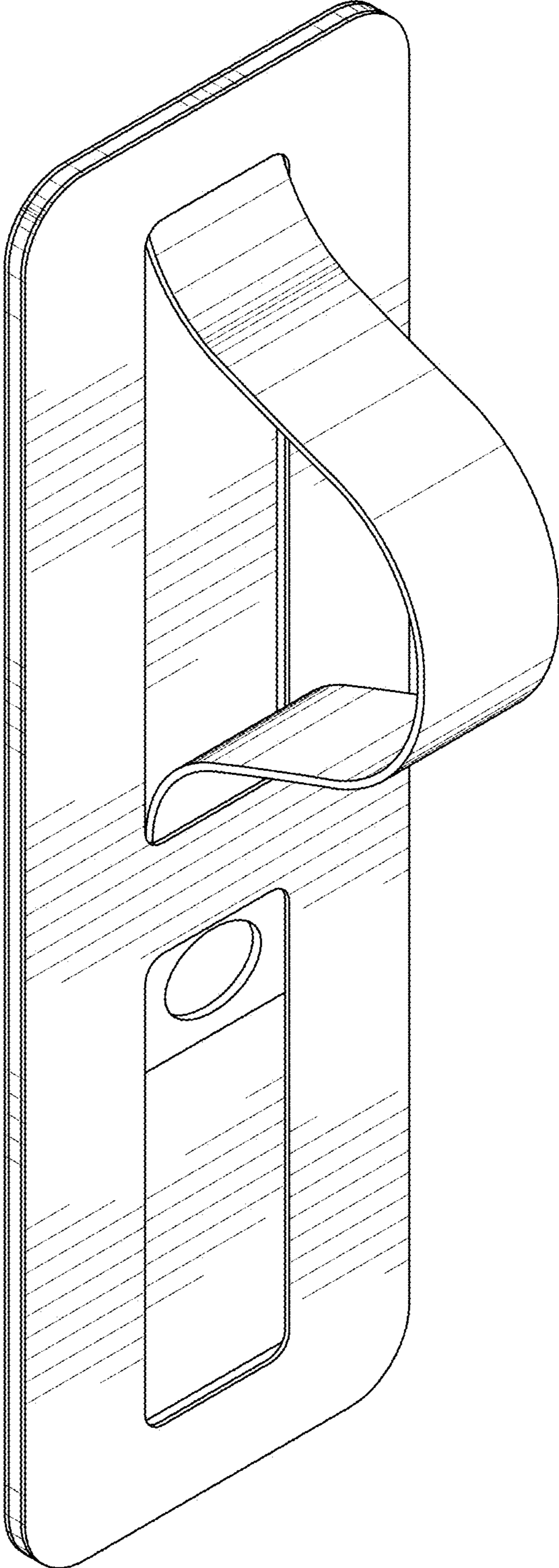


FIG. 6



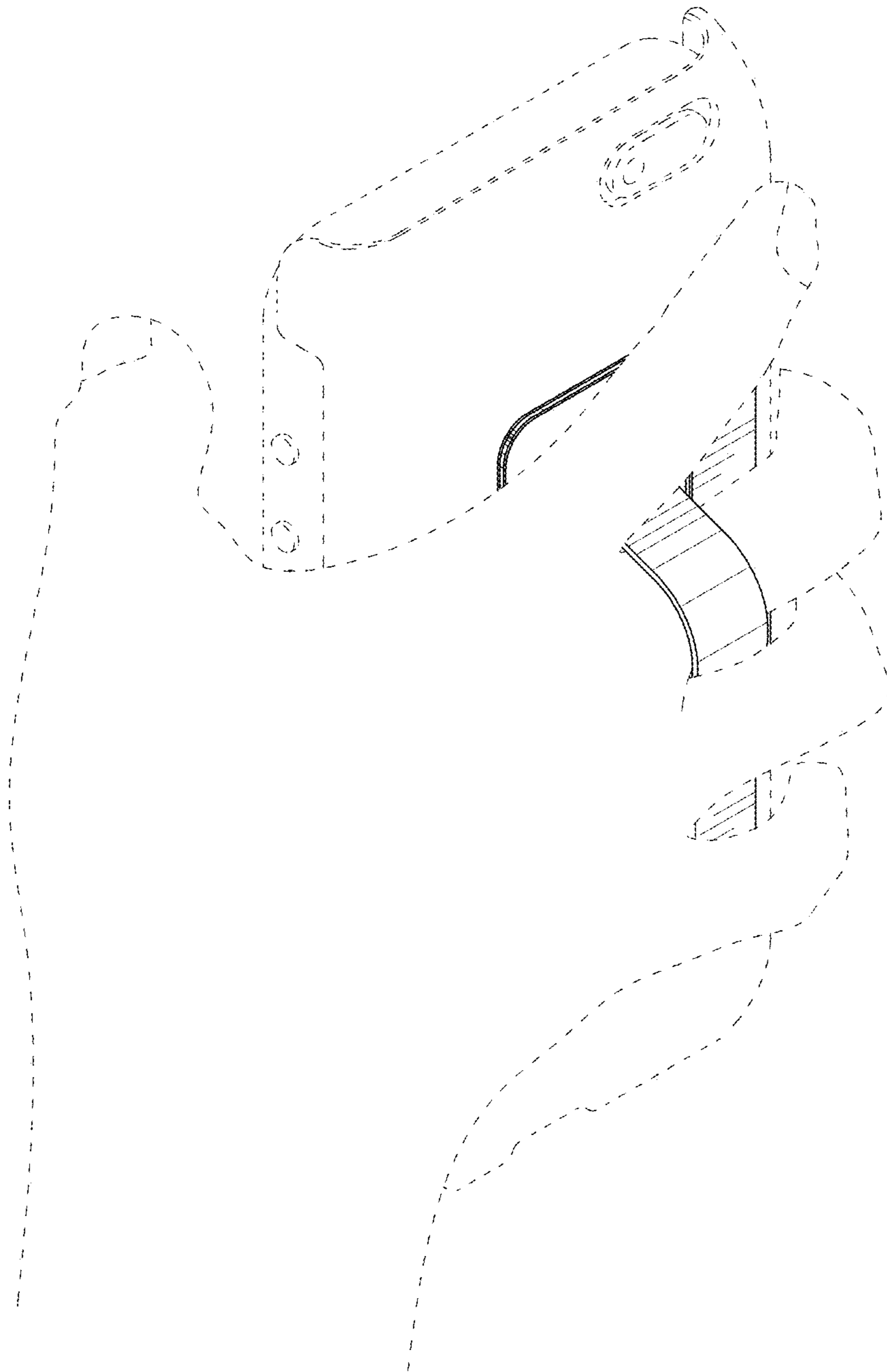


FIG. 7

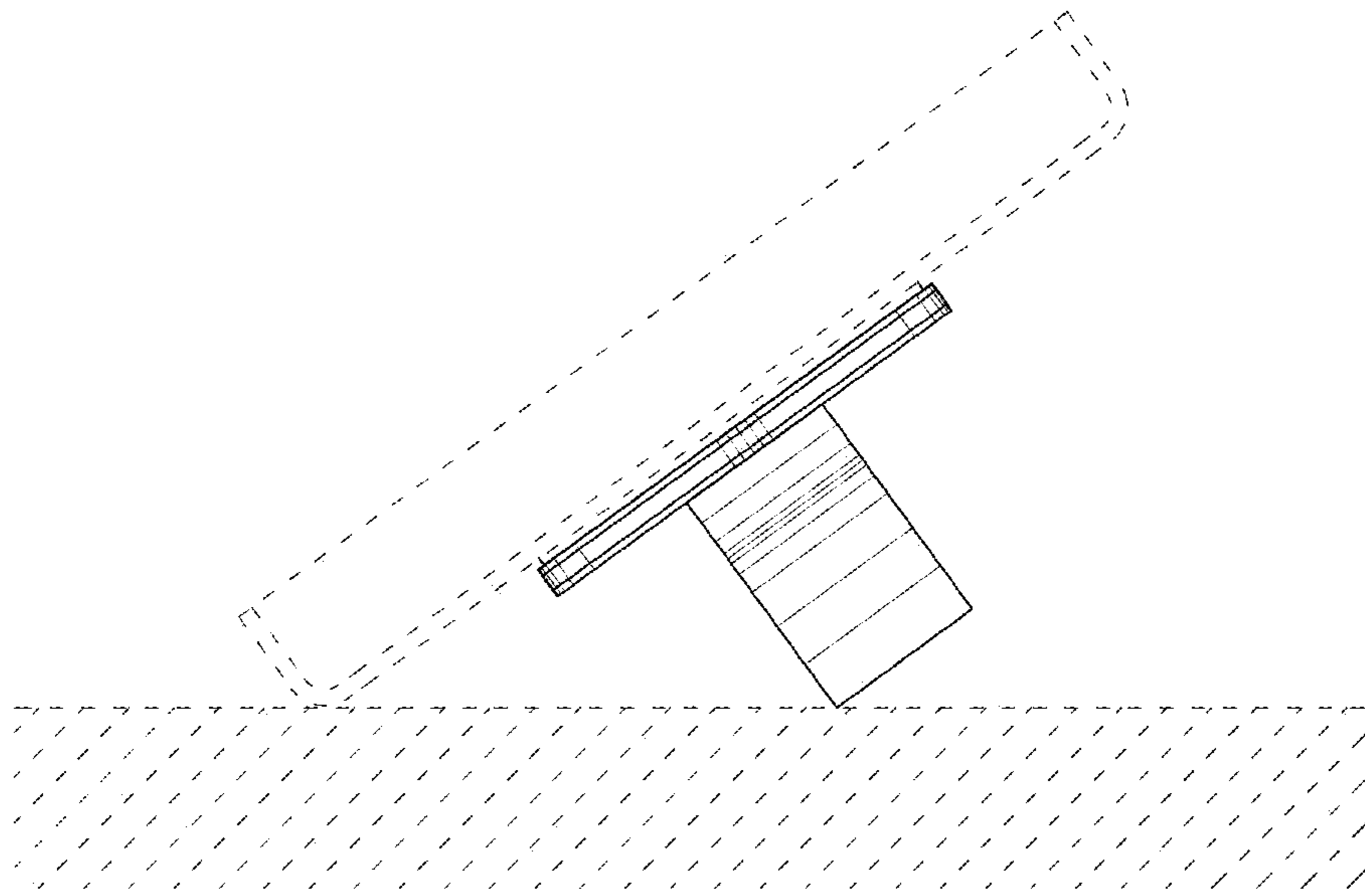


FIG. 8