



US00D950237S

(12) **United States Design Patent** (10) **Patent No.:** **US D950,237 S**
Wu (45) **Date of Patent:** **** May 3, 2022**

(54) **HANDCUFF CASE**

OTHER PUBLICATIONS

(71) Applicant: **Shenzhen Tactop Industrial Co., Ltd.**,
ShenZhen (CN)

Handcuff case . . . <https://www.tegeholster.com/products/Handcuff-Case>—No reviews listed.*

(72) Inventor: **Kaichang Wu**, ShenZhen (CN)

Handcuff Holster, Open Top Handcuff Pouch Fits Hinged Handcuffs Chain Handcuffs, Law Enforcement Handcuffs, Law Enforcement Handcuff Holder for Duty Belt, Polymer Handcuff Belt Clip Case with Quick . . . https://www.amazon.com/Handcuff-Holster-Handcuffs-Enforcement-Polymer/dp/B096ZBK228/refsr_1_1_sspa?crd=3EXLN6Y36WY5U&keywords=tege%2Bhandcuff%2Bholder&qid=1641426501&sprefix=%2Caps%2C430&sr=8-1-spons&spLa=ZW5jc nlwdGVkUXVhbGlmaWVyPUFPRINYNFTSTURHQUmZW5jc nlwdGVkSWQ9QTA2NjMzODcyNUIYRDhBRVBHQ1ILJmVuY3J5. (Year: 2019).*

(**) Term: **15 Years**

(21) Appl. No.: **29/778,096**

(22) Filed: **Apr. 10, 2021**

(51) **LOC (13) Cl.** **03-01**

(52) **U.S. Cl.**

USPC **D3/215**

(58) **Field of Classification Search**

USPC D3/215, 218, 220, 222–224, 226,
D3/228–230; D11/200–203

CPC A45F 3/00; A45F 3/14; A45F 5/00; A45F
5/02; A45F 5/021; A45F 2003/006; A45F
2005/00; A45F 2200/0575; A45F
2200/0566; E05B 75/00; Y10S 224/914

See application file for complete search history.

* cited by examiner

Primary Examiner — Catherine R Oliver-Garcia

(57) **CLAIM**

The ornamental design for a handcuff case, as shown and described.

(56) **References Cited**

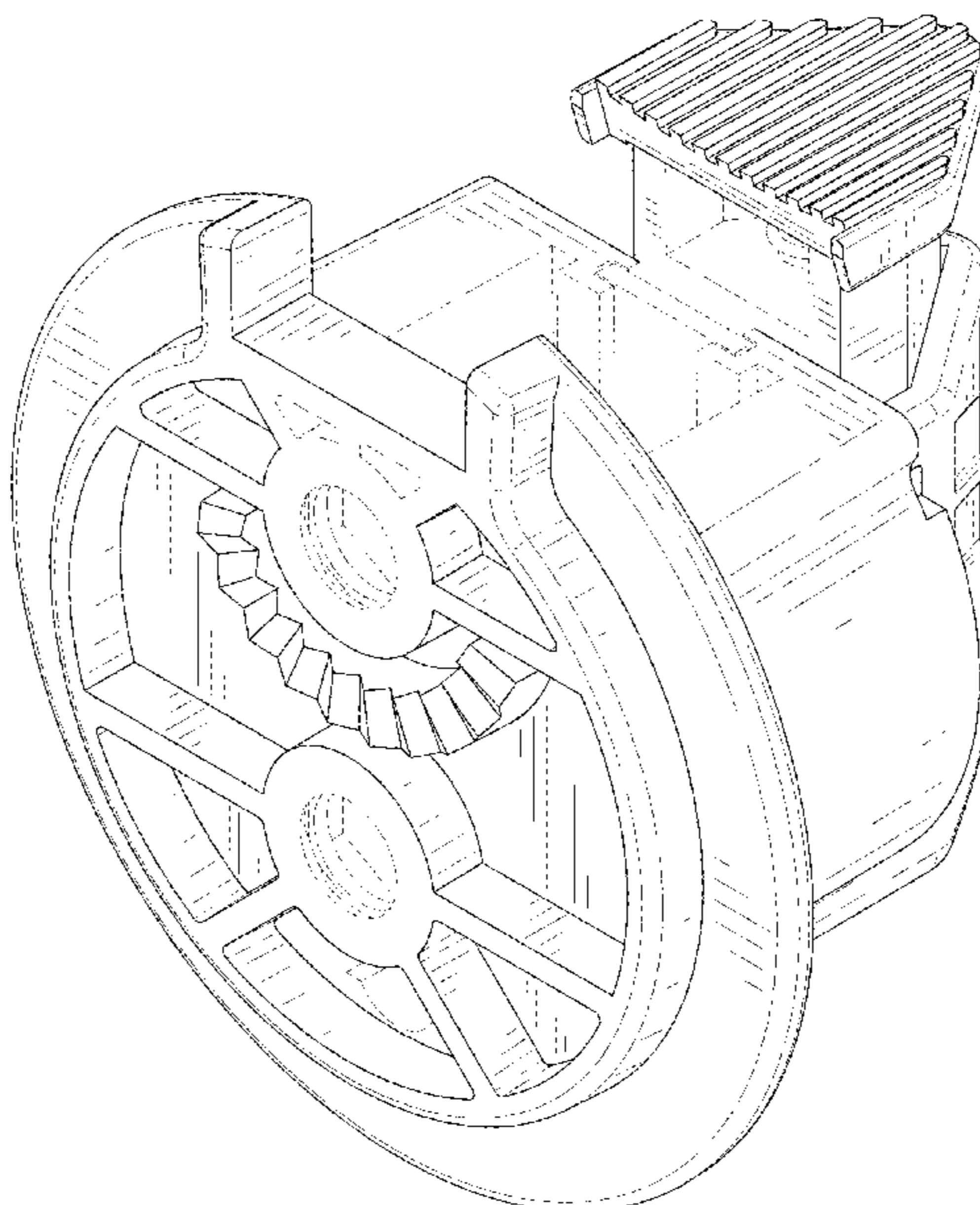
U.S. PATENT DOCUMENTS

1,413,290	A *	4/1922	O’Leary	E05B 75/00 224/245
3,826,414	A *	7/1974	Valadez	E05B 75/00 224/231
3,870,208	A *	3/1975	Theodore	E05B 75/00 224/250
D238,629	S *	2/1976	Tibbetts	D3/230
D364,038	S *	11/1995	Stanchin	D3/230
D543,020	S	5/2007	Kha		
D592,394	S *	5/2009	Kha	D3/215
D751,812	S *	3/2016	Bagala	D3/215
9,504,310	B2 *	11/2016	Foreman	A45F 5/021
D793,076	S *	8/2017	Nash	D3/215
2011/0062203	A1 *	3/2011	Weger	A45F 5/021 224/666

DESCRIPTION

FIG. 1 is a front and top perspective view of a handcuff case, showing my new design;
FIG. 2 is a rear and bottom perspective view thereof;
FIG. 3 is a front elevation view thereof;
FIG. 4 is a rear elevation view thereof;
FIG. 5 is a left side elevation view thereof;
FIG. 6 is a right side elevation view thereof;
FIG. 7 is a top plan view thereof; and,
FIG. 8 is a bottom plan view thereof.
The broken lines in the figures illustrate portions of the handcuff ease that form no part of the claimed design.

1 Claim, 8 Drawing Sheets



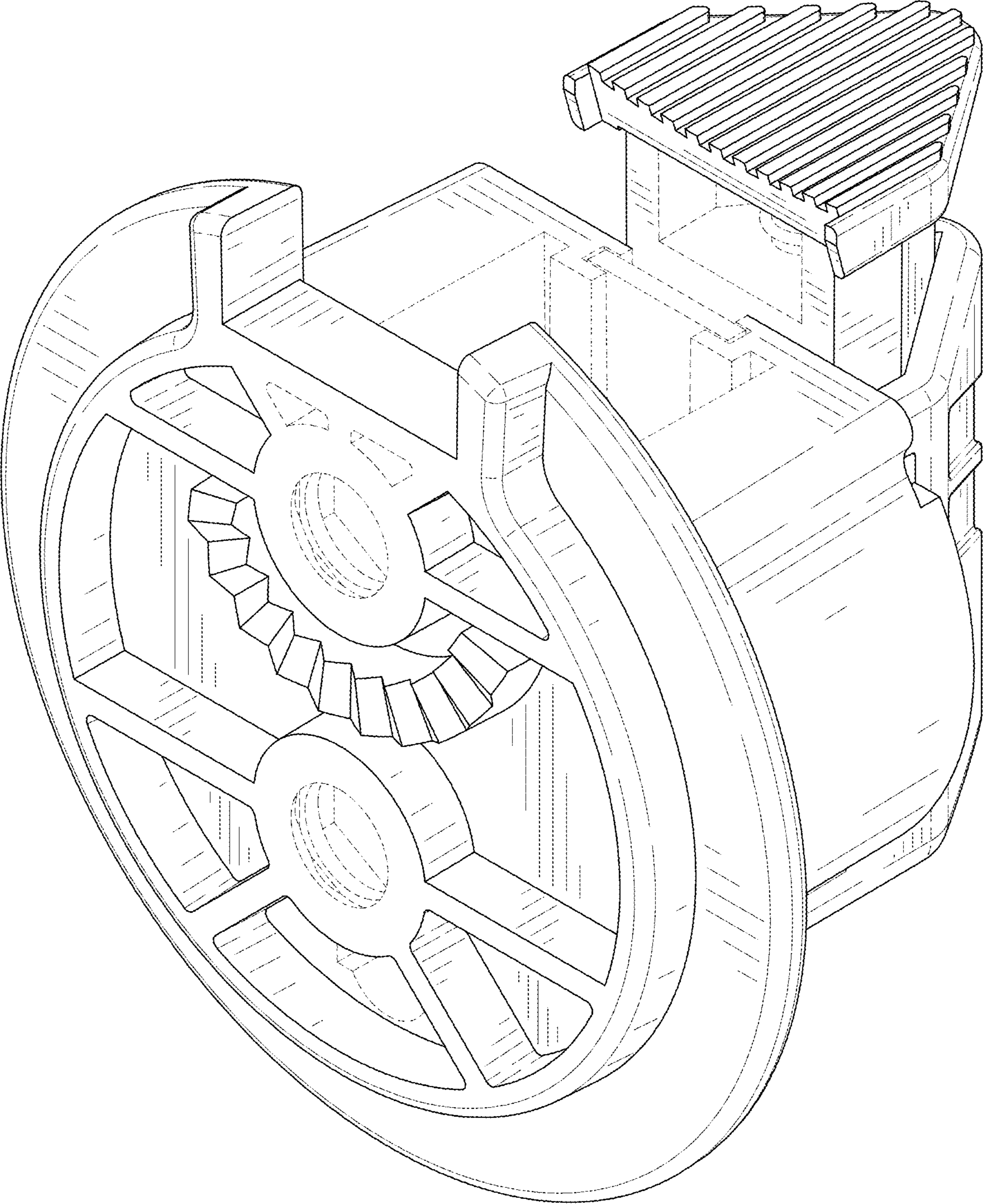


FIG. 1

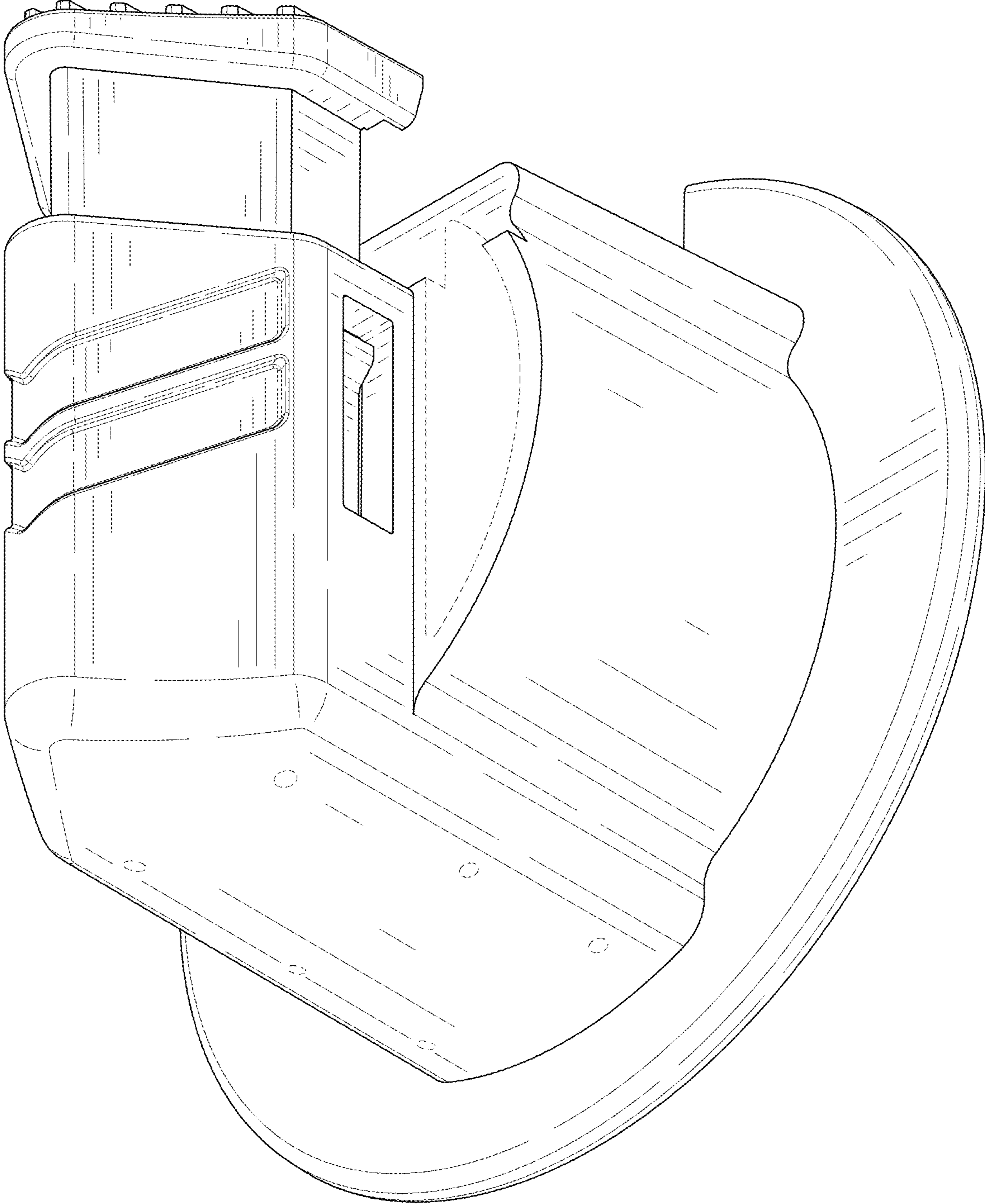


FIG. 2

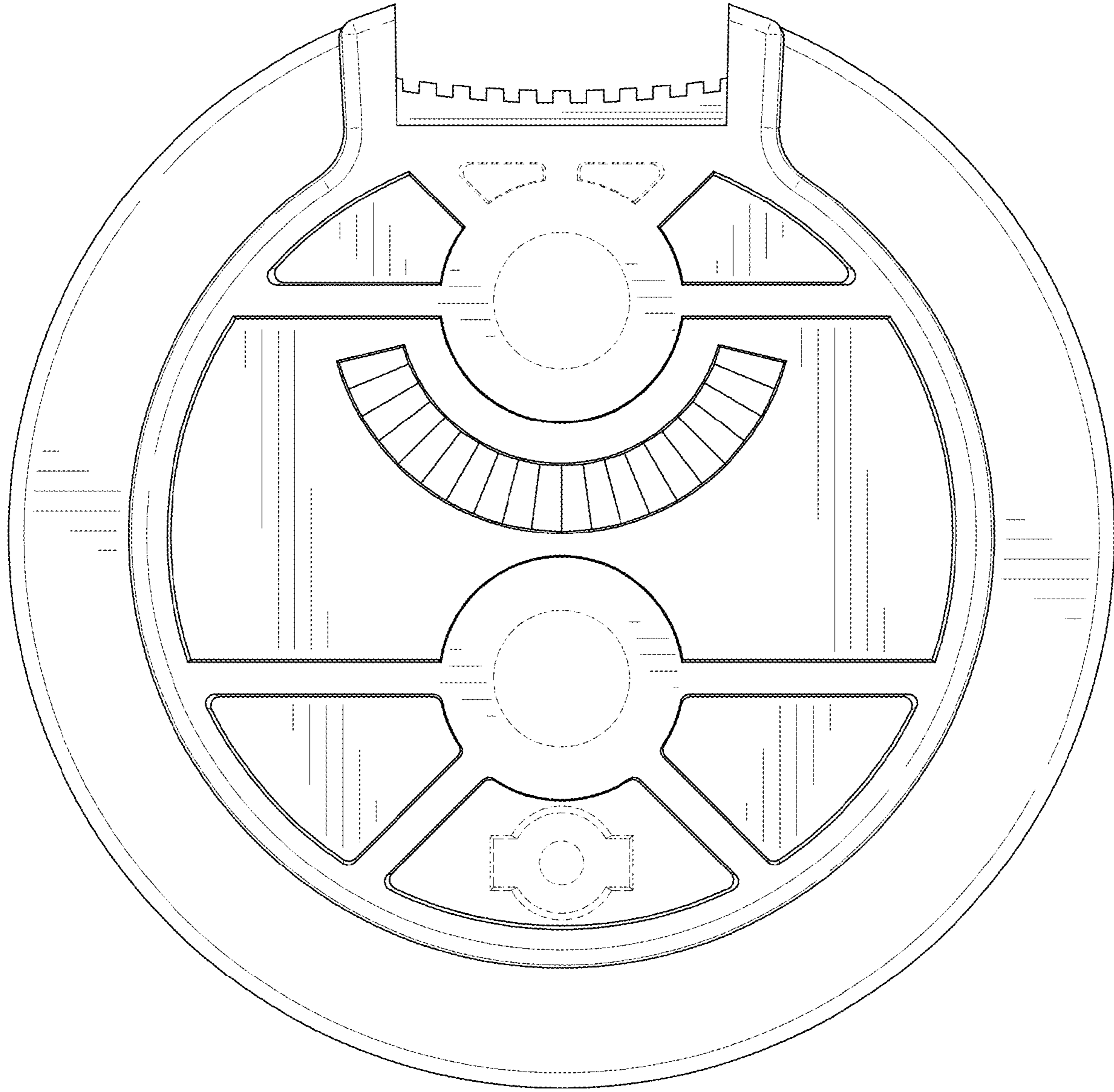


FIG. 3

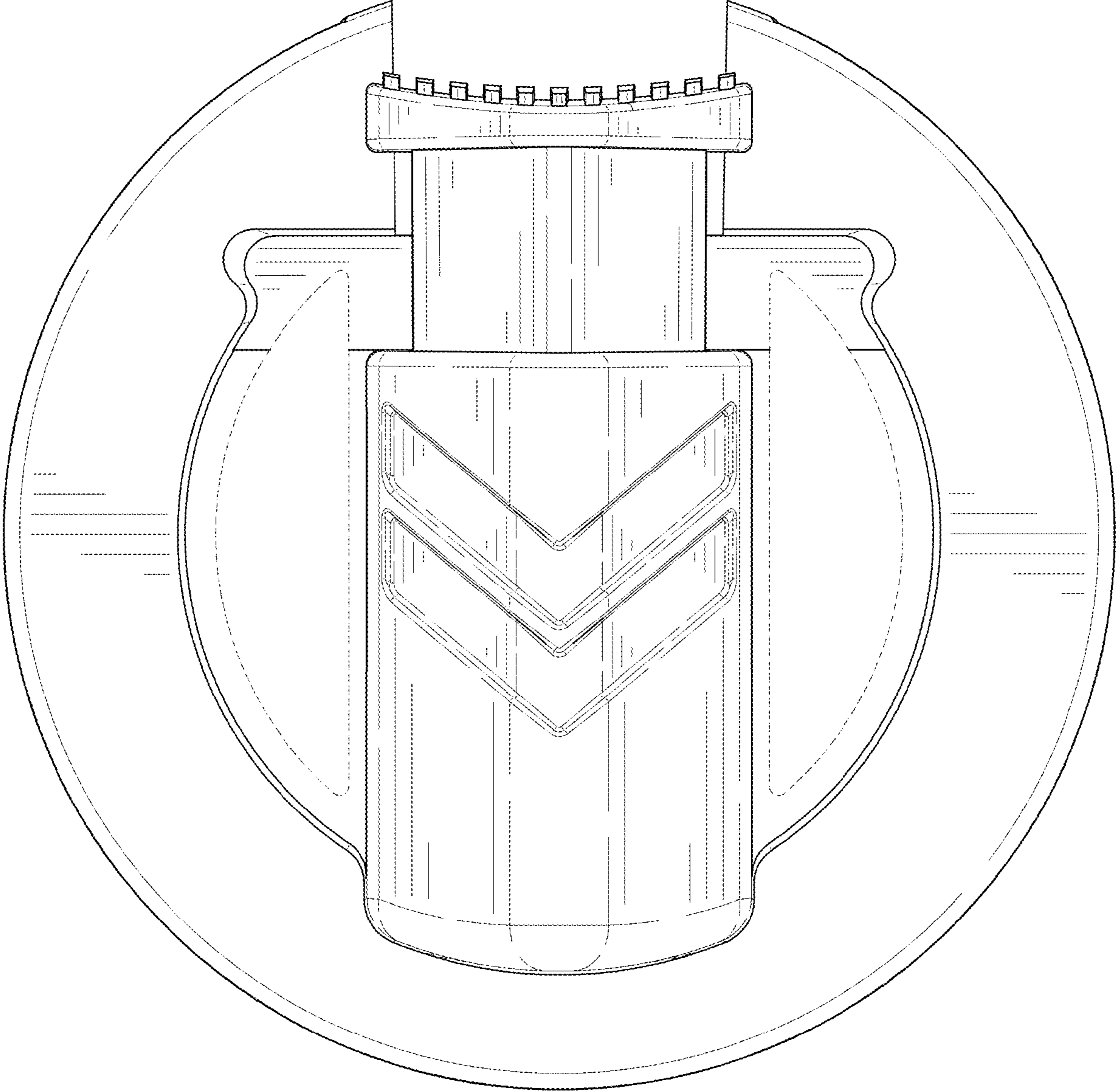


FIG. 4

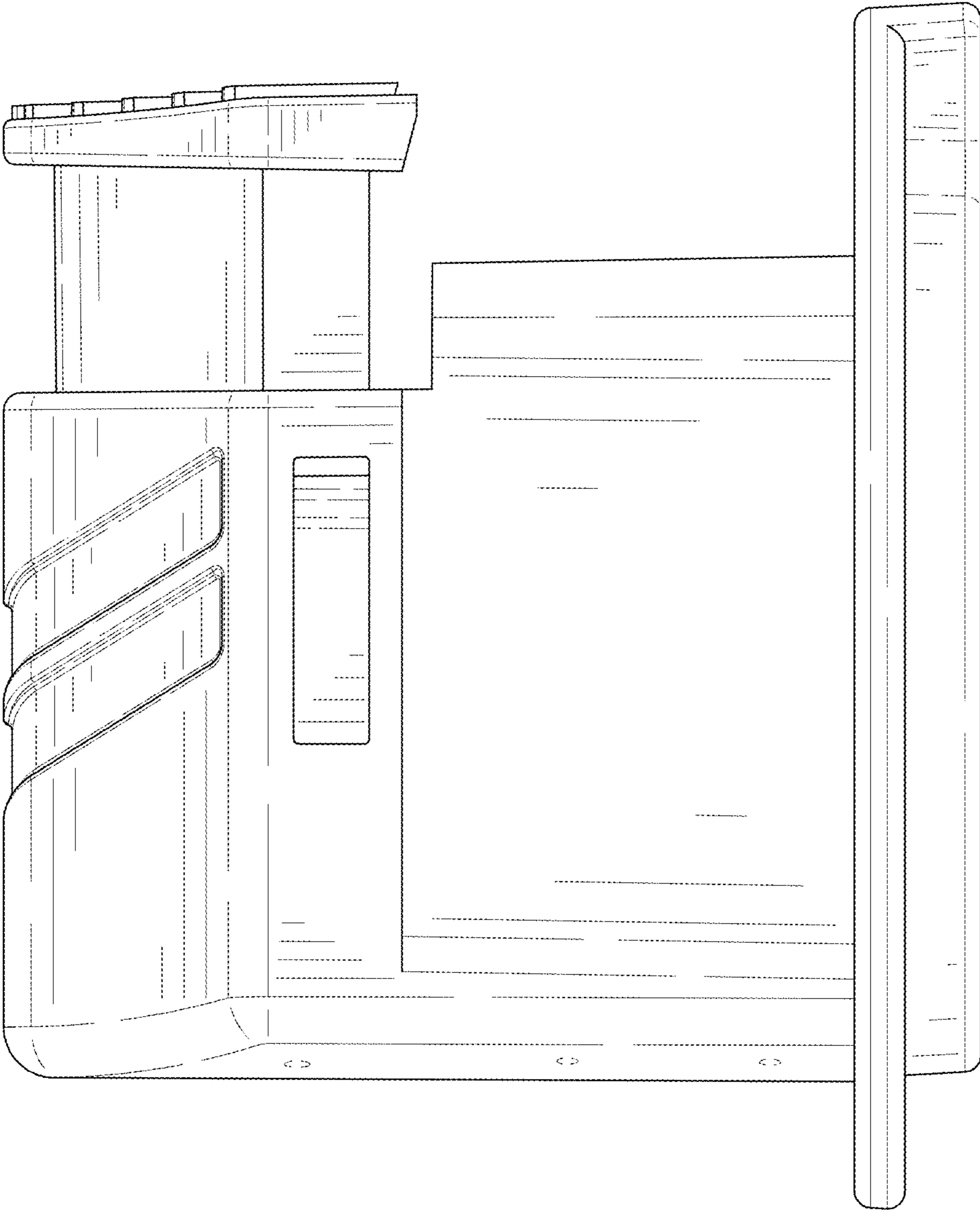


FIG. 5

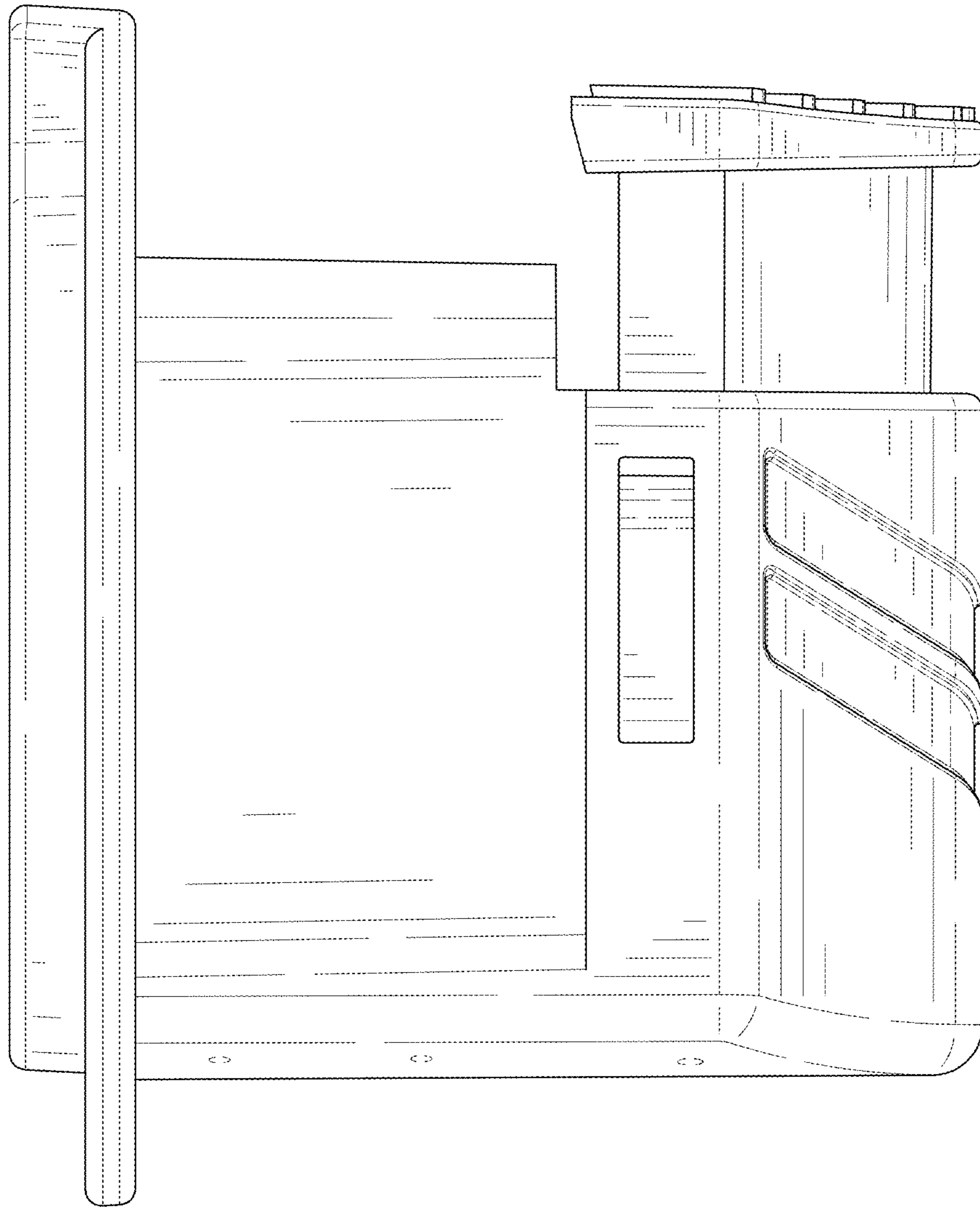


FIG. 6

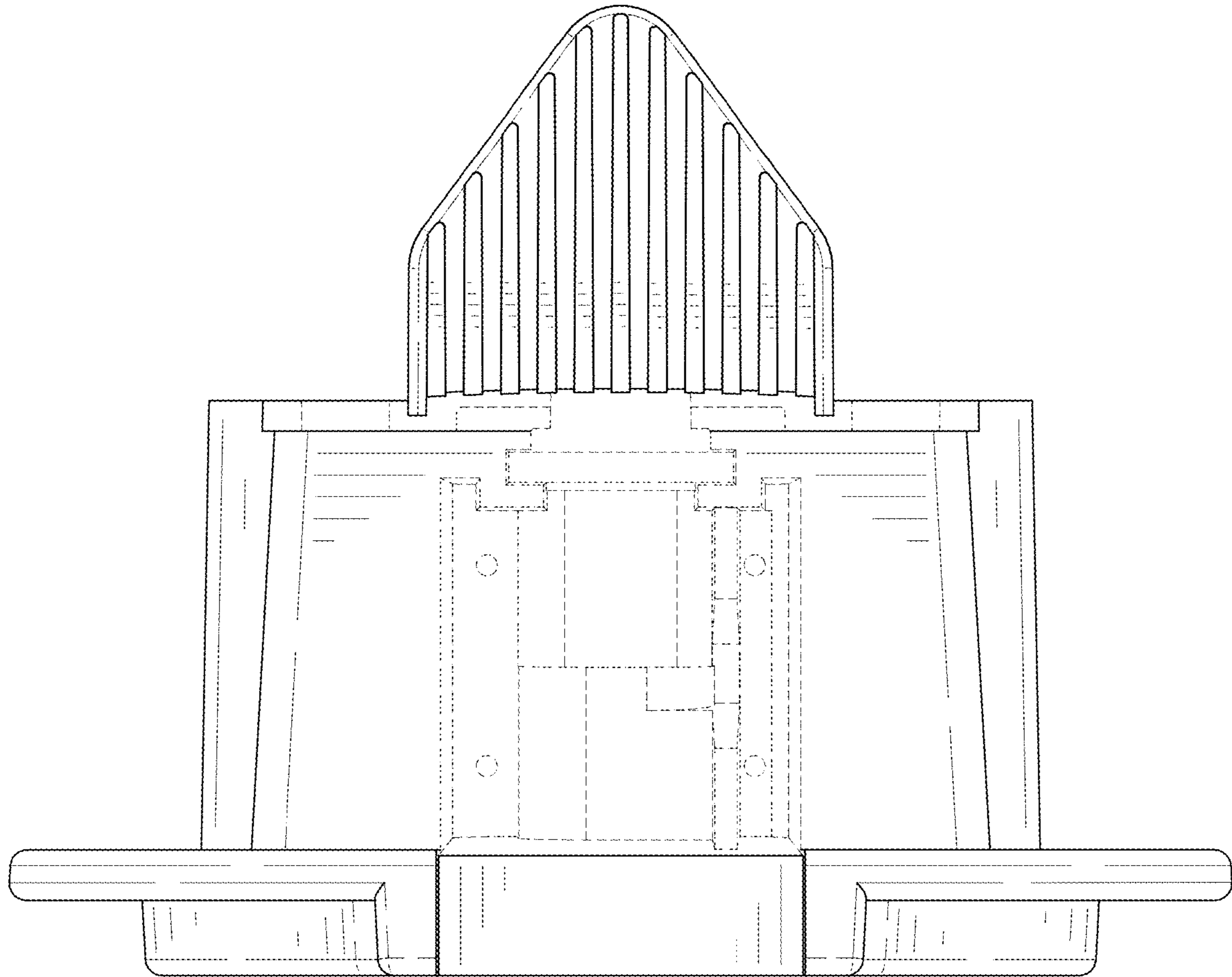


FIG. 7

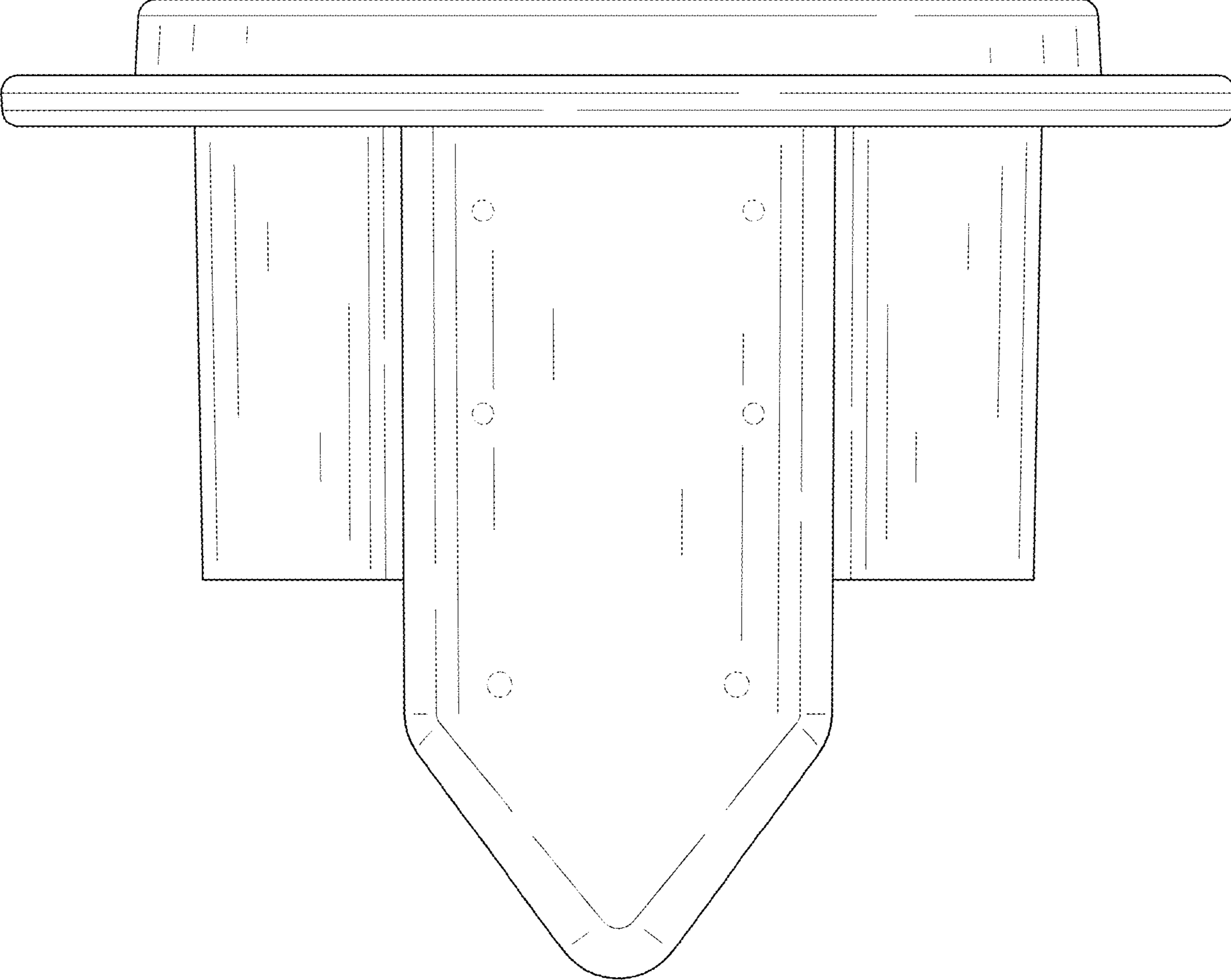


FIG. 8