



US00D950236S

(12) **United States Design Patent**  
**Akana et al.**

(10) **Patent No.:** **US D950,236 S**

(45) **Date of Patent:** **\*\* May 3, 2022**

(54) **ACCESSORY FOR AN ELECTRONIC DEVICE**

(71) Applicant: **Apple Inc.**, Cupertino, CA (US)

(72) Inventors: **Jody Akana**, San Francisco, CA (US); **Molly Anderson**, San Francisco, CA (US); **Bartley K. Andre**, Palo Alto, CA (US); **Shota Aoyagi**, San Francisco, CA (US); **Anthony Michael Ashcroft**, San Francisco, CA (US); **Marine C. Bataille**, San Francisco, CA (US); **Jeremy Bataillou**, San Francisco, CA (US); **Markus Diebel**, San Francisco, CA (US); **M. Evans Hankey**, San Francisco, CA (US); **Julian Hoenig**, San Francisco, CA (US); **Richard P. Howarth**, San Francisco, CA (US); **Jonathan P. Ive**, San Francisco, CA (US); **Julian Jaede**, San Francisco, CA (US); **Duncan Robert Kerr**, San Francisco, CA (US); **Peter Russell-Clarke**, San Francisco, CA (US); **Benjamin Andrew Shaffer**, San Jose, CA (US); **Joe Sung-Ho Tan**, San Francisco, CA (US); **Clement Tissandier**, San Francisco, CA (US); **Eugene Antony Whang**, San Francisco, CA (US); **Rico Zörkendörfer**, San Francisco, CA (US)

(73) Assignee: **Apple Inc.**, Cupertino, CA (US)

(\*\*) Term: **15 Years**

(21) Appl. No.: **29/739,577**

(22) Filed: **Jun. 26, 2020**

(51) **LOC (13) Cl.** ..... **03-01**

(52) **U.S. Cl.**  
USPC ..... **D3/215; D3/207**

(58) **Field of Classification Search**  
USPC ..... **D3/215, 218-219, 207-210; D11/1-3, D11/14, 202-203, 207; D10/104.1,**  
(Continued)

(56) **References Cited**

U.S. PATENT DOCUMENTS

D251,754 S \* 5/1979 Tyson ..... D3/207  
D252,356 S \* 7/1979 Garcia ..... D3/207

(Continued)

FOREIGN PATENT DOCUMENTS

CN 305642468 S 3/2020

OTHER PUBLICATIONS

Airtag Simple Leather Keychain case . . . <https://astrastraps.com/products/leather-key-ring-for-apple-airtags-case-protector-cover-bumper-shell-with-keychain-anti-scratch-accessories-apple-airtag-case> (Year: 2022).\*

(Continued)

*Primary Examiner* — Catherine R Oliver-Garcia  
(74) *Attorney, Agent, or Firm* — Sterne, Kessler, Goldstein & Fox P.L.L.C.

(57) **CLAIM**

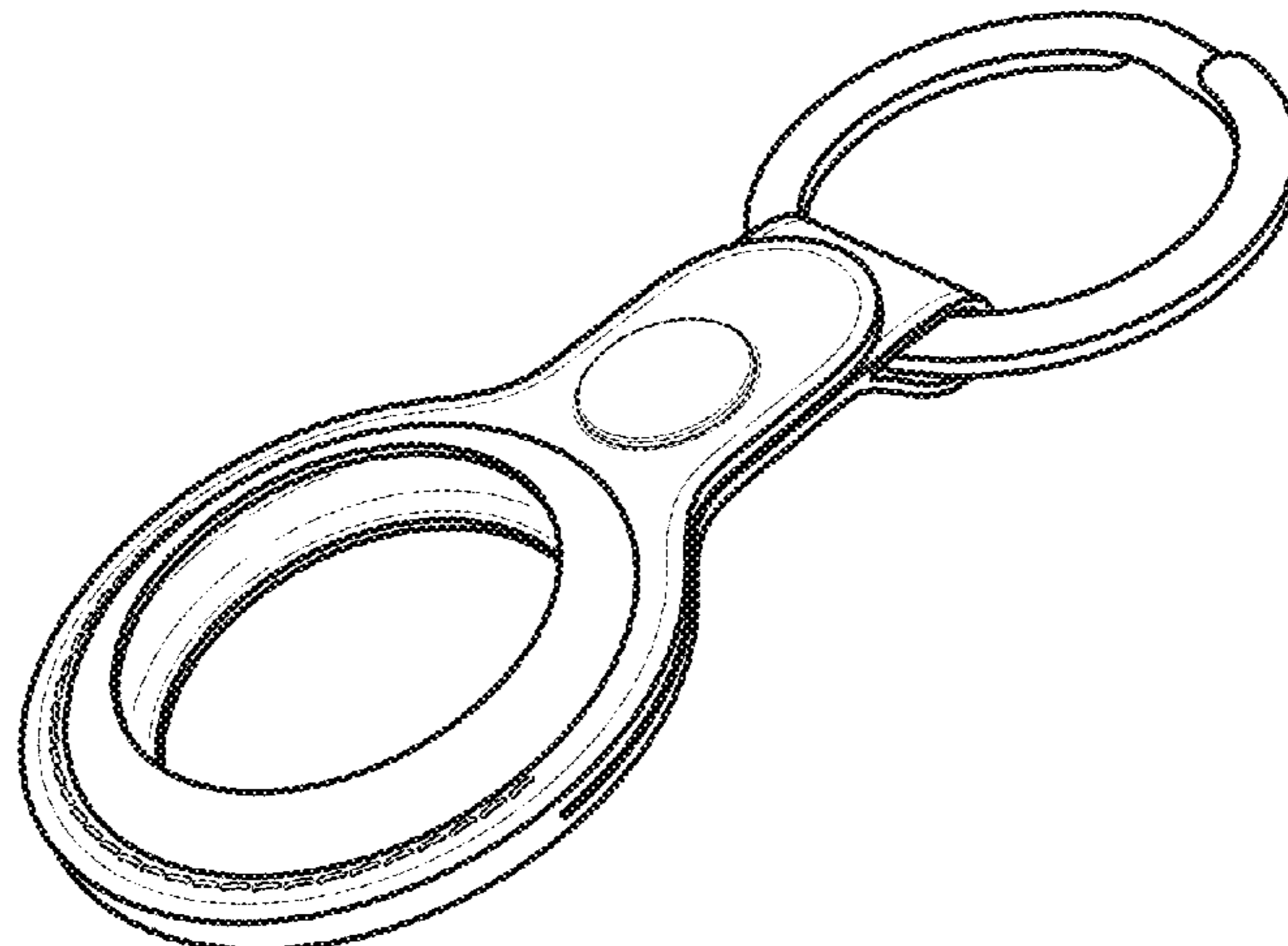
The ornamental design for an accessory for an electronic device, as shown and described.

**DESCRIPTION**

FIG. 1 is a bottom front perspective view of an accessory for an electronic device showing the claimed design; FIG. 2 is a bottom rear perspective view thereof; FIG. 3 is a front view thereof; FIG. 4 is a rear view thereof; FIG. 5 is a right side view thereof; FIG. 6 is a left side view thereof; FIG. 7 is a top view thereof; FIG. 8 is a bottom view thereof; and, FIG. 9 is a perspective view thereof showing an accessory for an electronic device in an environment in which it may be used.

The broken line showing of a portion of the accessory for an electronic device in FIG. 9 is included for illustrating environmental structure and forms no part of the claimed design.

**1 Claim, 4 Drawing Sheets**



(58) **Field of Classification Search**

USPC ..... D10/104.2, 106.1; D13/168;  
D8/334-336, 347; D21/610; D9/443,  
D9/449; D14/188-189, 251, 253, 328,  
D14/344, 358, 453; D26/37-38;  
D27/194-195  
CPC ..... A44B 15/00; A44B 15/005; A44B 17/00;  
A44B 17/004; B60R 25/24; B60R  
25/248; E05B 19/00; E05B 19/04; E05B  
19/0017; E05B 2047/0084

See application file for complete search history.

(56) **References Cited**

U.S. PATENT DOCUMENTS

D320,957 S \* 10/1991 Yuki ..... D11/221  
5,501,089 A \* 3/1996 Song ..... A44B 15/00  
70/459

6,248,451 B1 \* 6/2001 Smith ..... G09F 21/22  
428/542.2  
D653,967 S \* 2/2012 Blake ..... D10/31  
D677,189 S \* 3/2013 Kal ..... D3/215  
D707,957 S \* 7/2014 Oas ..... D3/215  
D725,809 S \* 3/2015 Ford ..... D26/37  
D756,657 S \* 5/2016 Fisher ..... D3/215  
10,080,707 B2 \* 9/2018 Dunn ..... A45F 5/02  
D922,760 S \* 6/2021 Jacob ..... D3/207

OTHER PUBLICATIONS

Hamilton product, Mono Magazine, dated Dec. 16, 1993 (Japanese Patent Office's Document HA05023481).

Markless Style, Trade Works online, available at least as early as May 31, 2021 (Japanese Patent Office's Document Document HJ28032550).

\* cited by examiner

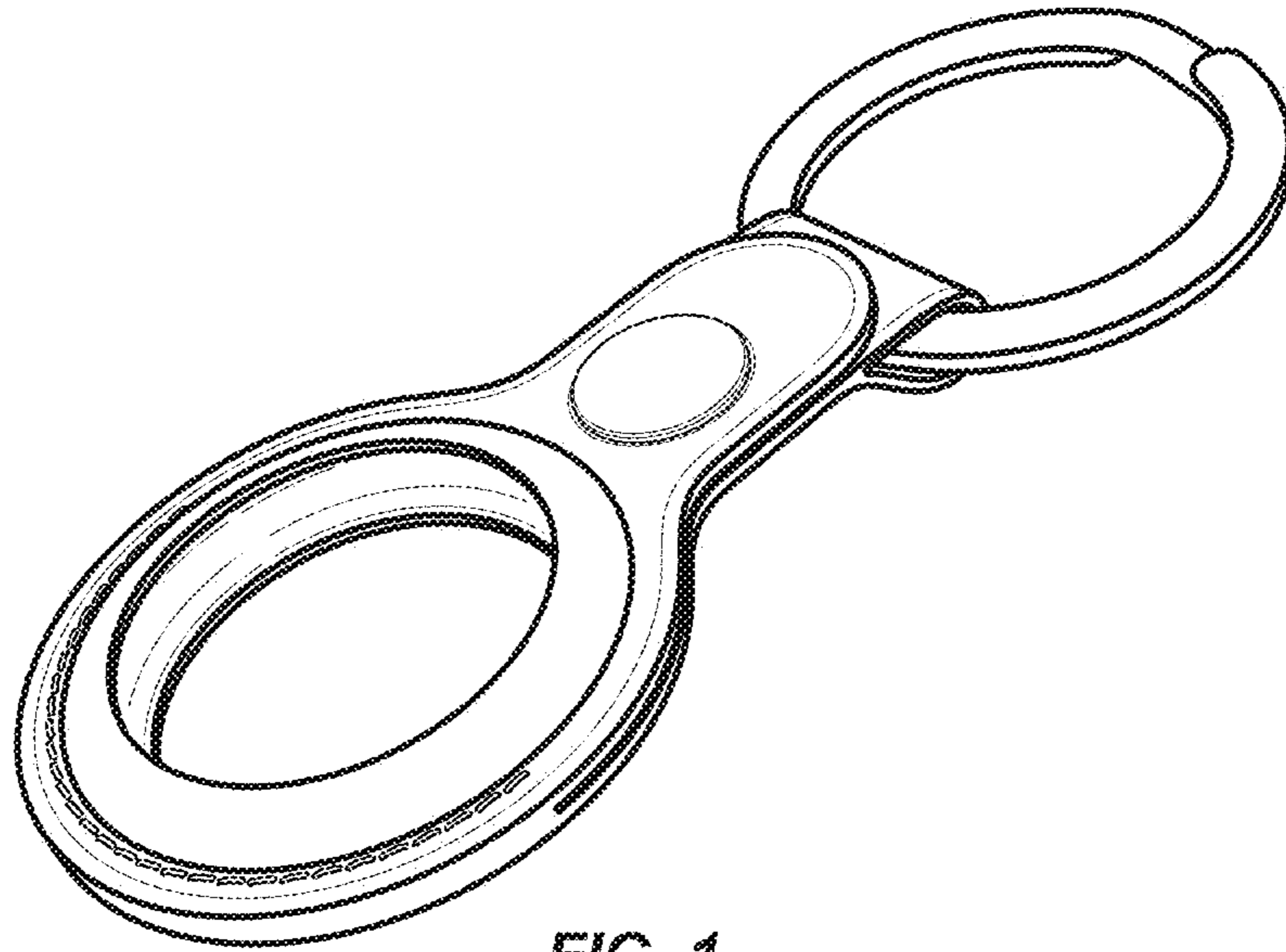
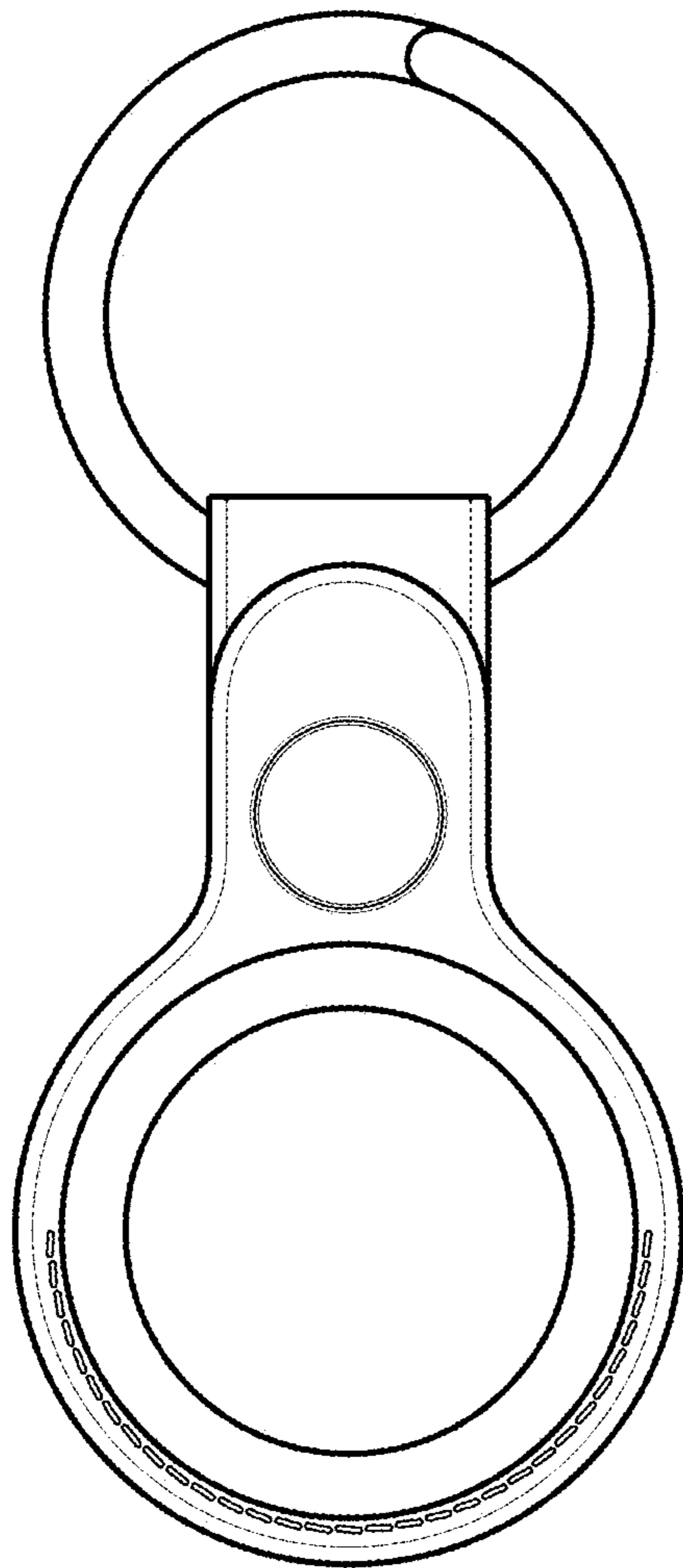


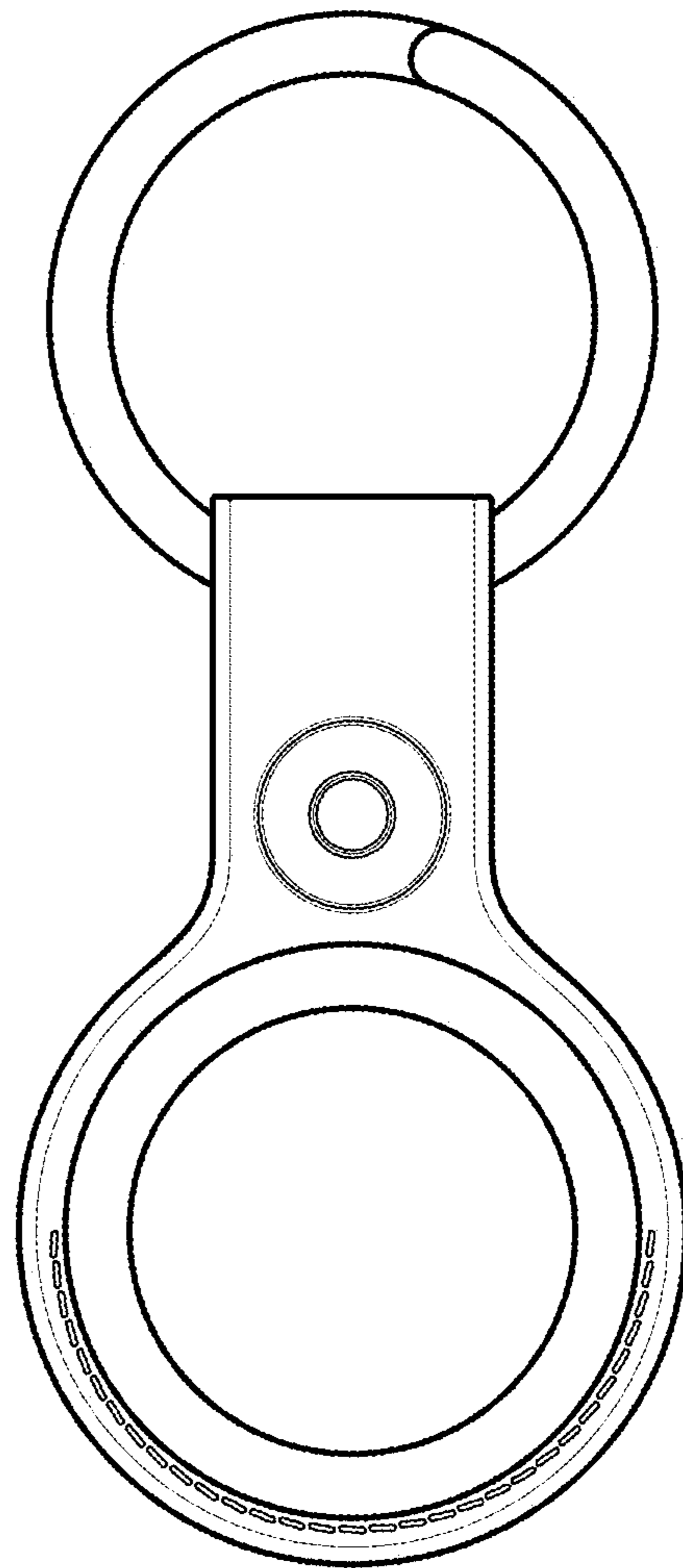
FIG. 1



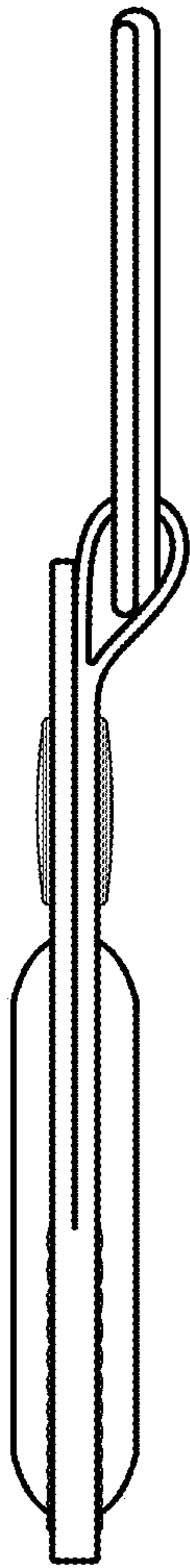
FIG. 2



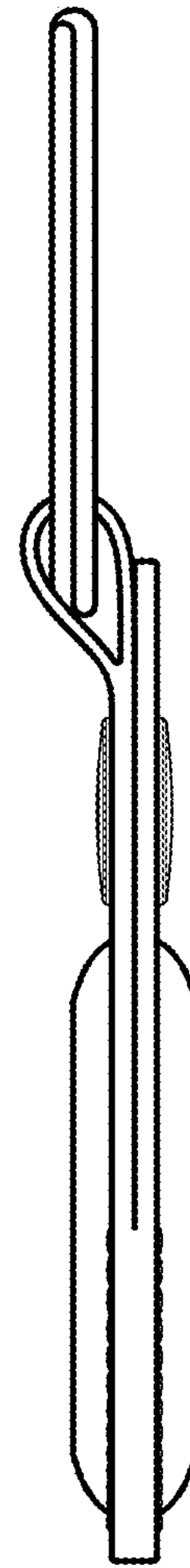
**FIG. 3**



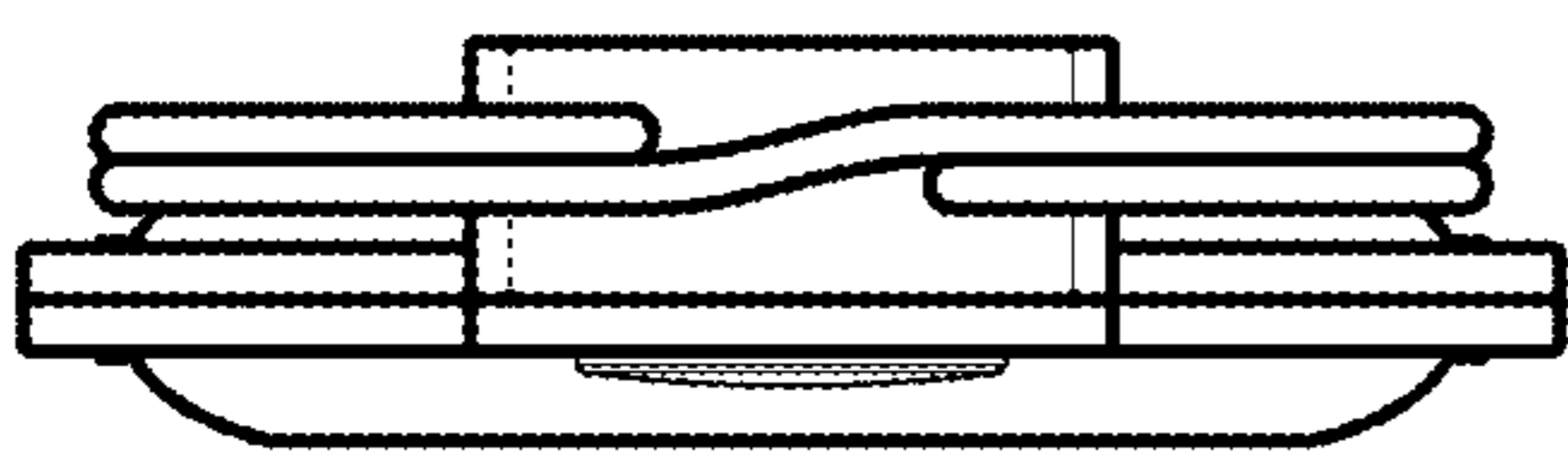
**FIG. 4**



**FIG. 5**



**FIG. 6**



**FIG. 7**



**FIG. 8**

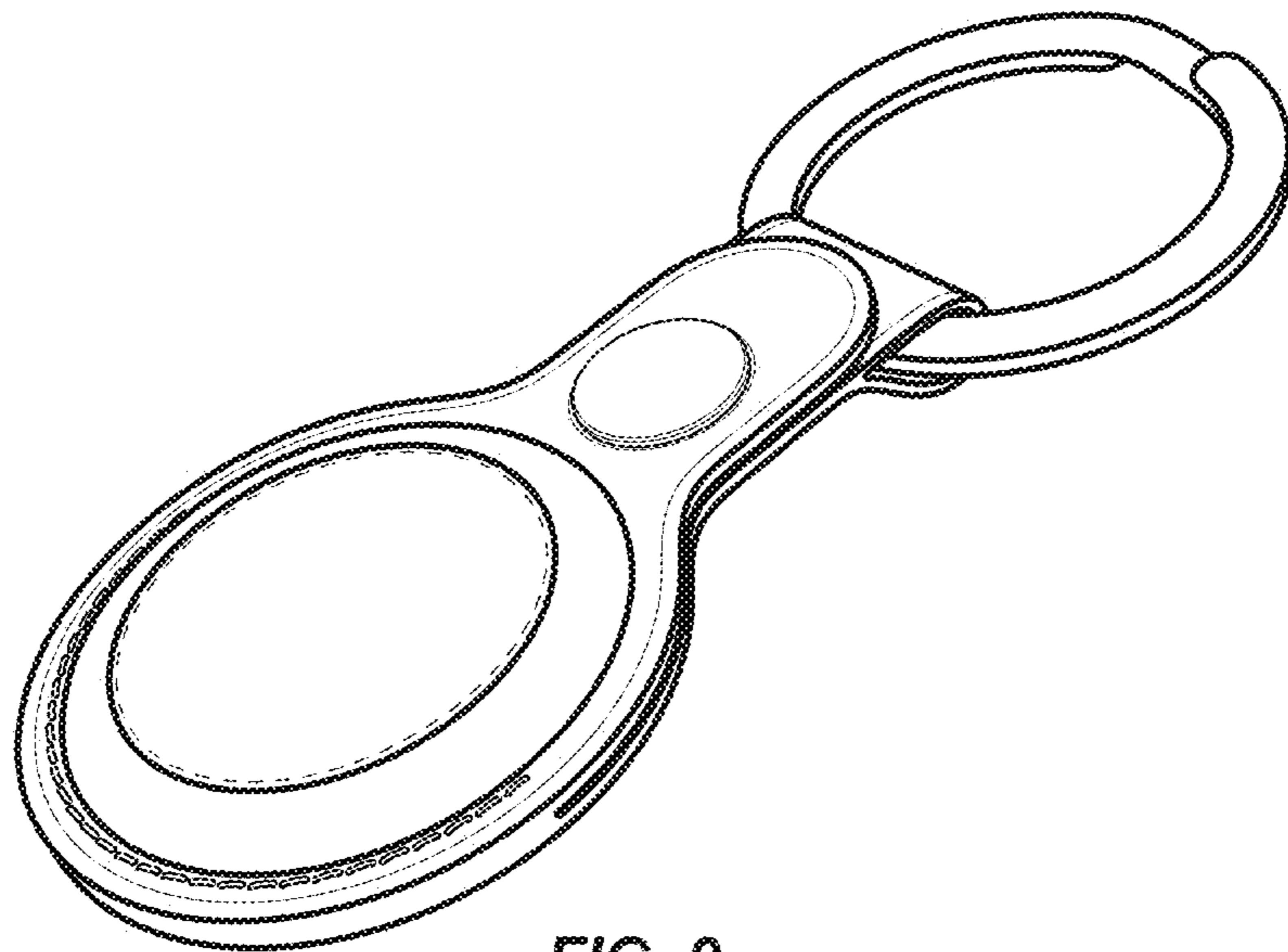


FIG. 9