



US00D950233S

(12) **United States Design Patent**
Falk et al.

(10) **Patent No.:** **US D950,233 S**

(45) **Date of Patent:** **** May 3, 2022**

- (54) **KNITTER**
- (71) Applicants: **Avner Falk**, Yehud (IL); **Yael Falk**, Yehud (IL)
- (72) Inventors: **Avner Falk**, Yehud (IL); **Yael Falk**, Yehud (IL)
- (**) Term: **15 Years**
- (21) Appl. No.: **29/702,023**
- (22) Filed: **Aug. 16, 2019**
- (51) **LOC (13) Cl.** **02-07**
- (52) **U.S. Cl.**
USPC **D3/26; D15/66**
- (58) **Field of Classification Search**
USPC D3/18, 20, 28; D15/66, 67, 68, 69, 70, D15/71, 72, 73, 74, 75, 76, 77, 78
CPC D05B 85/00; D05B 85/02; D03D 27/10; D03D 39/16
See application file for complete search history.

(56) **References Cited**

U.S. PATENT DOCUMENTS

- 1,318,604 A * 10/1919 Schneider D04B 39/00 66/4
- D182,269 S * 3/1958 Brown et al. D3/25

- 3,648,484 A * 3/1972 Gordon D04B 3/00 66/4
- 8,746,753 B2 * 6/2014 Crorey D04G 5/00 289/13
- D711,931 S * 8/2014 Daftari D15/66
- D737,341 S * 8/2015 Shirai D15/66
- 9,234,306 B1 * 1/2016 Chang D04B 3/00
- D751,124 S * 3/2016 Miller D15/66
- D773,174 S * 12/2016 Okuma D3/26
- D895,691 S * 9/2020 Rosen D15/66
- D923,063 S * 6/2021 Zhang D15/66
- 2016/0032500 A1 * 2/2016 Novak D04B 5/00 28/152

* cited by examiner

Primary Examiner — Mojtaba Tehrani

(74) *Attorney, Agent, or Firm* — Lee & Hayes, P.C.

(57) **CLAIM**

The ornamental design for a knitter, as shown and described.

DESCRIPTION

FIG. 1 is a right side view of a knitter, showing our new design;

FIG. 2 is a top view thereof;

FIG. 3 is a bottom view;

FIG. 4 is a top, front isometric view thereof;

FIG. 5 is a bottom, front isometric view thereof; and,

FIG. 6 is a top, rear isometric view thereof.

1 Claim, 6 Drawing Sheets

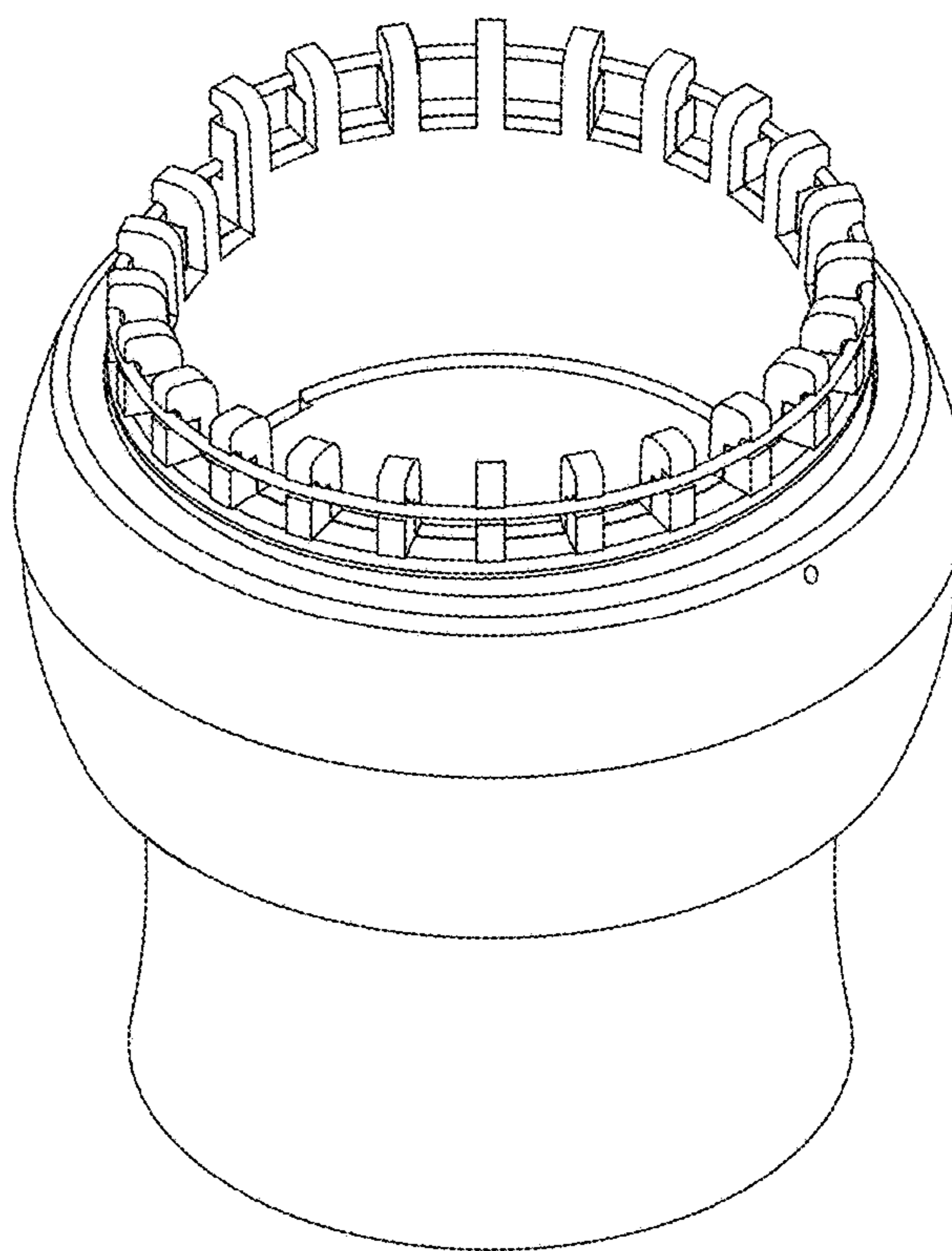
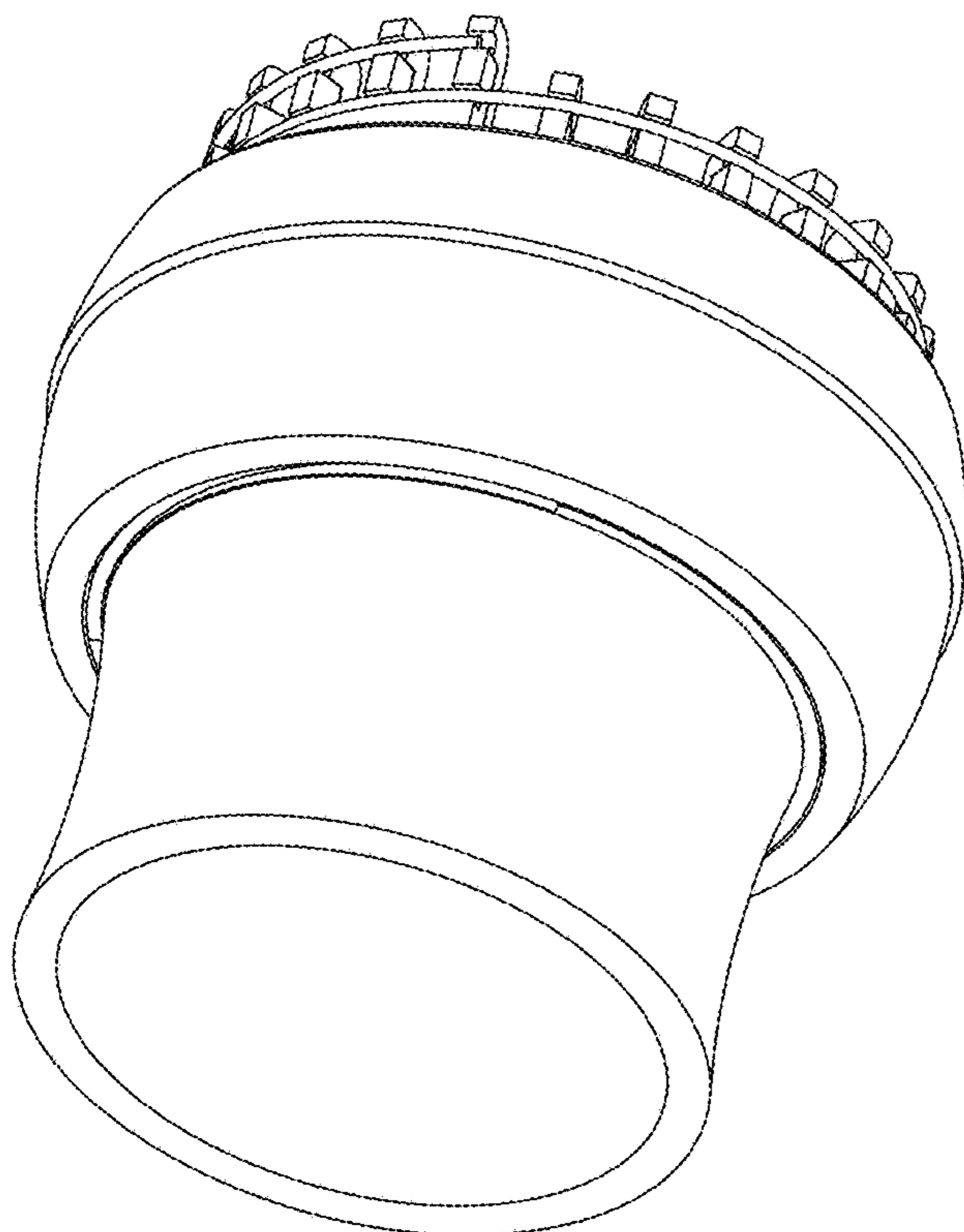


FIG. 1

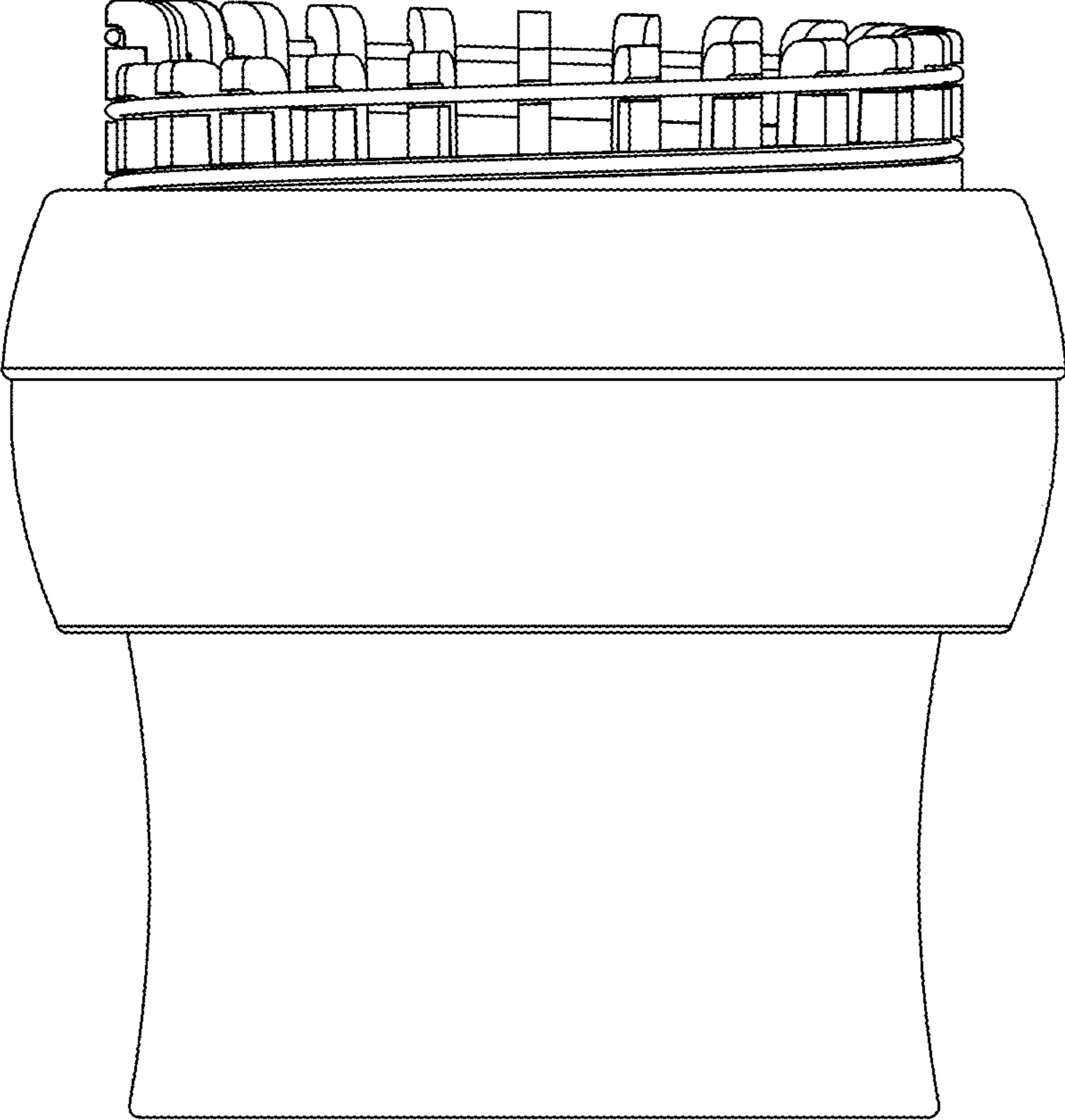


FIG. 2

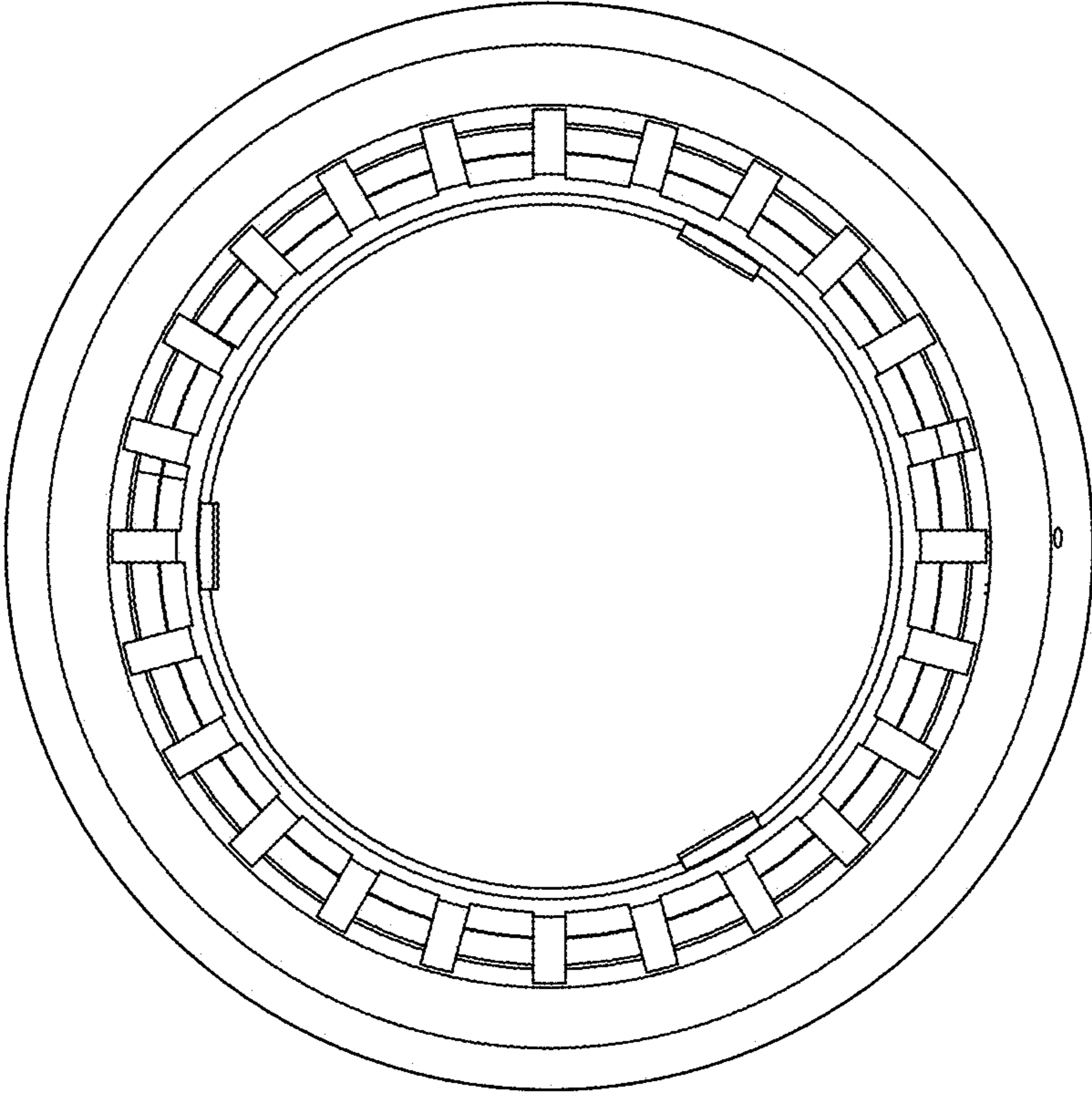


FIG. 3

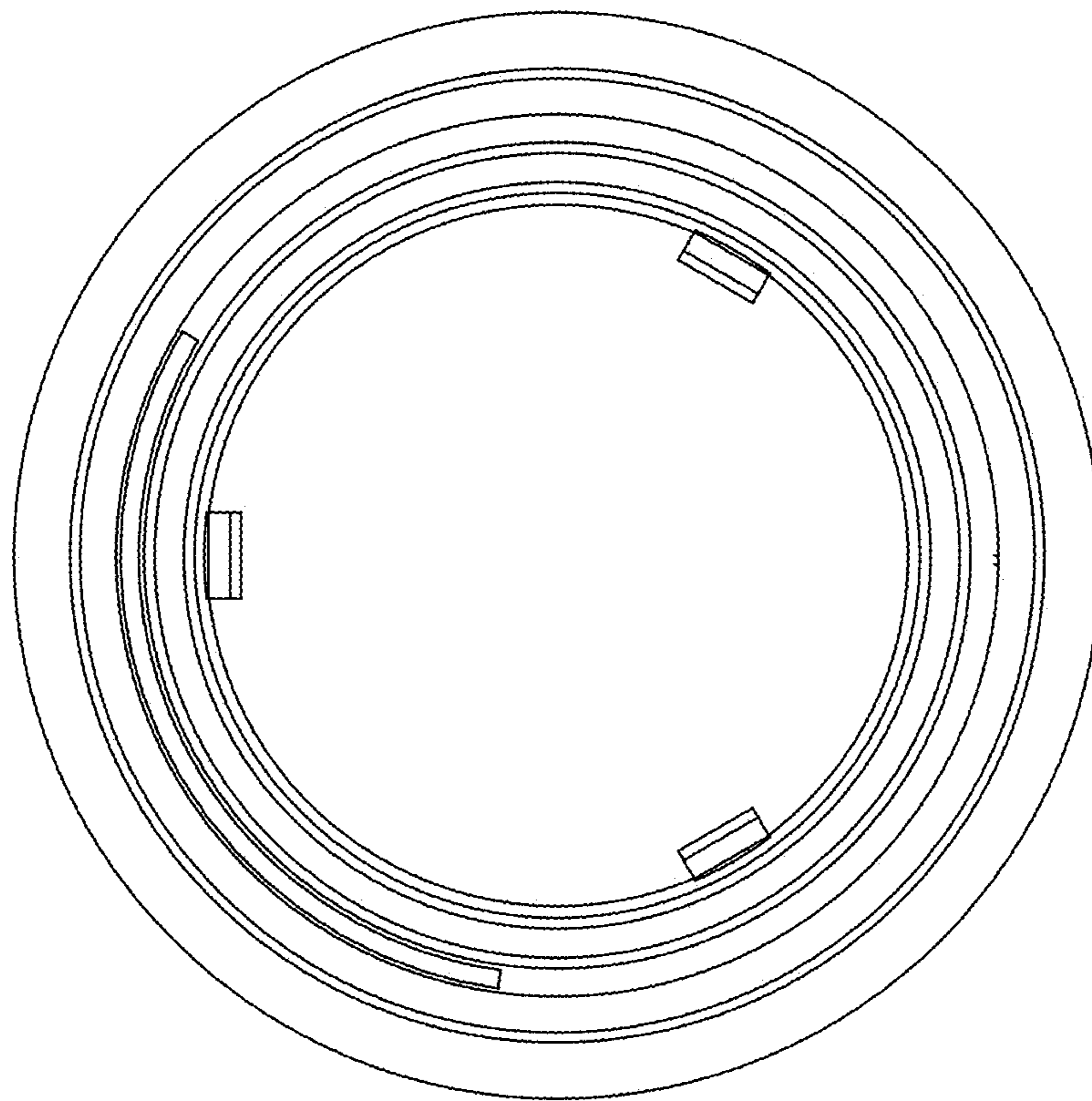


FIG. 4

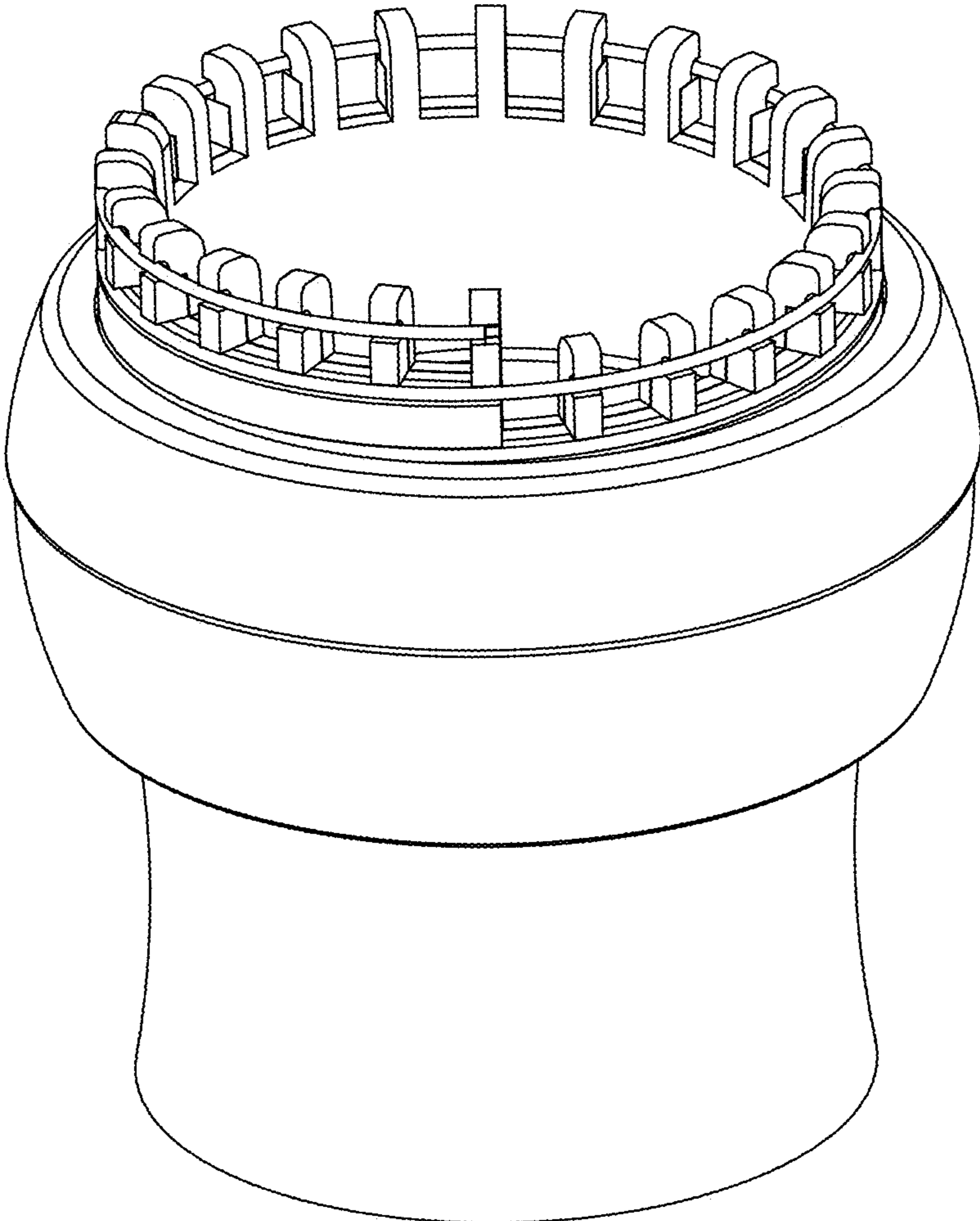


FIG. 5

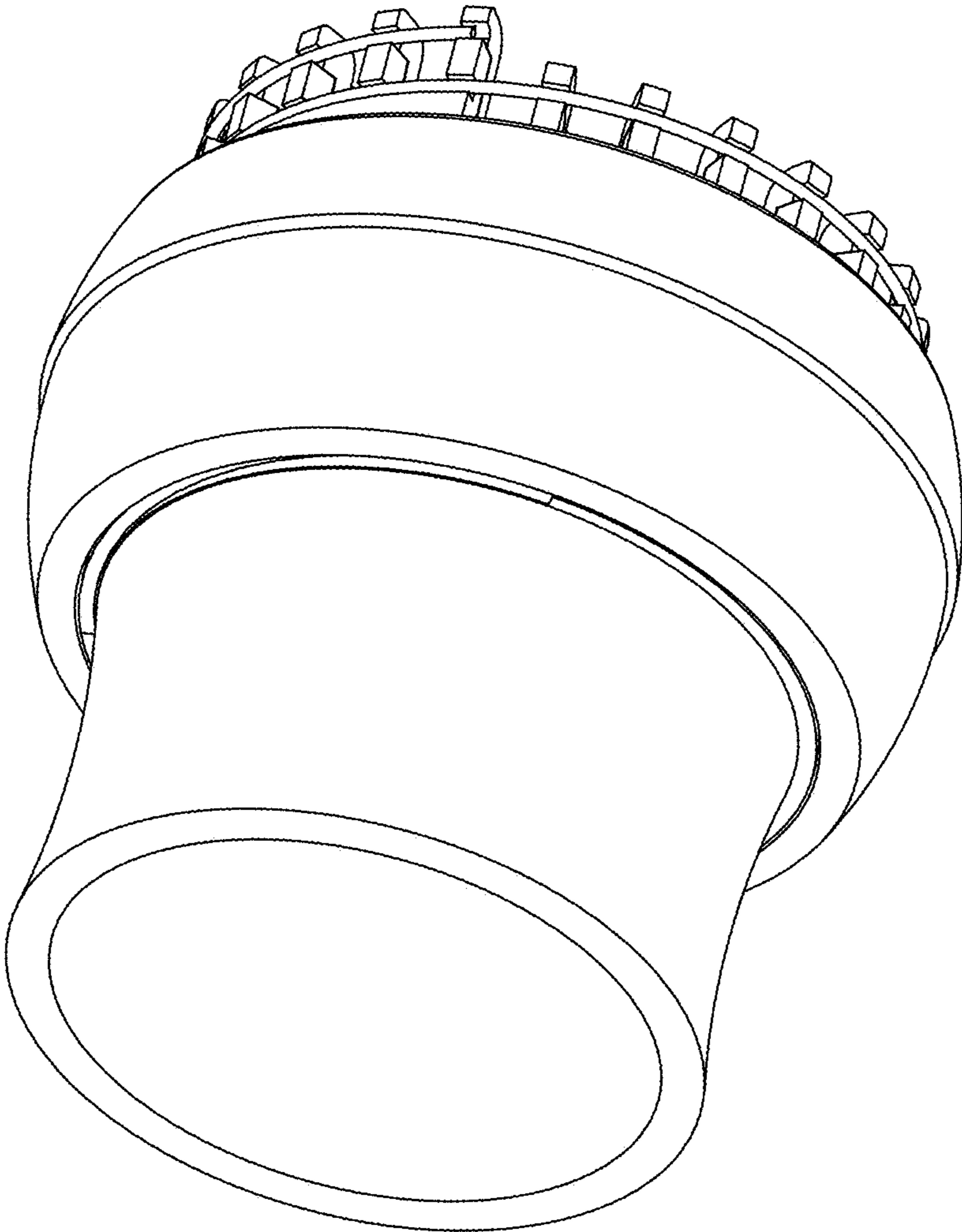


FIG. 6

