



US00D950231S

(12) **United States Design Patent**
Liang

(10) **Patent No.:** **US D950,231 S**

(45) **Date of Patent:** **** May 3, 2022**

(54) **HEATED SOCK**

(71) Applicant: **SHENZHEN KANGCHENG CENTURY TECHNOLOGY CO., LTD**, Shenzhen (CN)

(72) Inventor: **Huifang Liang**, Shenzhen (CN)

(73) Assignee: **SHENZHEN KANGCHENG CENTURY TECHNOLOGY CO., LTD**, Shenzhen (CN)

(**) Term: **15 Years**

(21) Appl. No.: **29/777,040**

(22) Filed: **Apr. 2, 2021**

(51) **LOC (13) Cl.** **02-04**

(52) **U.S. Cl.**
USPC **D2/980**

(58) **Field of Classification Search**
USPC D2/902, 907, 909, 919–921, 957, 969, D2/980, 984–989, 994
CPC A61F 5/0111; A61F 13/066; A61F 5/0127; A61F 13/08; A61F 13/101; A61F 5/14; A61F 13/065; A41B 11/02; A41B 11/003; A41B 2400/20; A41B 2400/60; D04B 1/26

See application file for complete search history.

(56) **References Cited**

U.S. PATENT DOCUMENTS

3,396,264 A * 8/1968 Murphy A43B 3/35 219/211
D351,497 S * 10/1994 Yates D2/983

D710,084 S *	8/2014	Roberts	D2/988
D726,404 S *	4/2015	Hoane	D2/994
D849,390 S *	5/2019	Abdul-Malik	D2/980
D872,457 S *	1/2020	Durisch	D2/994
D878,740 S *	3/2020	Zeng	D2/980
D889,673 S *	7/2020	Salloum	D24/192
D899,760 S	10/2020	Kuang		
D904,003 S *	12/2020	Kuang	D2/980
D904,004 S	12/2020	Kuang		
2004/0254624 A1 *	12/2004	Johnson	A61N 1/0492 607/149
2011/0314591 A1 *	12/2011	Mitsuno	A61F 13/08 2/239
2014/0289924 A1 *	10/2014	Cleveland	A61F 13/08 2/2.5

* cited by examiner

Primary Examiner — Jennifer L Watkins

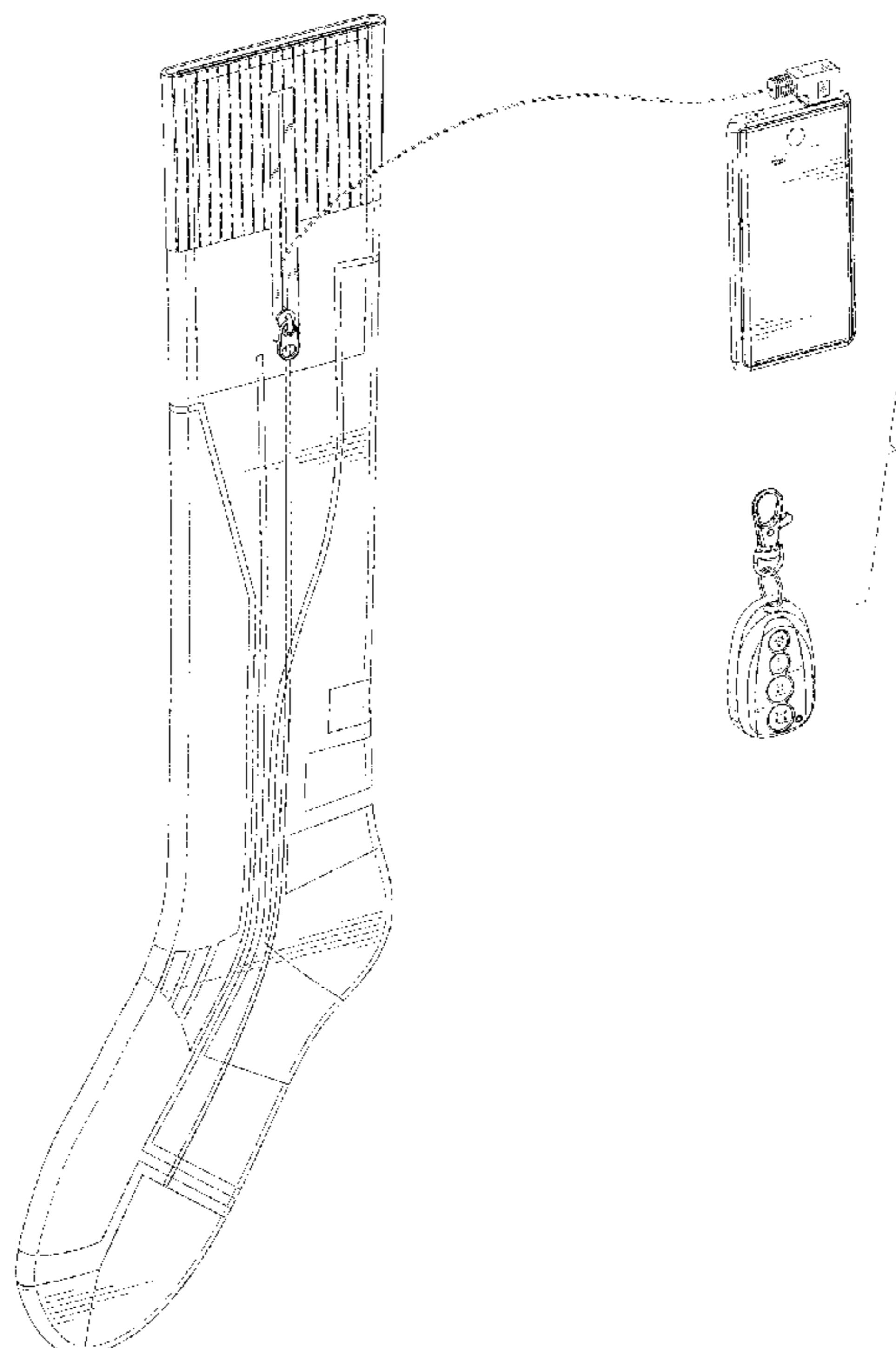
(57) **CLAIM**

The ornamental design for a heated sock, as shown and described.

DESCRIPTION

FIG. 1 is a perspective view of a heated sock showing my new design;
FIG. 2 is another perspective view thereof;
FIG. 3 is a front elevational view thereof;
FIG. 4 is a rear elevational view thereof;
FIG. 5 is a left side elevational view thereof;
FIG. 6 is a right side elevational view thereof;
FIG. 7 is a top plan view thereof; and,
FIG. 8 is a bottom plan view thereof.
The broken lines in the drawings depict portions of the heated sock that form no part of the claimed design.

1 Claim, 8 Drawing Sheets



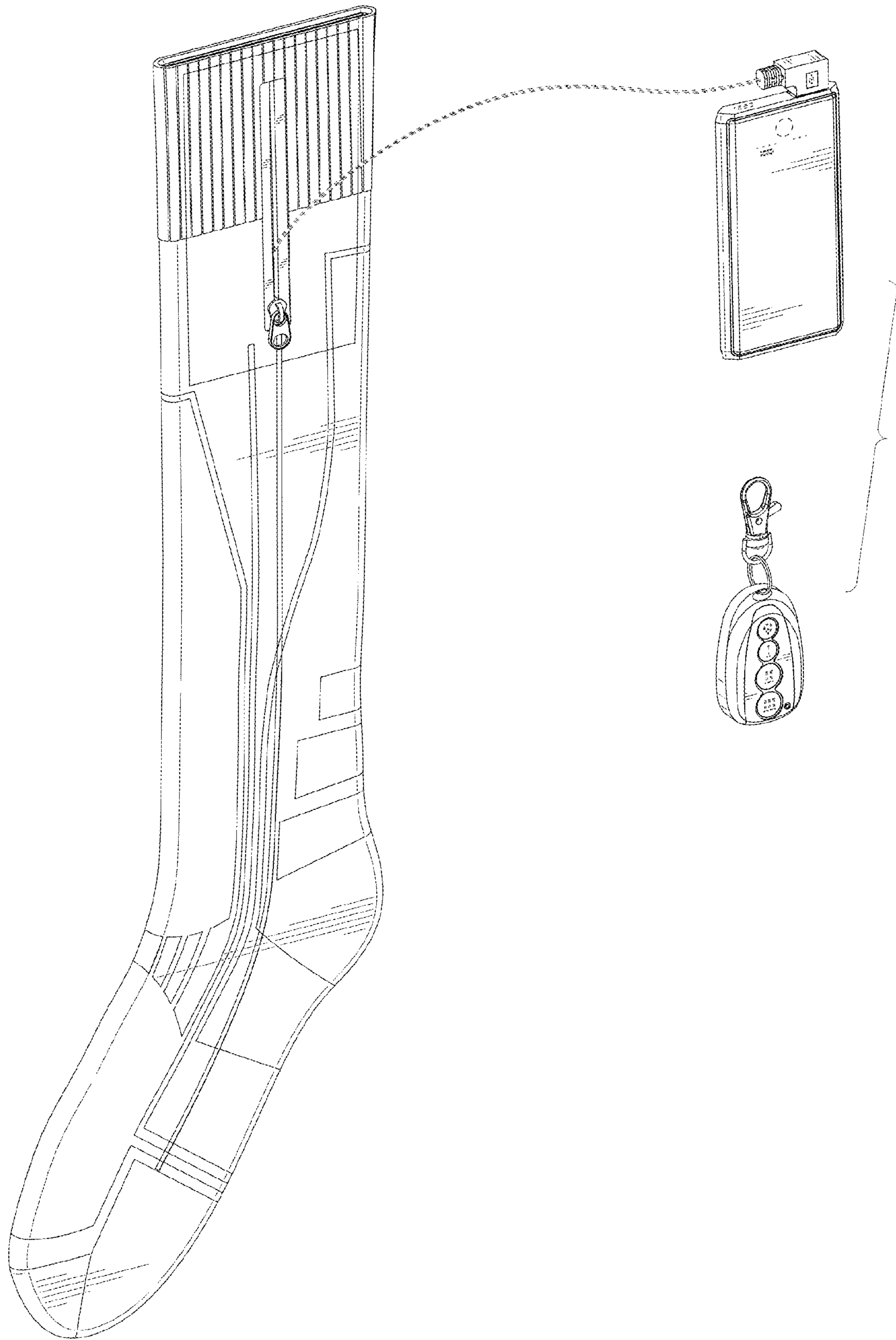


FIG. 1

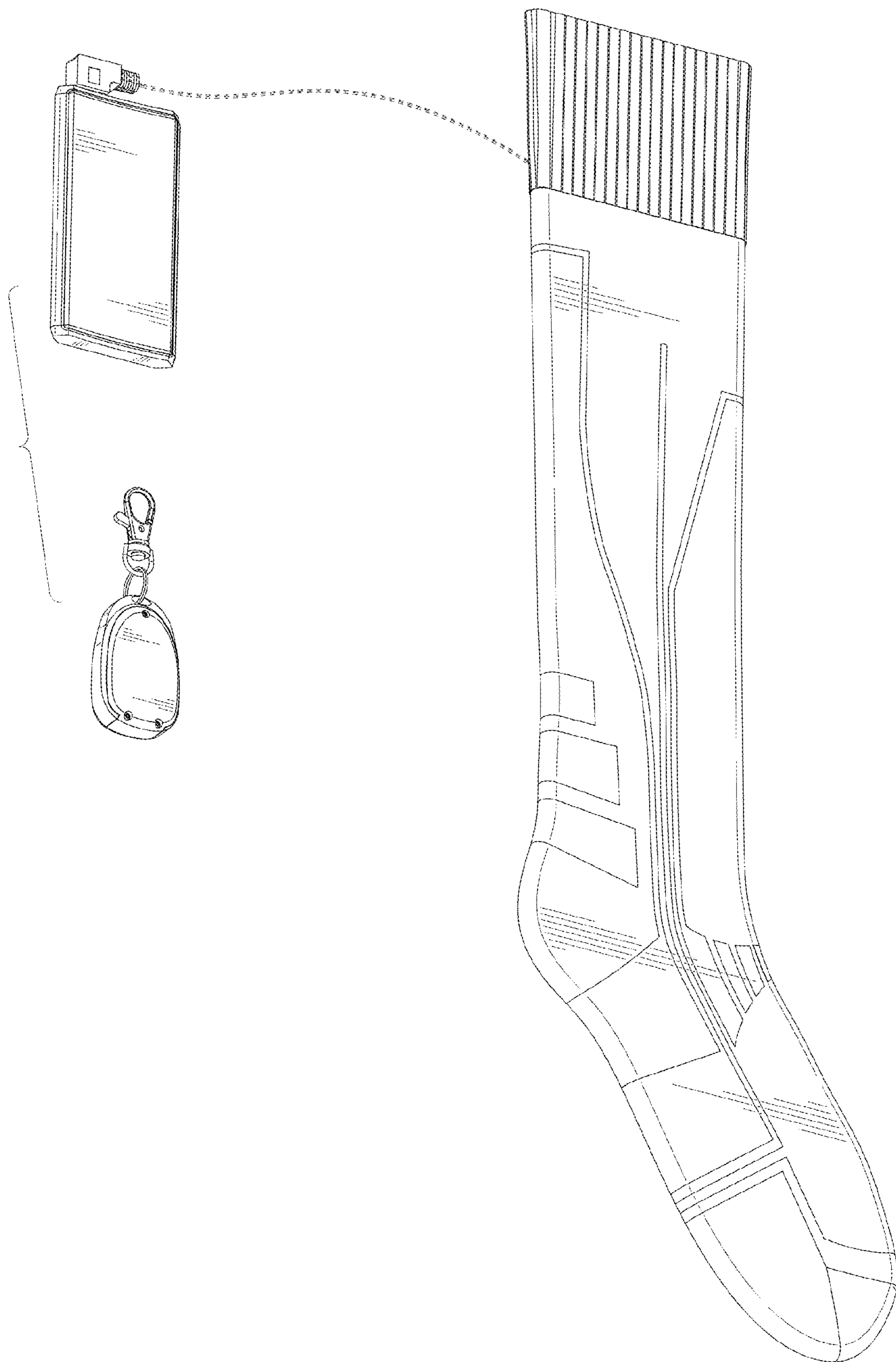


FIG. 2

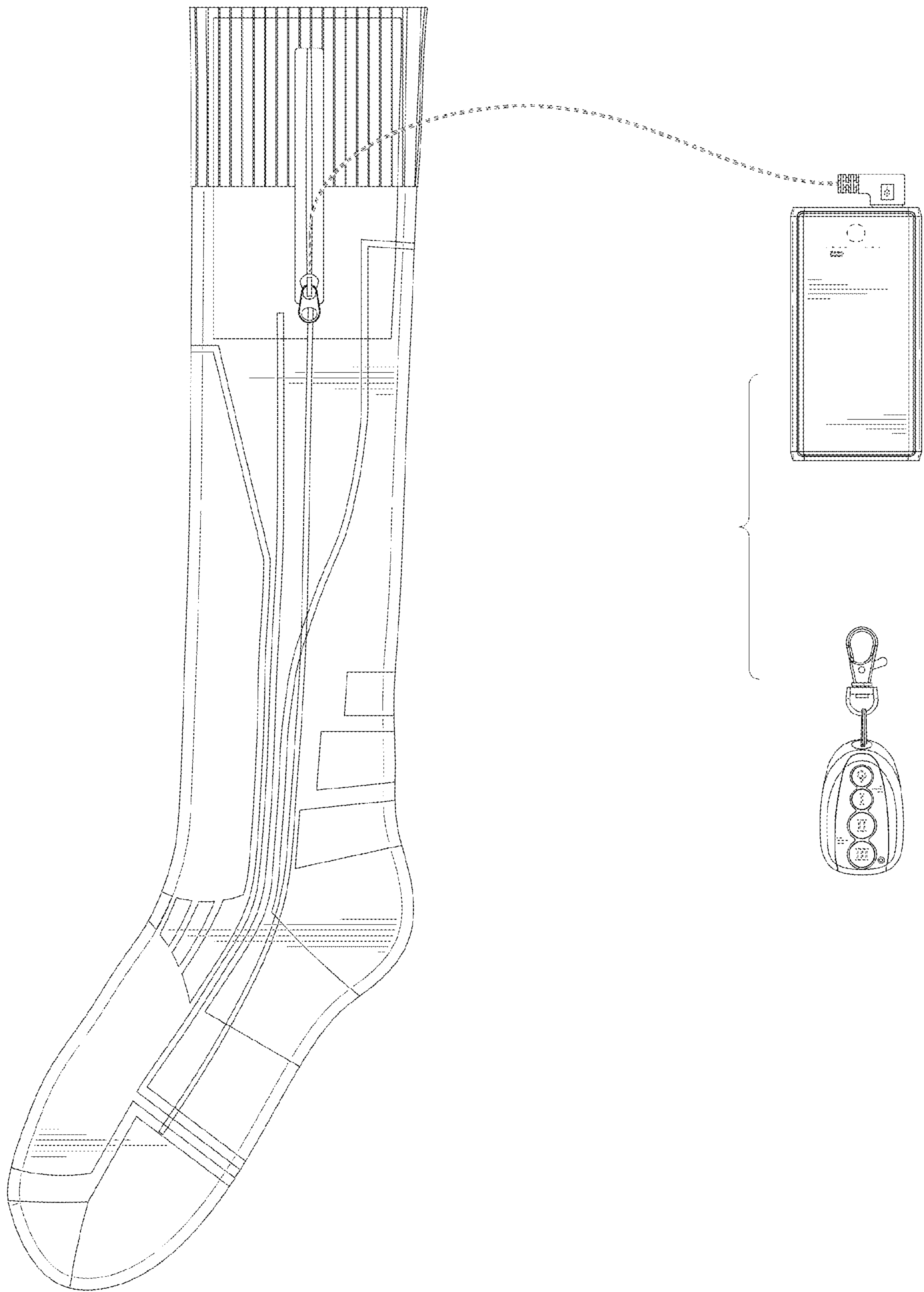


FIG. 3

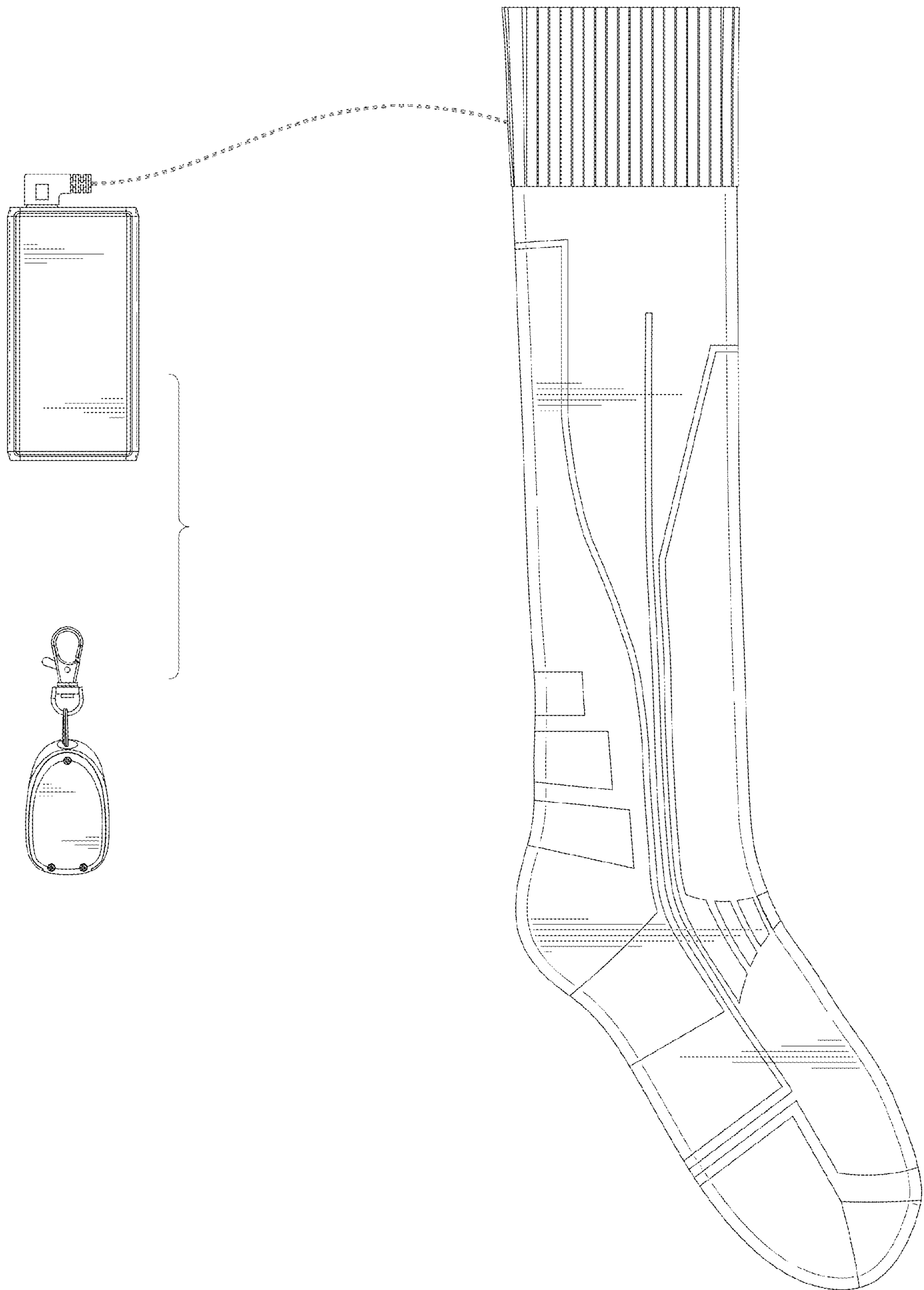


FIG. 4

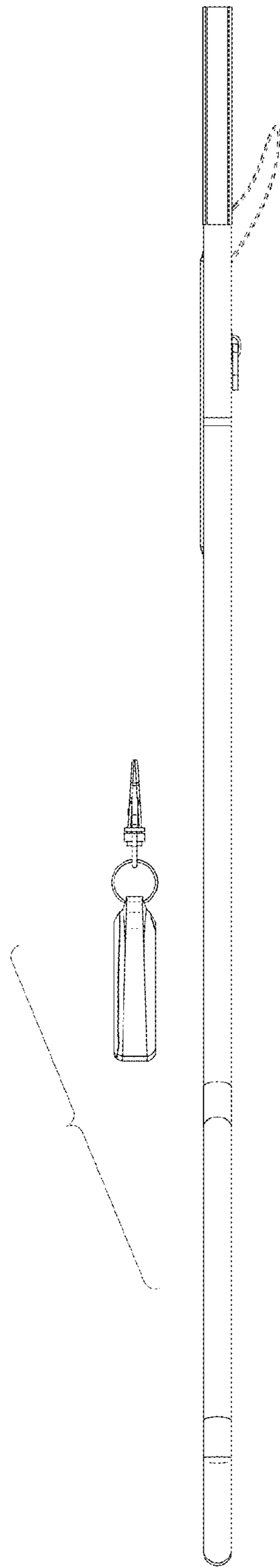


FIG. 5

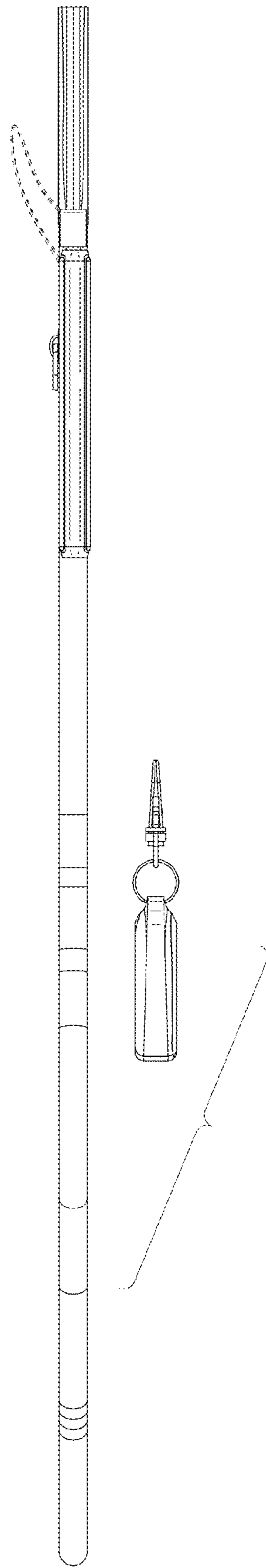


FIG. 6

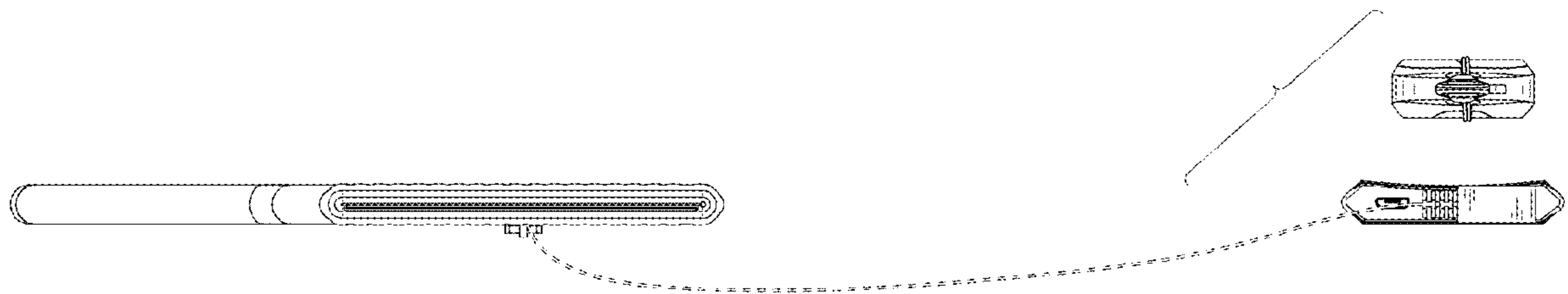


FIG. 7

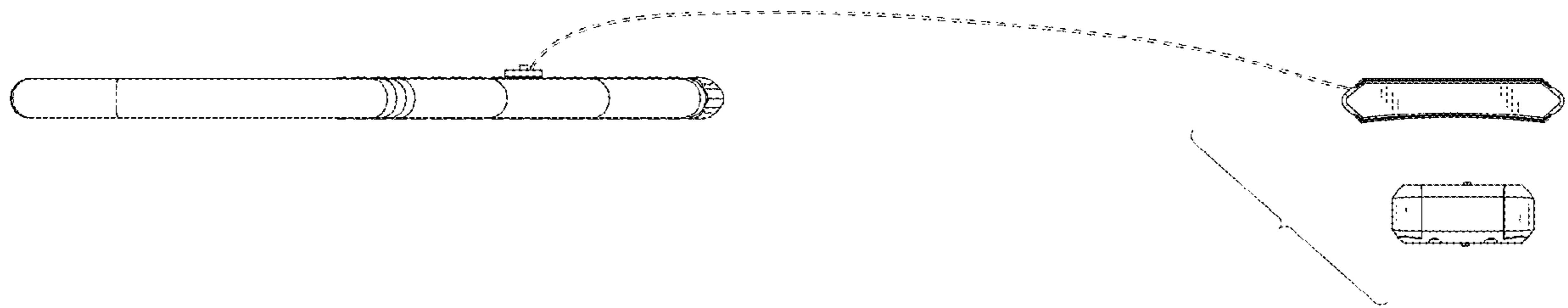


FIG. 8