



US00D950229S

(12) **United States Design Patent**
Frank

(10) **Patent No.:** **US D950,229 S**
(45) **Date of Patent:** **** May 3, 2022**

(54) **DECORATIVE SHOE ACCESSORY**

DESCRIPTION

- (71) Applicant: **Susan J. Frank**, La Jolla, CA (US)
- (72) Inventor: **Susan J. Frank**, La Jolla, CA (US)
- (**) Term: **15 Years**
- (21) Appl. No.: **29/723,036**
- (22) Filed: **Feb. 4, 2020**
- (51) **LOC (13) Cl.** **02-04**
- (52) **U.S. Cl.**
USPC **D2/976**
- (58) **Field of Classification Search**
USPC D2/624, 626, 894, 929-938, 943, 946,
D2/976, 977, 978; D8/382, 383, 394,
D8/396
CPC A43C 11/00; A43C 11/12; A43C 11/20;
A43C 11/24; A43C 1/00; A43C 1/04;
A43B 23/20; A43B 23/24; A43B 23/28
See application file for complete search history.

(56) **References Cited**

U.S. PATENT DOCUMENTS

- 1,701,595 A * 2/1929 Taylor A45C 1/04
206/39
- 4,328,978 A * 5/1982 McLaughlin G09F 3/005
283/75
- D305,611 S * 1/1990 Herzog D8/395
- 4,897,947 A * 2/1990 Kass-Pious A43B 3/0031
206/232
- 5,110,672 A * 5/1992 Zehle D21F 7/083
139/383 AA
- 5,219,505 A * 6/1993 Kaiser B29D 29/06
156/140

(Continued)

Primary Examiner — Elizabeth J Oswecki
Assistant Examiner — Yelizaveta Y Masalimova
 (74) *Attorney, Agent, or Firm* — Knobbe, Martens, Olson & Bear LLP

(57) **CLAIM**

The ornamental design for a decorative shoe accessory, as shown and described.

FIG. 1 is a top perspective view of a decorative shoe accessory, showing my new design, shown in a used condition with environment illustrating a heart and a shoe shown in broken lines;

FIG. 2 is a top perspective view of the decorative shoe accessory of FIG. 1 shown in a used condition with environment illustrating raised decorative circular buttons and a shoe shown in broken lines;

FIG. 3 is a top perspective view of the decorative shoe accessory of FIG. 1 shown in a used condition with environment illustrating a decorative pattern and a shoe shown in broken lines;

FIG. 4 is a top perspective view of the decorative shoe accessory of FIG. 1 shown in a used condition with environment illustrating a shoe shown in broken lines;

FIG. 5 is a front view of the decorative shoe accessory of FIG. 4;

FIG. 6 is a back view of the decorative shoe accessory of FIG. 4;

FIG. 7 is a right side view of the decorative shoe accessory of FIG. 4;

FIG. 8 is a left side view of the decorative shoe accessory of FIG. 4;

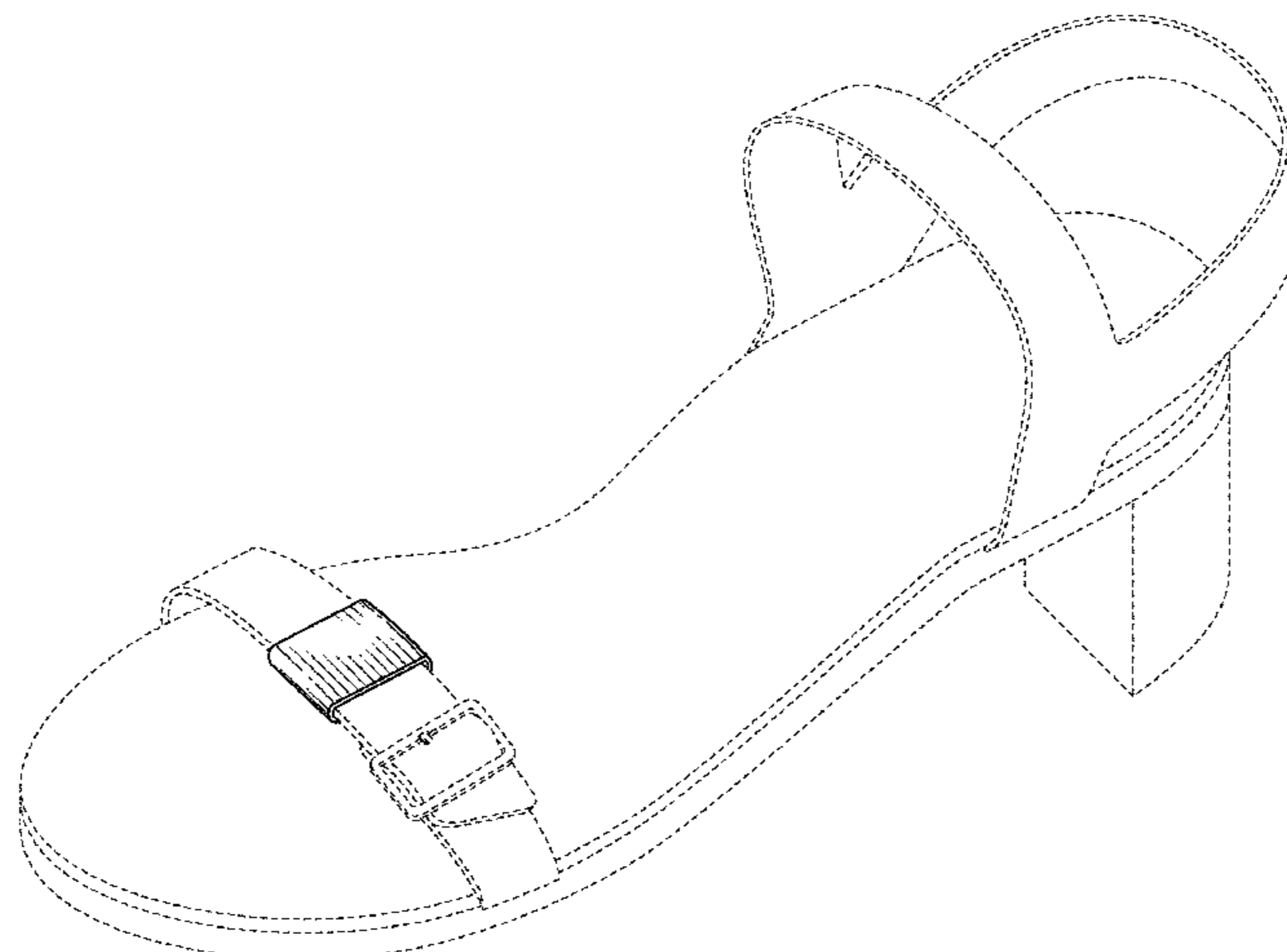
FIG. 9 is a top view of the decorative shoe accessory of FIG. 4;

FIG. 10 is a bottom view of the decorative shoe accessory of FIG. 4; and,

FIG. 11 is a top perspective view of the decorative shoe accessory of FIG. 4 shown with the environment removed for ease of illustration.

The broken lines in FIGS. 1-10 represent environmental structure that form no part of the claimed design. The broken lines on the top of the accessory in FIG. 3 form no part of the claimed design.

1 Claim, 9 Drawing Sheets



(56)

References Cited

U.S. PATENT DOCUMENTS

D356,599 S *	3/1995	Ashner	D20/27	D665,987 S *	8/2012	El	D2/976
5,568,006 A *	10/1996	Luff	H03H 9/1021	D737,564 S *	9/2015	Hamilton	D2/976
				310/340	D837,506 S *	1/2019	Reilly	D2/976
D397,843 S *	9/1998	LeRoy	D2/946	D891,076 S *	7/2020	Reilly	D2/976
6,158,096 A *	12/2000	Bar	A43C 11/20	D892,607 S *	8/2020	Boscarello	D8/394
				24/114.9	D895,261 S *	9/2020	Cureton	D2/976
6,309,717 B1 *	10/2001	Qiu	B32B 29/00	D897,662 S *	10/2020	Nichols	D2/978
				138/141	2006/0010721 A1 *	1/2006	Valko	A43B 23/24
D476,265 S *	6/2003	Lee	D2/894					36/136
D477,776 S *	7/2003	Pontaoe	D8/396	2008/0086917 A1 *	4/2008	Carrillo	A43B 3/0078
D579,194 S *	10/2008	Caylor	D2/946					36/136
D601,792 S *	10/2009	Kennedy	D2/976	2011/0047843 A1 *	3/2011	Russo	A43B 23/24
D610,441 S *	2/2010	Jones	D8/394					40/636
D613,938 S *	4/2010	Alexander	D2/976	2013/0008058 A1 *	1/2013	Jasmine	A43B 23/24
D627,146 S *	11/2010	Kantor	D2/976					36/136
D630,425 S *	1/2011	Olaverri	D2/976	2013/0273304 A1 *	10/2013	Blue	A43B 1/0081
D664,348 S *	7/2012	Armstrong	D2/978					428/99
					2017/0273444 A1 *	9/2017	Greene	A43B 23/24
					2017/0325527 A1 *	11/2017	Lewis	A43B 23/24

* cited by examiner

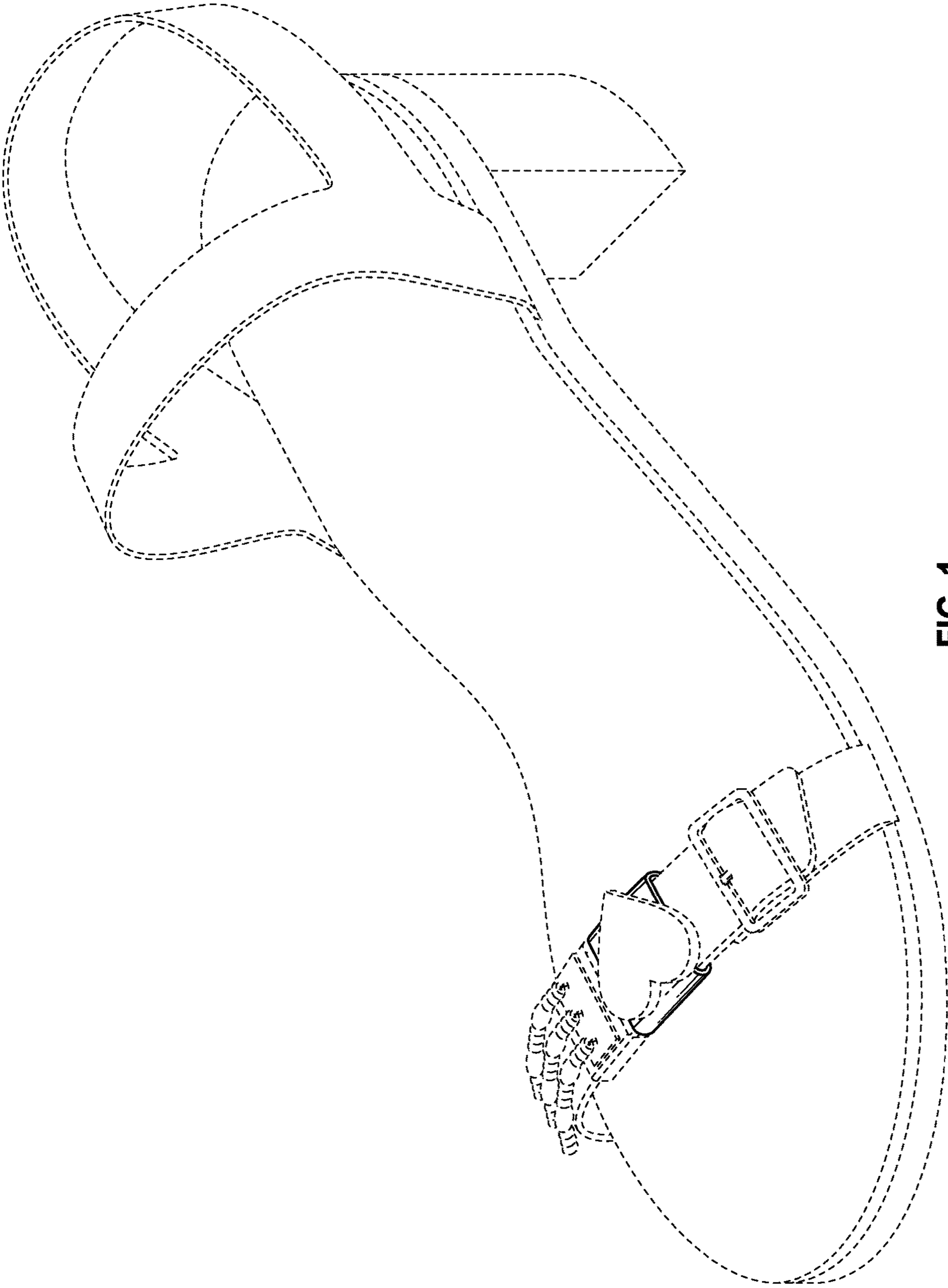


FIG. 1

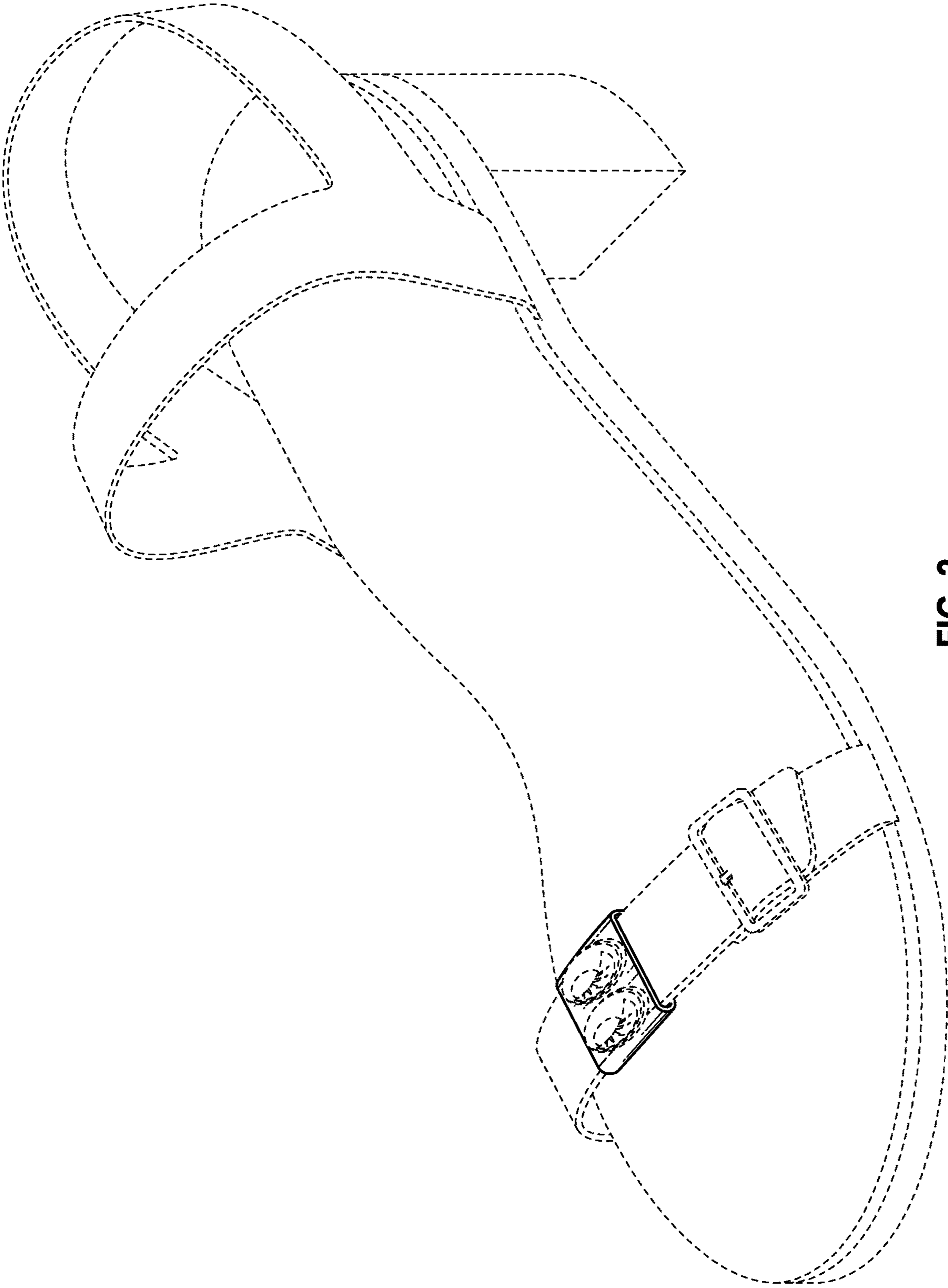


FIG. 2

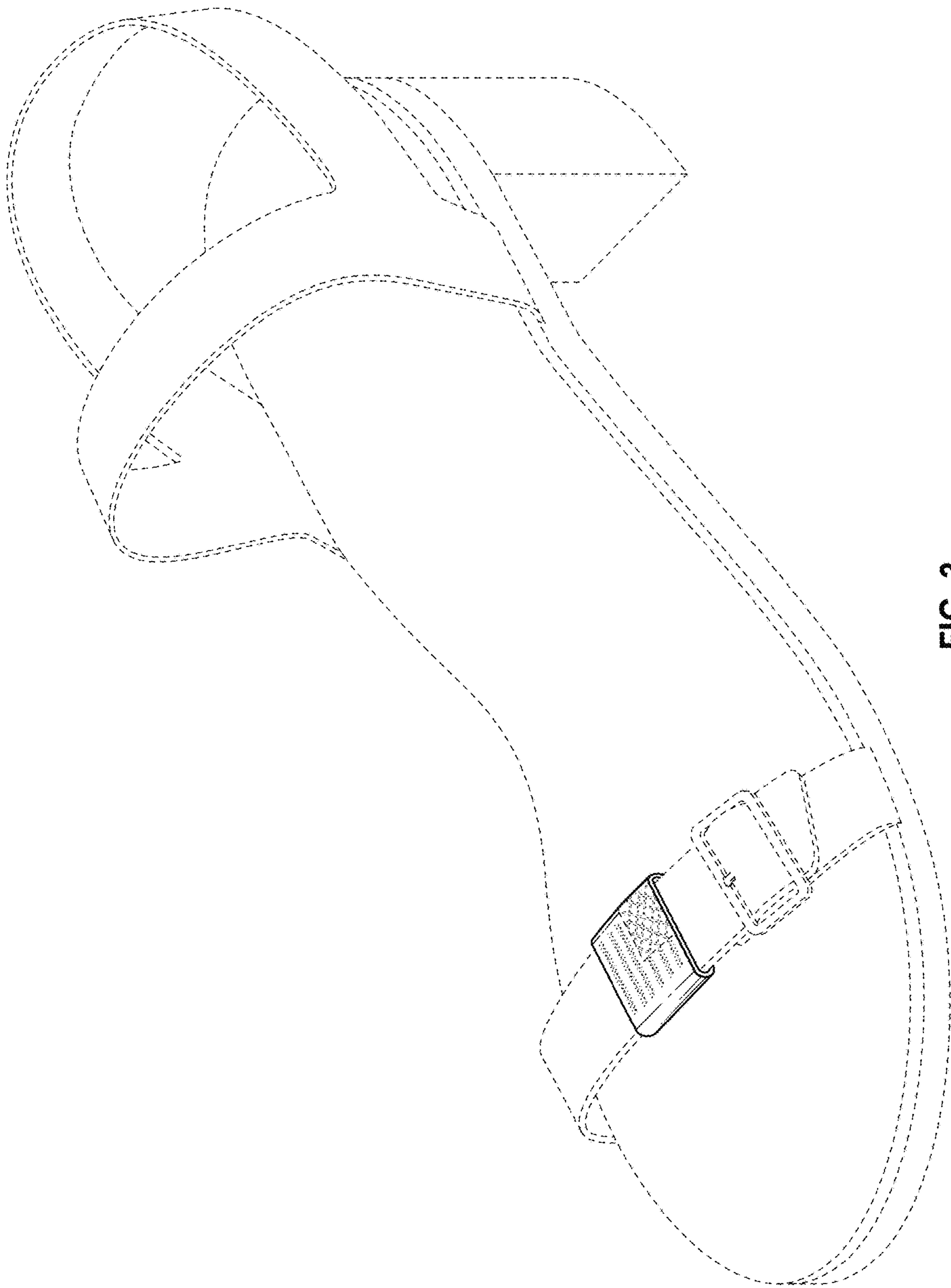


FIG. 3

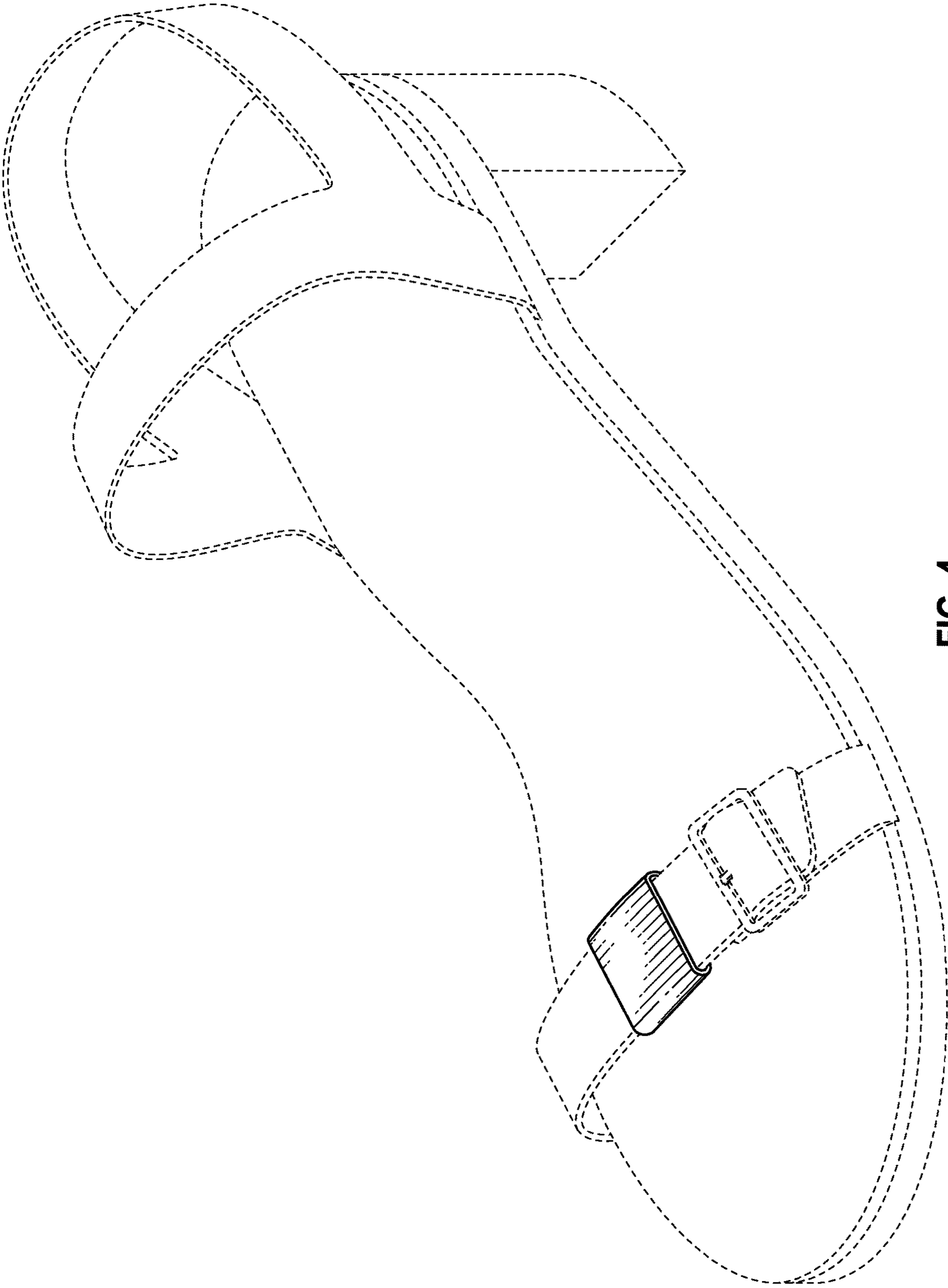


FIG. 4

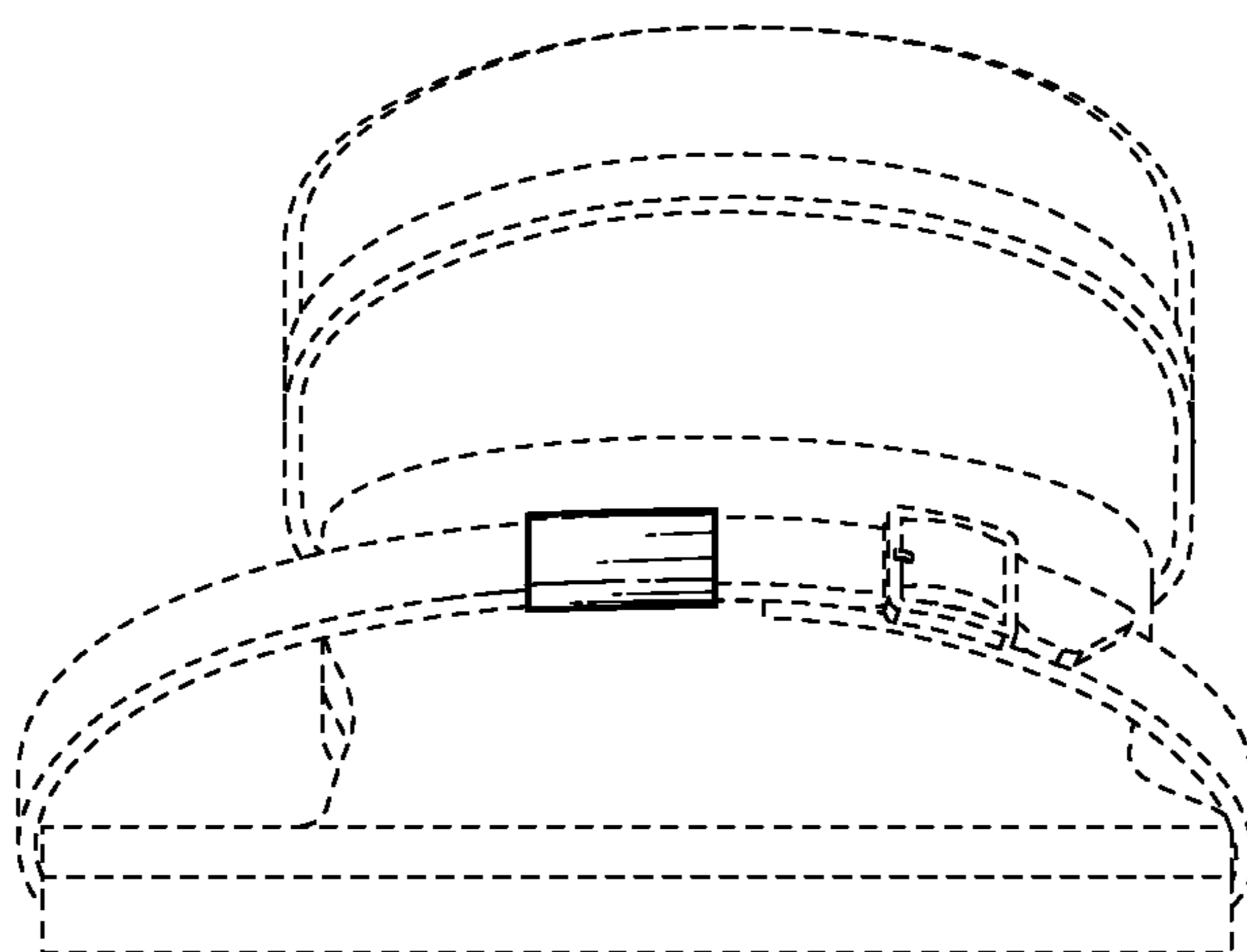


FIG. 5

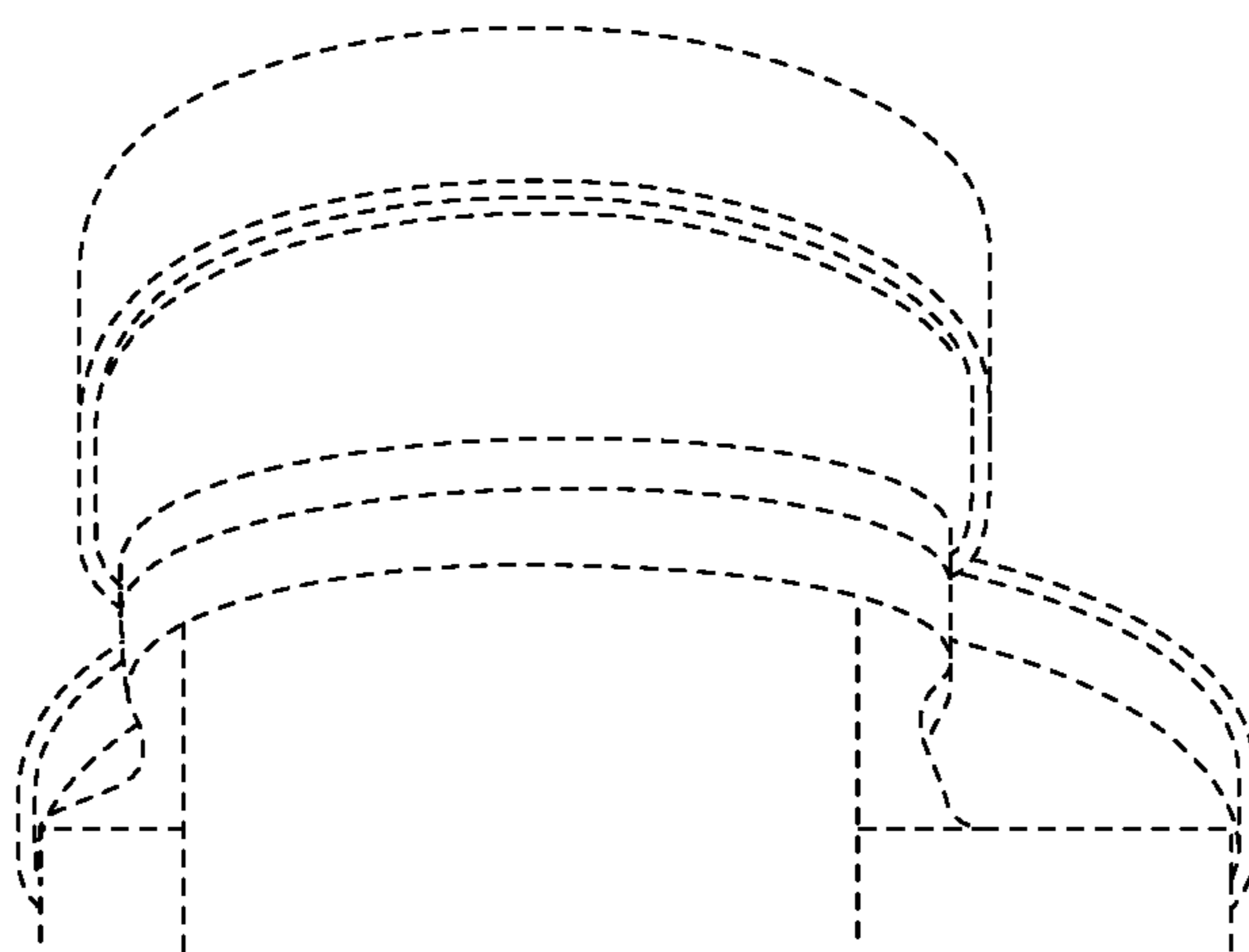


FIG. 6

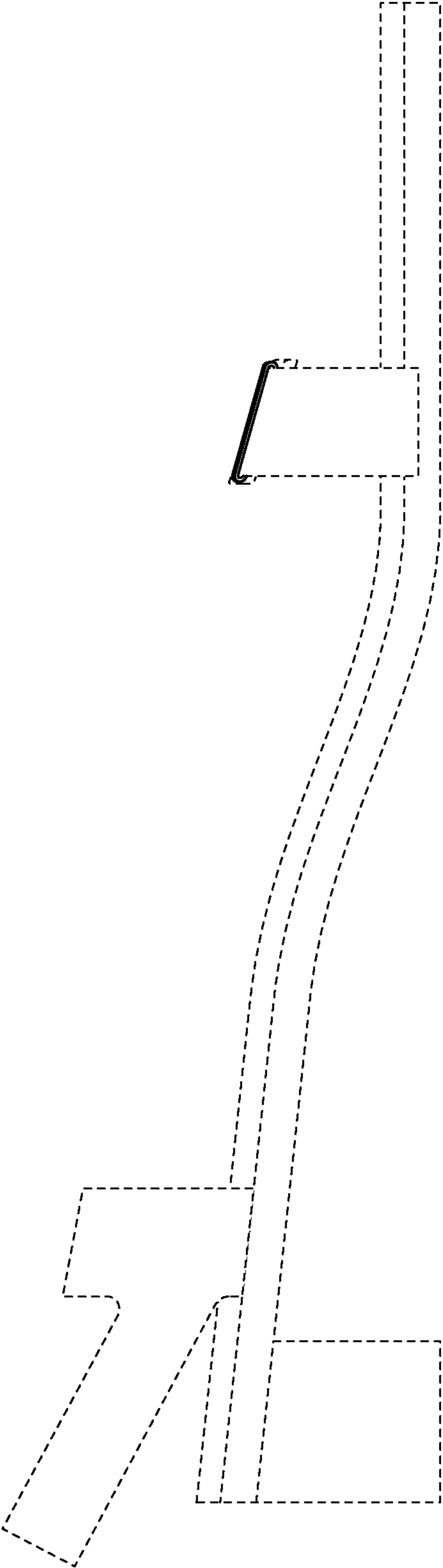


FIG. 7

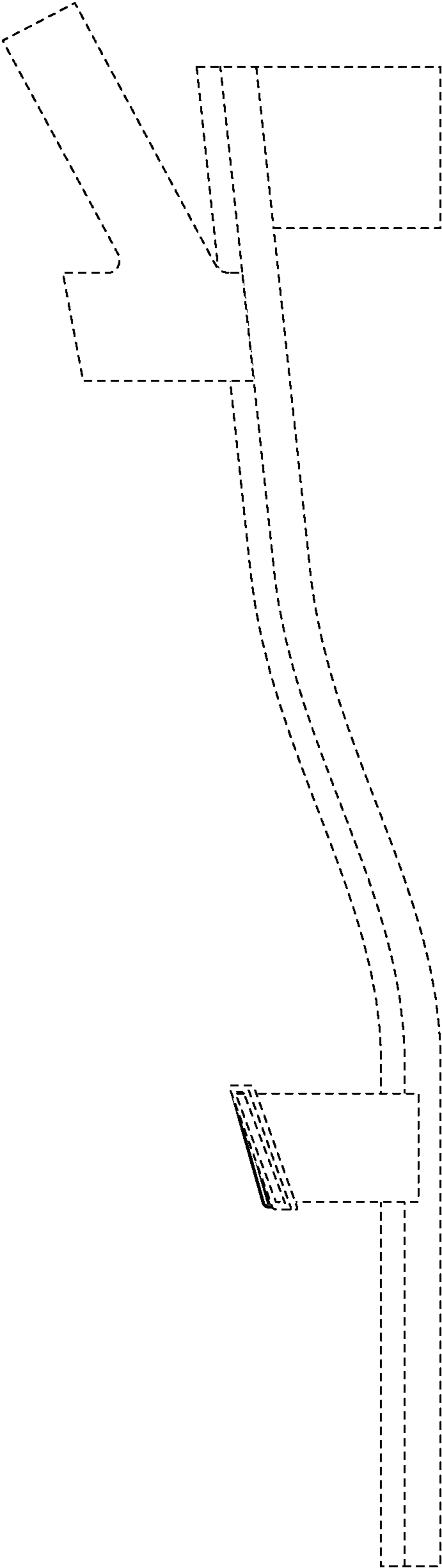


FIG. 8

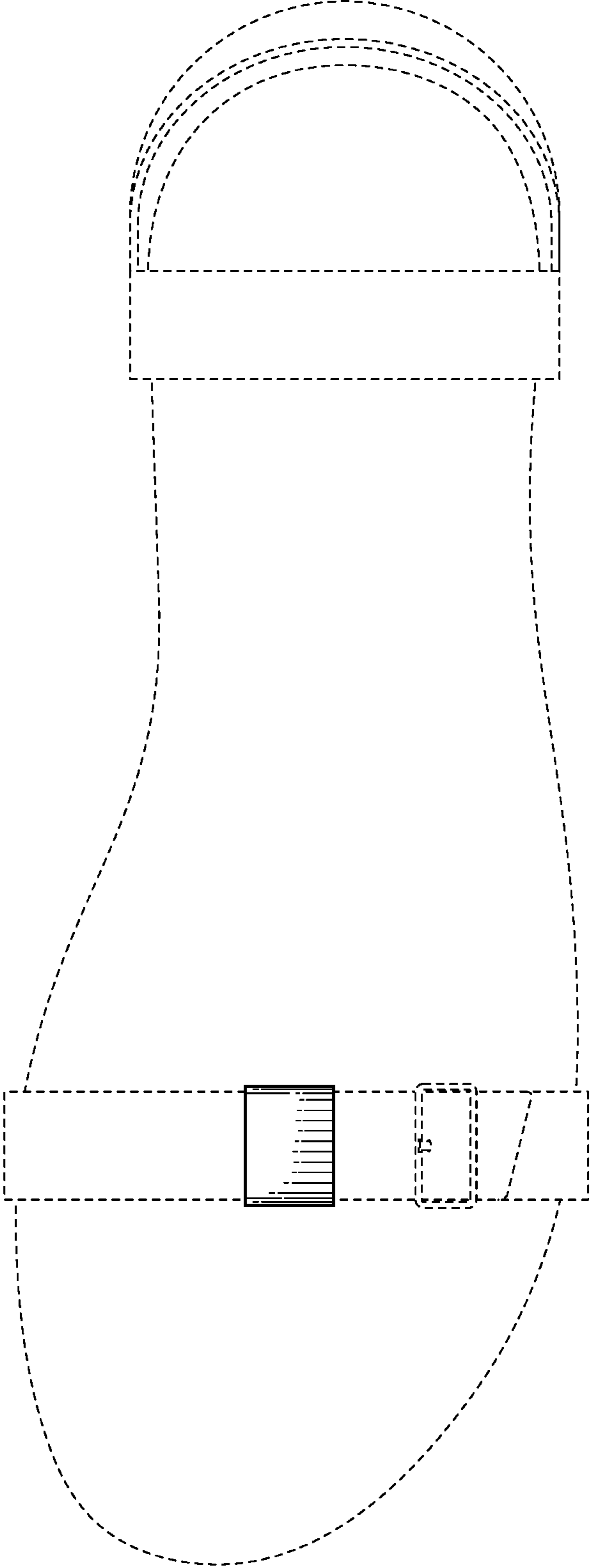


FIG. 9

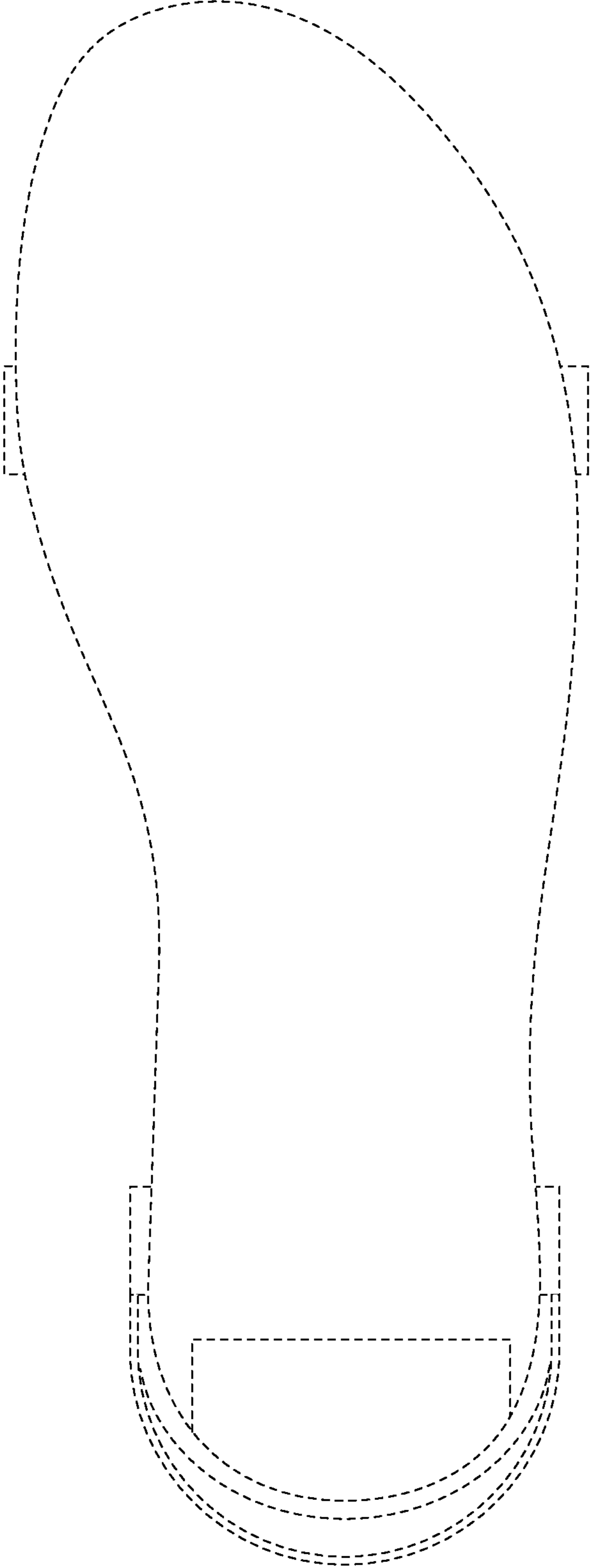


FIG. 10

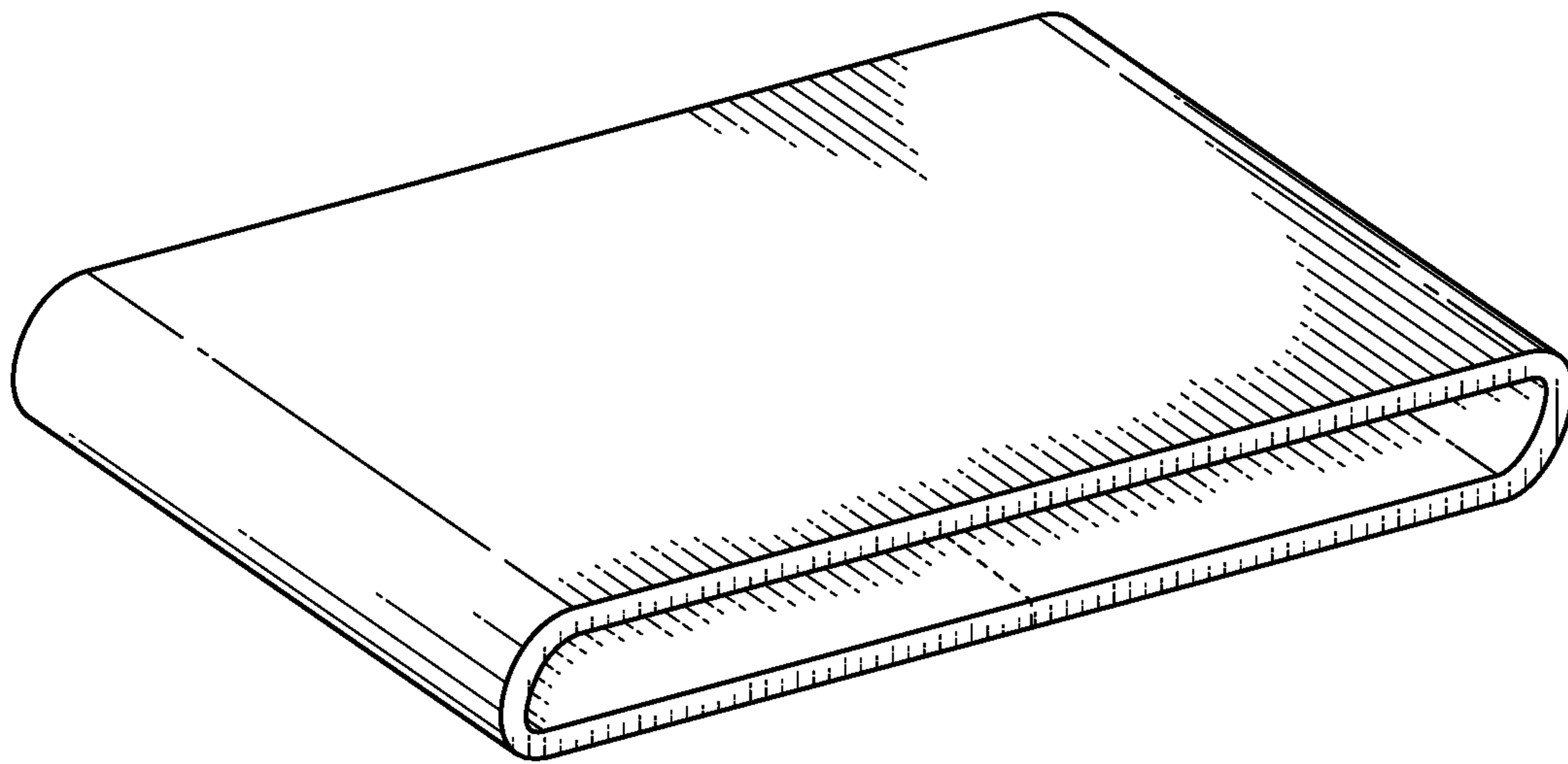


FIG. 11