

US00D950194S

(12) **United States Design Patent** (10) **Patent No.:** **US D950,194 S**
Sutton (45) **Date of Patent:** **** May 3, 2022**

(54) **WEIGHTED BATHROBE**
(71) Applicant: **Jesse Sutton**, New York, NY (US)
(72) Inventor: **Jesse Sutton**, New York, NY (US)
(**) Term: **15 Years**
(21) Appl. No.: **29/706,660**
(22) Filed: **Sep. 23, 2019**
(51) **LOC (13) Cl.** **02-02**
(52) **U.S. Cl.**
USPC **D2/724; D2/602**
(58) **Field of Classification Search**
USPC D2/500, 501, 502, 503, 504, 505, 506,
D2/507, 508, 600, 602, 603, 604, 609,
D2/639, 724, 725, 726, 727, 877, 881,
D2/823, 826, 853, 854, 856, 859, 999;
D6/601, 608; D9/456, 667; D12/193;
D20/10, 13, 15, 17, 22, 42; D24/189,
D24/190, 191, 192; D29/108
CPC A41D 23/00; A41D 2023/002; A41D
2023/004; A41D 2023/006; A41D
2023/008; A41D 25/00; A41D 25/001;
A41D 25/003; A41D 25/02; A41D 25/16
See application file for complete search history.

(56) **References Cited**
U.S. PATENT DOCUMENTS
D31,023 S * 6/1899 Olmsted D2/999
783,867 A * 2/1905 Hyman A41D 13/0518
2/91
D108,019 S * 1/1938 O'Hara D2/500
2,308,449 A * 1/1943 Katzman A41D 23/00
2/91
3,107,357 A * 10/1963 Lesavoy A41B 3/00
2/116
3,199,128 A * 8/1965 Nojd A41D 13/0125
441/89
3,369,256 A * 2/1968 Kern A41D 13/1236
2/114

D239,218 S * 3/1976 Fortson D29/108
D380,586 S * 7/1997 Burthey, III D2/605
6,240,562 B1 * 6/2001 Martin A41D 23/00
2/88

(Continued)

OTHER PUBLICATIONS

Sutton Home Fashion Weighted Robe Machine Washable 5lb, [online]; [internet publication date unknown]; [retrieved from the internet on Dec. 7, 2021]; URL: <https://www.macys.com/shop/product/sutton-home-fashion-weighted-robe-machine-washable-5-lb?ID=12478075>. (2 pages).*

Primary Examiner — Jasmine Mlinarcik
(74) *Attorney, Agent, or Firm* — Ezra Sutton

(57) **CLAIM**

The ornamental design for a weighted bathrobe, as shown and described.

DESCRIPTION

FIG. 1 is a front perspective view of a weighted bathrobe embodying my new design, with the bathrobe shown in dotted lines, for indicating the placement of the weighted section of the weighted bathrobe on the back of the shoulder and the back of the neck and part of the upper back; FIG. 2 is a front perspective view of the weighted section of the weighted bathrobe shown separate from the bathrobe; FIG. 3 is a front view thereof; FIG. 4 is a rear view thereof; FIG. 5 is a top view thereof; FIG. 6 is a bottom view thereof; FIG. 7 is a left side elevational view thereof; and, FIG. 8 is a right side elevational view thereof. The broken line outline of the bathrobe define portions of the article that form no part of the claimed design. The dotted broken lines along the claimed surfaces of the weighted bathrobe depict claimed stitching.

1 Claim, 3 Drawing Sheets



(56)

References Cited

U.S. PATENT DOCUMENTS

D478,408	S	*	8/2003	Nettles	D2/861
D495,550	S	*	9/2004	Weeks	D6/608
D515,278	S	*	2/2006	Jendrucko	D2/500
D538,510	S	*	3/2007	Farshid	D2/830
D557,967	S	*	12/2007	Grant	D2/823
D570,489	S	*	6/2008	McMullin	D24/200
D616,631	S	*	6/2010	Dandron	D2/860
D636,152	S	*	4/2011	Wilson Watkins	D2/861
D665,536	S	*	8/2012	Jenke	D29/108
D670,887	S	*	11/2012	Lewis	D2/502
D688,850	S	*	9/2013	Parker	D2/881
D703,417	S	*	4/2014	Benton	D2/881
D732,849	S	*	6/2015	Ross	D6/608
D747,615	S	*	1/2016	Anderson	D6/608
D756,073	S	*	5/2016	Mahoney	D2/877
D779,779	S	*	2/2017	Clark	D2/500
D808,610	S	*	1/2018	Wallen	D2/500
D816,544	S	*	5/2018	Anderson	D11/165
D828,675	S	*	9/2018	Kei	D2/501
D830,041	S	*	10/2018	Wonsey	D2/877
D839,533	S	*	2/2019	Nardone	D2/500
D844,930	S	*	4/2019	Moore	D2/602
D907,496	S	*	1/2021	Menzel, Jr.	D9/456
D914,216	S	*	3/2021	Henderson	D24/162
D926,988	S	*	8/2021	Henderson	D24/162
D934,416	S	*	10/2021	Slepkow	D24/124
2013/0055492	A1	*	3/2013	Husain	A41D 13/0512 2/468
2015/0020285	A1	*	1/2015	Joyce	A41D 13/04 2/48

* cited by examiner

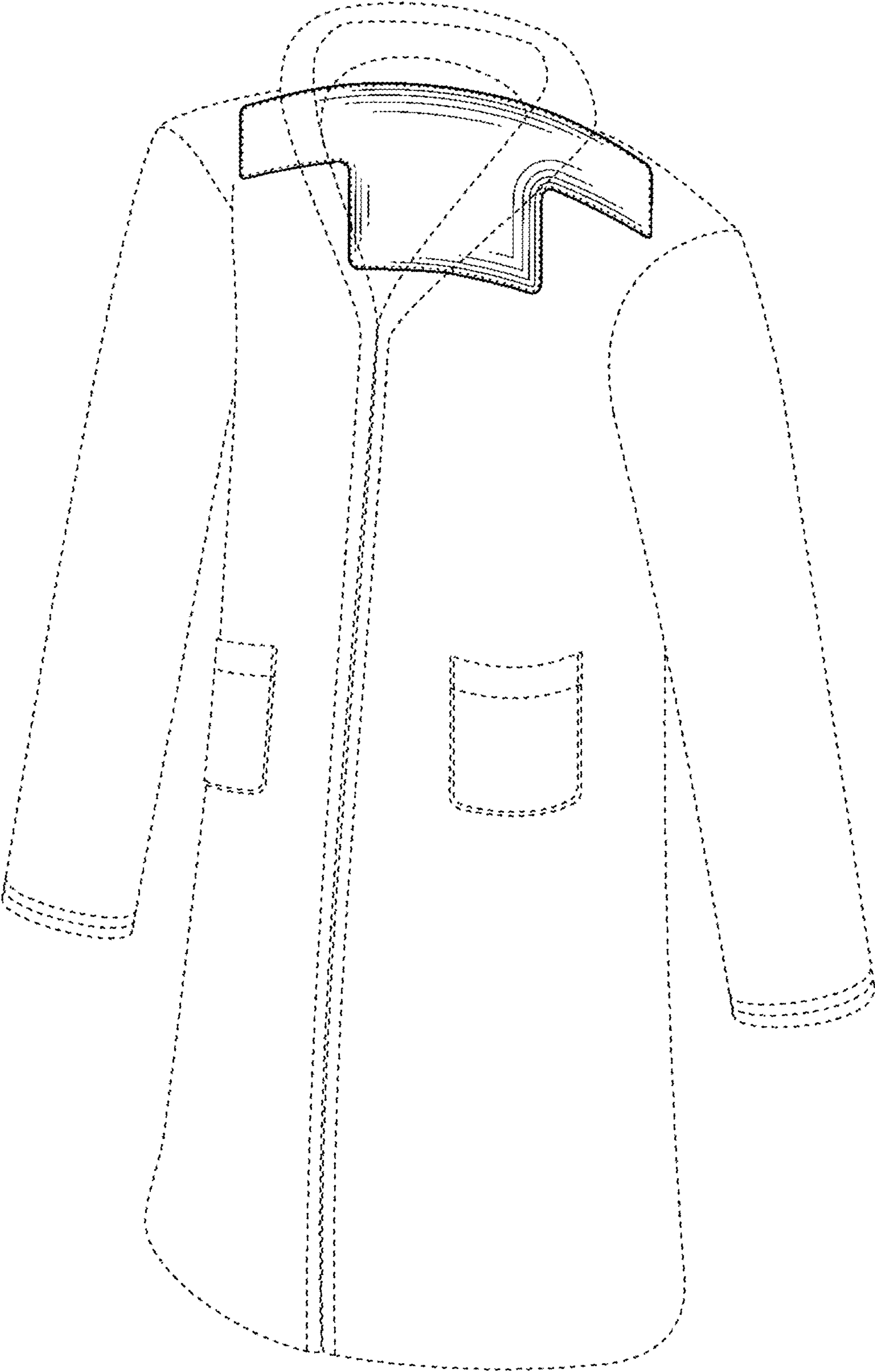


FIG. 1

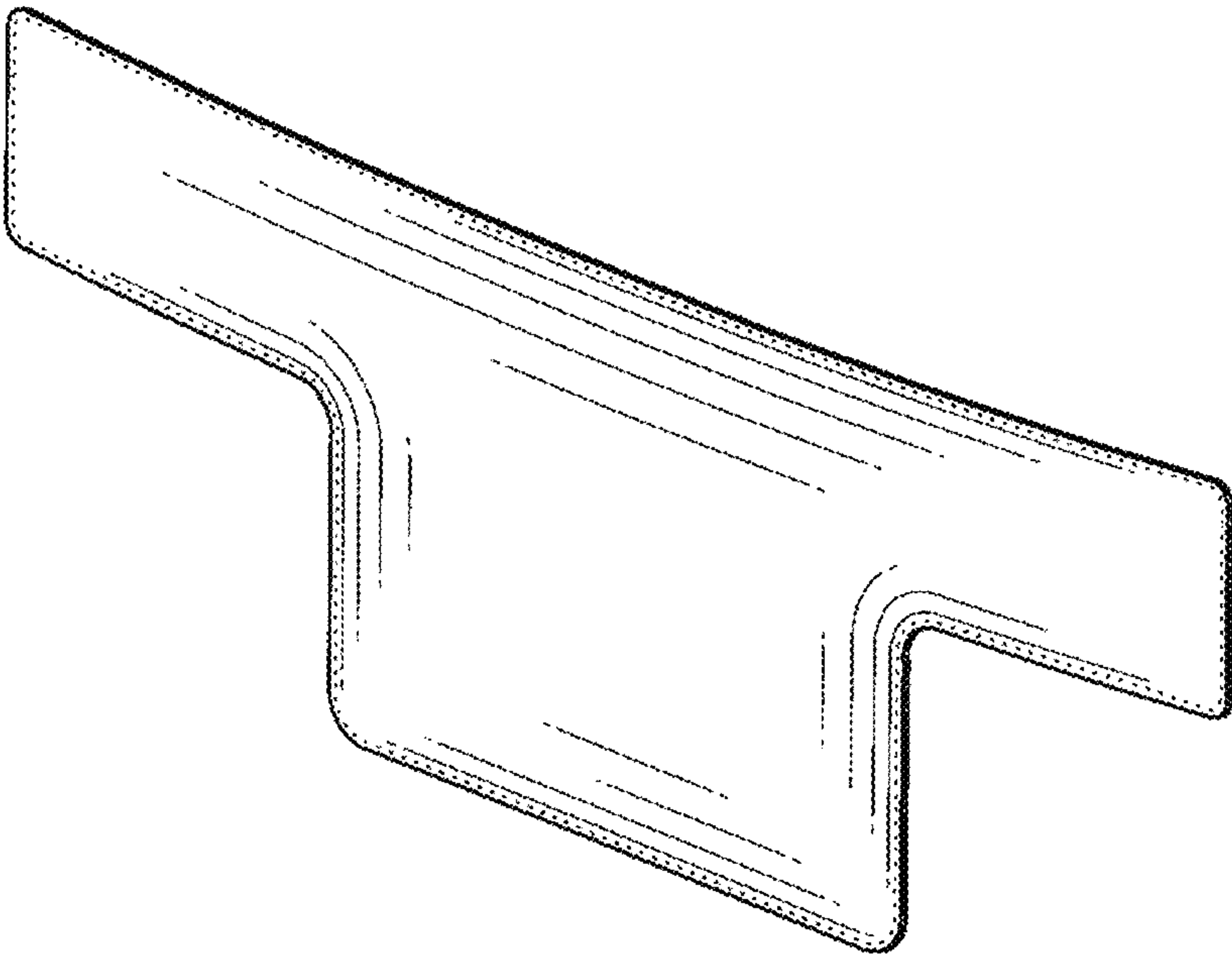


FIG. 2

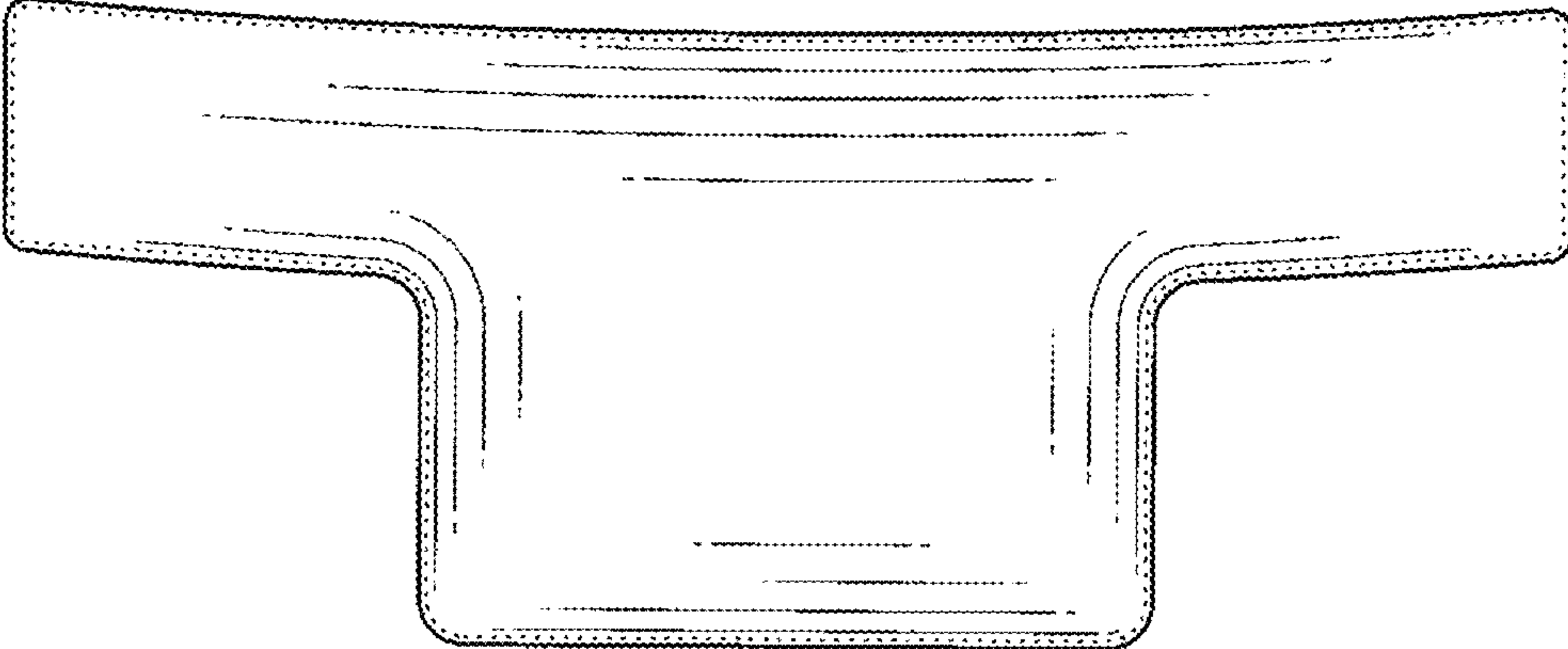


FIG. 3

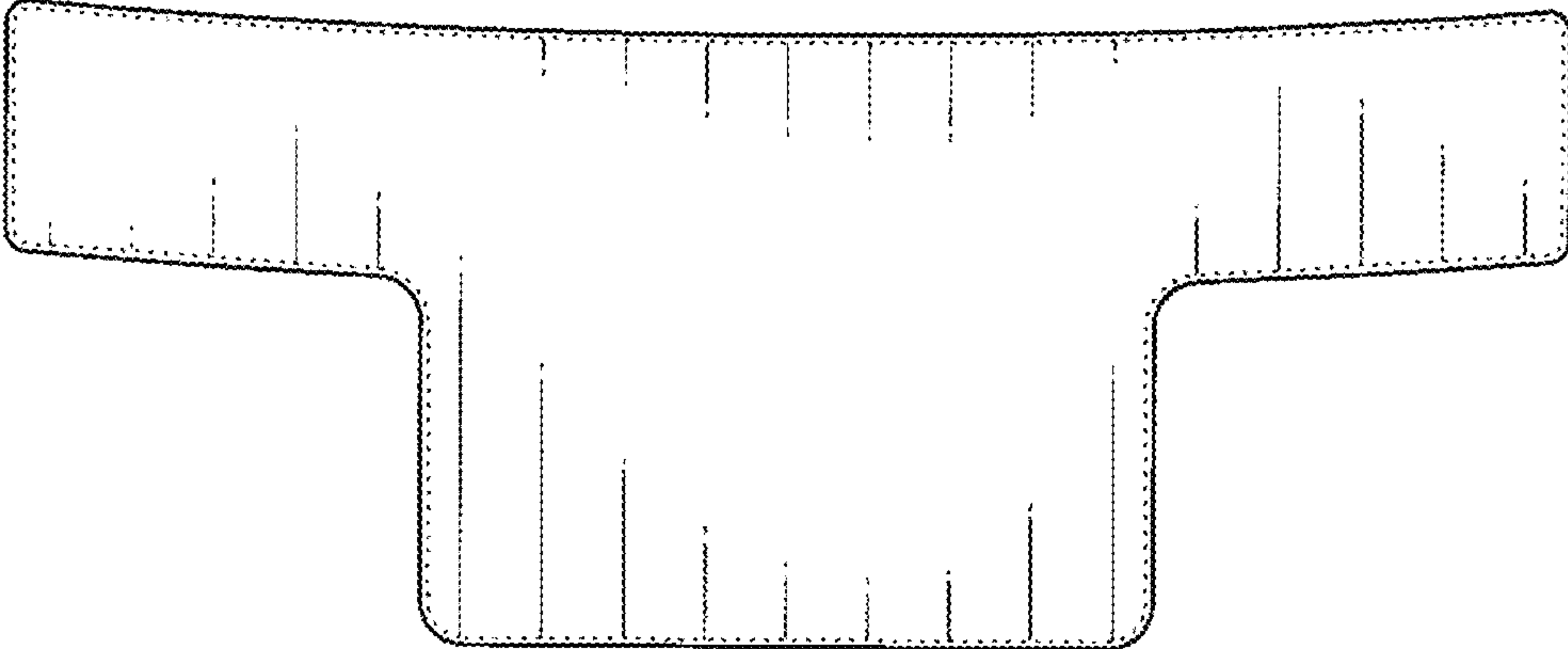


FIG. 4

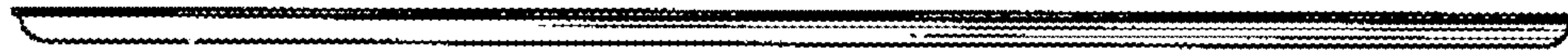


FIG. 5

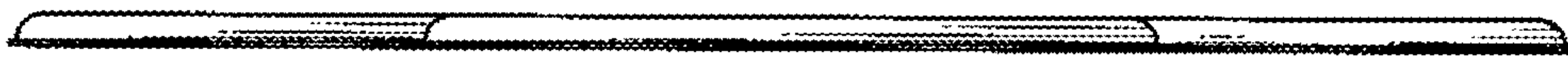


FIG. 6



FIG. 7



FIG. 8