



US00D950192S

(12) **United States Design Patent** (10) **Patent No.:** **US D950,192 S**
Potter et al. (45) **Date of Patent:** **** May 3, 2022**

(54) **ROPE PET TREAT**

FOREIGN PATENT DOCUMENTS

(71) Applicant: **Spectrum Brands, Inc.**, Middleton, WI (US)

CA 134142 A 7/1911
CA 134142 S 9/2010

(Continued)

(72) Inventors: **Tiffany Dawn Potter**, Pearisburg, VA (US); **Gregory van Eyk**, Christiansburg, VA (US); **Allyse McCann**, Blacksburg, VA (US)

Primary Examiner — Katie Jane Stofko

(74) *Attorney, Agent, or Firm* — Merchant & Gould P.C.

(73) Assignee: **Spectrum Brands, Inc.**, Middleton, WI (US)

(57) **CLAIM**

The ornamental design for a rope pet treat, as shown and described.

(**) Term: **15 Years**

DESCRIPTION

(21) Appl. No.: **29/740,978**

(22) Filed: **Jul. 8, 2020**

(51) **LOC (13) Cl.** **01-01**

(52) **U.S. Cl.**
USPC **D1/199**

(58) **Field of Classification Search**

USPC D1/100–130, 199; 426/5, 76, 87, 92, 94, 426/95, 101, 103, 104, 108, 134, 426/138–139, 143, 144, 279, 282, 283, 426/391, 514, 549, 559, 560, 660, 808; D30/60; D11/1, 86; D21/386, 658
CPC B26D 3/11; A47J 37/043; A47J 37/049; A47J 43/18; A22C 17/006; A22C 13/0013; A23L 1/164; A23L 1/005; A23B 4/10; B65D 81/343

See application file for complete search history.

FIG. 1 is a top, front, right side perspective view of a first embodiment of a rope pet treat according to the new design; FIG. 2 is a front elevation view thereof; FIG. 3 is a back elevation thereof; FIG. 4 is a right side elevation view thereof; FIG. 5 is a left side elevation view thereof; FIG. 6 is a top plan view thereof; FIG. 7 is a bottom view thereof; FIG. 8 is a bottom, front, right side perspective thereof; FIG. 9 is a top, front, right side perspective view of a second embodiment of a rope pet treat according to the new design; FIG. 10 is a front elevation view thereof; FIG. 11 is a back elevation view thereof; FIG. 12 is a right side elevation view thereof; FIG. 13 is a left side elevation view thereof; FIG. 14 is a top plan view thereof; FIG. 15 is a bottom plan view thereof; and, FIG. 16 is a bottom, front, right side perspective view thereof.

(56) **References Cited**

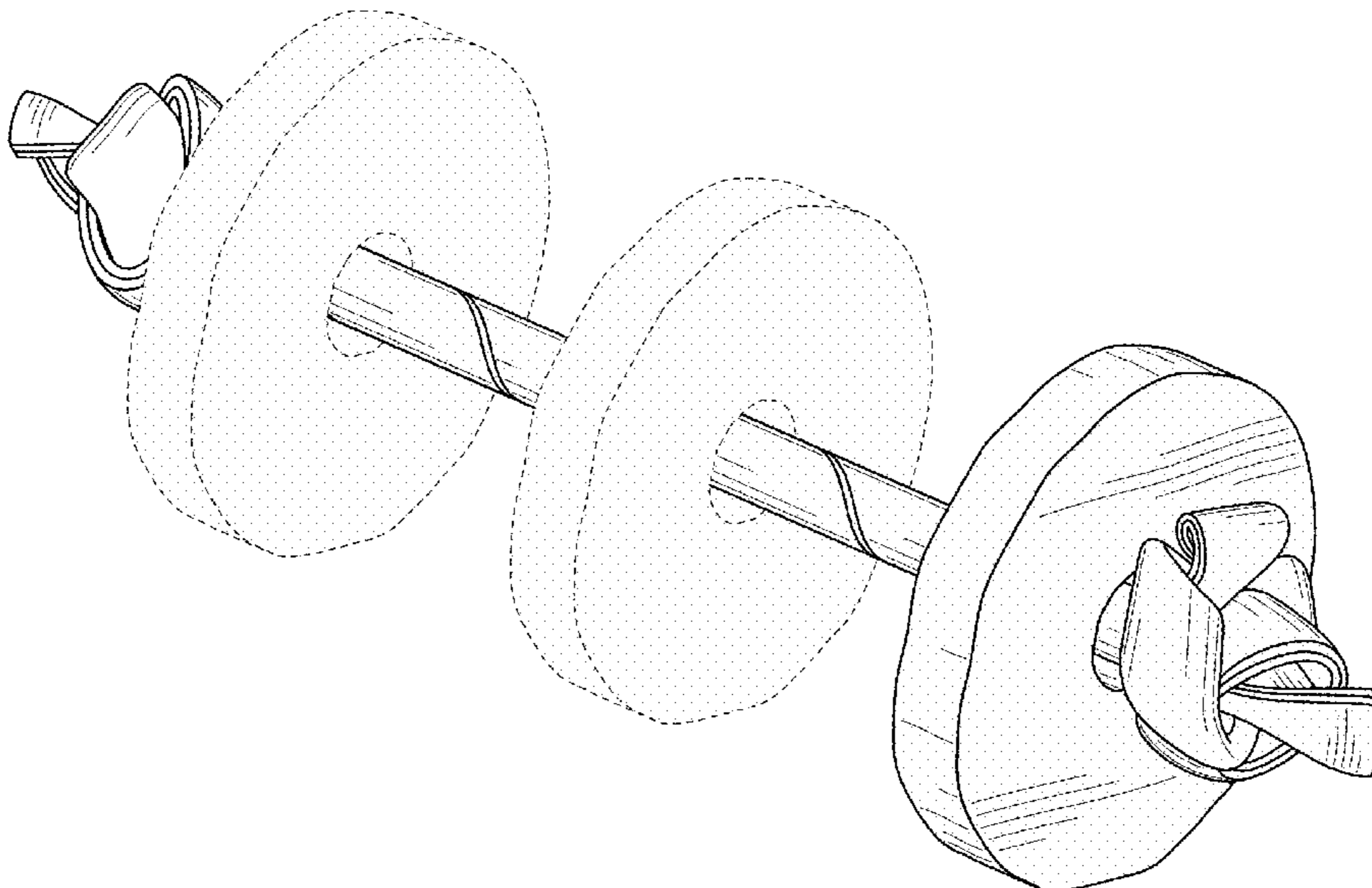
U.S. PATENT DOCUMENTS

1,714,234 A 5/1929 Ost
4,879,126 A 11/1989 Willard et al.
D346,048 S 4/1994 Jandebeur et al.
D348,959 S 7/1994 Lawson

(Continued)

The broken lines shown in the drawings illustrate portions of the rope pet treat that form no part of the claimed design. The break lines shown in the middle portion of the rope pet treat in FIGS. 9-11 and 14-16 indicate that the appearance of any portion of the article between the break lines forms no part of the claimed design.

1 Claim, 10 Drawing Sheets



(56)

References Cited

U.S. PATENT DOCUMENTS

D355,746 S * 2/1995 O'Rourke D30/160
 D356,879 S * 3/1995 O'Rourke D30/160
 D371,645 S 7/1996 Lawson
 D378,450 S * 3/1997 O'Rourke D30/160
 5,711,254 A 1/1998 O'Rourke
 6,050,224 A * 4/2000 Owens A01K 15/026
 119/709
 D431,886 S * 10/2000 Owens 30/99
 D432,741 S * 10/2000 Owens D30/160
 D477,695 S 7/2003 Kirch
 D478,705 S 8/2003 Dahl et al.
 6,601,539 B1 * 8/2003 Snook A01K 15/026
 119/710
 D479,369 S 9/2003 Kirch
 D485,046 S 1/2004 Hague
 D496,772 S 10/2004 Tepper et al.
 D497,240 S 10/2004 Tepper et al.
 D497,701 S 11/2004 Tepper et al.
 D505,533 S 5/2005 Jia et al.
 D514,753 S * 2/2006 Crane D1/199
 D522,712 S 6/2006 Nakata
 D526,762 S 8/2006 Richey et al.
 D546,507 S 7/2007 Byrne
 D594,182 S 6/2009 Hague
 D621,578 S 8/2010 Farkas et al.
 D627,536 S 11/2010 Alubja et al.

D653,819 S * 2/2012 Byrne D30/160
 D658,348 S 5/2012 McCleary
 D661,850 S * 6/2012 Byrne D30/160
 D710,554 S * 8/2014 Byrne D30/160
 D781,525 S * 3/2017 Kreamer D1/106
 D785,901 S 5/2017 Wilson et al.
 D789,651 S 6/2017 Wilson et al.
 D804,140 S 12/2017 Bennett et al.
 D826,484 S 8/2018 Loibl et al.
 D836,283 S 12/2018 Bortone
 D836,284 S 12/2018 Bortone
 10,159,266 B2 12/2018 Xu
 D840,632 S 2/2019 Erol
 D848,085 S * 5/2019 Jew D30/160
 2007/0019353 A1 1/2007 Ishii et al.
 2008/0289584 A1 11/2008 Fay
 2013/0047932 A1 2/2013 Salon Hyder et al.
 2013/0266696 A1 10/2013 Shrestha et al.
 2013/0327279 A1 12/2013 Prange et al.

FOREIGN PATENT DOCUMENTS

CN 201612129 U 10/2010
 EP 1471791 11/2004
 EP 1513396 3/2005
 WO 03/065813 A1 8/2003
 WO 2004/062359 A1 7/2004

* cited by examiner

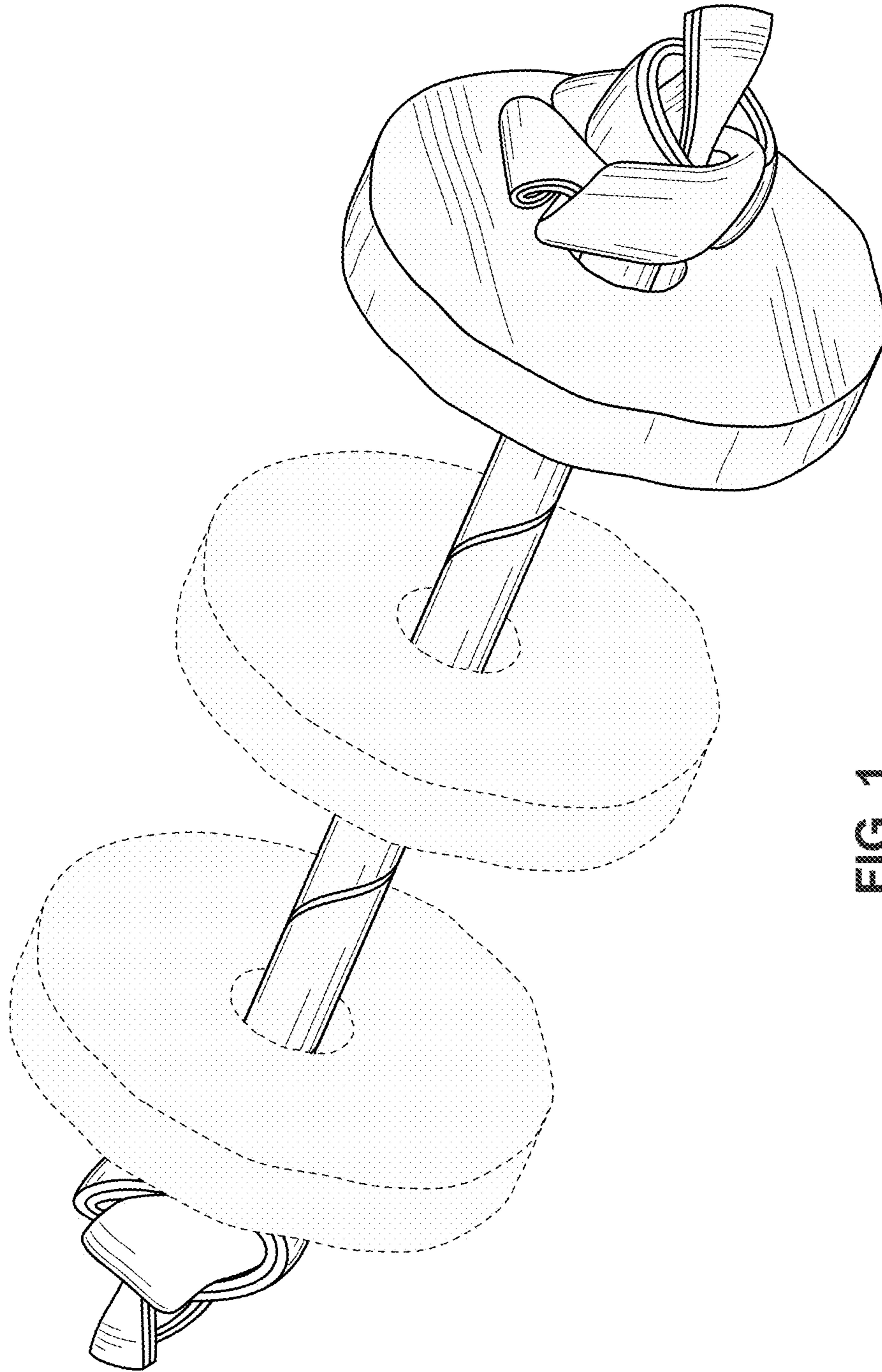


FIG. 1

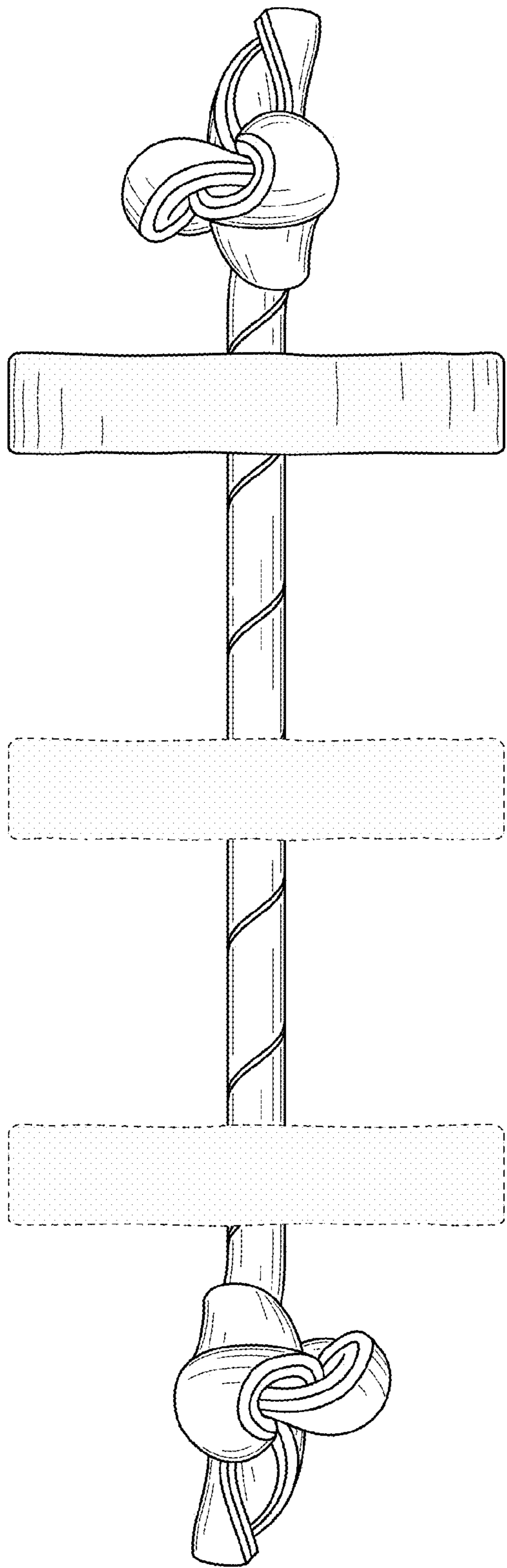


FIG. 2

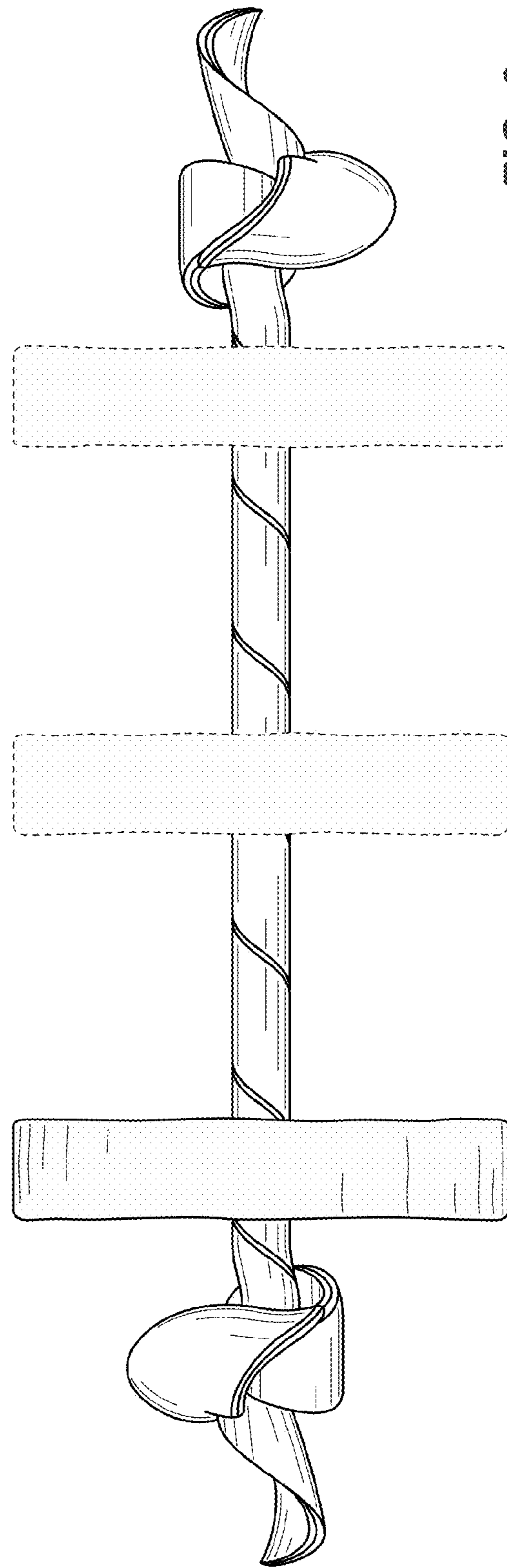


FIG. 3

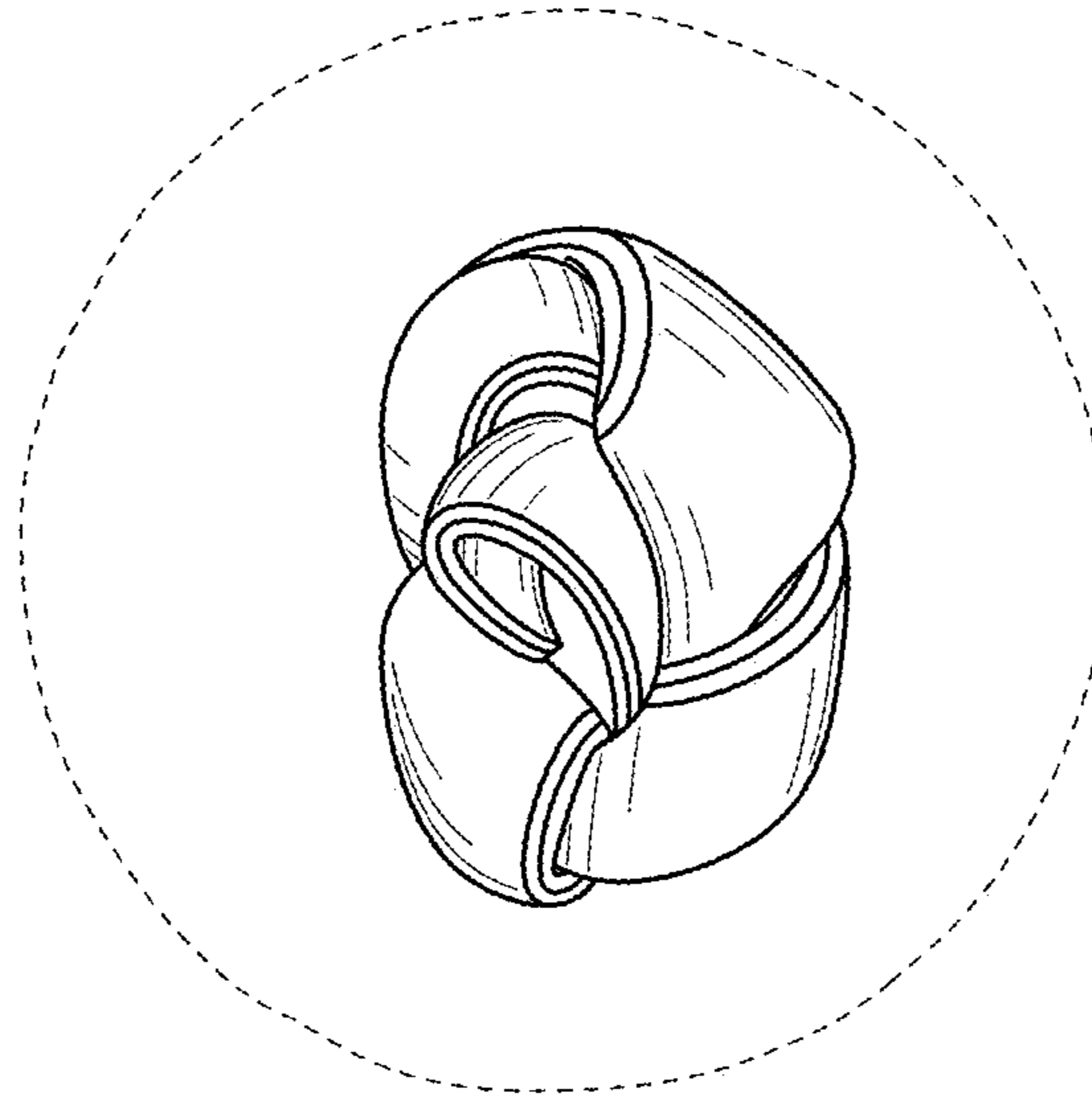


FIG. 5

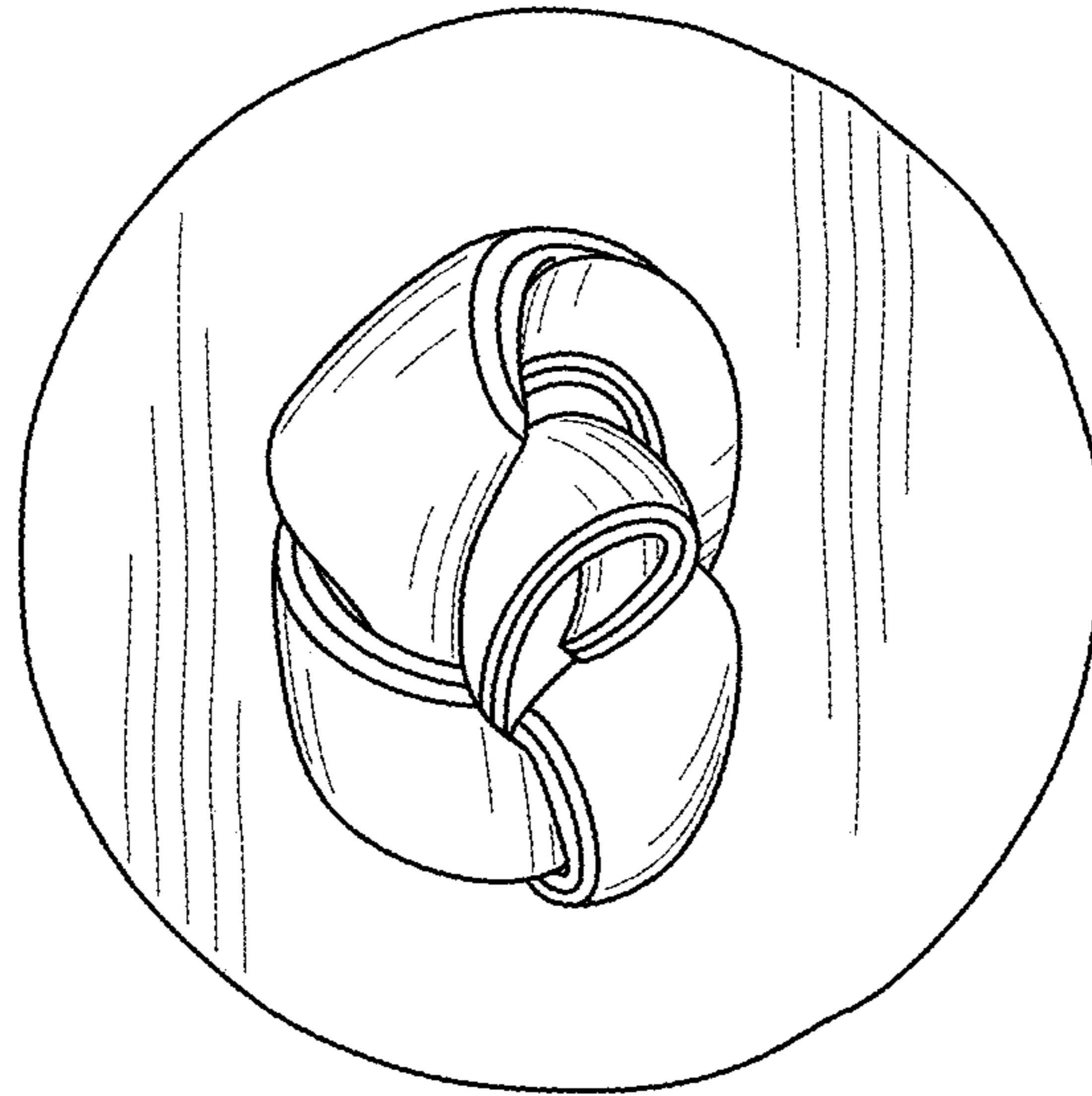


FIG. 4

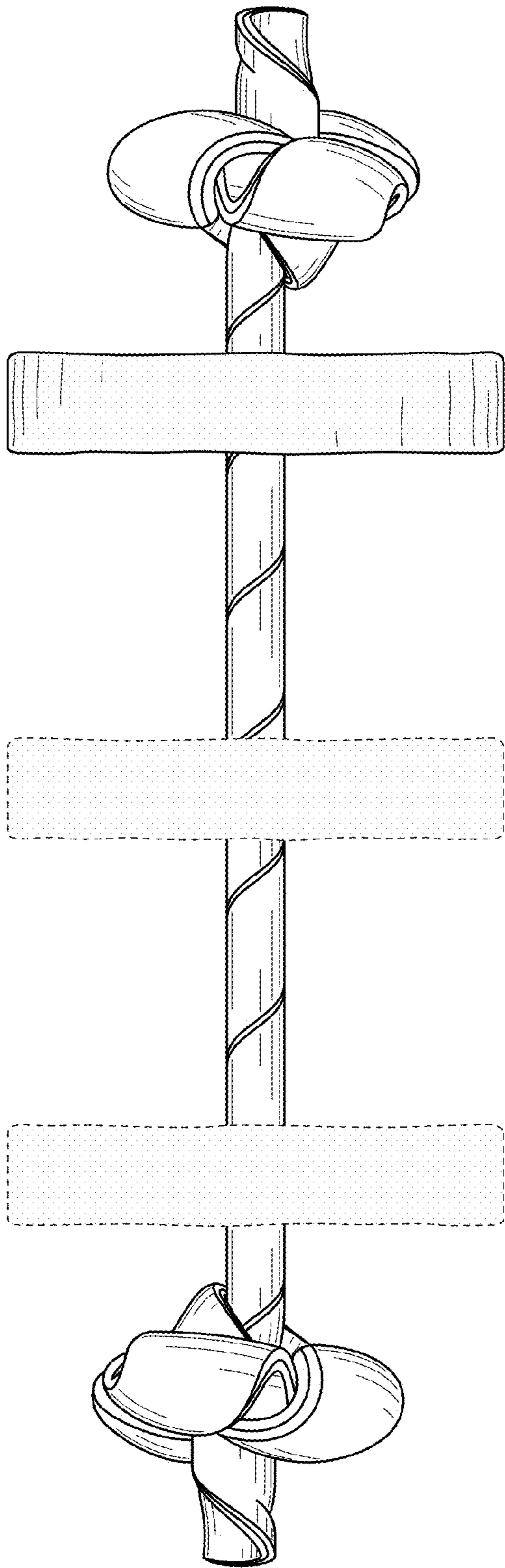


FIG. 6

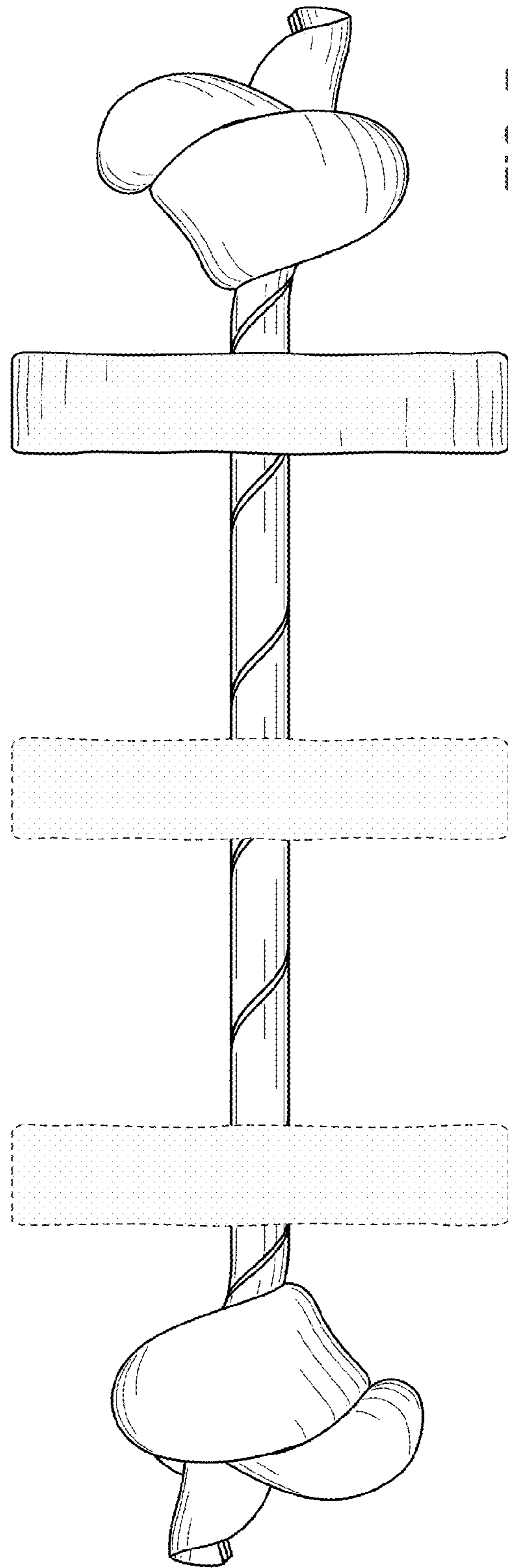


FIG. 7

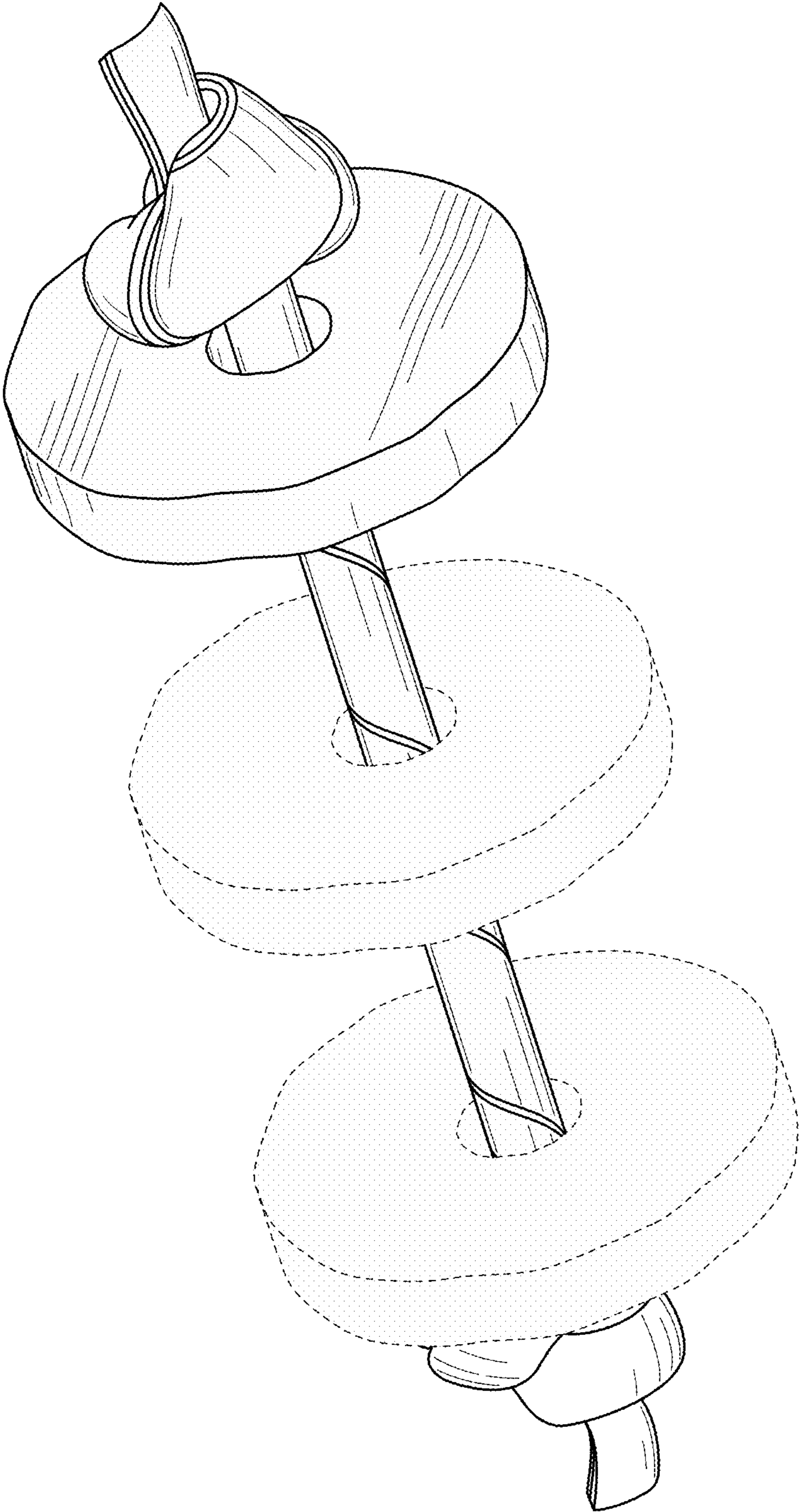


FIG. 8

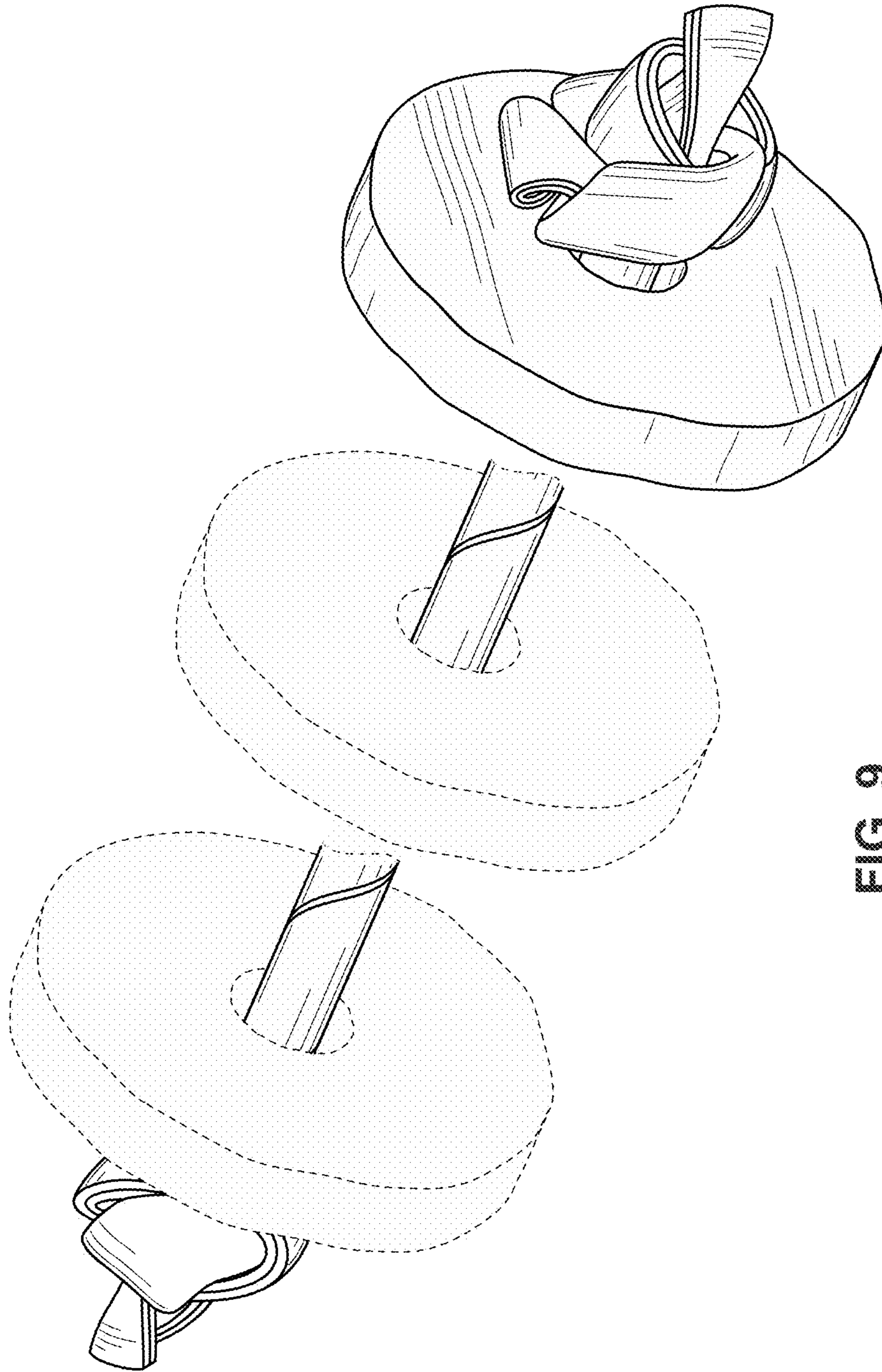


FIG. 9

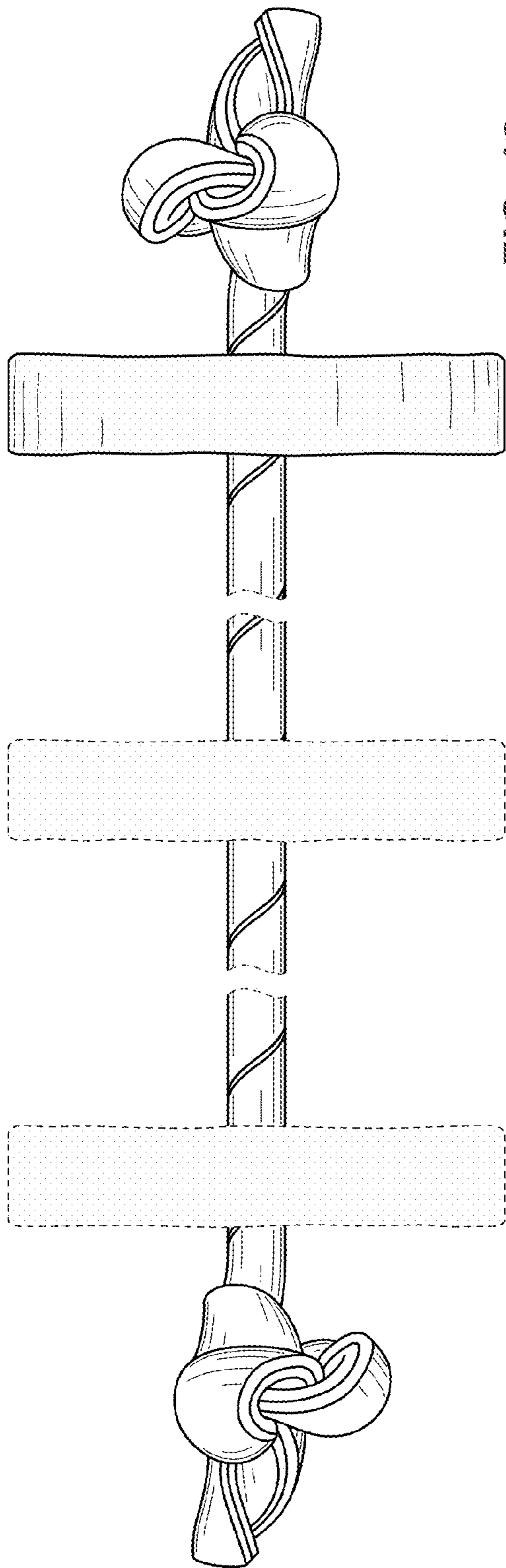


FIG. 10

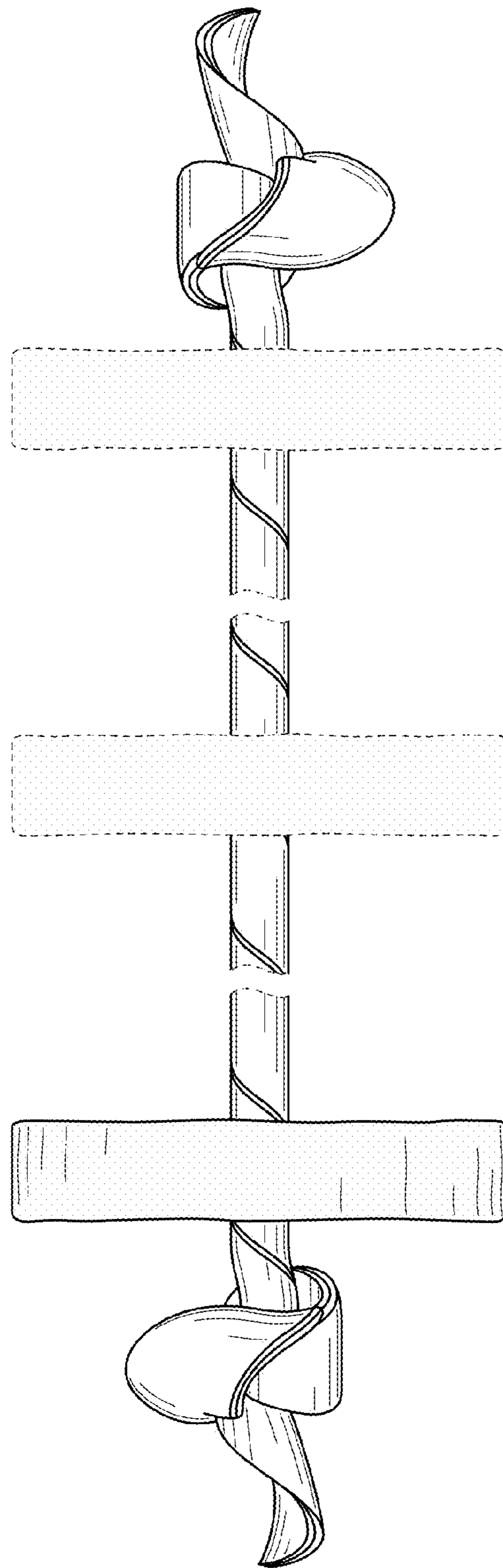


FIG. 11

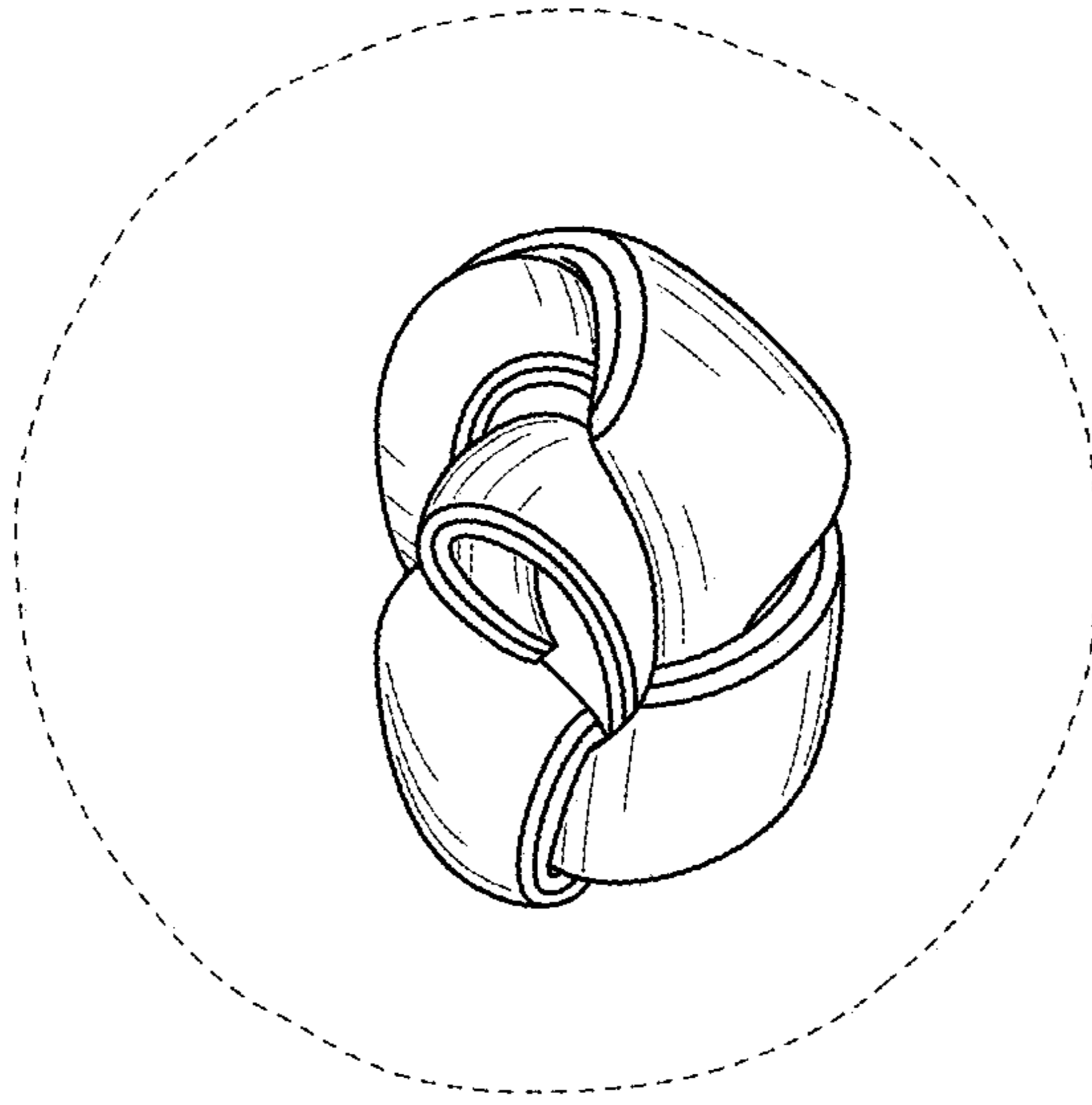


FIG. 12

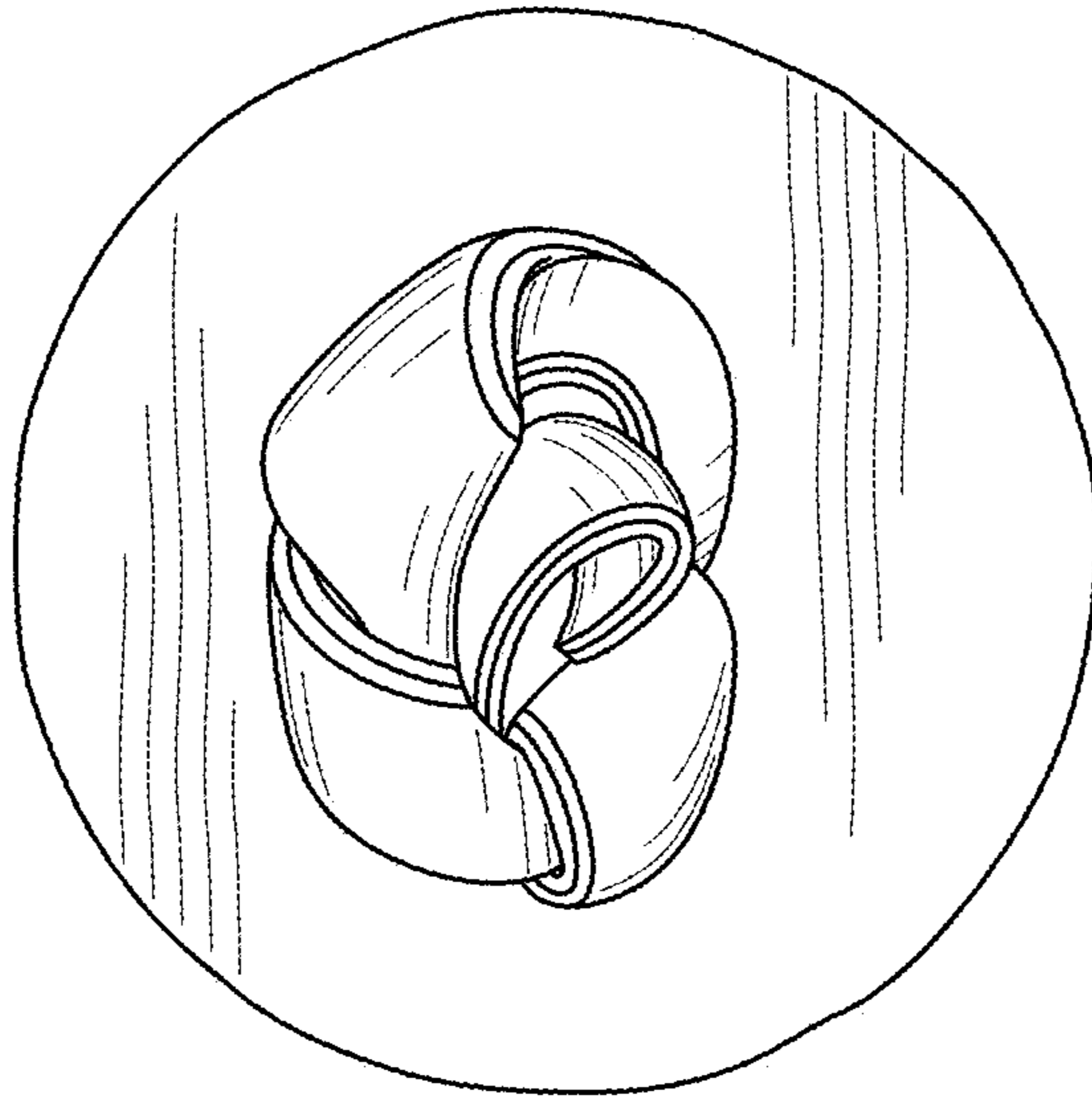


FIG. 13

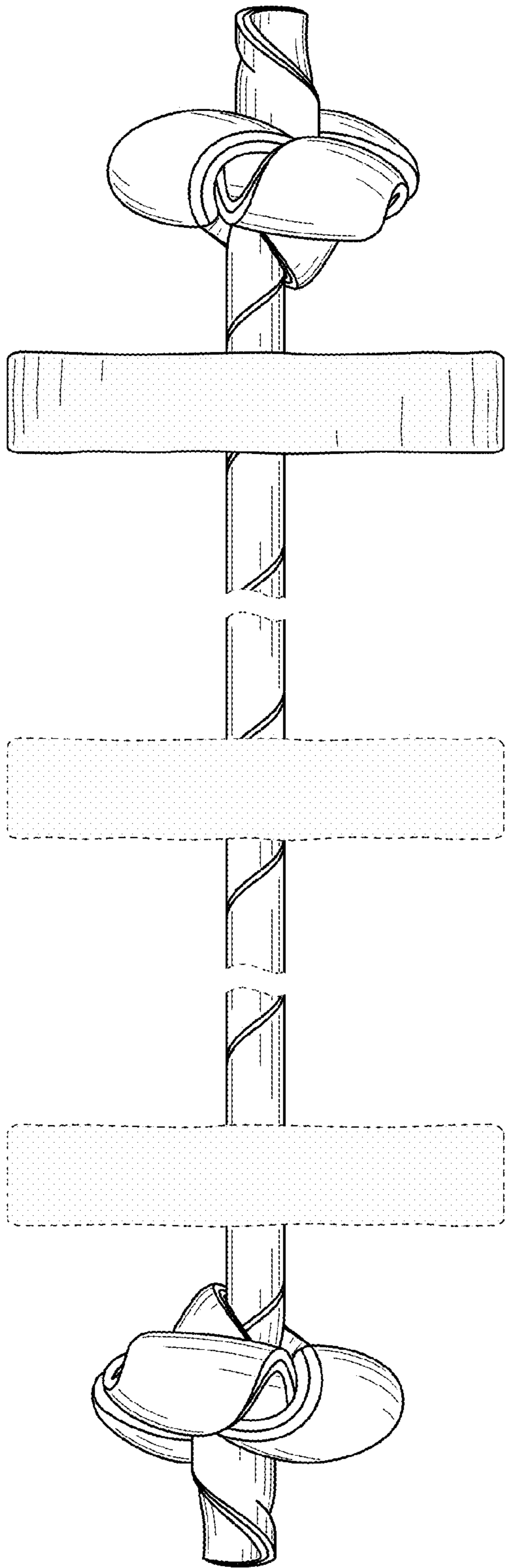


FIG. 14

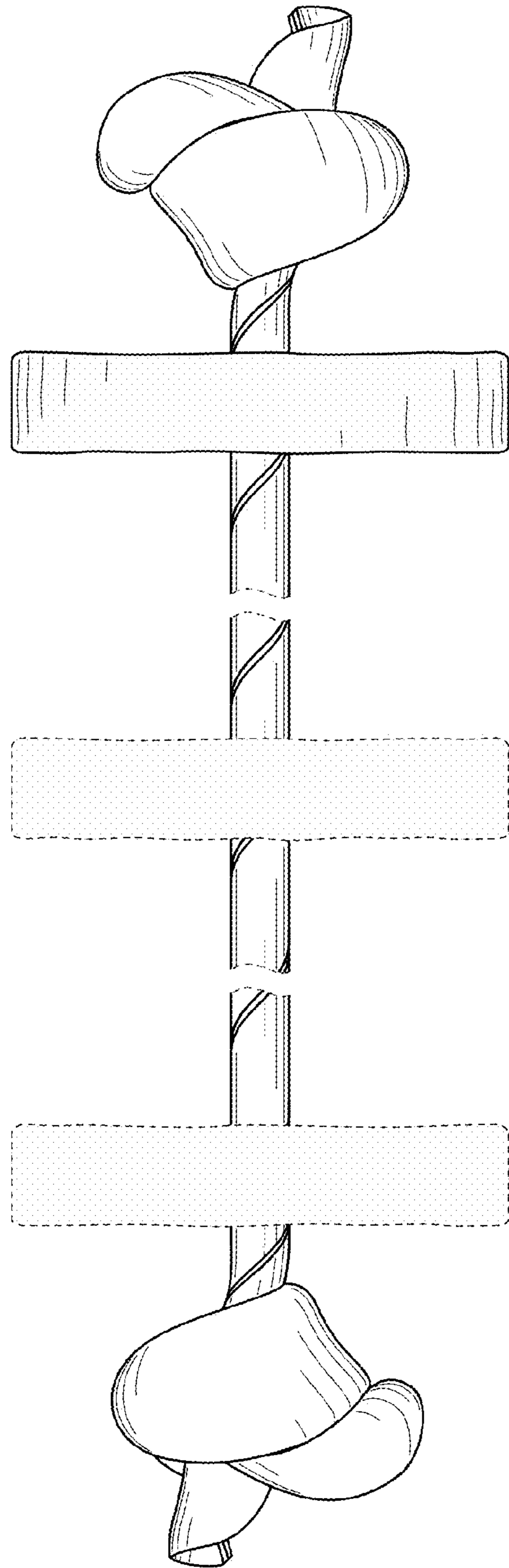


FIG. 15

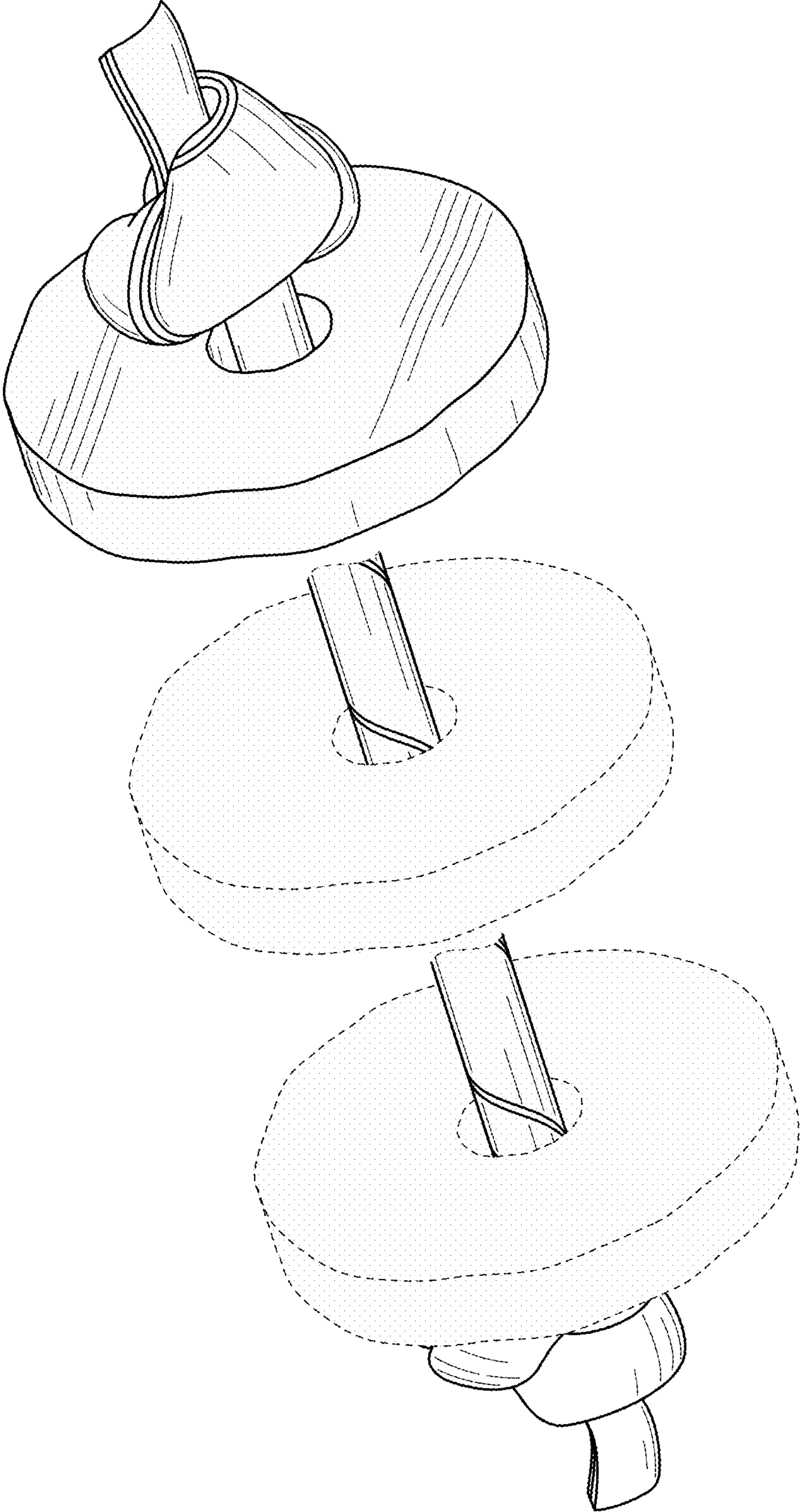


FIG. 16