



US00D950185S

(12) **United States Design Patent**  
**Elliott et al.**

(10) **Patent No.:** **US D950,185 S**

(45) **Date of Patent:** **\*\* Apr. 26, 2022**

(54) **WINCH**

(71) Applicant: **Forcome Co. Ltd.**, Shanghai (CN)

(72) Inventors: **Ronald L. Elliott**, Oregon City, OR (US); **Weiguang Li**, Shanghai (CN)

(73) Assignee: **Forcome Co. Ltd.**, Shanghai (CN)

(\*\*) Term: **15 Years**

(21) Appl. No.: **29/730,542**

(22) Filed: **Apr. 6, 2020**

(51) **LOC (13) Cl.** ..... **12-05**

(52) **U.S. Cl.**

USPC ..... **D34/33**

(58) **Field of Classification Search**

USPC ..... D34/28-39; D12/162

CPC . B66D 1/12; B66D 1/005; B66D 1/00; B66D

1/14; B66D 3/006; E21B 19/06; E21B

19/16; E21B 19/08

See application file for complete search history.

(56) **References Cited**

**U.S. PATENT DOCUMENTS**

D703,414 S *	4/2014	Fretz	.....	D34/33
D744,189 S *	11/2015	Fretz	.....	D34/33
D815,386 S *	4/2018	August	.....	D34/33
D816,937 S *	5/2018	Fretz	.....	D34/33
D816,938 S *	5/2018	Fretz	.....	D34/33
D888,360 S *	6/2020	Zheng	.....	D34/33
10,730,726 B2 *	8/2020	Karambelas	.....	F16H 3/54
D896,463 S *	9/2020	Saeger	.....	D34/33
D898,321 S *	10/2020	Fretz	.....	D34/33
D906,624 S *	12/2020	Wilcox	.....	D34/33
D923,281 S *	6/2021	Wilcox	.....	D34/33
D923,906 S *	6/2021	Fogg	.....	D34/33

2014/0001427 A1\* 1/2014 Fretz ..... B66D 1/28

254/342

2014/0252286 A1\* 9/2014 Averill ..... B66D 1/16

254/344

2018/0118530 A1\* 5/2018 August ..... H01P 1/005

**OTHER PUBLICATIONS**

Apex Winch, announced Nov. 2019 [online], [site visited Aug. 18, 2021]. Available from internet, URL: <https://www.harborfreight.com/apex-12000-lb-winch-with-synthetic-rope-and-wireless-remote-56385.html/> (Year: 2019).\*

Warn Winch, announced May 2019 [online], [site visited Aug. 18, 2021]. Available from internet, URL: [https://www.amazon.com/WARN-103254-Standard-Winch-Steel/dp/B07SGG78NH/ref=sr\\_1\\_3?dchild=1&keywords=winch&qid=1629303271&sr=8-3](https://www.amazon.com/WARN-103254-Standard-Winch-Steel/dp/B07SGG78NH/ref=sr_1_3?dchild=1&keywords=winch&qid=1629303271&sr=8-3) (Year: 2019).\*

\* cited by examiner

*Primary Examiner* — Cynthia Ramirez

*Assistant Examiner* — Tamara L Hahn

(74) *Attorney, Agent, or Firm* — McCoy Russell LLP

(57) **CLAIM**

The ornamental design for a winch, as shown and described.

**DESCRIPTION**

FIG. 1 is a front-left perspective view of a winch according to the claimed design.

FIG. 2 is a front-right perspective view of the winch.

FIG. 3 is a front view of the winch.

FIG. 4 is a rear view of the winch.

FIG. 5 is a right side view of the winch.

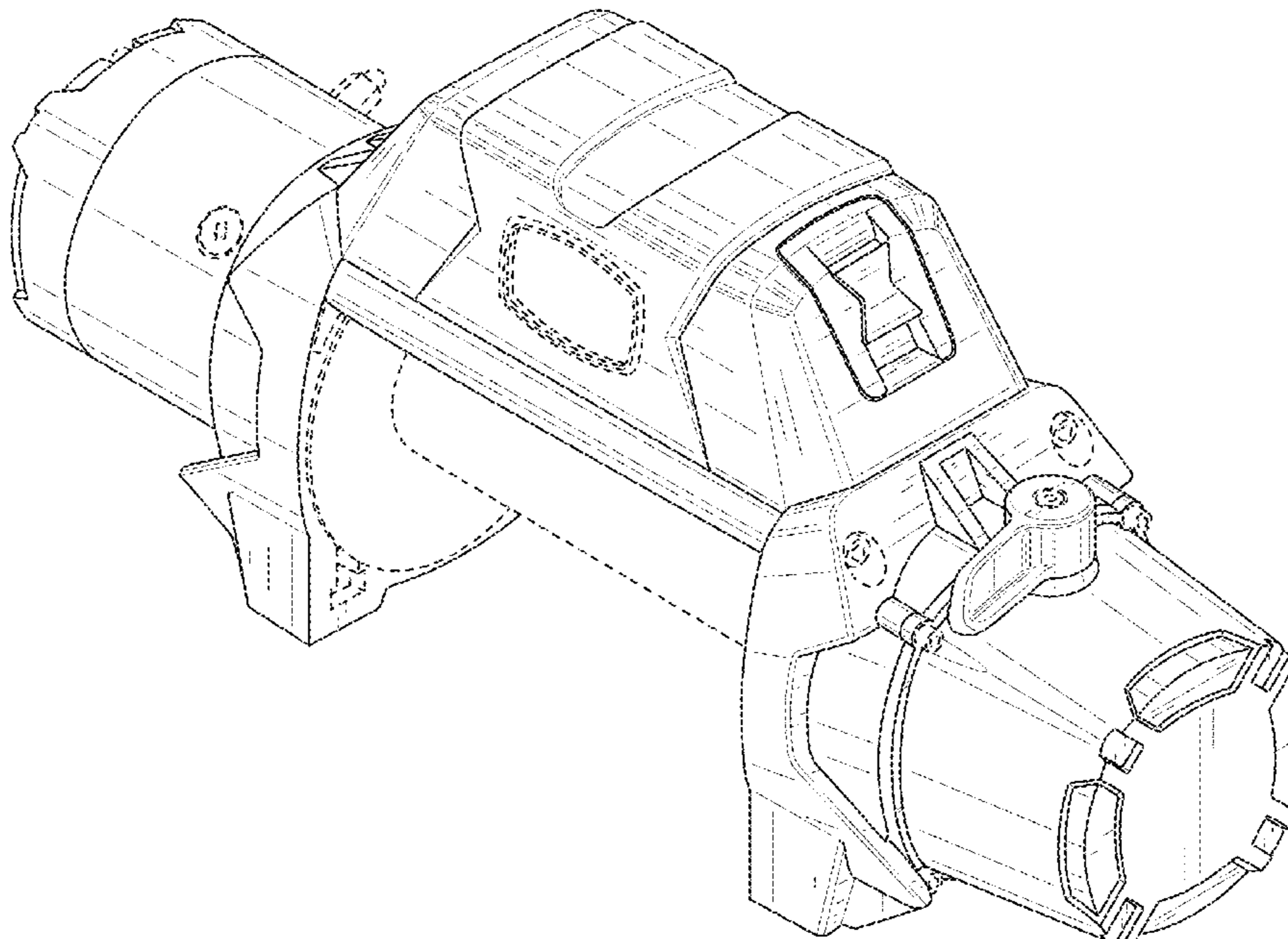
FIG. 6 is a left side view of the winch.

FIG. 7 is a top view of the winch; and,

FIG. 8 is a bottom view of the winch.

The broken lines in the drawings illustrate portions of the winch that form no part of the claimed design.

**1 Claim, 8 Drawing Sheets**



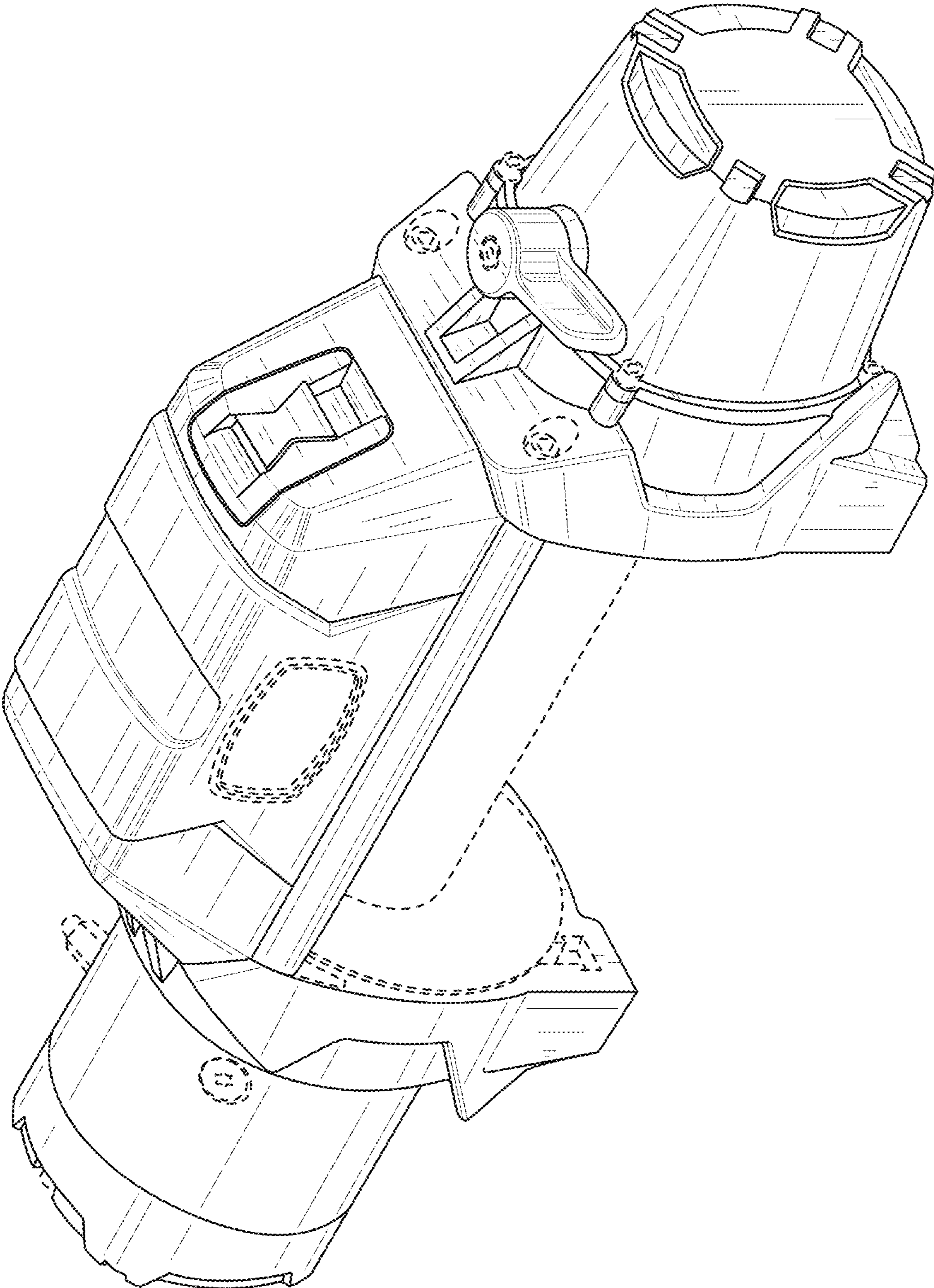


FIG. 1

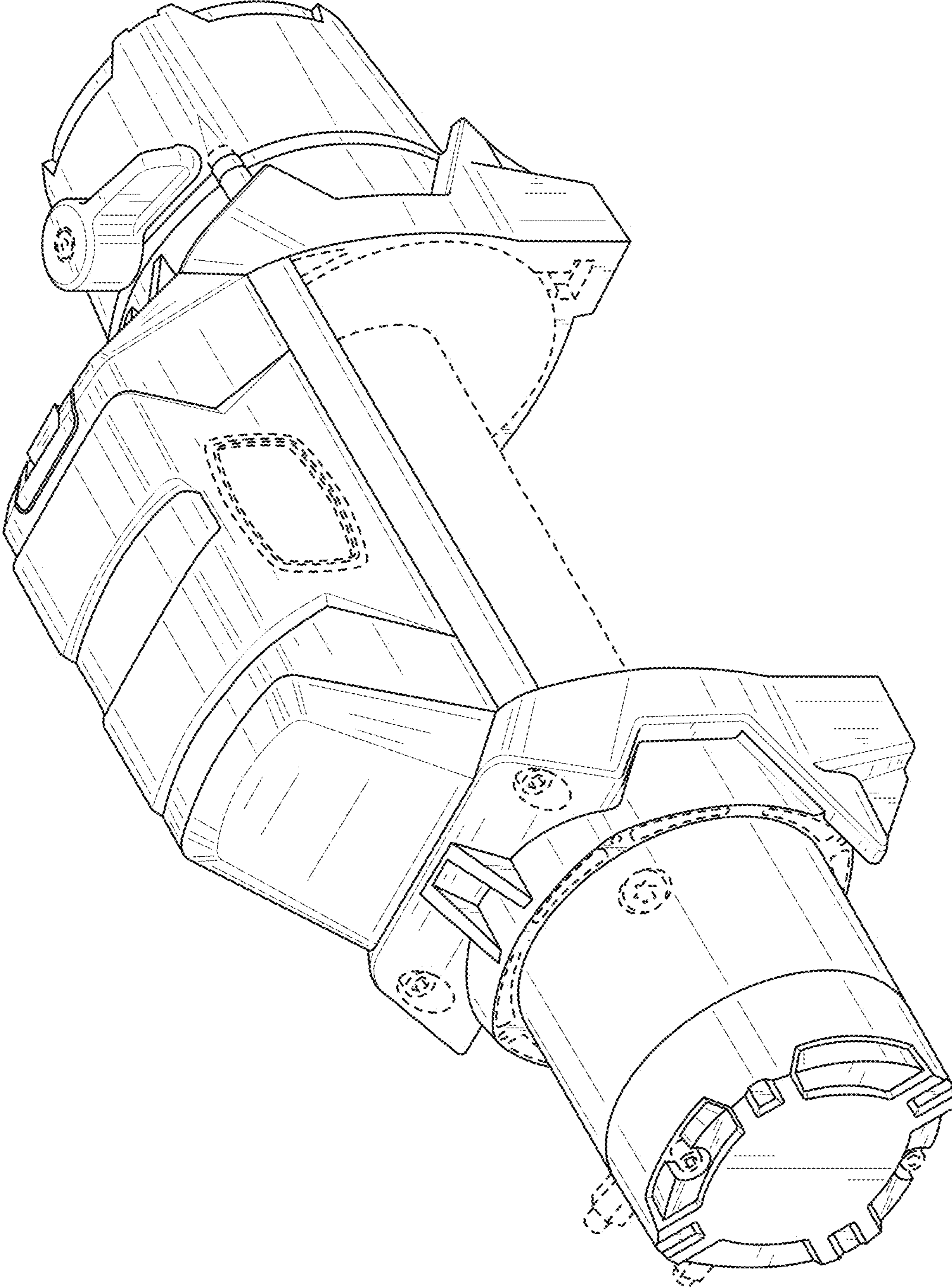


FIG. 2

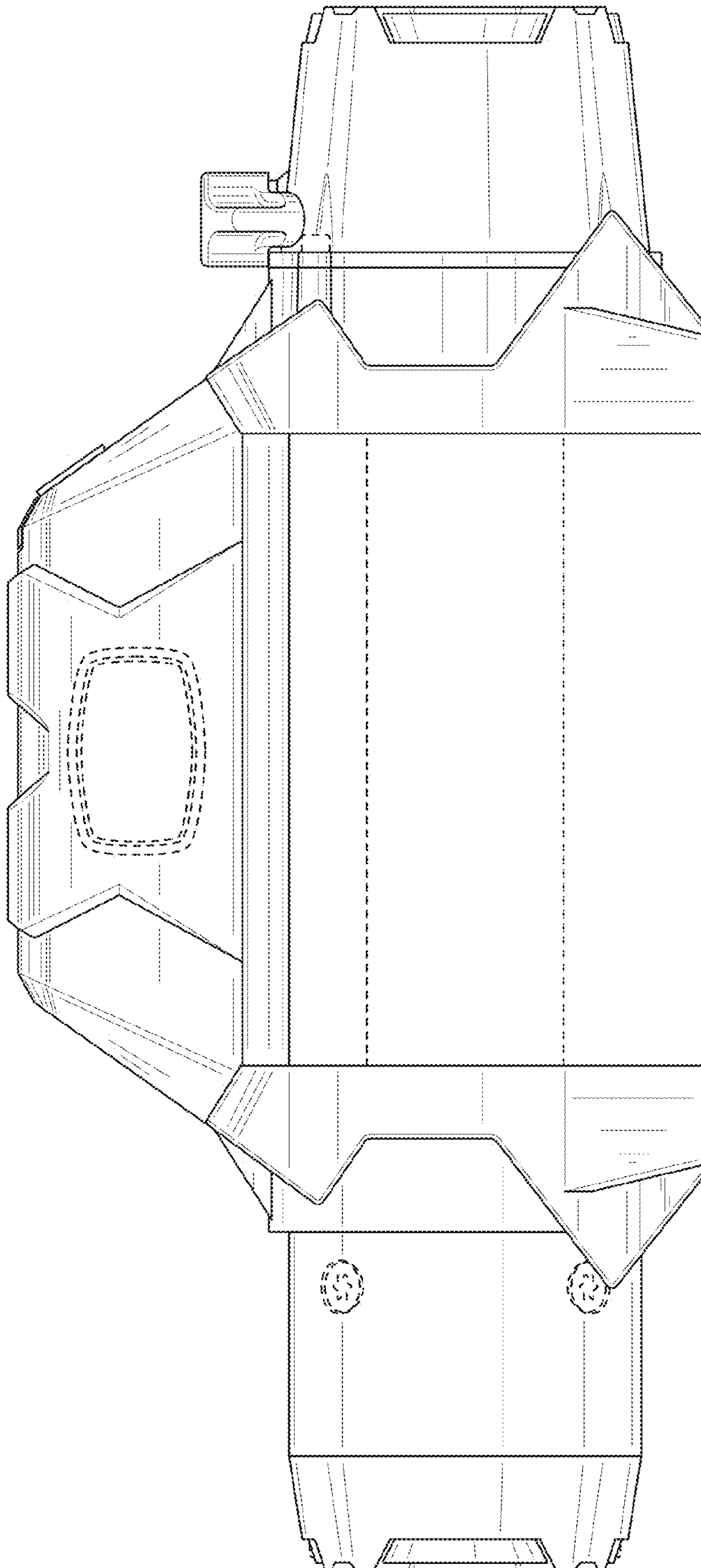


FIG. 3

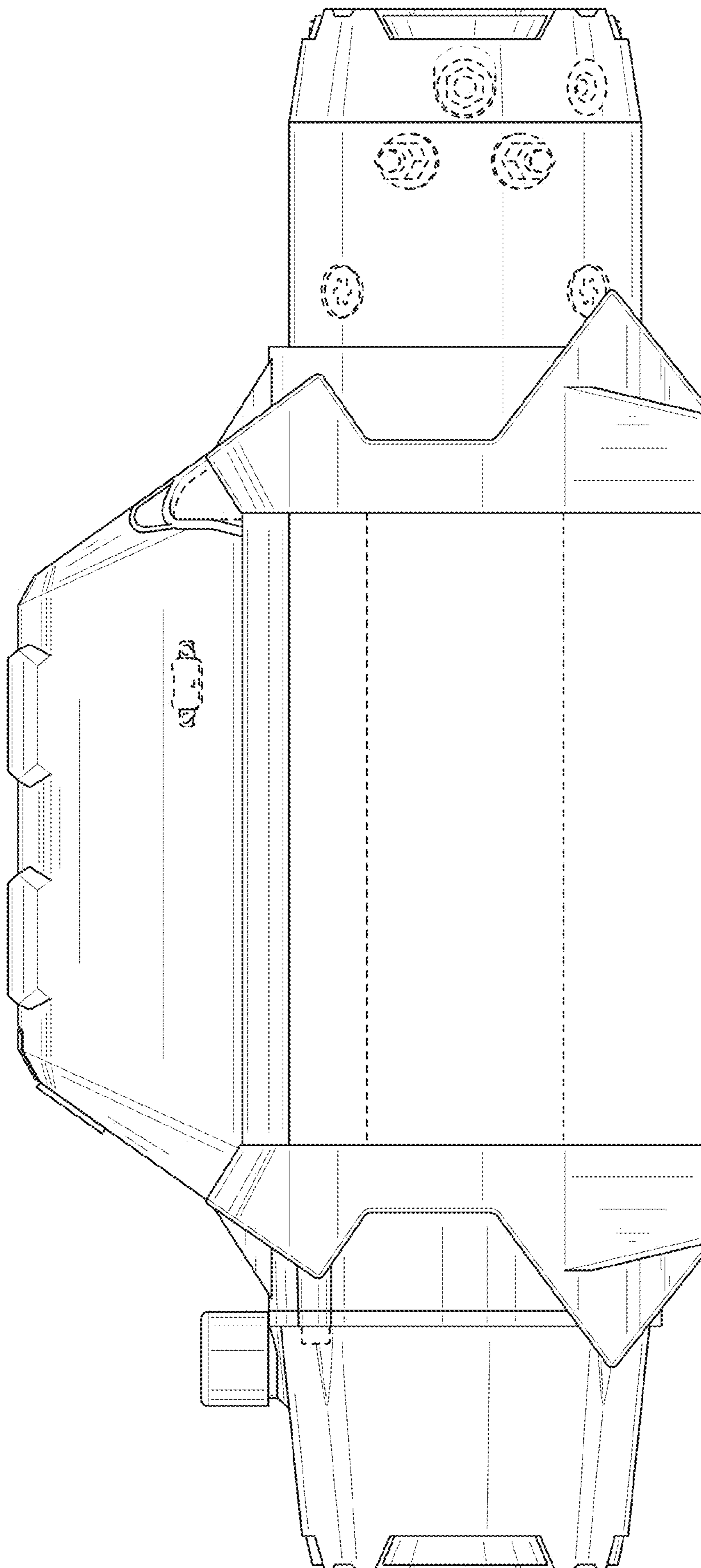


FIG. 4

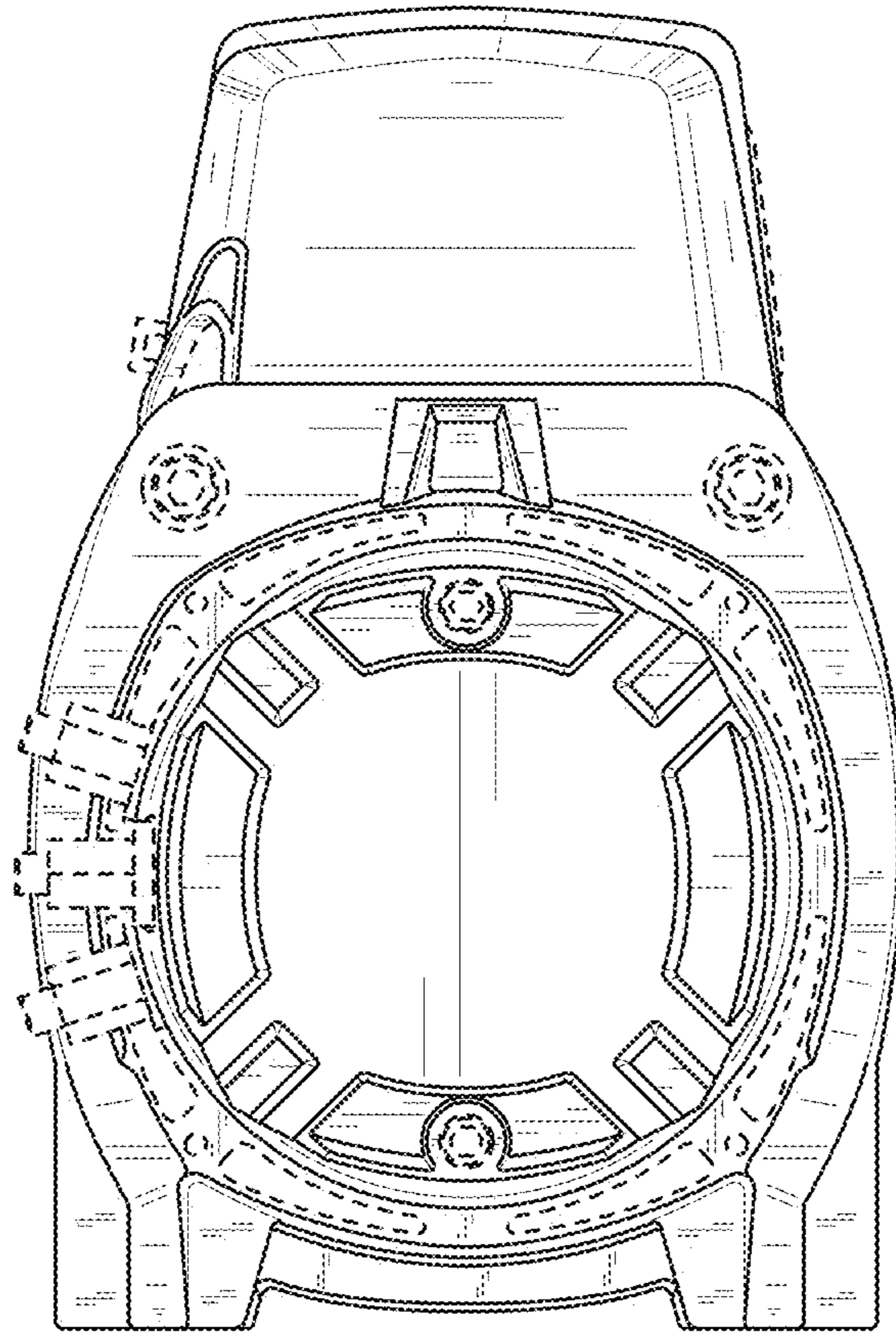


FIG. 5

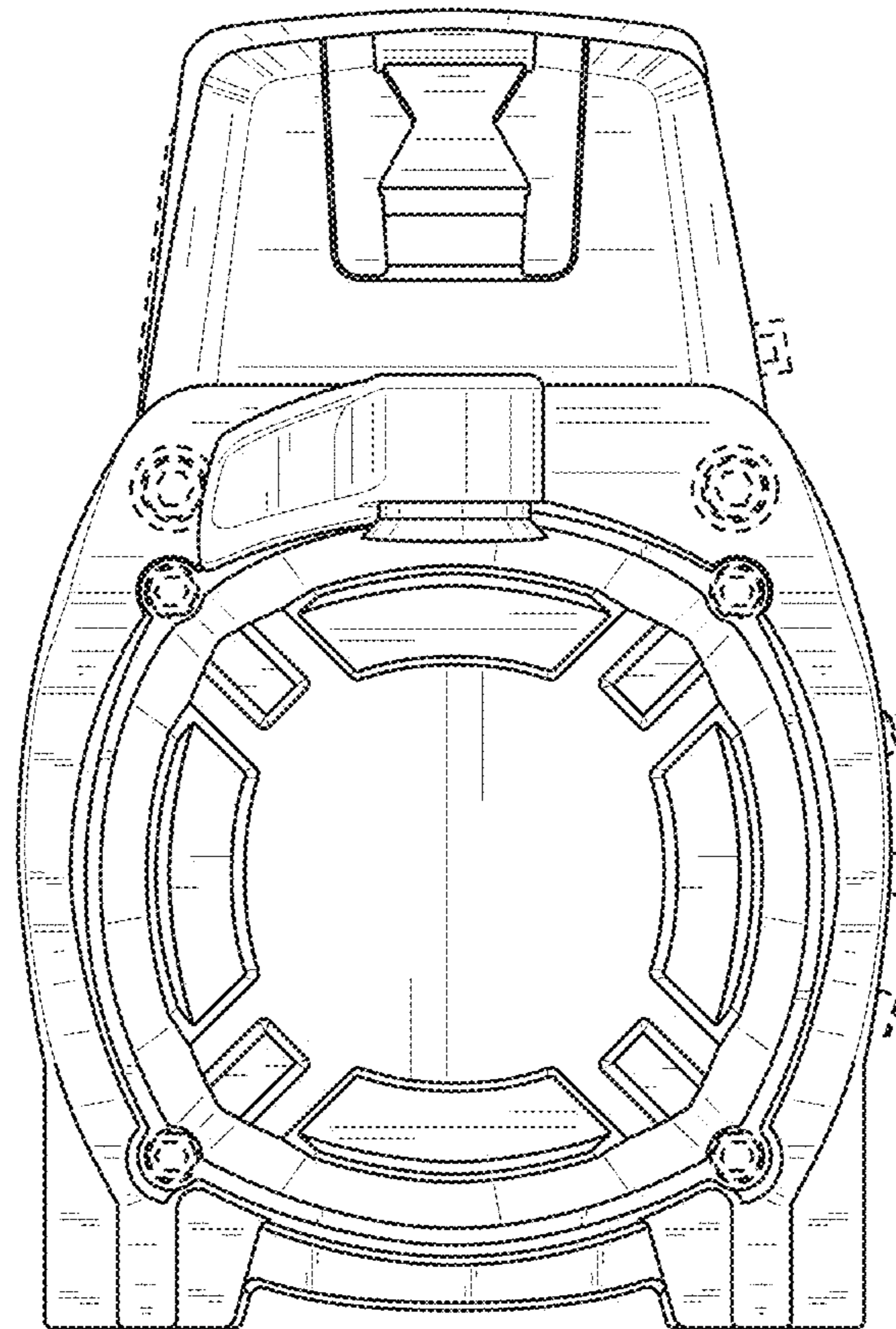


FIG. 6

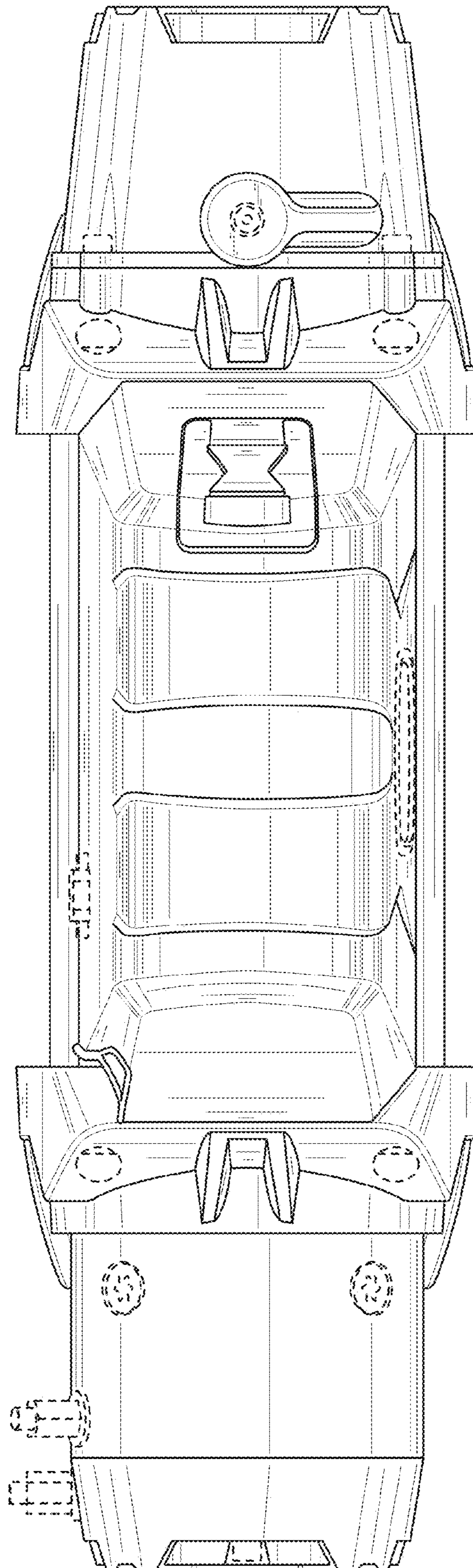


FIG. 7



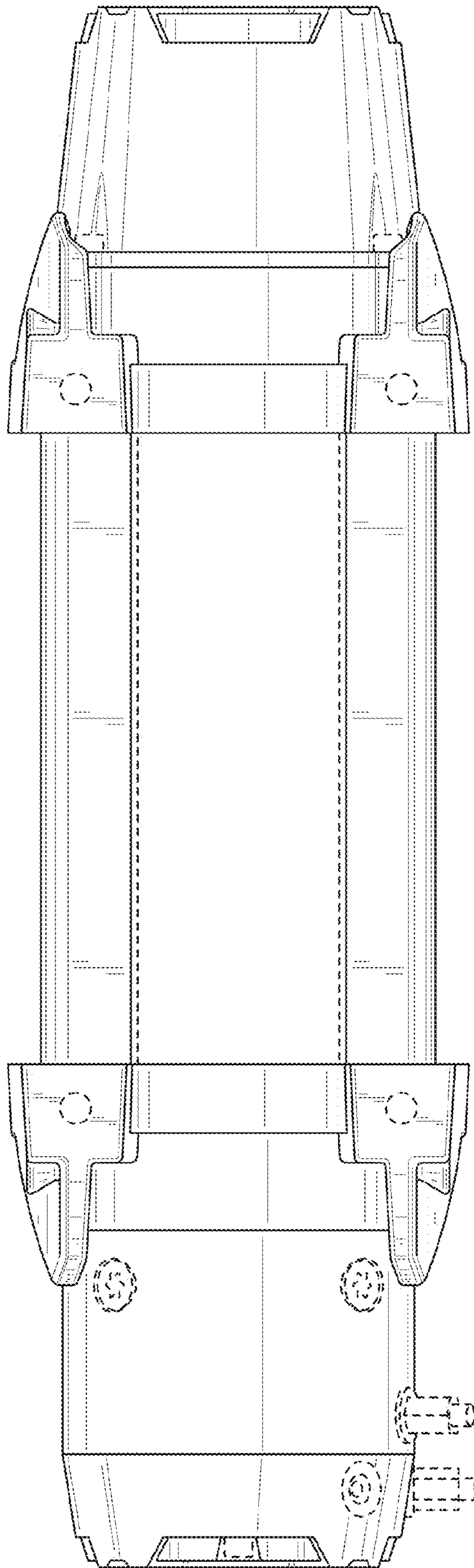


FIG. 8