



US00D950181S

(12) **United States Design Patent**  
**Bae et al.**

(10) **Patent No.:** **US D950,181 S**  
(45) **Date of Patent:** **\*\* \*Apr. 26, 2022**

(54) **IRONING BOARD**

(71) Applicant: **LG ELECTRONICS INC.**, Seoul (KR)

(72) Inventors: **Jaeil Bae**, Seoul (KR); **Kyutae Park**, Seoul (KR); **Kyungah Lee**, Seoul (KR); **Hoil Jeon**, Seoul (KR); **Youngsoo Ha**, Seoul (KR)

(73) Assignee: **LG ELECTRONICS INC.**, Seoul (KR)

(\*) Notice: This patent is subject to a terminal disclaimer.

(\*\*) Term: **15 Years**

(21) Appl. No.: **29/725,623**

(22) Filed: **Feb. 26, 2020**

(30) **Foreign Application Priority Data**

Aug. 27, 2019 (KR) ..... 30-2019-0040967

(51) **LOC (13) Cl.** ..... **07-05**

(52) **U.S. Cl.**  
USPC ..... **D32/66**

(58) **Field of Classification Search**

USPC ..... D32/6, 9, 12, 35, 66, 67; D21/526;  
D6/559, 663, 668, 691.1, 691.3, 691.4,  
D6/691.6

CPC ..... A47B 39/06; A47B 46/00; A47B 61/02;  
A47B 63/04; A47B 77/10; A47B 77/16;  
D06F 81/00; D06F 81/003; D06F 81/006;  
D06F 81/02; D06F 81/04; D06F 81/06;  
D06F 81/08; D06F 81/12; D06F 83/00;

(Continued)

(56) **References Cited**

**U.S. PATENT DOCUMENTS**

D19,852 S \* 5/1890 Hicks ..... D32/66  
D47,601 S \* 7/1915 Labadie ..... D3/274  
D124,329 S \* 12/1940 Parker ..... D32/66

(Continued)

**FOREIGN PATENT DOCUMENTS**

WO D206722-001 \* 8/2021  
WO D207428-001 \* 8/2021  
WO D207572-001 \* 8/2021

**OTHER PUBLICATIONS**

KAPAS Adjustable Garment Steamer, available in freestuff.cafe, announced May 5, 2021[online], [site visited Sep. 9, 2021], URL: <https://freestuff.cafe/deals/kapas-adjustable-garment-steamer-accessories-for-clothes-build-in-rotatable-ironing-board-21l-water-tank-8-ironing-options-for-different-clothes/> (Year: 2021).\*

(Continued)

*Primary Examiner* — Dana K Weiland

*Assistant Examiner* — Jennylou M Binas

(74) *Attorney, Agent, or Firm* — Birch, Stewart, Kolasch & Birch, LLP

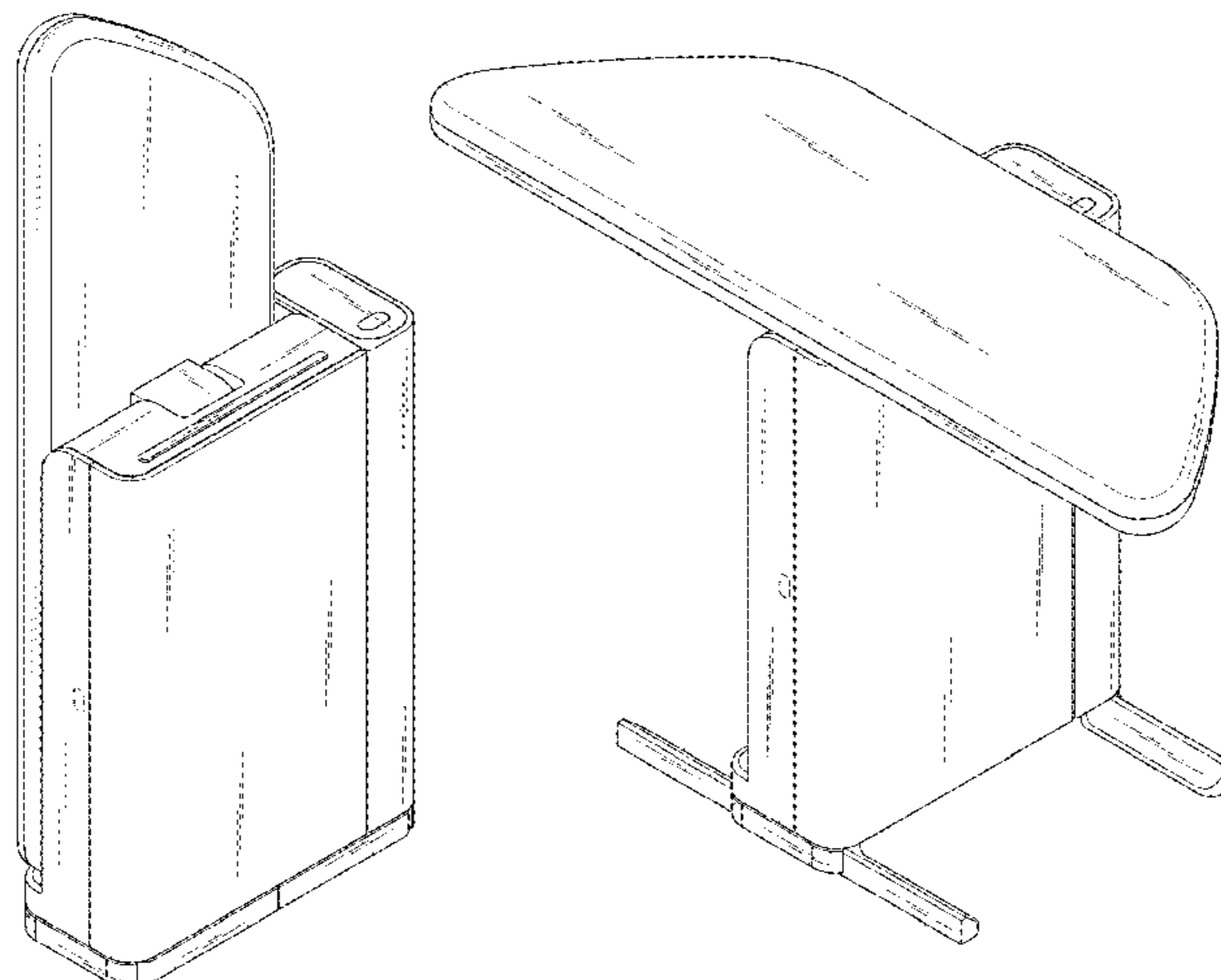
(57) **CLAIM**

We claim the ornamental design for an ironing board, as shown and described.

**DESCRIPTION**

FIG. 1 is a perspective view of an ironing board showing the new design;  
FIG. 2 is a front elevation view thereof;  
FIG. 3 is a rear elevation view thereof;  
FIG. 4 is a left-side elevation view thereof;  
FIG. 5 is a right-side elevation view thereof;  
FIG. 6 is a top plan view thereof;  
FIG. 7 is a bottom plan view thereof; and,  
FIG. 8 is a perspective view of the ironing board shown in an alternate configuration with the upper board vertically rotated parallel to the lower stand unfolded.  
The parts of the ironing board shown by means of broken lines in the drawing figures are not part of the claimed design.

**1 Claim, 8 Drawing Sheets**



- (58) **Field of Classification Search**  
 CPC ..... Y10S 38/00; Y10S 38/01; Y10S 38/02;  
                   Y10S 38/03; Y10T 292/305  
 See application file for complete search history.

D704,912 S *	5/2014	Gameiro .....	D32/66
D732,771 S *	6/2015	Chung .....	D32/25
D776,388 S *	1/2017	Hernandez .....	D32/66
D858,022 S *	8/2019	Wang .....	D32/66
D937,524 S *	11/2021	Park .....	D32/66
D939,170 S *	12/2021	Park .....	D32/66

(56) **References Cited**

U.S. PATENT DOCUMENTS

D142,261 S *	8/1945	Meyerhoefer .....	D32/66
D159,952 S *	9/1950	Buser .....	D32/66
2,523,425 A *	9/1950	Gargaglione .....	A47B 77/10 108/13
D167,456 S *	8/1952	Glassie et al. ....	D32/66
D182,902 S *	5/1958	Kemph .....	D32/66
D183,468 S *	9/1958	Turner .....	D32/66
D263,781 S *	4/1982	Pettersson .....	D32/66
D272,008 S *	12/1983	Flory .....	D32/66
D348,338 S *	6/1994	Stutzer .....	D32/66
D373,869 S *	9/1996	Stutzer .....	D32/66
D413,699 S *	9/1999	Evans .....	D32/37
D426,040 S *	5/2000	Wicky .....	D32/66
D468,139 S *	1/2003	Strong .....	D6/709.2
D520,207 S *	5/2006	Gross .....	D32/66
D543,671 S *	5/2007	Chu .....	D32/66
D543,672 S *	5/2007	Chu .....	D32/66
D546,515 S *	7/2007	Wicky .....	D32/66
D608,515 S *	1/2010	Park .....	D32/66

OTHER PUBLICATIONS

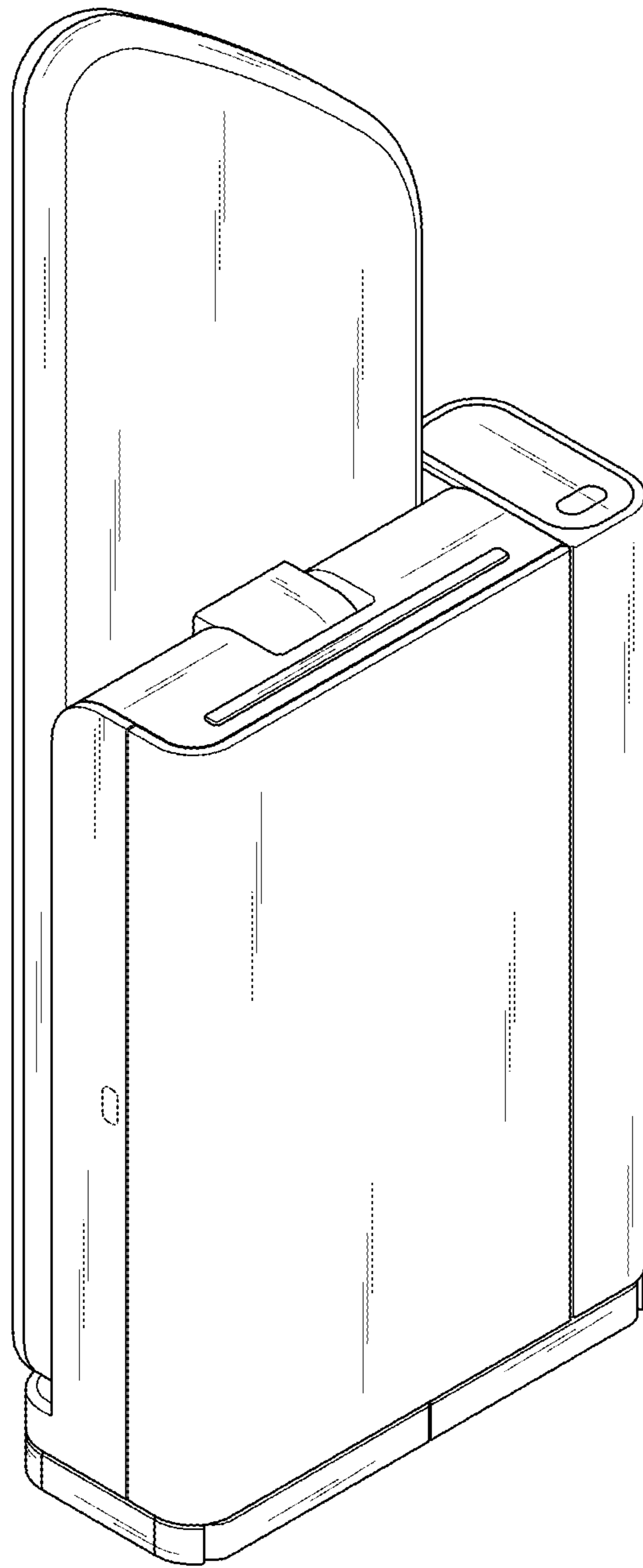
Miele B3847 Fashionmaster Ironing System,date 1st available Mar. 9, 2017[online],[site visited Sep. 9, 2021], Available from the internet URL: [https://www.amazon.ca/Miele-B3847-Fashionmaster-Ironing-System/dp/B01N705TG5/ref=sr\\_1\\_1?dchild=1&keywords=Miele+FashionMaster+Ironing+System&qid=1631218268&sr=8-1](https://www.amazon.ca/Miele-B3847-Fashionmaster-Ironing-System/dp/B01N705TG5/ref=sr_1_1?dchild=1&keywords=Miele+FashionMaster+Ironing+System&qid=1631218268&sr=8-1) (Year: 2017).\*

10 Best Ironing Boards to Buy in 2021, available in [www.goodhousekeeping.com](http://www.goodhousekeeping.com), announced May 24, 2021 [online], [site visited Nov. 16, 2020], Internet URL: <https://www.goodhousekeeping.com/home-products/g36343446/best-ironing-board/> (Year: 2021).\*

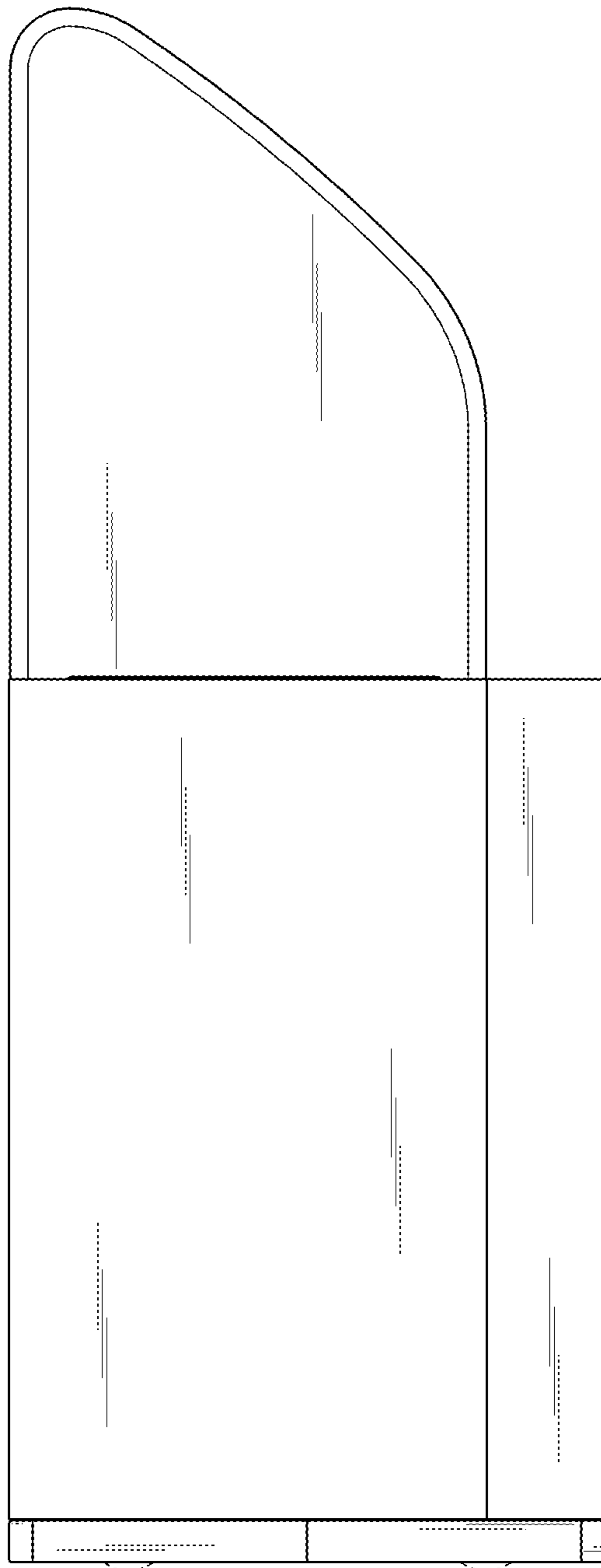
Flash Furniture Trapezoid Table,available in Amazon.com, date 1st available Mar. 26, 2012[online].[site visited Sep. 21, 2021],Available internet URL: [https://www.amazon.com/Flash-Furniture-Trapezoid-Laminate-Activity/dp/B00777WHJQ/ref=sr\\_1\\_1?dchild=1&keywords=B00777WHJQ&qid=1632242139&s=home-garden&sr=1-1](https://www.amazon.com/Flash-Furniture-Trapezoid-Laminate-Activity/dp/B00777WHJQ/ref=sr_1_1?dchild=1&keywords=B00777WHJQ&qid=1632242139&s=home-garden&sr=1-1) (Year: 2012).\*

\* cited by examiner

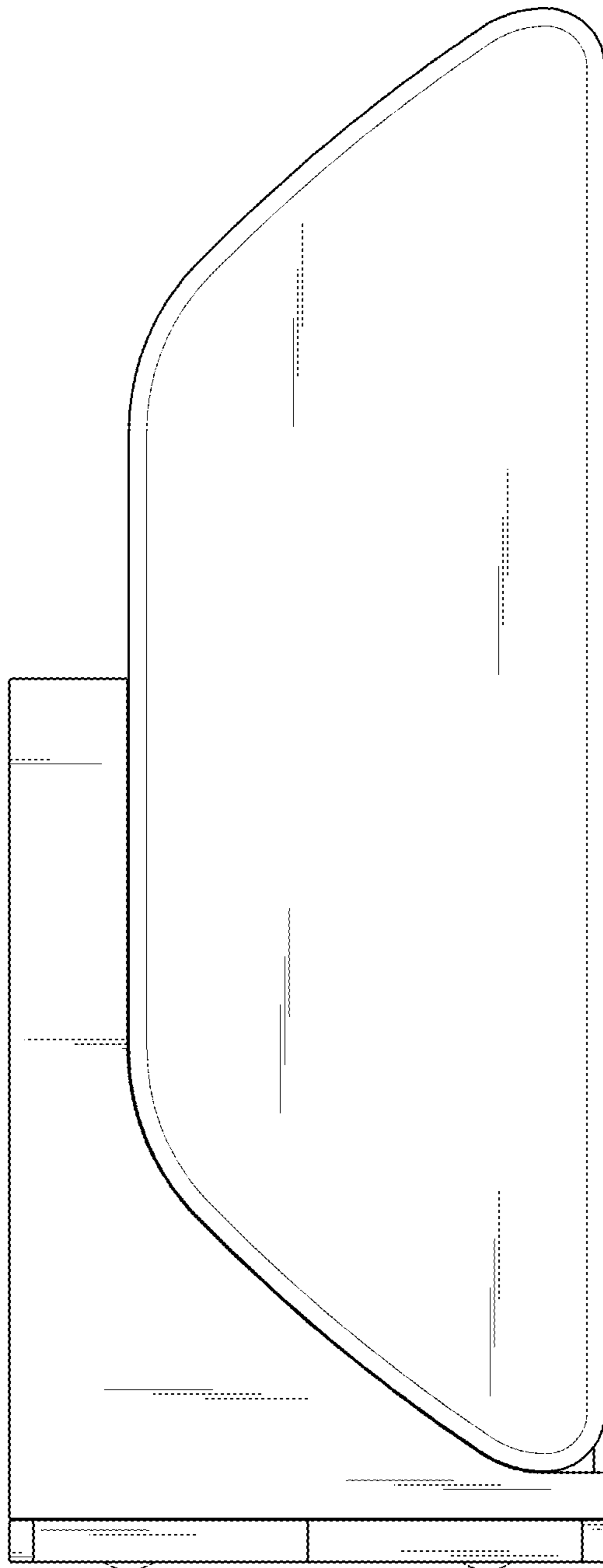
*FIG. 1*



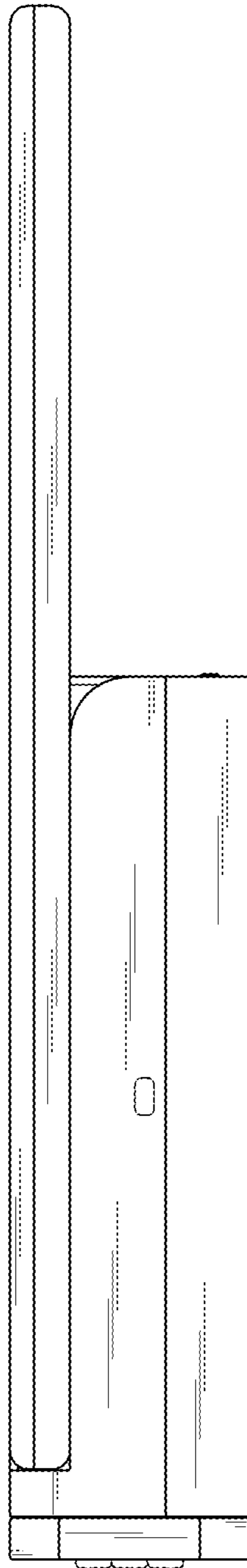
*FIG. 2*



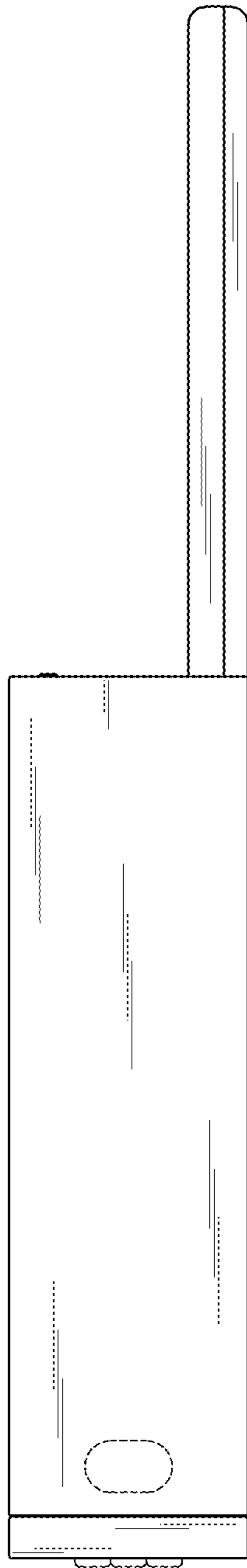
*FIG. 3*



*FIG. 4*

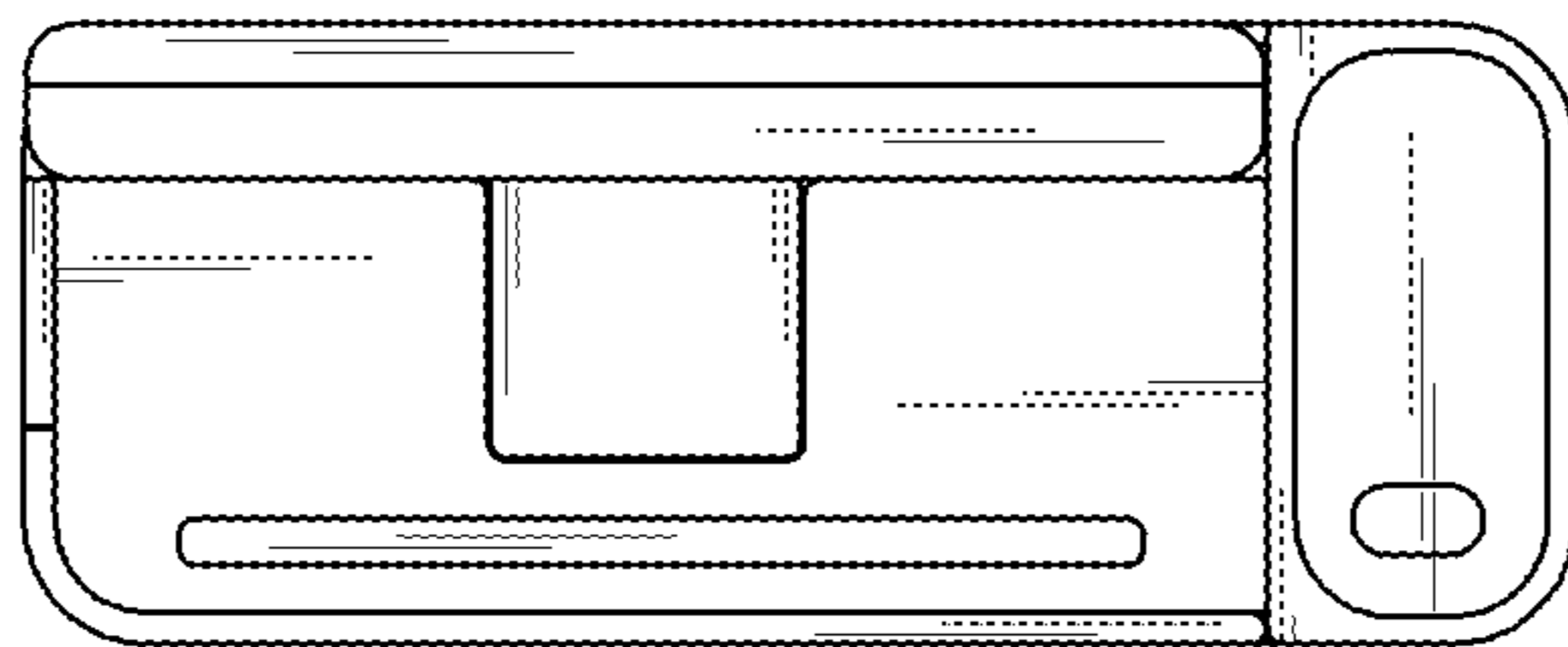


*FIG. 5*



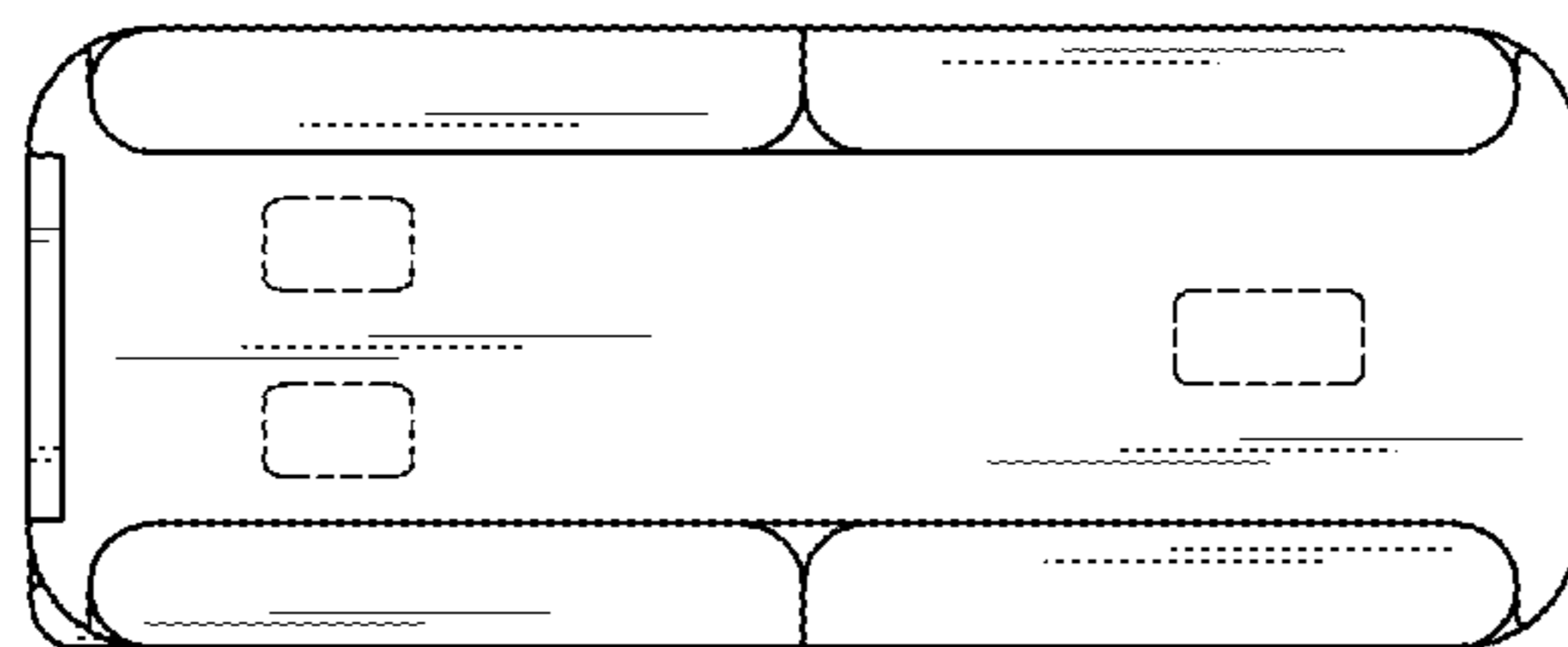


*FIG. 6*





*FIG. 7*



*FIG. 8*

