



US00D950180S

(12) **United States Design Patent**
Bae et al.

(10) **Patent No.: US D950,180 S**
(45) **Date of Patent: ** Apr. 26, 2022**

(54) **IRONING BOARD**

(71) Applicant: **LG ELECTRONICS INC.**, Seoul (KR)
(72) Inventors: **Jaecil Bae**, Seoul (KR); **Kyutae Park**, Seoul (KR); **Kyungah Lee**, Seoul (KR); **Hoil Jeon**, Seoul (KR); **Youngsoo Ha**, Seoul (KR)
(73) Assignee: **LG ELECTRONICS INC.**, Seoul (KR)
(**) Term: **15 Years**

(21) Appl. No.: **29/725,617**

(22) Filed: **Feb. 26, 2020**

(30) **Foreign Application Priority Data**

Aug. 27, 2019 (KR) 30-2019-0040966

(51) **LOC (13) Cl.** **07-05**

(52) **U.S. Cl.**
USPC **D32/66**

(58) **Field of Classification Search**
USPC D32/6, 9, 12, 35, 60, 66, 67; D21/526;
D6/559, 663, 668, 691.1, 691.3, 691.4,
D6/691.6

(Continued)

(56) **References Cited**

U.S. PATENT DOCUMENTS

D19,852 S * 5/1890 Hicks D32/66
D47,601 S * 7/1915 Labadie D3/274
(Continued)

FOREIGN PATENT DOCUMENTS

GB 3008808 * 8/2003
KR 301125776.0000 * 9/2021
(Continued)

OTHER PUBLICATIONS

10 Best Ironing Boards to Buy in 2021, available in www.goodhousekeeping.com, announced May 24, 2021 [online], [site visited Nov. 16, 2020], Internet URL: https://www.goodhousekeeping.com/home-products/g36343446/best-ironing-board/ (Year: 2021).*

(Continued)

Primary Examiner — Dana K Weiland
Assistant Examiner — Jennylou M Binas

(74) *Attorney, Agent, or Firm* — Birch, Stewart, Kolasch & Birch, LLP

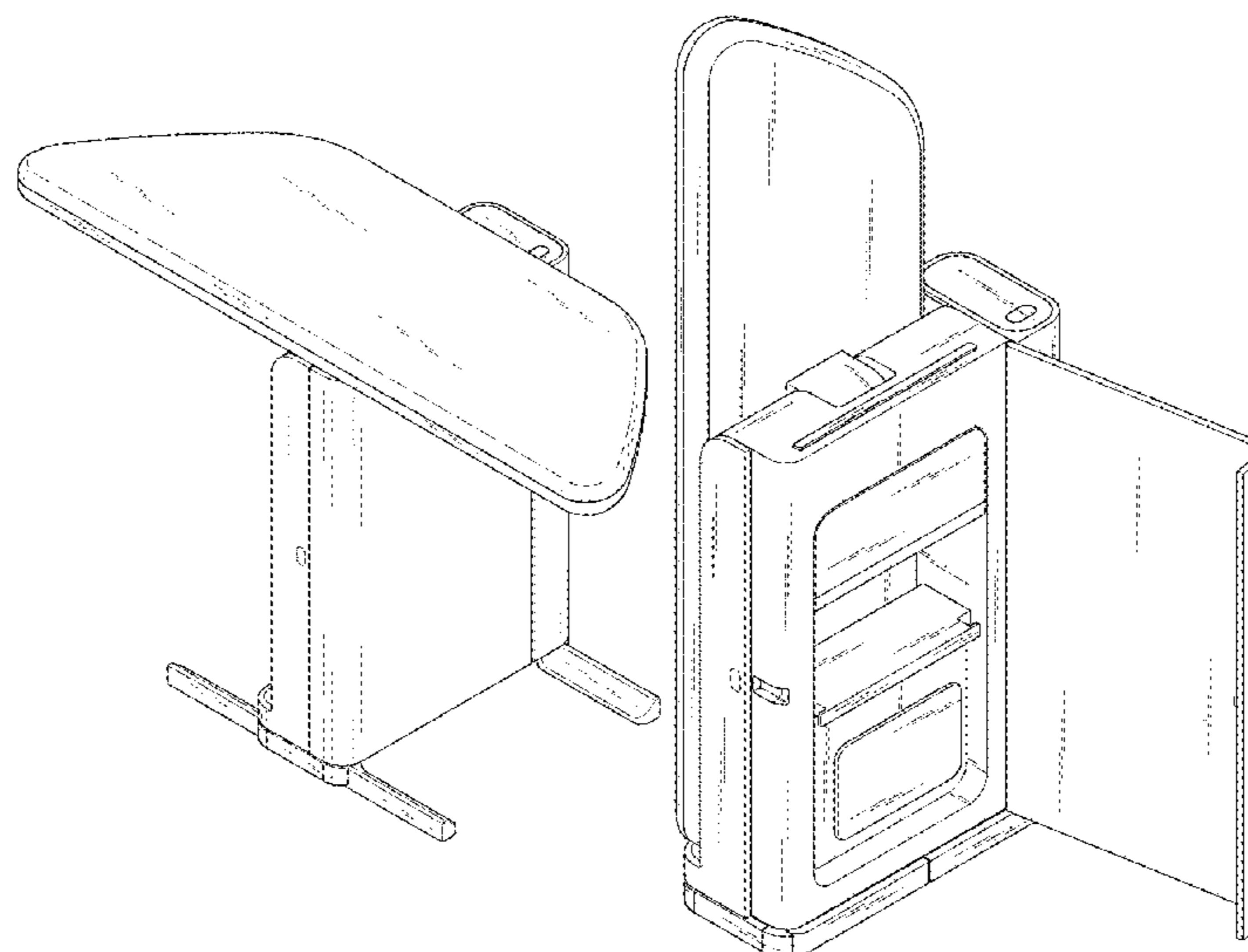
(57) **CLAIM**

We claim the ornamental design for an ironing board, as shown and described.

DESCRIPTION

FIG. 1 is a front perspective view of an ironing board showing the new design;
FIG. 2 is a rear perspective view thereof;
FIG. 3 is a left-side perspective view thereof;
FIG. 4 is a front elevation view thereof;
FIG. 5 is a rear elevation view thereof;
FIG. 6 is a left-side elevation view thereof;
FIG. 7 is a right-side elevation view thereof;
FIG. 8 is a top plan view thereof;
FIG. 9 is a bottom plan view thereof;
FIG. 10 is a perspective view of the ironing board shown in an alternate configuration with the upper board and lower stand folded; and,
FIG. 11 is a perspective view of the ironing board shown in an alternate configuration with the cover of the central support part opened.
The parts of the ironing board shown by means of broken lines in the drawing figures are not part of the claimed design.

1 Claim, 11 Drawing Sheets



(58) **Field of Classification Search**

CPC A47B 39/06; A47B 46/00; A47B 61/02;
 A47B 63/04; A47B 77/10; A47B 77/16;
 D06F 81/00; D06F 81/003; D06F 81/006;
 D06F 81/02; D06F 81/04; D06F 81/06;
 D06F 81/08; D06F 81/12; D06F 83/00;
 Y10S 38/00; Y10S 38/01; Y10S 38/02;
 Y10S 38/03; Y10T 292/305

See application file for complete search history.

D936,320 S * 11/2021 Bae D32/66
 D937,524 S * 11/2021 Park D32/66
 D939,170 S * 12/2021 Park D32/66

FOREIGN PATENT DOCUMENTS

WO D206411-001 * 8/2021
 WO D206451-001 * 8/2021
 WO D206722-001 * 8/2021
 WO D207428-001 * 8/2021
 WO D207572-001 * 8/2021

(56)

References Cited

U.S. PATENT DOCUMENTS

D124,329 S * 12/1940 Parker D32/66
 D142,261 S * 8/1945 Meyerhoefer D32/66
 D159,952 S * 9/1950 Buser D32/66
 2,523,425 A * 9/1950 Gargaglione A47B 77/10
 108/13
 D167,456 S * 8/1952 Glassie et al. D32/66
 D182,902 S * 5/1958 Kempf D32/66
 D183,468 S * 9/1958 Turner D32/66
 D263,781 S * 4/1982 Pettersson D32/66
 D272,008 S * 12/1983 Flory D32/66
 D334,491 S * 4/1993 Poland D6/663
 D348,338 S * 6/1994 Stutzer D32/66
 D367,196 S * 2/1996 Mashal D6/559
 D373,869 S * 9/1996 Stutzer D32/66
 D374,364 S * 10/1996 Morris D6/559
 D413,699 S * 9/1999 Evans D32/37
 D426,040 S * 5/2000 Wicky D32/66
 D468,139 S * 1/2003 Strong D6/709.2
 D476,782 S * 7/2003 Huddleston D32/6
 D497,069 S * 10/2004 Aisley D6/559
 D520,207 S * 5/2006 Gross D32/66
 D543,671 S * 5/2007 Chu D32/66
 D543,672 S * 5/2007 Chu D32/66
 D545,103 S * 6/2007 Shapiro D6/559
 D546,515 S * 7/2007 Wicky D32/66
 D608,515 S * 1/2010 Park D32/66
 D638,592 S * 5/2011 Suh D32/8
 D704,912 S * 5/2014 Gameiro D32/66
 D732,771 S * 6/2015 Chung D32/25
 D776,388 S * 1/2017 Hernandez D32/66
 D836,271 S * 12/2018 Chung D32/6
 D858,022 S * 8/2019 Wang D32/66
 D908,401 S * 1/2021 Jenkins D6/656.17

OTHER PUBLICATIONS

Boahaus 5202 Ironing Board Cabinet Assembly, announced in YouTube on Oct. 4, 2018 [online], [site visited Sep. 13, 2021], Available from the internet URL: <https://www.youtube.com/watch?v=x9ZPL1KPJMM> (Year: 2018).*

Kapas Adjustable Garment Steamer, available in freestuff.cafe, announced May 5, 2021[online], [site visited Sep. 9, 2021], URL: <https://freestuff.cafe/deals/kapas-adjustable-garment-steamer-accessories-for-clothes-build-in-rotatable-ironing-board-21l-water-tank-8-ironing-options-for-different-clothes/> (Year: 2021).*

ImPress Ironing Station, announced 2002 [online], [site visited Sep. 13, 2021], Available from the internet, URL: https://applianceassistant.com/ServiceManuals/8178203_I-73_whirlpool_impress_ironing_station.pdf (Year: 2002).*

Miele B3847 Fashionmaster Ironing System, date 1st available Mar. 9, 2017[online],[site visited Sep. 9, 2021], Available from the internet URL: https://www.amazon.ca/Miele-B3847-Fashionmaster-Ironing-System/dp/B01N705TG5/ref=sr_1_1?dchild=1&keywords=Miele+FashionMaster+Ironing+System&qid=1631218268&sr=8-1 (Year: 2017).*

Flash Furniture Trapezoid Table, available in Amazon.com, date 1st available Mar. 26, 2012[online],[site visited Sep. 21, 2021], Available internet URL: https://www.amazon.com/Flash-Furniture-Trapezoid-Laminate-Activity/dp/B00777WHJQ/ref=sr_1_1?dchild=1&keywords=B00777WHJQ&qid=1632242139&s=home-garden&sr=1-1 (Year: 2012).*

Giantex Top Loading Water Dispenser with storage cabinet, available in Amazon.com, date 1st available Sep. 8, 2016[online],[site visited Sep. 8, 2021], Available from the internet URL: https://www.amazon.com/Giantex-Loading-Dispenser-Temperature-Electric/dp/B0732HQL7X/ref=cm_cr_arp_d_product_top?ie=UTF8 (Year: 2016).*

* cited by examiner

FIG. 1

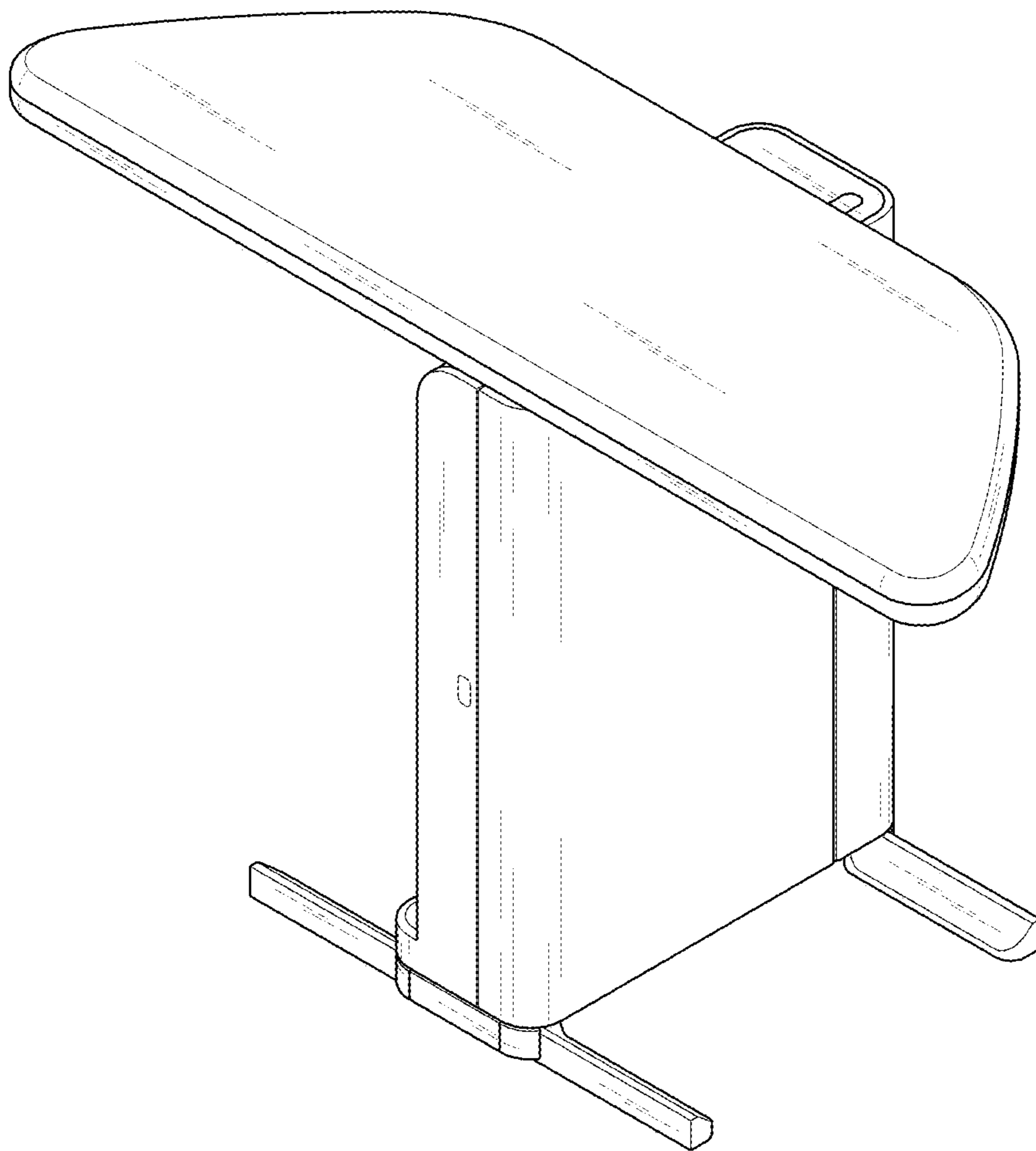


FIG. 2

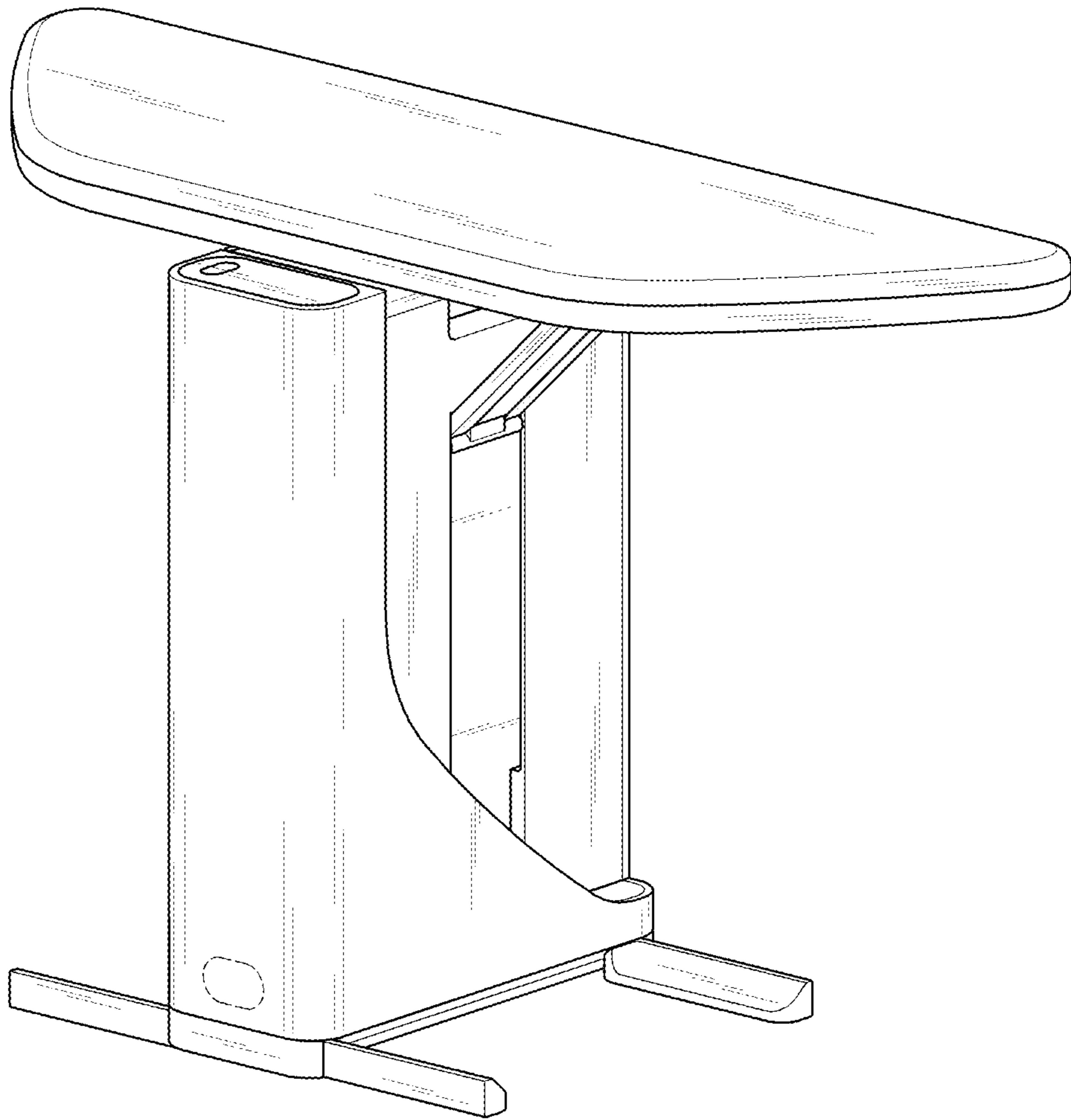


FIG. 3

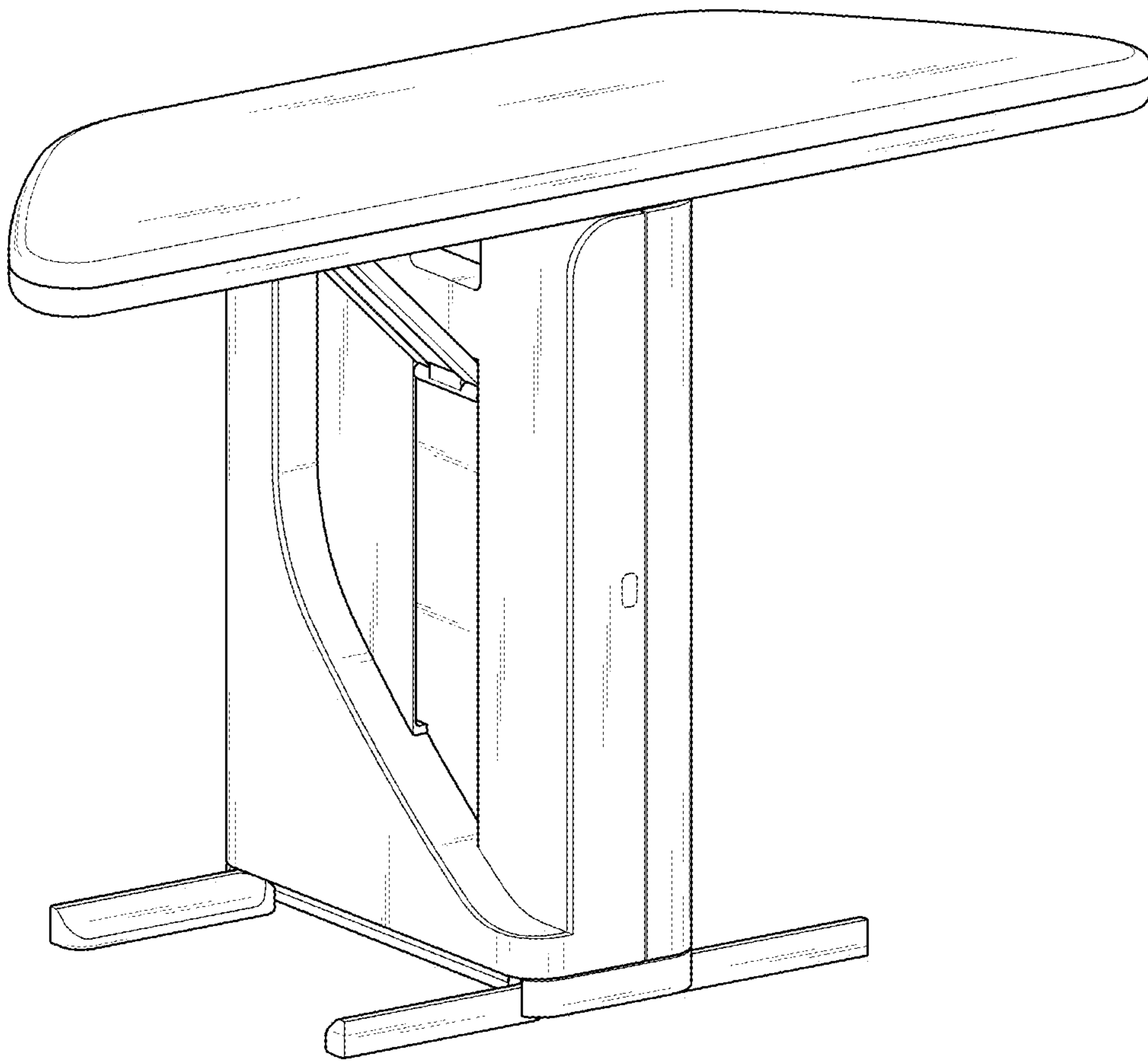


FIG. 4

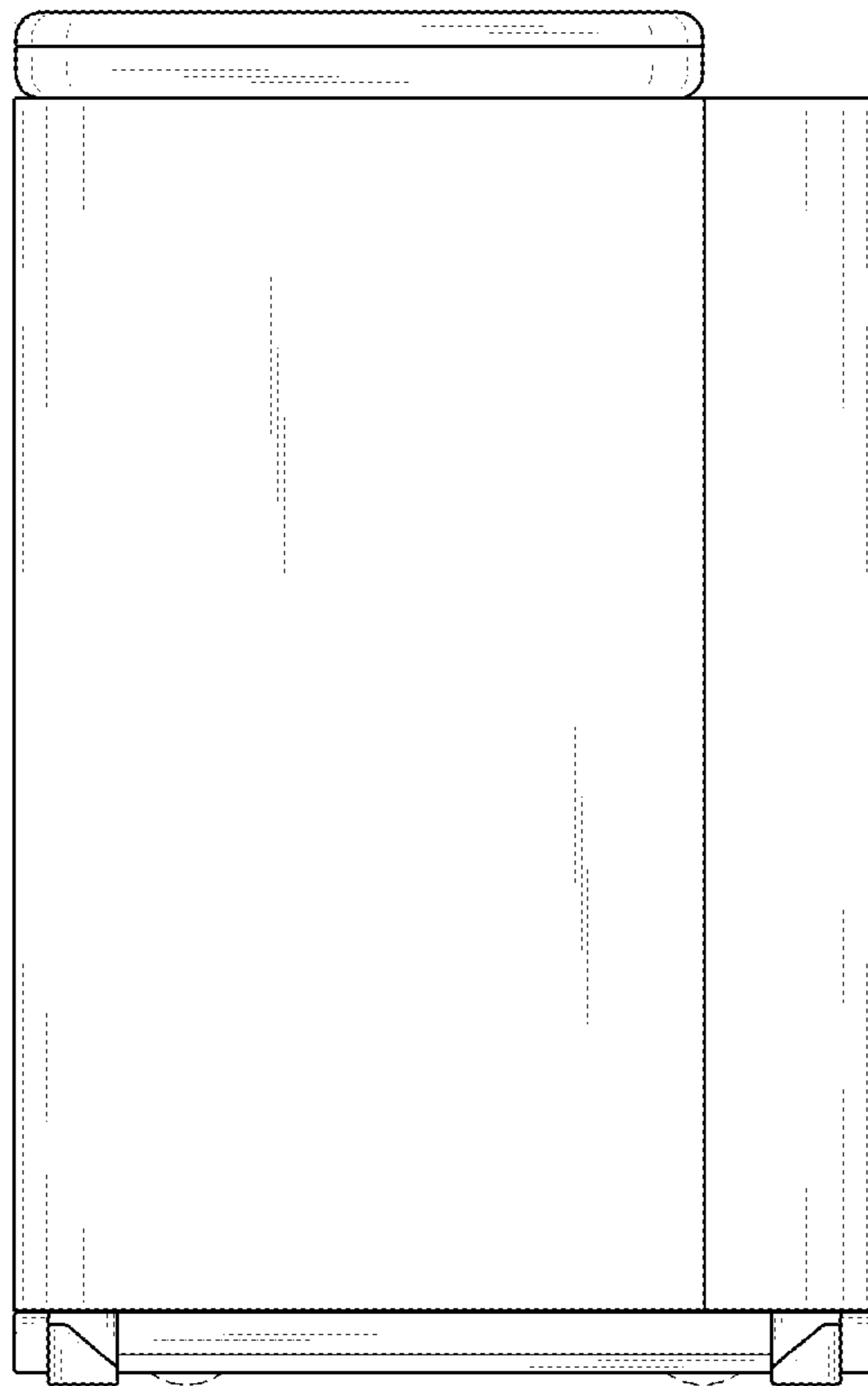


FIG. 5

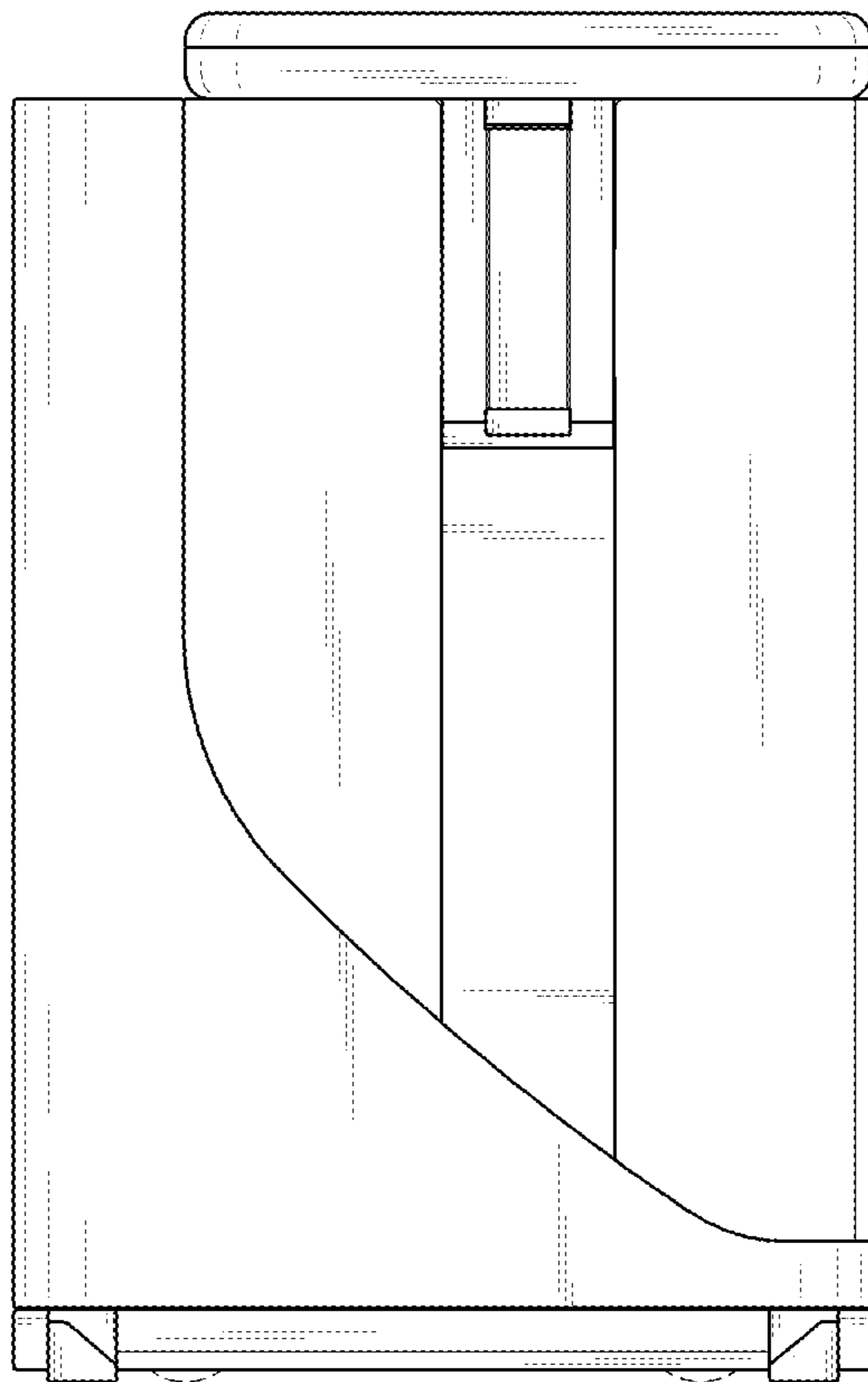


FIG. 6

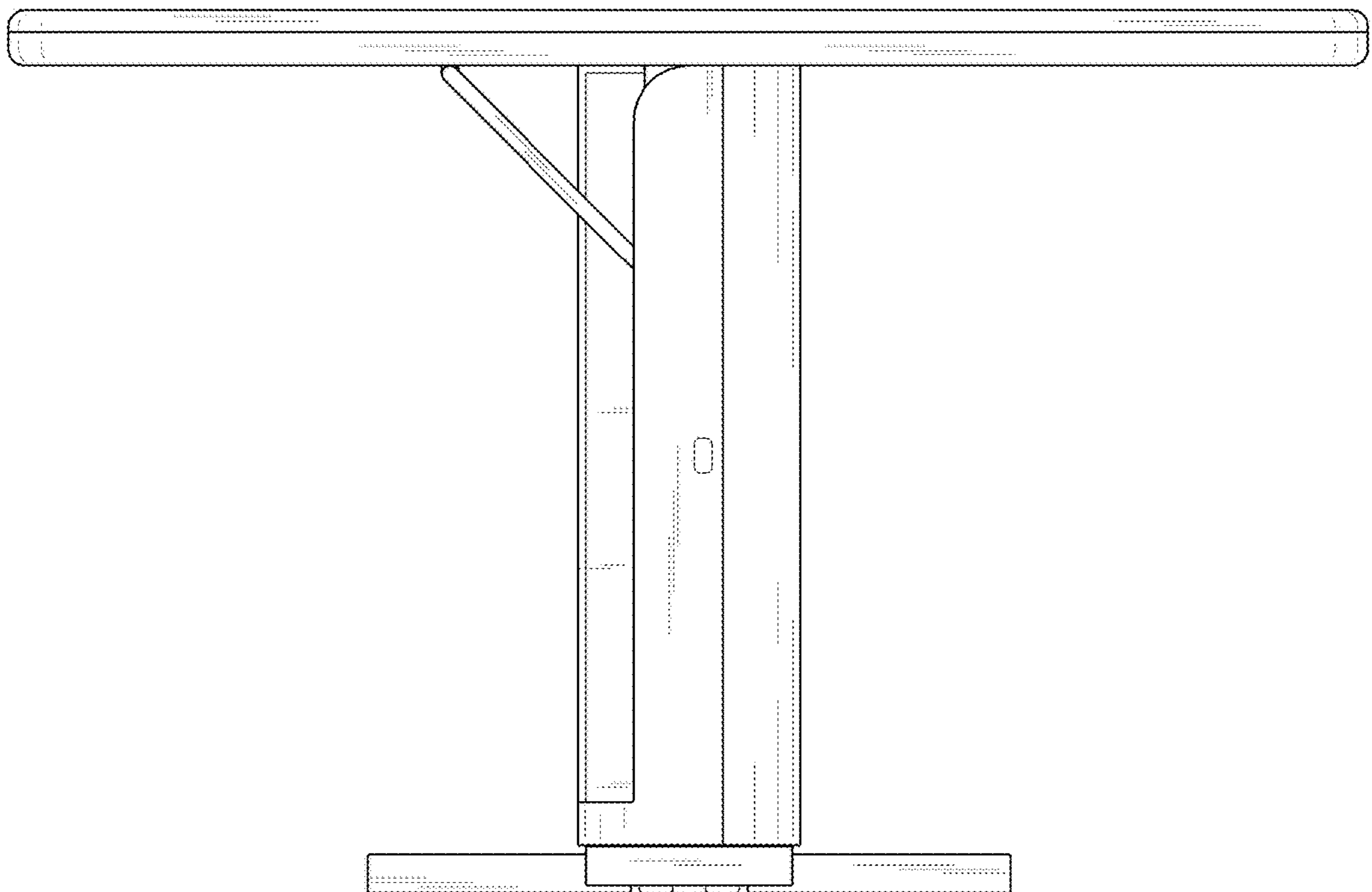


FIG. 7

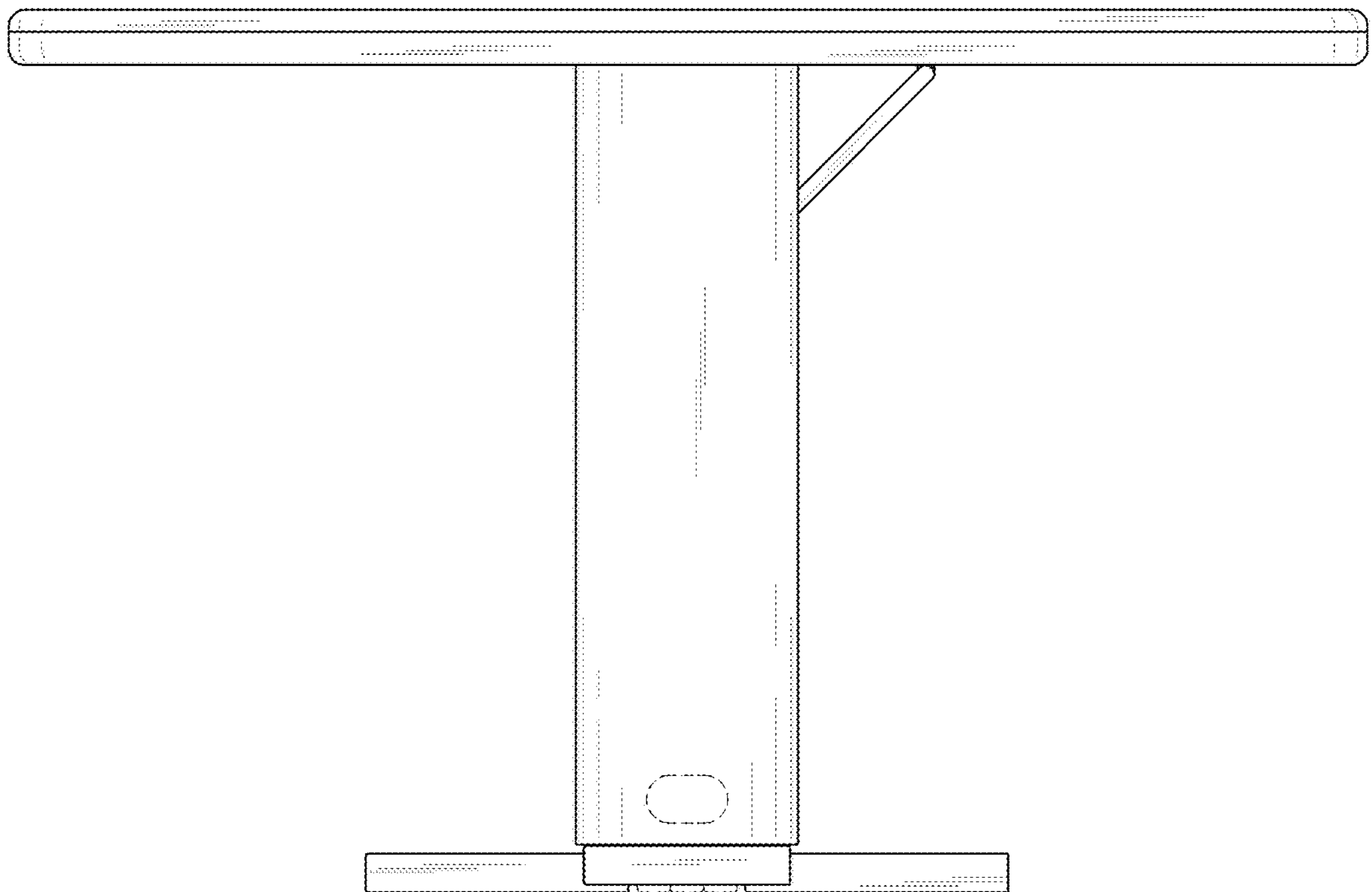


FIG. 8

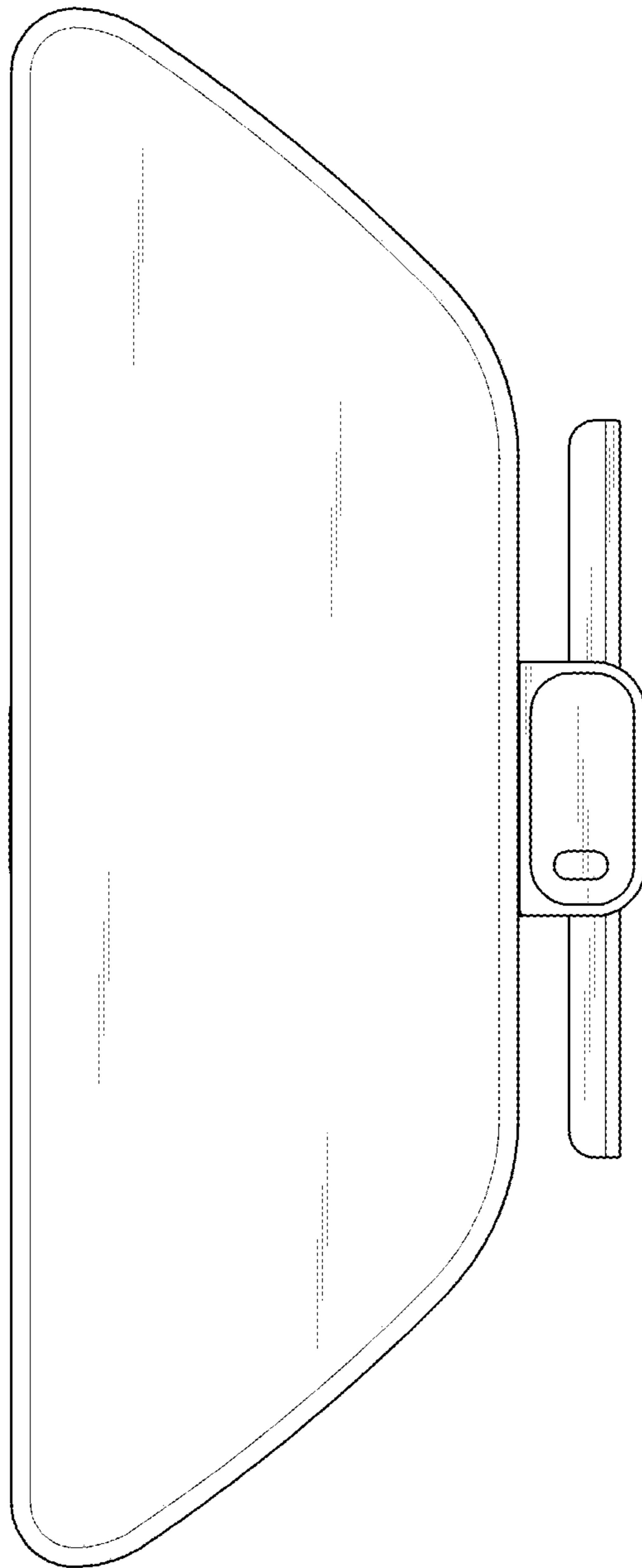


FIG. 9

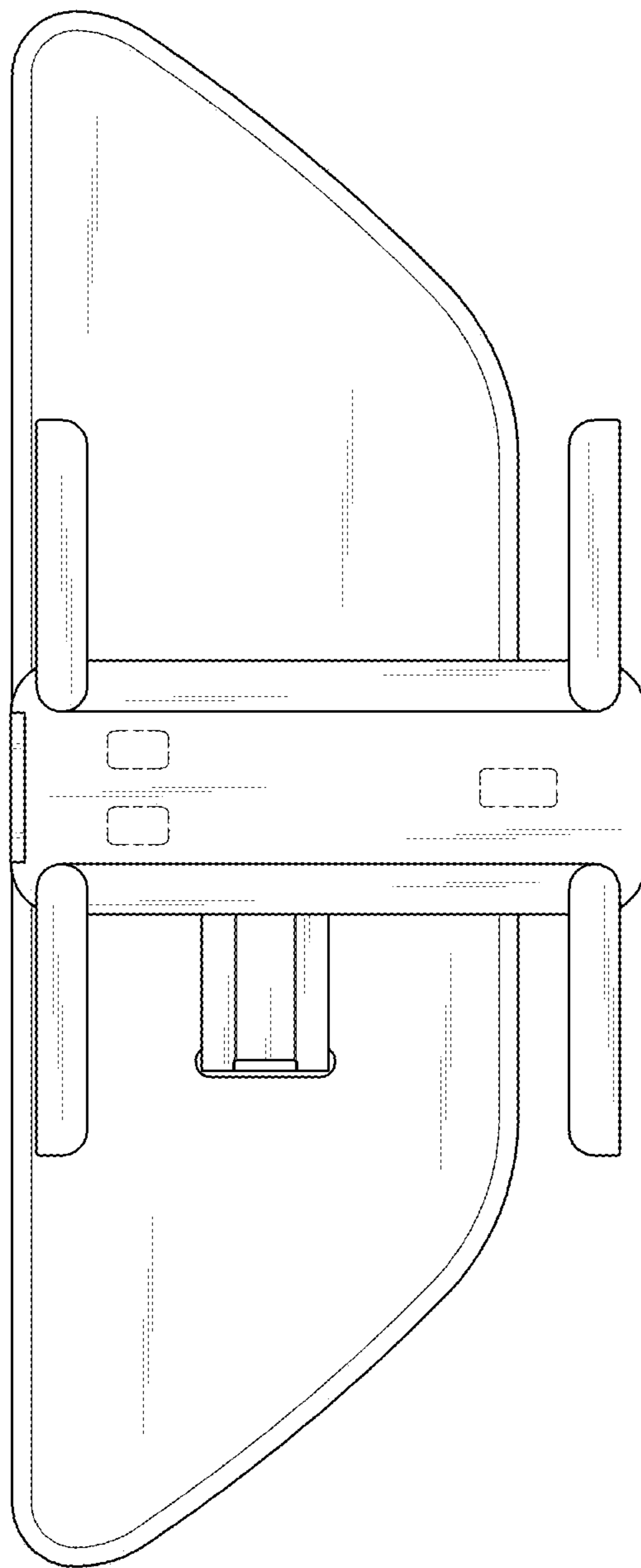


FIG. 10

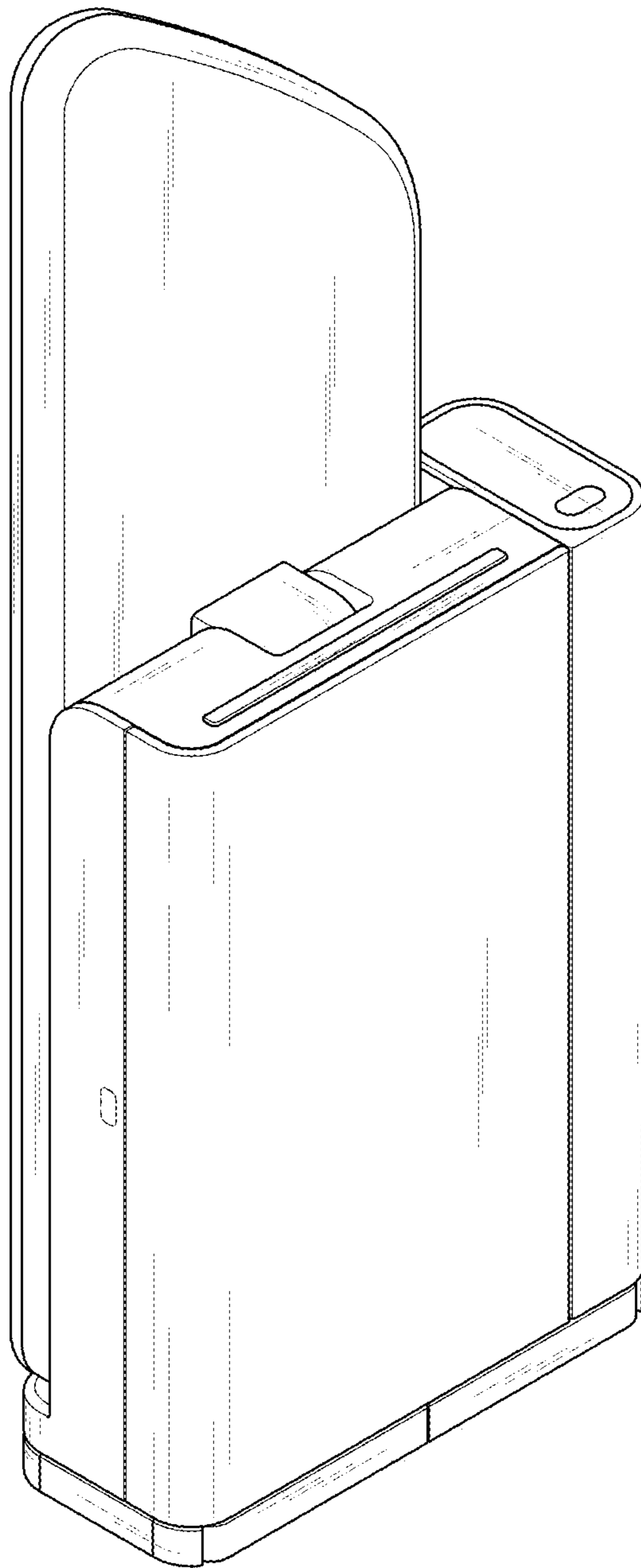


FIG. 11

