



US00D950179S

(12) **United States Design Patent** (10) **Patent No.:** **US D950,179 S**
Buckley (45) **Date of Patent:** **** Apr. 26, 2022**

(54) **ICE SCRAPER**
(71) Applicant: **Unger Marketing International, LLC**,
Bridgeport, CT (US)
(72) Inventor: **James M. Buckley**, New Hartford, CT
(US)
(73) Assignee: **UNGER MARKETING**
INTERNATIONAL, LLC, Bridgeport,
CT (US)
(**) Term: **15 Years**

(21) Appl. No.: **29/735,041**
(22) Filed: **May 18, 2020**
(51) **LOC (13) Cl.** **07-05**
(52) **U.S. Cl.**
USPC **D32/46**
(58) **Field of Classification Search**
USPC D32/40-43, 45-46; D4/116, 118
CPC B44D 3/16; A47L 17/06; A47L 13/022;
A47L 1/06; B43L 1/00
See application file for complete search history.

(56) **References Cited**

U.S. PATENT DOCUMENTS

4,164,801	A *	8/1979	Thomas	B60S 3/045
					15/236.02
4,275,476	A *	6/1981	Hopkins	B60S 3/045
					15/236.02
D279,415	S *	6/1985	Osrow	D26/38
D292,532	S	10/1987	Strongwater		
D335,771	S *	5/1993	Mallory	D32/42
D372,349	S *	7/1996	Adair	D32/46
D392,784	S *	3/1998	Hellinger	D32/49
D394,923	S *	6/1998	Hellinger	D32/46
D415,325	S *	10/1999	Hellinger	D32/46
D422,125	S *	3/2000	Sneed	D32/49
D459,847	S	7/2002	Ingram		
D542,490	S	5/2007	Barnes, Jr. et al.		
D544,162	S	6/2007	Uffner et al.		

7,469,444	B1 *	12/2008	Thomas	A47L 1/16
					15/172
D617,967	S *	6/2010	Lambert	D32/46
D652,593	S	1/2012	Wu		
D771,891	S *	11/2016	Bennett	D32/46
D787,830	S *	5/2017	Jack	D4/116
D788,394	S	5/2017	Bo		
D838,493	S *	1/2019	Thuma	D4/118
D841,918	S	2/2019	Tschopp		

(Continued)

FOREIGN PATENT DOCUMENTS

WO 02078507 A1 10/2002

OTHER PUBLICATIONS

Tractor Supply website reviews 2017, site visited Dec. 15, 2021, https://www.tractorsupply.com/tsc/product/subzero-60-in-quick-lock-pivoting-snowbroom.*

Primary Examiner — John R Yeh
(74) *Attorney, Agent, or Firm* — Cantor Colburn LLP

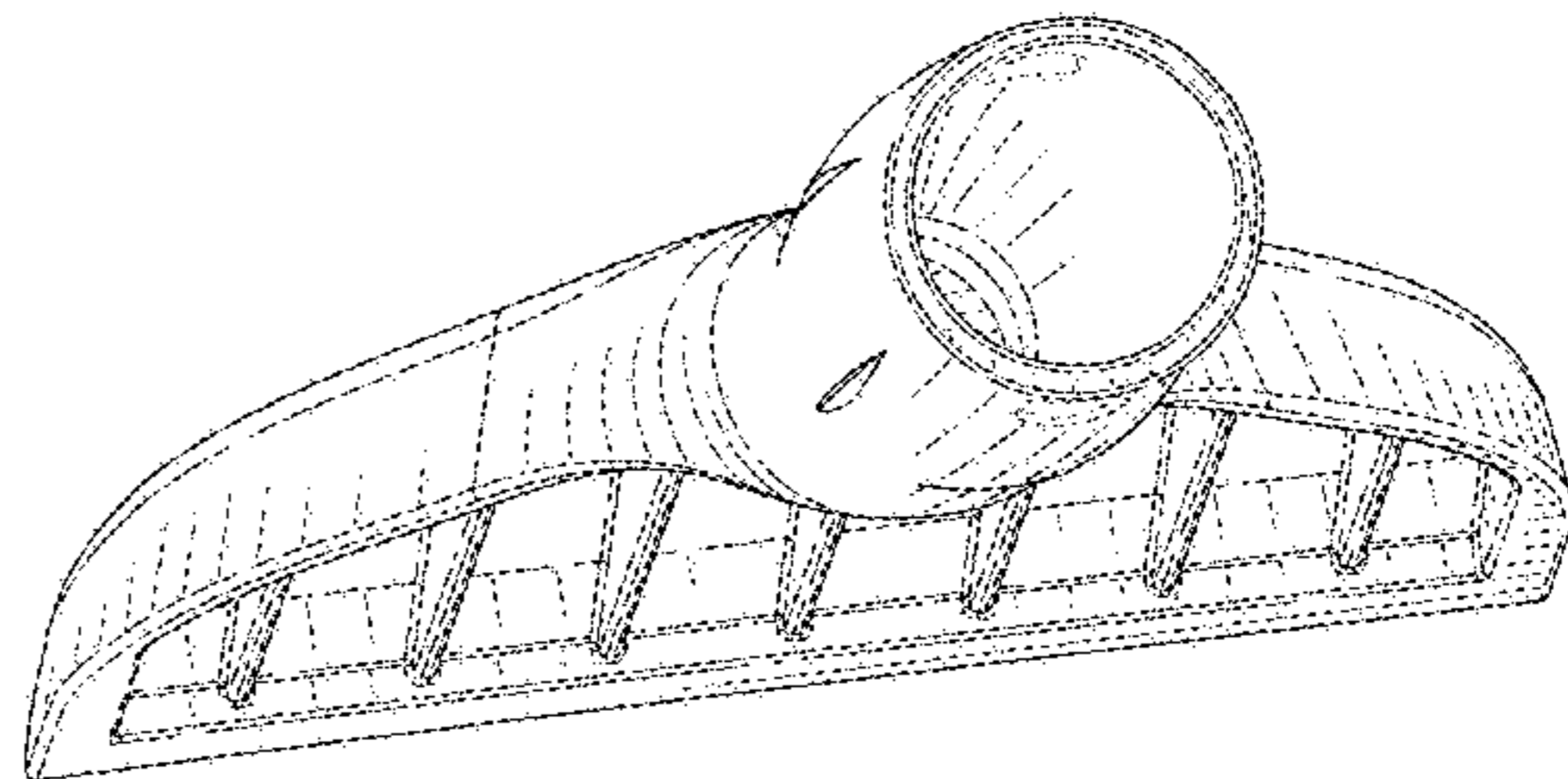
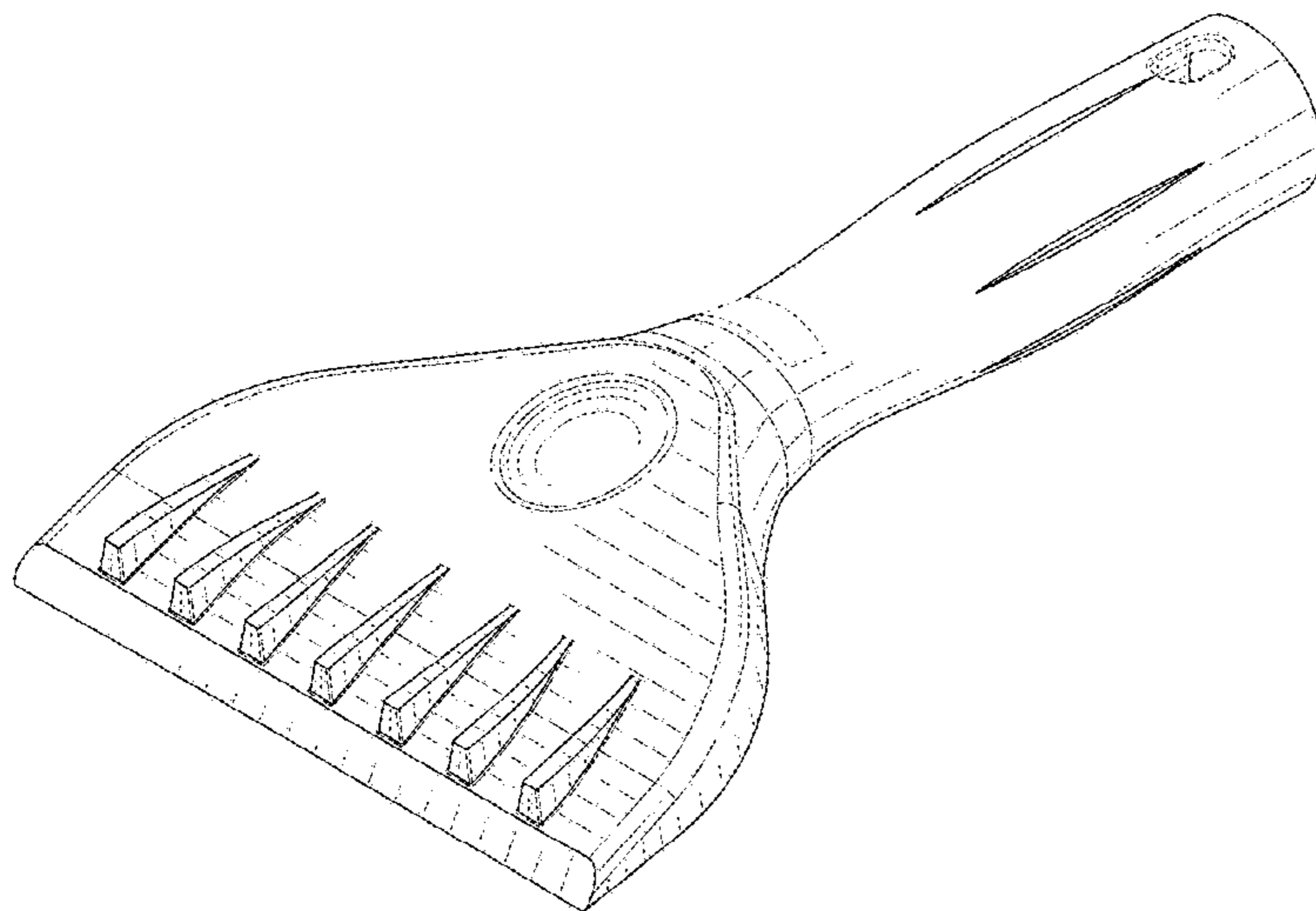
(57) **CLAIM**

The ornamental design for an ice scraper, as shown and described.

DESCRIPTION

FIG. 1 is a front, top perspective view of an ice scraper showing our new design;
FIG. 2 is a bottom, front perspective view thereof;
FIG. 3 is a front elevation view thereof;
FIG. 4 is a rear elevation view thereof;
FIG. 5 is a side elevation view thereof, with the opposing side elevation view being identical;
FIG. 6 is a bottom plan view thereof;
FIG. 7 is a top plan view thereof; and,
FIG. 8 is a rear, bottom perspective view thereof.
The broken lines in the drawings depict boundaries of the ice scraper that form no part of the claimed design.

1 Claim, 7 Drawing Sheets



(56)

References Cited

U.S. PATENT DOCUMENTS

D925,234 S * 7/2021 Waxman D4/118
2011/0000045 A1* 1/2011 Muhlebach E04D 15/003
15/236.01

* cited by examiner

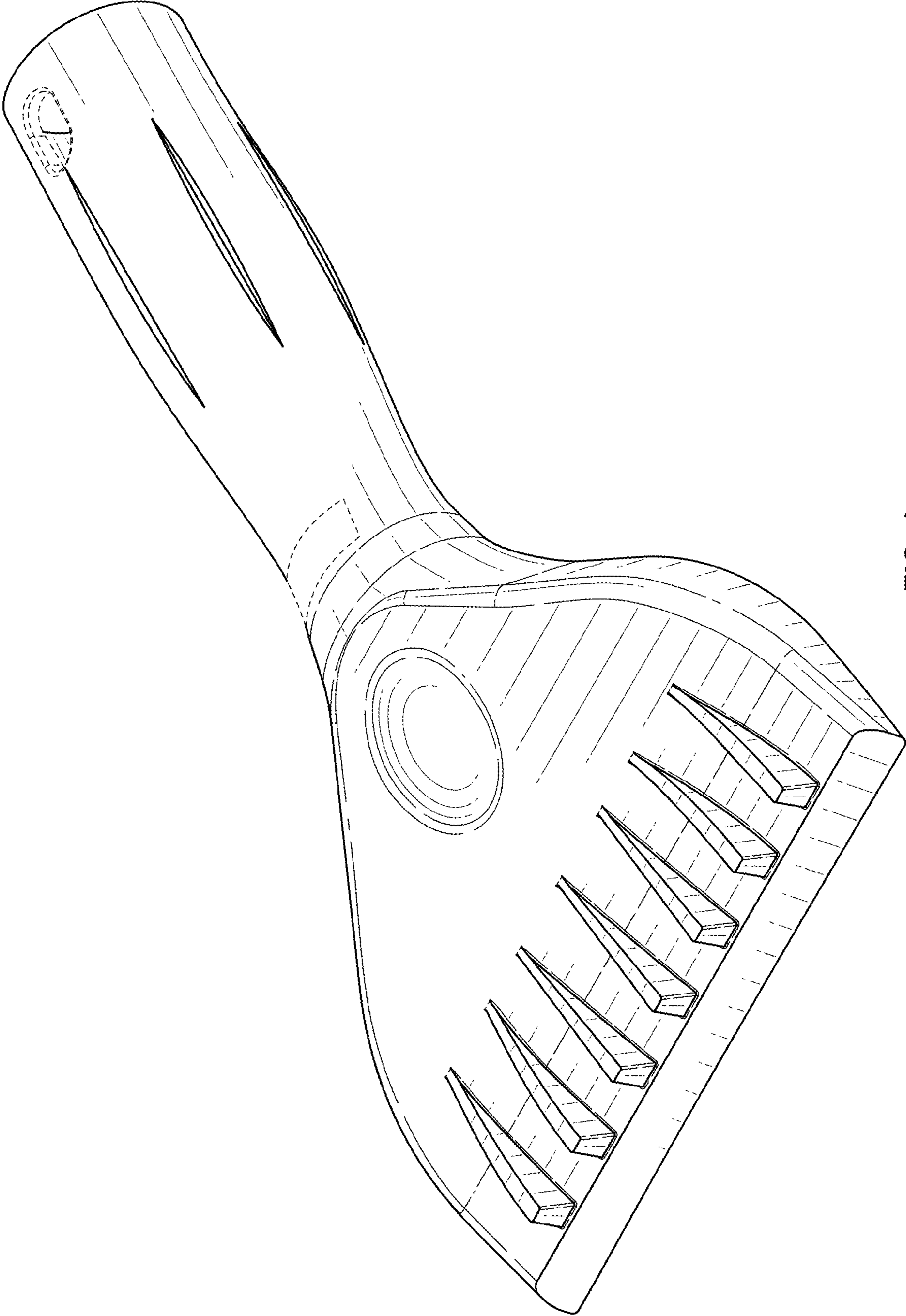


FIG. 1

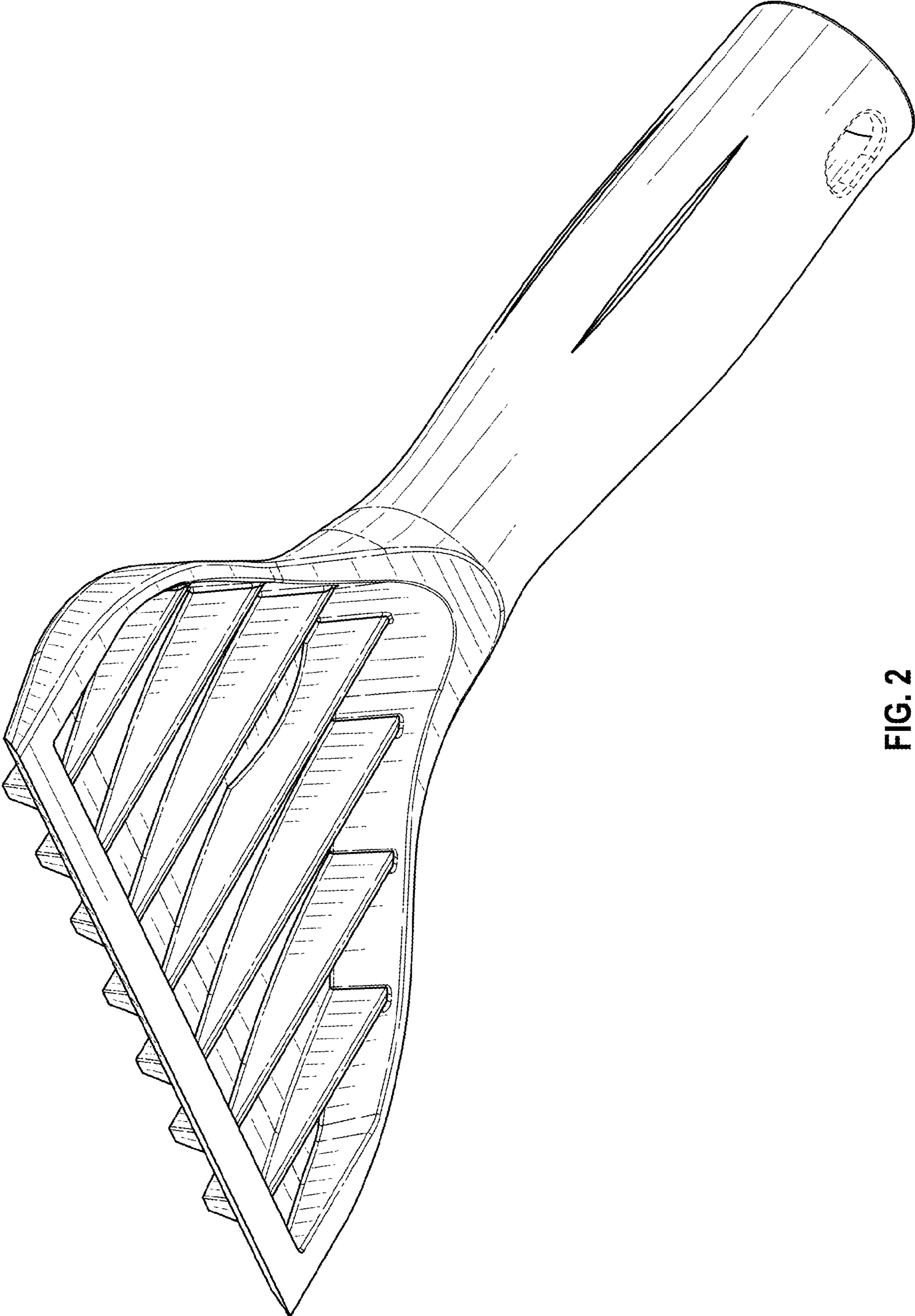


FIG. 2

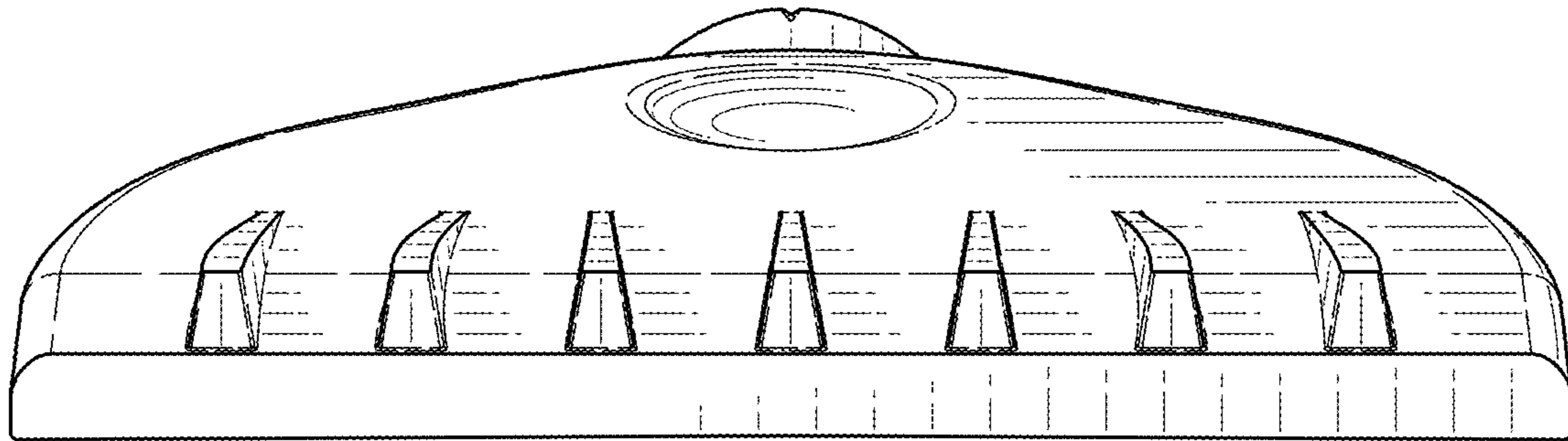


FIG. 3

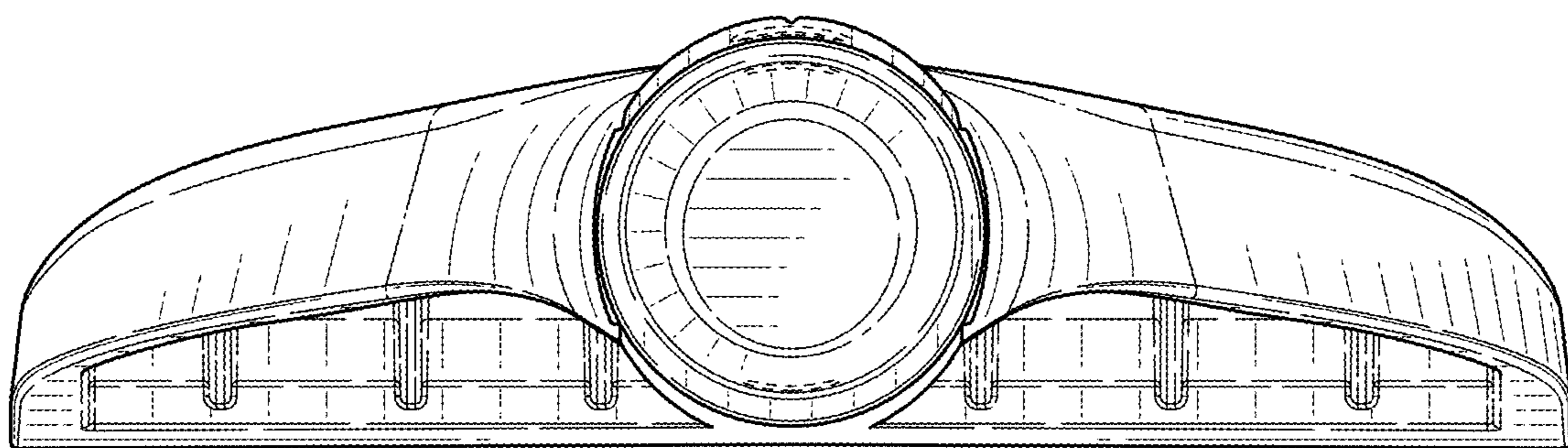


FIG. 4

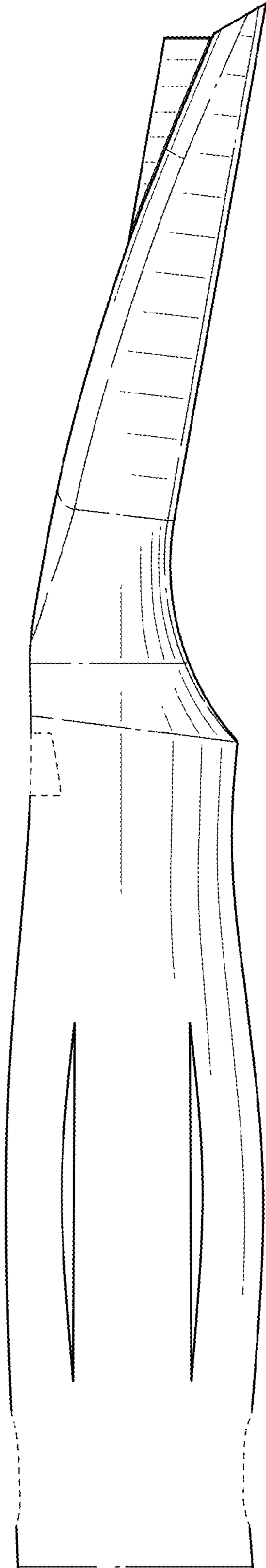


FIG. 5

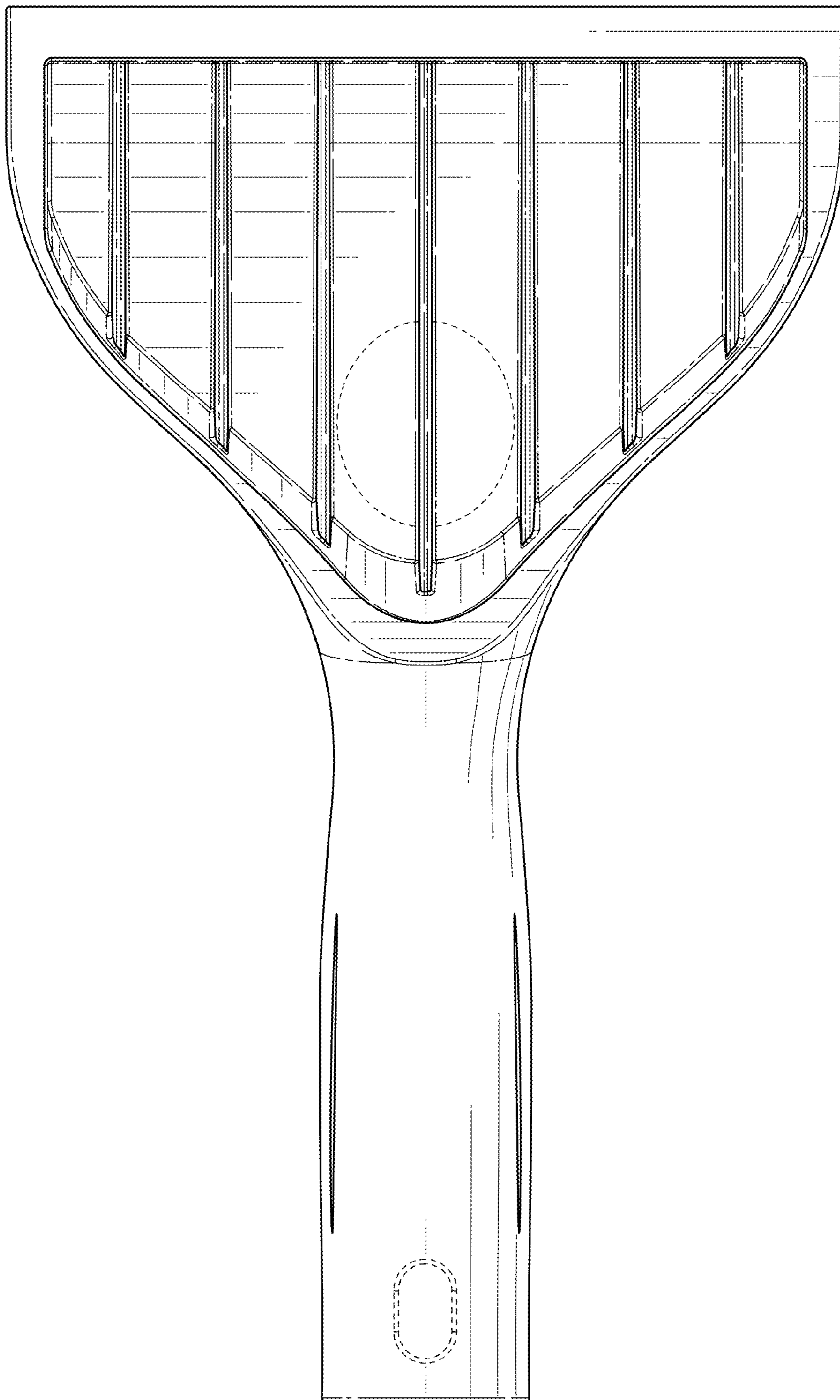


FIG. 6

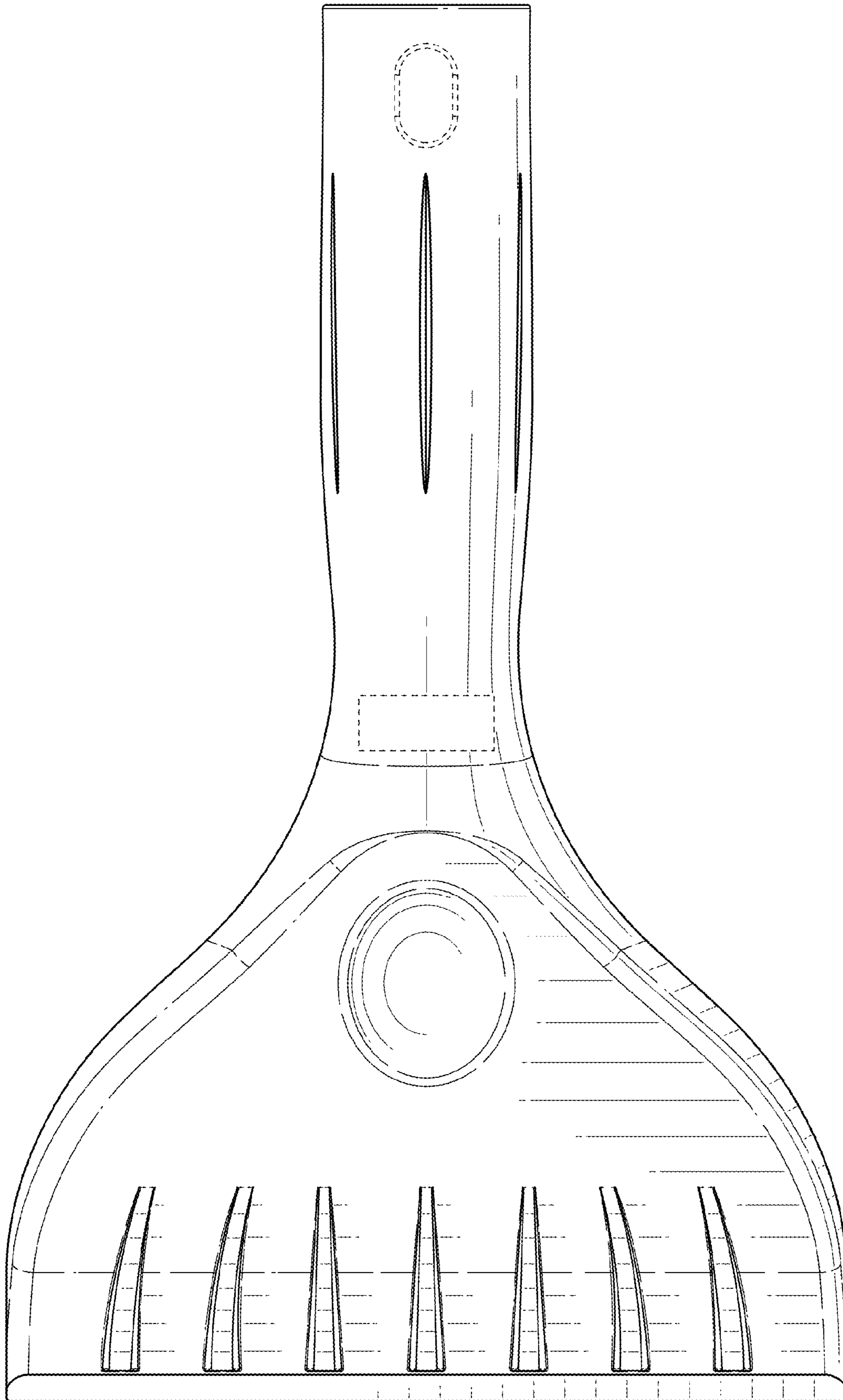


FIG. 7

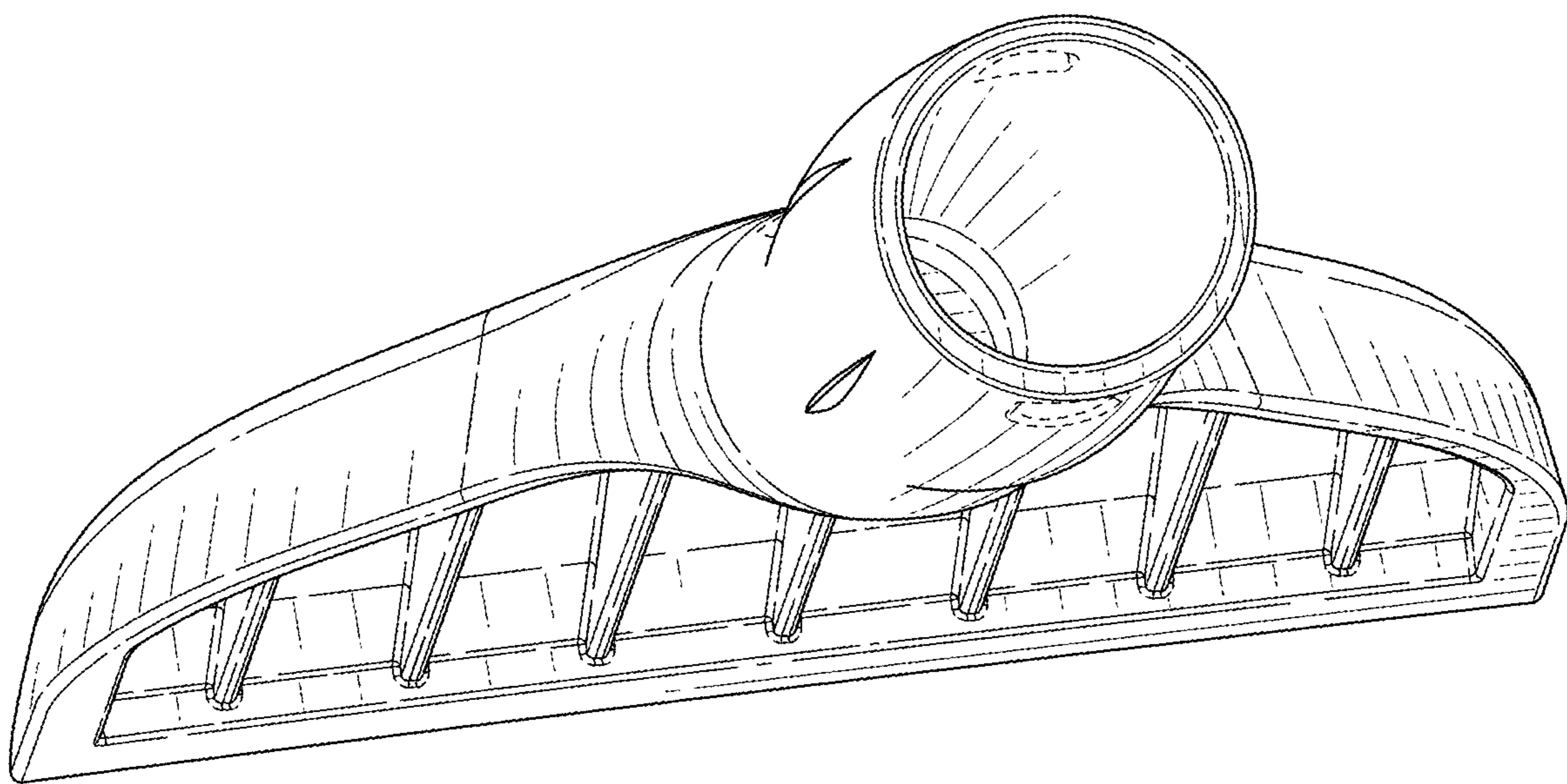


FIG. 8