



US00D950178S

(12) **United States Design Patent**
Pei et al.

(10) **Patent No.:** **US D950,178 S**
(45) **Date of Patent:** **** Apr. 26, 2022**

(54) **ELECTRIC MOP**

FOREIGN PATENT DOCUMENTS

(71) Applicant: **ANHUI DAHAN ROBOTICS GROUP CO., LTD.**, Bengbu (CN)

JP D1682940 * 4/2021

(72) Inventors: **Cunzhu Pei**, Bengbu (CN); **Ji-An Ying**, Bengbu (CN)

OTHER PUBLICATIONS

(73) Assignee: **ANHUI DAHAN ROBOTICS GROUP CO., LTD.**, Bengbu (CN)

Merida Electric Mop, website 2022, site visited Feb. 11, 2022, <https://meridaspray.com/products/merida-cordless-electric-mop-floor-cleaner-with-uv-light-disinfection?> . . .*

(**) Term: **15 Years**

* cited by examiner

(21) Appl. No.: **29/744,155**

Primary Examiner — John R Yeh

(22) Filed: **Jul. 27, 2020**

(74) *Attorney, Agent, or Firm* — Cheng-Ju Chiang

(30) **Foreign Application Priority Data**

(57) **CLAIM**

Dec. 3, 2019 (CN) 201930670877.5

The ornamental design for an electric mop, as shown and described.

(51) **LOC (13) Cl.** **15-05**

(52) **U.S. Cl.**
USPC **D32/45**

DESCRIPTION

(58) **Field of Classification Search**
USPC D21/526; D32/17-18, 21-22, 45, 50-52
CPC A61B 6/501; A63H 33/305
See application file for complete search history.

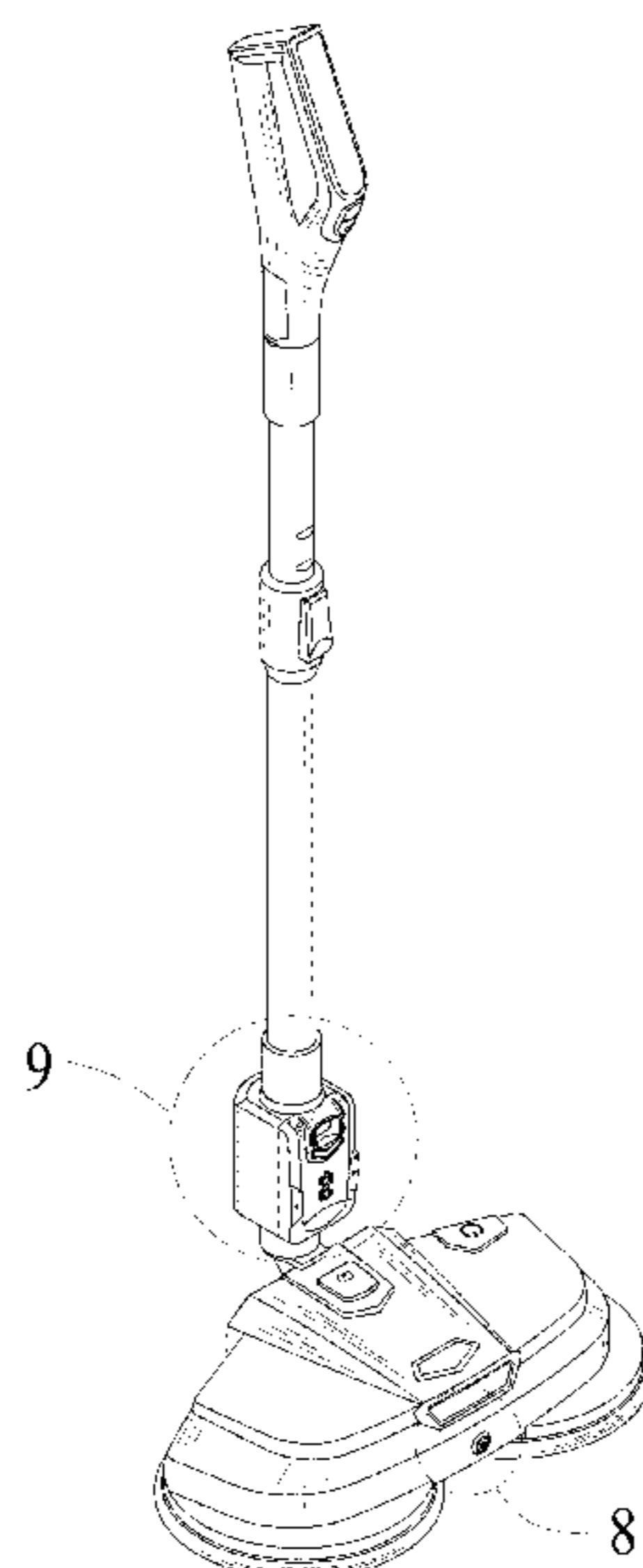
FIG. 1 is a front perspective view of an electric mop in accordance with my design;
FIG. 2 is a front view thereof;
FIG. 3 is a rear view thereof;
FIG. 4 is a left side view thereof;
FIG. 5 is a right side view thereof;
FIG. 6 is a top view thereof;
FIG. 7 is a bottom view thereof;
FIG. 8 is an enlarged view of the circled portion 8 of FIG. 1;
FIG. 9 is an enlarged view of the circled portion 9 of FIG. 1; and,
FIG. 10 is an enlarged view of the circled portion 10 of FIG. 3.
The broken lines are directed to environment and are for illustrative purposes only. The broken lines form no part of the claimed design.

(56) **References Cited**

U.S. PATENT DOCUMENTS

D673,337	S	*	12/2012	Chow	D32/45
D795,518	S	*	8/2017	Chung	D32/45
D855,271	S	*	7/2019	Liang	D32/50
D866,108	S	*	11/2019	Palladino	D32/45
D866,898	S	*	11/2019	Tao	D32/50
D882,895	S	*	4/2020	Kim	D32/33
D882,898	S	*	4/2020	Kim	D32/50
10,795,377	B2	*	10/2020	Afrouzi	A47L 9/0488
D911,646	S	*	2/2021	DeBeck	D32/45
D912,920	S	*	3/2021	Tao	D32/15
11,064,853	B2	*	7/2021	Clare	A47L 5/30
D934,521	S	*	10/2021	Piksa	D32/45
2018/0235425	A1	*	8/2018	Ding	A47L 11/4083

1 Claim, 10 Drawing Sheets



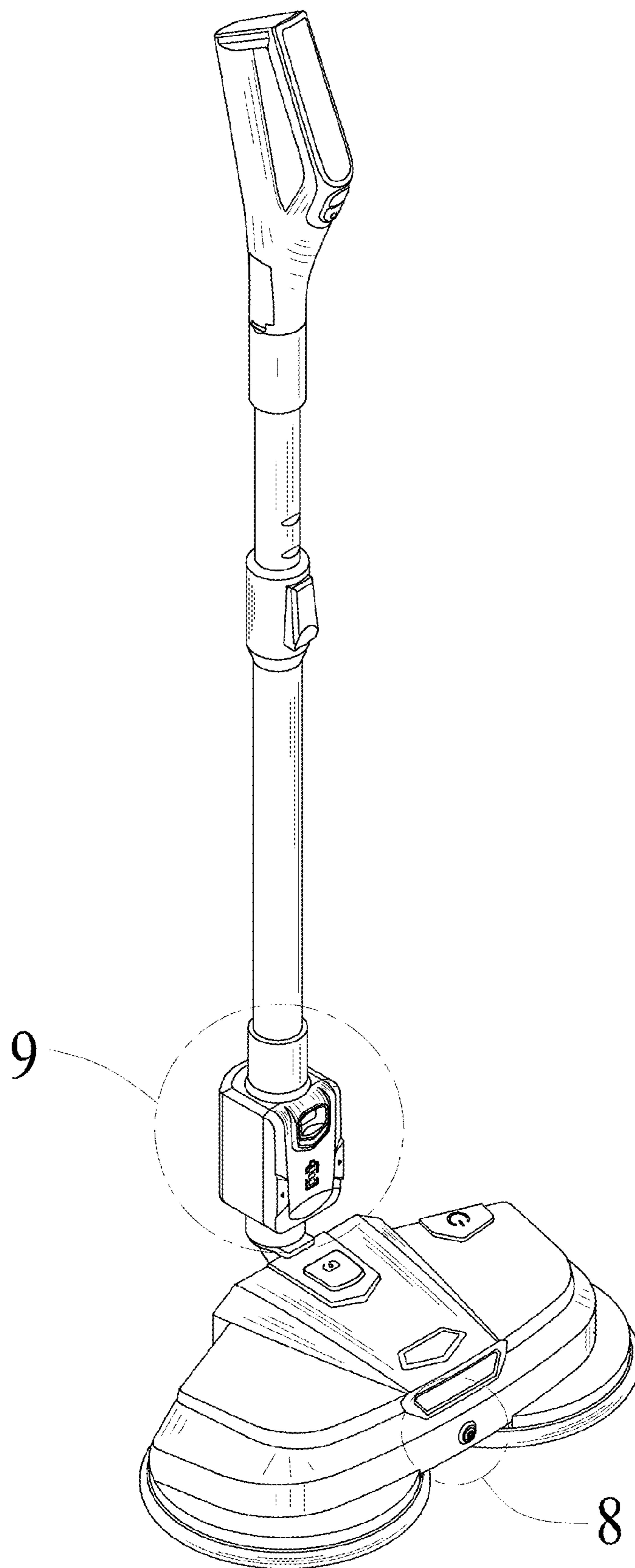


FIG. 1

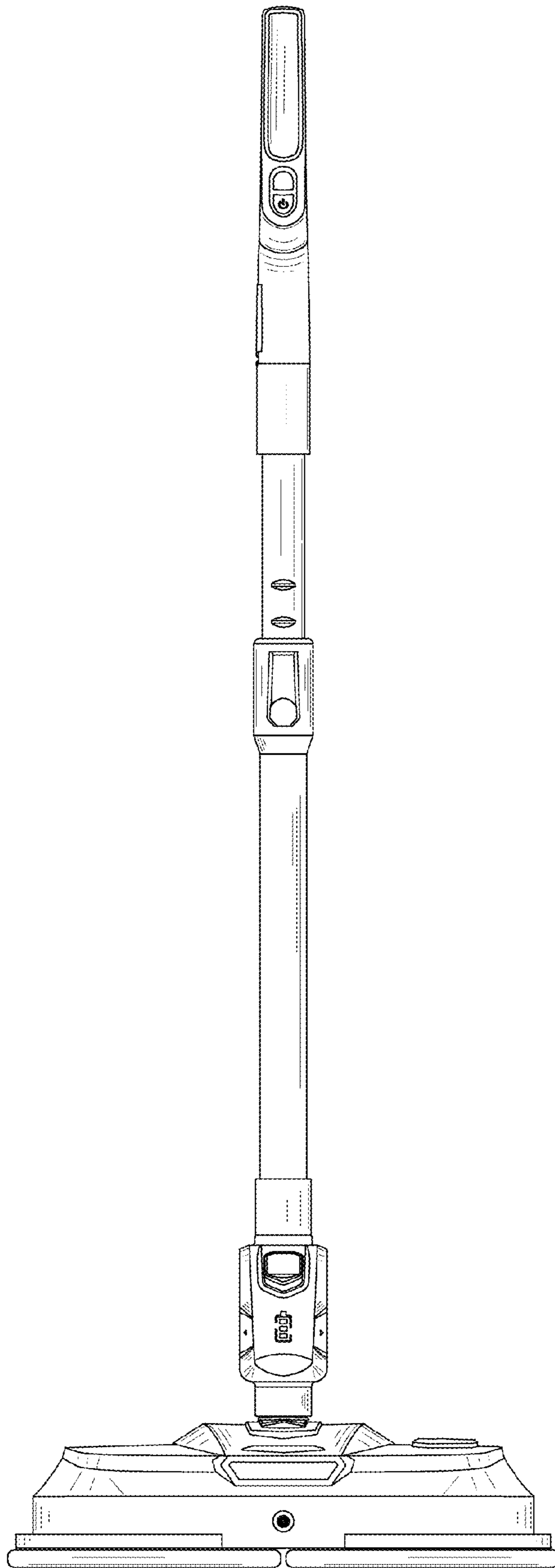


FIG. 2

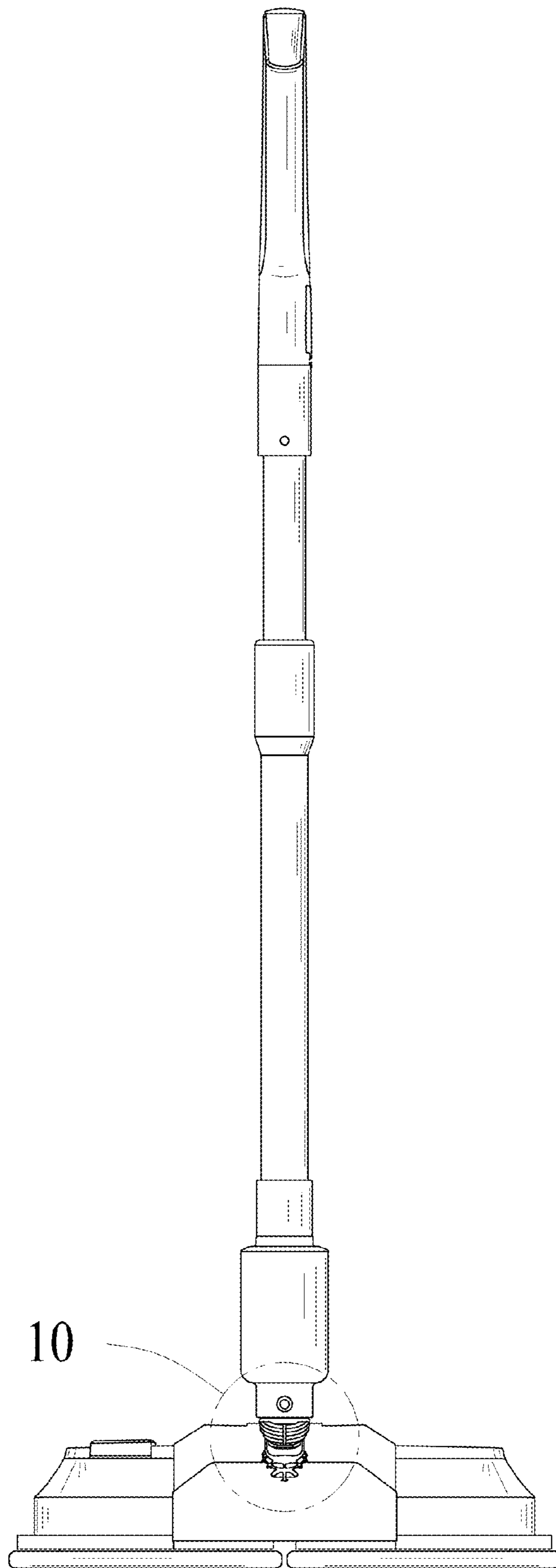


FIG. 3

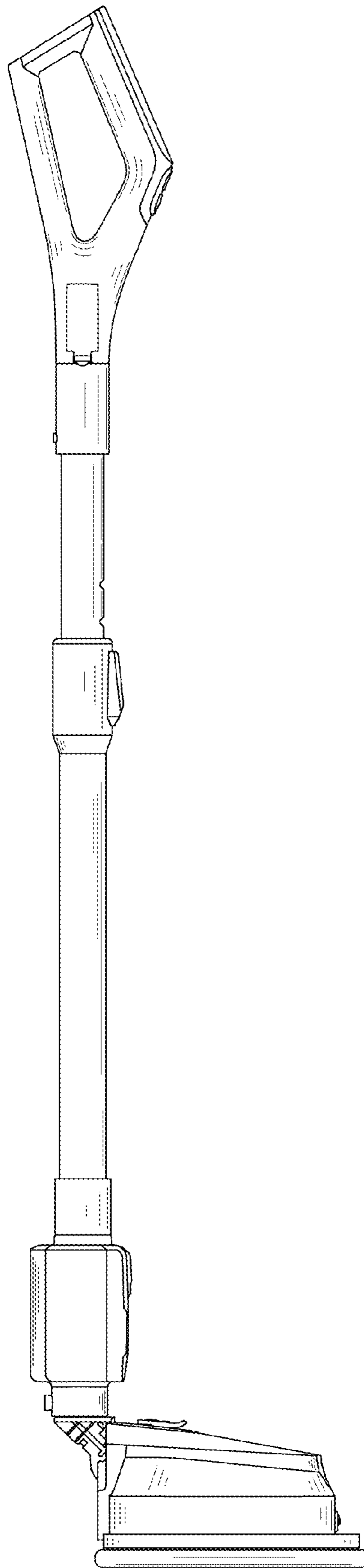


FIG. 4

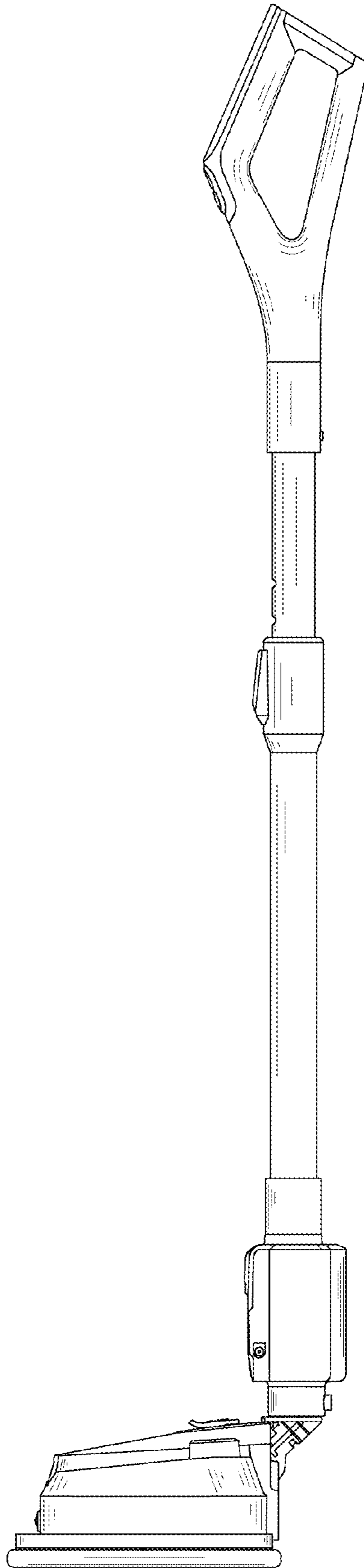


FIG. 5

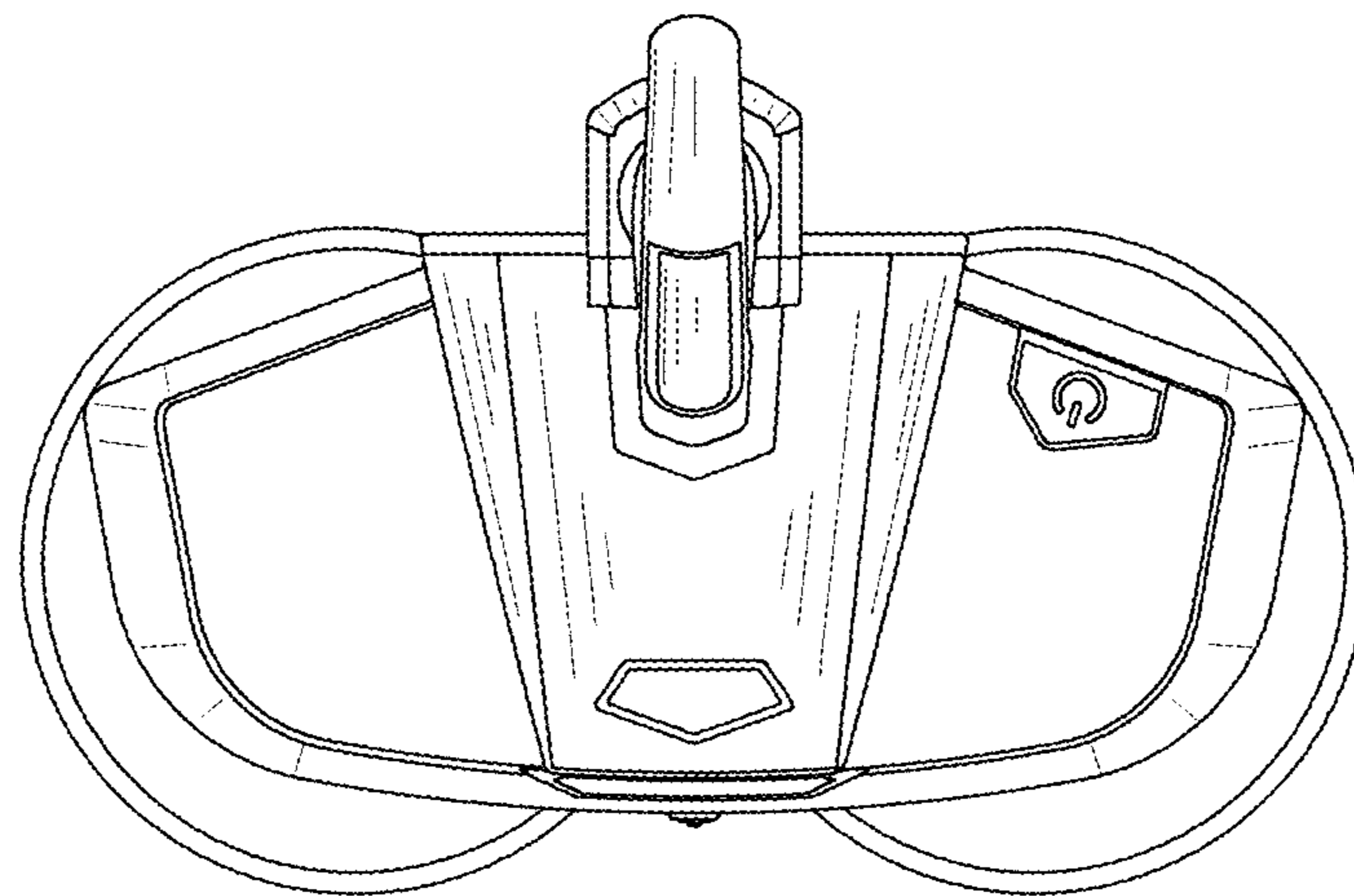


FIG. 6

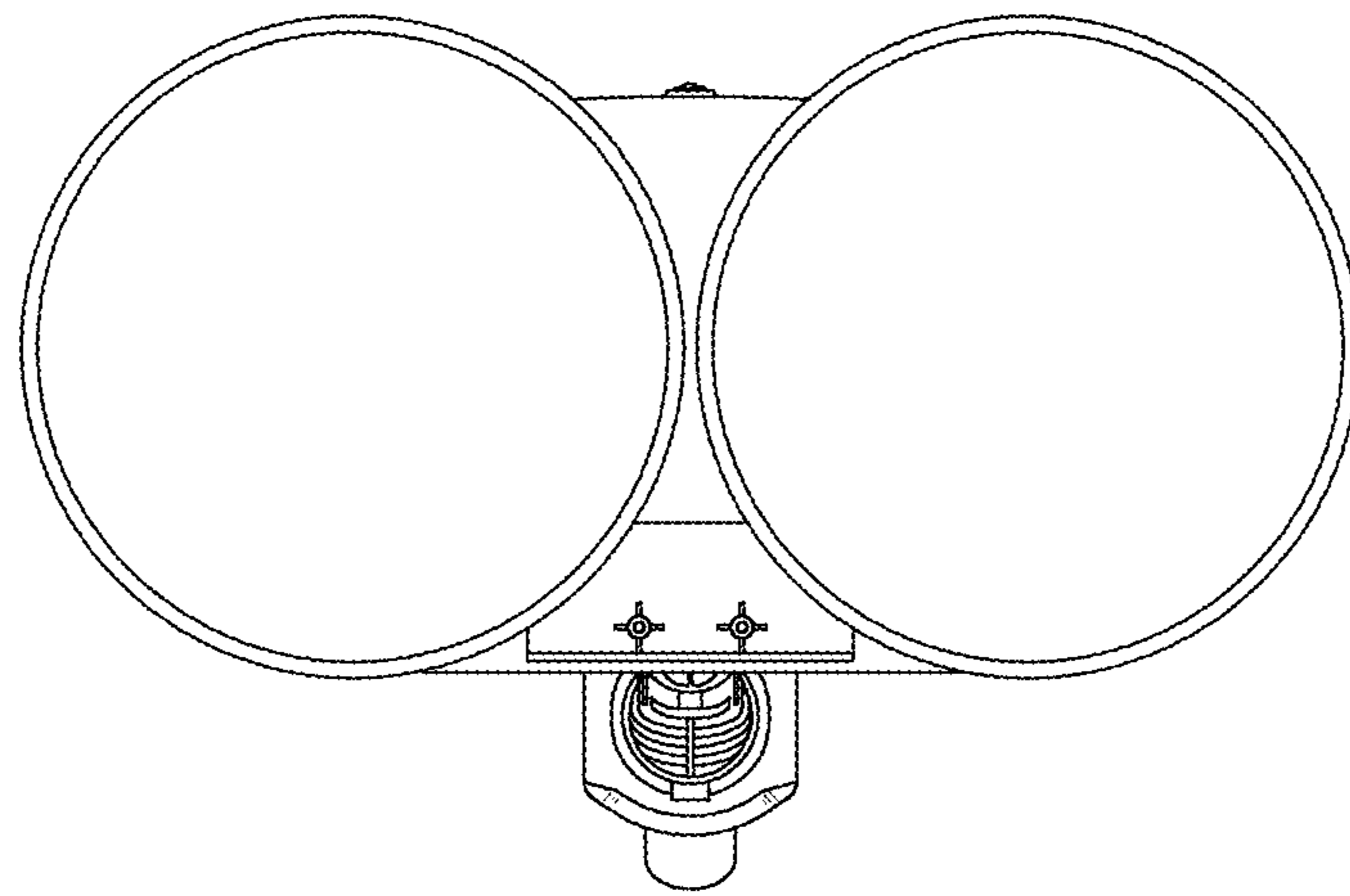


FIG. 7

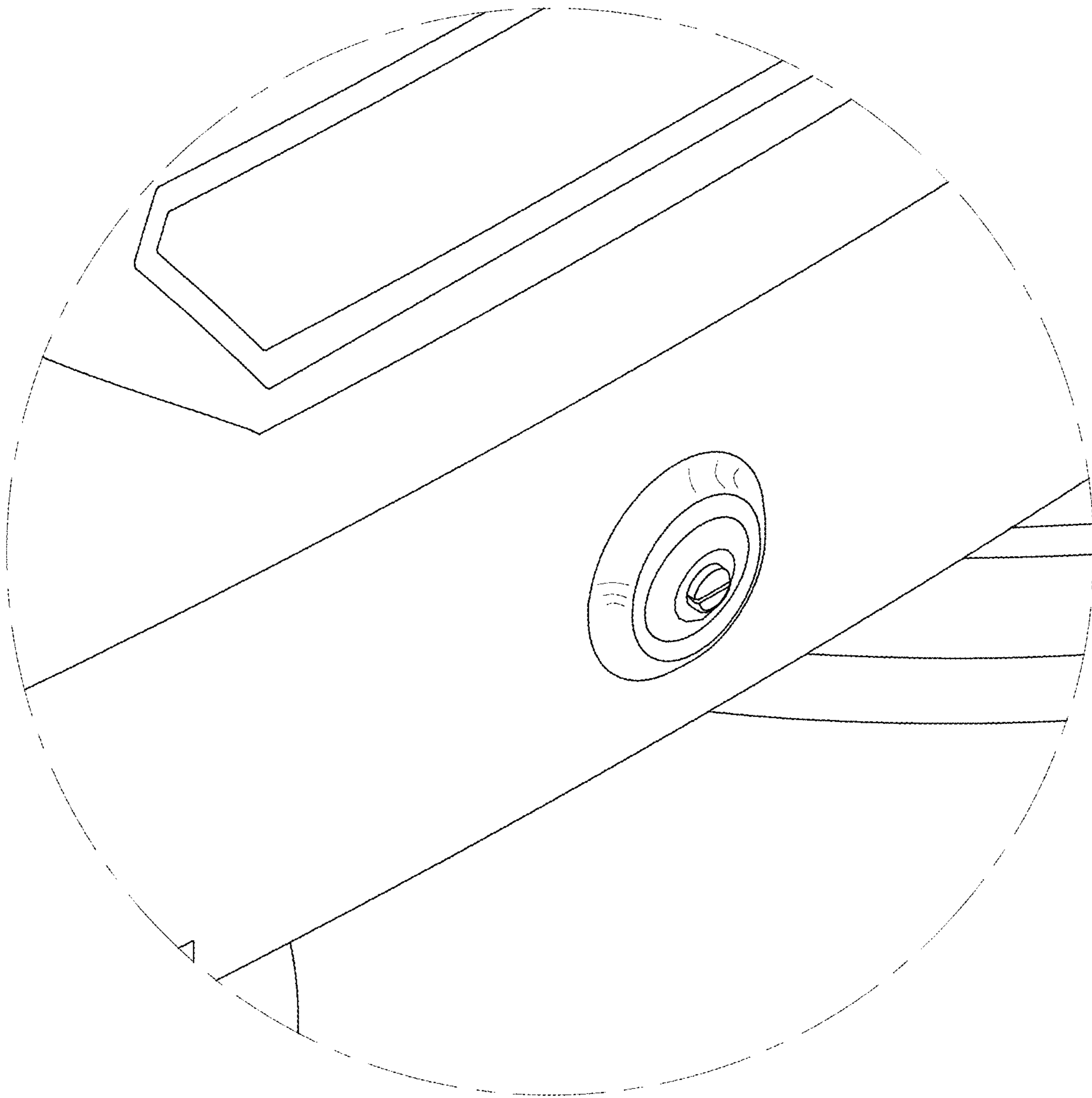


FIG. 8

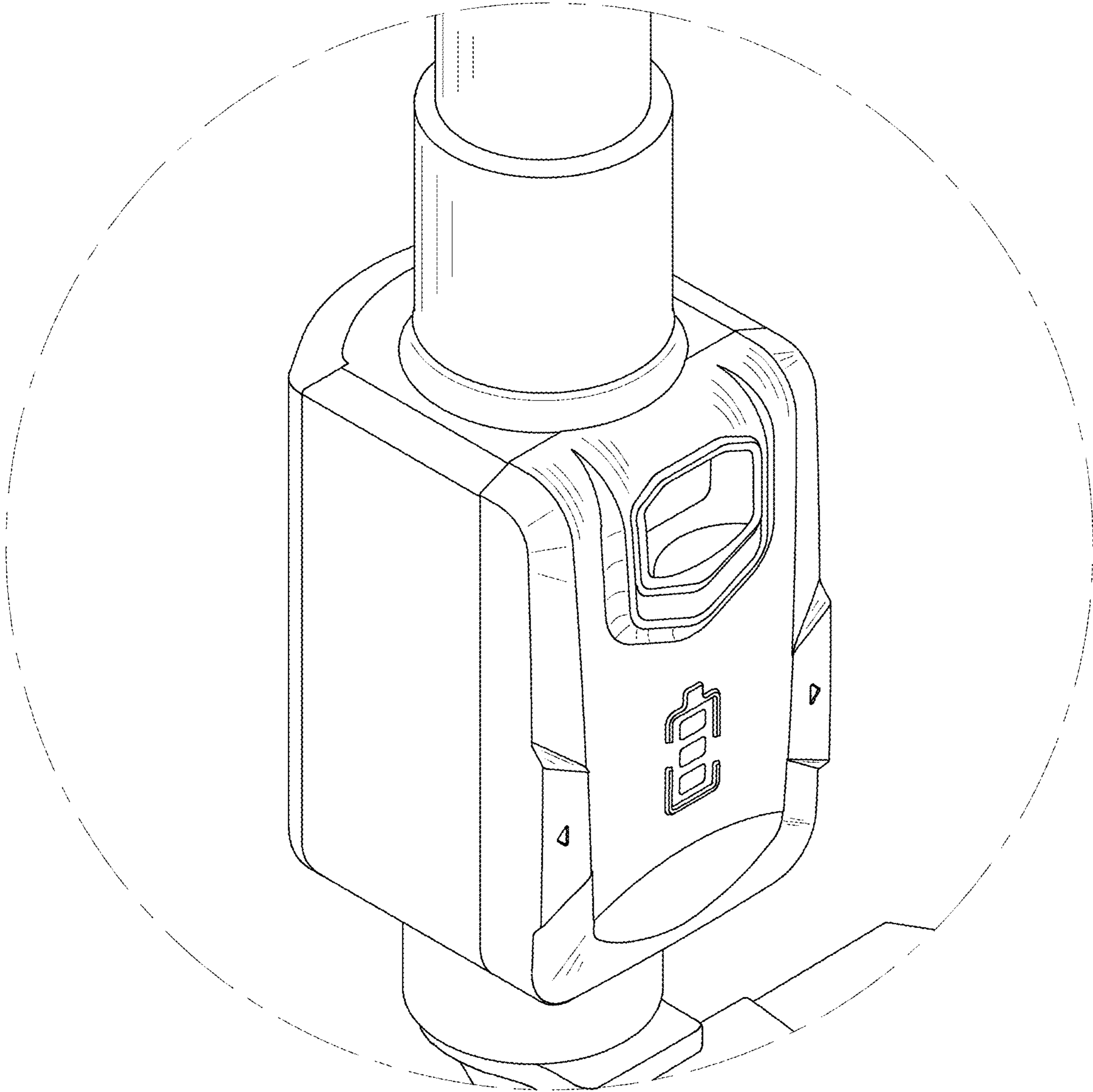


FIG. 9

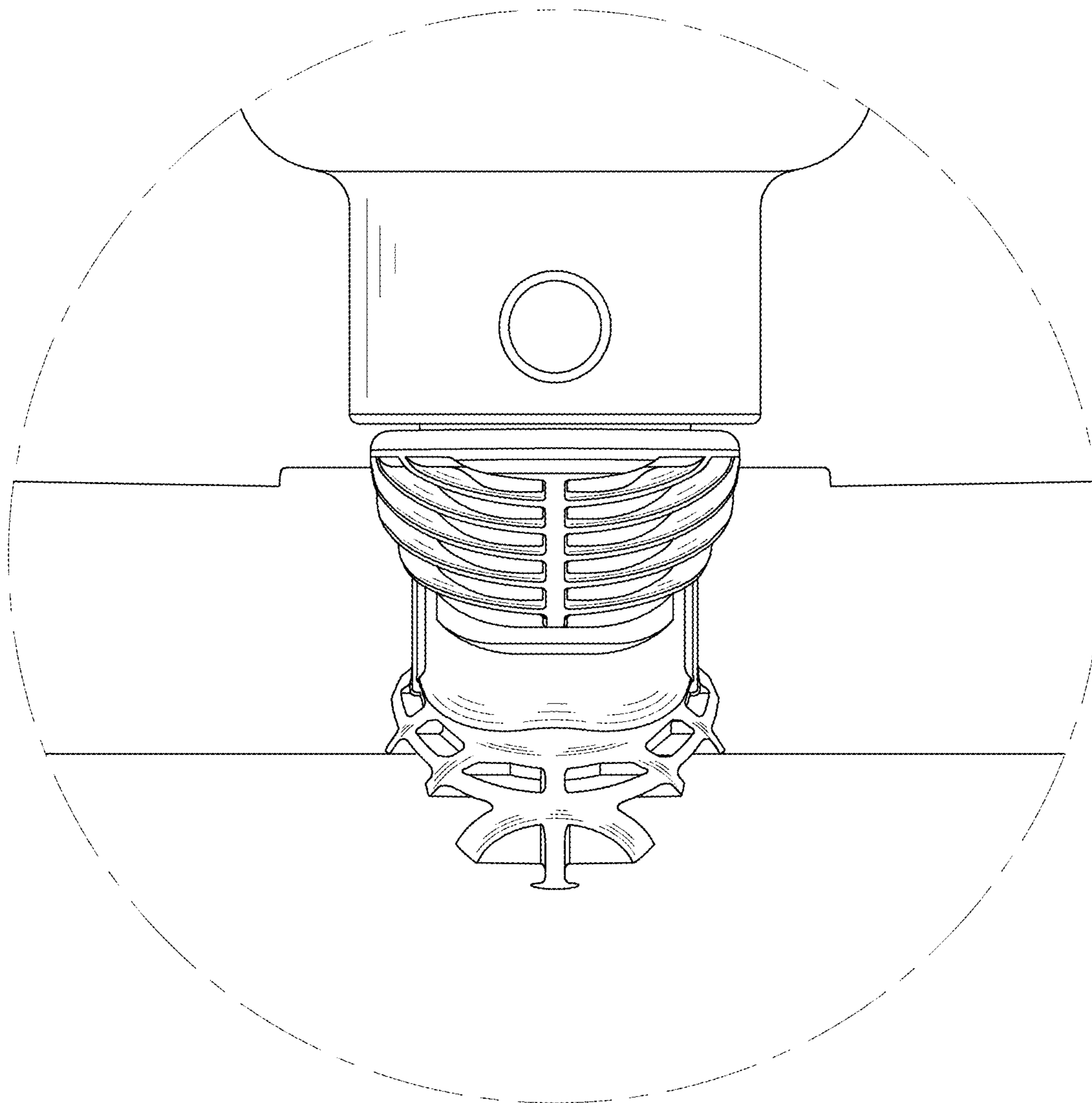


FIG. 10