



US00D950177S

(12) **United States Design Patent** (10) **Patent No.:** **US D950,177 S**  
**Zadro** (45) **Date of Patent:** **\*\* Apr. 26, 2022**

(54) **COMBINED SQUEEGEE AND SPRAYER**

FOREIGN PATENT DOCUMENTS

(71) Applicant: **Zadro, Inc.**, Huntington Beach, CA (US)

CN 306601617 \* 6/2021

(72) Inventor: **Zlatko Zadro**, Huntington Beach, CA (US)

OTHER PUBLICATIONS

(73) Assignee: **Zadro, Inc.**, Huntington Beach, CA (US)

Worx Window Squeegee, Amazon reviews 2018, <https://www.amazon.com/WORX-WA4050-Squeegee-Sprayer-Accessory/dp/B071Y34HL5?th=1>.\*

(\*\*) Term: **15 Years**

*Primary Examiner* — John R Yeh  
(74) *Attorney, Agent, or Firm* — UltimatEdge IP Law Group, P.C.; Dean G. Stathakis

(21) Appl. No.: **29/763,812**

(22) Filed: **Dec. 24, 2020**

(57) **CLAIM**

(51) **LOC (13) Cl.** ..... **07-05**

The ornamental design for a combined squeegee and sprayer, substantially as shown and described.

(52) **U.S. Cl.**

USPC ..... **D32/41**

**DESCRIPTION**

(58) **Field of Classification Search**

USPC ..... D32/40–43, 45–46; D4/116, 118  
CPC ..... B44D 3/16; A47L 17/06; A47L 13/022;  
A47L 1/06; B43L 1/00

See application file for complete search history.

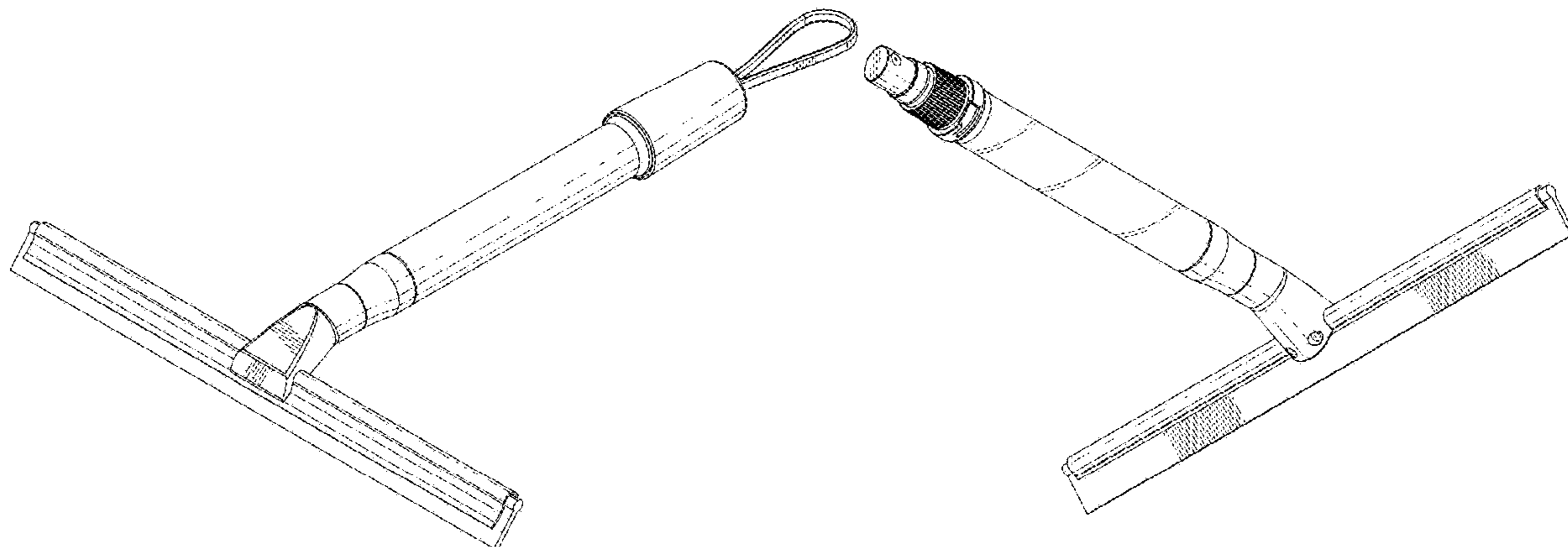
(56) **References Cited**

U.S. PATENT DOCUMENTS

D364,948 S *	12/1995	Hunt	.....	D32/45
D386,852 S *	11/1997	Viner	.....	D32/42
D422,765 S *	4/2000	Viola	.....	D32/35
D468,887 S	1/2003	Burgos		
6,625,840 B1 *	9/2003	Hansen	.....	A47L 1/06 15/236.01
D480,853 S *	10/2003	Snell	.....	D32/41
D487,830 S *	3/2004	Snell	.....	D32/41
D517,758 S *	3/2006	Hay	.....	D32/41
D564,161 S *	3/2008	Talesfore	.....	D32/41
D602,666 S *	10/2009	Antoniello	.....	D32/41
7,748,074 B2 *	7/2010	Guizzi	.....	A47L 1/06 15/245
D627,532 S *	11/2010	Yang	.....	D32/41
D704,911 S *	5/2014	Albo	.....	D32/41

(Continued)

**1 Claim, 12 Drawing Sheets**



(56)

**References Cited**

U.S. PATENT DOCUMENTS

8,726,451 B2 \* 5/2014 Patterson ..... A47L 1/06  
15/245  
D709,757 S \* 7/2014 Yang ..... D8/395  
D773,141 S \* 11/2016 Chitayat ..... D32/41  
D907,870 S \* 1/2021 Vasquez ..... D32/41  
2004/0000056 A1 \* 1/2004 Chao ..... B44D 3/162  
30/169  
2011/0035896 A1 \* 2/2011 Spoleti ..... A47L 1/06  
15/245

\* cited by examiner

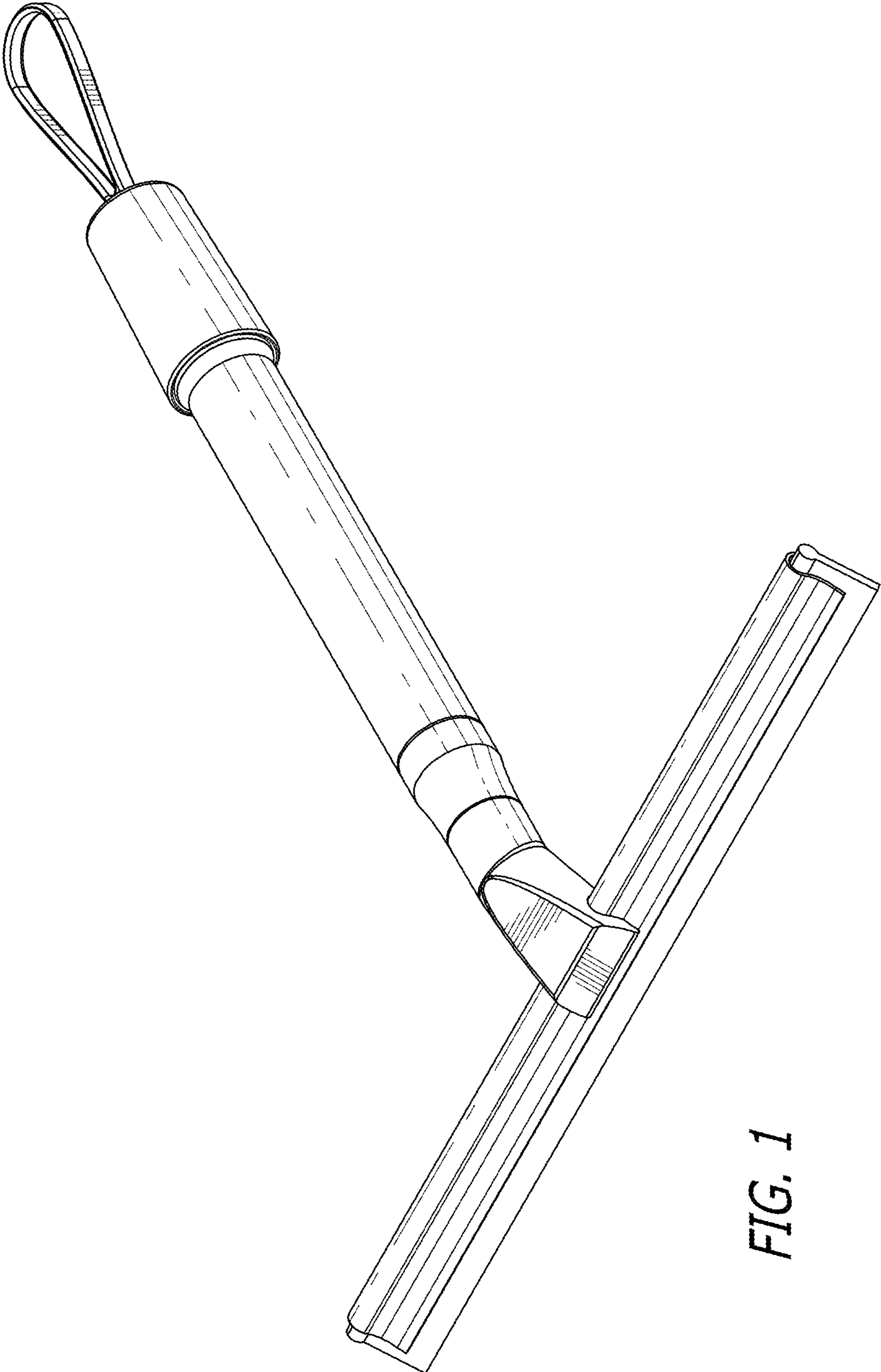


FIG. 1

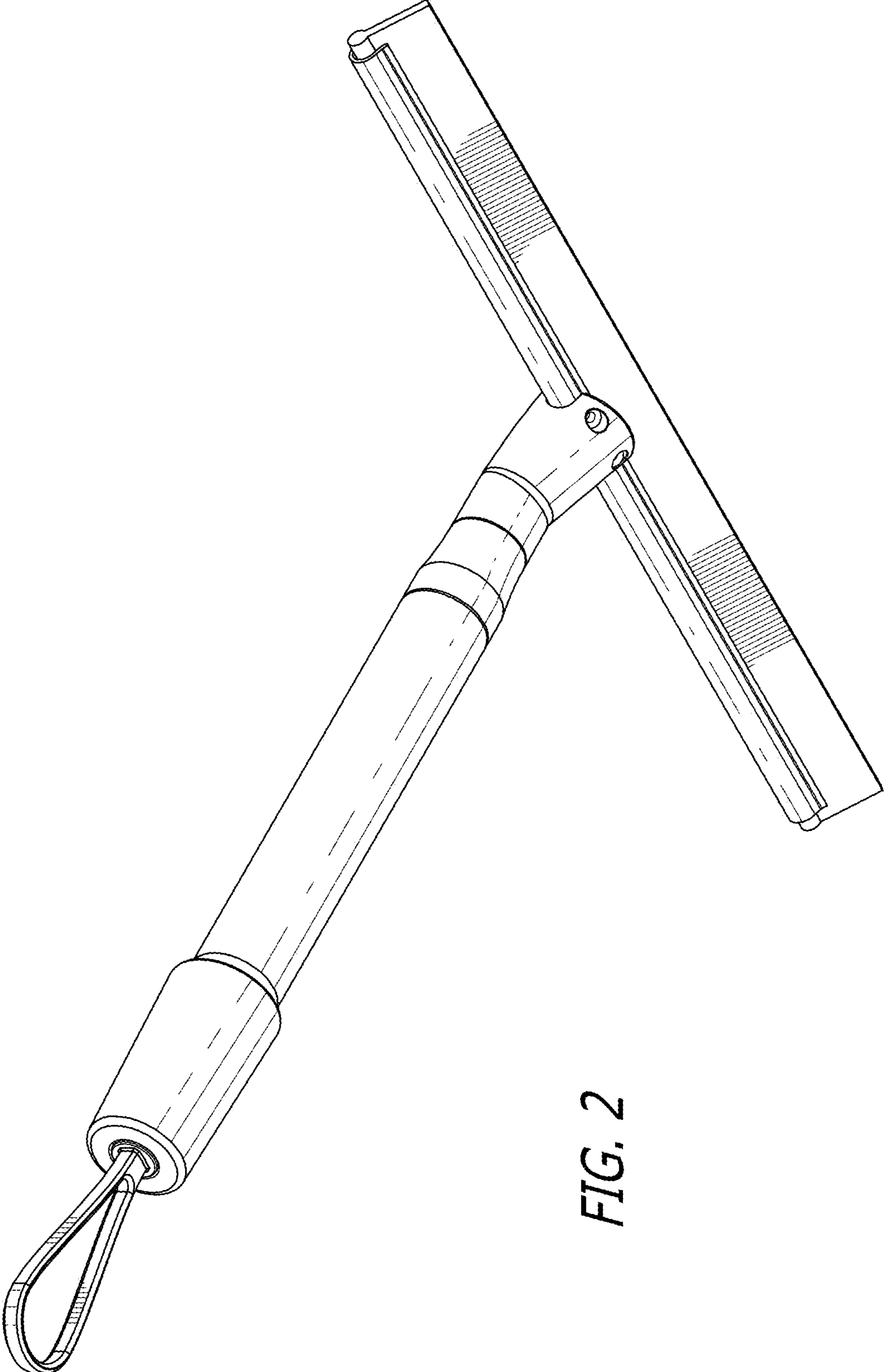


FIG. 2

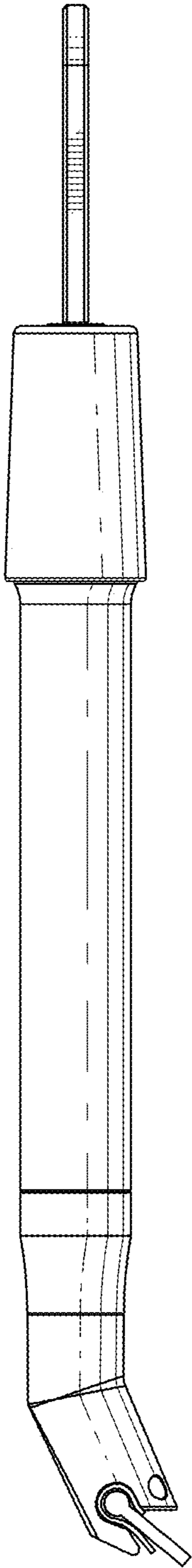


FIG. 3

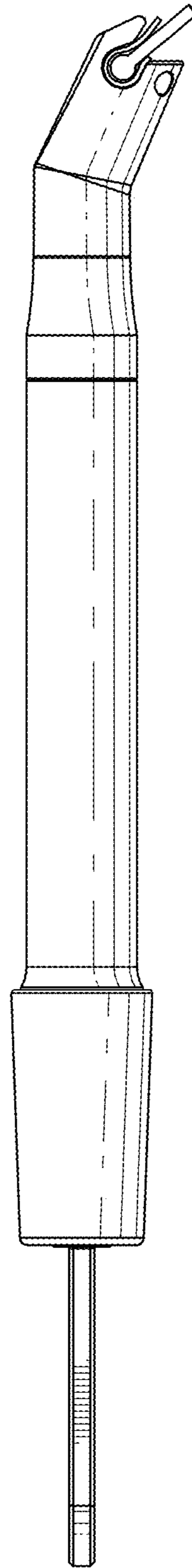


FIG. 4

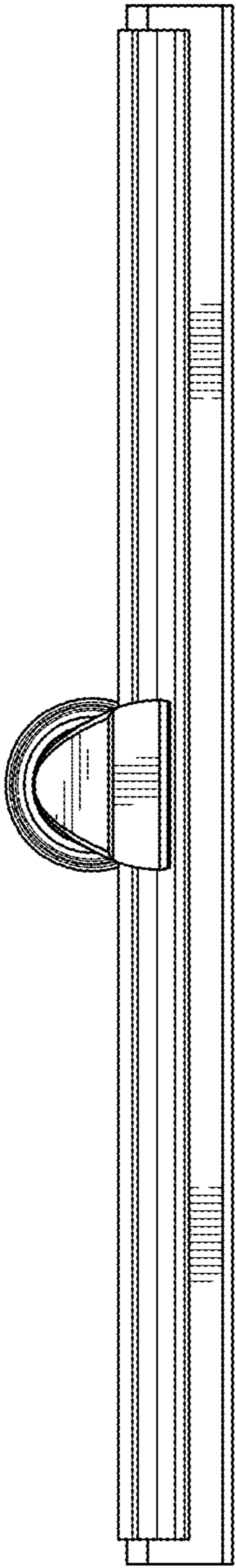


FIG. 5

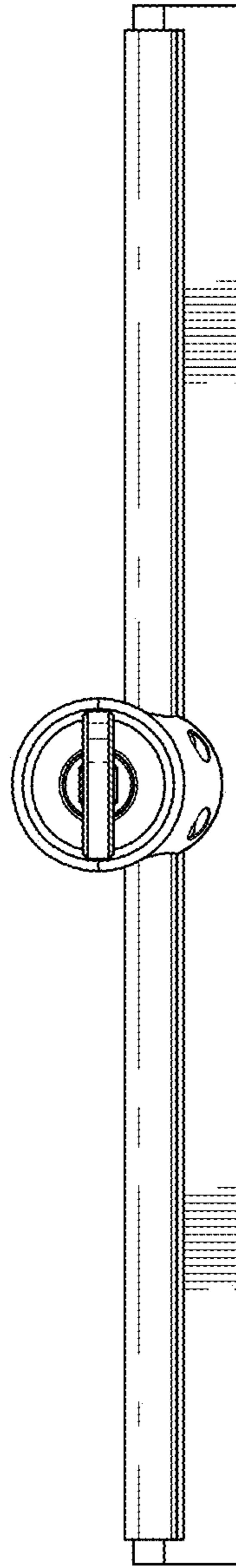


FIG. 6

FIG. 7

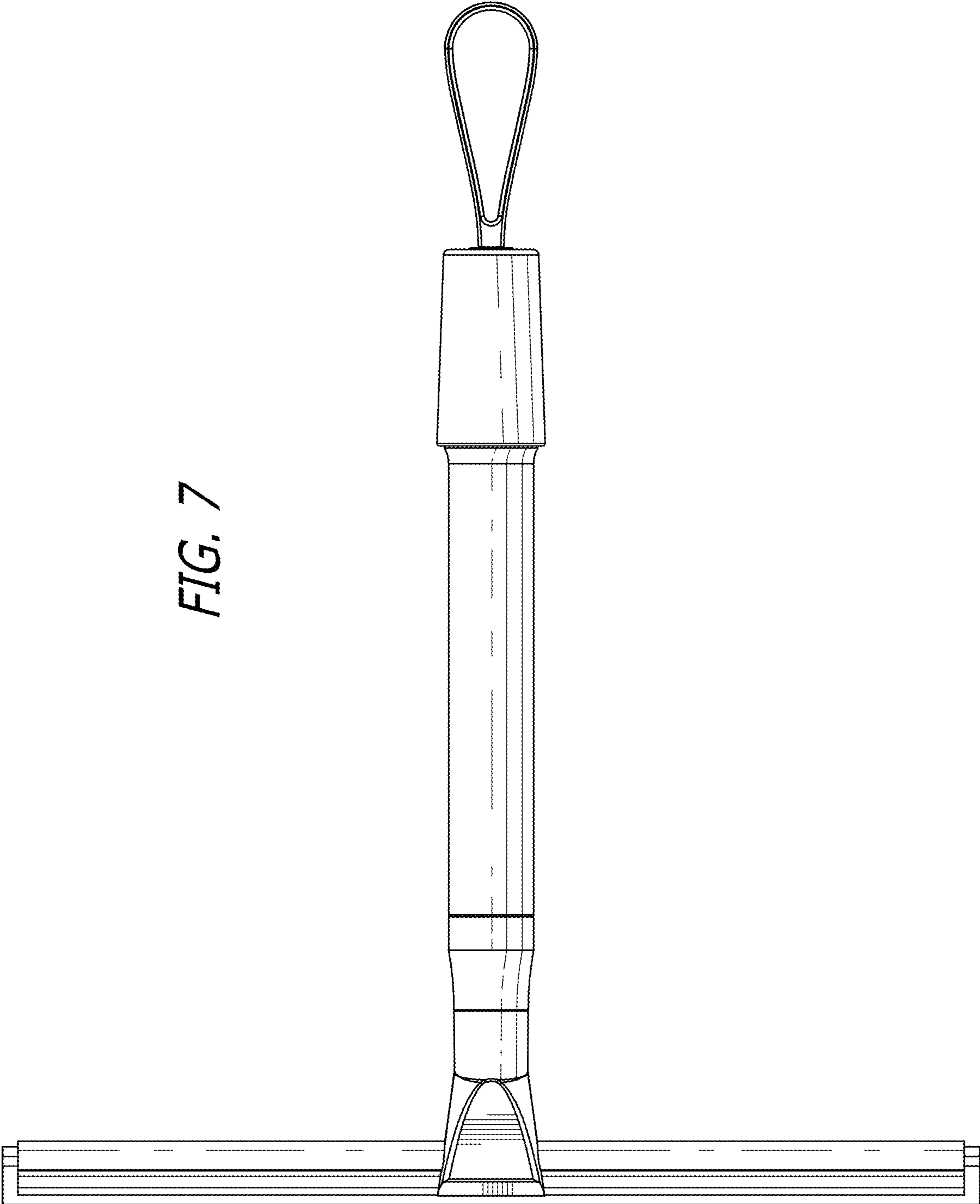
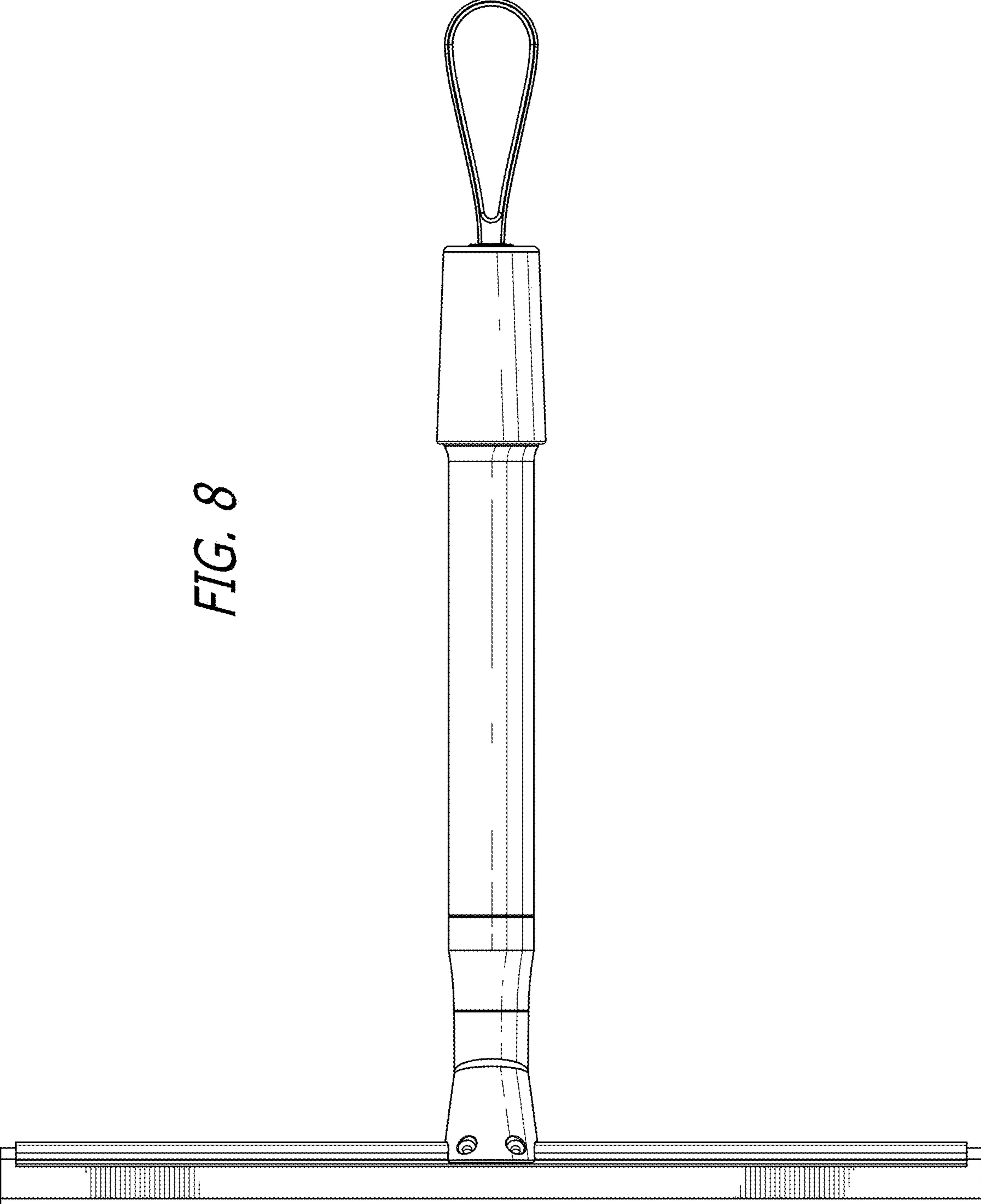


FIG. 8





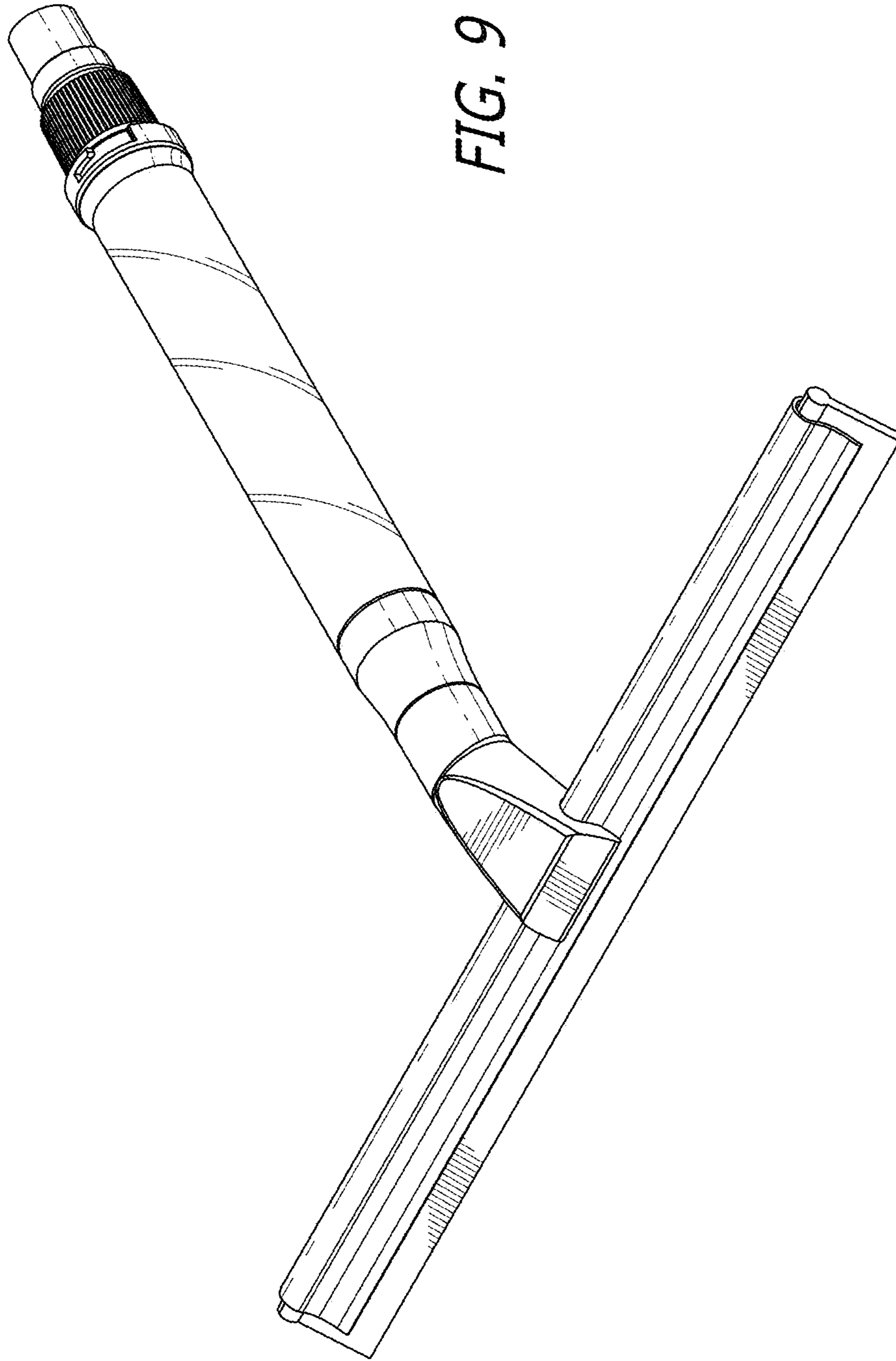


FIG. 9

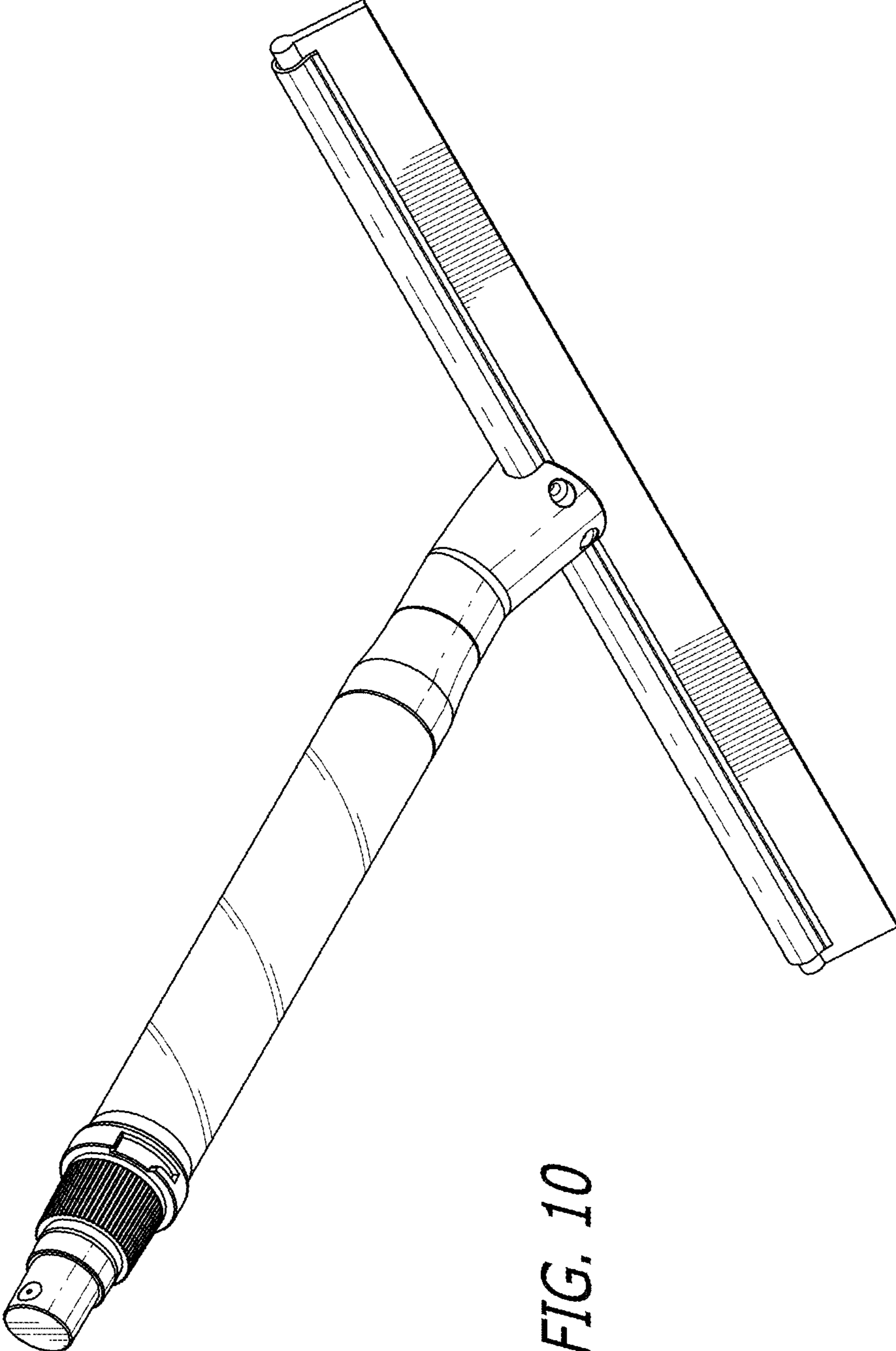
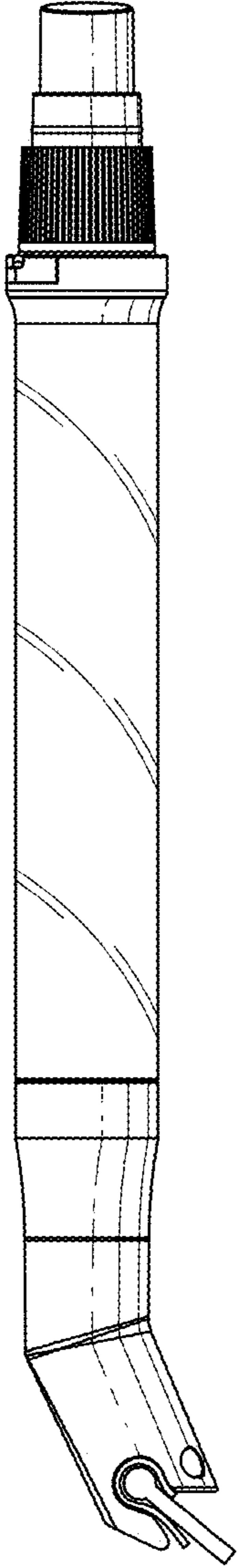
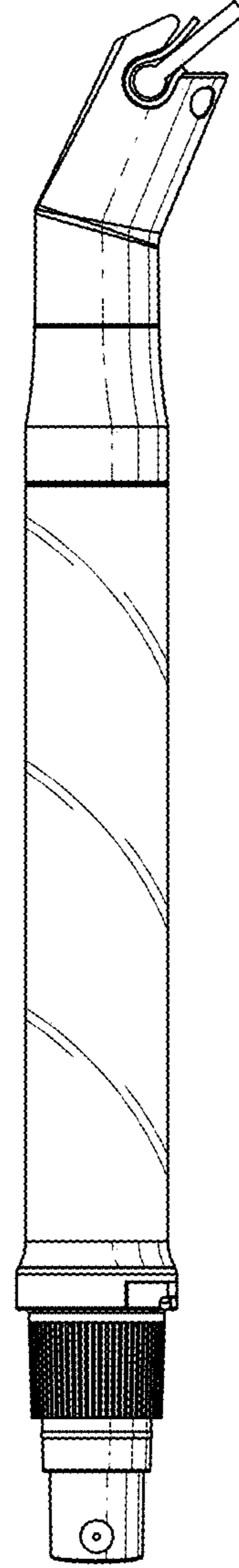


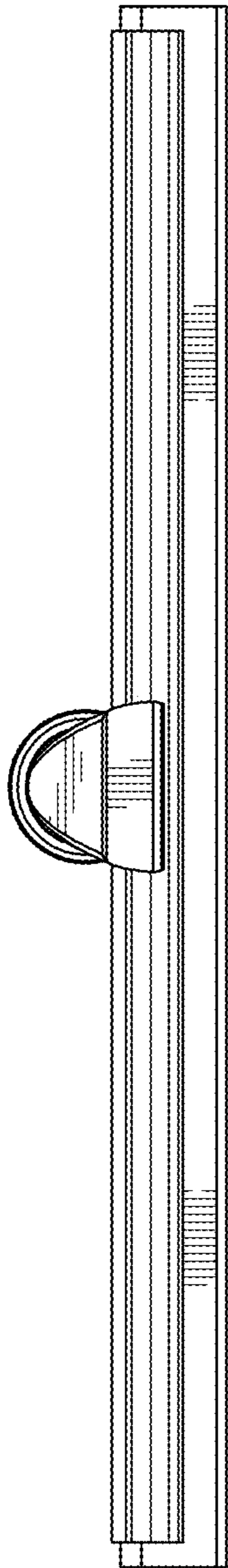
FIG. 10



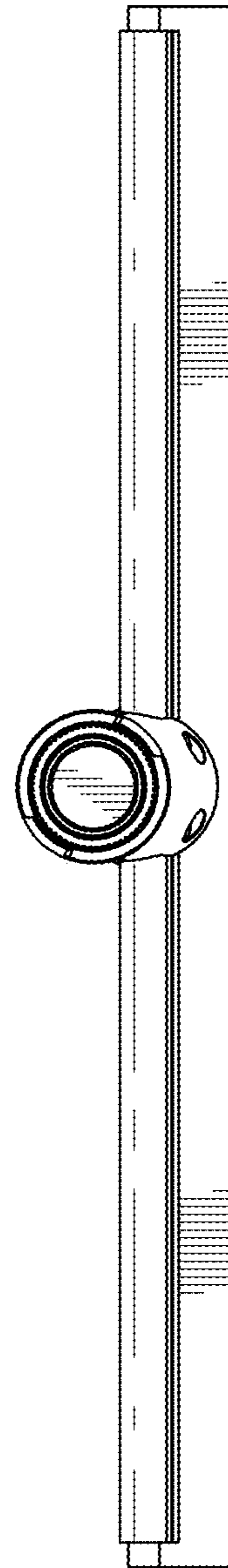
*FIG. 11*



*FIG. 12*



*FIG. 13*



*FIG. 14*

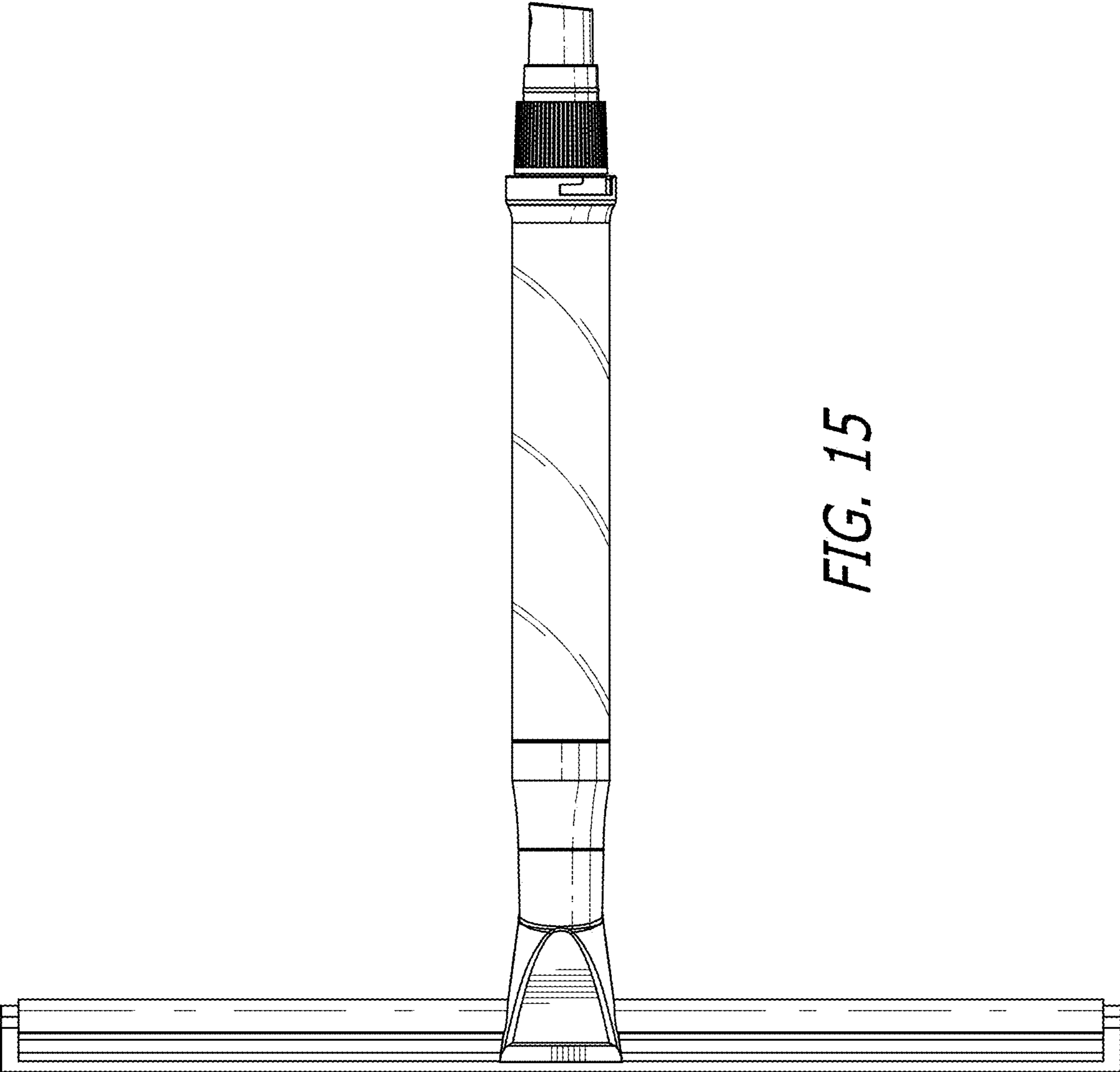


FIG. 15

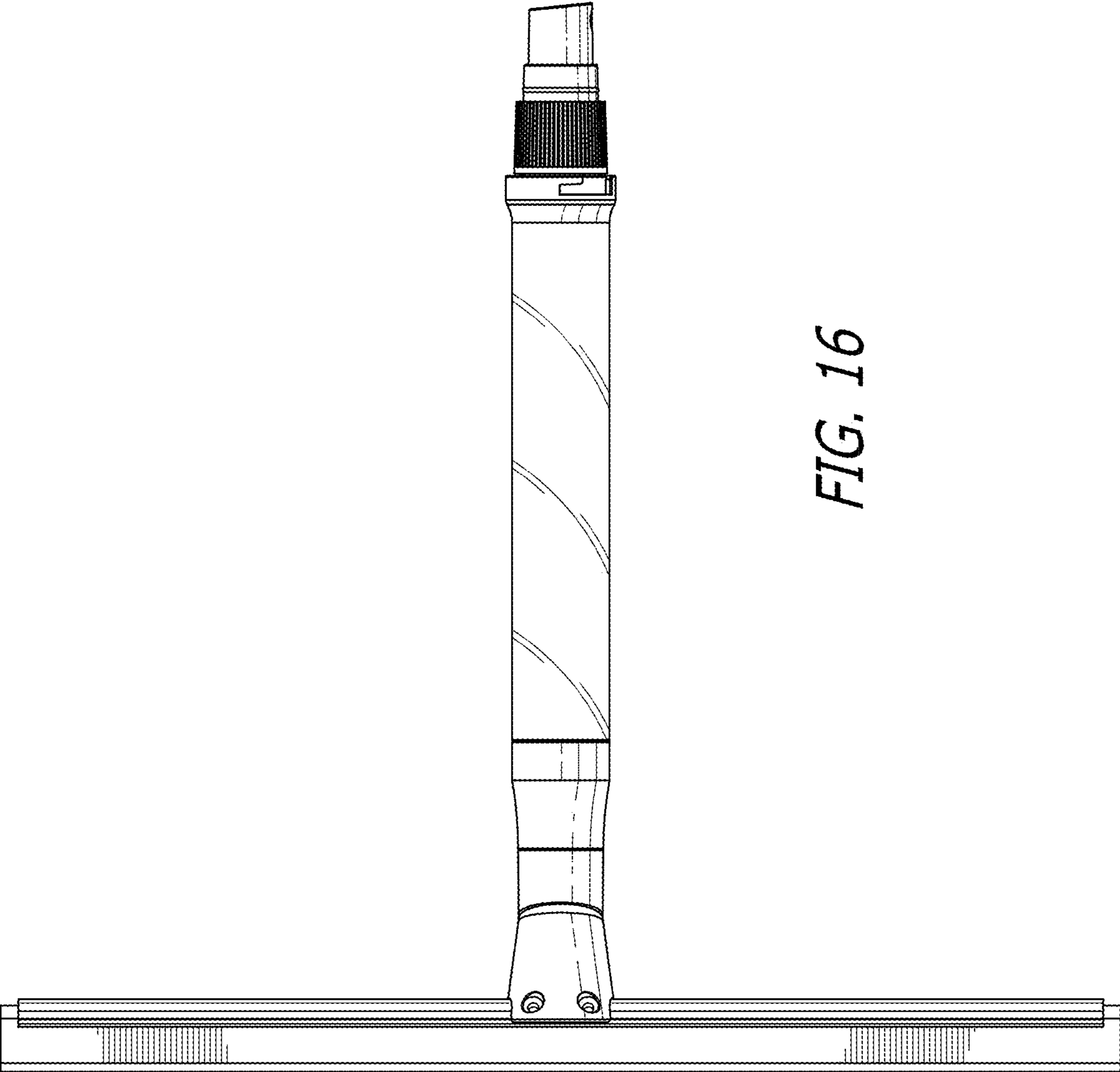


FIG. 16