



US00D950175S

(12) **United States Design Patent**  
**Dodgson**

(10) **Patent No.:** **US D950,175 S**  
(45) **Date of Patent:** **\*\* Apr. 26, 2022**

(54) **VACUUM CLEANER HEAD**  
(71) Applicant: **Dyson Technology Limited**, Wiltshire (GB)  
(72) Inventor: **Oliver Dodgson**, Swindon (GB)  
(73) Assignee: **Dyson Technology Limited**, Malmesbury (GB)  
(\*\*) Term: **15 Years**

9,750,380 B2\* 9/2017 McVey ..... A47L 9/04  
9,801,516 B2 10/2017 Zheng et al.  
9,907,446 B2 3/2018 Toole et al.  
9,949,605 B2 4/2018 Isley et al.  
10,092,150 B2 10/2018 Isley et al.  
D839,517 S 1/2019 Nam et al.  
D870,406 S 12/2019 Niedzwecki et al.  
D879,397 S 3/2020 Kim et al.  
D882,196 S 4/2020 Lee et al.  
D905,360 S 12/2020 Ma  
D905,918 S 12/2020 Pearce et al.  
10,925,454 B2\* 2/2021 Yang ..... A47L 9/0081

(Continued)

(21) Appl. No.: **29/739,779**  
(22) Filed: **Jun. 29, 2020**  
(30) **Foreign Application Priority Data**

Jan. 3, 2020 (EM) ..... 007471479-0001

(51) **LOC (13) Cl.** ..... **15-05**  
(52) **U.S. Cl.**  
USPC ..... **D32/32**  
(58) **Field of Classification Search**  
USPC ..... D32/17-25, 31-34  
CPC ..... A47L 7/00; A47L 9/02; A47L 5/28; A47L 9/102; A47L 9/1608; A47L 9/1683; A47L 5/30; A47L 9/00; A47L 9/04; A47L 9/0422; A47L 9/0461; A47L 9/06; A47L 9/0488; A47L 11/00; A47L 11/20; A47L 11/22; A47L 11/24; A47L 11/32; A47L 11/302; A47L 11/40  
See application file for complete search history.

(56) **References Cited**

**U.S. PATENT DOCUMENTS**

D622,465 S 8/2010 Crawley  
D709,258 S 7/2014 Guder et al.  
D719,309 S 12/2014 Ashbee et al.  
D725,854 S 3/2015 Yoshitomi  
D776,889 S 1/2017 Yoneda et al.  
9,554,680 B2 1/2017 Elsdon et al.

**OTHER PUBLICATIONS**

Dyson brings affordable vacuum cleaners first to Korea (on-line), published Jul. 23, 2020. Retrieved from Internet Aug. 30, 2021, URL: <http://www.koreaherald.com/view.php?ud=20200723000970> (3 pages) (Year: 2020).

*Primary Examiner* — Kimberly Barnes

(74) *Attorney, Agent, or Firm* — Faegre Drinker Biddle & Reath LLP

(57) **CLAIM**

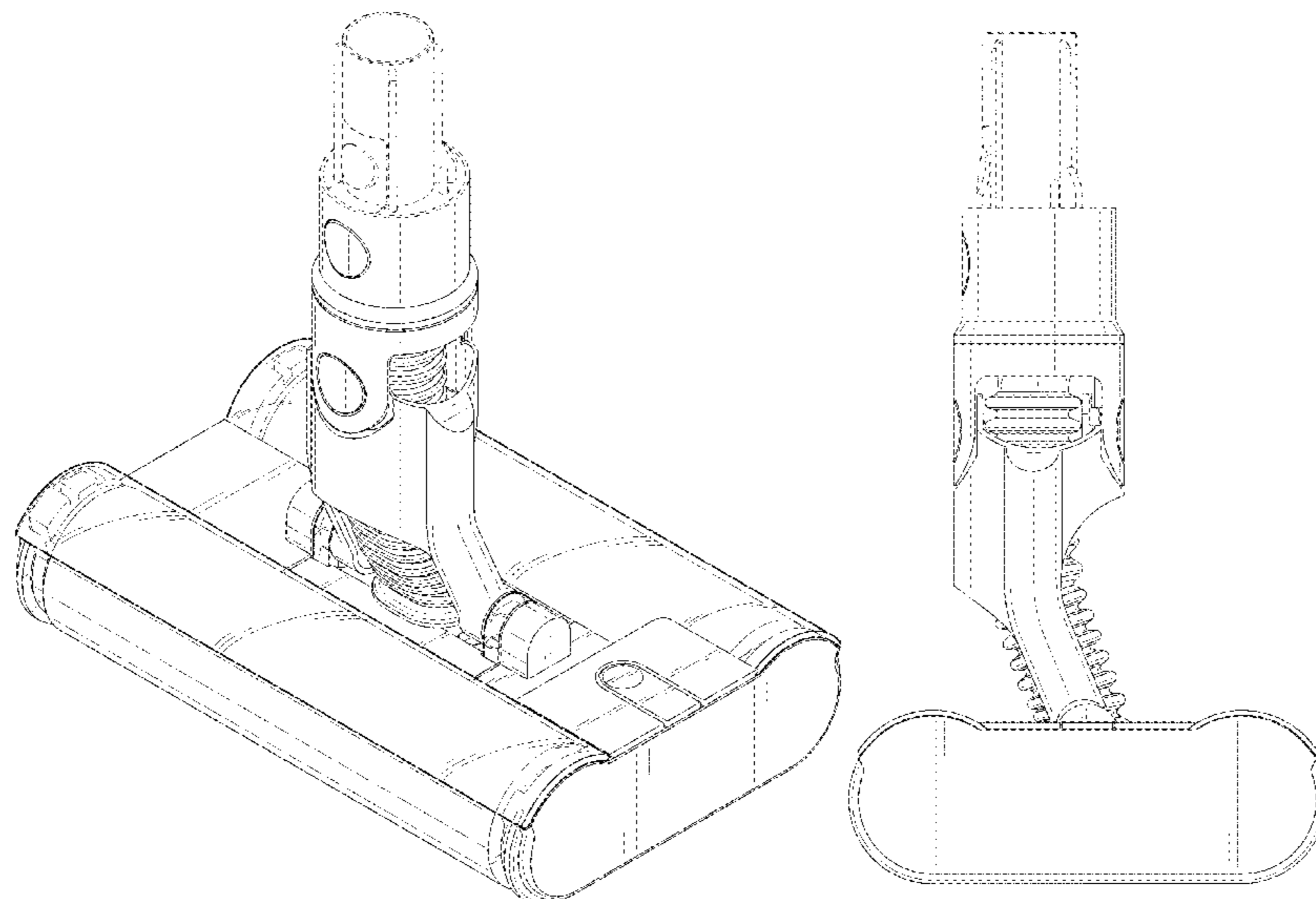
I claim the ornamental design for a vacuum cleaner head, as shown and described.

**DESCRIPTION**

FIG. 1 is a front perspective view of a part of a vacuum cleaner head showing our new design; FIG. 2 is a front view thereof; FIG. 3 is a rear view thereof; FIG. 4 is a side view thereof; FIG. 5 is a side view of the opposite side of FIG. 4; FIG. 6 is a top view thereof; and, FIG. 7 is a bottom view thereof.

The broken lines shown in the drawings illustrate portions of a vacuum cleaner head that form no part of the claimed design.

**1 Claim, 7 Drawing Sheets**



(56)

**References Cited**

U.S. PATENT DOCUMENTS

D912,344 S 3/2021 Choi et al.  
D912,348 S 3/2021 Choi  
D914,306 S 3/2021 Knapp et al.  
10,952,579 B2\* 3/2021 Knight Adams ..... A47L 5/24  
D920,609 S 5/2021 Ma  
D922,015 S 6/2021 Polden et al.  
D927,809 S 8/2021 Kim et al.  
D932,124 S \* 9/2021 Lin ..... D32/22  
D933,320 S \* 10/2021 Bloemendaal ..... D32/22  
D935,121 S \* 11/2021 Luo ..... D32/32  
2018/0192836 A1 7/2018 Dodgson  
2020/0069131 A1\* 3/2020 Jung ..... A47L 9/2884  
2020/0187739 A1\* 6/2020 Choi ..... A47L 9/14  
2020/0204034 A1\* 6/2020 Shin ..... H02K 15/095  
2020/0221914 A1\* 7/2020 Kim ..... A47L 9/242  
2020/0245831 A1\* 8/2020 Peng ..... A47L 9/02  
2020/0315416 A1 10/2020 Hong et al.

\* cited by examiner

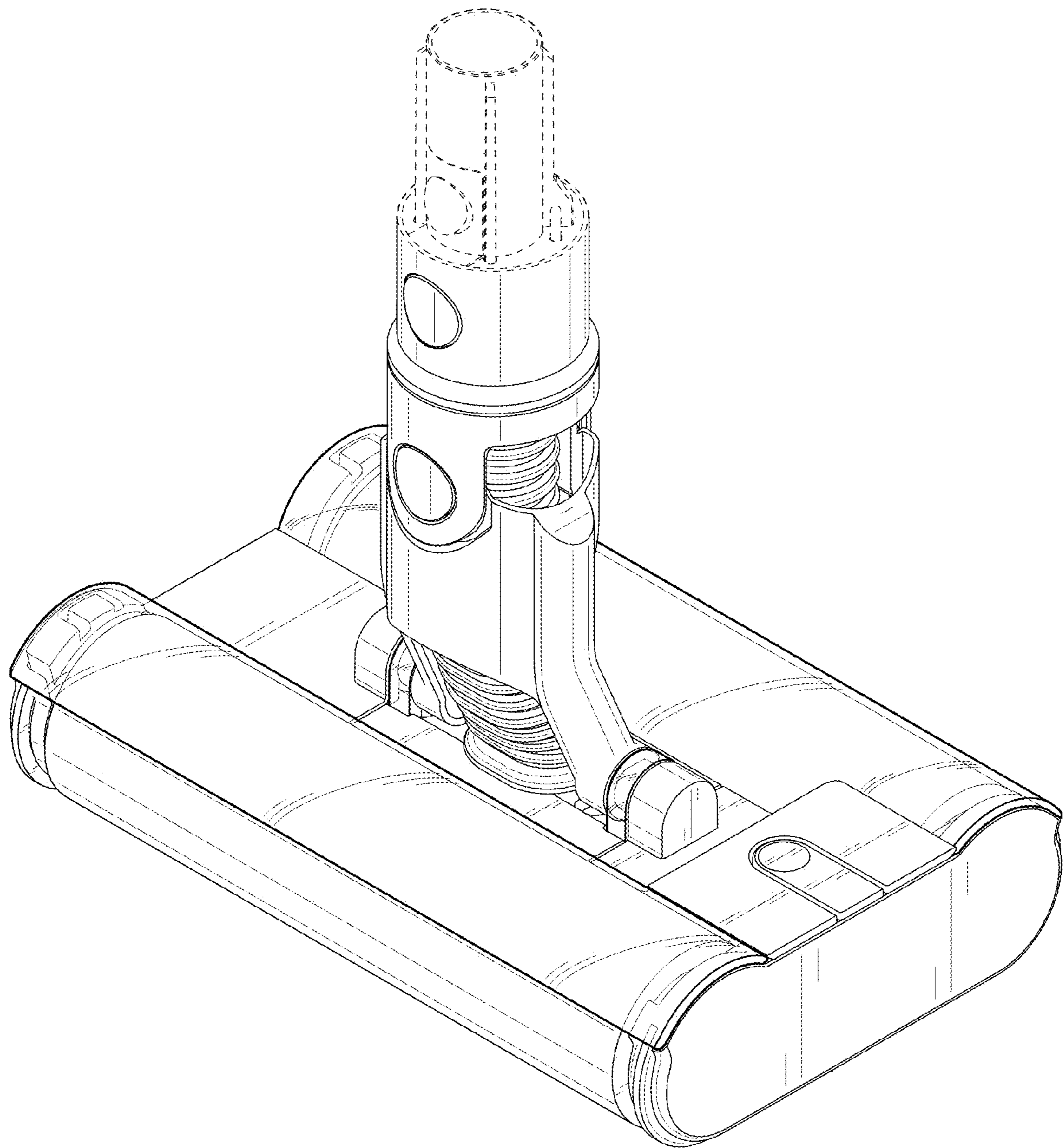


FIG. 1

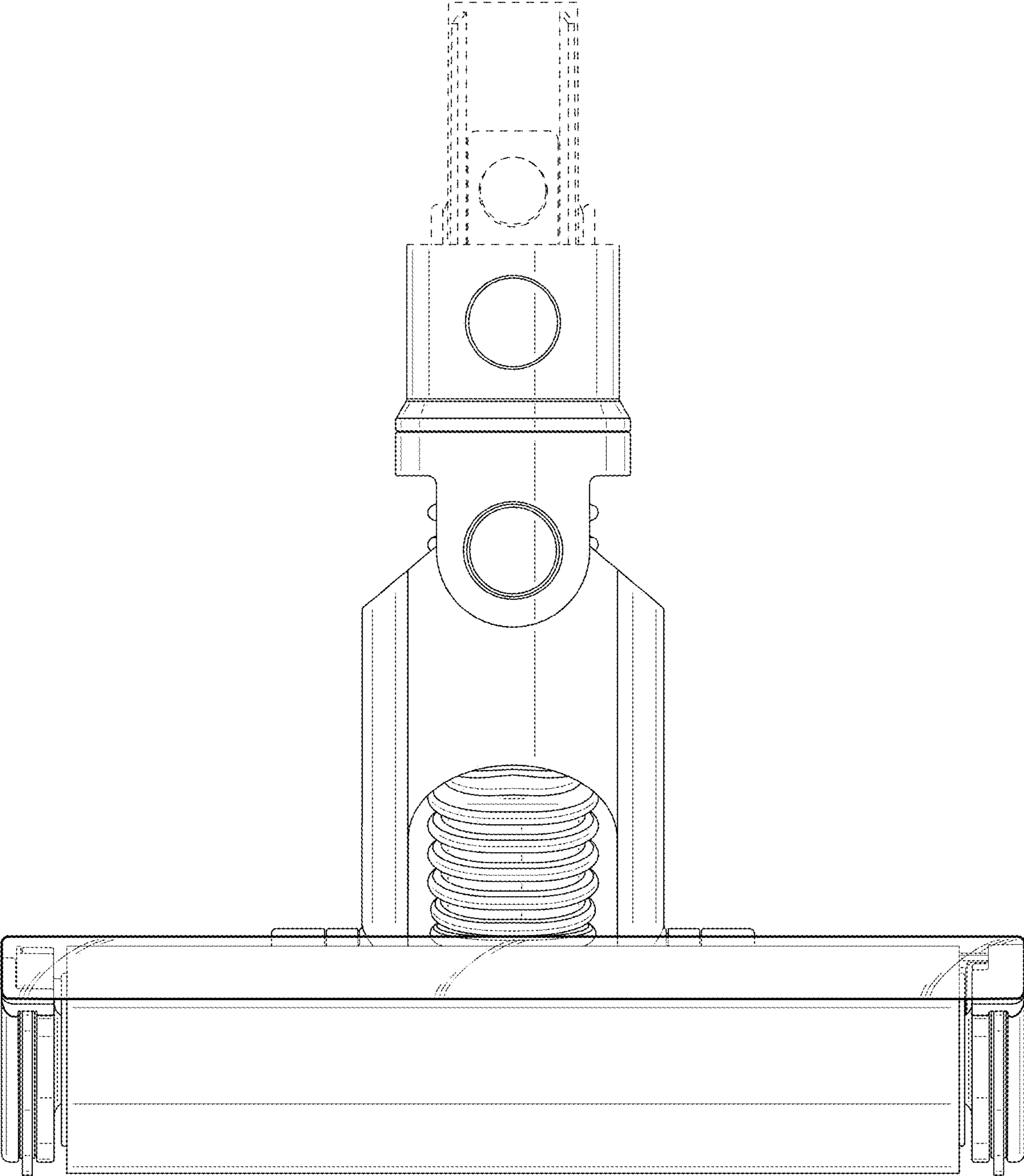


FIG. 2

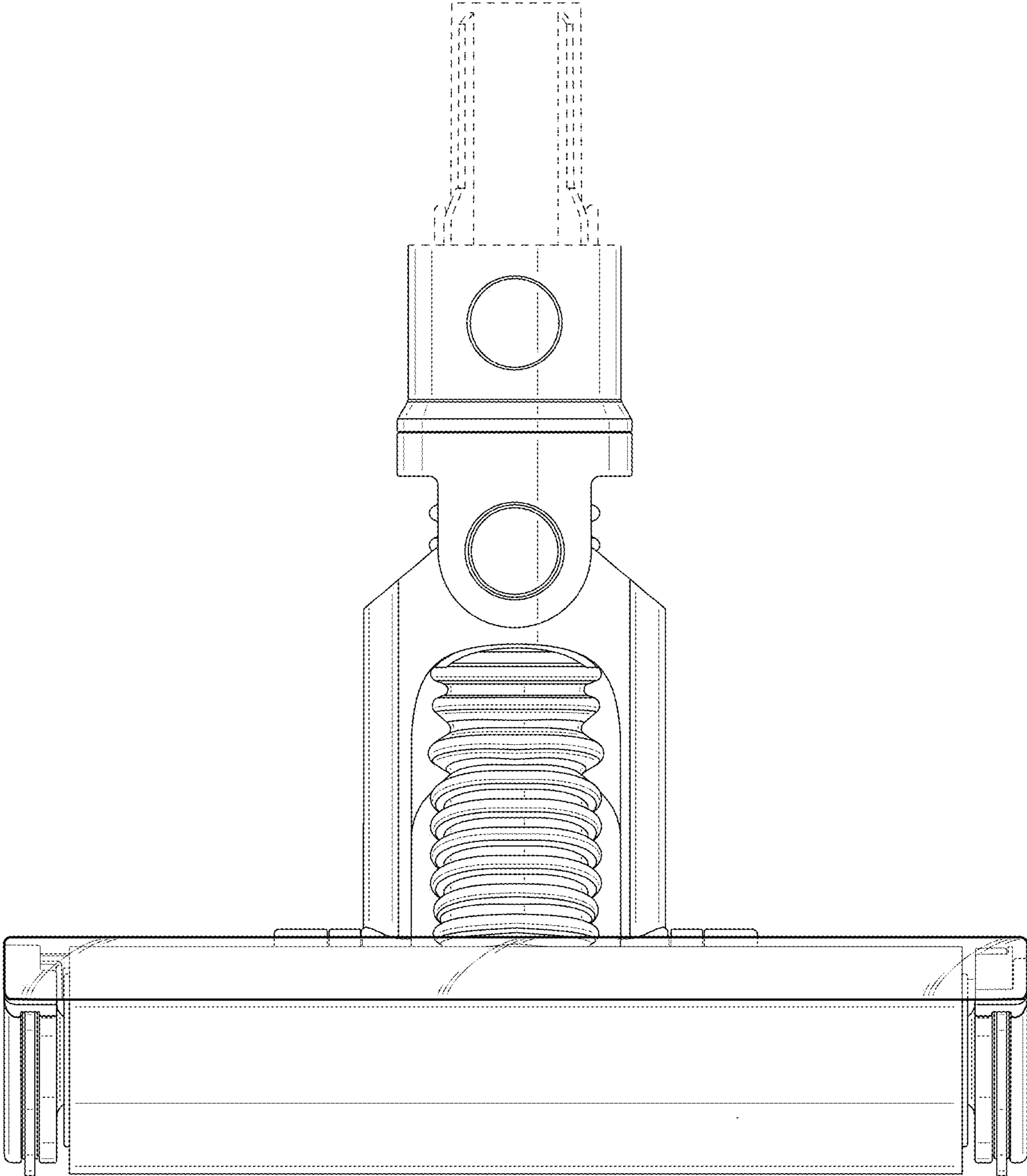


FIG. 3

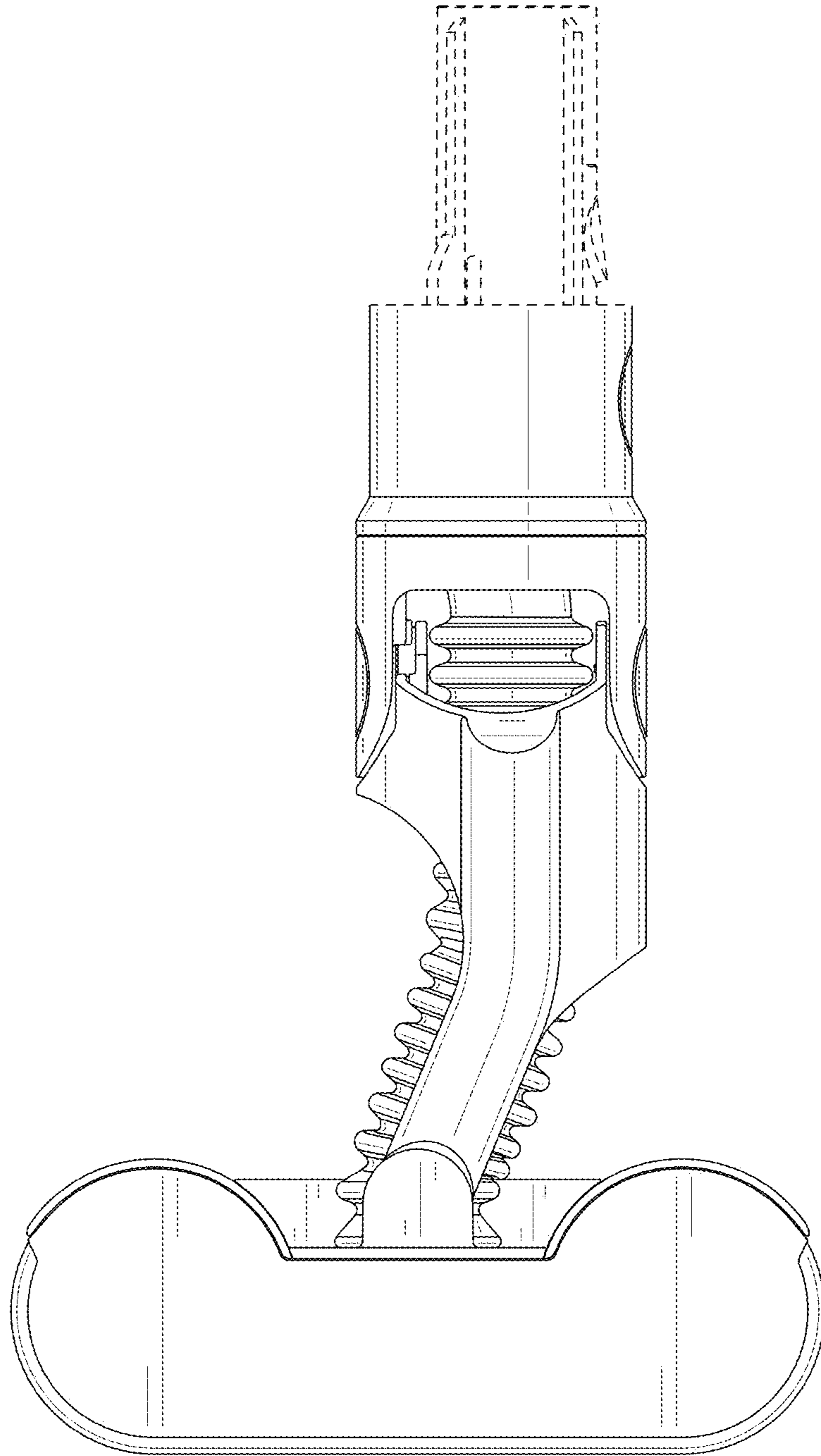


FIG. 4

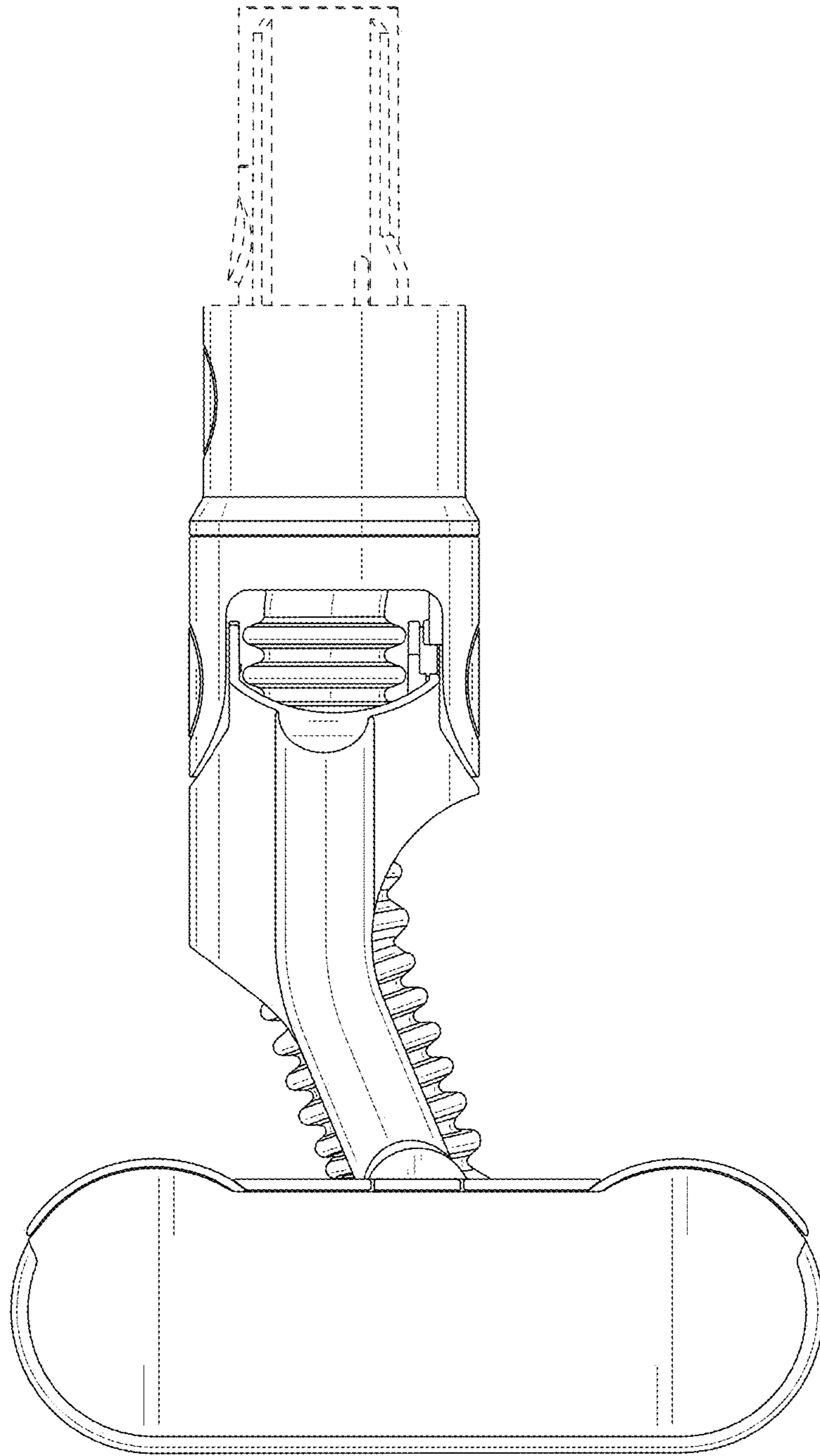


FIG. 5

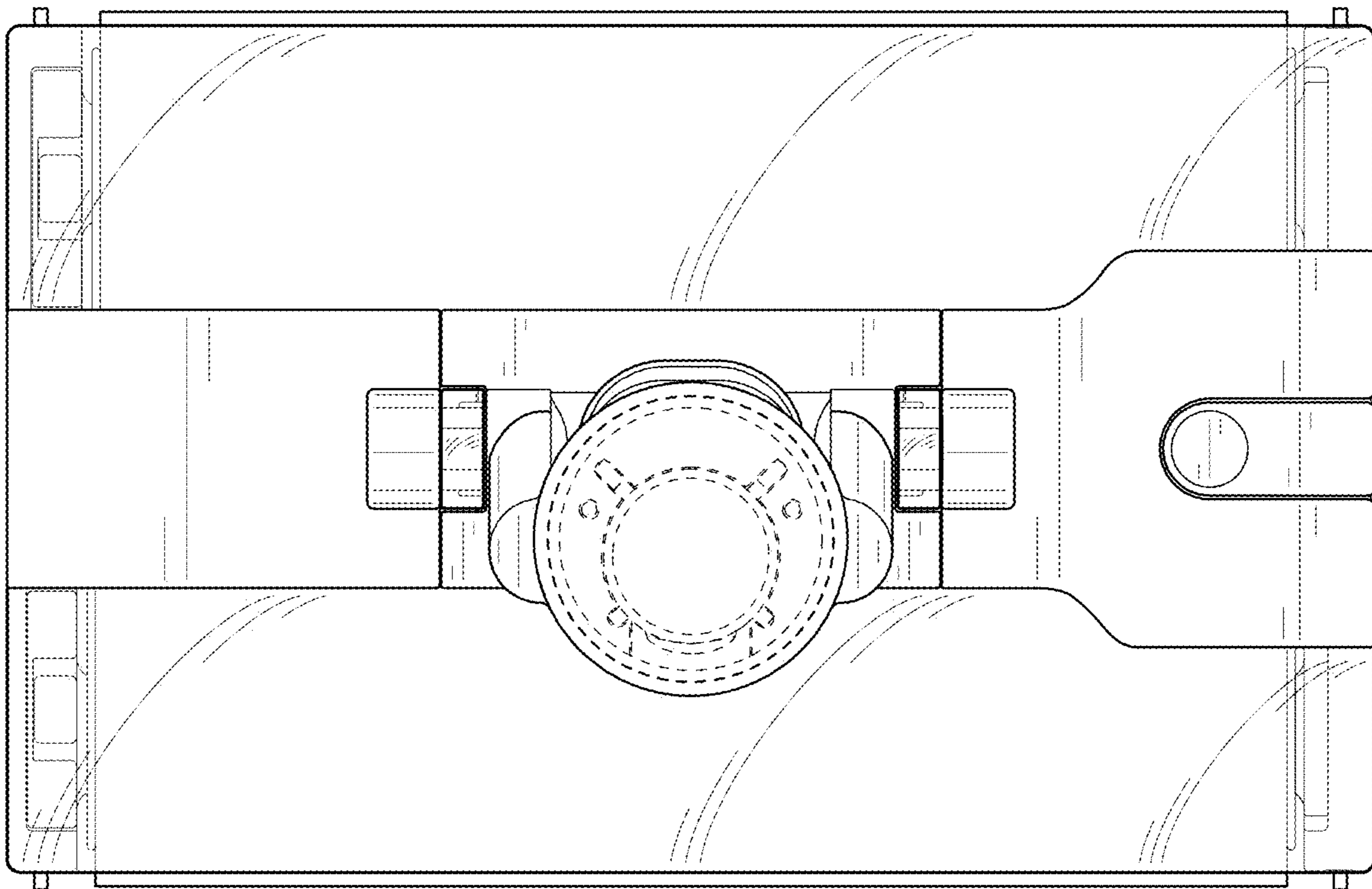


FIG. 6



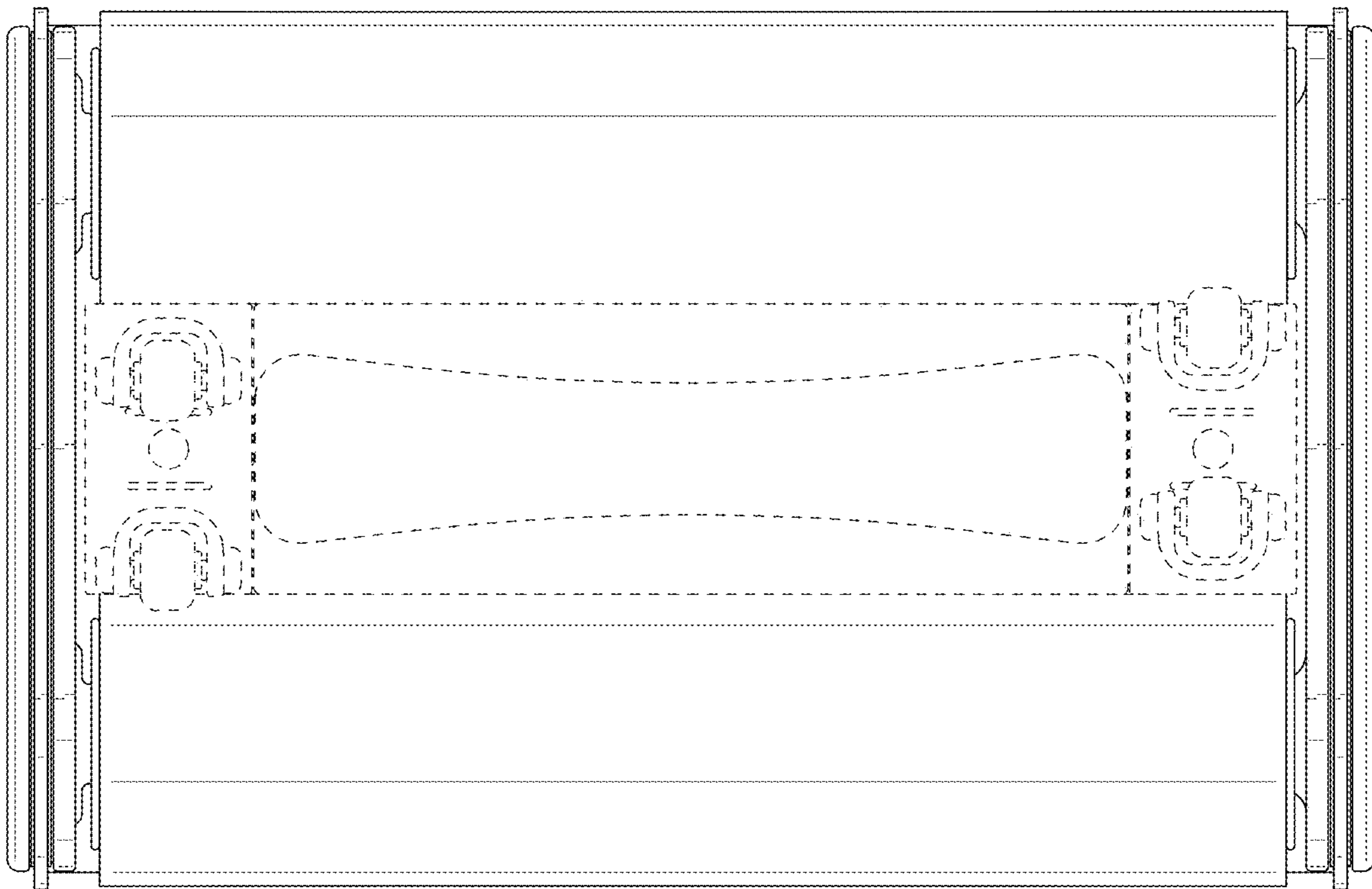


FIG. 7