



US00D950174S

(12) **United States Design Patent**
Dimbylow et al.

(10) **Patent No.:** **US D950,174 S**
(45) **Date of Patent:** **** Apr. 26, 2022**

(54) **VACUUM CLEANER BATTERY**
(71) Applicant: **Dyson Technology Limited**, Wiltshire (GB)
(72) Inventors: **Stephen Robert Dimbylow**, Swindon (GB); **Anthony Andrew Buchanan Harker**, Oxford (GB); **Samuel Steven Cole**, Swindon (GB); **Robert Hinchliffe**, Bristol (GB); **Christopher Graham Vincent**, Swindon (GB)

D287,896 S * 1/1987 Genoa D32/32
D453,867 S * 2/2002 Zahuranec D32/31
D577,165 S * 9/2008 Quance D32/34
D674,158 S * 1/2013 Kim D32/31
D779,753 S * 2/2017 Mikula D32/32
D785,264 S * 4/2017 Webster D32/31
D860,562 S * 9/2019 Rasmussen D32/34
D873,516 S * 1/2020 Palladino D32/32
2016/0037989 A1 * 2/2016 Theising A47L 9/02
15/324

(Continued)

(73) Assignee: **Dyson Technology Limited**, Malmesbury (GB)

(**) Term: **15 Years**

(21) Appl. No.: **29/737,624**

(22) Filed: **Jun. 10, 2020**

(30) **Foreign Application Priority Data**

Dec. 11, 2019 (EM) 007383674-0004

(51) **LOC (13) Cl.** **15-05**

(52) **U.S. Cl.**
USPC **D32/31**

(58) **Field of Classification Search**
USPC D32/17-25, 31-34
CPC A47L 7/00; A47L 9/02; A47L 5/24; A47L 5/26; A47L 5/28; A47L 9/102; A47L 9/1608; A47L 9/1683; A47L 9/2857; A47L 5/30; A47L 9/00; A47L 9/04; A47L 9/0461; A47L 9/06; A47L 9/0488; A47L 11/00; A47L 11/20; A47L 11/40
See application file for complete search history.

(56) **References Cited**

U.S. PATENT DOCUMENTS

D217,285 S * 4/1970 Anderson D32/31
4,368,348 A * 1/1983 Eichelberger F16L 11/127
138/111

OTHER PUBLICATIONS

Dyson Omni-Glide Cordless Vacuum Cleaner (on-line), review updated May 4, 2021. Retrieved from Internet Oct. 6, 2021, URL: <https://www.techwalls.com/dyson-omni-glide-cordless-vacuum-cleaner-review/> (4 pages) (Year: 2021).*

(Continued)

Primary Examiner — Kimberly Barnes

(74) *Attorney, Agent, or Firm* — Faegre Drinker Biddle & Reath LLP

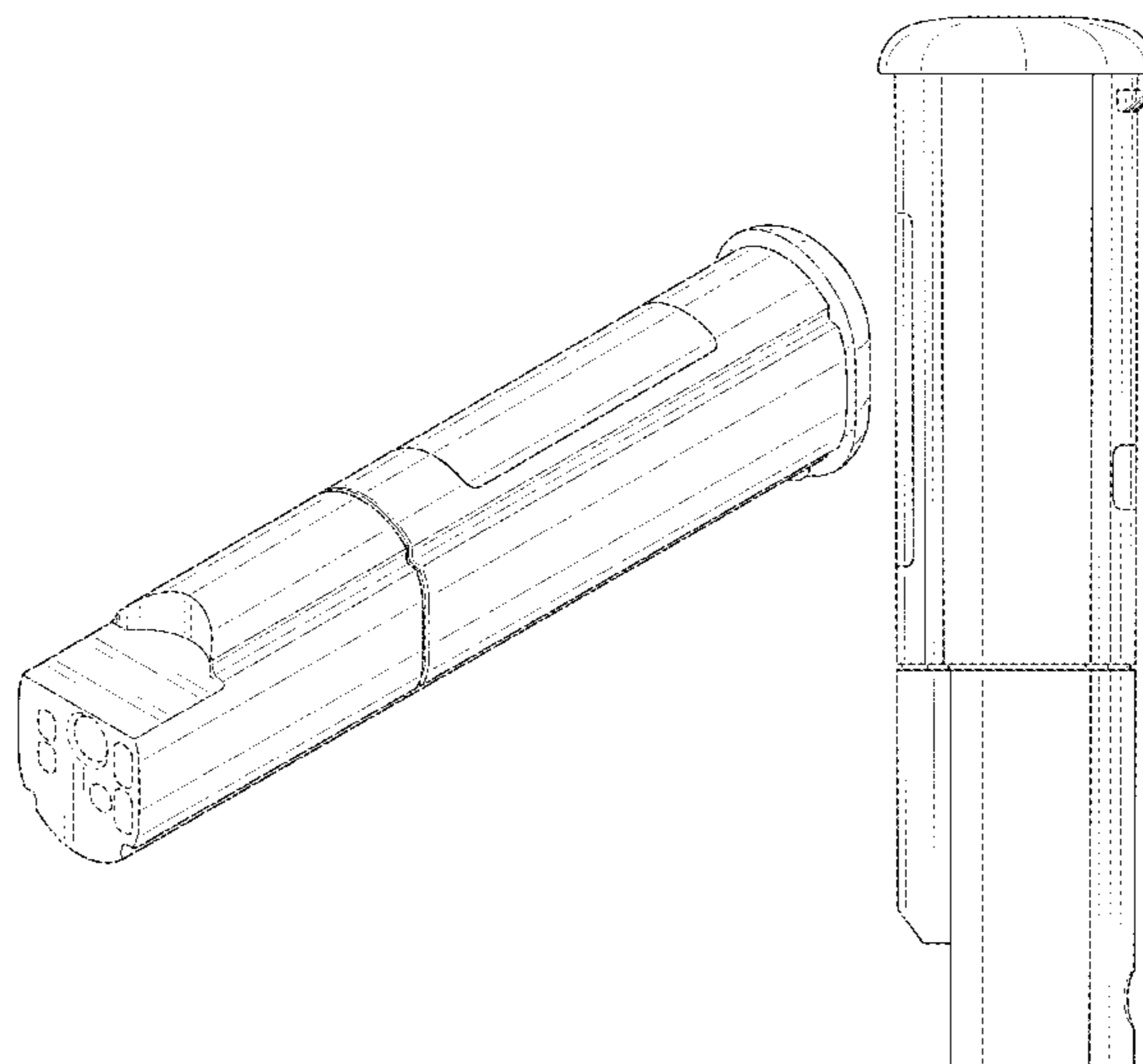
(57) **CLAIM**

We claim the ornamental design for a vacuum cleaner battery, as shown and described.

DESCRIPTION

FIG. 1 is a front perspective view of a vacuum cleaner battery showing our new design;
FIG. 2 is a front view thereof;
FIG. 3 is a rear view thereof;
FIG. 4 is a side view thereof;
FIG. 5 is a side view of the opposite side of FIG. 4;
FIG. 6 is a top view thereof; and,
FIG. 7 is a bottom view thereof.
The broken lines shown in the drawings illustrate portions of a vacuum cleaner battery that form no part of the claimed design.

1 Claim, 7 Drawing Sheets



(56)

References Cited

U.S. PATENT DOCUMENTS

2021/0177221 A1* 6/2021 Bosses A47L 9/2873
2021/0204768 A1* 7/2021 Scott A47L 5/225

OTHER PUBLICATIONS

Dyson Omni-glide Review (on-line), reviewed Apr. 23, 2021.
Retrieved from Internet Oct. 6, 2021, URL: <https://web.archive.org/web/20210429033057/https://www.rtings.com/vacuum/reviews/dyson/omni-glide> (2 pages) (Year: 2021).*

* cited by examiner

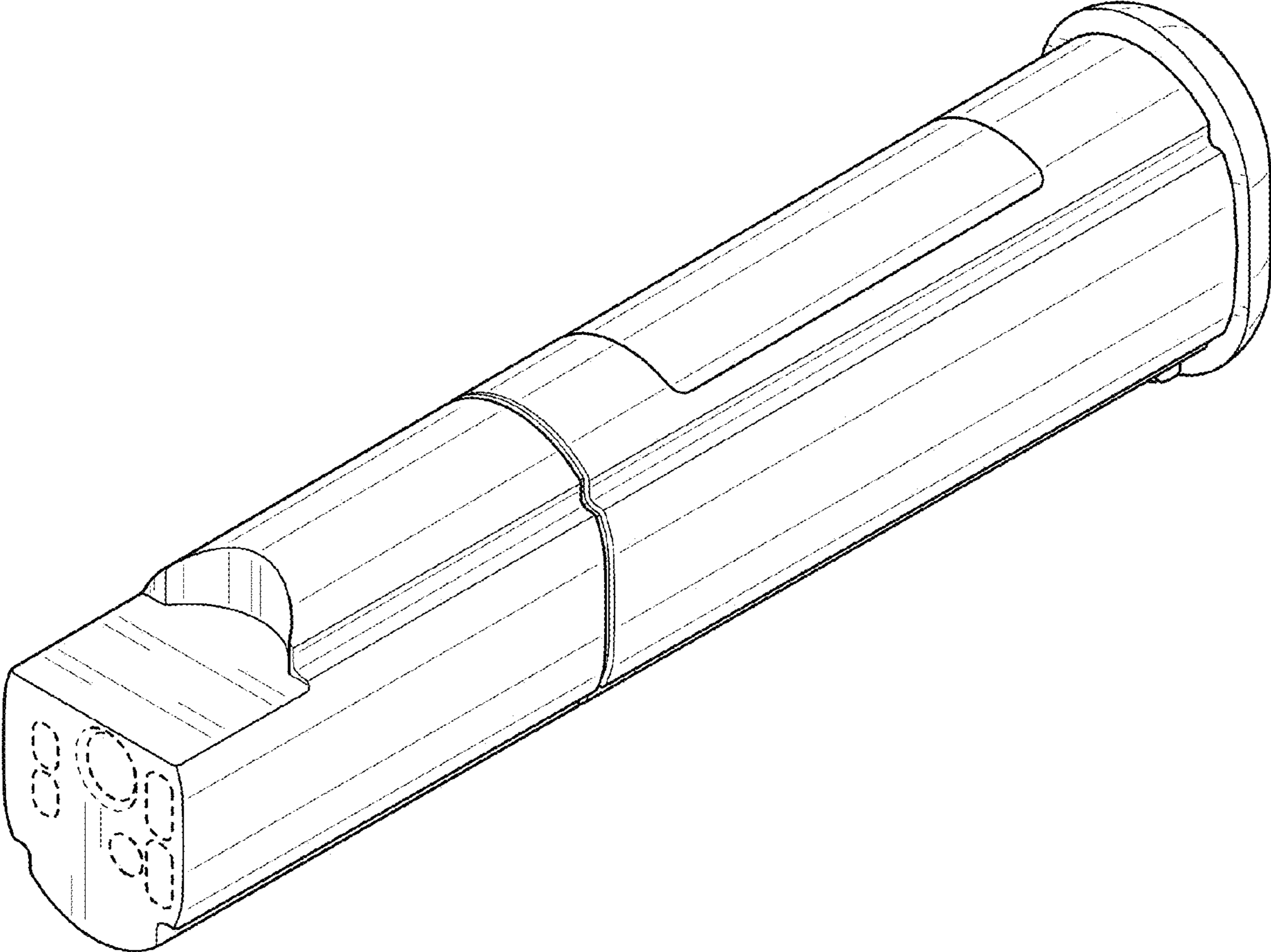


FIG. 1

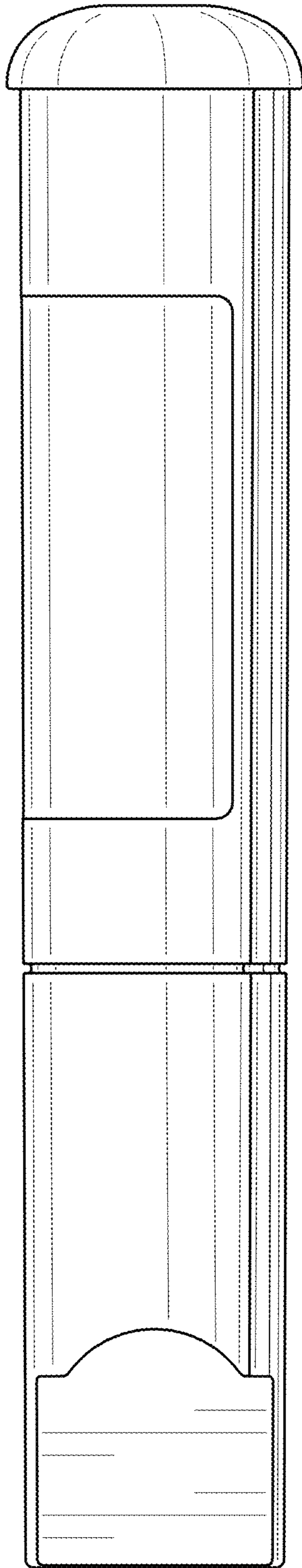


FIG. 2

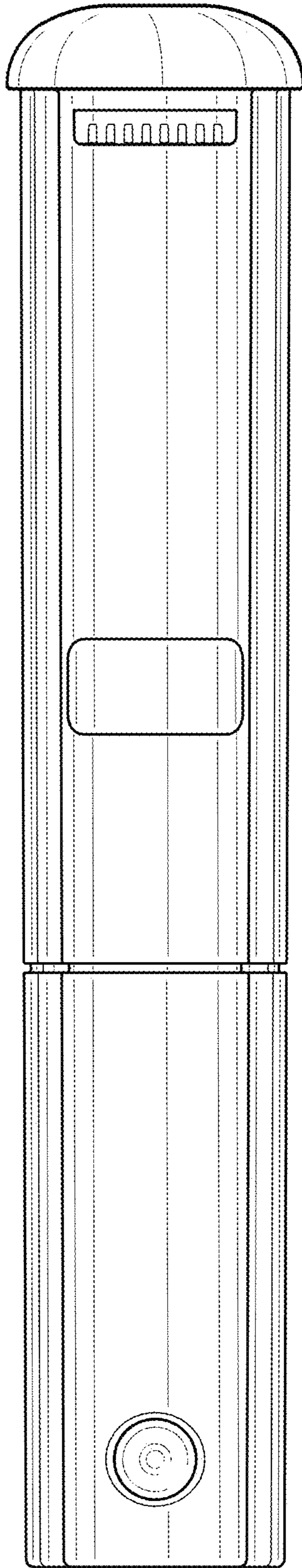


FIG. 3

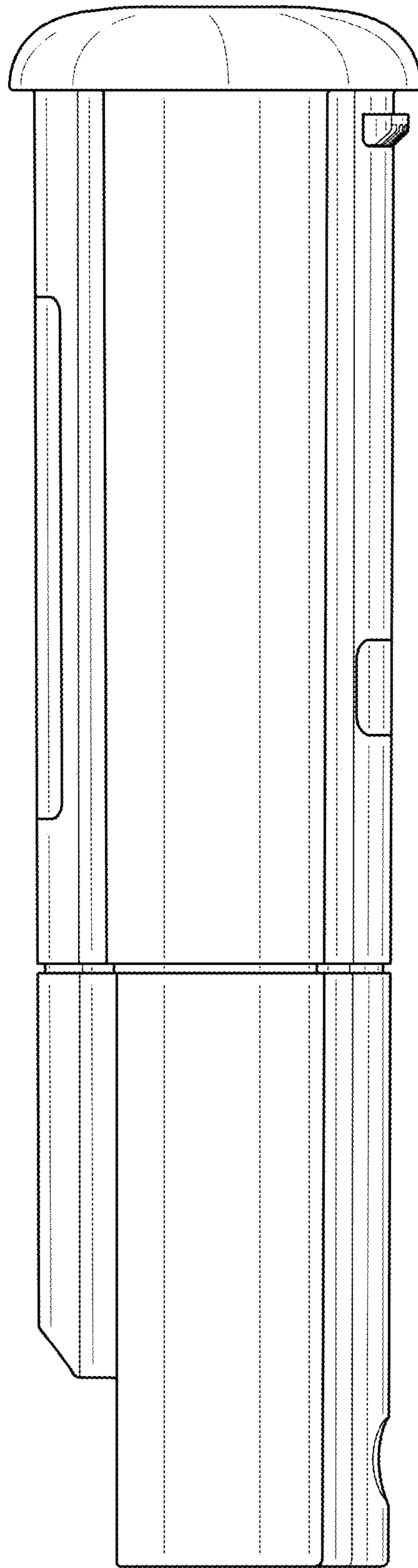


FIG. 4

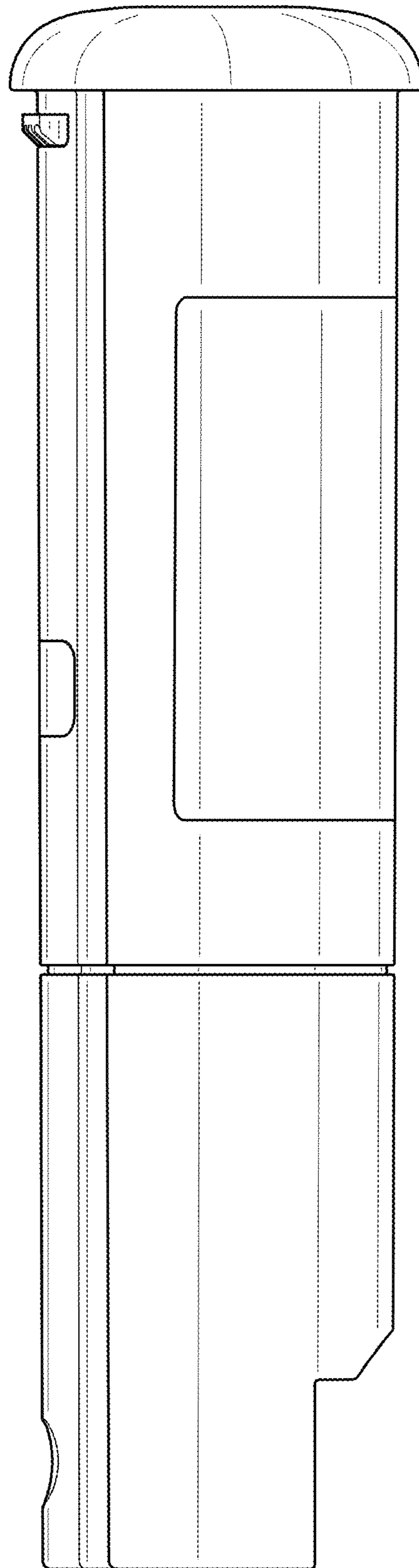


FIG. 5

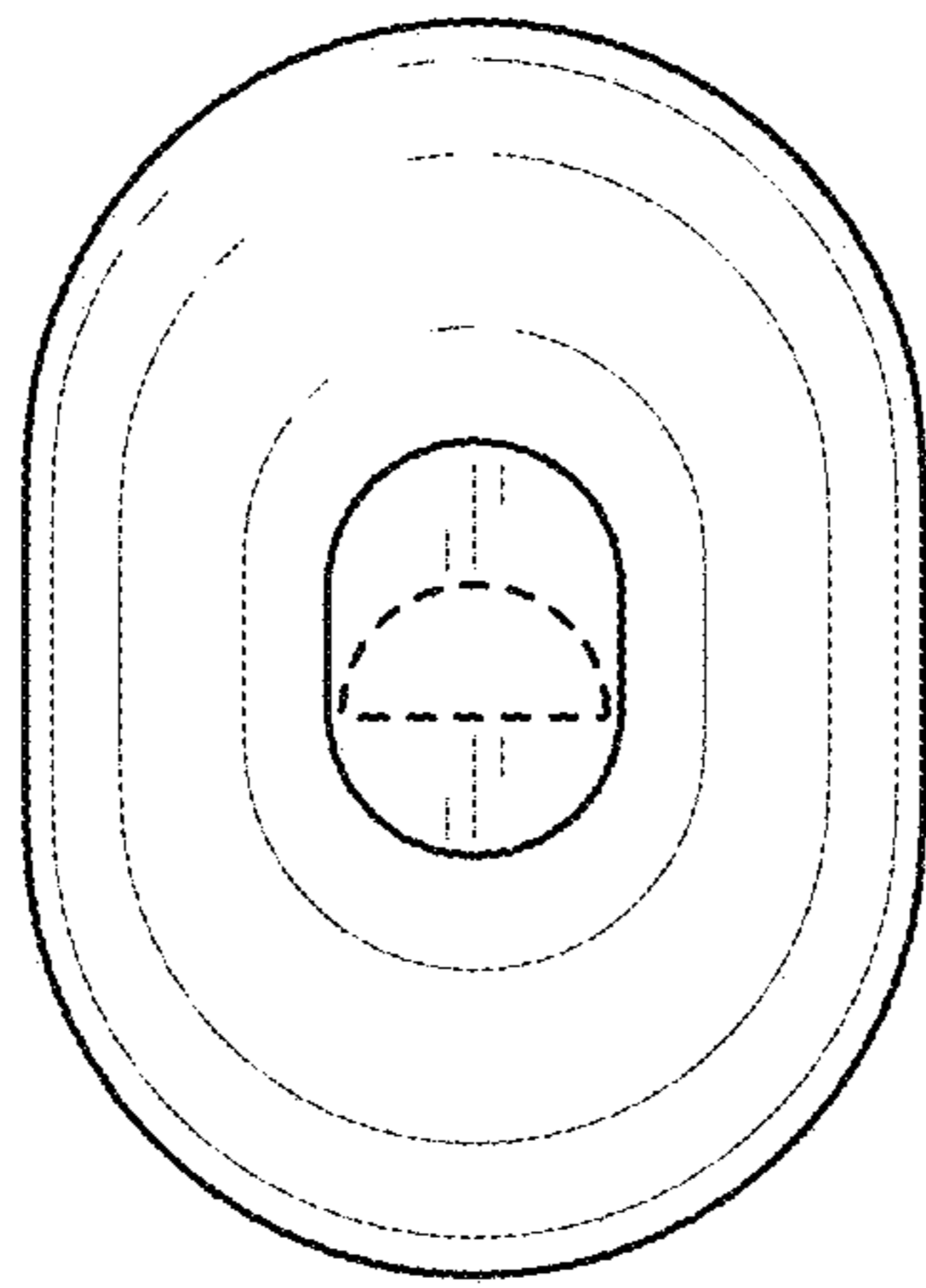


FIG. 6

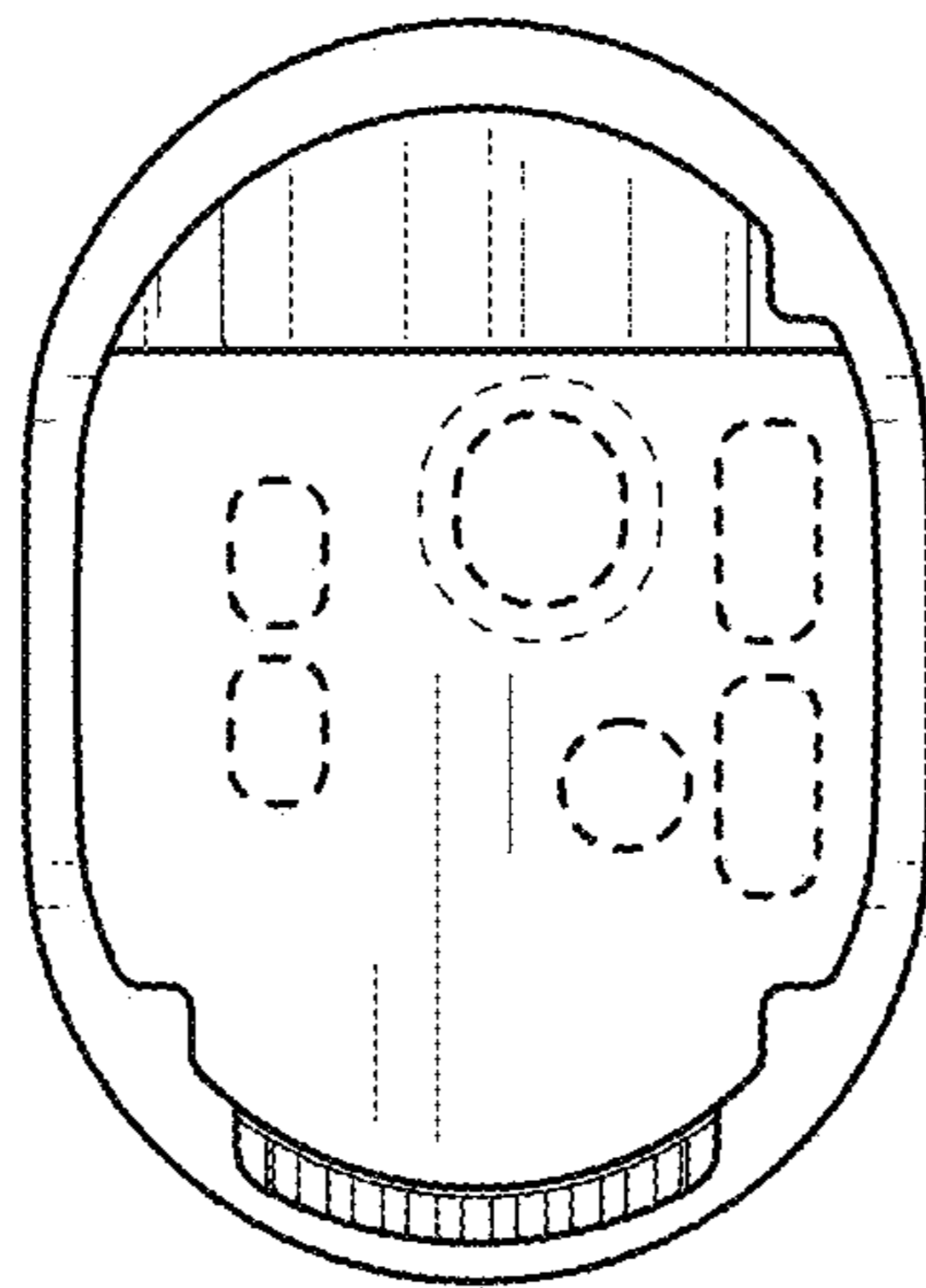


FIG. 7