



US00D950172S

(12) **United States Design Patent**
Ben-Simon

(10) **Patent No.:** **US D950,172 S**
(45) **Date of Patent:** **** Apr. 26, 2022**

(54) **SWIMMING POOL CLEANER**
(71) Applicant: **MAYTRONICS LTD.**, Kibbutz Yizrael (IL)
(72) Inventor: **Jackov-Guy Ben-Simon**, Yokneam (IL)
(73) Assignee: **MAYTRONICS LTD.**, Kibbutz Yizrael (IL)
(**) Term: **15 Years**

10,246,894 B2 * 4/2019 Deloche E04H 4/1654
10,557,278 B2 * 2/2020 Hayes B04C 9/00
D881,751 S * 4/2020 Degtyarev D12/7
D881,752 S * 4/2020 Degtyarev D12/7
D884,037 S * 5/2020 Jacobsthal D15/33
D898,778 S * 10/2020 Brandt D15/17
D908,739 S * 1/2021 Zong D15/25
2012/0210527 A1 * 8/2012 Erlich E04H 4/1654
15/1.7
2013/0031734 A1 * 2/2013 Porat E04H 4/1654
15/49.1
2014/0166045 A1 * 6/2014 Herring E04H 4/1654
134/1

(21) Appl. No.: **29/733,565**

(22) Filed: **May 4, 2020**

(30) **Foreign Application Priority Data**

Feb. 2, 2020 (EP) 007664222-0001

(51) **LOC (13) Cl.** **15-05**

(52) **U.S. Cl.**
USPC **D32/15**

(58) **Field of Classification Search**
USPC D8/62; D12/7; D15/17, 25, 33, 199;
D32/15, 21

CPC .. E04H 4/1654; E04H 4/1636; H02K 7/1823;
C02F 1/001; B62D 55/084; B04C 9/00;
F16H 1/22

See application file for complete search history.

(56) **References Cited**

U.S. PATENT DOCUMENTS

5,435,031 A * 7/1995 Minami E04H 4/1654
15/1.7
6,206,547 B1 * 3/2001 Erlich E04H 4/1654
15/1.7
D443,737 S * 6/2001 Rief D32/15
D444,280 S * 6/2001 Rief D32/21
D525,841 S * 8/2006 Lind D8/62
D782,552 S * 3/2017 Casadio D15/199
9,878,739 B1 * 1/2018 Marciano F16H 1/22

(Continued)

OTHER PUBLICATIONS

Wifi Caddy <https://www.azpoolsupplies.com/dolphin-m600-robotic-cleaner-w-wifi-caddy/> (Year: 2021).*

(Continued)

Primary Examiner — Michelle E. Wilson

Assistant Examiner — Richard E Yenchesky

(74) *Attorney, Agent, or Firm* — Isus Intellectual Property PLLC; Anthony Jason Mirabito

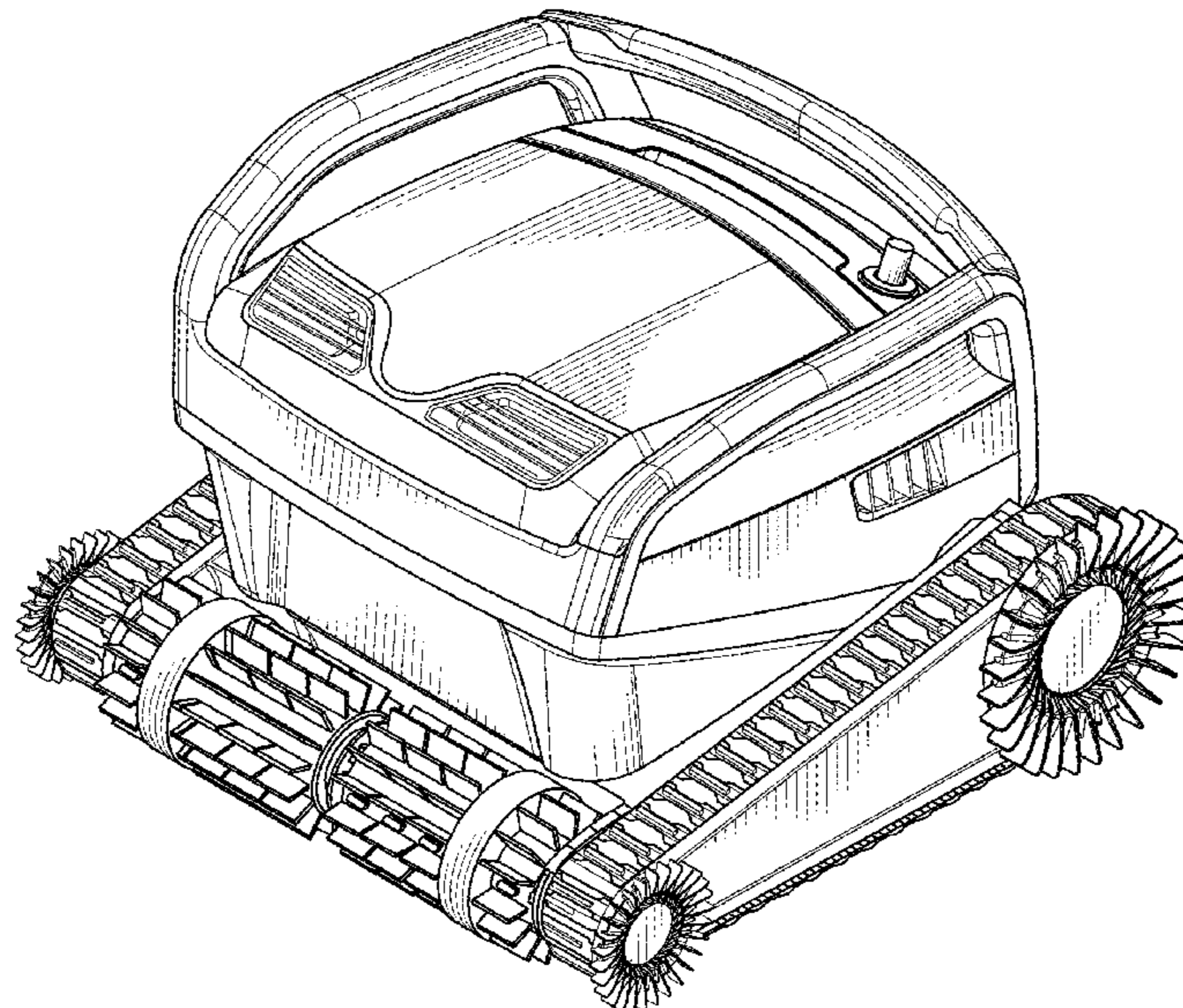
(57) **CLAIM**

The ornamental design for a swimming pool cleaner, as shown and described.

DESCRIPTION

FIG. 1 is a top perspective view of the new design.
FIG. 2 is a rear elevation view of the new design.
FIG. 3 is a front elevation view of the new design.
FIG. 4 is a right elevation view of the new design.
FIG. 5 is a left elevation view of the new design.
FIG. 6 is a bottom plan view of the new design; and,
FIG. 7 is a top plan view of the new design.
The broken lines in the drawings are for illustrative purposes only and form no part of the claimed design.

1 Claim, 7 Drawing Sheets



(56)

References Cited

U.S. PATENT DOCUMENTS

2016/0145884 A1* 5/2016 Erlich E04H 4/1636
15/1.7
2018/0066443 A1* 3/2018 Zerweck B62D 55/084
2018/0135326 A1* 5/2018 Witelson H02K 7/1823
2018/0150963 A1* 5/2018 Michelin E04H 4/1654
2018/0163422 A1* 6/2018 Klebanov C02F 1/001
2018/0298628 A1* 10/2018 Hui E04H 4/1636
2020/0256076 A1* 8/2020 van der Meijden .. E04H 4/1654
2020/0332546 A1* 10/2020 Borg E04H 4/1654

OTHER PUBLICATIONS

Dolphin Zenit <https://www.buyaswimmingpool.co.uk/dolphin-zenit-60-robotic-pool-cleaner.html> (Year: 2021).*

* cited by examiner

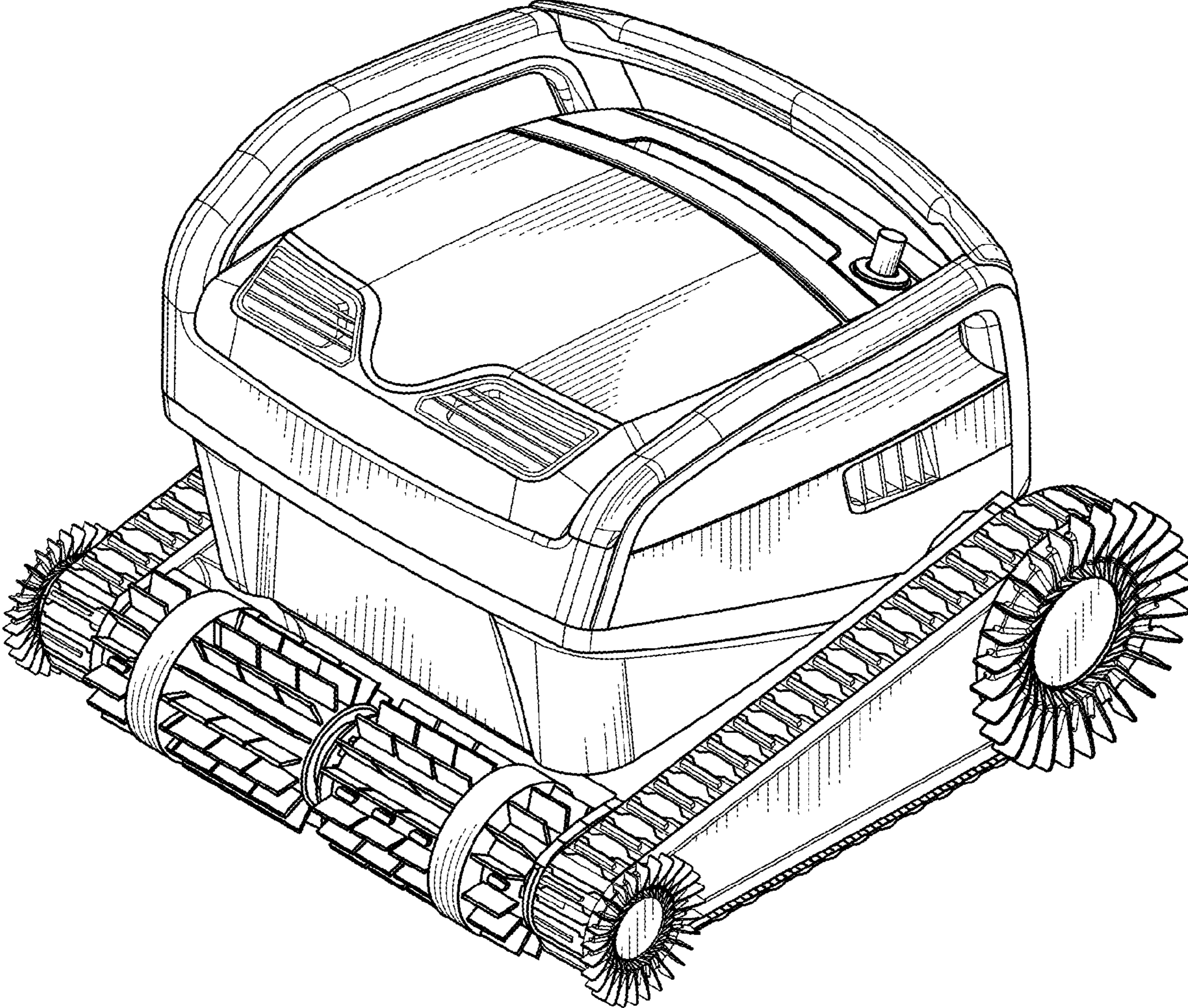


FIG. 1

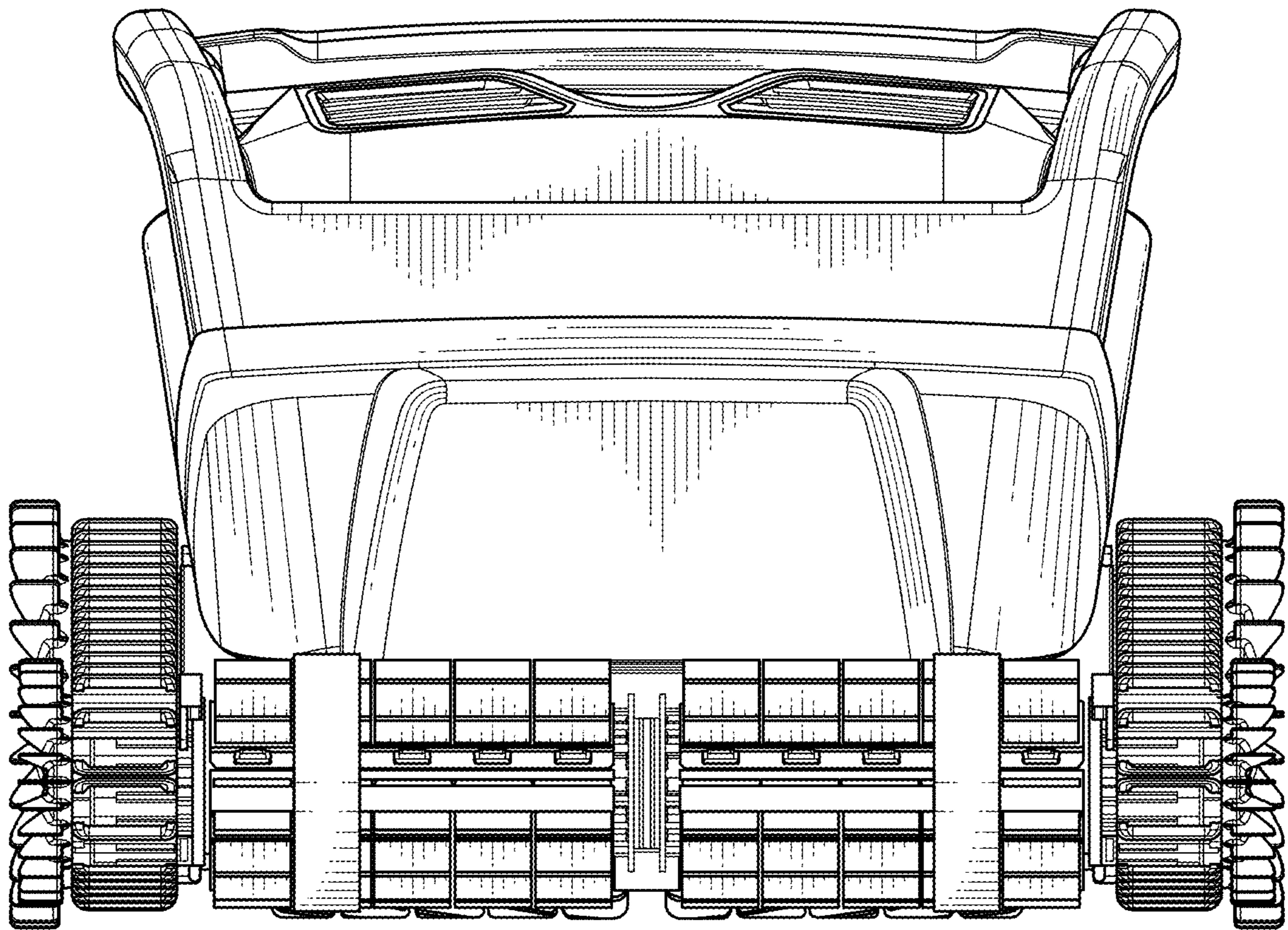


FIG. 2

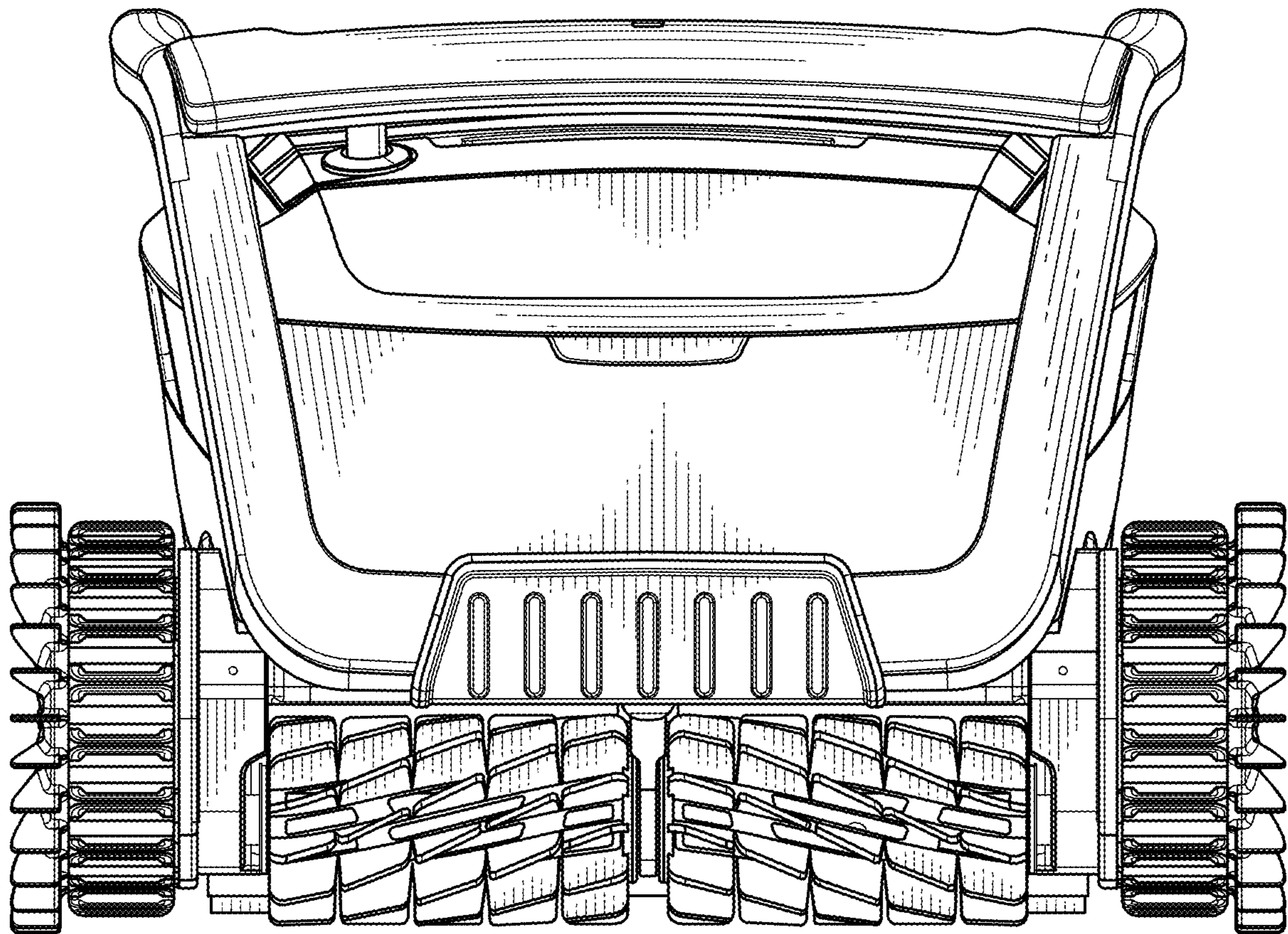


FIG. 3

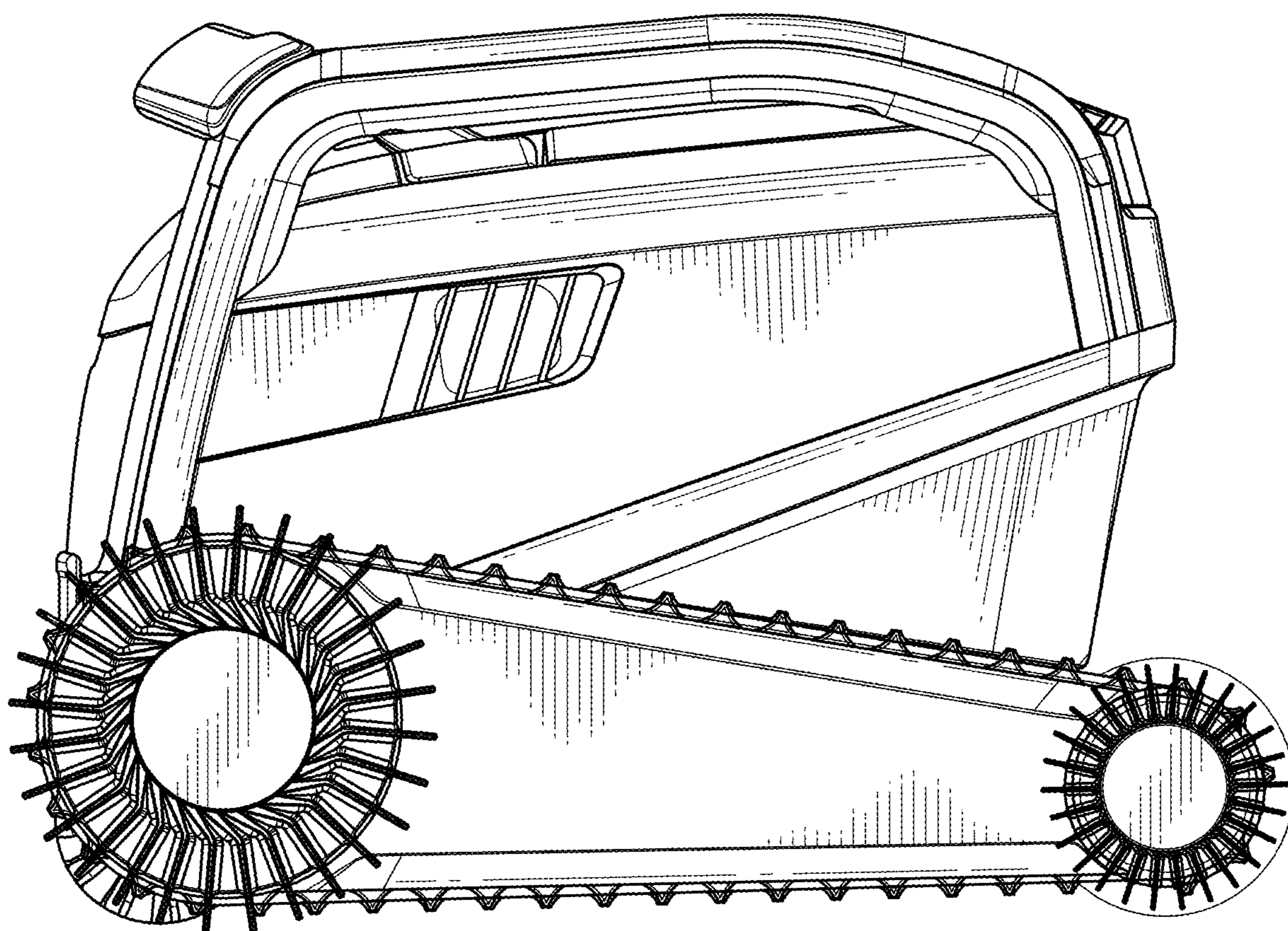


FIG. 4

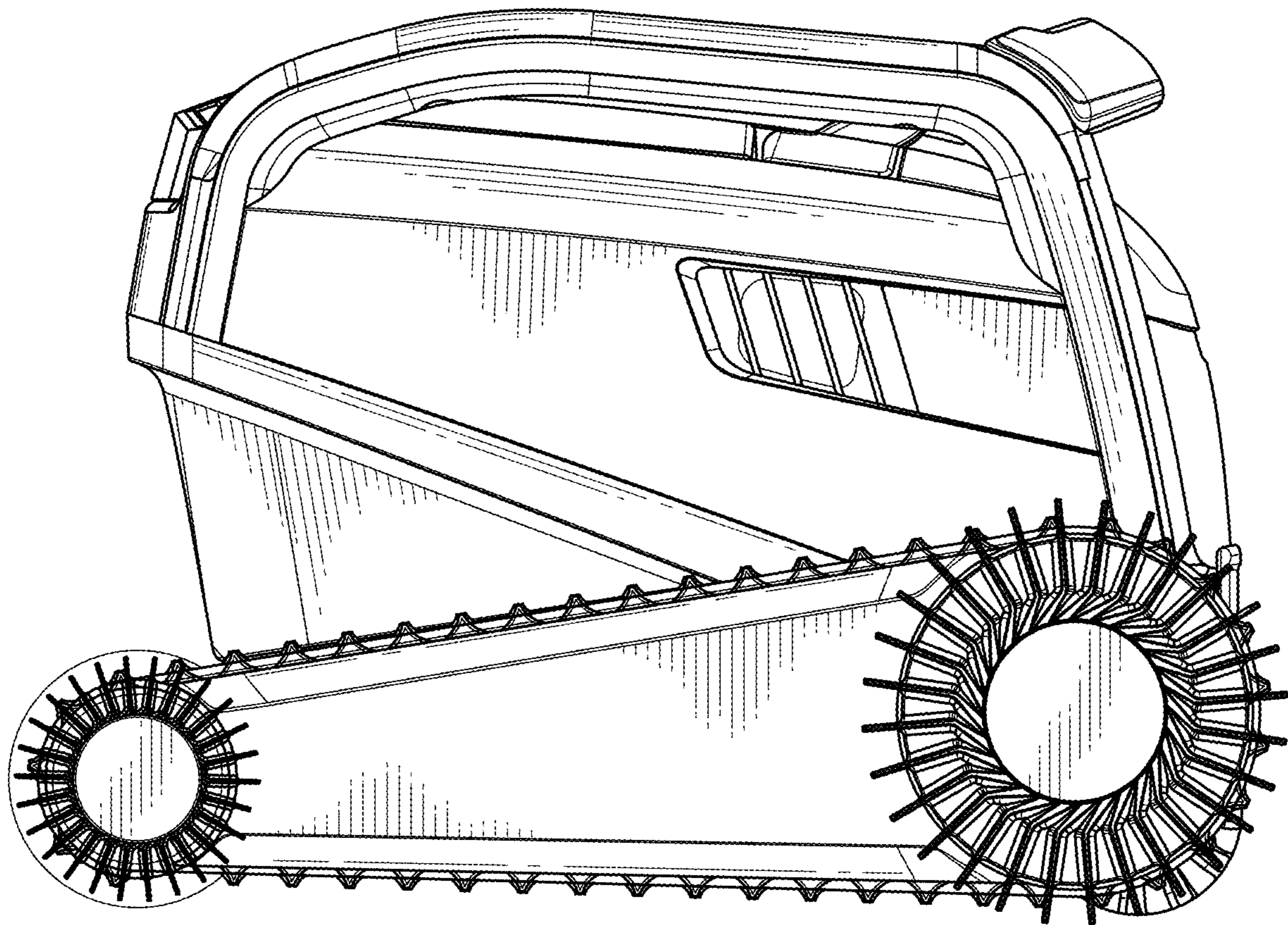


FIG. 5

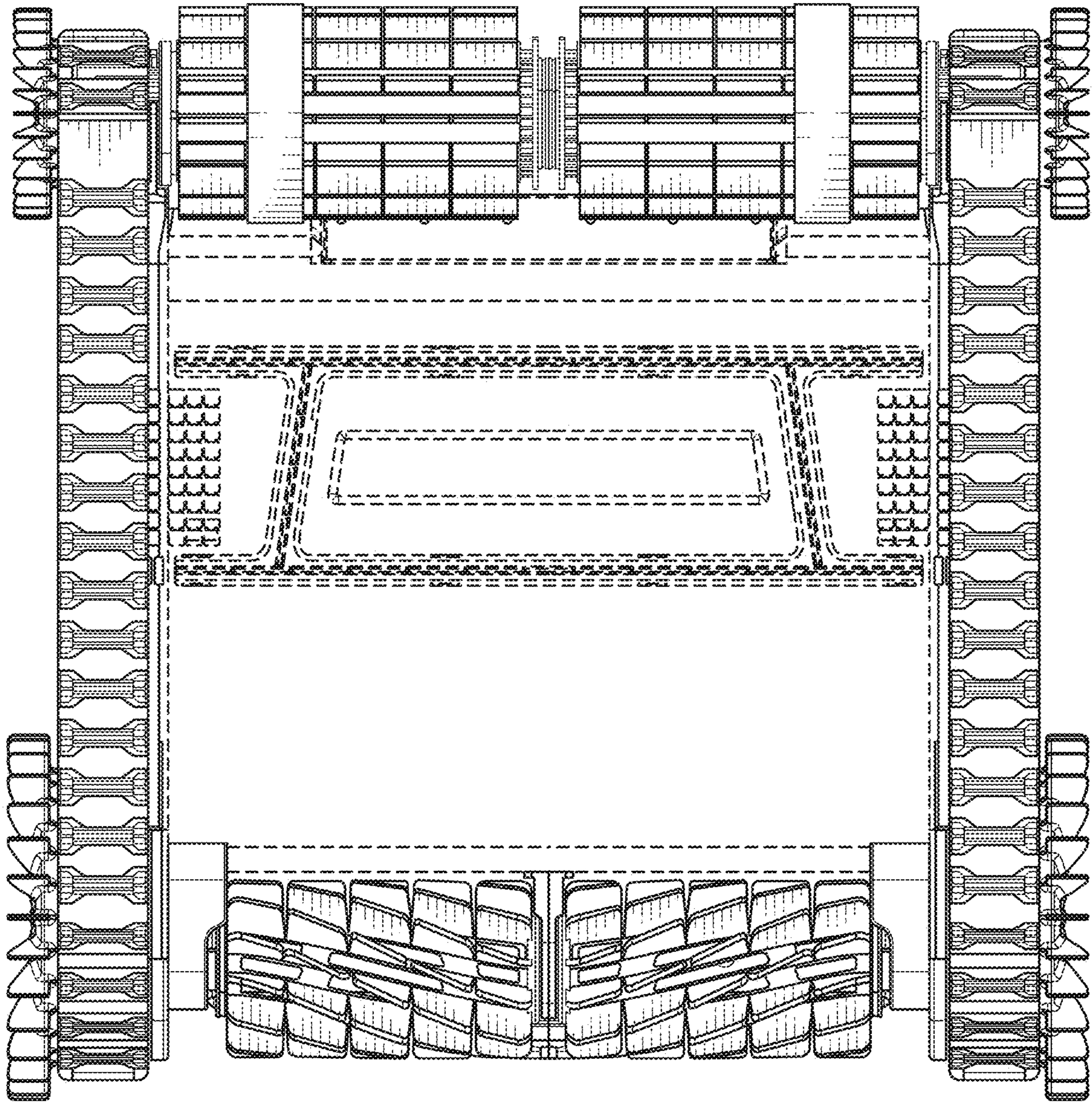


FIG. 6

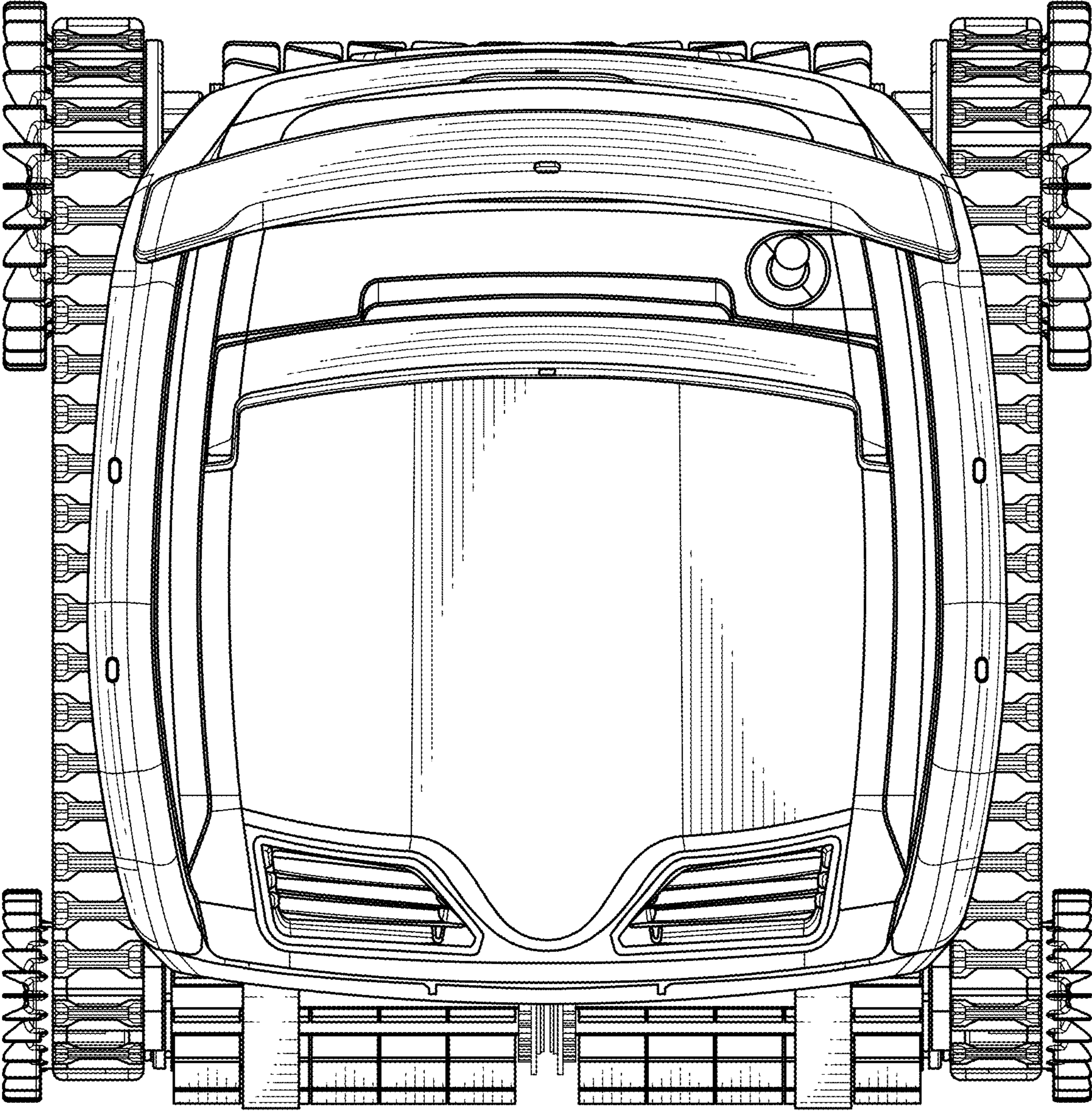


FIG. 7