



US00D950171S

(12) **United States Design Patent** (10) **Patent No.:** **US D950,171 S**  
**Kim et al.** (45) **Date of Patent:** **\*\* Apr. 26, 2022**

(54) **VACUUM CLEANER FOR VEHICLES**  
(71) Applicants: **KIA MOTORS CORPORATION**, Seoul (KR); **LG ELECTRONICS INC.**, Seoul (KR); **HYUNDAI MOTOR COMPANY**, Seoul (KR)  
(72) Inventors: **Dongeun Kim**, Seoul (KR); **Seungil Lee**, Seoul (KR); **Hophil Lee**, Seoul (KR)  
(73) Assignees: **LG ELECTRONICS INC.**, Seoul (KR); **HYUNDAI MOTOR COMPANY**, Seoul (KR); **KIA MOTORS CORPORATION**, Seoul (KR)

(\*\*) Term: **15 Years**  
(21) Appl. No.: **35/510,320**  
(22) Filed: **Aug. 18, 2020**

(80) **Hague Agreement Data**  
Int. Filing Date: **Aug. 18, 2020**  
Int. Reg. No.: **DM/210116**  
Int. Reg. Date: **Aug. 18, 2020**  
Int. Reg. Pub. Date: **Sep. 18, 2020**

(30) **Foreign Application Priority Data**  
Feb. 24, 2020 (KR) ..... 30-2020-0008143  
(51) **LOC (13) Cl.** ..... **15-05**  
(52) **U.S. Cl.**  
USPC ..... **D32/4**  
(58) **Field of Classification Search**  
USPC ... D32/4, 17, 18, 19, 21, 22, 23, 24, 31, 32, D32/34, 38, 39; D21/799.2; D12/223, D12/412, 403, 400; D8/303, 107, 376, D8/373, 380; D6/320; D15/199  
CPC ..... B60S 1/62; B60S 1/64; A47L 7/0076  
See application file for complete search history.

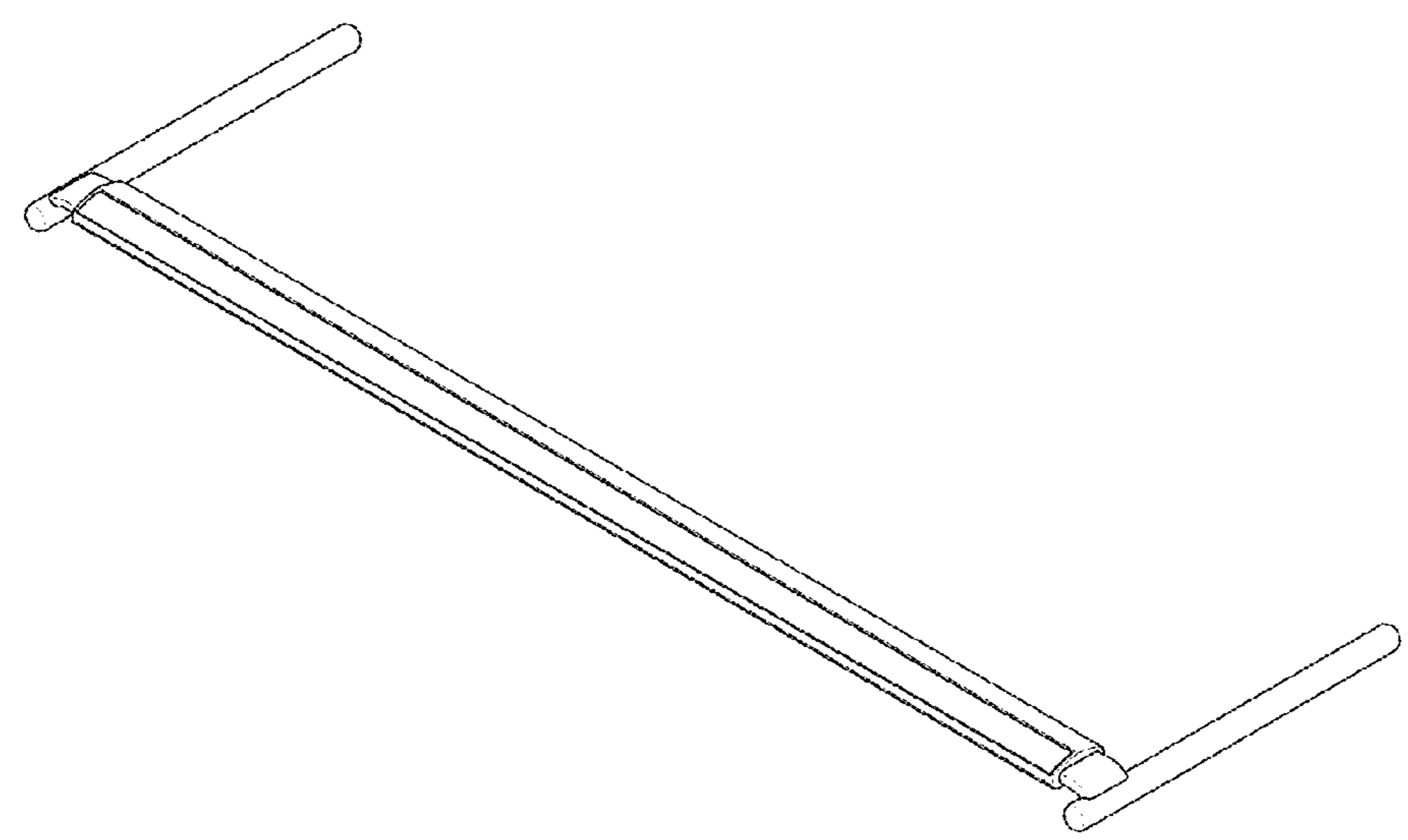
(56) **References Cited**  
U.S. PATENT DOCUMENTS  
D139,415 S \* 11/1944 Brown ..... D6/320  
D198,035 S \* 4/1964 Conner ..... D8/373  
D212,778 S \* 11/1968 Smith ..... D32/4  
D323,412 S \* 1/1992 Hoge ..... D34/5  
D809,083 S \* 1/2018 Fritschy ..... D21/799.2  
D823,965 S \* 7/2018 Huszar ..... D21/799.2  
D831,562 S \* 10/2018 Salsi ..... D12/412  
2006/0143854 A1 \* 7/2006 Nam ..... A47L 9/0427  
15/381  
2016/0332602 A1 \* 11/2016 Busser ..... B60P 1/04  
(Continued)

*Primary Examiner* — Michelle E. Wilson  
*Assistant Examiner* — Tracey J Bell  
(74) *Attorney, Agent, or Firm* — Birch, Stewart, Kolasch & Birch, LLP

(57) **CLAIM**  
The ornamental design for a vacuum cleaner for vehicles, as shown and described.

**DESCRIPTION**  
1. Vacuum cleaner for vehicles  
**1.1** : Perspective  
**1.2** : Front  
**1.3** : Back  
**1.4** : Left  
**1.5** : Right  
**1.6** : Top  
**1.7** : Bottom  
**1.8** : Perspective  
The vacuum cleaner for vehicles is for cleaning the floor inside of a vehicle; reproduction **1.8** shows the state of use in which the vacuum cleaner for vehicles is installed on the floor inside of a vehicle; the broken lines depict environmental subject matter and form no part of the claimed design. The portions of the vacuum cleaner for vehicles shown in the color grey form no part of the claimed design.

**1 Claim, 8 Drawing Sheets**



(56)

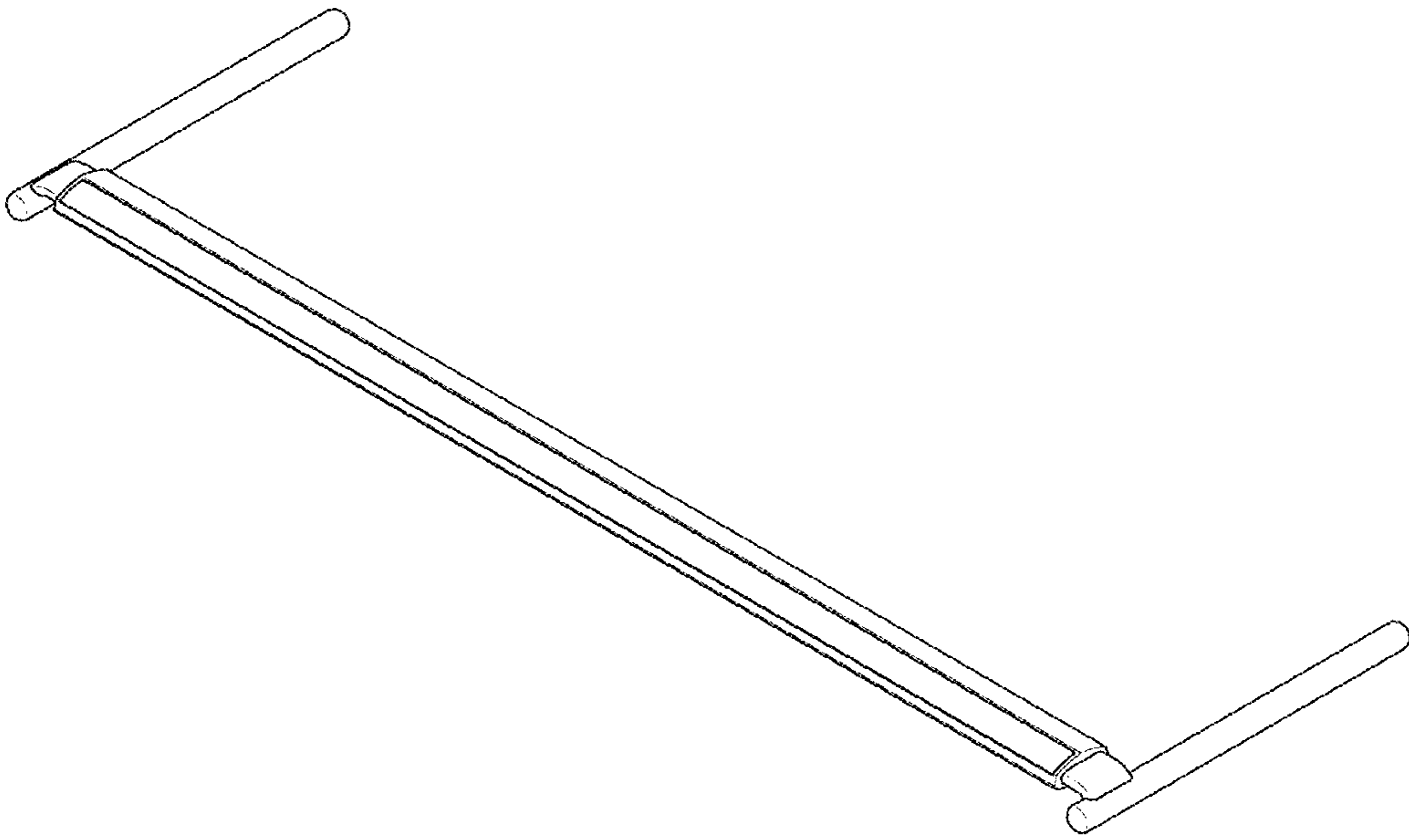
**References Cited**

U.S. PATENT DOCUMENTS

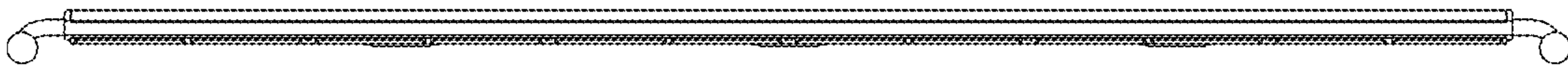
2017/0297537 A1\* 10/2017 Yako ..... B60N 2/90  
2019/0176769 A1\* 6/2019 Strasdat ..... B08B 1/006

\* cited by examiner

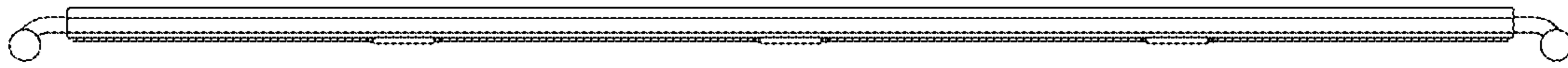
1.1



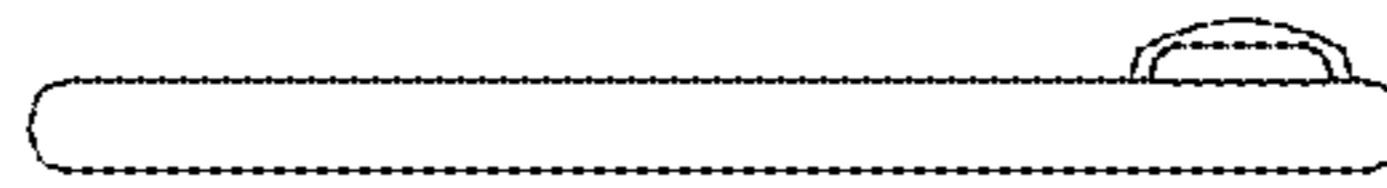
1.2



1.3



1.4



1.5

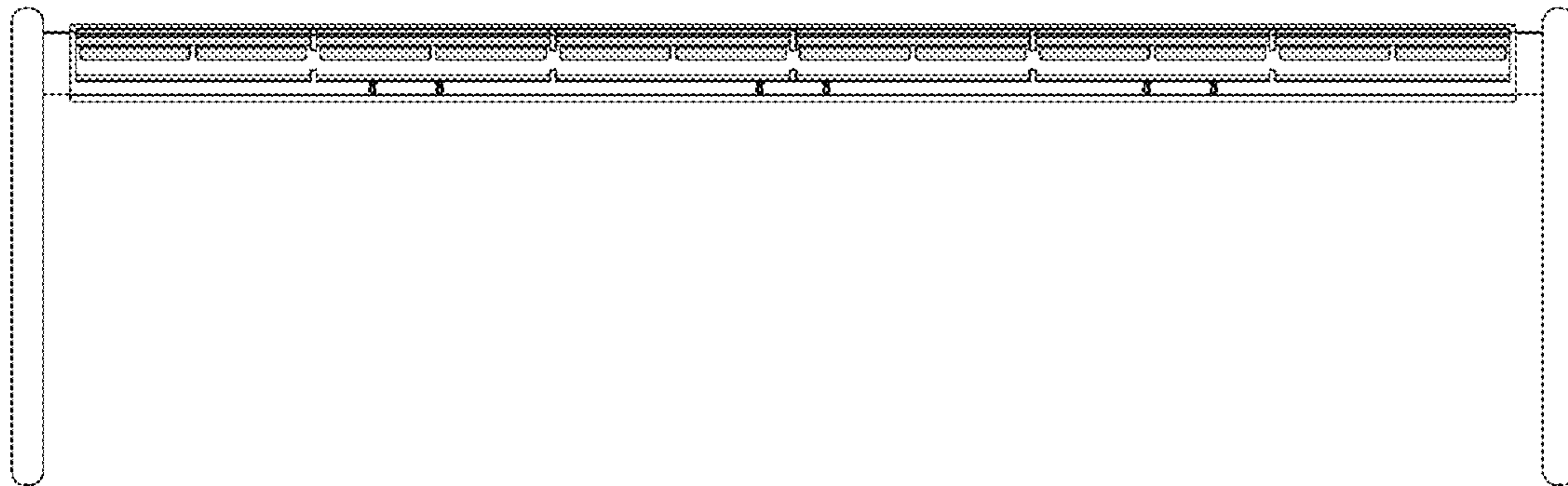


1.6





1.7



1.8

