



US00D950170S

(12) **United States Design Patent** (10) **Patent No.:** **US D950,170 S**  
**Li** (45) **Date of Patent:** **\*\* Apr. 26, 2022**

(54) **RECEIVER OF A DOG TRAINING COLLAR**

(71) Applicant: **Shenzhen Patpet Technology CO., LTD**, Shenzhen (CN)

(72) Inventor: **Linxian Li**, Beijing (CN)

(\*\*) Term: **15 Years**

(21) Appl. No.: **29/739,710**

(22) Filed: **Jun. 29, 2020**

(51) **LOC (13) Cl.** ..... **30-99**

(52) **U.S. Cl.**  
USPC ..... **D30/199; D10/104.1**

(58) **Field of Classification Search**  
USPC ..... D30/144, 151, 152, 153, 155, 156, 199;  
D10/104.1, 104.2, 105, 116.1; D14/137,  
D14/188; 119/712, 714, 716, 717, 718,  
119/719, 720, 722  
CPC ..... A01K 15/02; A01K 15/022  
See application file for complete search history.

(56) **References Cited**

**U.S. PATENT DOCUMENTS**

D410,206 S *	5/1999	Slater .....	D10/104.1
D445,352 S *	7/2001	So .....	D30/199
D520,894 S *	5/2006	Zakharyan .....	D30/199
D522,187 S *	5/2006	Nottingham .....	D30/152
D555,298 S *	11/2007	Garon .....	D30/152
D637,365 S *	5/2011	Li .....	D30/155
D673,334 S *	12/2012	Guo .....	D30/152
D742,817 S *	11/2015	Lammers-Meis .....	D13/103
D853,666 S *	7/2019	Ni .....	D30/199
D858,904 S *	9/2019	Zinn .....	D30/152
D880,082 S *	3/2020	Zinn .....	D30/152
D884,994 S *	5/2020	Ni .....	D30/199
D888,353 S *	6/2020	Lan .....	D30/199
D895,908 S *	9/2020	Yan .....	D30/152
D898,613 S *	10/2020	Stapleton .....	D11/216
D899,012 S *	10/2020	Zinn .....	D30/152

D919,201 S *	5/2021	Wang .....	D30/199
D925,141 S *	7/2021	Lai .....	D30/199
D926,396 S *	7/2021	Jia .....	D30/199
D929,051 S *	8/2021	Li .....	D30/199
2005/0145196 A1 *	7/2005	Crist .....	A01K 15/022 119/718
2014/0261233 A1 *	9/2014	So .....	A01K 27/009 119/720
2015/0040839 A1 *	2/2015	Goetzl .....	A01K 27/009 119/720

**OTHER PUBLICATIONS**

“STOPWOOFER Dog Bark Collar” available Apr. 20, 2020, [online], [site visited Nov. 16, 2021]. Retrieved from Internet, URL: amazon.com/STOPWOOFER-Shock-Bark-Collar-Dogs/dp/B08CR6P83Q/ref=sr\_1\_54 (Year: 2020).\*

(Continued)

*Primary Examiner* — Michael C Stout  
*Assistant Examiner* — Katrina N Gonzalez

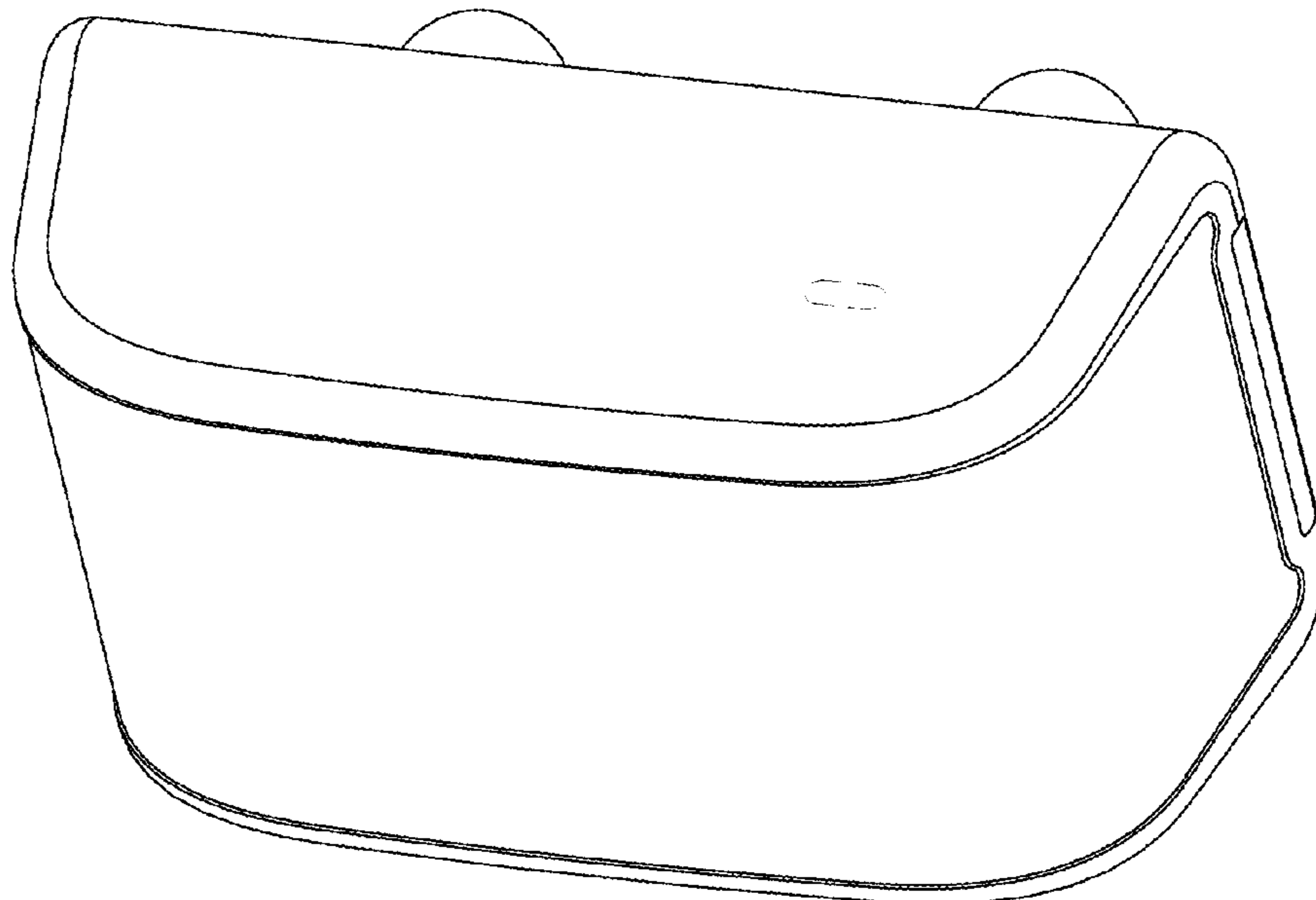
(57) **CLAIM**

The ornamental design for a receiver of a dog training collar, as shown and described.

**DESCRIPTION**

FIG. 1 is a top right perspective of a receiver of a dog training collar showing my new design; FIG. 2 is a front elevational view thereof; FIG. 3 is a rear elevational view thereof; FIG. 4 is a top plan view thereof; FIG. 5 is a bottom plan view thereof; FIG. 6 is a right side elevational view thereof; and, FIG. 7 is a left side elevational view thereof. The broken lines in the drawings depict portions of the receiver of the dog training collar that form no part of the claimed design.

**1 Claim, 7 Drawing Sheets**



(56)

**References Cited**

OTHER PUBLICATIONS

“Dr.Trainer B1 B1pro Dogs Bark Collar” available Aug. 19, 2020, [online], [site visited Nov. 16, 2021]. Retrieved from Internet, URL:[https://www.amazon.com/Dr-Trainer-B1 Pro-Rechargeable-Progressive-Waterproof/dp/B08GC1KRFC/ref=sr\\_1\\_62](https://www.amazon.com/Dr-Trainer-B1-Pro-Rechargeable-Progressive-Waterproof/dp/B08GC1KRFC/ref=sr_1_62) (Year: 2020).\*

\* cited by examiner

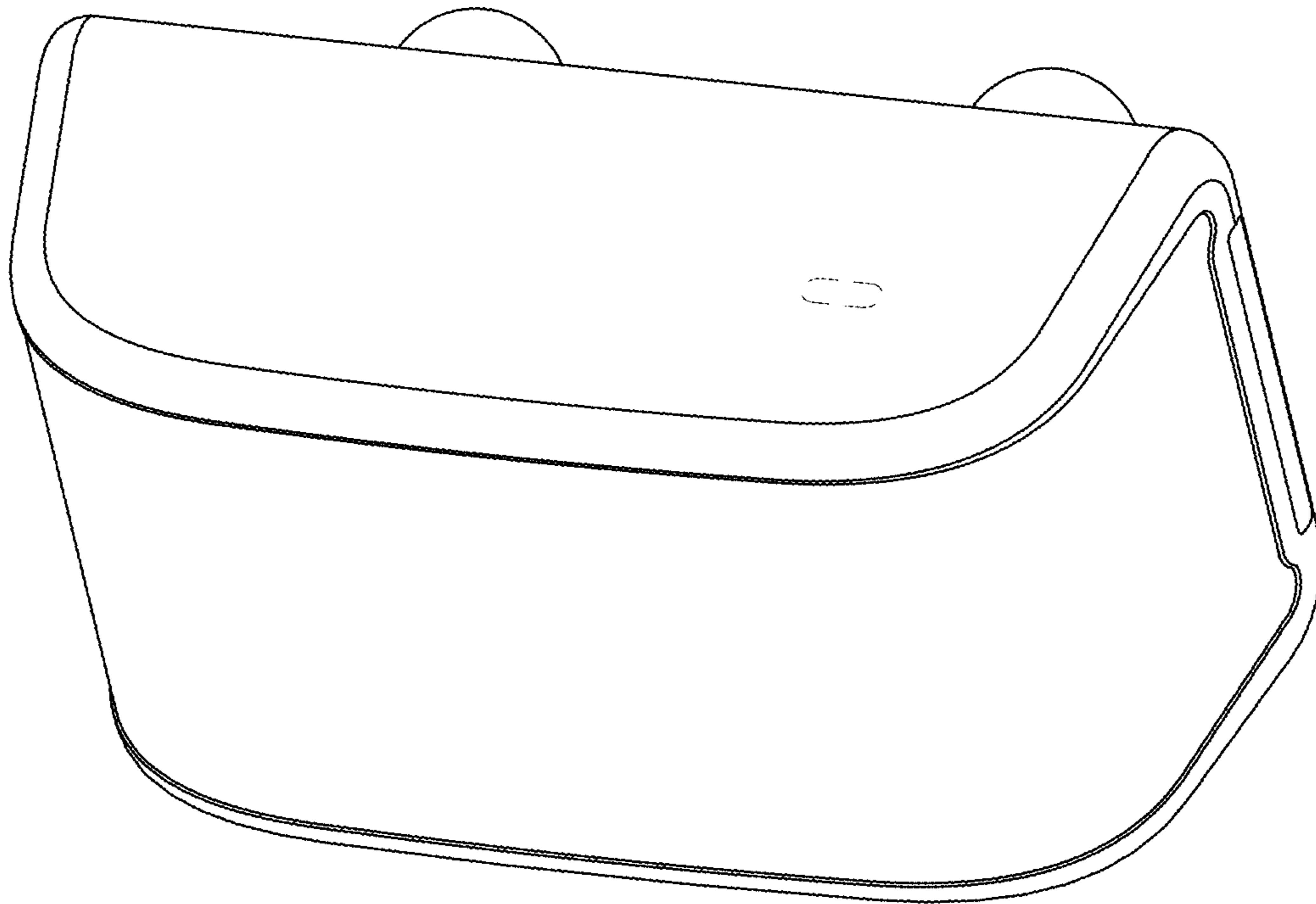


FIG. 1

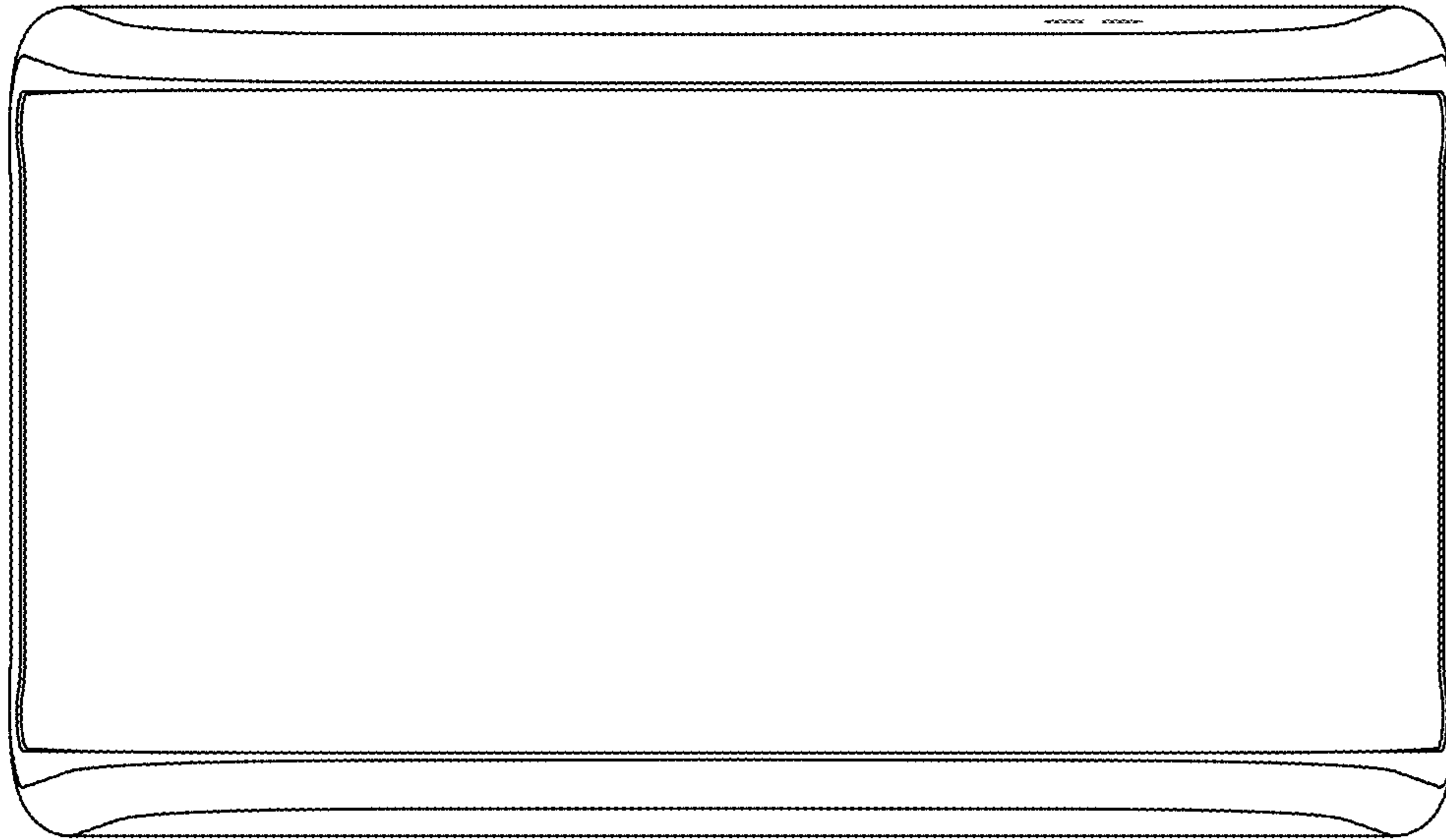


FIG. 2

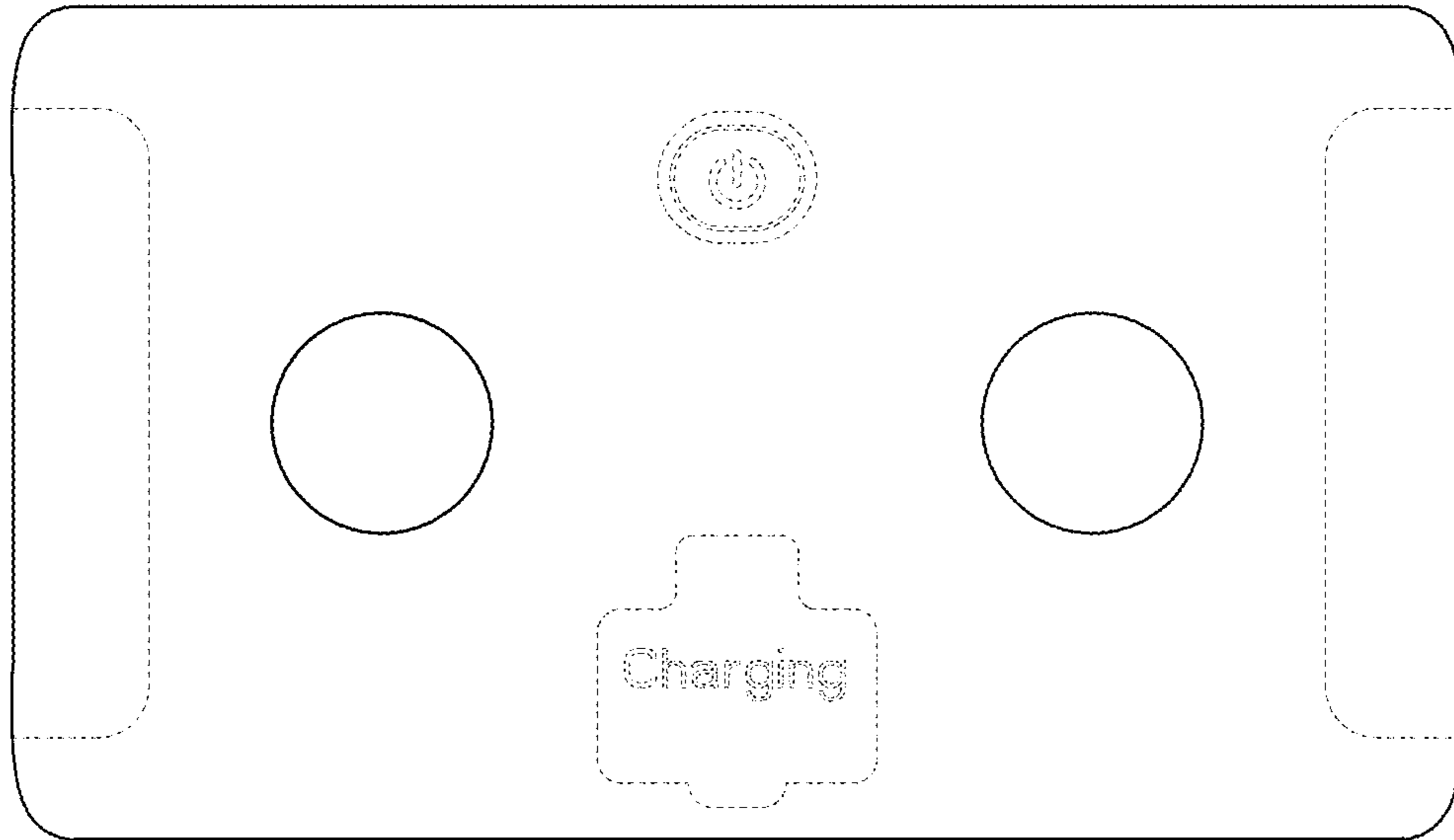


FIG. 3

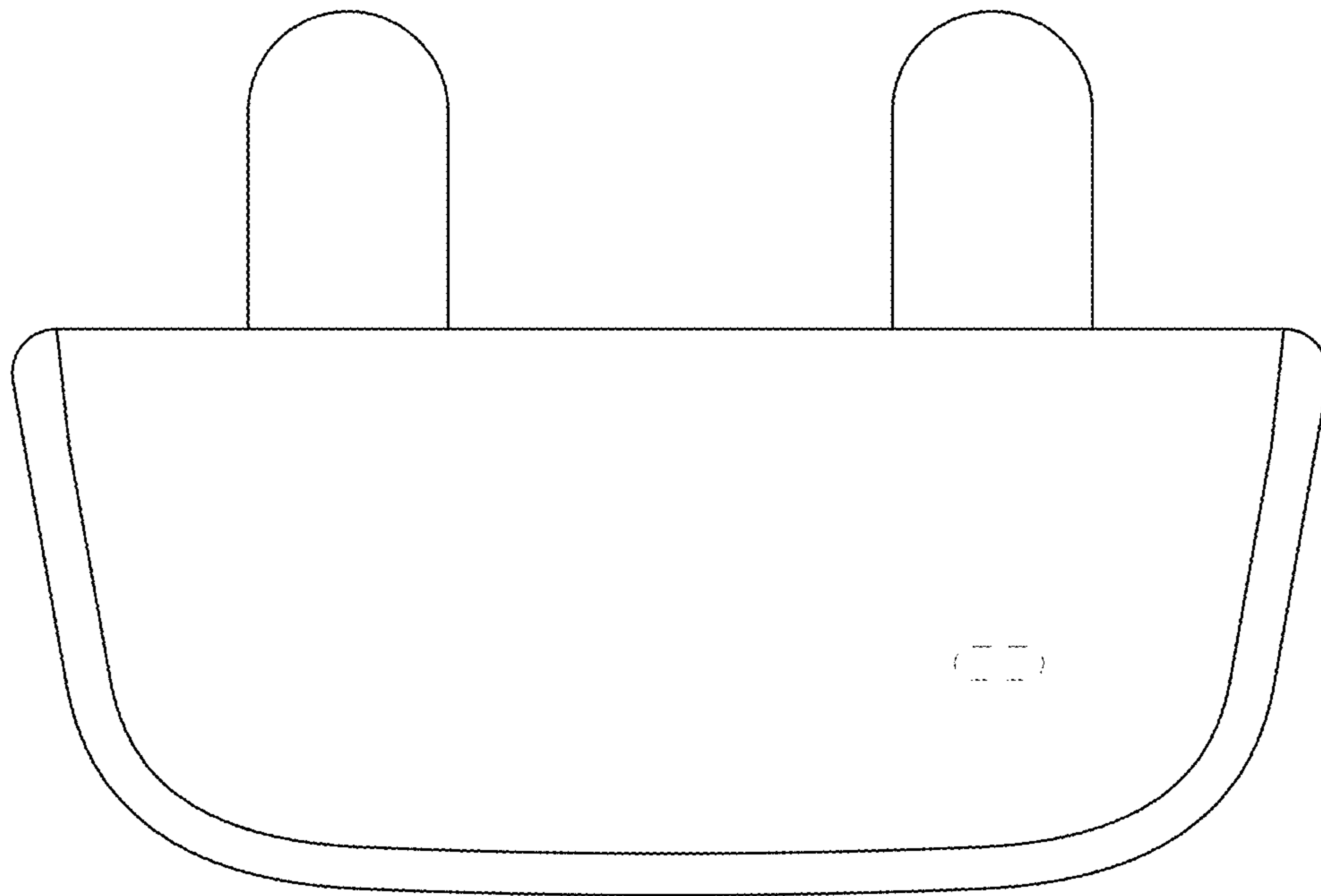


FIG. 4

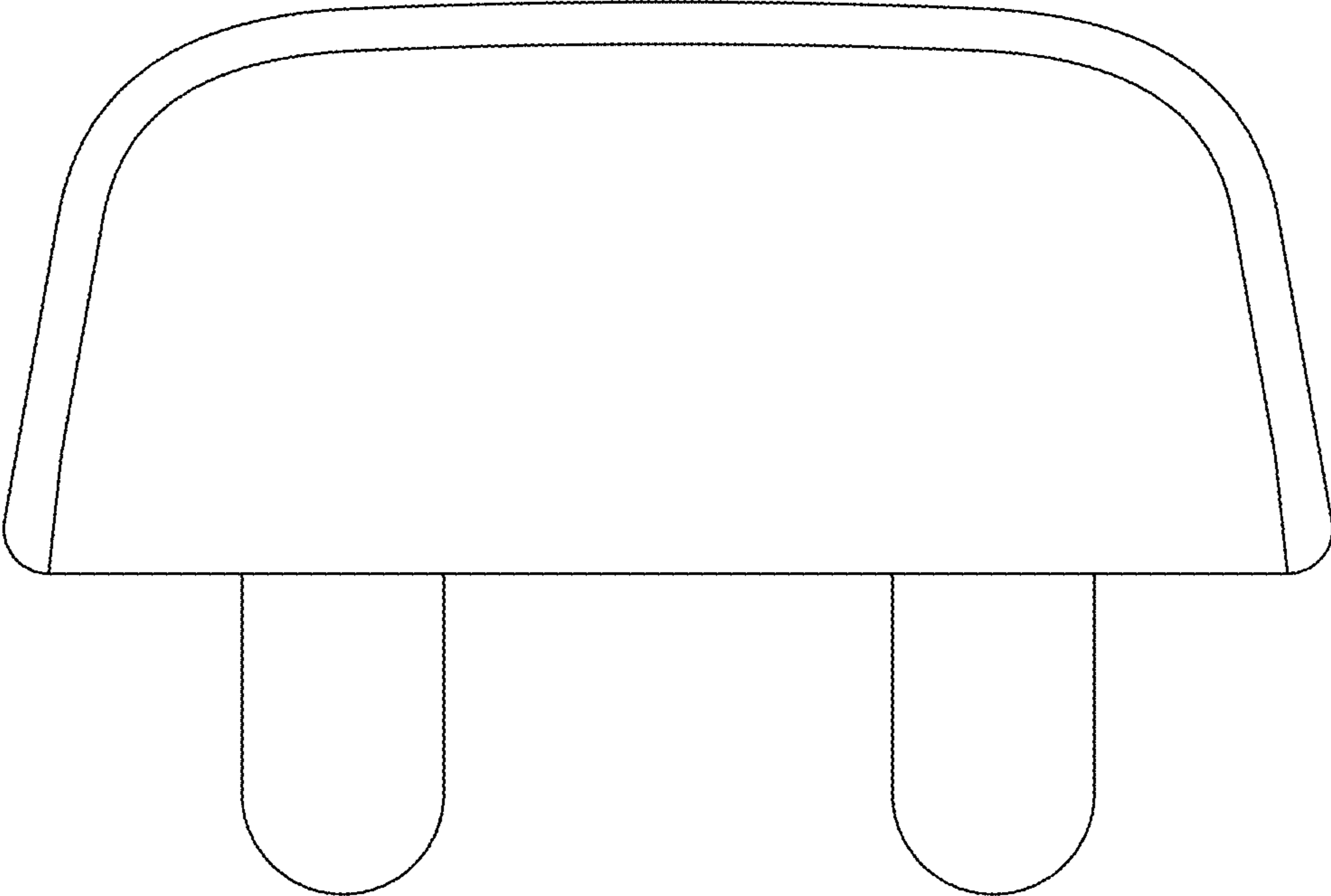


FIG. 5

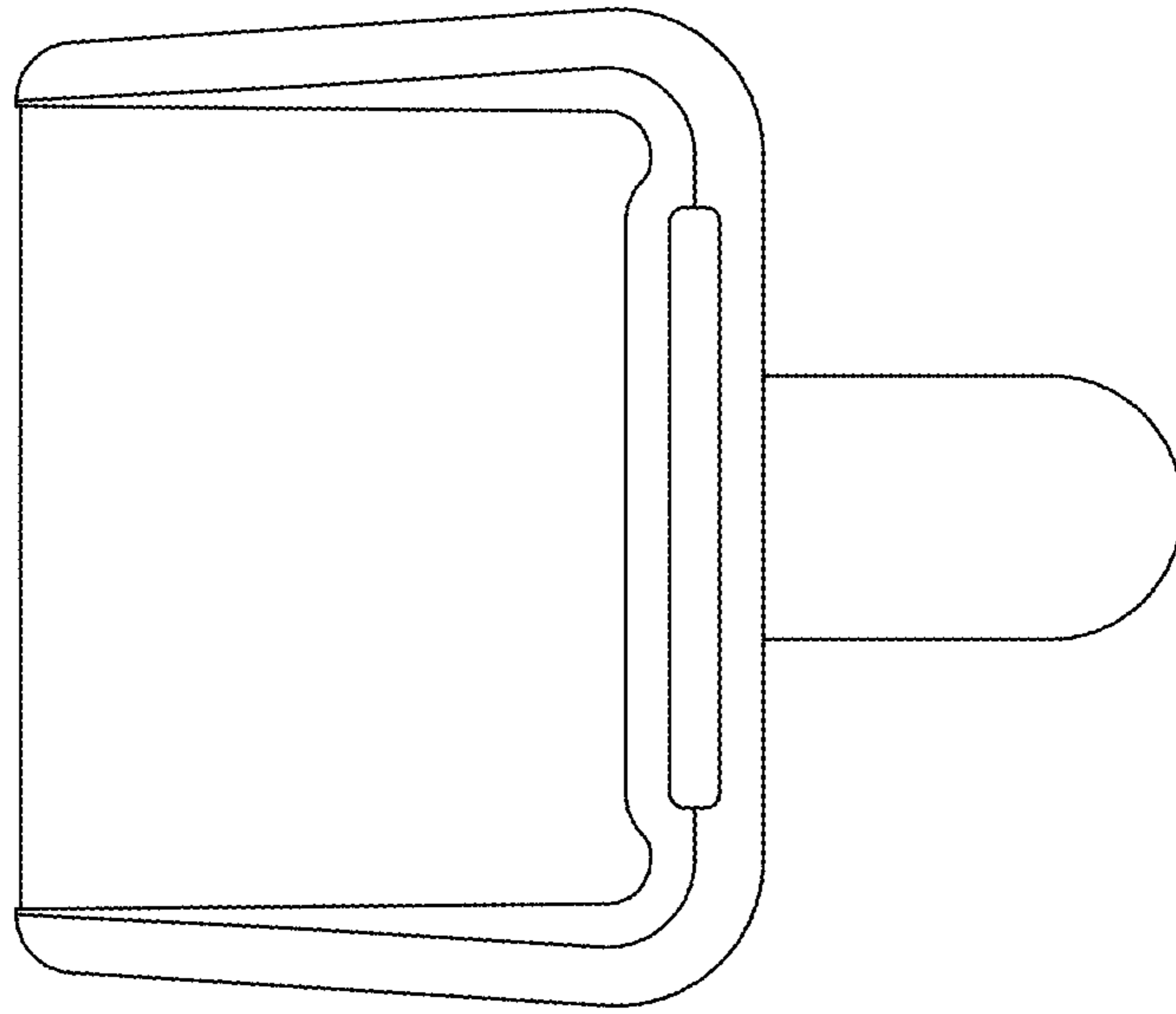


FIG. 6



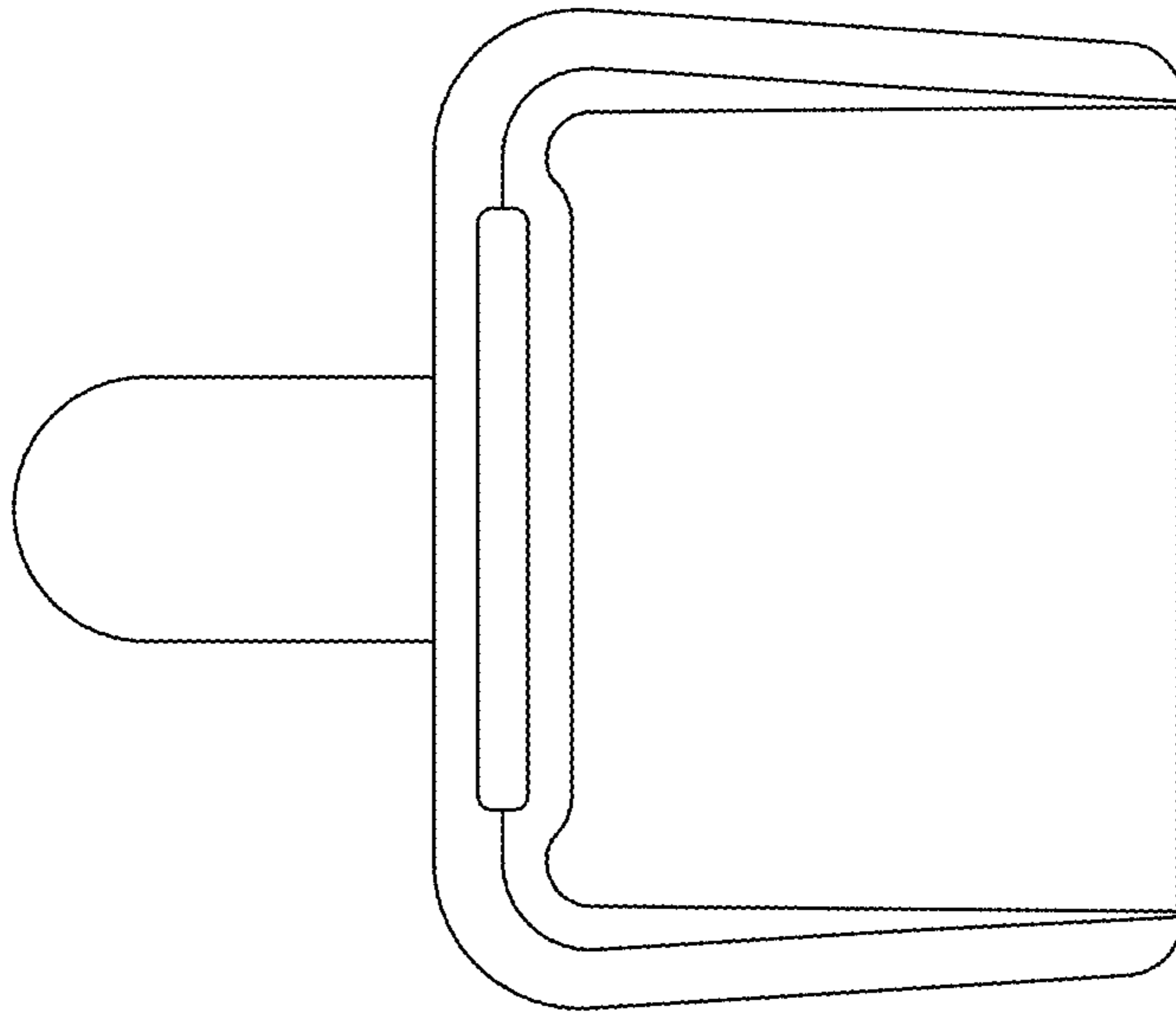


FIG. 7