



US00D950168S

(12) **United States Design Patent**
Wu

(10) **Patent No.:** **US D950,168 S**
(45) **Date of Patent:** **** Apr. 26, 2022**

(54) **PET WATER BOTTLE**

(71) Applicant: **Changli Wu**, Linyi (CN)

(72) Inventor: **Changli Wu**, Linyi (CN)

(73) Assignee: **Shandong Weishuo Yuanda Technology Innovation Co., Ltd.**, Linyi (CN)

(**) Term: **15 Years**

(21) Appl. No.: **29/747,685**

(22) Filed: **Aug. 25, 2020**

(51) **LOC (13) Cl.** **30-03**

(52) **U.S. Cl.**

USPC **D30/132**; D30/121; D30/129

(58) **Field of Classification Search**

USPC D30/121-133; 119/51.01, 61, 51.04, 53, 119/57.91, 54, 53.5, 52.4, 51.11, 63, 61.2, 119/52.1, 57.5, 57.6, 51.13, 62, 75, 500, 119/501, 72, 72.5, 74, 78-81; 239/7, 239/687, 379, 397.5; 222/199, 181.1, 222/181.2, 185.1, 557, 156, 485, 486, 222/548, 555, 207, 205, 424, 438, 48, 222/206, 212, 215, 460, 461, 525, 86, 89; 220/200, 227, 247, 262, 694, 700, 701, 220/703, 660-662, 521, 705, 709, 287, 220/523, 574; 221/174, 185.1, 289, 295, 221/296, 559; 454/35; 209/270, 283, 209/244; 52/194, 192; 49/279, 344, 357; D34/28; D9/417, 414, 424, 428, 436, D9/440, 442, 447, 456, 454, 455, 730, D9/731, 733, 715, 531, 549, 516, 523, D9/530, 538, 541, 544, 559, 719, 716; D7/589, 300, 300.1, 302-305, 312, 316, D7/317, 507-512, 523, 524, 528, 700, D7/681; D3/132, 201, 203.2, 202, 228, D3/229, 269, 274, 316, 321, 328; D15/143, 199; D28/4, 7, 9; D19/66; 141/343, 331, 340, 384, 330, 332, 383, 141/311 R, 313, 338, 344, 345; 210/455;

215/228, 231, 235, 319-383, 386, DIG. 7, 215/388, 6, 316; 4/258, 259, 267; 206/459.1, 459.5, 501

CPC . A01K 7/00; A01K 7/005; A01K 7/02; A01K 7/022; A01K 7/06; A01K 39/0213; A01K 39/02; B65D 41/26; B65D 41/265; B65D 41/28; B65D 41/32; B65D 41/325; B65D 41/34; B65D 41/56; B65D 51/20; B65D 51/249; B65D 51/24; B65D 51/28; B65D 47/243; B65D 2205/04; B65D 21/0238; B65D 81/3205; B65D 81/3216; B65D 71/50; B65D 77/2024; B65D 43/0212; B65D 2517/0049; B65D

(Continued)

(56) **References Cited**

U.S. PATENT DOCUMENTS

5,377,879 A * 1/1995 Isaacs A61J 7/0023
222/192
5,441,017 A * 8/1995 Lindsay A01K 27/003
119/161

(Continued)

Primary Examiner — Susan Moon Lee

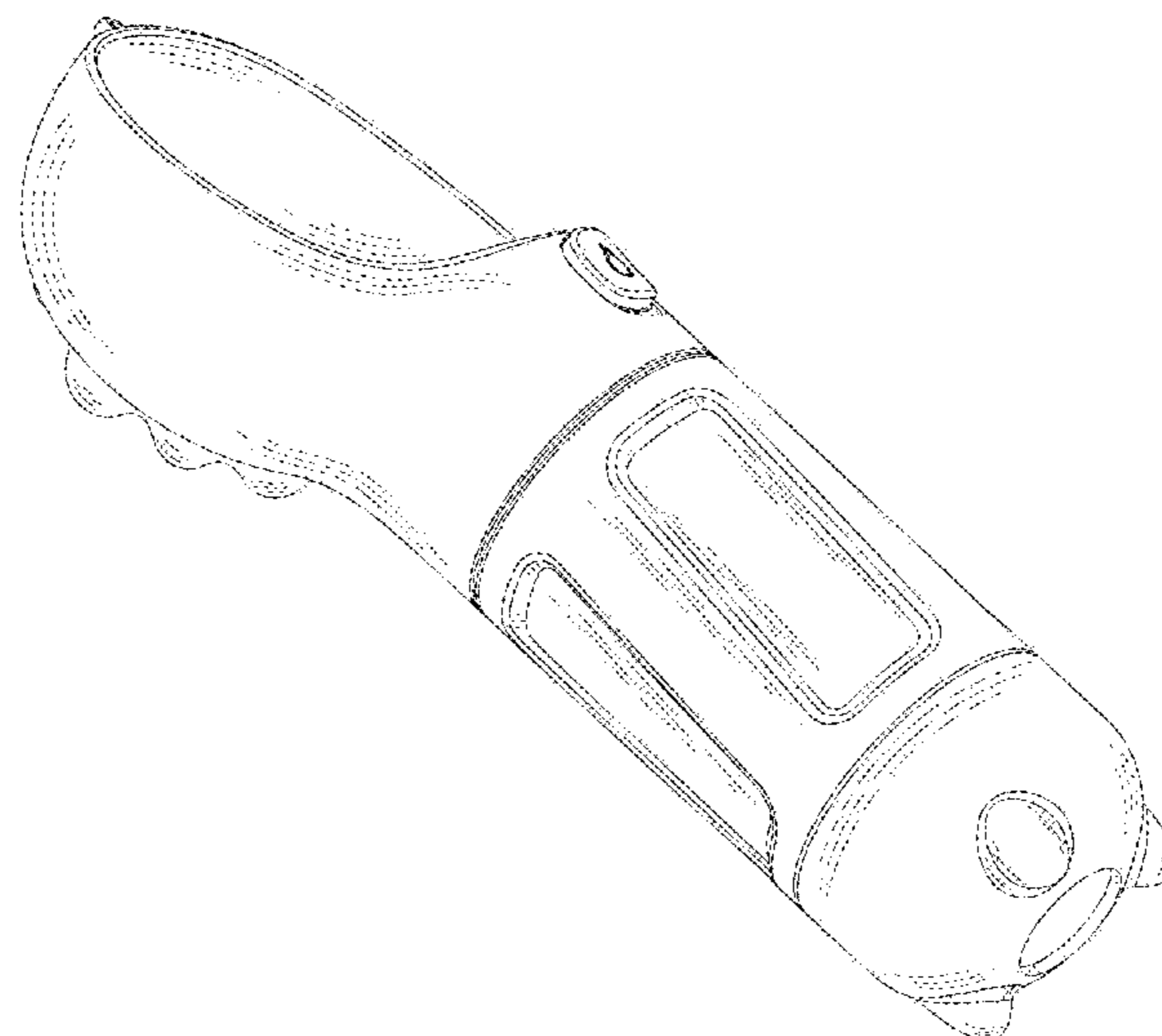
(57) **CLAIM**

The ornamental design for a pet water bottle, as shown and described.

DESCRIPTION

FIG. 1 is a front and left perspective view of a pet water bottle showing my new design;
FIG. 2 is a rear perspective view thereof;
FIG. 3 is a front elevation view thereof;
FIG. 4 is a rear elevation view thereof;
FIG. 5 is a left side elevation view thereof;
FIG. 6 is a right side elevation view thereof;
FIG. 7 is a top plan view thereof; and,
FIG. 8 is a bottom plan view thereof.

1 Claim, 8 Drawing Sheets



(58) **Field of Classification Search**

CPC 2543/00046; B65D 2543/00092; B65D
2543/00537; B65D 2543/00731; B65D
2543/00796; B65D 2577/205; A61J 9/00;
A61J 9/006; A61J 9/001; A61J 9/003;
A61J 11/04; A61J 19/00; B65B 39/00;
B65B 39/001; B65B 39/005; B65B
39/007; B67C 11/02; G01F 11/286; B67B
7/28; A47G 19/2266

See application file for complete search history.

(56) **References Cited**

U.S. PATENT DOCUMENTS

D400,316 S *	10/1998	Kolterman	D30/132	8,020,303 B1 *	9/2011	Marsh	A47G 21/004
6,279,233 B1 *	8/2001	Cameron	A61J 7/0023					30/324
				30/125	D670,134 S *	11/2012	Di Lollo	D7/507
6,295,735 B1 *	10/2001	Barger	A61J 7/0023	D684,432 S *	6/2013	Stein	D7/607
				206/438	D689,332 S *	9/2013	Krasner	D7/510
D488,226 S *	4/2004	MacDonald	D24/122	D728,169 S *	4/2015	Yacov	D30/121
7,047,648 B1 *	5/2006	LeBel	A47G 21/181	D729,583 S *	5/2015	Lapsker	D7/510
				30/141	9,351,475 B2 *	5/2016	Yacov	A01K 7/00
D545,640 S *	7/2007	Risden	D7/653	9,789,028 B2 *	10/2017	Leffler	A61J 7/0023
D562,503 S *	2/2008	Zutis	D30/121	D806,568 S *	1/2018	Chen	D9/719
D565,193 S *	3/2008	Price	D24/224	10,251,468 B1 *	4/2019	Moore	B65D 41/58
D580,715 S *	11/2008	Finell	D7/643	D854,378 S *	7/2019	Breit	D7/507
D594,353 S *	6/2009	Kortleven	D10/46.3	D861,258 S *	9/2019	Liang	D30/132
7,562,796 B2 *	7/2009	Zahn	A61J 1/067	D871,839 S *	1/2020	Sun	D7/507
				215/11.4	D892,412 S *	8/2020	Guo	D30/121
					D917,108 S *	4/2021	Xie	D30/132
					D936,296 S *	4/2021	Jin	D30/132
					2004/0006874 A1 *	1/2004	Kamm	B65D 51/246
									30/141
					2008/0072433 A1 *	3/2008	Ohring	B65D 83/06
									30/125
					2008/0087224 A1 *	4/2008	Wechsler	A01K 7/00
									119/52.1
					2014/0360434 A1 *	12/2014	Yacov	A01K 5/0114
									119/51.5
					2015/0298867 A1 *	10/2015	Sanderson	A47G 19/2266
									215/6
					2019/0216052 A1 *	7/2019	Yang	A01K 7/00
					2021/0068367 A1 *	3/2021	Gong	A01K 7/00

* cited by examiner

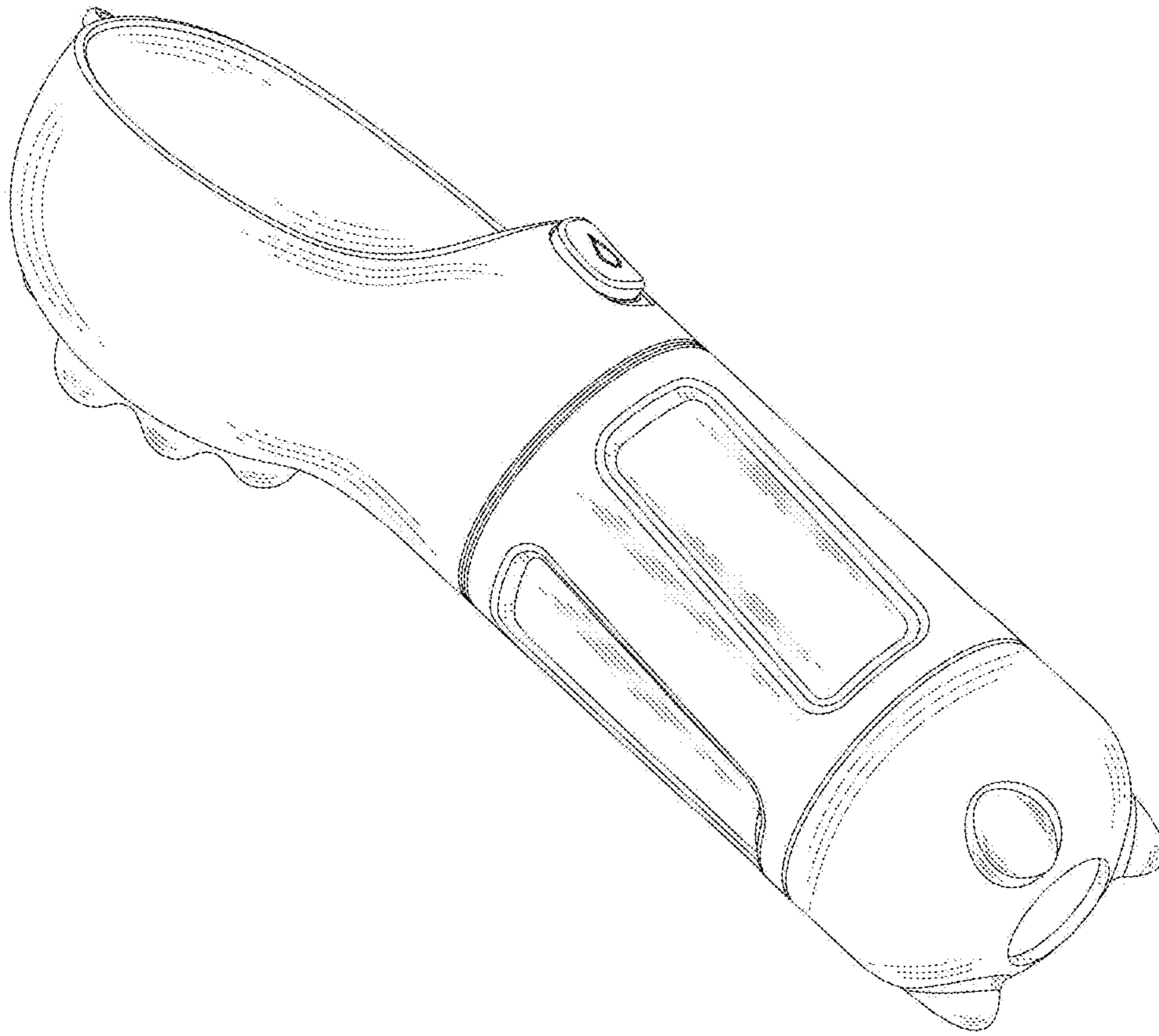


FIG.1

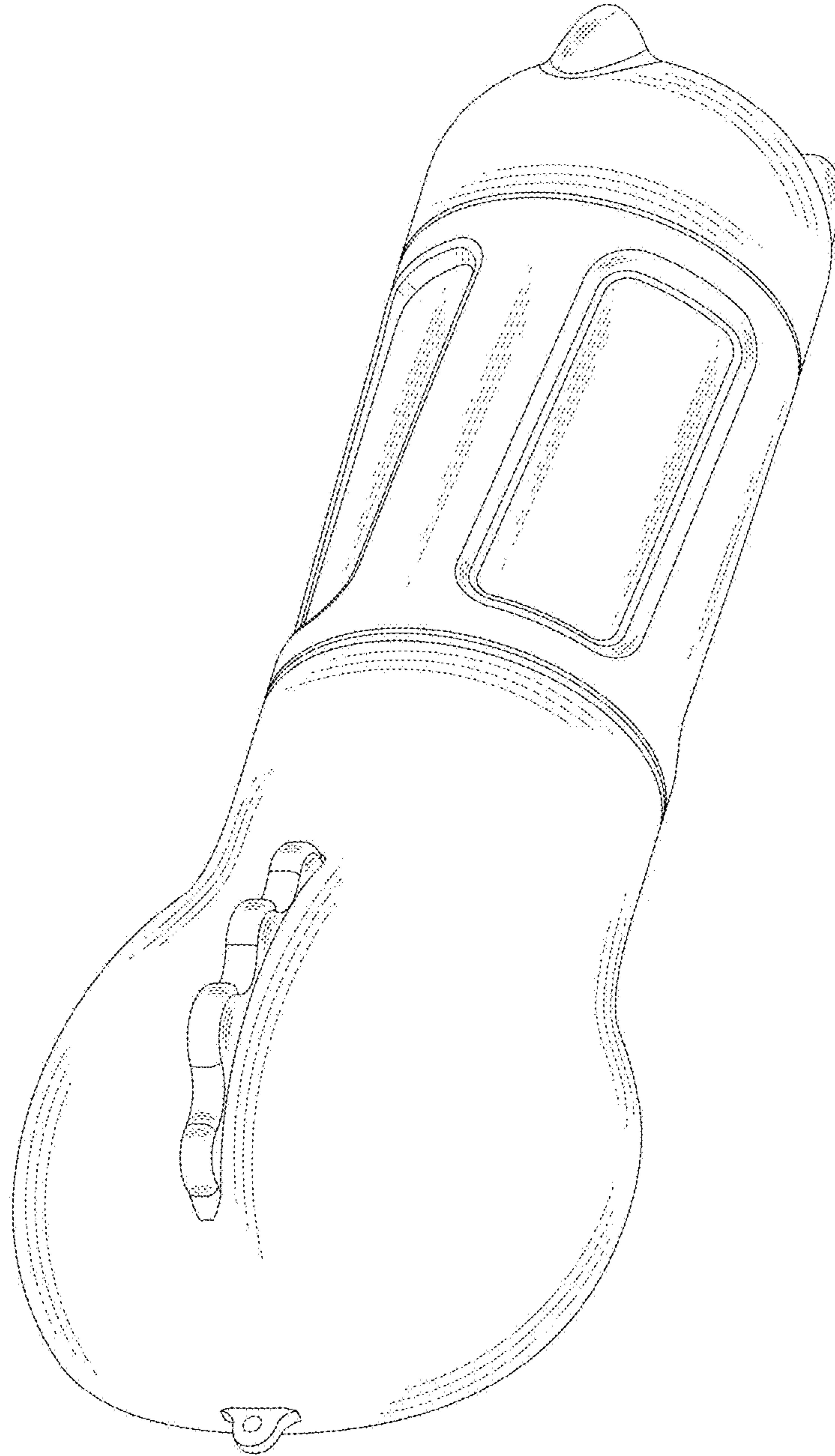


FIG.2

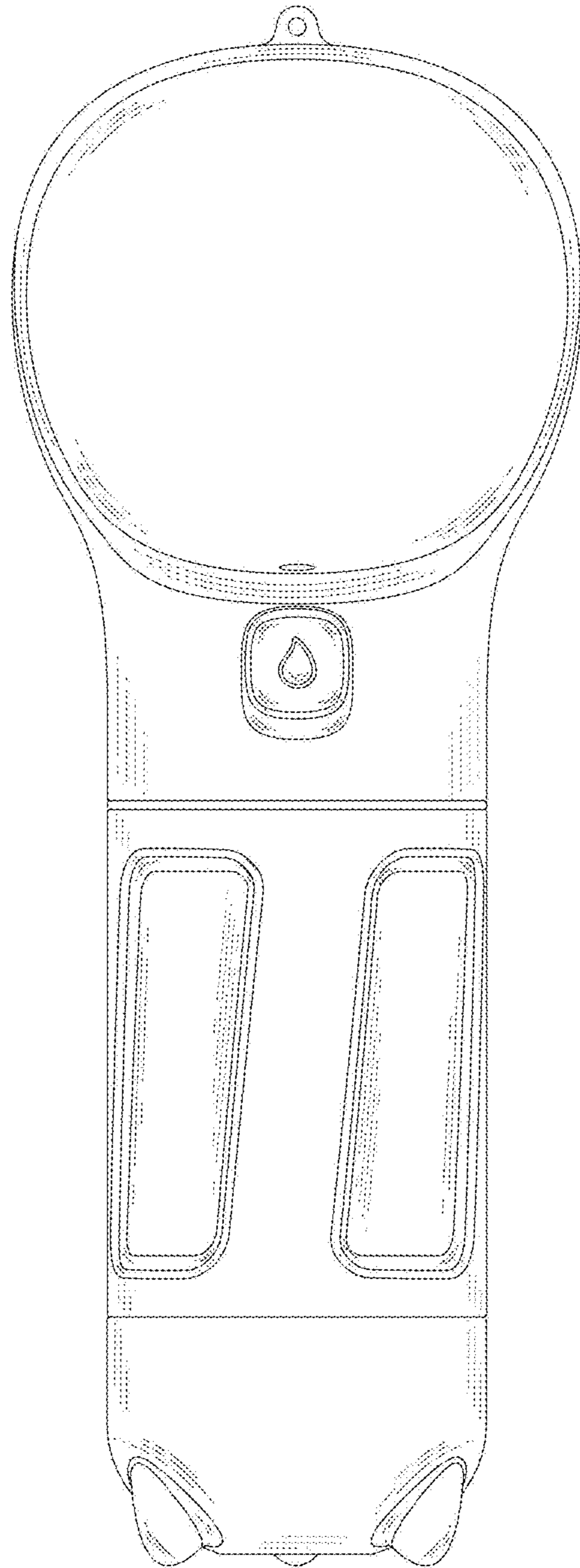


FIG.3

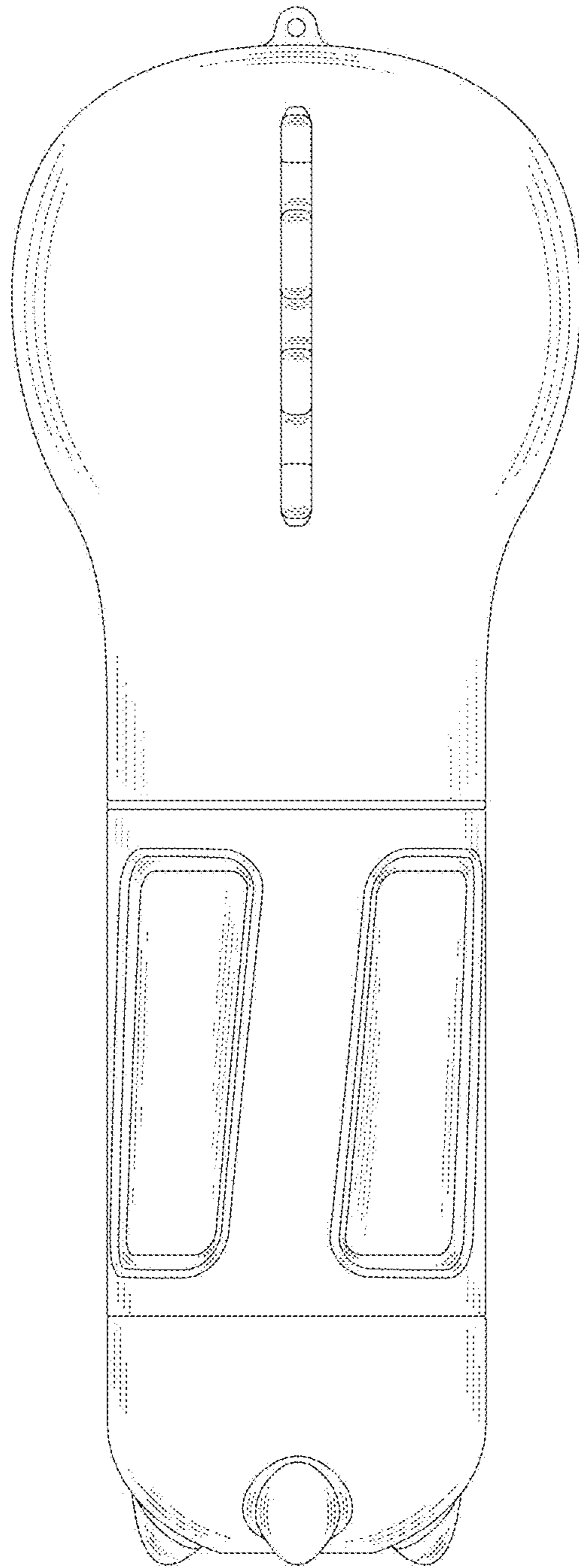


FIG.4

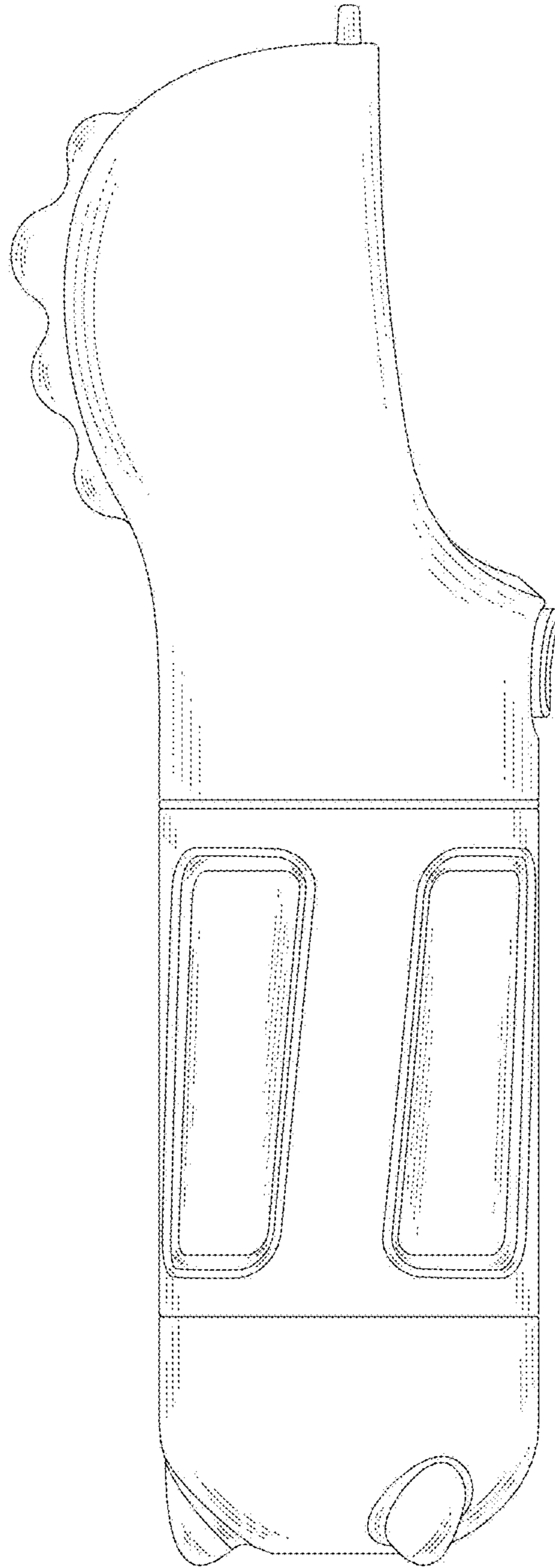


FIG.5

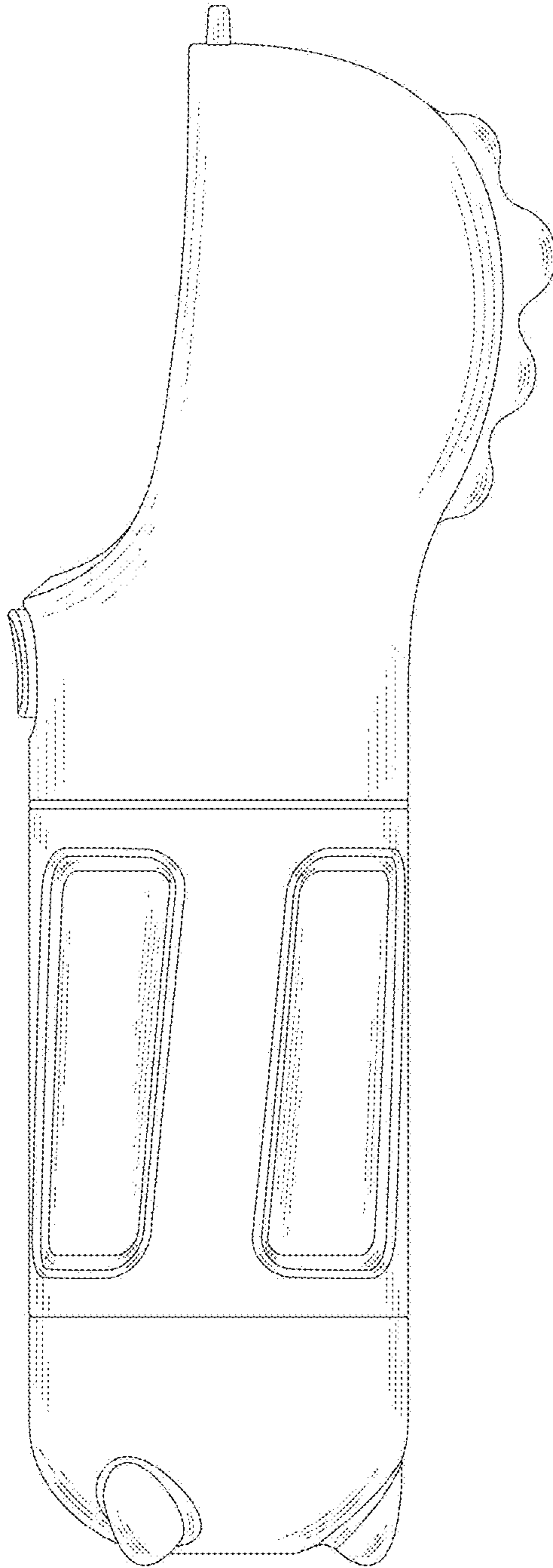


FIG.6

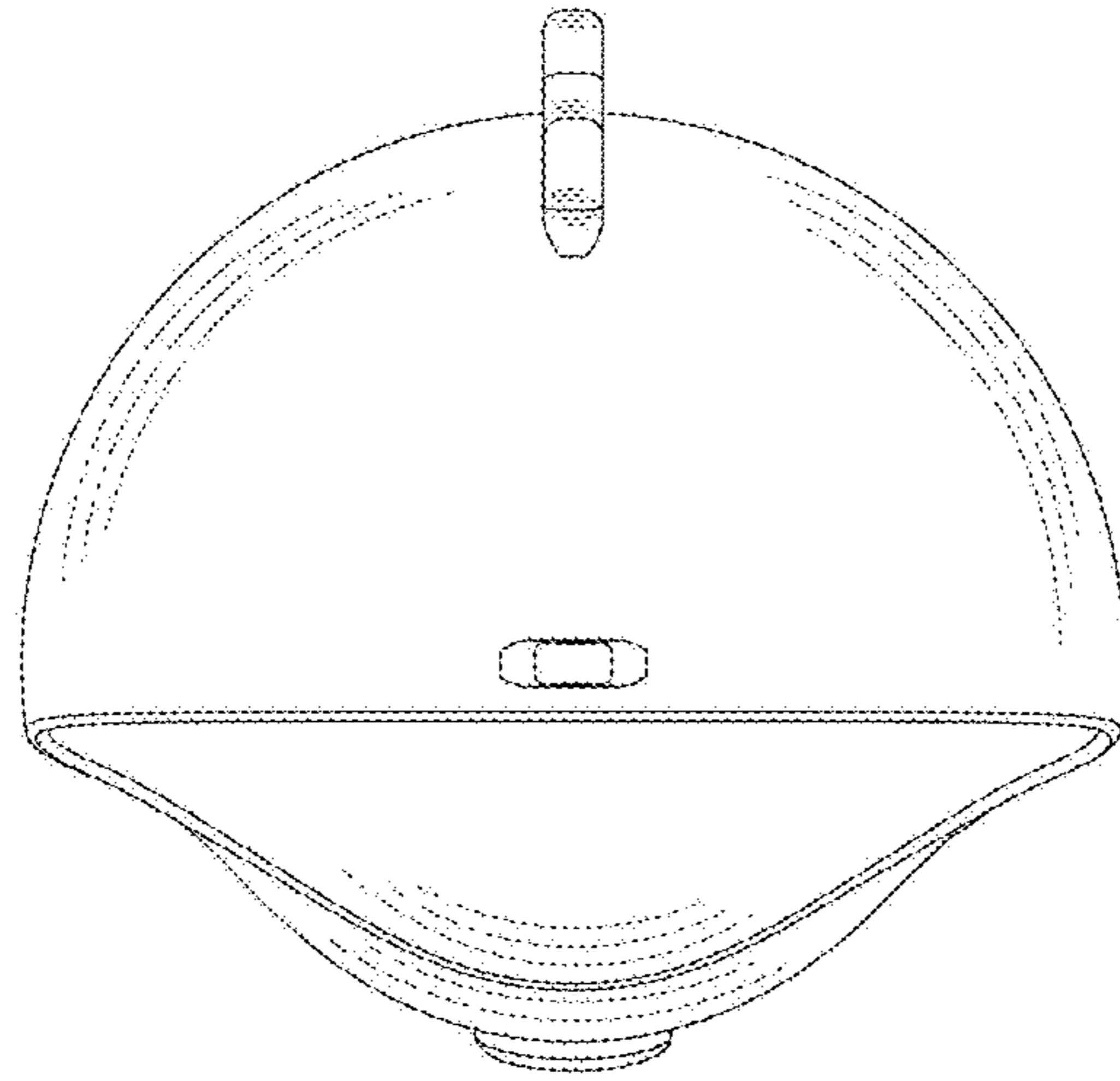


FIG. 7

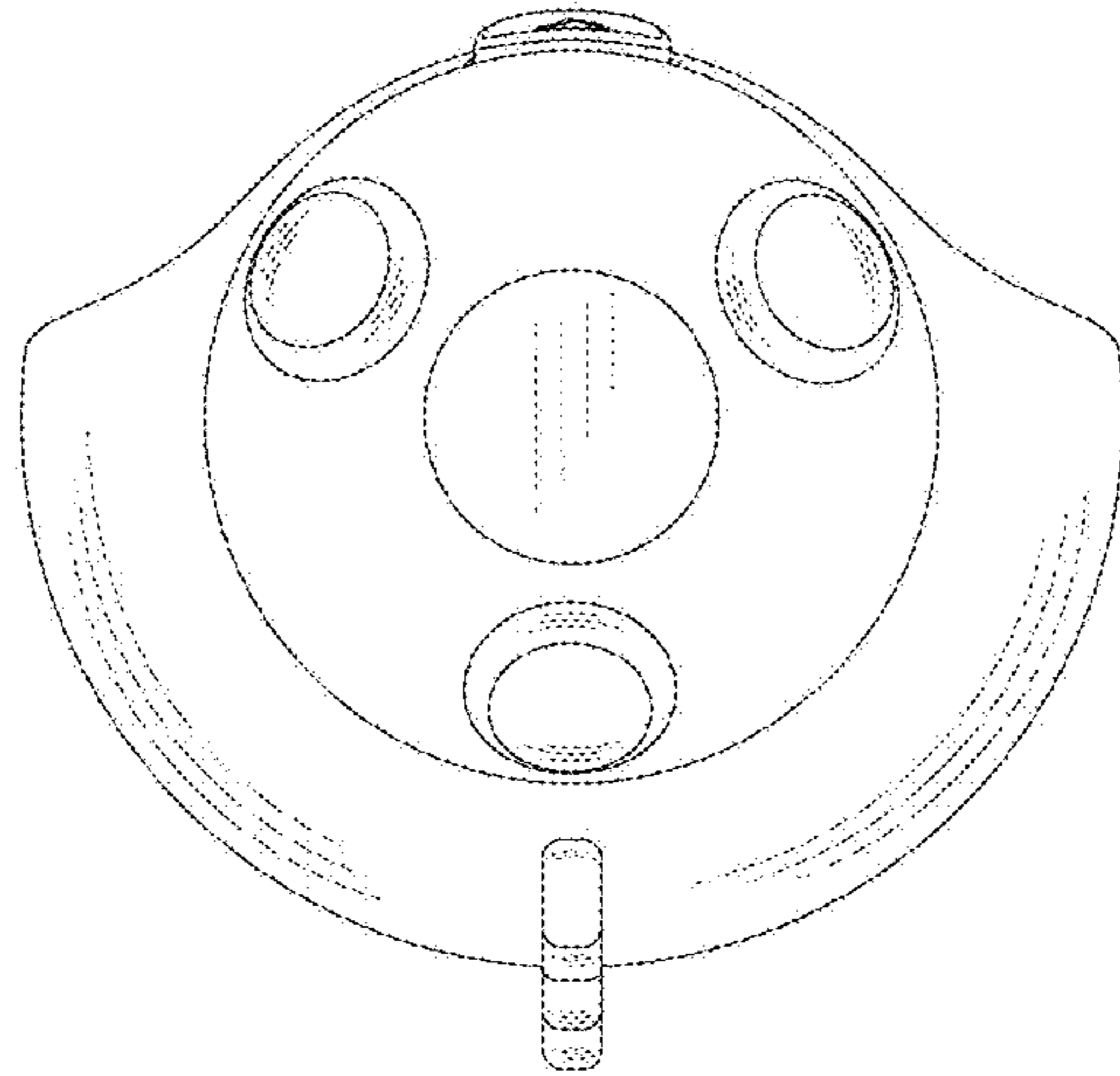


FIG. 8