



US00D950166S

(12) **United States Design Patent**  
**Guan**

(10) **Patent No.:** **US D950,166 S**

(45) **Date of Patent:** **\*\* Apr. 26, 2022**

(54) **PET FEEDER**

(71) Applicant: **SHENZHEN AIWO PET PRODUCTS CO., LTD.**, Shenzhen (CN)

(72) Inventor: **Tianyan Guan**, Shenzhen (CN)

(73) Assignee: **SHENZHEN AIWO PET PRODUCTS CO., LTD.**, Shenzhen (CN)

(\*\*) Term: **15 Years**

(21) Appl. No.: **29/738,946**

(22) Filed: **Jun. 22, 2020**

(30) **Foreign Application Priority Data**

Apr. 17, 2020 (CN) ..... 202030158026.5

(51) **LOC (13) Cl.** ..... **30-03**

(52) **U.S. Cl.**  
USPC ..... **D30/130; D30/132**

(58) **Field of Classification Search**  
USPC ..... D30/121, 122, 129, 130, 131, 132, 133;  
119/51.01, 51.02, 51.03, 51.11, 51.12,  
119/51.13, 51.5, 52.1, 57, 57.1, 57.92, 58,  
119/60, 61.1, 61.5, 61.52, 61.54, 61.55,  
119/61.57, 72, 72.5, 73, 74, 75, 78, 174  
CPC ..... A01K 5/00; A01K 5/0114; A01K 5/0121;  
A01K 5/0135; A01K 7/005; A01K 7/00;  
A01K 39/02; A01K 39/04; A01K 39/0213  
See application file for complete search history.

(56) **References Cited**

**U.S. PATENT DOCUMENTS**

D334,251 S \* 3/1993 Tiu ..... D7/589  
D353,232 S \* 12/1994 Chrisco ..... D7/701  
D362,090 S \* 9/1995 Baldwin ..... D30/130

D373,858 S \* 9/1996 Chen ..... D30/130  
D472,350 S \* 3/2003 Northrop ..... D30/121  
D551,400 S \* 9/2007 Tsengas ..... D30/133  
D669,231 S \* 10/2012 Chance ..... D30/131  
D899,708 S \* 10/2020 Koskey ..... D30/132

**OTHER PUBLICATIONS**

“RESOYE 2 in 1 Pet Automatic Feeder” available Feb. 11, 2022, [online], [site visited Feb. 11, 2022]. Retrieved from Internet, URL:https://www.amazon.com/dp/B09SB57VG5/ref=sr\_1\_76 (Year: 2022).\*

“Double Dog Cat Water and Food Bowl” available Oct. 13, 2020, [online], [site visited Feb. 11, 2022]. Retrieved from Internet, URL:https://www.amazon.com/Automatic-Dispenser-Detachable-Snail-Shaped-Self-Dispensing/dp/B08L56F1SX/ref=sr\_1\_122 (Year: 2020).\*

\* cited by examiner

*Primary Examiner* — Garth Rademaker  
*Assistant Examiner* — Katrina N Gonzalez

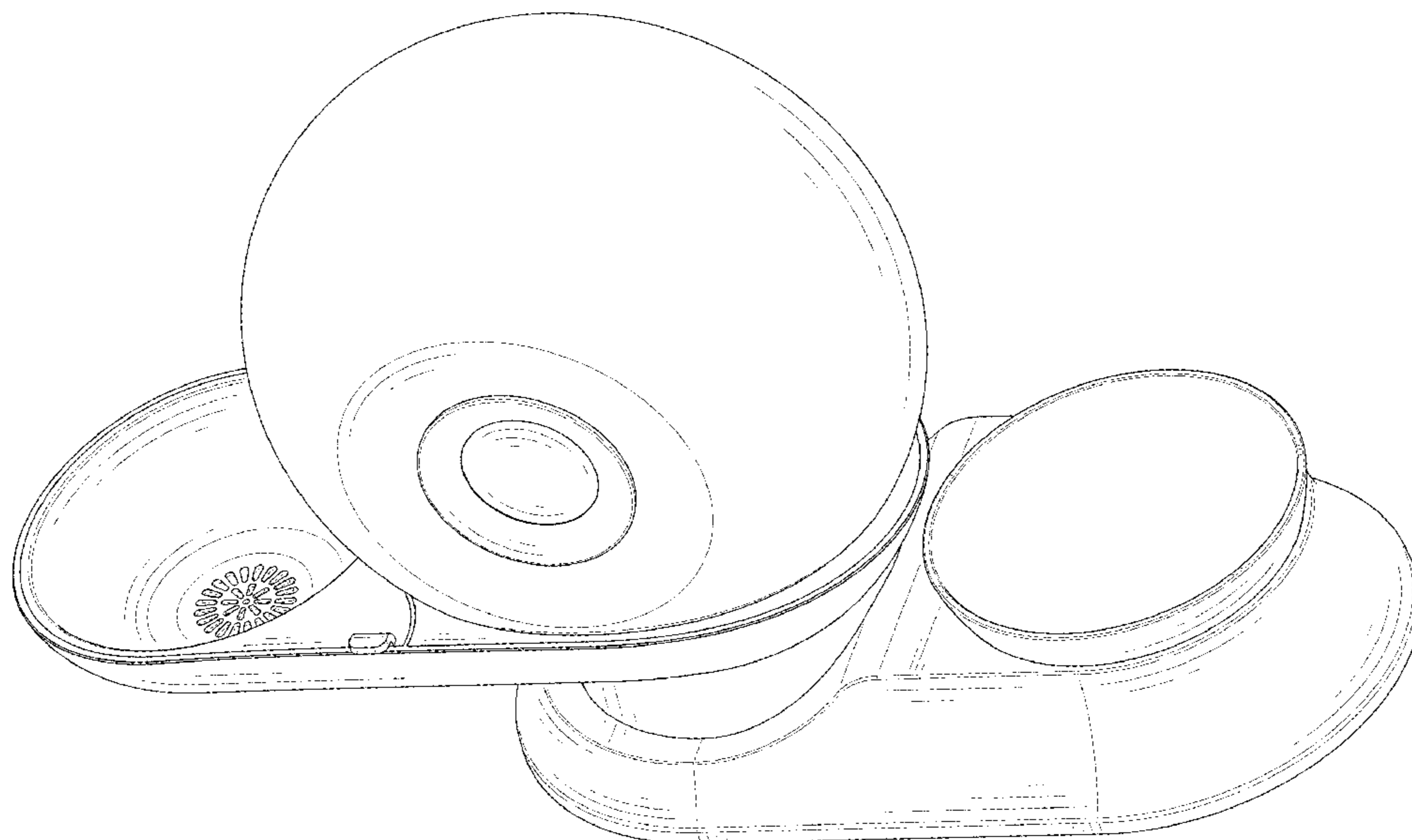
(57) **CLAIM**

The ornamental design for a pet feeder, as shown and described.

**DESCRIPTION**

FIG. 1 is a perspective view of a pet feeder showing my new design;  
FIG. 2 is another perspective view thereof;  
FIG. 3 is a front elevational view thereof;  
FIG. 4 is a rear elevational view thereof;  
FIG. 5 is a left side elevational view thereof;  
FIG. 6 is a right side elevational view thereof;  
FIG. 7 is a top plan view thereof; and,  
FIG. 8 is a bottom plan view thereof.  
The broken lines in the drawings depict portions of the pet feeder that form no part of the claimed design.

**1 Claim, 8 Drawing Sheets**



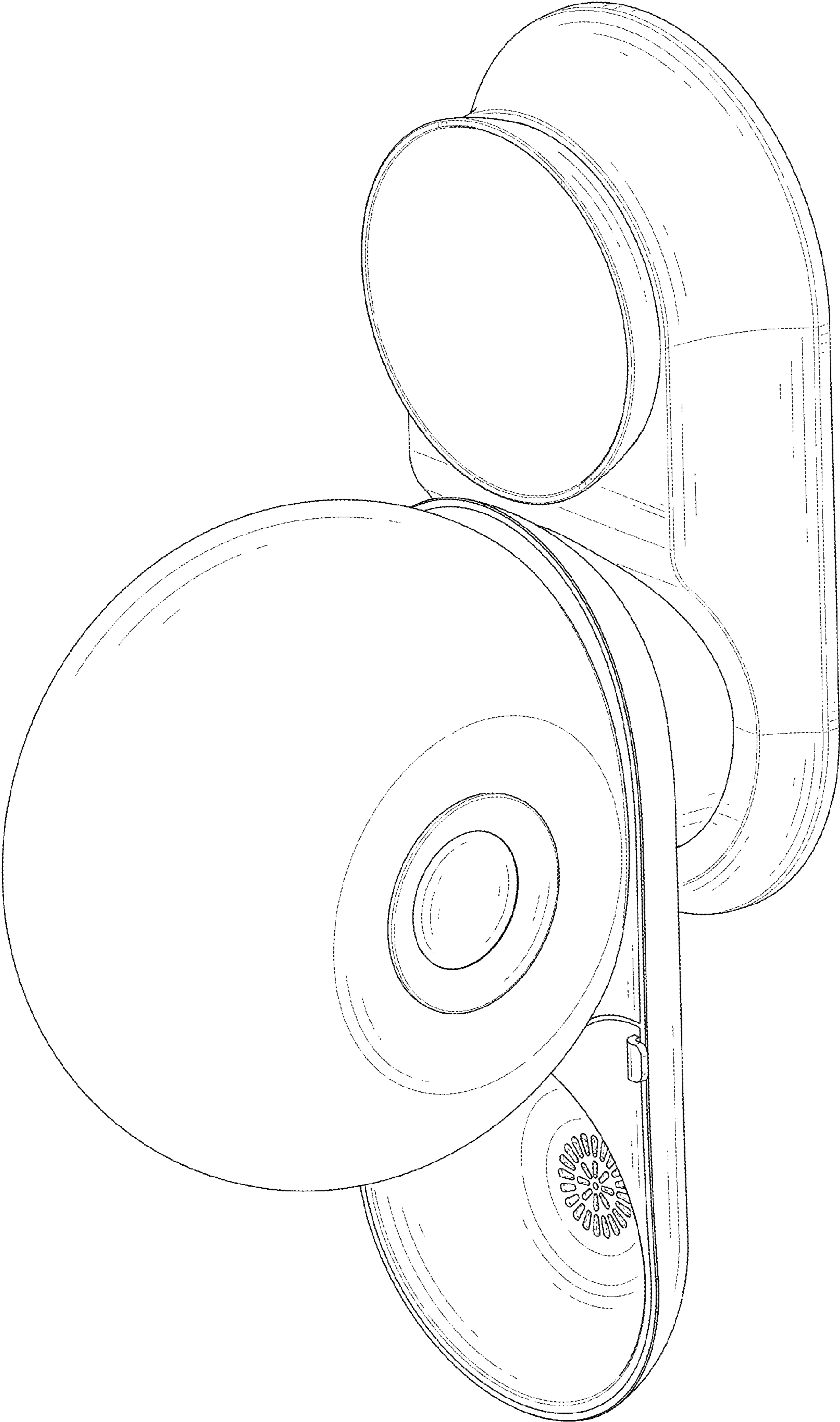


FIG. 1

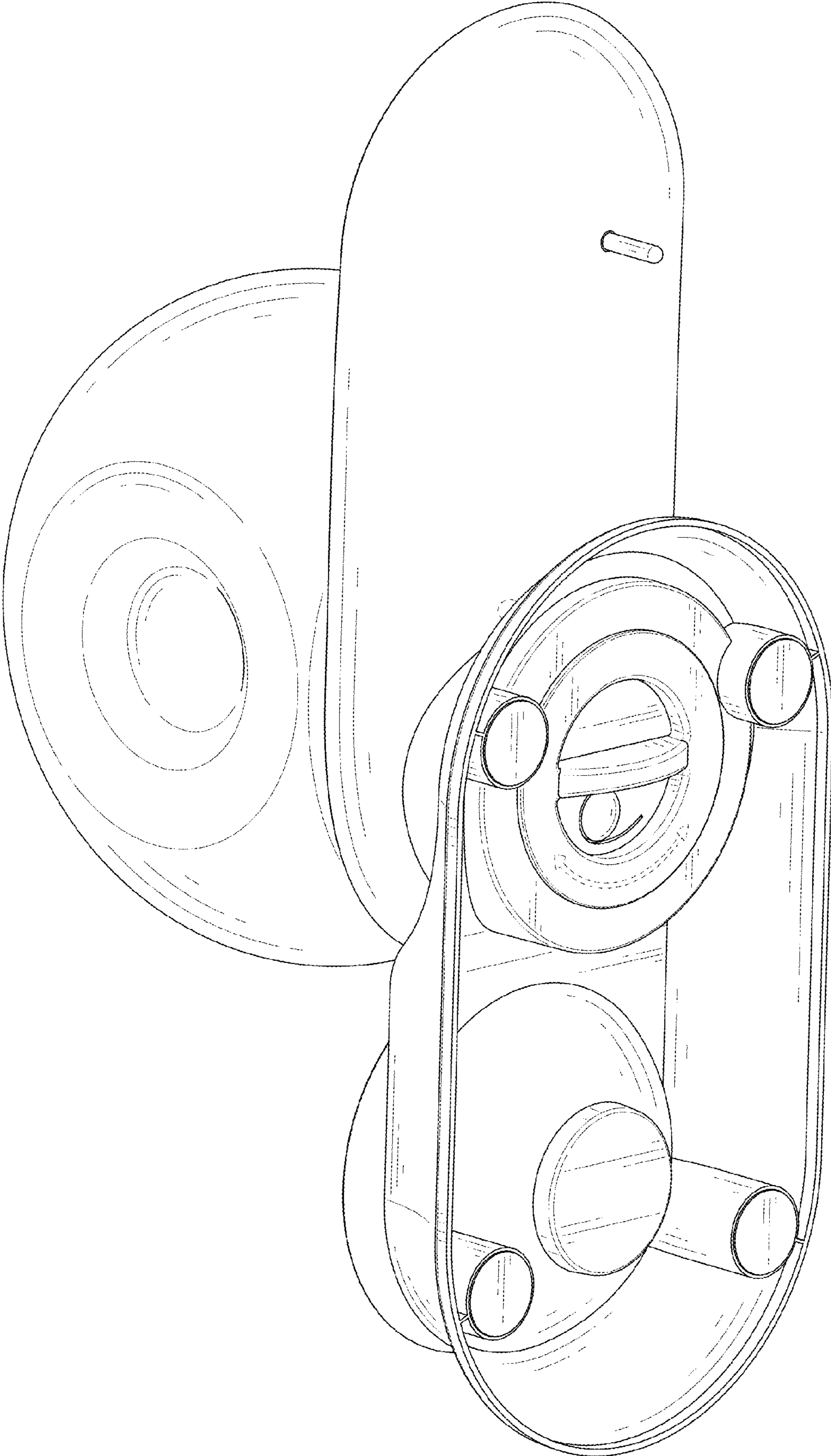


FIG. 2



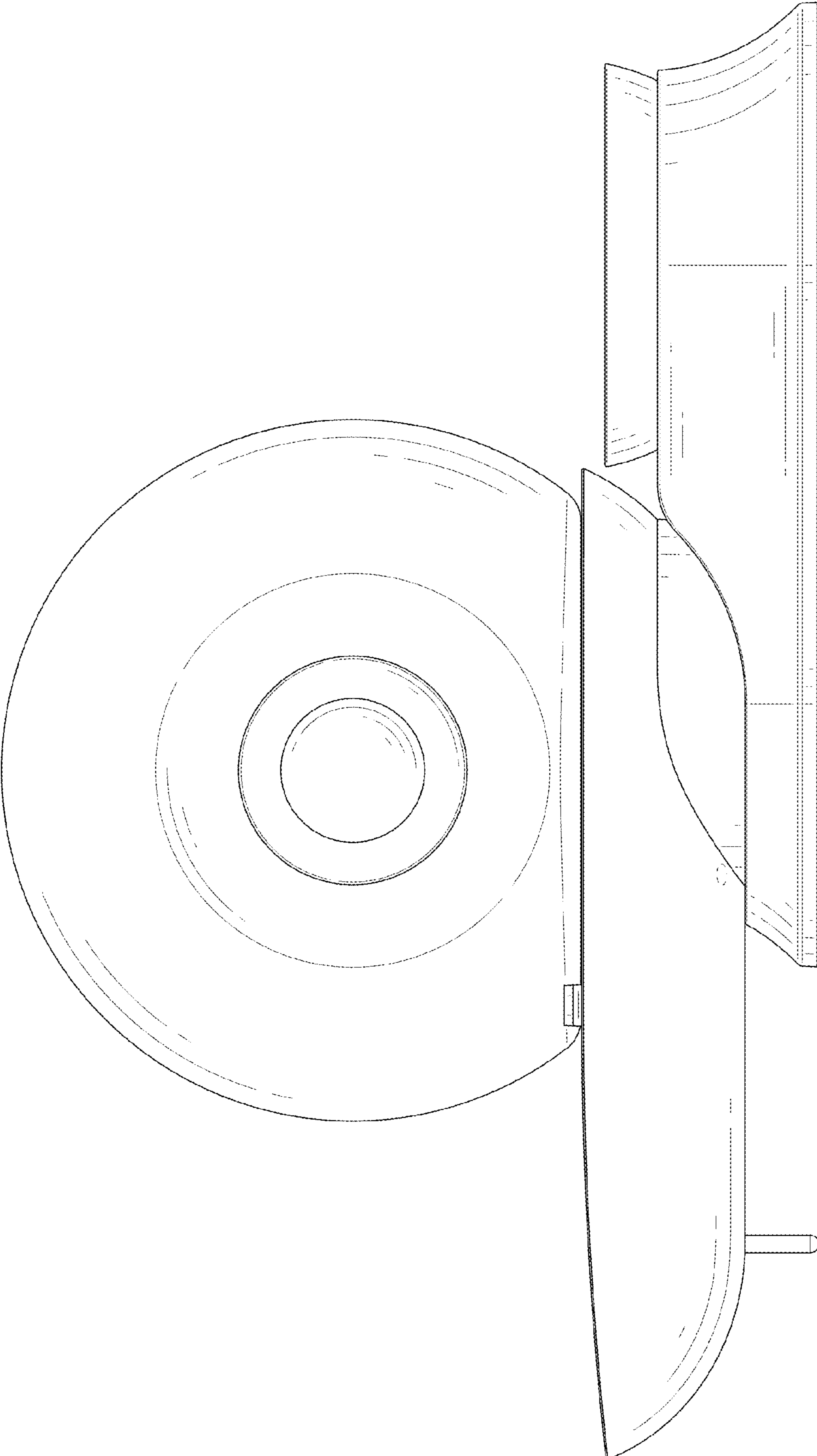


FIG. 3

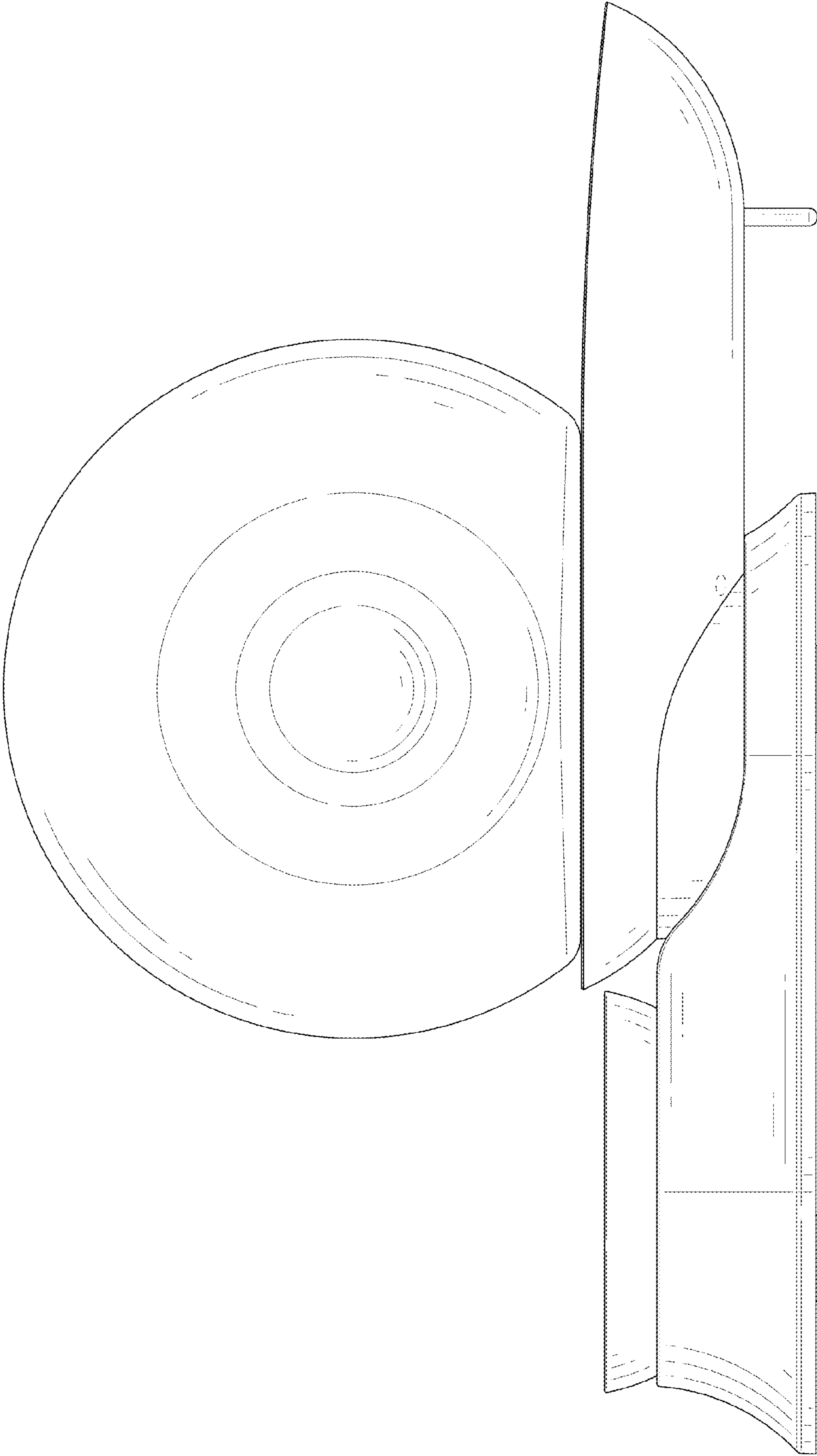


FIG. 4

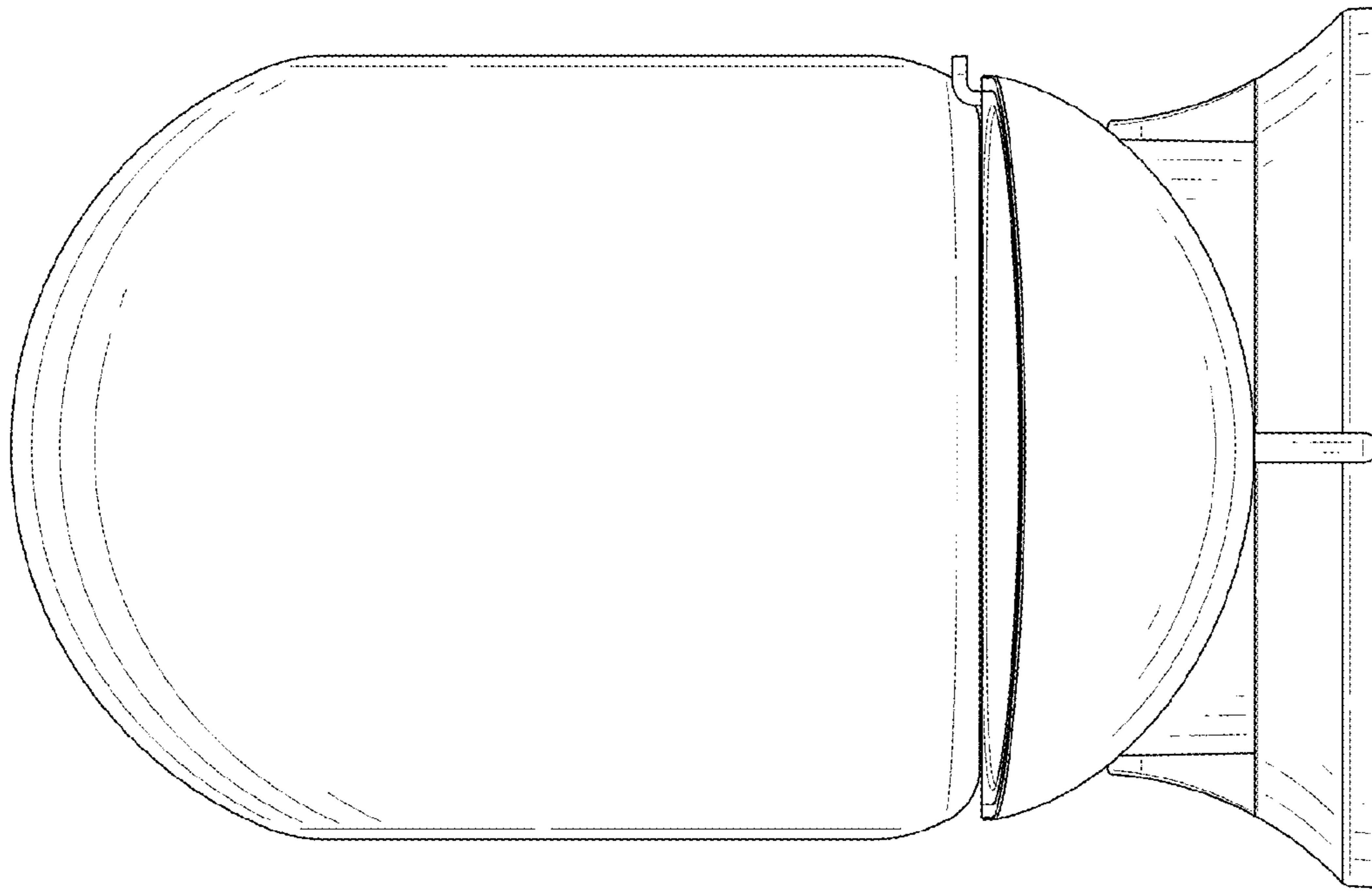


FIG. 5

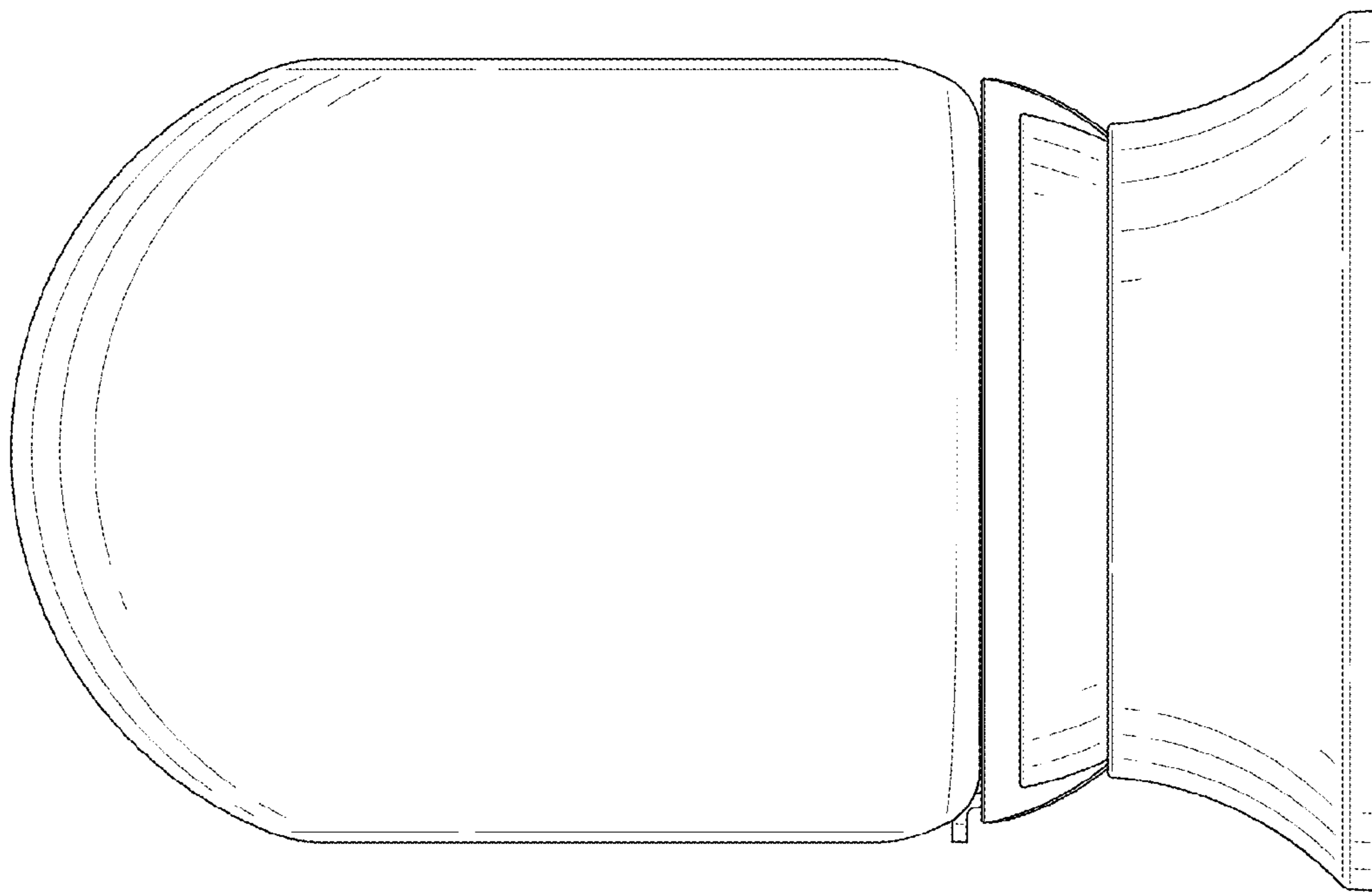


FIG. 6

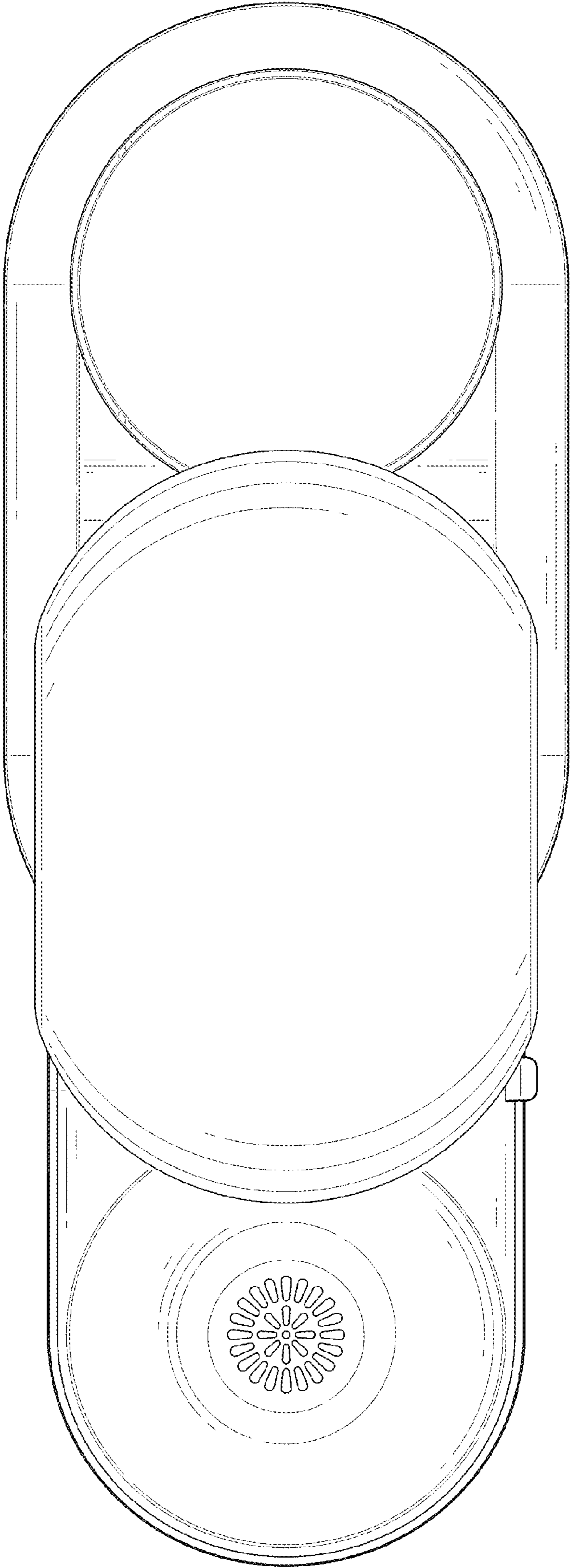


FIG. 7



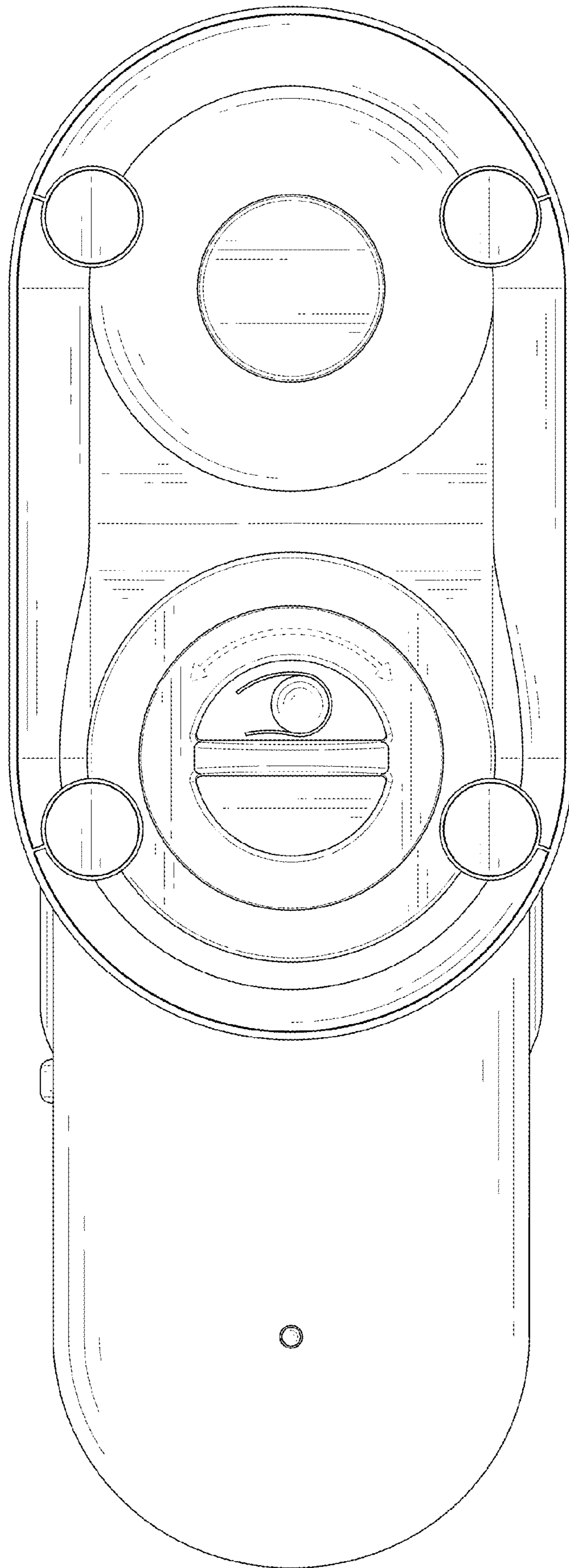


FIG. 8