



US00D950165S

(12) **United States Design Patent** (10) **Patent No.:** **US D950,165 S**
Hou (45) **Date of Patent:** **** Apr. 26, 2022**

(54) **PET FEEDER**
(71) Applicant: **Yanchun Hou**, Zhoukou (CN)
(72) Inventor: **Yanchun Hou**, Zhoukou (CN)
(*) Notice: Patent file contains an affidavit/declaration under 37 CFR 1.130(b).
(**) Term: **15 Years**

D706,494 S * 6/2014 Hansen D30/121
D706,495 S * 6/2014 Hansen D30/121
D806,958 S 1/2018 Maloney
D856,604 S * 8/2019 Peart D30/129
D857,307 S * 8/2019 Miyawaki D30/129
D870,398 S 12/2019 Veness
D874,071 S * 1/2020 Gevaert D30/129
D903,208 S * 11/2020 Hu D30/129
D903,951 S * 12/2020 Hu D30/129
D904,695 S * 12/2020 Becattini, Jr. D30/129
D940,966 S * 1/2022 Murphy D30/130

(21) Appl. No.: **29/782,728**
(22) Filed: **May 8, 2021**
(51) **LOC (13) Cl.** **30-03**
(52) **U.S. Cl.**
USPC **D30/129; D30/130**
(58) **Field of Classification Search**
USPC D30/121, 122, 129, 130, 131, 132, 133;
119/51.01, 51.02, 51.03, 51.11, 51.12,
119/51.13, 51.5, 52.1, 57.1, 57.92, 58, 60,
119/61.1, 61.5, 61.52, 61.54, 61.55,
119/61.57, 72, 72.5, 73, 74, 75, 78, 174,
119/57
CPC A01K 5/00; A01K 5/0114; A01K 5/0121;
A01K 5/0135; A01K 7/005; A01K 7/00;
A01K 39/02; A01K 39/04; A01K 39/0213
See application file for complete search history.

OTHER PUBLICATIONS

“UPSKY slow feeder” available Mar. 1, 2021, [online], [site visited Jan. 26, 2022]. Retrieved from Internet, URL:https://www.amazon.com/UPSKY-Anti-Chocking-Pattern-Interactive-Non-Slide/dp/B08XQ2477B/ref=sr_1_24 (Year: 2021).*

(Continued)

Primary Examiner — W. A. Teddy Falloway
Assistant Examiner — Katrina N Gonzalez

(57) **CLAIM**

The ornamental design for a pet feeder, as shown and described.

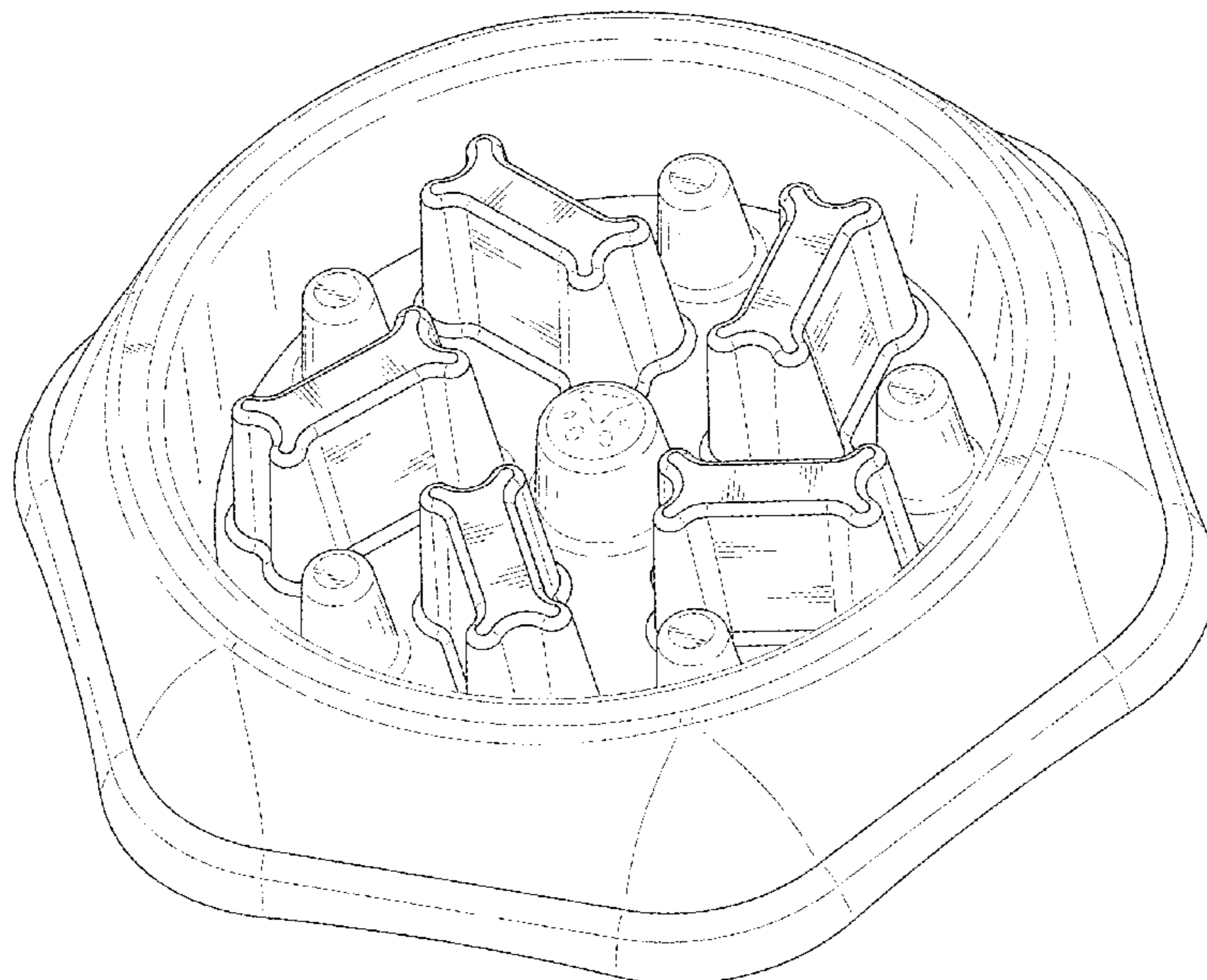
DESCRIPTION

FIG. 1 is a perspective view of a pet feeder showing my new design;
FIG. 2 is another perspective view thereof;
FIG. 3 is a front elevational view thereof;
FIG. 4 is a rear elevational view thereof;
FIG. 5 is a left side elevational view thereof;
FIG. 6 is a right side elevational view thereof;
FIG. 7 is a top plan view thereof; and,
FIG. 8 is a bottom plan view thereof.
The broken lines in the drawings depict portions of the pet feeder that form no part of the claimed design.

1 Claim, 8 Drawing Sheets

(56) **References Cited**
U.S. PATENT DOCUMENTS

D590,109 S * 4/2009 Anderson D30/129
D648,904 S * 11/2011 Tedaldi A01K 1/0135
D654,230 S * 2/2012 Tedaldi D30/129
D699,009 S * 2/2014 Hansen D30/121
D705,999 S * 5/2014 Hansen D30/121
D706,000 S * 5/2014 Martinez D30/121
D706,001 S * 5/2014 Hansen D30/121
D706,493 S * 6/2014 Hansen D30/121



(56)

References Cited

OTHER PUBLICATIONS

“Slow Feeder Dog Bowls” available May 31, 2021, [online], [site visited Jan. 26, 2022]. Retrieved from Internet, URL:https://www.amazon.com/Durable-Pattern-Anti-Chocking-Healthy-Interactive/dp/B09685NHTB/ref=sr_1_54 (Year: 2021).*

“Slow Feeder Dog Bowls—Caishow” available Sep. 23, 2021, [online], [site visited Jan. 26, 2022]. Retrieved from Internet, URL:https://www.amazon.com/Slow-Feeder-Puppy-Puzzle-Feeders/dp/B09GX9T4ZX/ref=sr_1_142_ssqa (Year: 2021).*

* cited by examiner

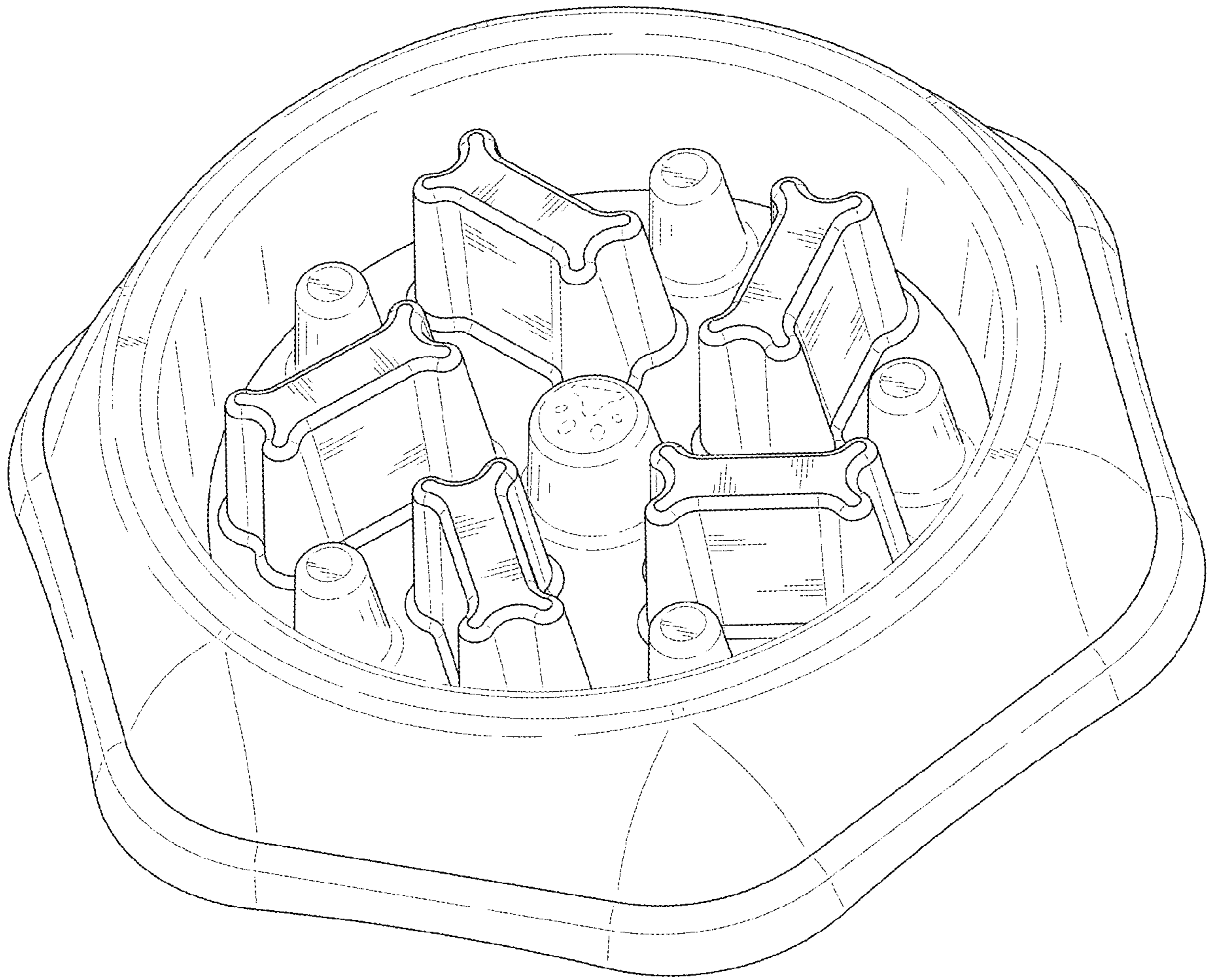


FIG. 1

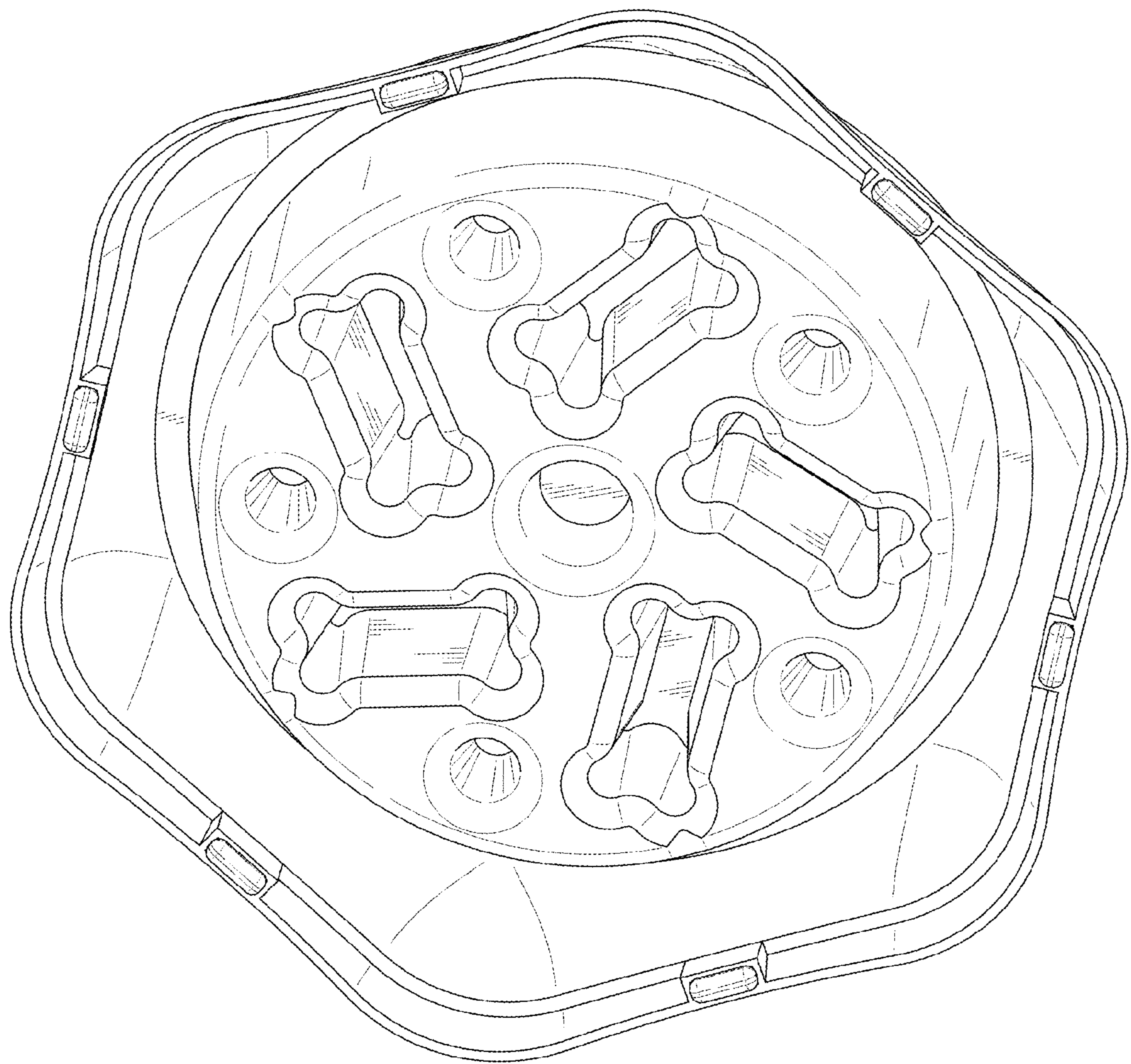


FIG. 2

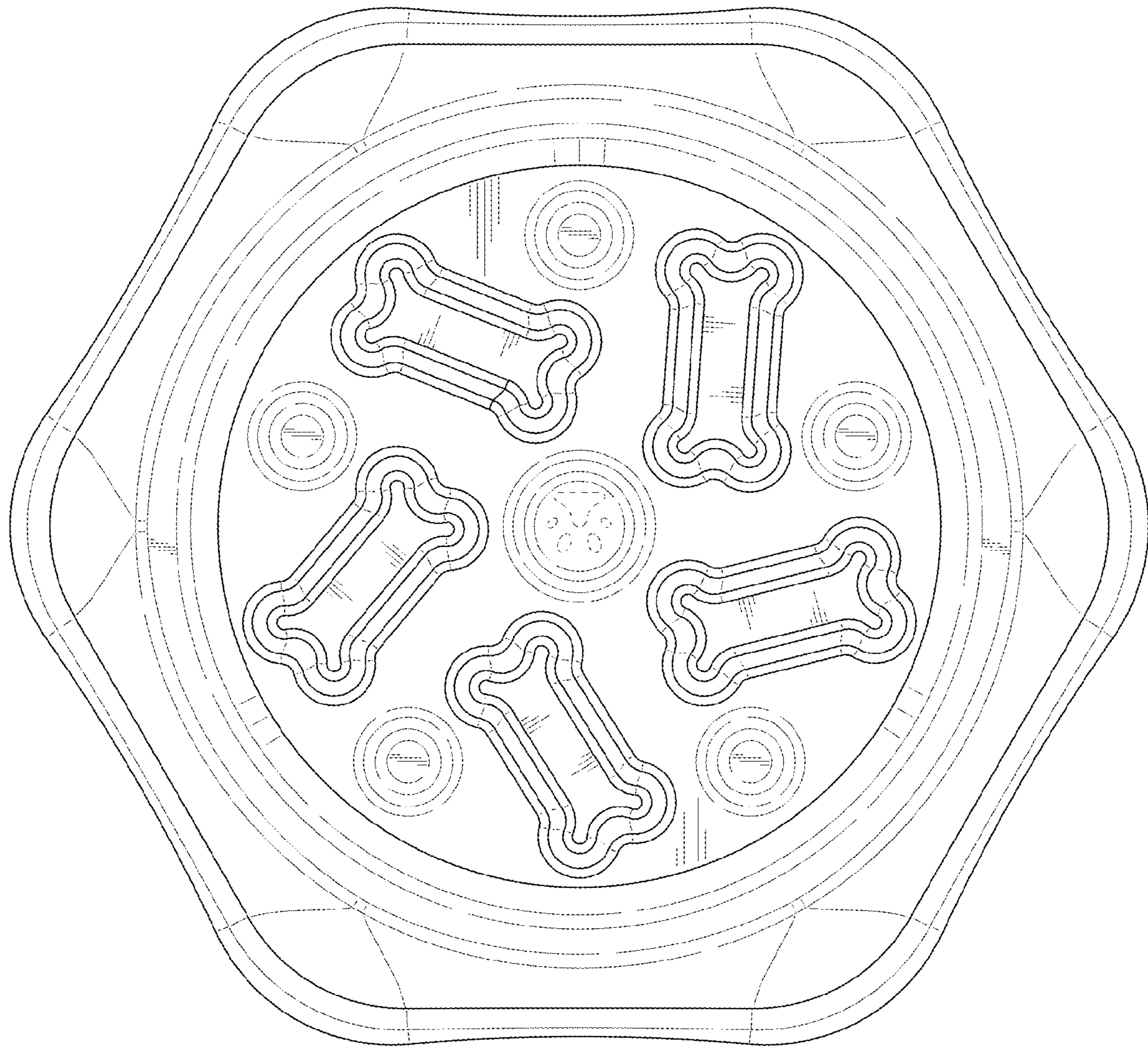


FIG. 3

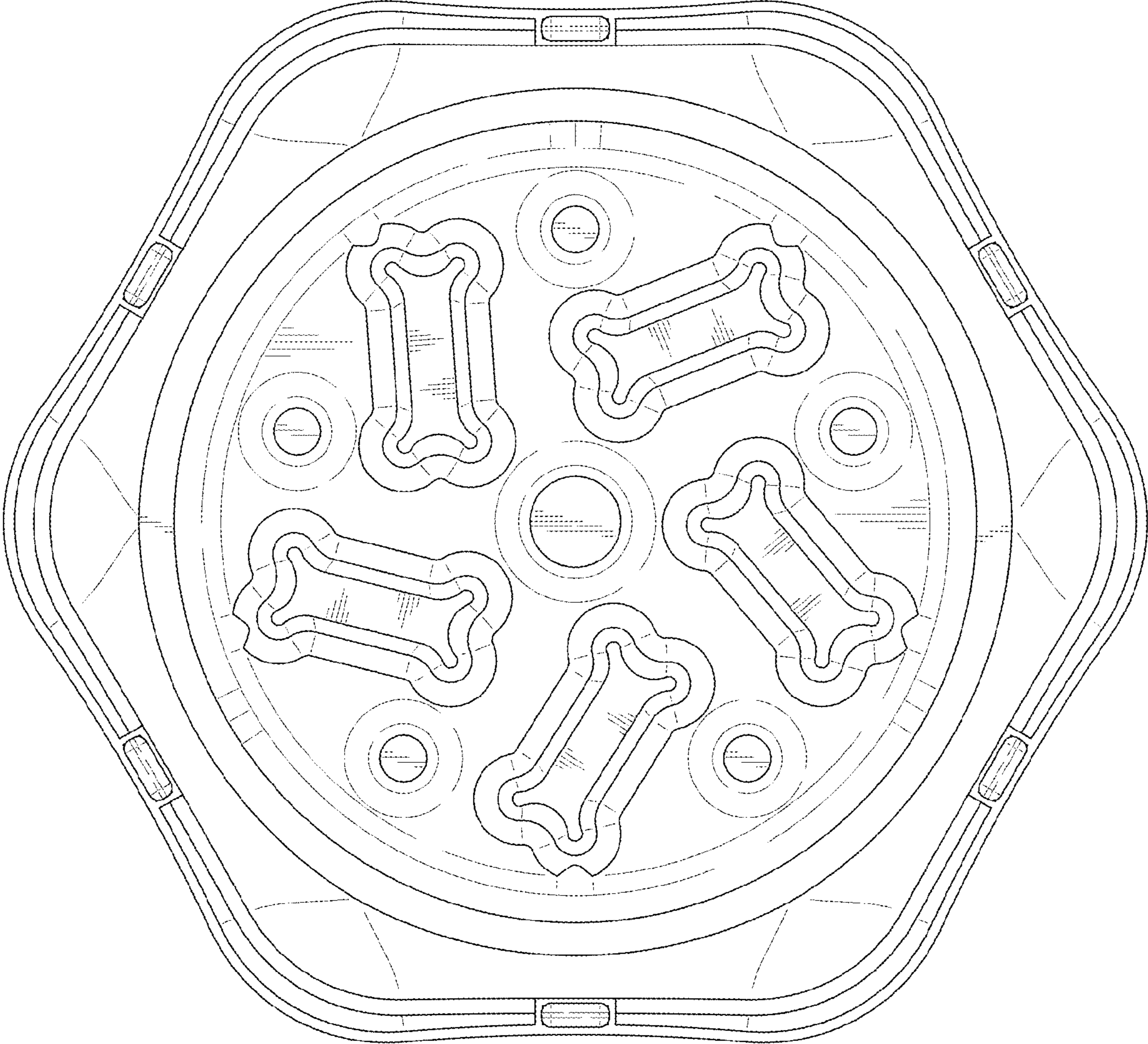


FIG. 4

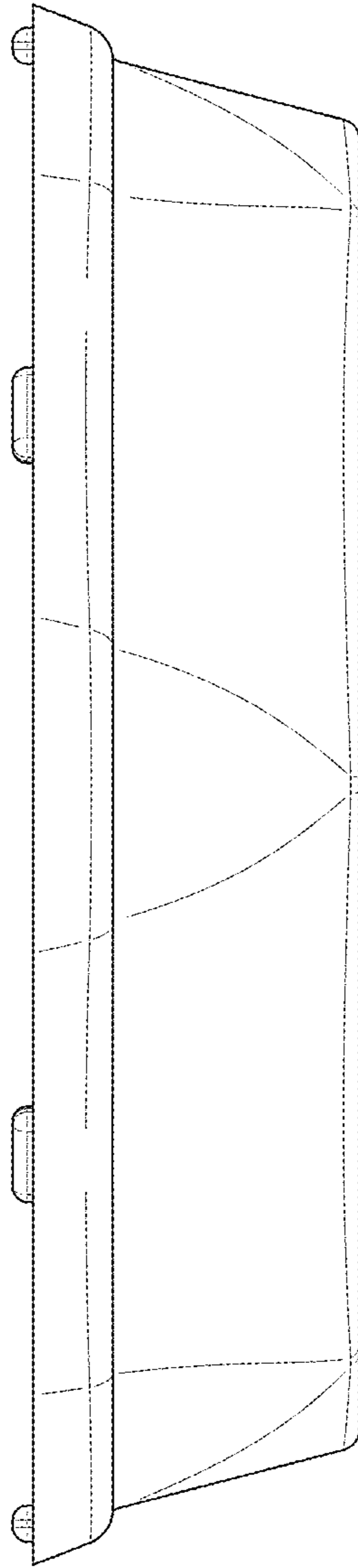


FIG. 5

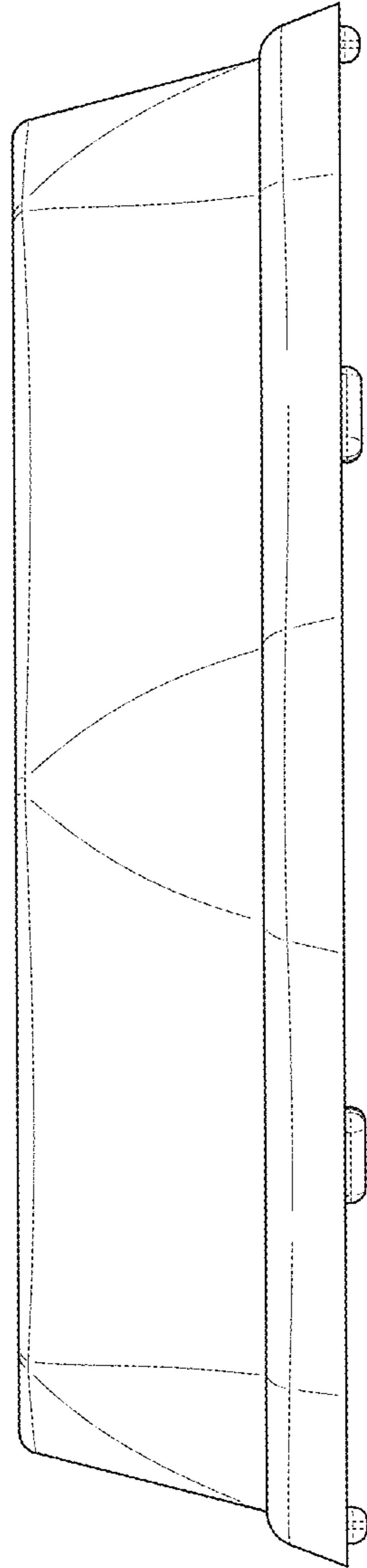


FIG. 6

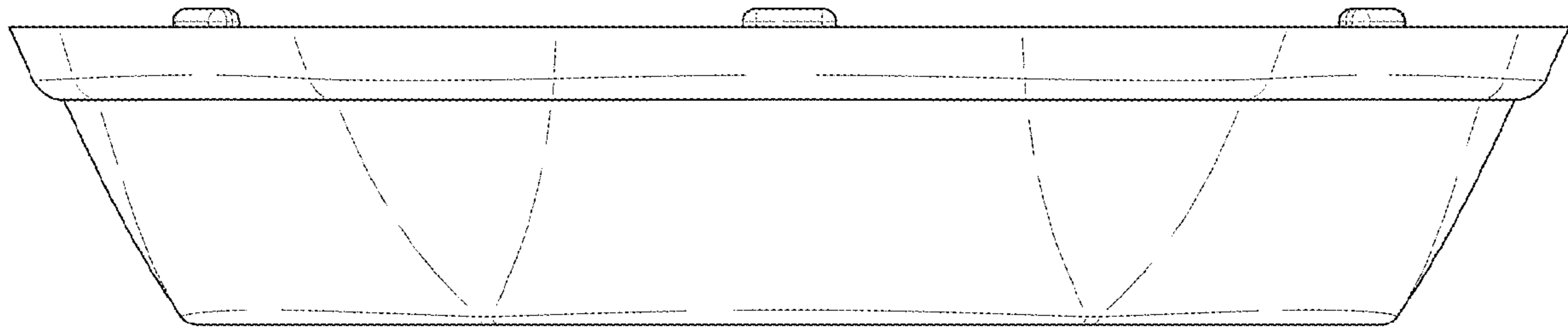


FIG. 7

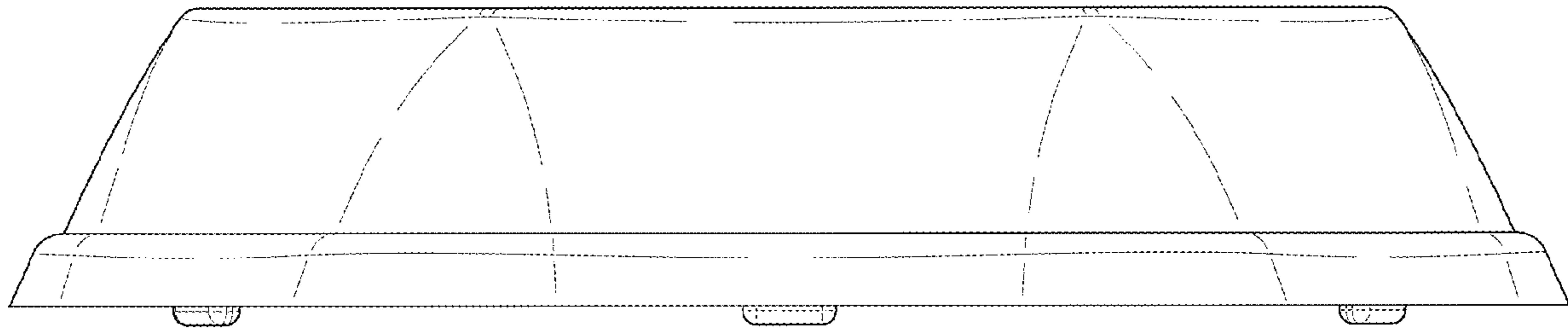


FIG. 8