



US00D950164S

(12) **United States Design Patent**
Jin

(10) **Patent No.:** **US D950,164 S**
(45) **Date of Patent:** **** Apr. 26, 2022**

(54) **PET FEEDER**

(71) Applicant: **Shenzhen DJ Innovation Industry Co., Ltd, Shenzhen (CN)**

(72) Inventor: **Bo Jin, Shenzhen (CN)**

(**) Term: **15 Years**

(21) Appl. No.: **29/754,725**

(22) Filed: **Oct. 14, 2020**

(51) **LOC (13) Cl.** **30-07**

(52) **U.S. Cl.**
USPC **D30/122**

(58) **Field of Classification Search**

USPC D30/121, 122, 129-133, 120; 119/61.5, 119/51.01, 61.56, 51.03, 59, 62, 63, 51.5, 119/57.8, 74, 61.54, 61.55, 53, 53.5, 75, 119/56.2, 51.02, 51.11, 51.12, 57.1, 52.1, 119/515; 312/204; 248/151, 188; 108/156, 153.1-157; 220/23.87, 630, 220/737, 743, 9.4, 495.01, 574, 212, 255, 220/23.83; 206/515; D7/586, 543, D7/550.1, 587, 505, 584, 545, 500, D7/553.1-553.8, 546, 555, 556, 504, 565, D7/562, 602, 605, 312, 313, 320, 307, D7/306, 309, 354, 311, 399, 397, 323, D7/332, 331, 347, 346, 322, 318, 317, D7/316, 619.1; D9/429; 43/109; D22/122; 99/430, DIG. 15, 280, 285, 99/312; 222/209, 131, 363, 349, 517, 222/153.13, 401, 1, 146.5, 23, 54, 64, 51, 222/156, 399, 400.8; 219/438, 439, 441, 219/385, 386, 402, 407; 210/94, 184, 210/474, 477
CPC A01K 5/02; A01K 5/0225; A01K 5/0114; A01K 5/025; A01K 5/0266; A01K 5/0275; A01K 5/0283; A01K 5/0291; A01K 5/0258; A01K 5/0142; A01K 5/0233; A01K 29/00; A01K 7/00; G01F 11/24; G01F 23/02; B67D 1/0425; B67D 1/04; B67D 1/00; B67D 1/02; B67D

1/0871; B67D 1/0802; A47J 41/0033; A47J 41/005; A47J 41/0088; A47J 41/0094; A47J 31/04; A47J 31/053; B05B 11/00; B05B 11/0002; B05B 11/0005; B05B 11/001; C02F 1/003; C02F 1/283; C02F 2307/02

See application file for complete search history.

(56) **References Cited**

U.S. PATENT DOCUMENTS

3,112,733 A * 12/1963 Arnott A01K 7/02
119/77
3,720,184 A * 3/1973 Pearce A01K 5/0225
119/51.5
D232,847 S * 9/1974 Okubo D30/121
4,034,715 A * 7/1977 Arner A01K 5/0114
119/51.5
4,721,063 A * 1/1988 Atchley A01K 5/0114
119/52.1
D294,750 S * 3/1988 Atchley D30/132
4,840,143 A * 6/1989 Simon A01K 5/0225
119/52.1

(Continued)

Primary Examiner — Susan Moon Lee

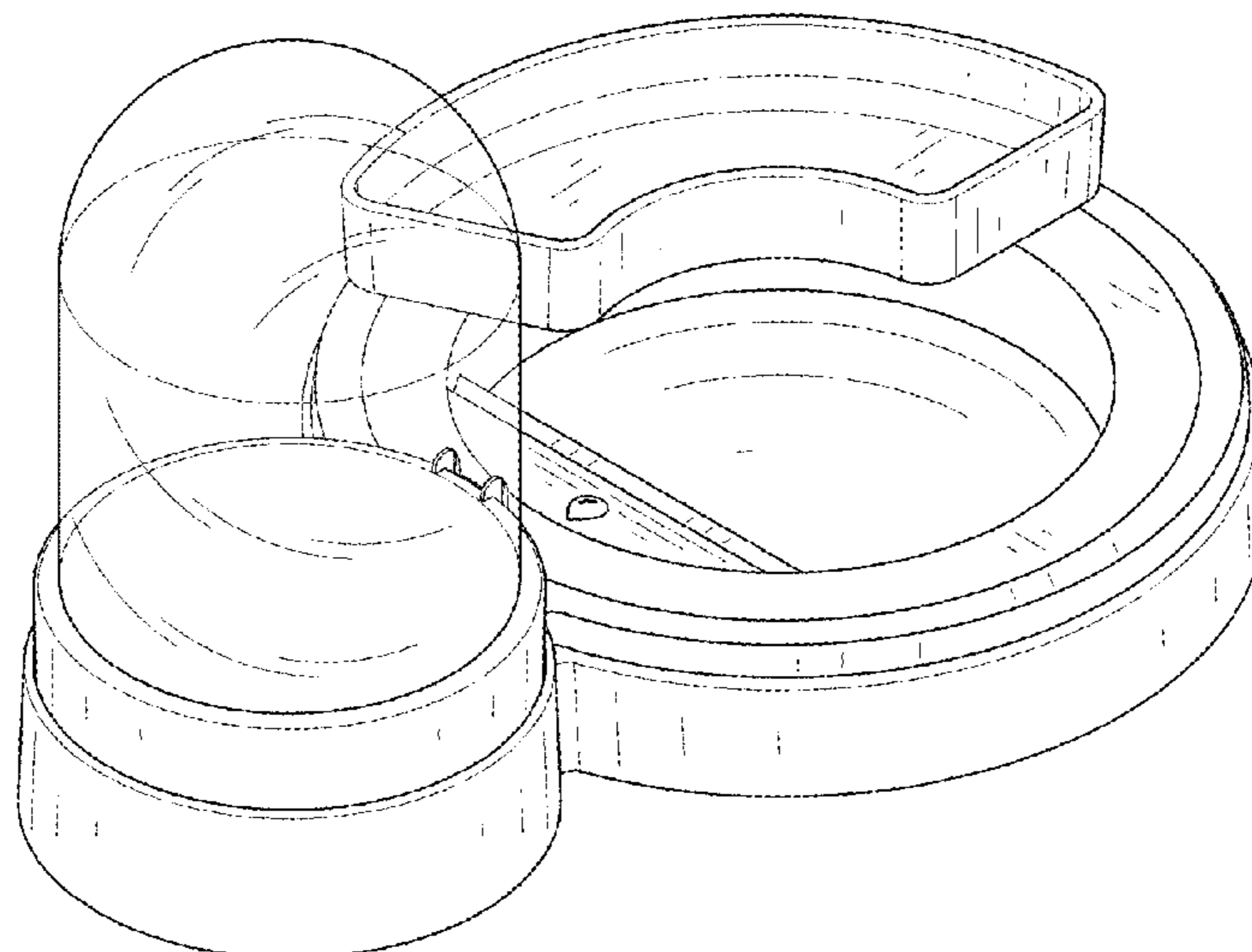
(57) **CLAIM**

The ornamental design for a pet feeder, as shown and described.

DESCRIPTION

FIG. 1 is a first perspective view of a pet feeder, showing my new design;
FIG. 2 is a second perspective view thereof;
FIG. 3 is a front view thereof;
FIG. 4 is a back view thereof;
FIG. 5 is a left side view thereof;
FIG. 6 is a right side view thereof;
FIG. 7 is a top view thereof; and,
FIG. 8 is a bottom view thereof.

1 Claim, 8 Drawing Sheets



(56)

References Cited

U.S. PATENT DOCUMENTS

D334,251 S * 3/1993 Tiu D30/122
 5,423,291 A * 6/1995 Daugherty A01K 39/012
 119/52.2
 D371,643 S * 7/1996 Lillelund D30/122
 D374,109 S * 9/1996 Lillelund D30/121
 D374,516 S * 10/1996 Lillelund D30/121
 D383,797 S * 9/1997 Finnegan D30/121
 5,687,783 A * 11/1997 Finnegan A01K 7/02
 119/77
 6,880,484 B1 * 4/2005 Lee A01G 27/02
 119/74
 D540,492 S * 4/2007 Gorr D30/131
 D622,012 S * 8/2010 Lorenzana D30/131
 7,895,973 B1 * 3/2011 Whelan A01K 5/025
 119/51.02
 D693,067 S * 11/2013 Scherbing D30/132
 D731,124 S * 6/2015 Shin D30/122
 9,198,398 B2 * 12/2015 Rogers A01K 7/06

D751,774 S * 3/2016 Allen D30/122
 9,414,568 B2 * 8/2016 Veness A01K 5/0275
 D827,213 S * 8/2018 Veness D30/132
 D840,115 S * 2/2019 Nieves D30/122
 D858,901 S * 9/2019 Zhong D30/132
 10,609,899 B2 * 4/2020 Veness A01K 5/0225
 D899,708 S * 10/2020 Koskey D30/132
 2002/0096120 A1 * 7/2002 Busha A01K 5/0291
 119/51.5
 2006/0230676 A1 * 10/2006 Rowe A01K 7/00
 47/66.6
 2007/0012253 A1 * 1/2007 Zheng A01K 5/0291
 119/51.02
 2009/0173282 A1 * 7/2009 Wu A01K 5/0275
 119/51.02
 2013/0269620 A1 * 10/2013 Qiu A01K 7/00
 119/56.1
 2014/0083364 A1 * 3/2014 Anderson A01K 5/01
 119/51.01
 2017/0202178 A1 * 7/2017 Gordon B65D 77/2032
 2018/0027763 A1 * 2/2018 Veness A01K 5/0114

* cited by examiner

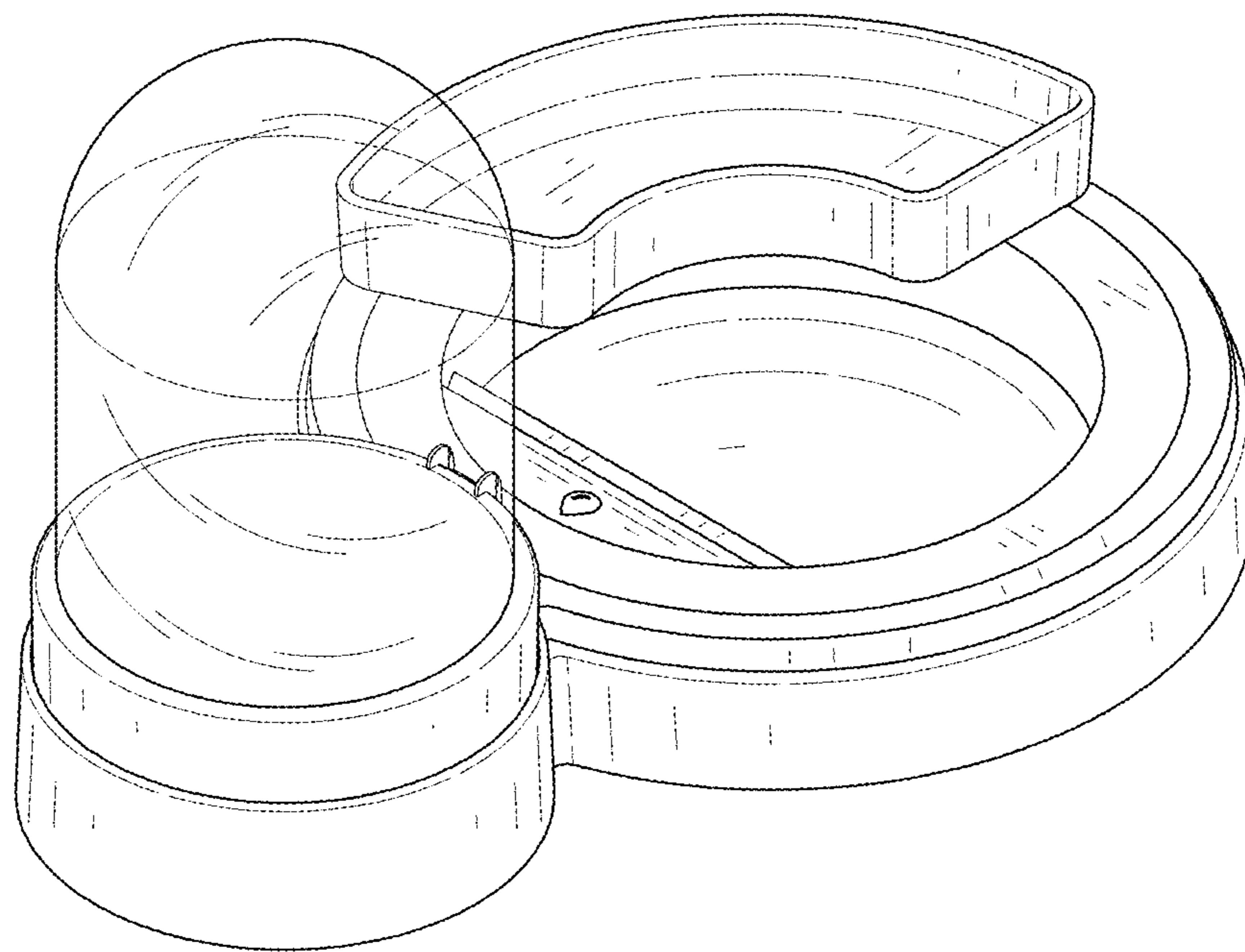


FIG. 1

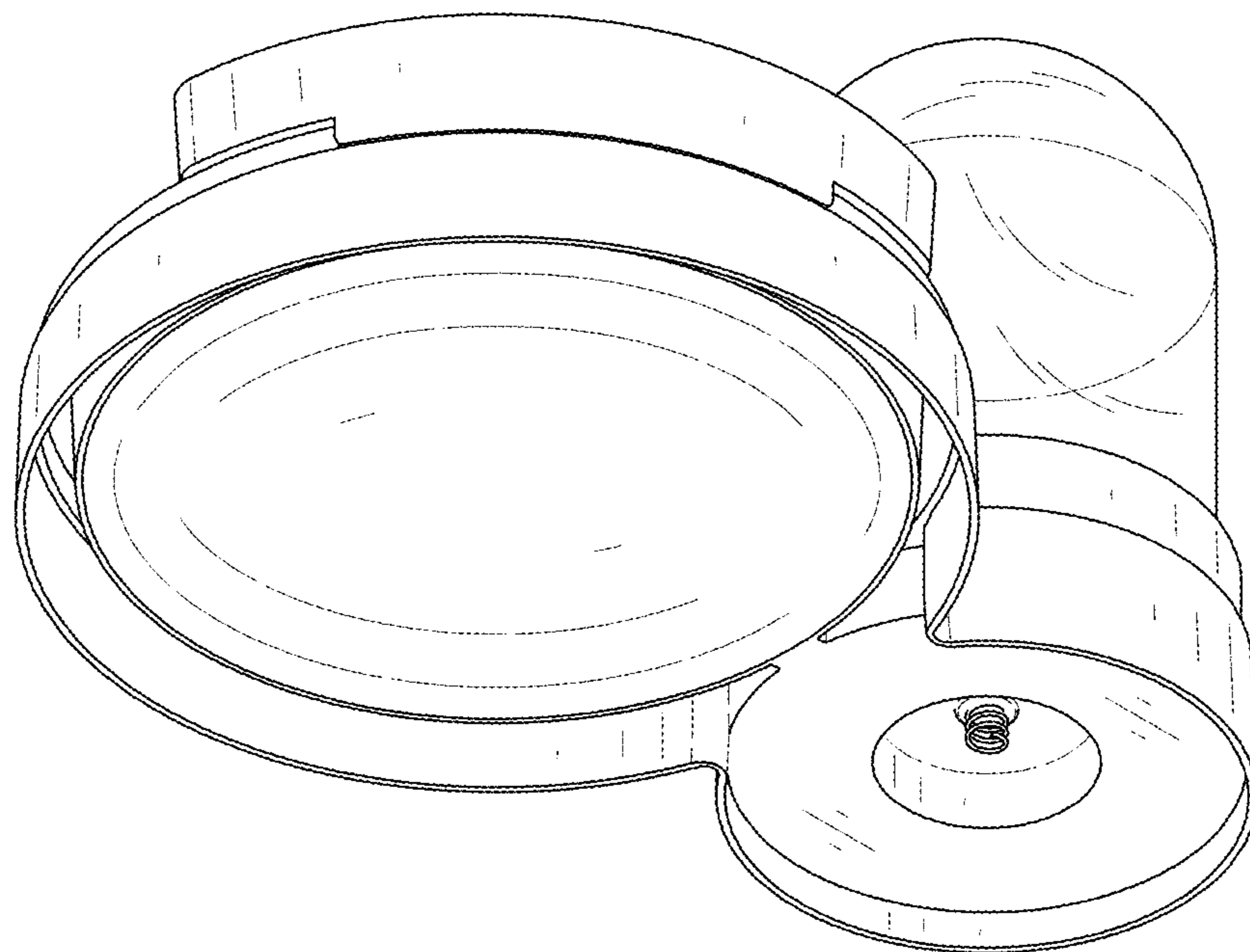


FIG. 2

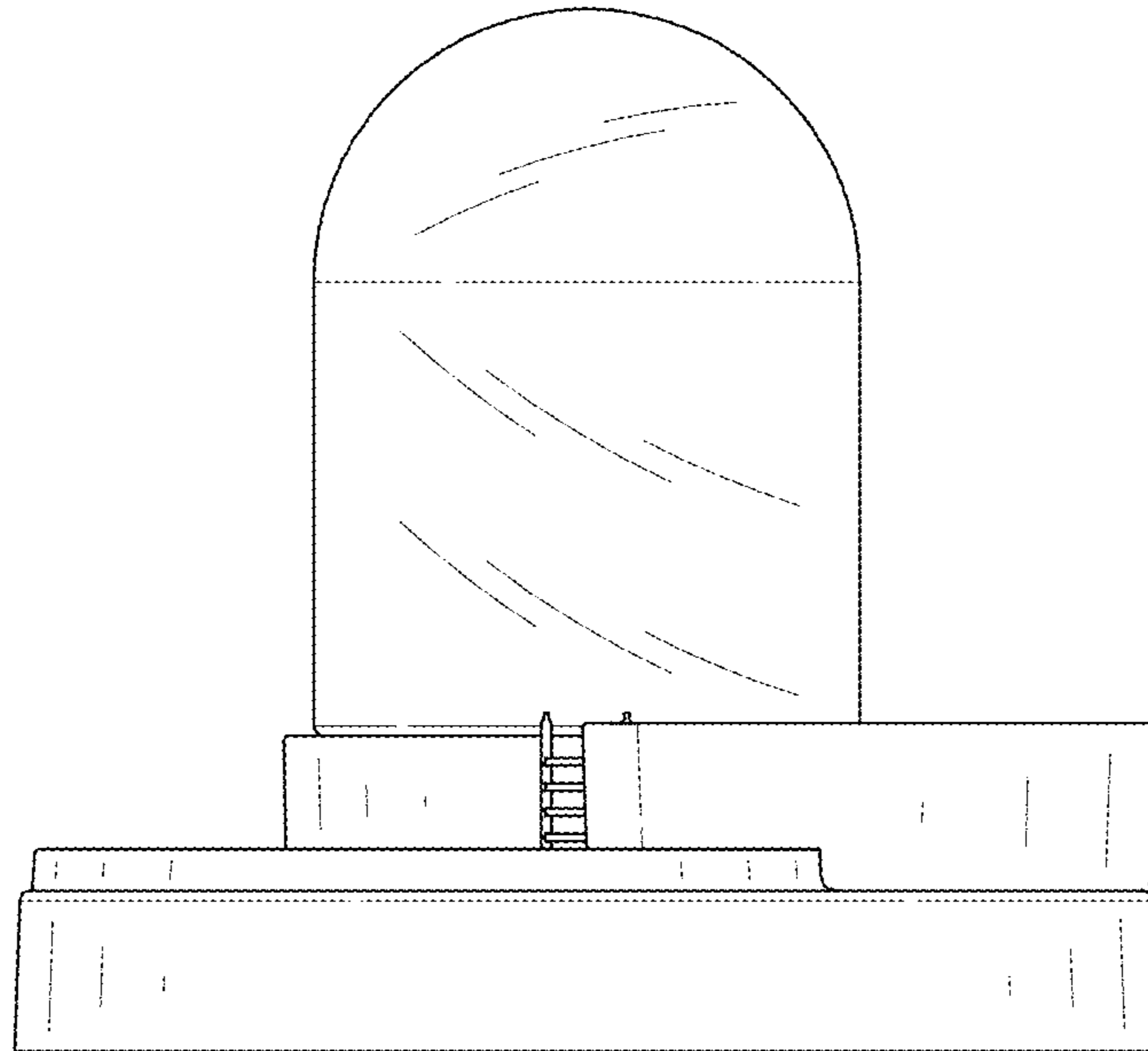


FIG. 3

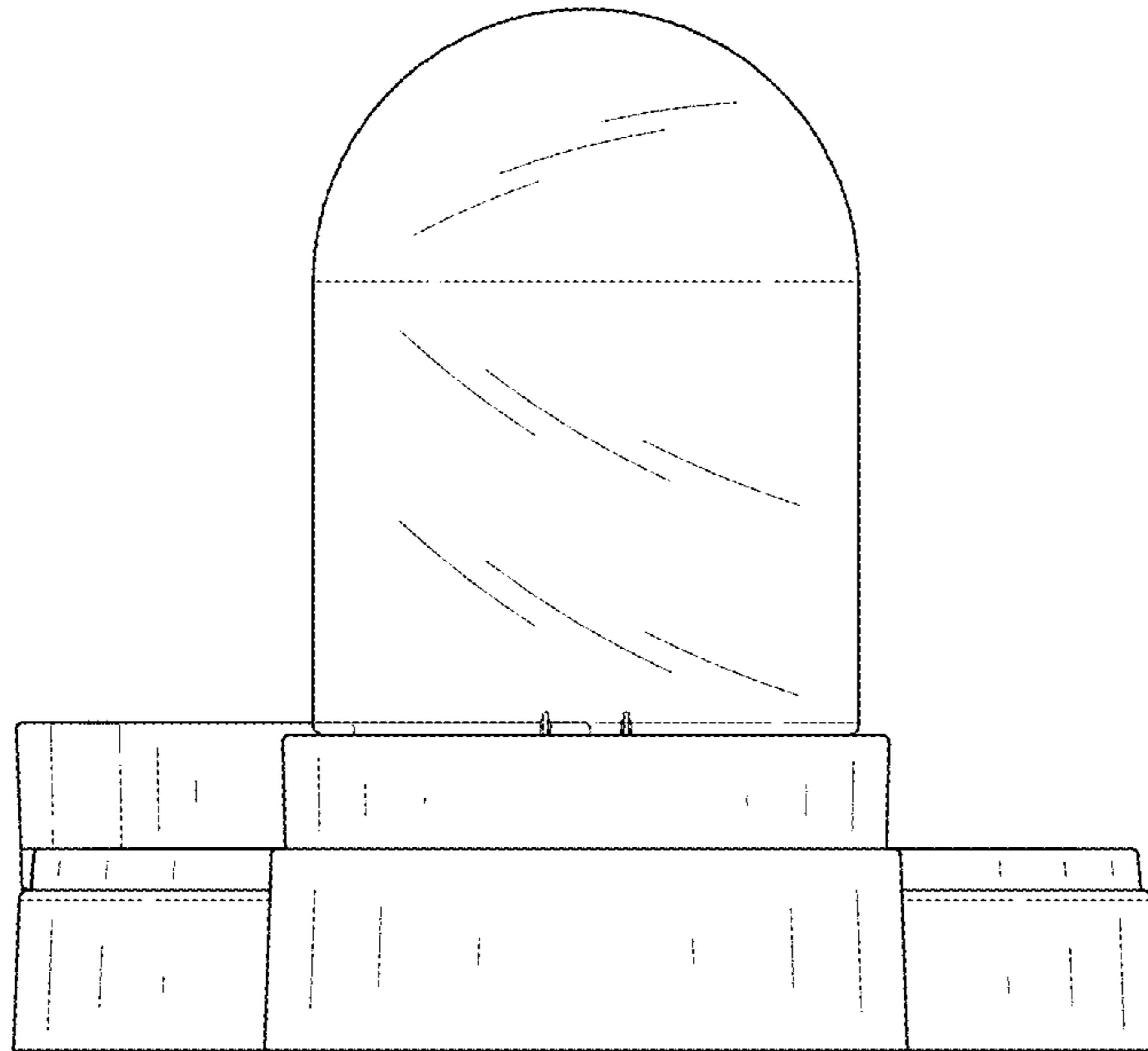


FIG. 4

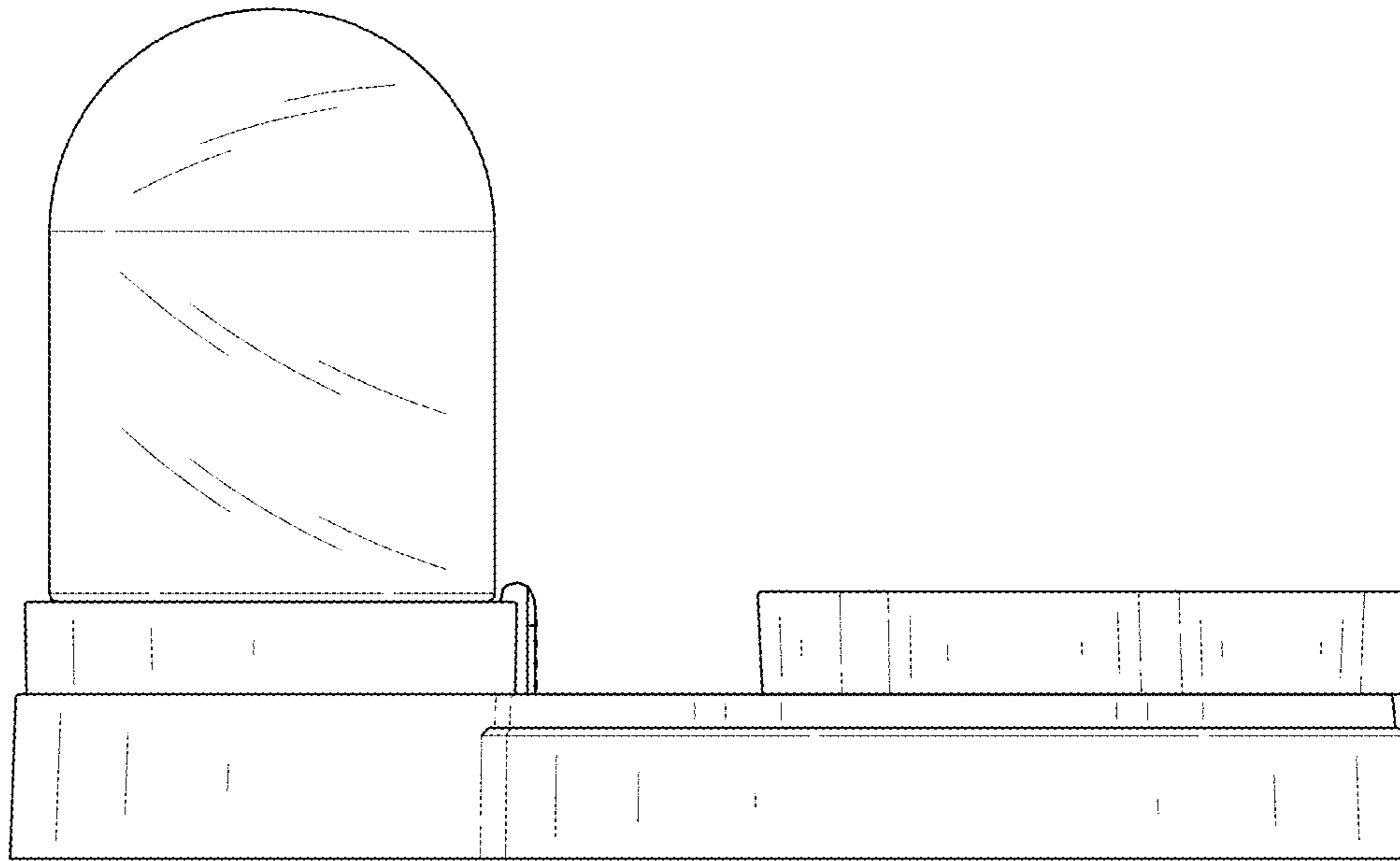


FIG. 5

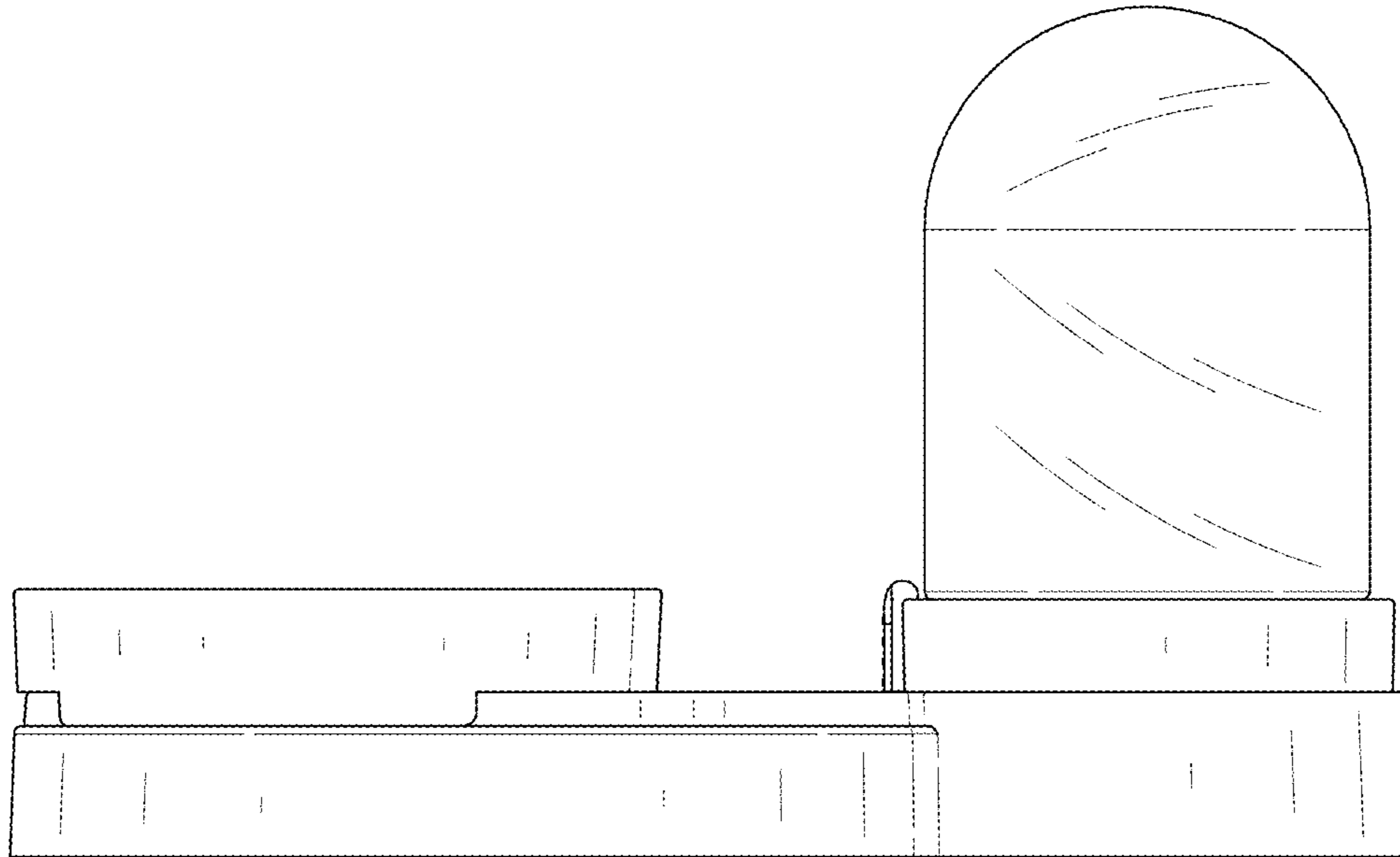


FIG. 6

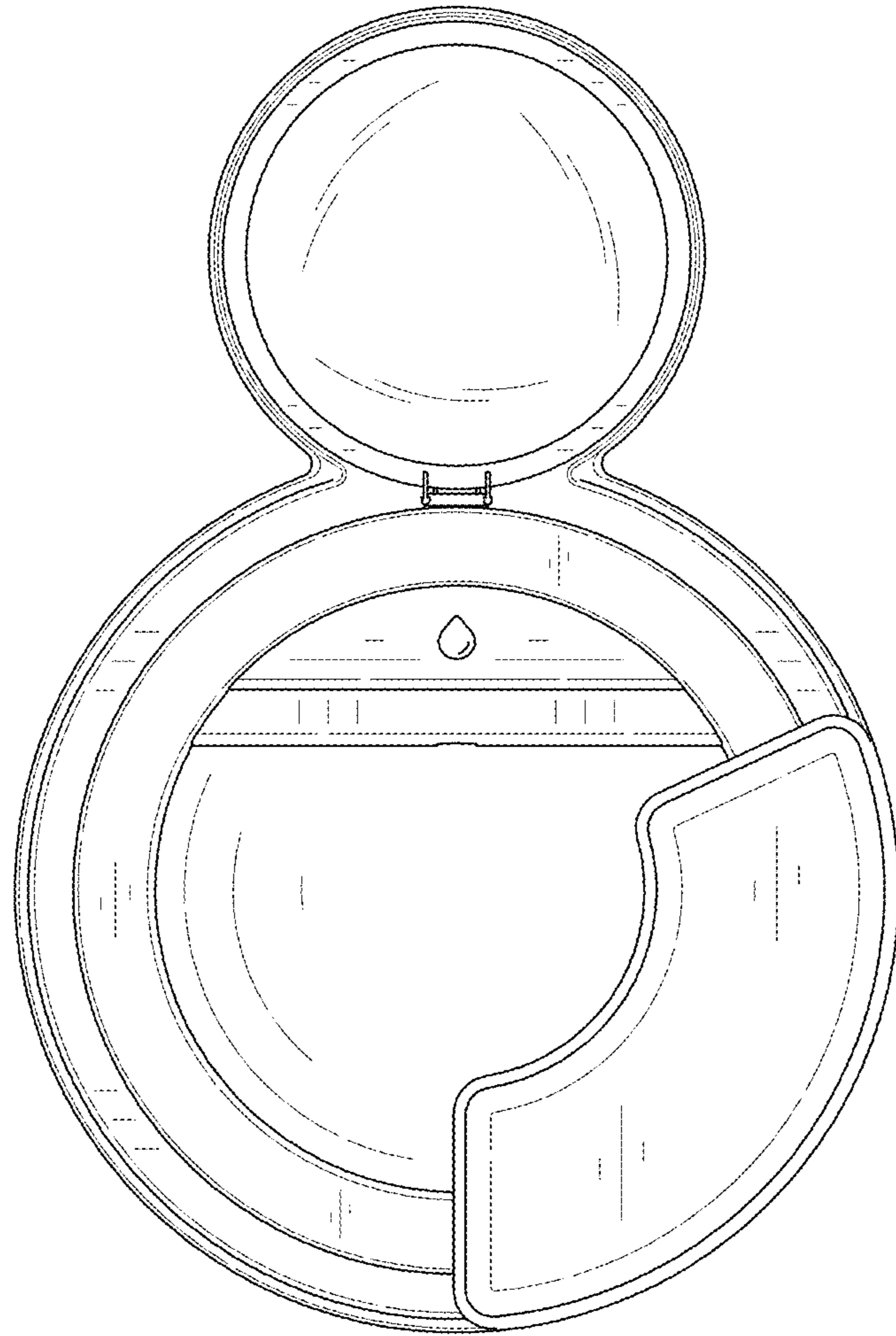


FIG. 7

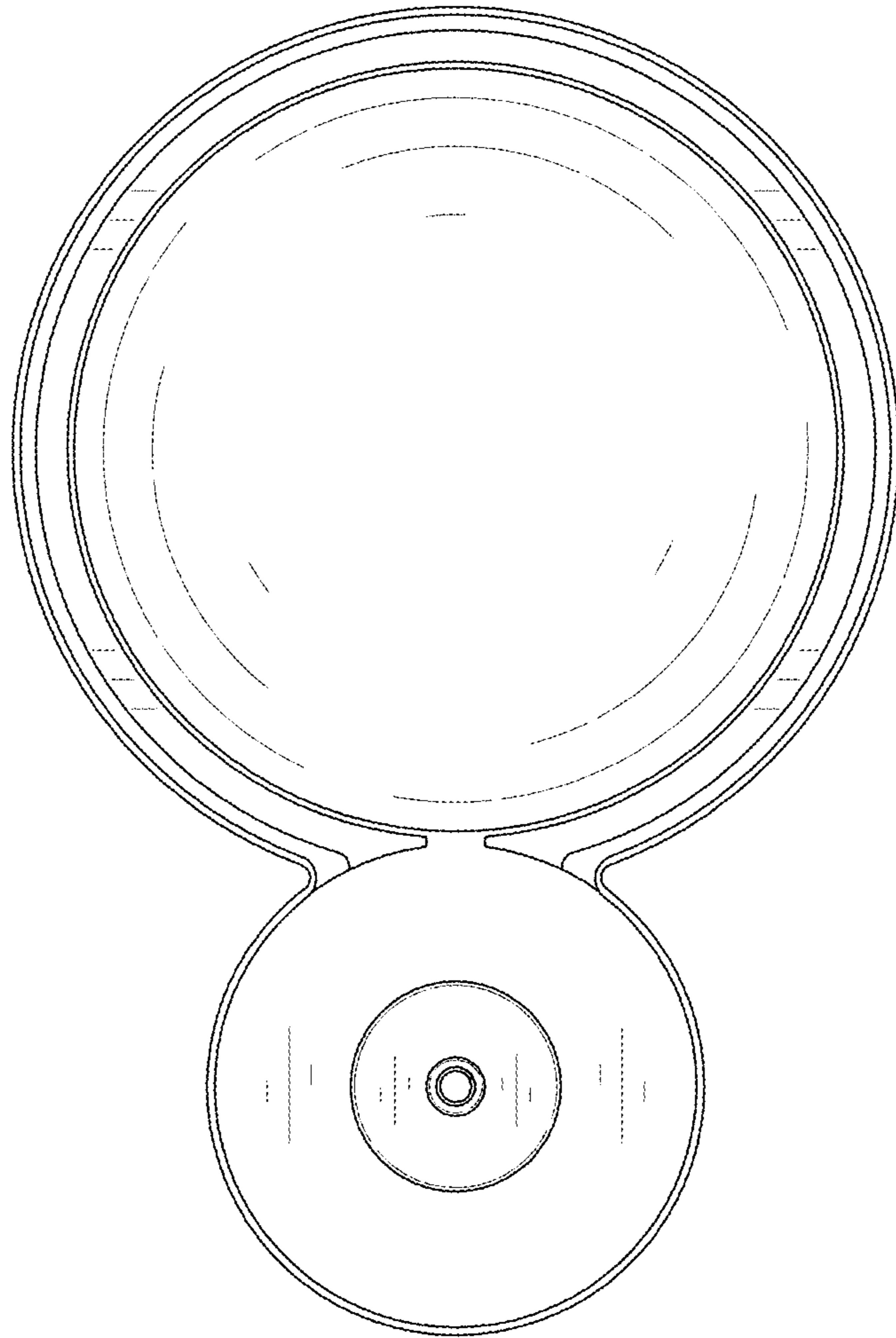


FIG. 8