



US00D950163S

(12) **United States Design Patent** (10) **Patent No.:** **US D950,163 S**  
**Cantwell et al.** (45) **Date of Patent:** **\*\* \*Apr. 26, 2022**

- (54) **CLIP FOR A DOOR ASSEMBLY OF AN ANIMAL ENCLOSURE**
- (71) Applicant: **Mid-West Metal Products Company, Inc.**, Muncie, IN (US)
- (72) Inventors: **Brad Cantwell**, Muncie, IN (US); **Stew Kerr**, Muncie, IN (US); **Michael E. Greene**, Muncie, IN (US); **David J. Nolley**, Muncie, IN (US)
- (73) Assignee: **MID-WEST METAL PRODUCTS COMPANY, INC.**, Muncie, IN (US)
- (\*) Notice: This patent is subject to a terminal disclaimer.
- (\*\*) Term: **15 Years**
- (21) Appl. No.: **29/716,628**
- (22) Filed: **Dec. 11, 2019**

**Related U.S. Application Data**

- (63) Continuation-in-part of application No. 29/628,070, filed on Dec. 1, 2017, now Pat. No. Des. 917,791.
- (51) **LOC (13) Cl.** ..... **30-02**
- (52) **U.S. Cl.**  
USPC ..... **D30/119; D8/331**
- (58) **Field of Classification Search**  
USPC ..... D8/306, 321, 330, 331, 333, 336, 339, D8/342, 343, 344, 349, 370, 382, 394, D8/395, 400, 499; D30/108–112, D30/114–117, 119  
CPC ..... A01K 31/02; A01K 31/06; A01K 31/08; A01K 31/10; A01K 1/0017; A01K 1/0245; A01K 1/03; A01K 1/034  
See application file for complete search history.

- (56) **References Cited**
- U.S. PATENT DOCUMENTS
- 4,570,574 A \* 2/1986 Burkholder ..... A01K 31/02  
119/481
- D306,739 S \* 3/1990 Mackiewich ..... D3/266
- 4,989,388 A \* 2/1991 Schmidgall ..... E04C 5/168  
52/649.8
- D315,860 S \* 4/1991 Joss ..... D8/367
- 6,427,631 B1 \* 8/2002 Ross ..... A01K 1/0245  
119/453
- 6,681,720 B1 \* 1/2004 Skurdalsvold ..... A01K 1/03  
119/474
- 7,918,188 B1 \* 4/2011 Harper ..... A01K 1/0245  
119/481
- 7,942,688 B2 \* 5/2011 Ferderer ..... H01R 13/62966  
439/372
- D655,986 S \* 3/2012 Schneider ..... D7/620
- D695,588 S \* 12/2013 Cantwell ..... D8/331
- (Continued)

**FOREIGN PATENT DOCUMENTS**

- CA 155783 \* 2/2015
- CN 302904228 \* 8/2014
- EM 002435230-0001 \* 5/2014

*Primary Examiner* — Leanne Was-Englehart  
(74) *Attorney, Agent, or Firm* — Taft Stettinius & Hollister LLP; Stephen F. Rost

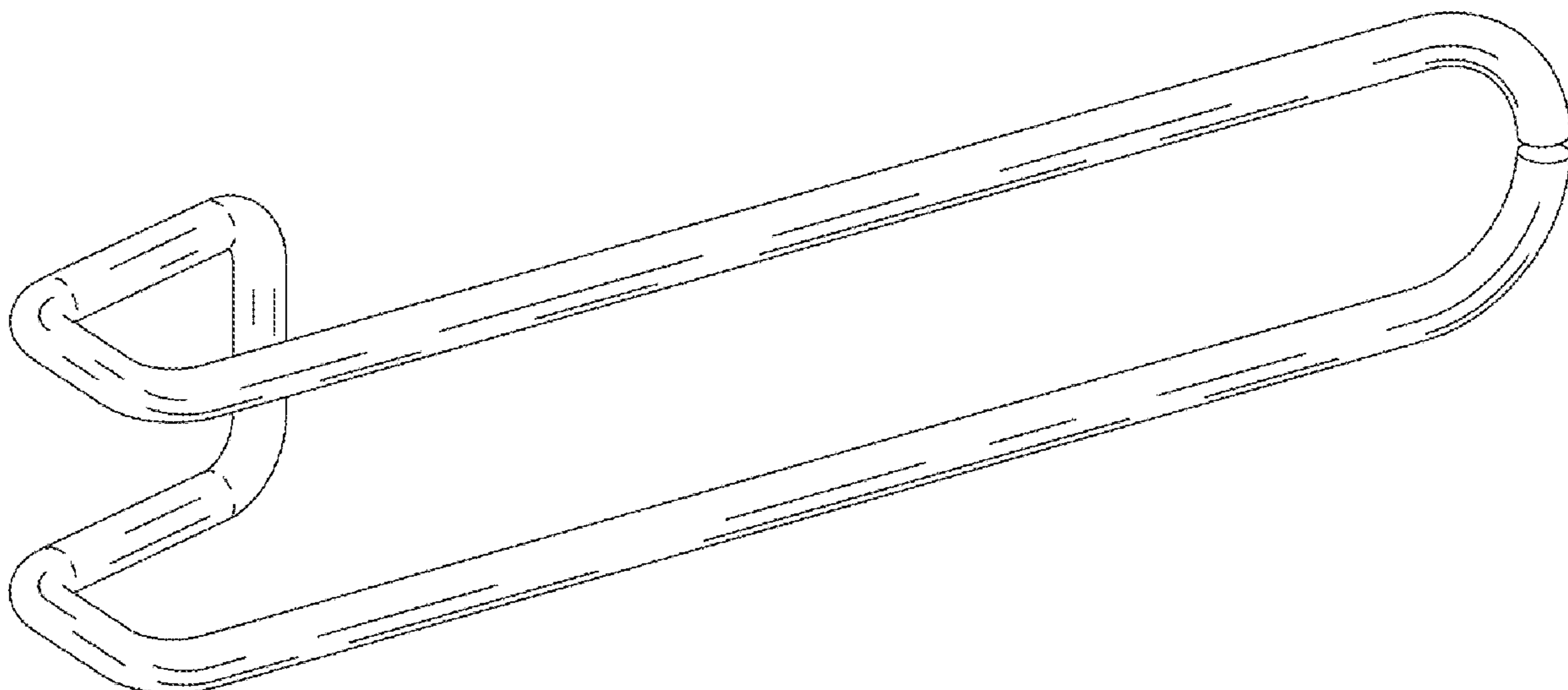
(57) **CLAIM**

The ornamental design for a clip for a door assembly of an animal enclosure, as shown and described.

**DESCRIPTION**

FIG. 1 is a perspective view of a clip according to the present design;  
FIG. 2 is a front view thereof;  
FIG. 3 is a left side view thereof;  
FIG. 4 is a right side view thereof;  
FIG. 5 is a top view thereof;  
FIG. 6 is a bottom view thereof; and,  
FIG. 7 is a rear view thereof.

**1 Claim, 2 Drawing Sheets**



(56)

References Cited

U.S. PATENT DOCUMENTS

D697,675 S \* 1/2014 Cheng-Lung ..... D30/114  
 D700,505 S \* 3/2014 Totten ..... D8/370  
 D704,527 S \* 5/2014 Liu ..... D8/331  
 D707,102 S \* 6/2014 Hale ..... D8/343  
 D710,680 S \* 8/2014 Chen ..... D8/370  
 D721,568 S \* 1/2015 Cantwell ..... D8/331  
 D727,713 S \* 4/2015 Greene ..... D8/331  
 D751,370 S \* 3/2016 McClees ..... D8/370  
 9,399,886 B2 \* 7/2016 Link ..... E05D 1/04  
 D770,692 S \* 11/2016 Cantwell ..... D30/119  
 D782,748 S \* 3/2017 Cantwell ..... D30/119  
 D784,630 S \* 4/2017 Cantwell ..... D30/119  
 D794,258 S \* 8/2017 Cantwell ..... D30/119  
 10,047,555 B2 \* 8/2018 Link ..... E05D 15/56  
 D839,492 S \* 1/2019 Cantwell ..... D30/119  
 D839,493 S \* 1/2019 Cantwell ..... D30/119  
 D849,334 S \* 5/2019 Lamerton ..... D30/114  
 D858,899 S \* 9/2019 Miiller ..... D30/114  
 10,420,319 B2 \* 9/2019 Cantwell ..... A01K 31/08

D864,492 S \* 10/2019 Miiller ..... D30/114  
 D866,874 S \* 11/2019 Cantwell ..... D30/119  
 D867,676 S \* 11/2019 Cantwell ..... D30/119  
 10,470,432 B2 \* 11/2019 Cantwell ..... A01K 1/0017  
 D877,606 S \* 3/2020 Strothmann ..... D8/395  
 10,609,893 B2 \* 4/2020 Veness ..... A01K 1/034  
 D885,876 S \* 6/2020 Strothmann ..... D8/395  
 D897,048 S \* 9/2020 Okayama ..... D30/116  
 D917,791 S \* 4/2021 Cantwell ..... D30/119  
 D920,591 S \* 5/2021 Jorgensen ..... D30/119  
 D925,319 S \* 7/2021 Wu ..... D8/71  
 2016/0024824 A1 \* 1/2016 Link ..... E05C 3/14  
 119/481  
 2017/0000080 A1 \* 1/2017 Bin ..... A01K 1/0245  
 2017/0055486 A1 \* 3/2017 Bin ..... A01K 1/0245  
 2017/0142927 A1 \* 5/2017 Cantwell ..... A01K 1/03  
 2017/0156286 A1 \* 6/2017 Cantwell ..... A01K 1/03  
 2017/0292298 A1 \* 10/2017 Cantwell ..... A01K 1/0245  
 2017/0295748 A1 \* 10/2017 He ..... A01K 1/034  
 2019/0063122 A1 \* 2/2019 McDaid ..... A01K 1/0064  
 2020/0288667 A1 \* 9/2020 Cantwell ..... A01K 1/033  
 2021/0144954 A1 \* 5/2021 Cantwell ..... A01K 1/035

\* cited by examiner

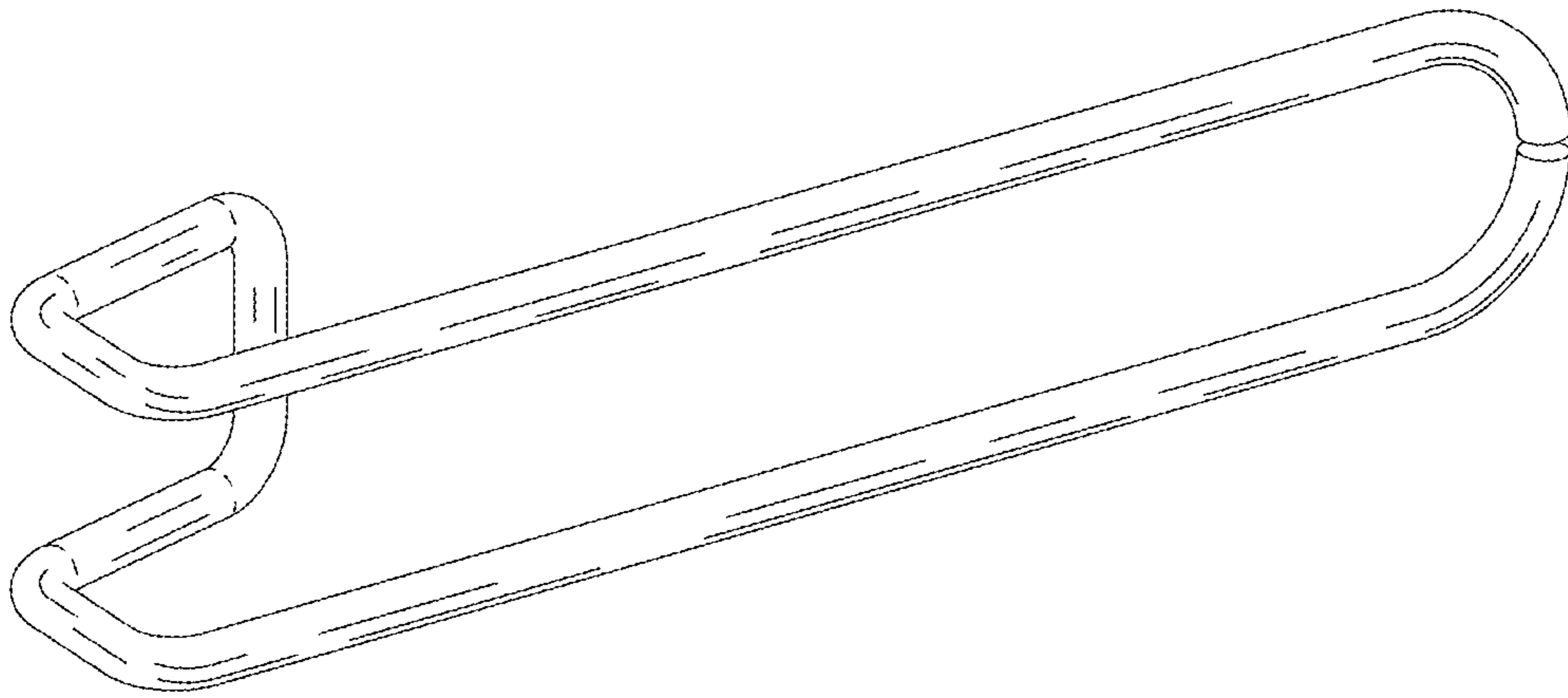


FIG. 1

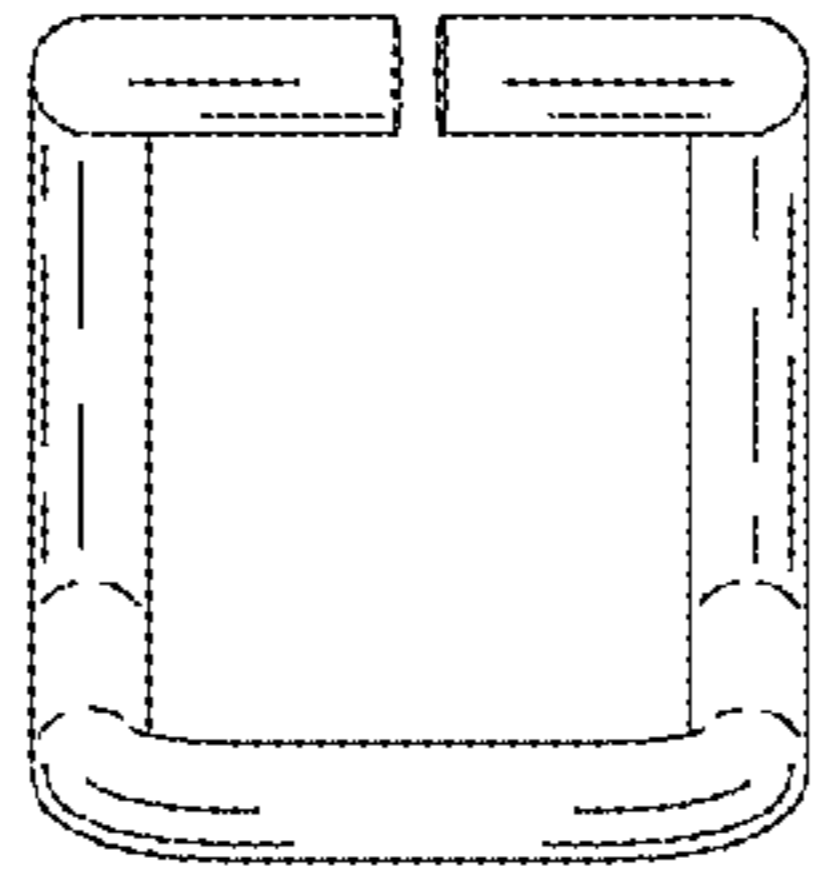


FIG. 5

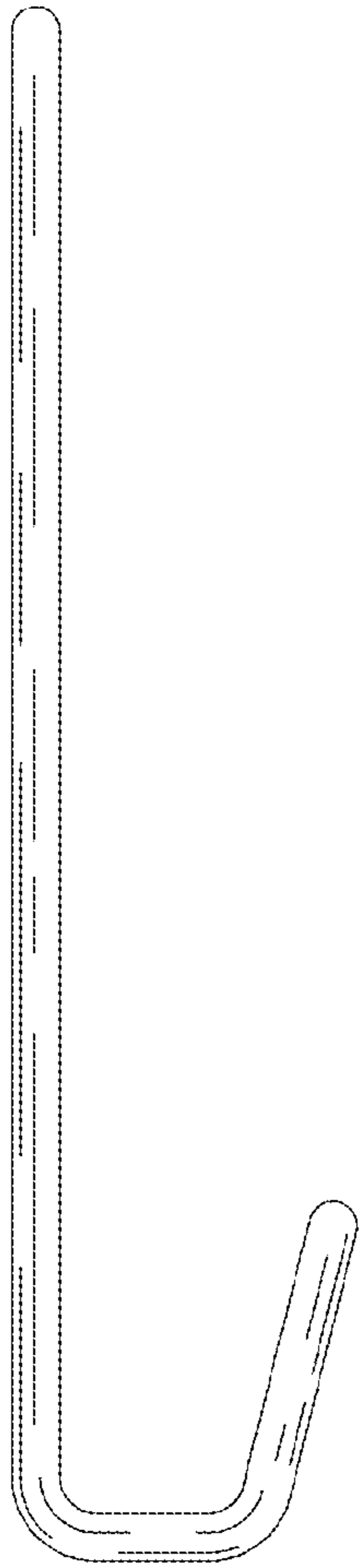


FIG. 3

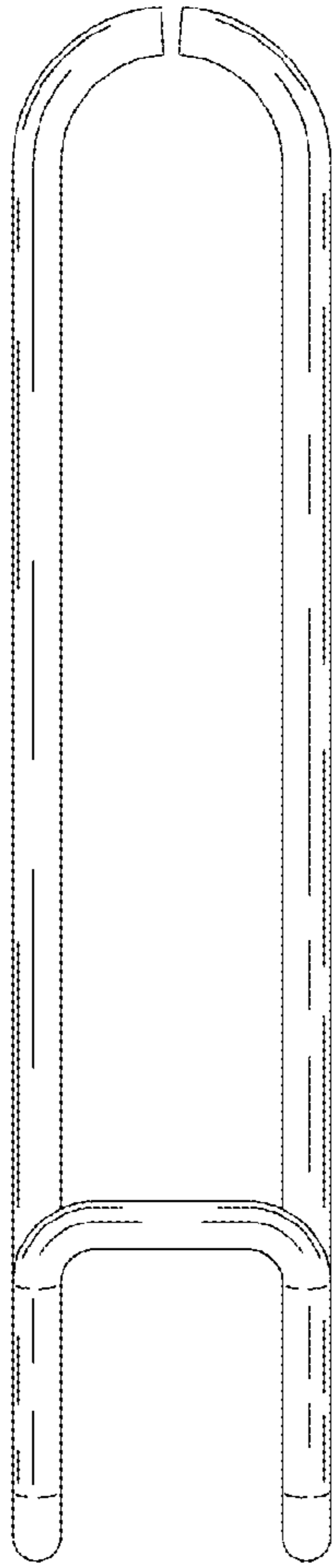


FIG. 2

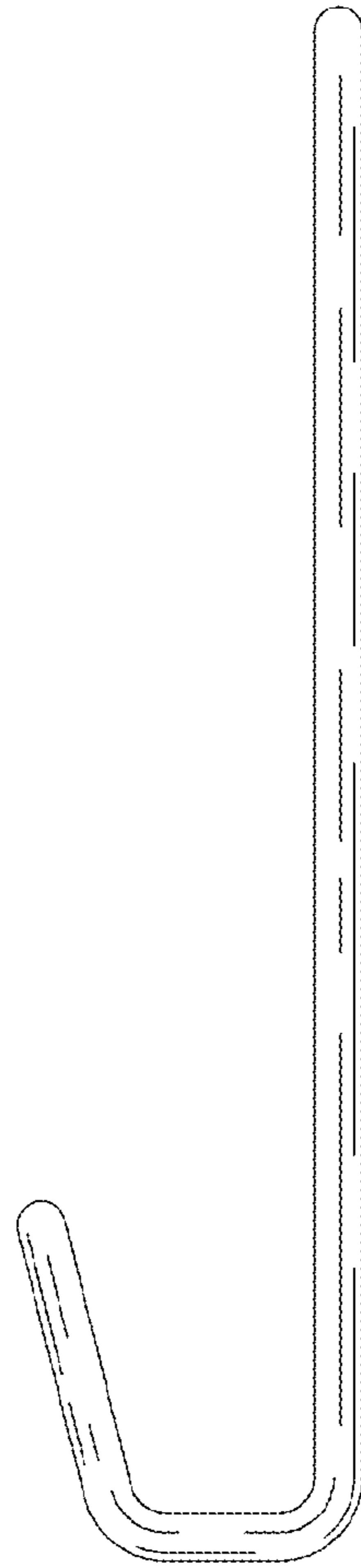


FIG. 4

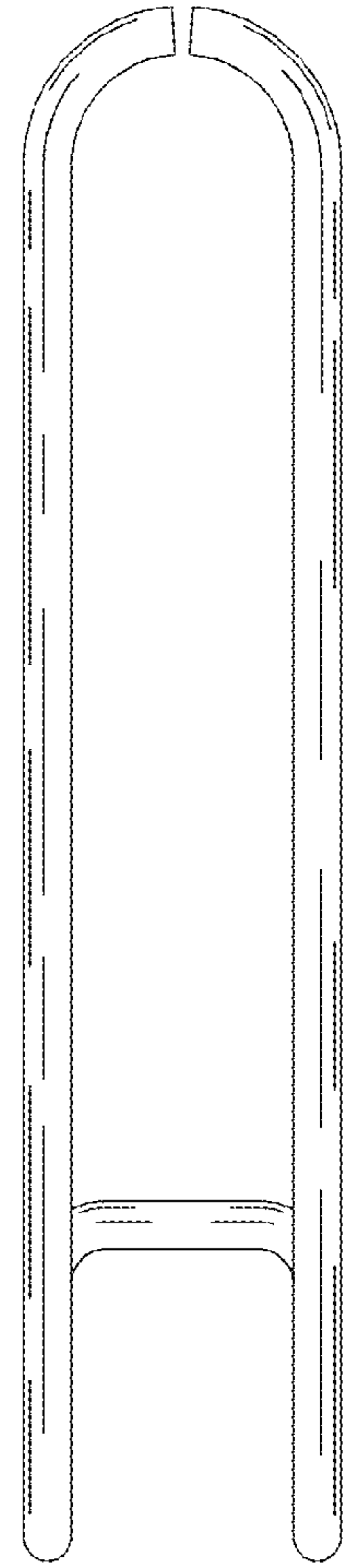


FIG. 7

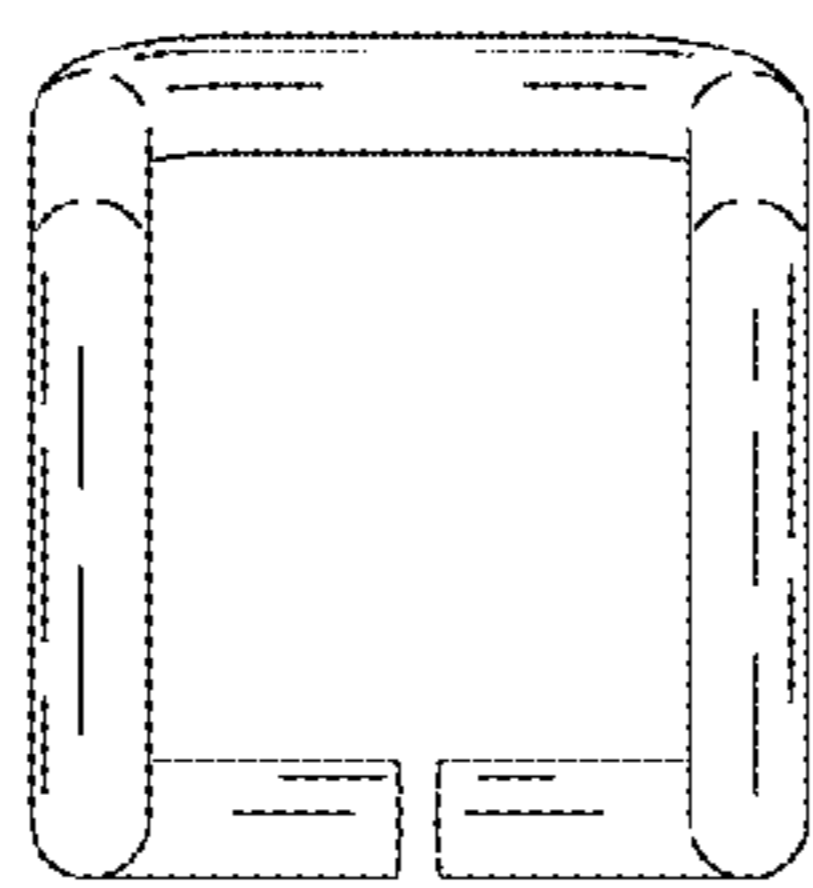


FIG. 6