



US00D950149S

(12) **United States Design Patent**  
**Chen et al.**

(10) **Patent No.:** **US D950,149 S**  
(45) **Date of Patent:** **\*\* Apr. 26, 2022**

- (54) **GLASS NOZZLE FOR ELECTRONIC ATOMIZING DEVICE**
- (71) Applicant: **Shenzhen VerdeWell Technology Limited**, Shenzhen (CN)
- (72) Inventors: **Shouhao Chen**, Shenzhen (CN); **Yujie Liang**, Shenzhen (CN); **Shaowen Li**, Shenzhen (CN)
- (73) Assignee: **SHENZHEN VERDEWELL TECHNOLOGY LIMITED**, Shenzhen (CN)

- D351,253 S \* 10/1994 Baig ..... D27/162
- D358,227 S \* 5/1995 Heine ..... D27/162
- 9,179,710 B2 \* 11/2015 Chaoui ..... A24F 1/30
- 9,848,639 B1 \* 12/2017 Soares ..... A24F 1/30
- D843,647 S \* 3/2019 Camitta ..... D27/162
- D854,740 S \* 7/2019 Opp ..... D27/162
- 10,477,889 B2 \* 11/2019 Goldstein ..... A24F 1/32
- D874,717 S \* 2/2020 Nhep ..... D27/162
- 10,869,498 B2 \* 12/2020 Risolia ..... A24F 1/02
- D914,961 S \* 3/2021 Li ..... D27/162
- D916,364 S \* 4/2021 Li ..... D27/162
- D925,820 S \* 7/2021 Gibson ..... D27/162
- D935,686 S \* 11/2021 Liang ..... D27/162

(\*\*) Term: **15 Years**

\* cited by examiner

*Primary Examiner* — Marissa J Cash  
*Assistant Examiner* — Rebecca Tsehaye

(21) Appl. No.: **29/764,443**

(22) Filed: **Dec. 30, 2020**

(57) **CLAIM**

The ornamental design for a glass nozzle for an electronic atomizing device, as shown and described.

(30) **Foreign Application Priority Data**

Jul. 7, 2020 (CN) ..... 202030362942.0

**DESCRIPTION**

(51) **LOC (13) Cl.** ..... **27-02**

(52) **U.S. Cl.**  
USPC ..... **D27/162**

(58) **Field of Classification Search**  
USPC ..... D27/162, 100, 101, 163–170, 180, 183, D27/194; D23/360, 366  
CPC ..... A24F 47/008; A24F 47/002; A24F 1/30; A24F 1/02; A24F 1/00; A61M 11/00  
See application file for complete search history.

The patent or application file contains at least one drawing executed in color. Copies of this patent or patent application publication with color drawing(s) will be provided by the Office upon request and payment of the necessary fee.  
FIG. 1 is a perspective view of a glass nozzle for an electronic atomizing device of our design;  
FIG. 2 is another perspective view thereof;  
FIG. 3 is a front elevational view thereof;  
FIG. 4 is a rear elevational view thereof;  
FIG. 5 is a left side elevational view thereof;  
FIG. 6 is a right side elevational view thereof;  
FIG. 7 is a top plan view thereof; and,  
FIG. 8 is a bottom plan view thereof.

(56) **References Cited**

**U.S. PATENT DOCUMENTS**

- D230,099 S \* 1/1974 Orr ..... D27/162
- 4,215,707 A \* 8/1980 Elrich ..... A24F 1/30
- 131/173

**1 Claim, 8 Drawing Sheets**  
**(8 of 8 Drawing Sheet(s) Filed in Color)**

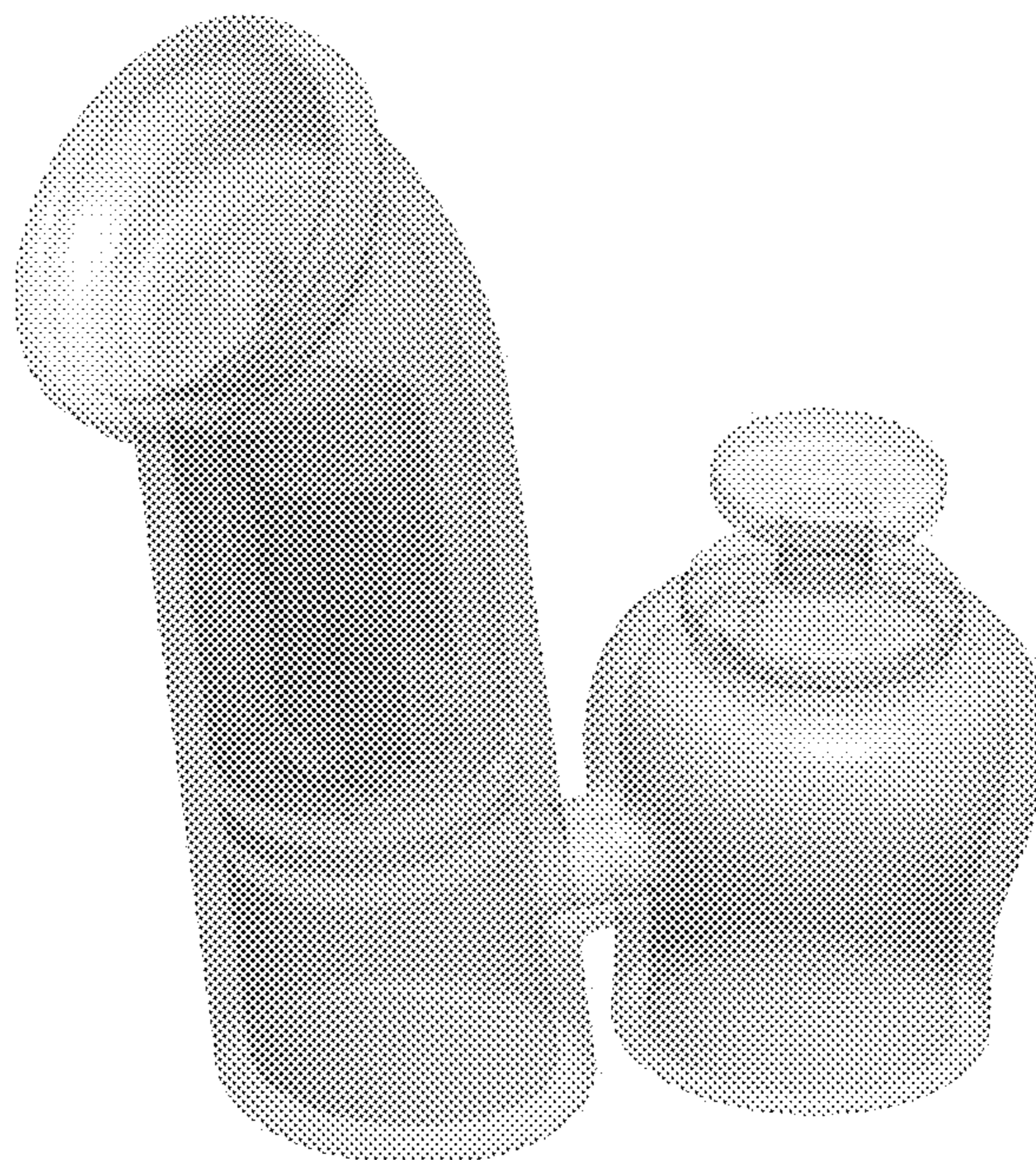






FIG. 1



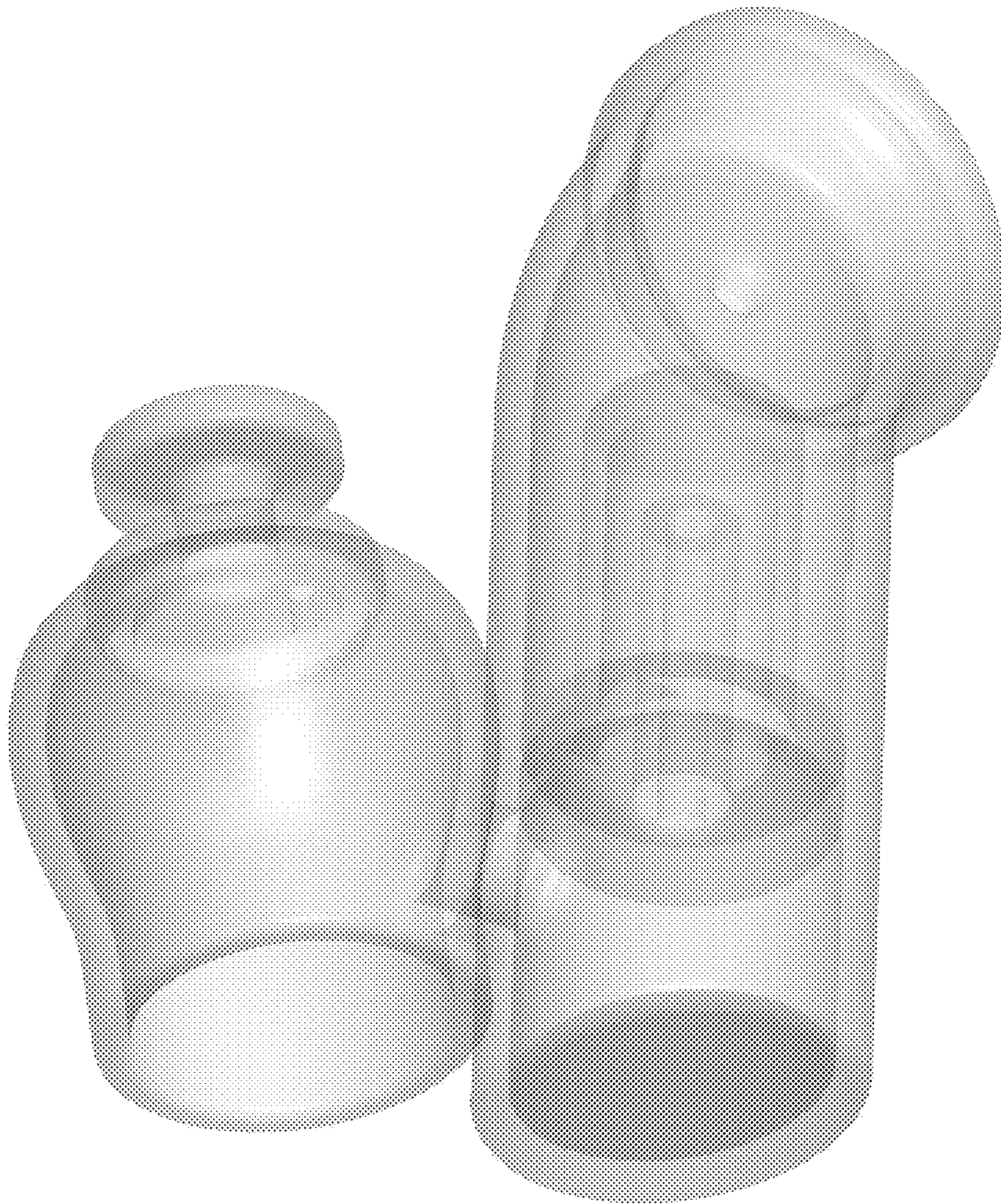


FIG. 2





FIG. 3

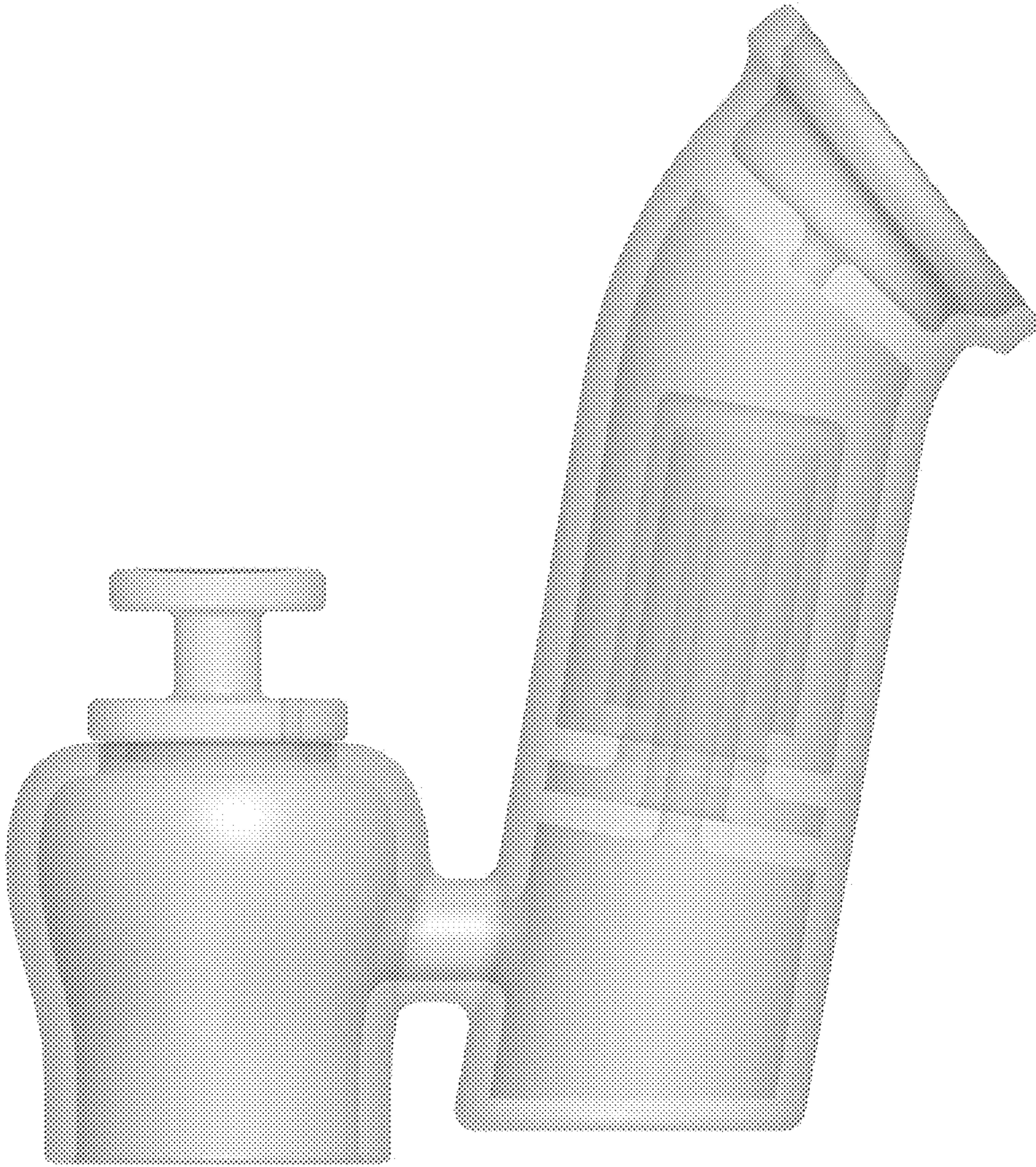


FIG. 4



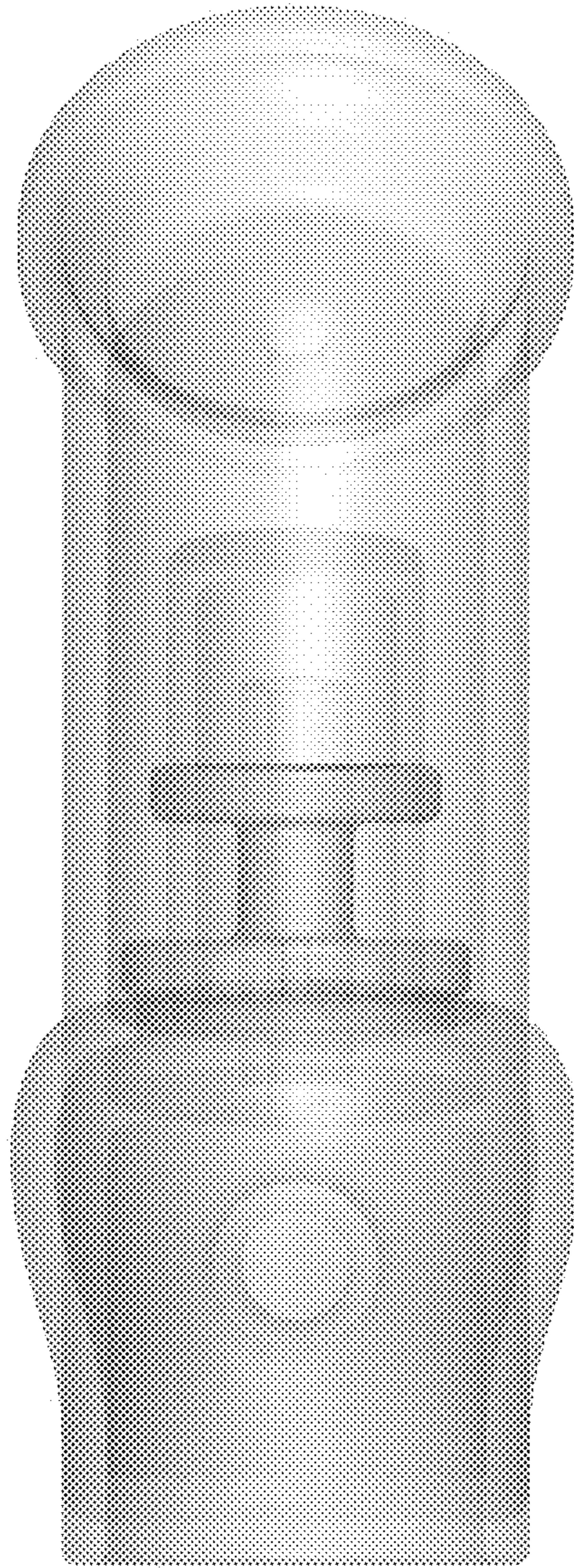


FIG. 5

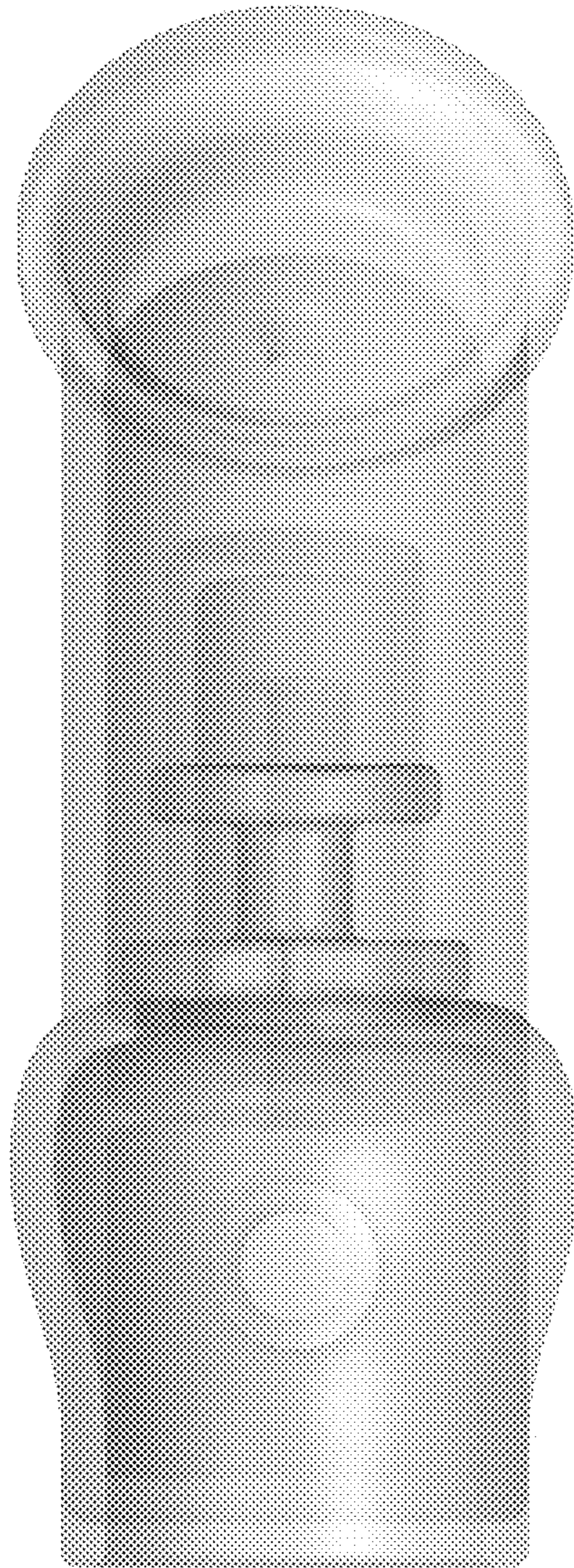


FIG. 6



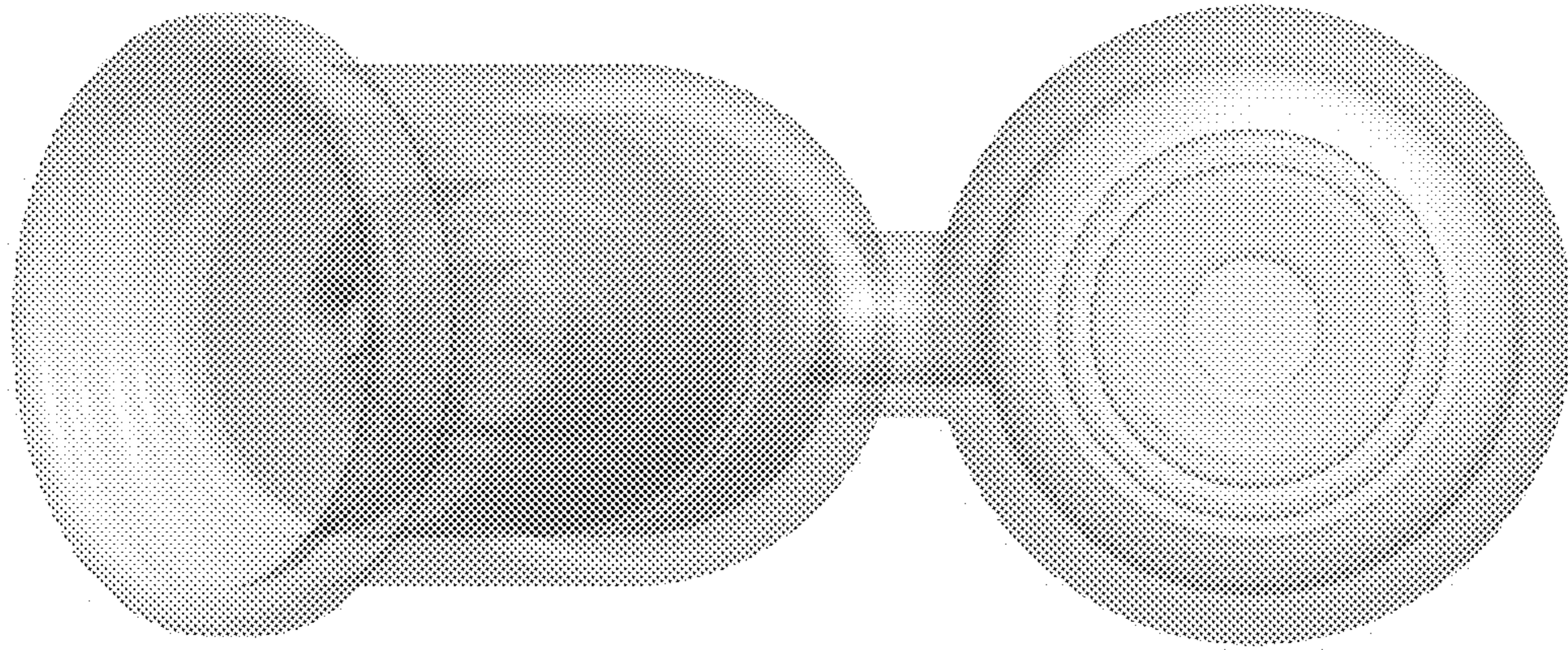


FIG. 7



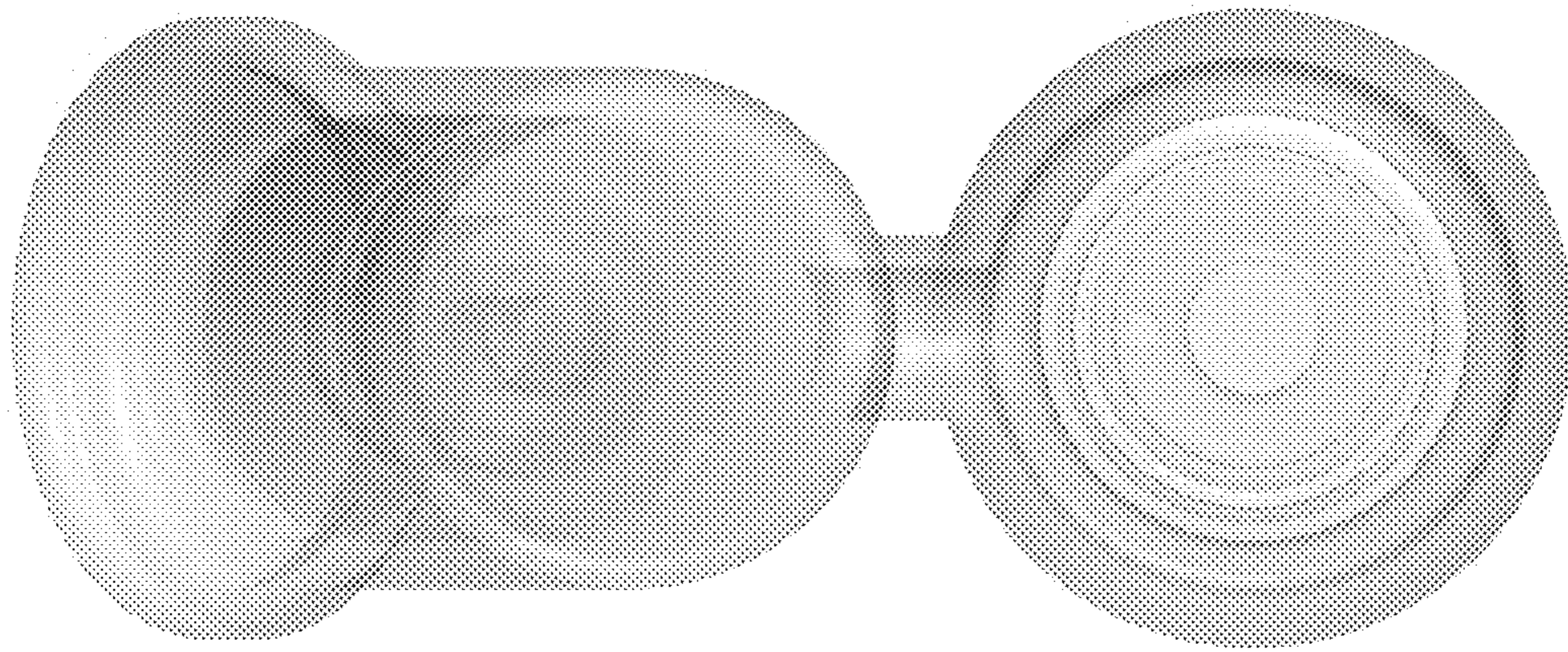


FIG. 8