



US00D950147S

(12) **United States Design Patent**  
**Yu**

(10) **Patent No.:** **US D950,147 S**  
(45) **Date of Patent:** **\*\* Apr. 26, 2022**

(54) **ELECTRONIC ATOMIZING DEVICE**  
(71) Applicant: **Shenzhen Smoore Technology Limited**, Shenzhen (CN)  
(72) Inventor: **Xuefeng Yu**, Shenzhen (CN)  
(73) Assignee: **SHENZHEN SMOORE TECHNOLOGY LIMITED**, Shenzhen (CN)

D835,840 S \* 12/2018 Liu ..... D27/162  
D854,236 S \* 7/2019 Qiu ..... D27/101  
D855,249 S \* 7/2019 Qiu ..... D27/162  
D855,250 S \* 7/2019 Qiu ..... D27/162  
D871,666 S \* 12/2019 Qiu ..... D27/163  
D890,416 S \* 7/2020 Ouyang ..... D27/162  
D914,278 S \* 3/2021 Luo ..... D27/162  
D917,779 S \* 4/2021 Yu ..... D27/162  
D924,477 S \* 7/2021 Liu ..... D27/162  
D927,771 S \* 8/2021 Wang ..... D27/101  
D932,093 S \* 9/2021 Shi ..... D27/162

\* cited by examiner

(\*\*) Term: **15 Years**  
(21) Appl. No.: **29/761,402**  
(22) Filed: **Dec. 9, 2020**

*Primary Examiner* — Rebecca Tsehaye

(30) **Foreign Application Priority Data**

Jun. 12, 2020 (CN) ..... 202030299269.0

(51) **LOC (13) Cl.** ..... **27-02**

(52) **U.S. Cl.**  
USPC ..... **D27/162**

(58) **Field of Classification Search**  
USPC ..... D27/162, 100, 101, 106, 108, 161, 163,  
D27/165–172, 174, 175, 183, 185–194;  
D9/516, 522, 523, 572  
CPC .... A24F 47/002; A24F 47/004; A24F 47/006;  
A24F 47/008; A61M 15/06  
See application file for complete search history.

(57) **CLAIM**

The ornamental design for an electronic atomizing device, as shown and described.

**DESCRIPTION**

FIG. 1 is a perspective view of electronic atomizing device showing my design;  
FIG. 2 is another perspective view thereof;  
FIG. 3 is a front elevational view thereof;  
FIG. 4 is a rear side elevational view thereof;  
FIG. 5 is a left side elevational view thereof;  
FIG. 6 is a right side elevational view thereof;  
FIG. 7 is an enlarged top plan view thereof;  
FIG. 8 is an enlarged bottom plan view thereof;  
FIG. 9 is an enlarged view of area 9 circumscribed in FIG. 1; and,  
FIG. 10 is an enlarged view of area 10 circumscribed in FIG. 2.

The broken lines consisting of evenly space dash lines in the drawing depict parts of the device that form no part of the claimed design.

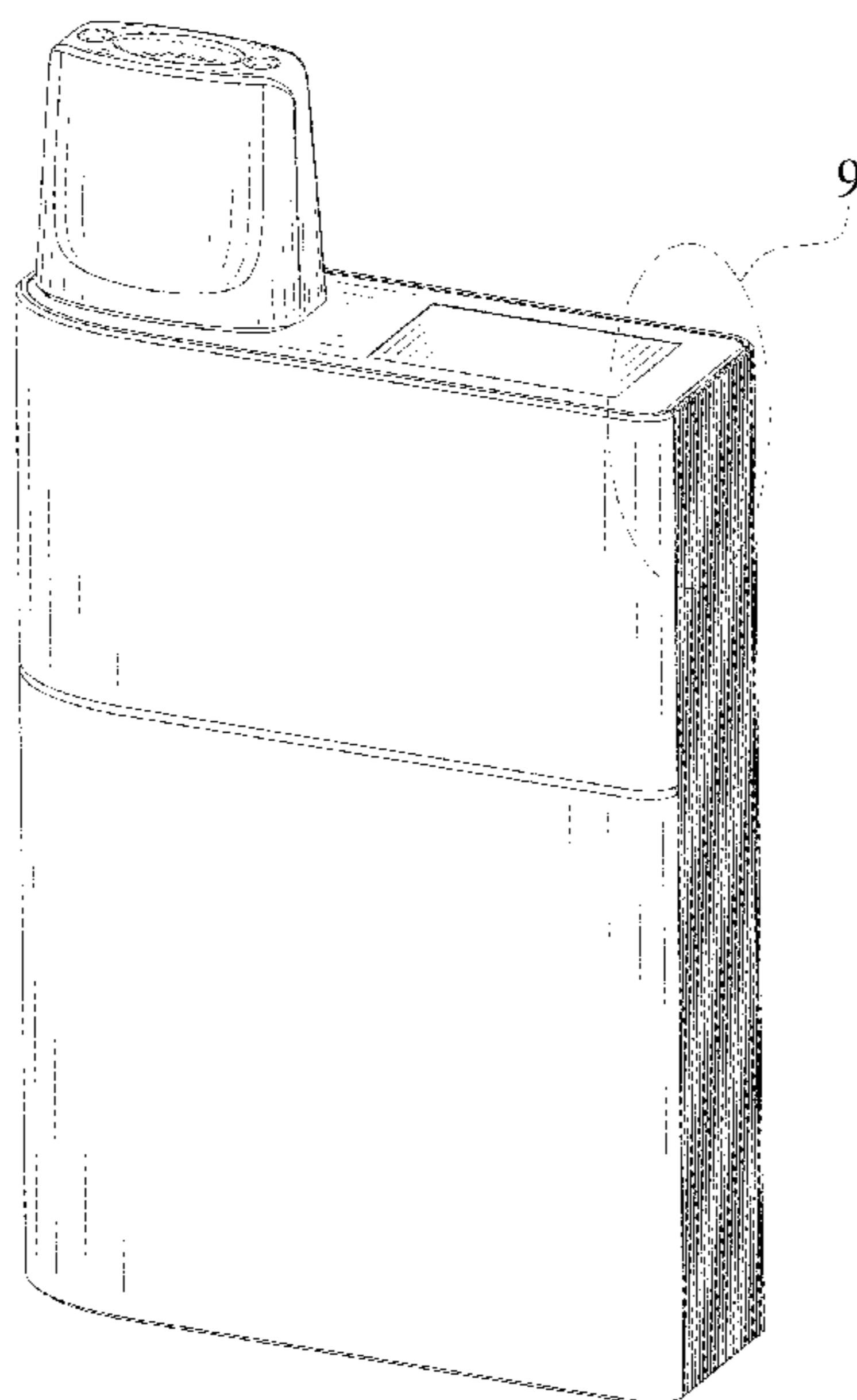
The long dash-short dash broken lines in the drawings depict the boundaries of the enlarged views and form no part of the claimed design.

(56) **References Cited**

**U.S. PATENT DOCUMENTS**

D771,867 S \* 11/2016 Leidel ..... D27/163  
D799,746 S \* 10/2017 Leidel ..... D27/163  
D800,377 S \* 10/2017 Liu ..... D27/101  
D809,191 S \* 1/2018 Li ..... D27/101  
D819,882 S \* 6/2018 Qiu ..... D27/101  
D828,621 S \* 9/2018 Qiu ..... D27/162  
D831,270 S \* 10/2018 Qiu ..... D27/162

**1 Claim, 10 Drawing Sheets**



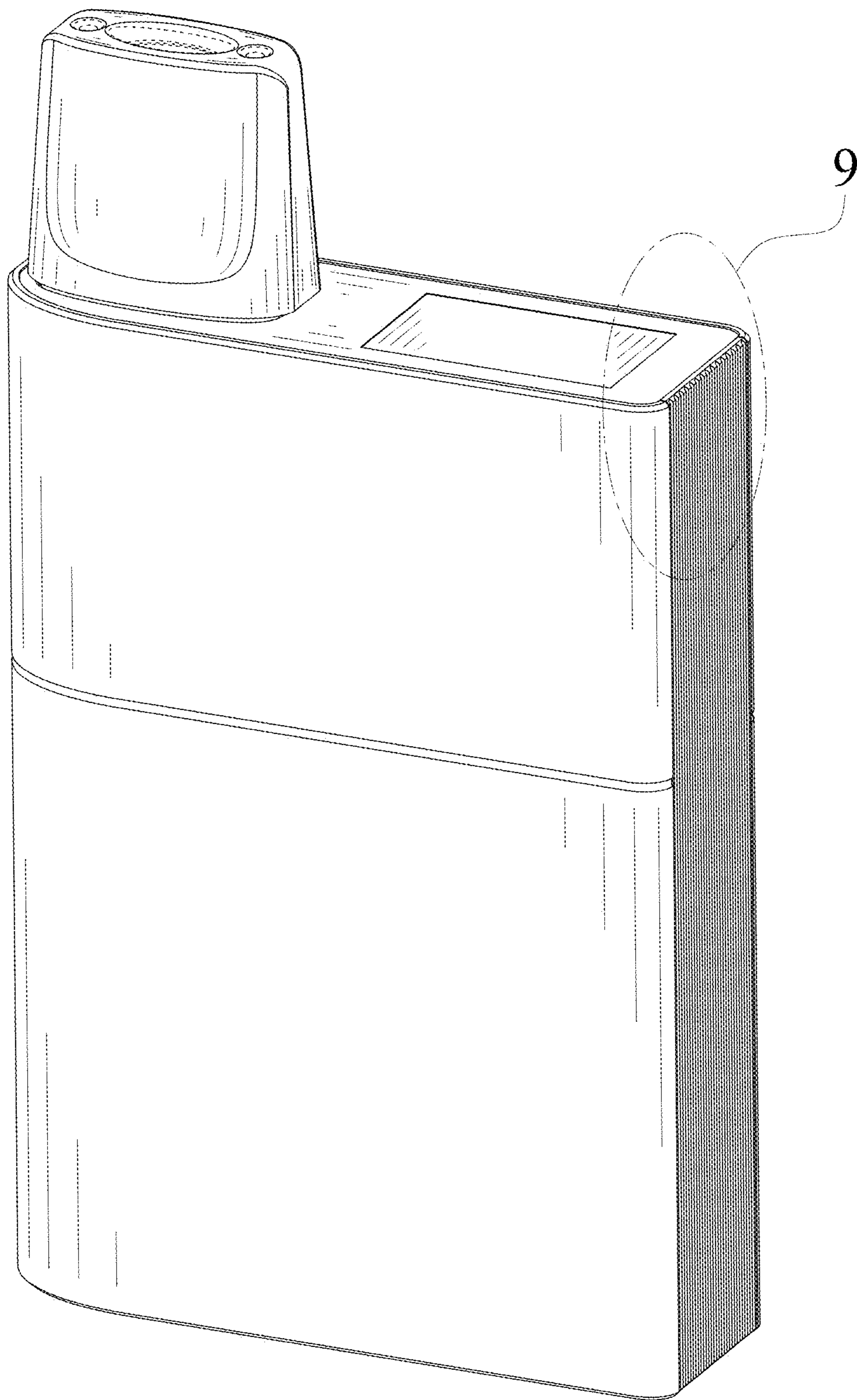


FIG. 1

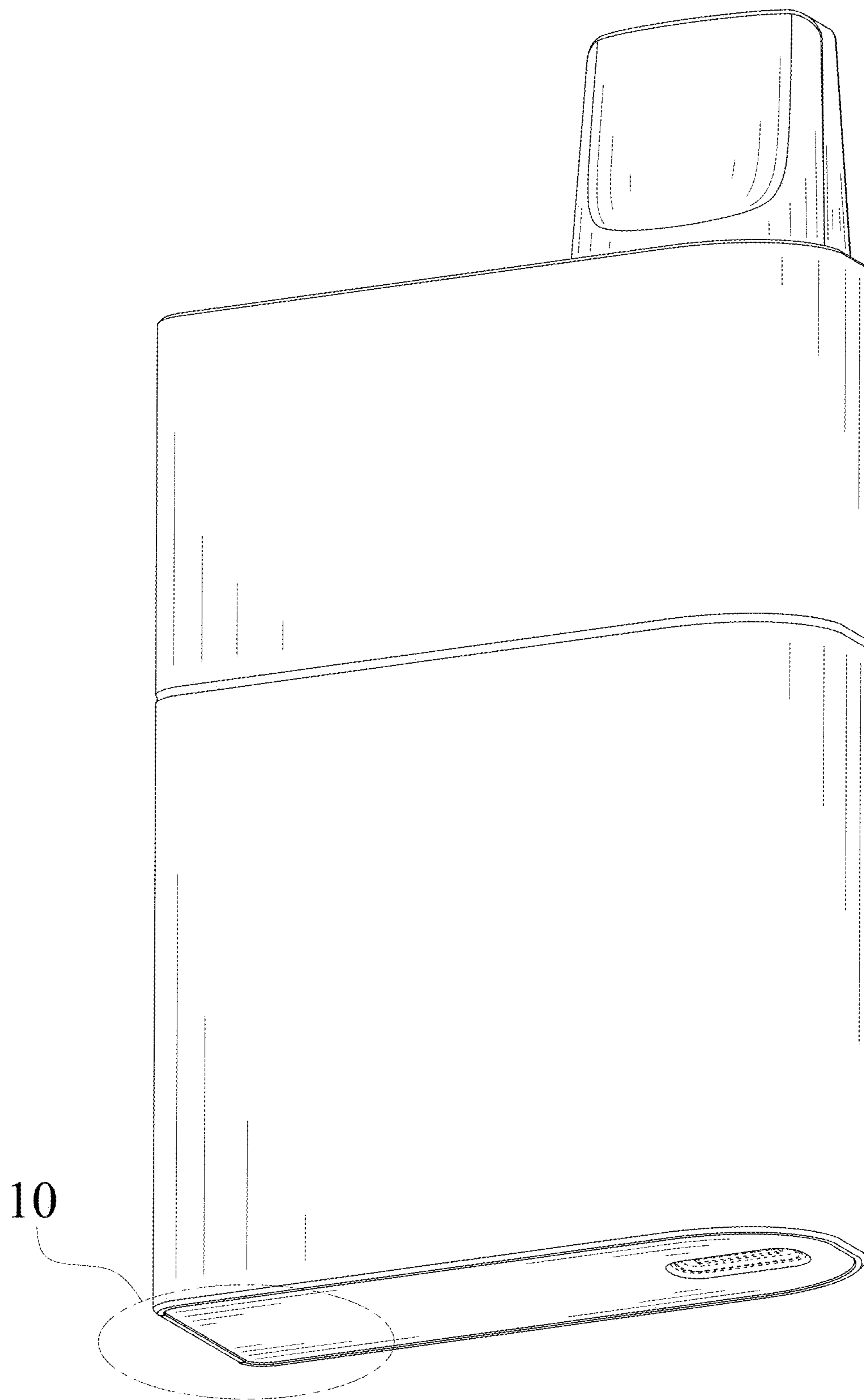


FIG. 2

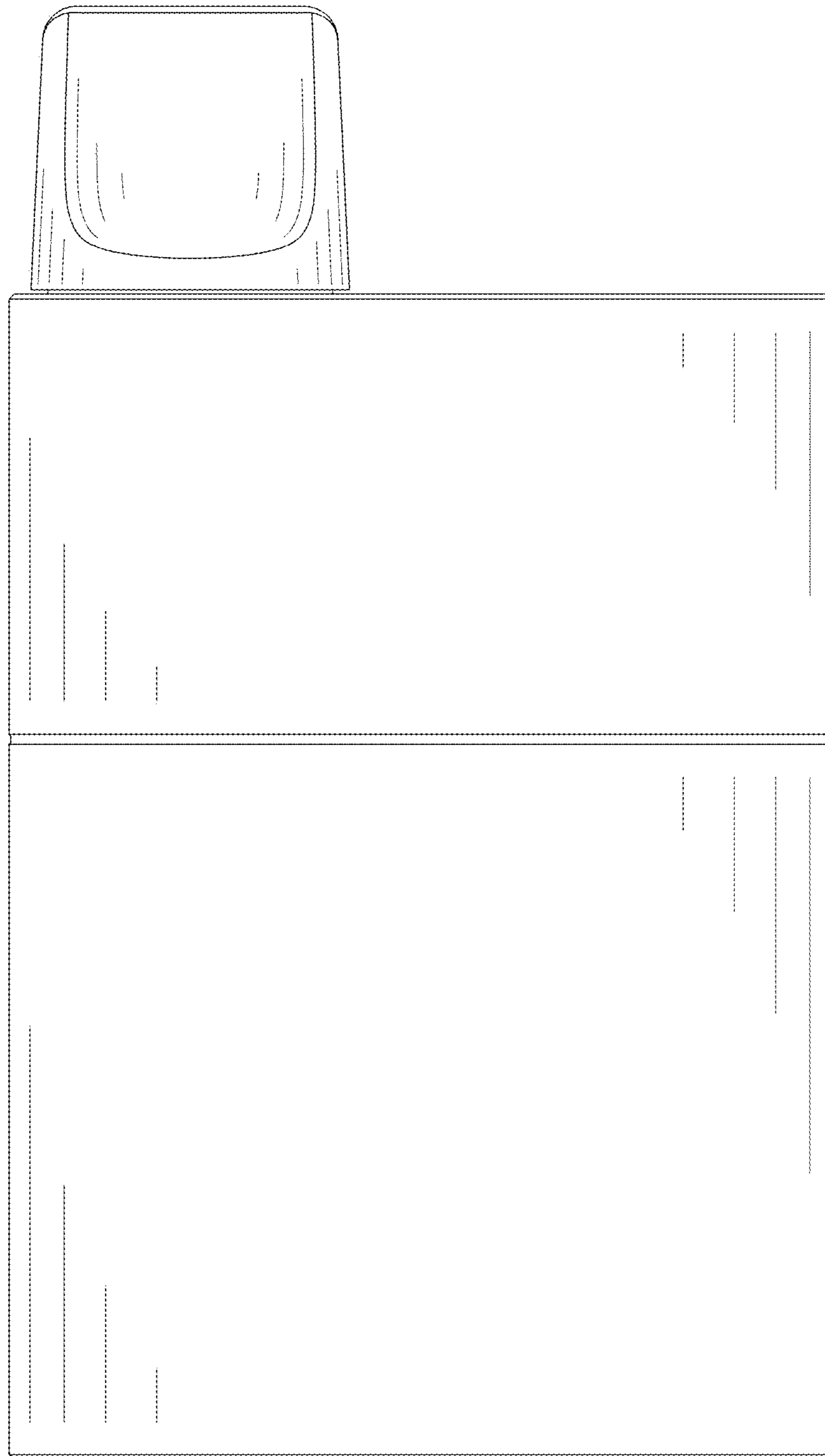


FIG. 3

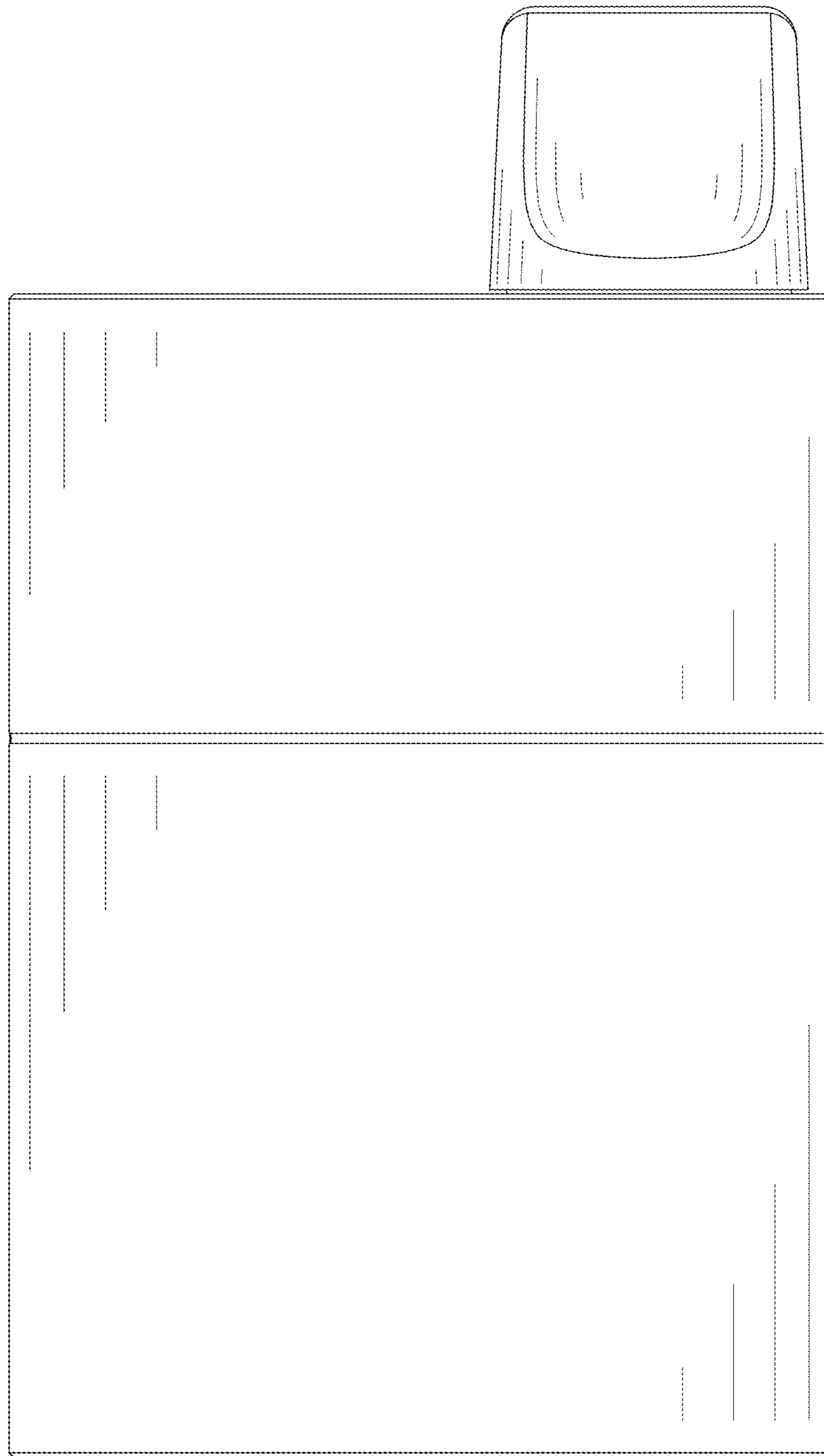


FIG. 4

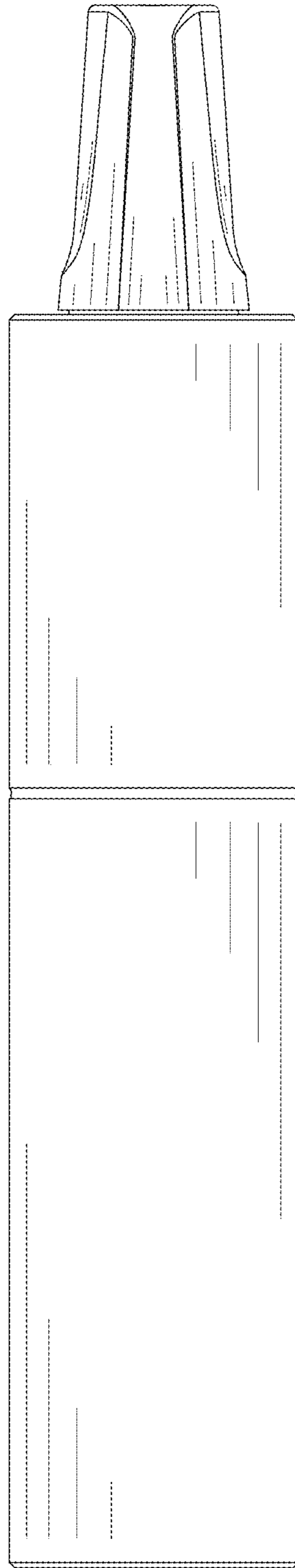


FIG. 5

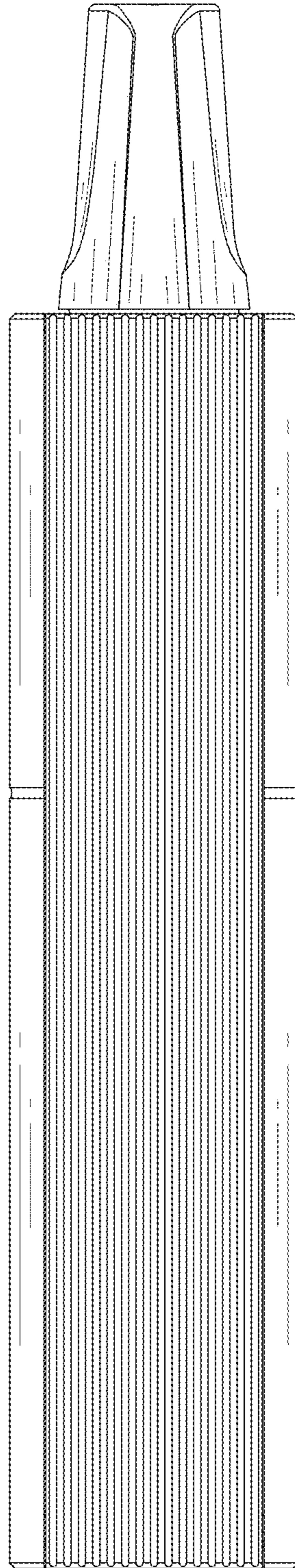


FIG. 6

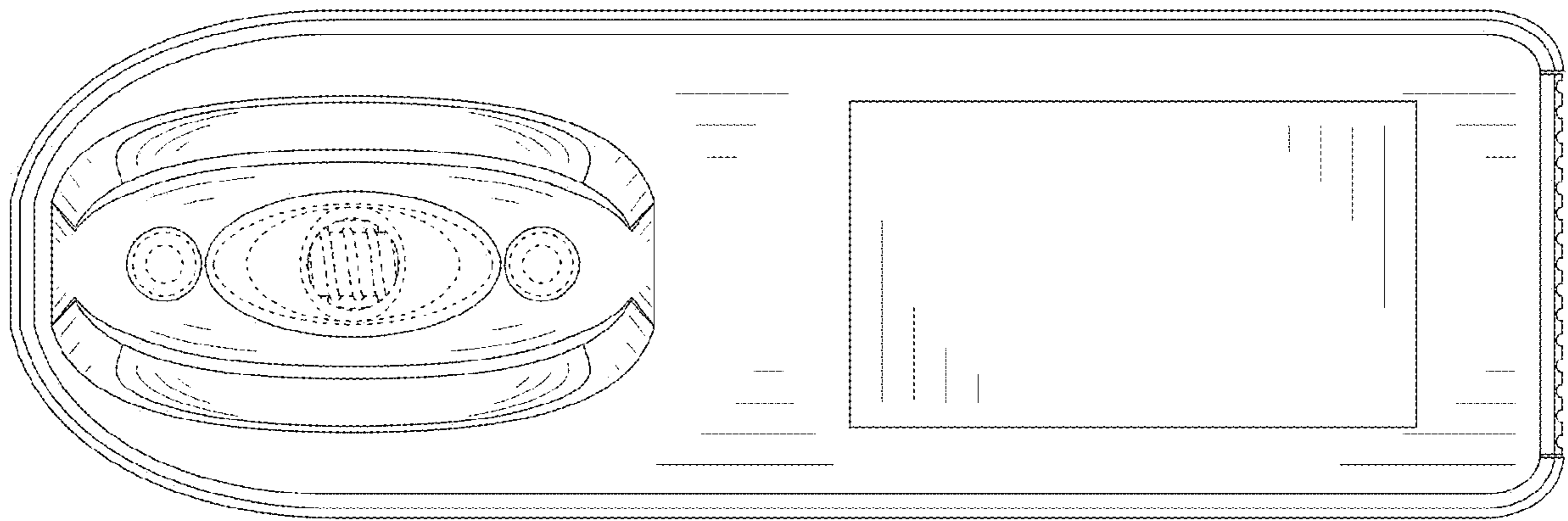


FIG. 7



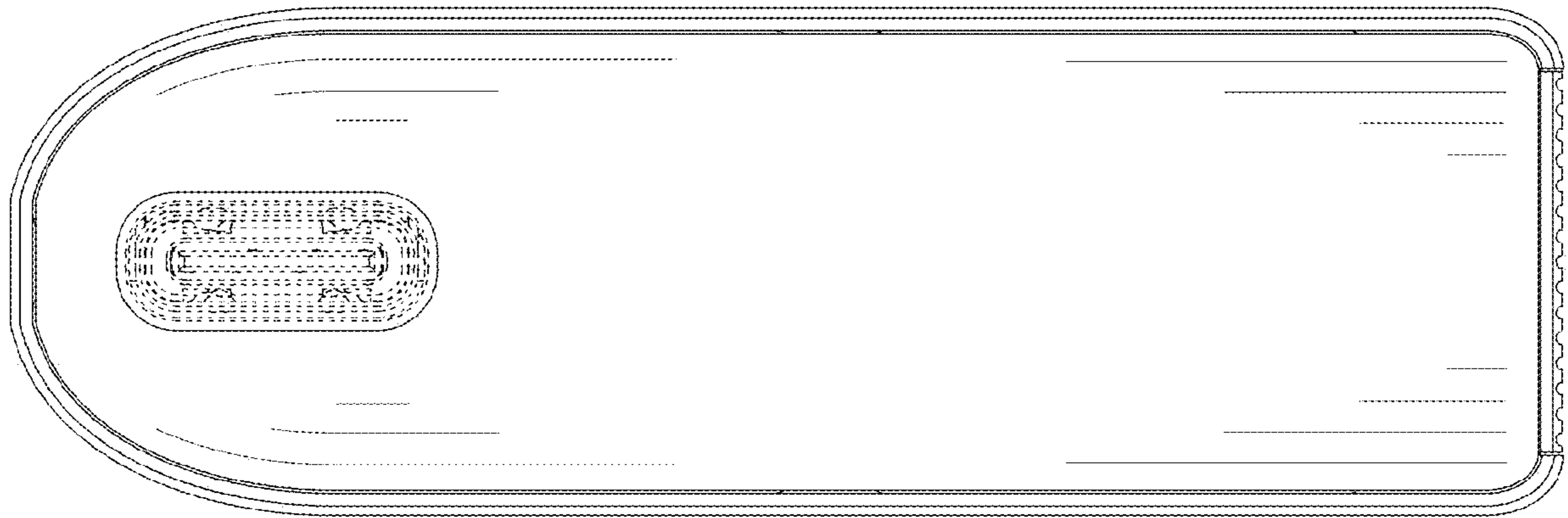


FIG. 8

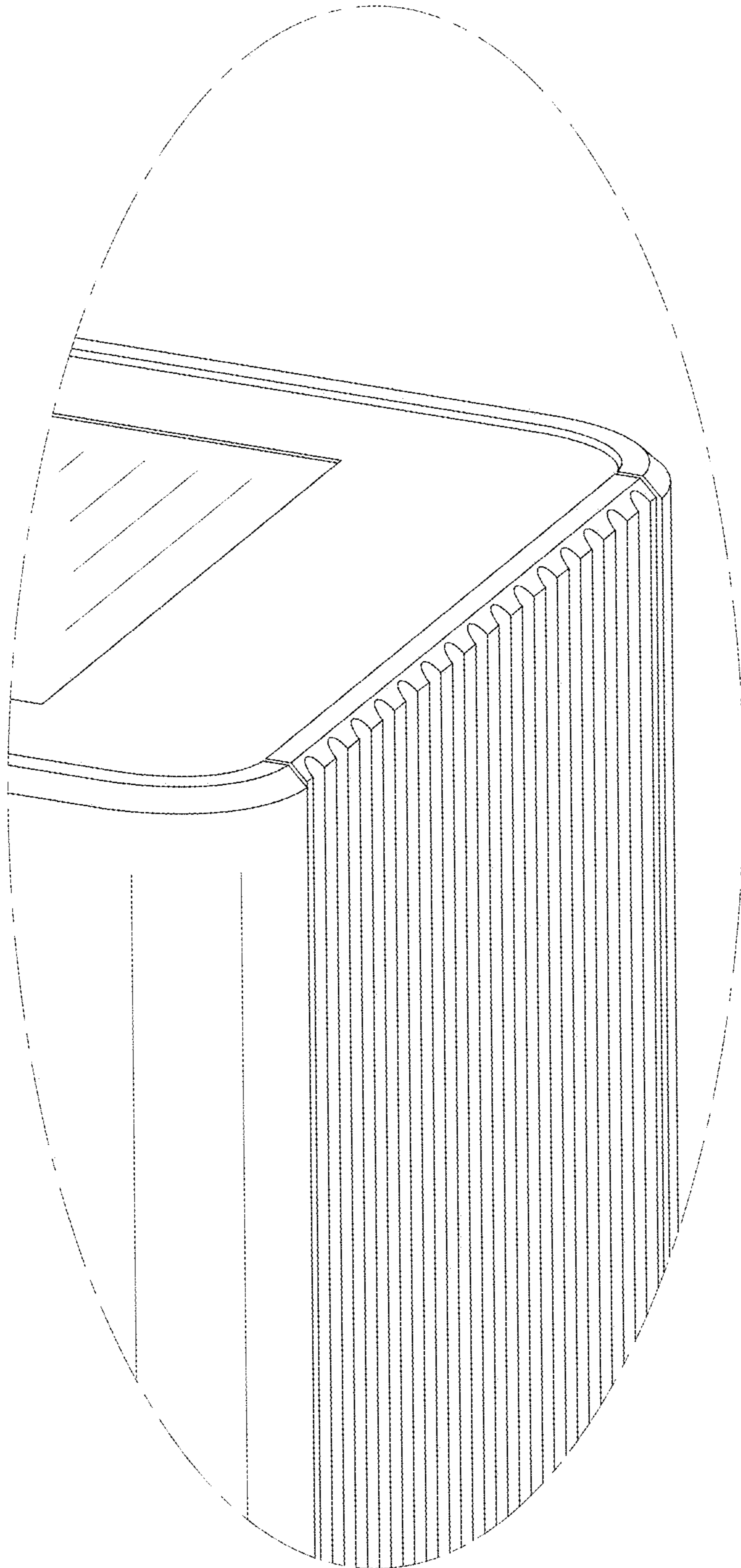


FIG. 9

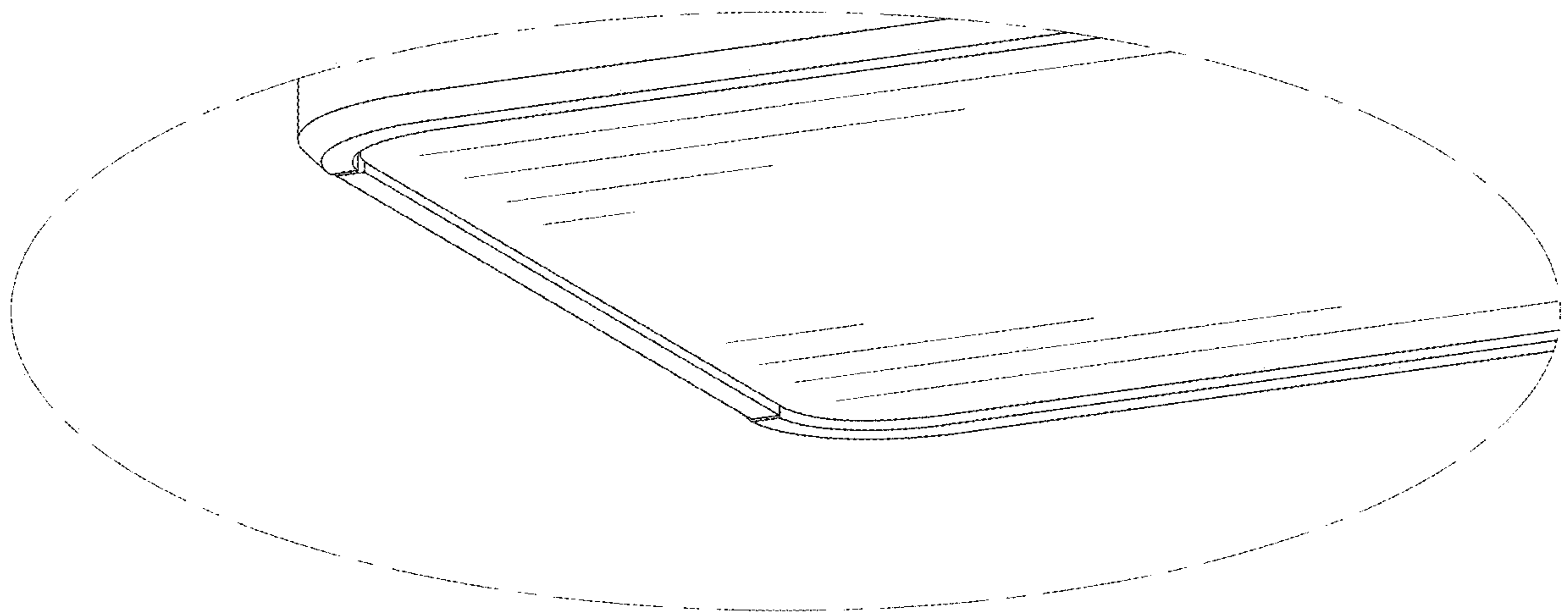


FIG. 10