



US00D950144S

(12) **United States Design Patent** (10) **Patent No.:** **US D950,144 S**
Lai et al. (45) **Date of Patent:** **** Apr. 26, 2022**

(54) **ELECTRONIC ATOMIZING DEVICE**

(71) Applicant: **Shenzhen Smoore Technology Limited**, Shenzhen (CN)

(72) Inventors: **Baosheng Lai**, Shenzhen (CN);
Chaoyong Bie, Shenzhen (CN)

(73) Assignee: **SHENZHEN SMOORE TECHNOLOGY LIMITED**, Shenzhen (CN)

(**) Term: **15 Years**

(21) Appl. No.: **29/736,757**

(22) Filed: **Jun. 2, 2020**

(30) **Foreign Application Priority Data**

Dec. 6, 2019 (CN) 201930682449.4

(51) **LOC (13) Cl.** **27-02**

(52) **U.S. Cl.**
USPC **D27/162**

(58) **Field of Classification Search**
USPC D27/100, 101, 162, 163, 164, 165, 166,
D27/167, 168, 169, 170, 171, 172, 173,
(Continued)

(56) **References Cited**

U.S. PATENT DOCUMENTS

D776,051 S * 1/2017 Wang D13/103
D788,362 S * 5/2017 Qiu D27/101
(Continued)

FOREIGN PATENT DOCUMENTS

CN 202030005770.1 * 6/2020
CN 202030056801.6 * 6/2020
(Continued)

OTHER PUBLICATIONS

70 Watts of AiO Power. By RiP Trippers. Dated Jan. 27, 2020. Found online [Apr. 26, 2021]. <https://www.youtube.com/watch?v=Gep65R5pfao> (Year: 2020).*

(Continued)

Primary Examiner — Marissa J Cash
Assistant Examiner — William B Melliar

(57) **CLAIM**

The ornamental design for an electronic atomizing device, as shown and described.

DESCRIPTION

FIG. 1 is a perspective view of an electronic atomizing device shown in an assembled configuration of use according to a first embodiment;
FIG. 2 is another perspective view thereof;
FIG. 3 is a front elevational view thereof;
FIG. 4 is a rear elevational view thereof;
FIG. 5 is a left side elevational view thereof;
FIG. 6 is a right side elevational view thereof;
FIG. 7 is an enlarged top plan view thereof;
FIG. 8 is an enlarged bottom plan view thereof;
FIG. 9 is an enlarged perspective view of an electronic atomizing device showing a first component removed from the assembly in FIGS. 1-8 for clarity of disclosure;
FIG. 10 is another enlarged perspective view thereof;
FIG. 11 is an enlarged front elevational view thereof;
FIG. 12 is an enlarged rear elevational view thereof;
FIG. 13 is an enlarged left side elevational view thereof;
FIG. 14 is an enlarged right side elevational view thereof;
FIG. 15 is an enlarged top plan view thereof;
FIG. 16 is an enlarged bottom plan view thereof;
FIG. 17 is an enlarged perspective view of an electronic atomizing device showing a second component removed from the assembly in FIGS. 1-8 for clarity of disclosure;
FIG. 18 is another enlarged perspective view thereof;
FIG. 19 is an enlarged front elevational view thereof;
FIG. 20 is an enlarged rear elevational view thereof;
FIG. 21 is an enlarged left side elevational view thereof;

(Continued)

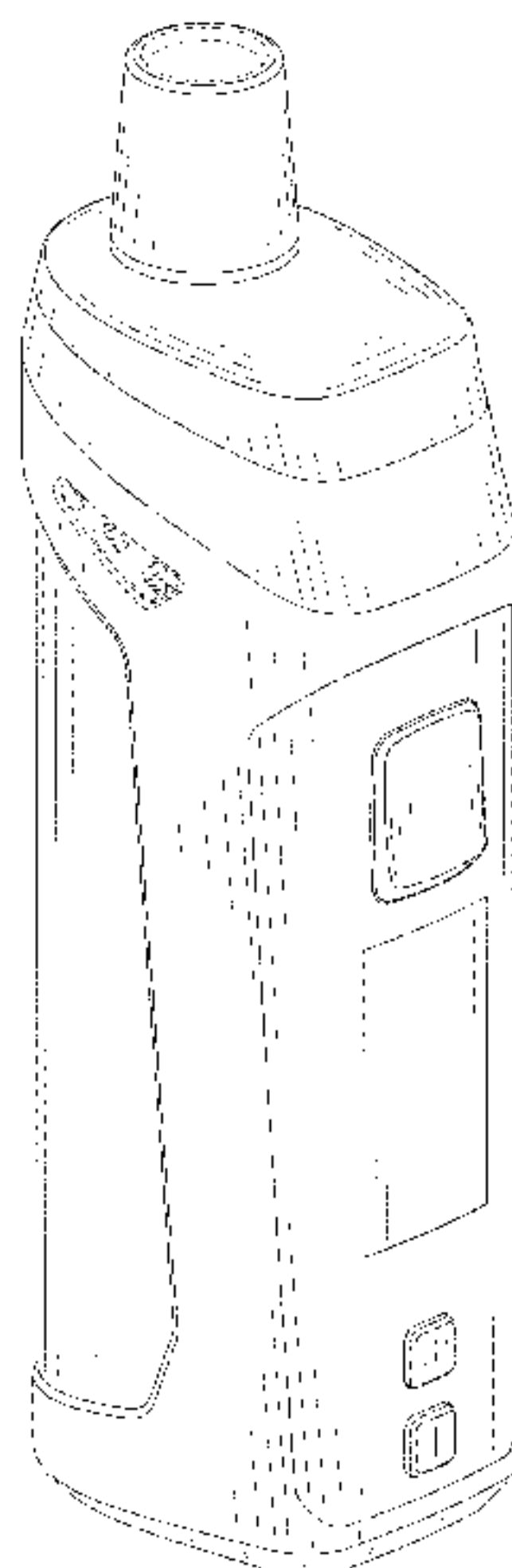


FIG. 22 is an enlarged right side elevational view thereof;
 FIG. 23 is an enlarged top plan view thereof;
 FIG. 24 is an enlarged bottom plan view thereof;
 FIG. 25 is a perspective view of an electronic atomizing device shown in an assembled configuration of use according to a second embodiment;
 FIG. 26 is another perspective view thereof;
 FIG. 27 is a front elevational view thereof;
 FIG. 28 is a rear elevational view thereof;
 FIG. 29 is a left side elevational view thereof;
 FIG. 30 is a right side elevational view thereof;
 FIG. 31 is an enlarged top plan view thereof;
 FIG. 32 is an enlarged bottom plan view thereof;
 FIG. 33 is an enlarged perspective view of an electronic atomizing device showing a first component removed from the assembly in FIGS. 25-32 for clarity of disclosure;
 FIG. 34 is another enlarged perspective view thereof;
 FIG. 35 is an enlarged front elevational view thereof;
 FIG. 36 is an enlarged rear elevational view thereof;
 FIG. 37 is an enlarged left side elevational view thereof;
 FIG. 38 is an enlarged right side elevational view thereof;
 FIG. 39 is an enlarged top plan view thereof; and,
 FIG. 40 is an enlarged bottom plan view thereof.
 The broken lines in the drawings depict portions of the electronic atomizing device that form no part of the claimed design.
 The oblique shade lines in the drawings indicate transparency.

1 Claim, 40 Drawing Sheets

(58) **Field of Classification Search**

USPC D27/174, 175, 176, 177, 178, 179, 180,
 D27/181, 182, 183, 184, 185, 186, 187,
 D27/188, 189, 190, 191, 192, 193, 194,
 D27/196; D28/91.1; D23/360, 362;
 D24/110, 110.4, 110.5, 110.6, 113
 CPC A24F 40/10; A24F 40/40; A24F 40/46;
 A24F 47/008; A24F 40/60; A24F 40/70;
 A24F 40/51; A24F 40/20; A24F 40/05;
 A24F 40/90; A24F 40/30; A24F 40/95;
 A24F 40/00; A24F 7/00; A24F 13/00;

A24F 13/14; A24F 1/32; A24F 40/49;
 A24F 42/60; A24F 42/80; A24F 47/002;
 A24F 7/02; A24F 9/16; A24F 40/42;
 A24F 40/57; A24F 15/015; A24F 40/465;
 A24F 1/02; A24F 2700/03; A24F 15/01;
 A24F 1/28; A24F 40/85; A24F 42/00;
 A24F 42/10; A24F 42/20; A24F 47/004;
 A24F 47/006; A24F 7/04; A24F 40/485;
 A24F 40/44; A24F 40/48; A24F 40/50;
 A24F 1/00; A24F 47/00; A24F 40/53;
 A24F 40/65

See application file for complete search history.

(56)

References Cited

U.S. PATENT DOCUMENTS

D807,576	S	*	1/2018	Liu	D27/163
D814,693	S	*	4/2018	Qiu	D27/101
D821,305	S	*	6/2018	Liu	D13/103
D852,409	S	*	6/2019	Takehara	D27/162
D863,672	S	*	10/2019	Liu	D27/162
D864,475	S	*	10/2019	Pierce	D27/162
D872,933	S	*	1/2020	Santos	D27/162
D890,416	S	*	7/2020	Ouyang	D27/162
D897,596	S	*	9/2020	Huang	D27/162
D908,281	S	*	1/2021	Folkerts	D27/162
D910,234	S	*	2/2021	Sun	D27/162
D931,202	S	*	9/2021	Lai	D13/107
2017/0064999	A1	*	3/2017	Perez	B65D 25/04
2021/0059304	A1	*	3/2021	Ouyang	A24F 40/40

FOREIGN PATENT DOCUMENTS

CN	201930693892.1	*	9/2020
CN	202030266056.8	*	10/2020
CN	202030266330.1	*	12/2020

OTHER PUBLICATIONS

Target PM80 Pod Mod. By Mike Vapes. Dated Dec. 29, 2019. Found online [Apr. 26, 2021]. <https://www.youtube.com/watch?v=qDQwCT2GQsY> (Year: 2019).*

Smok Scar P5 and P3 Pod Mod. By BestVapeGears. Dated Jun. 18, 2020. Found online [Apr. 26, 2021]. https://www.youtube.com/watch?v=Aj1Lj_iws5g (Year: 2020).*

* cited by examiner

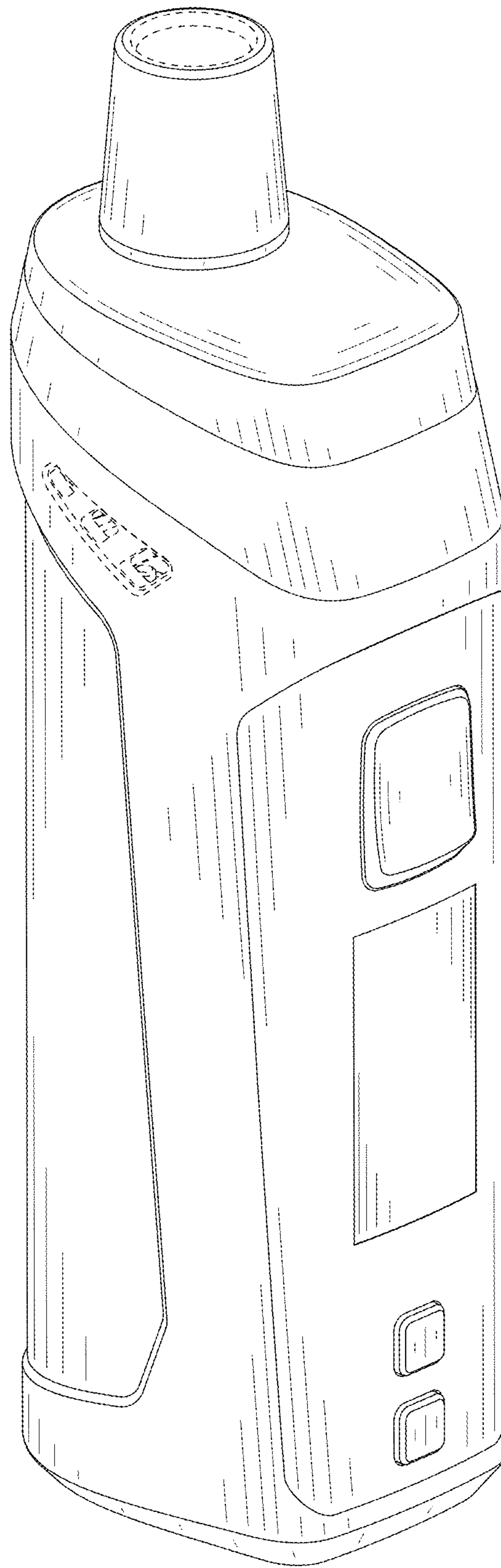


FIG. 1

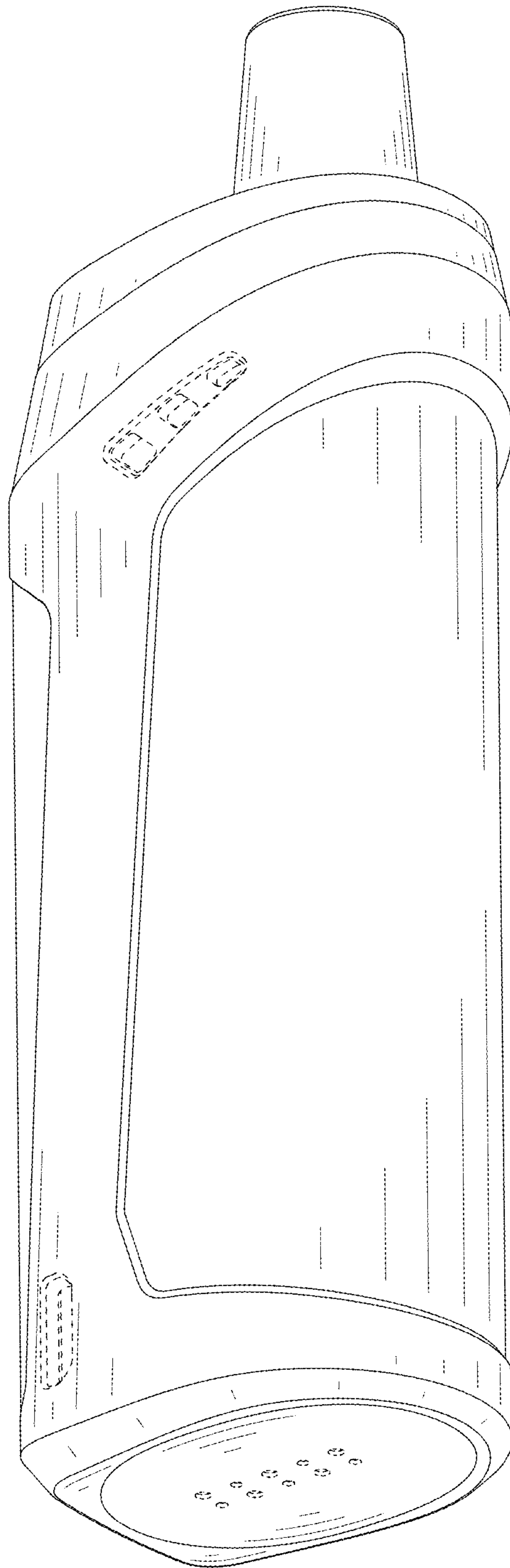


FIG. 2

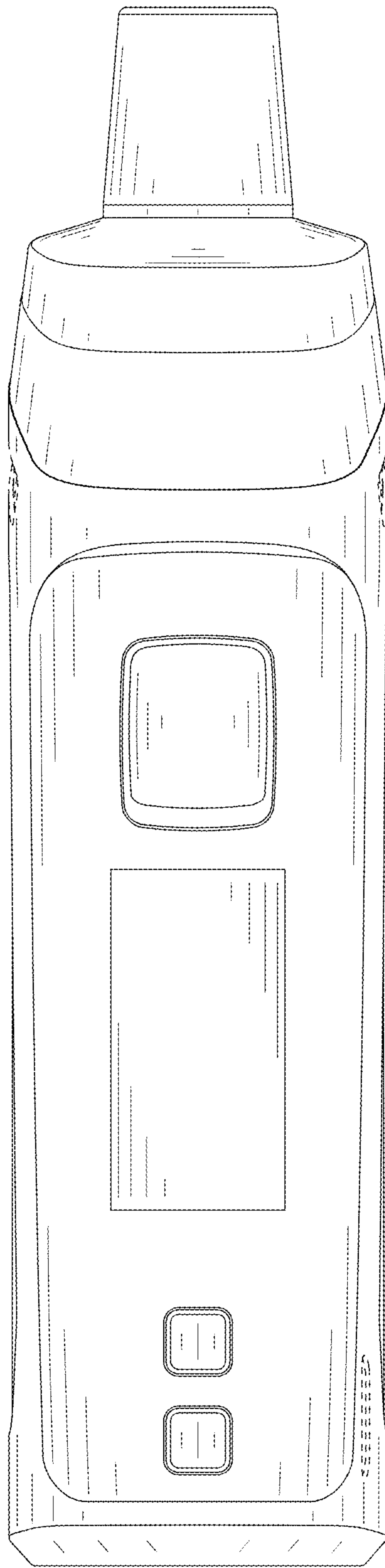


FIG. 3

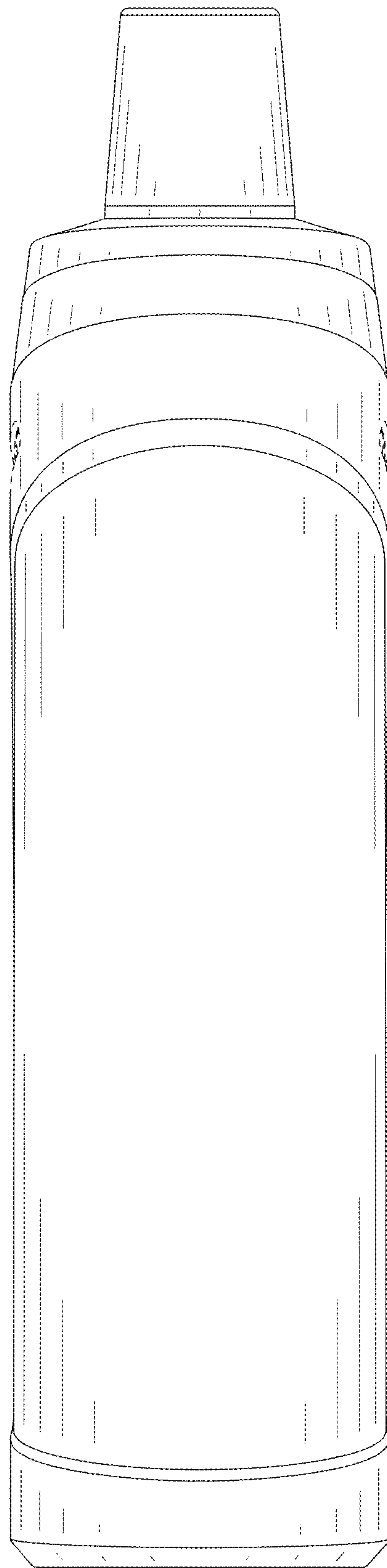


FIG. 4

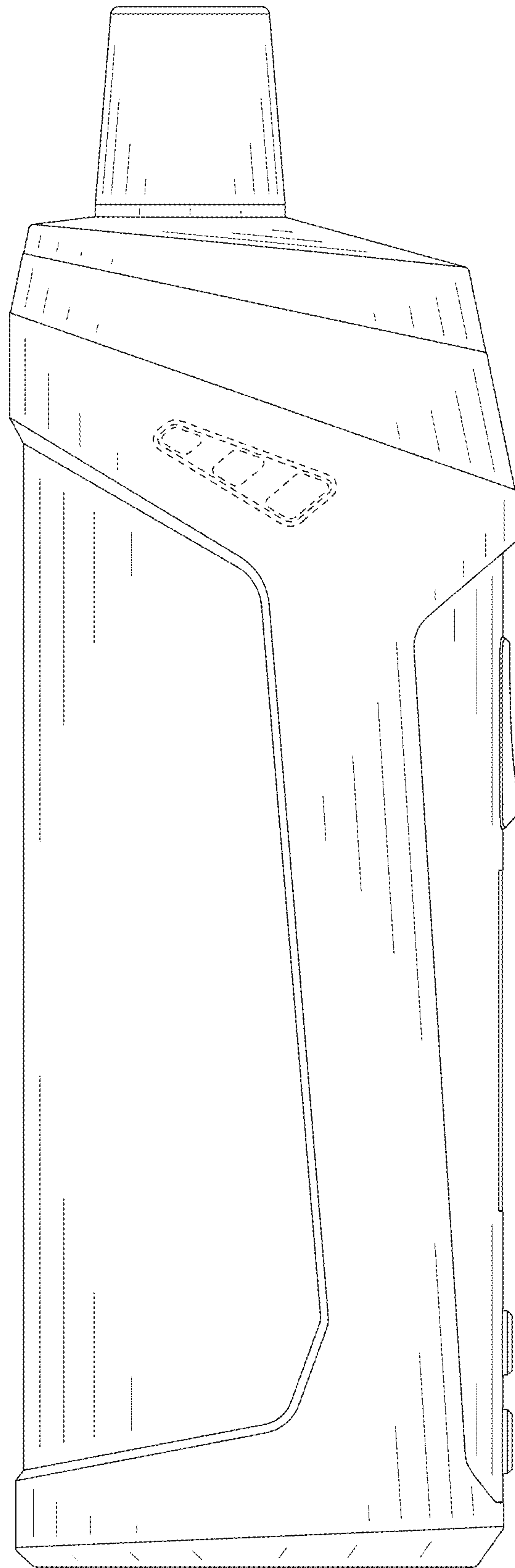


FIG. 5

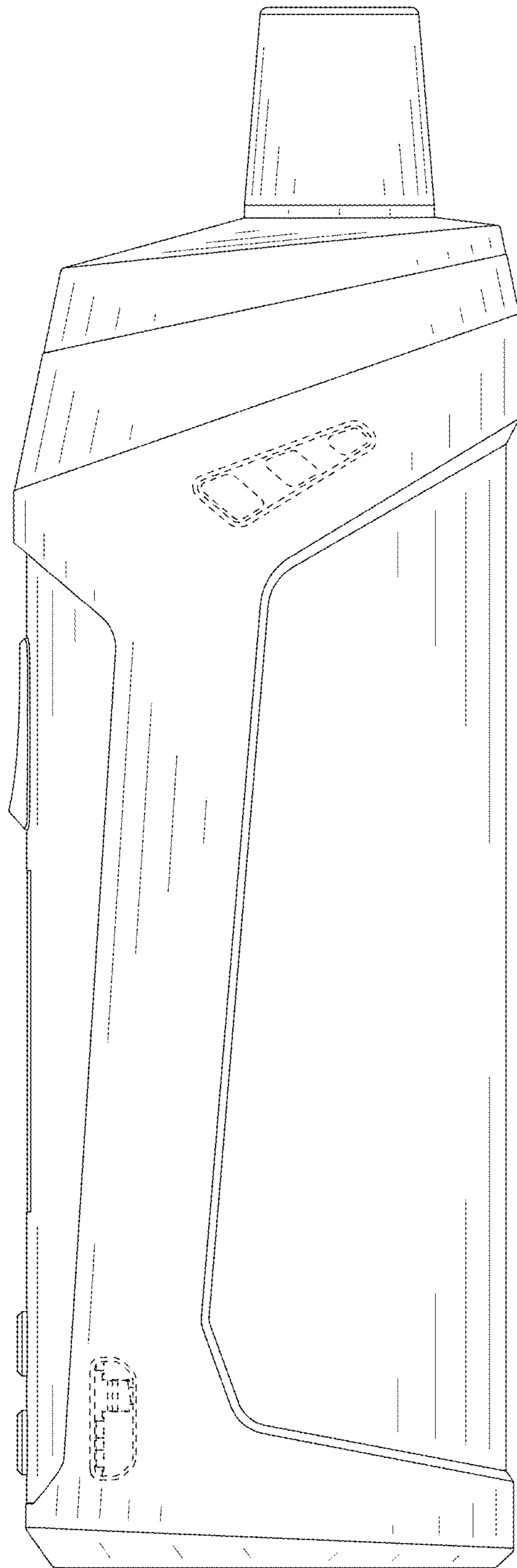


FIG. 6

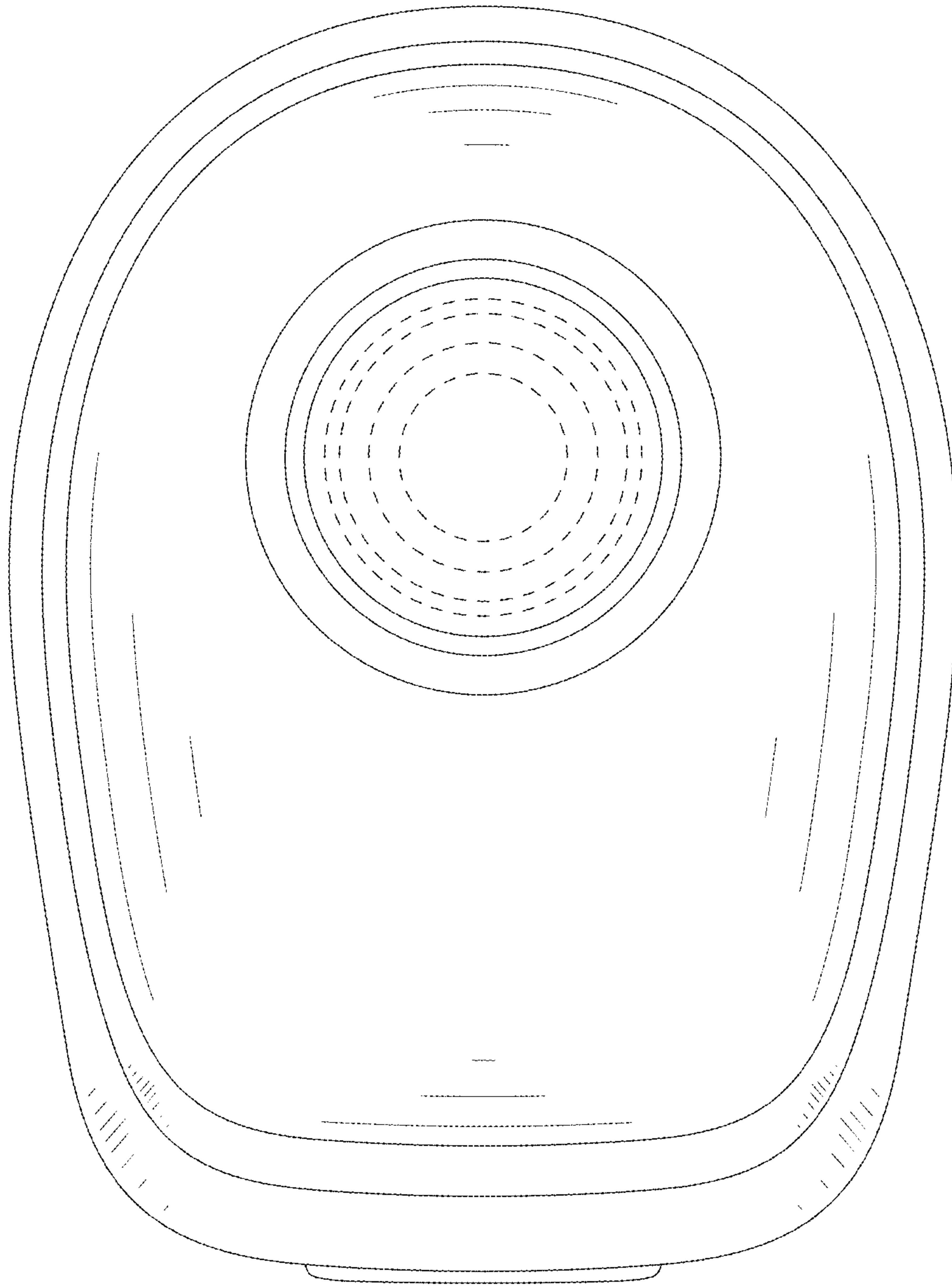


FIG. 7

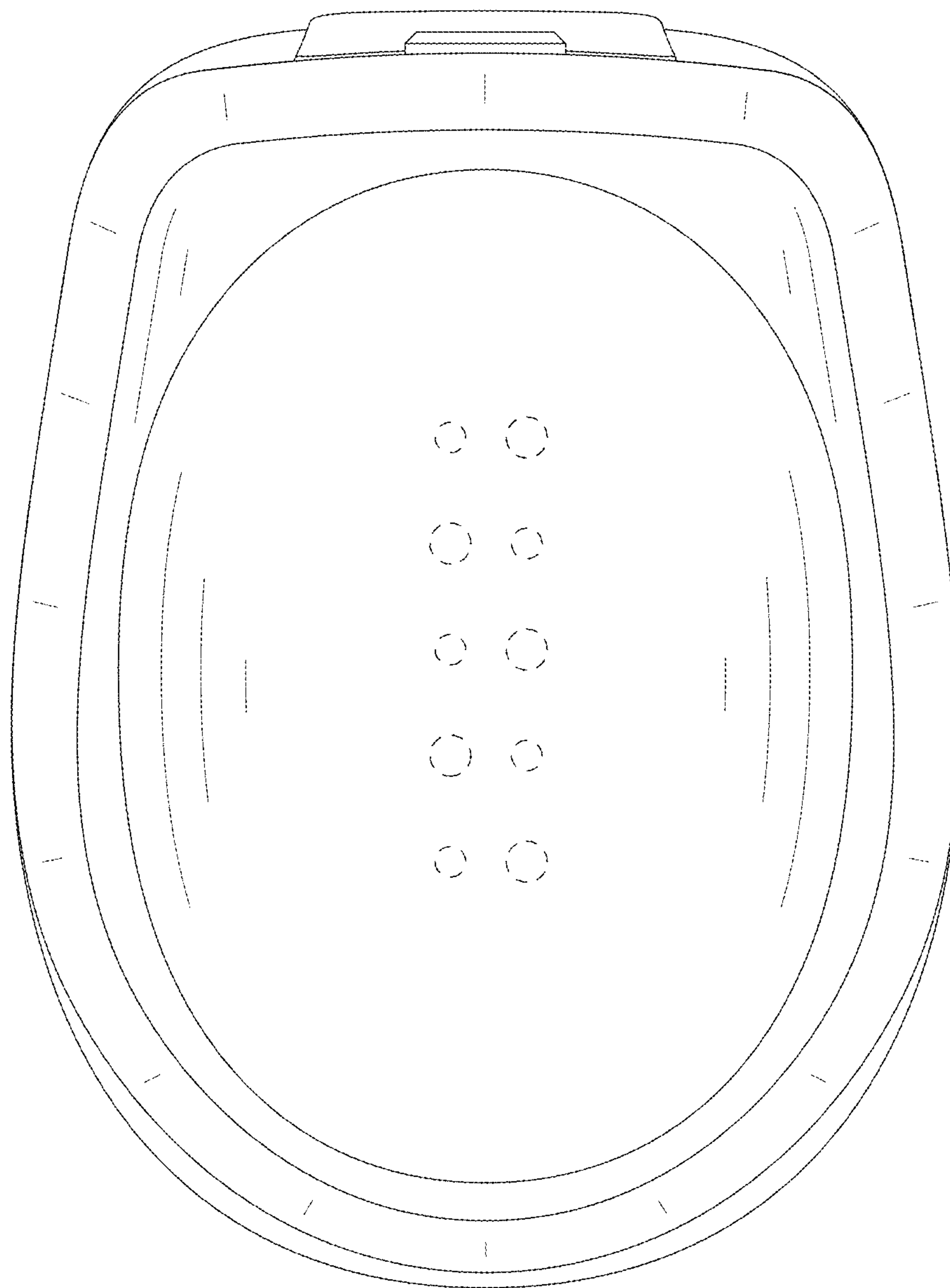


FIG. 8

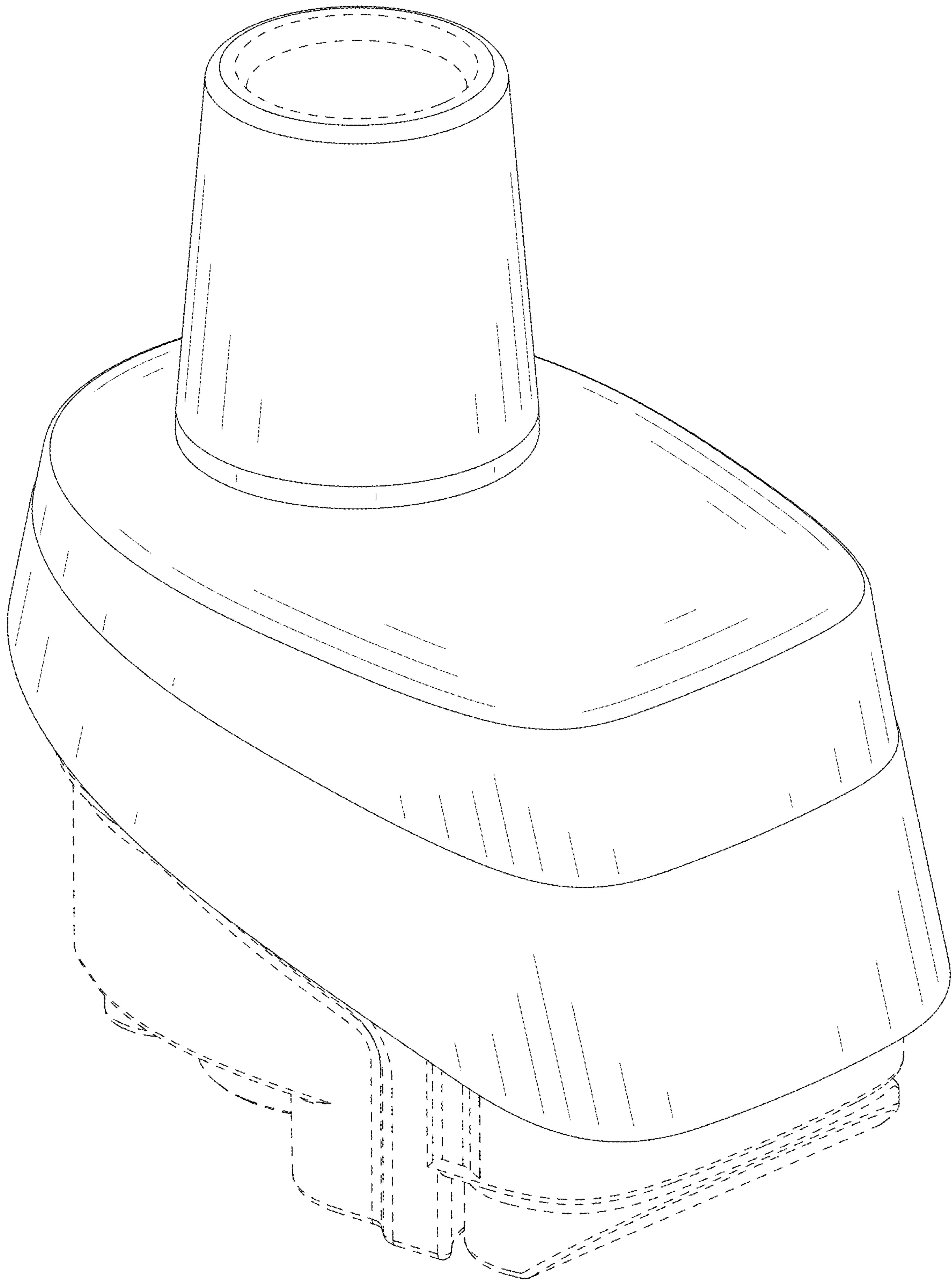


FIG. 9

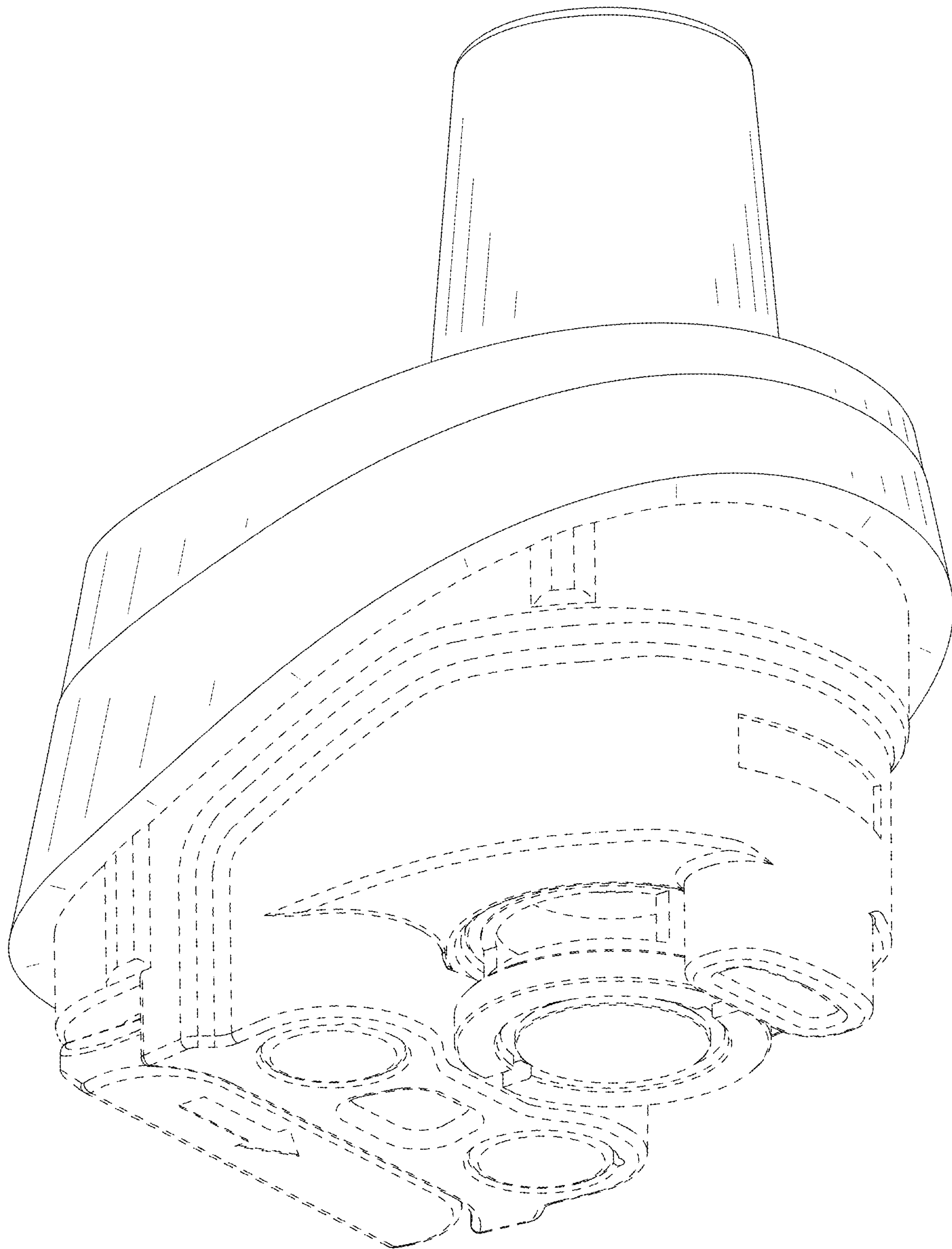


FIG. 10

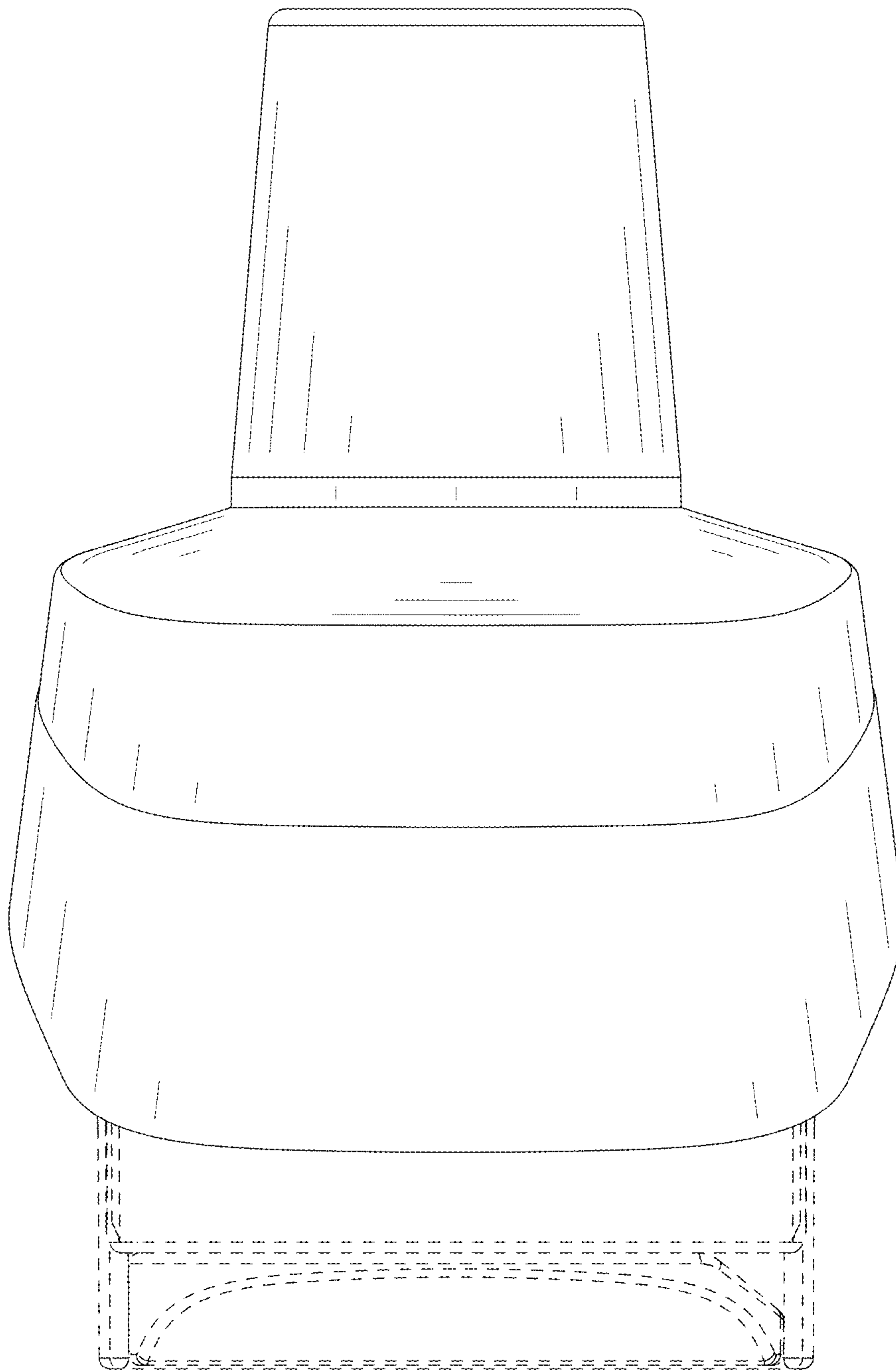


FIG. 11

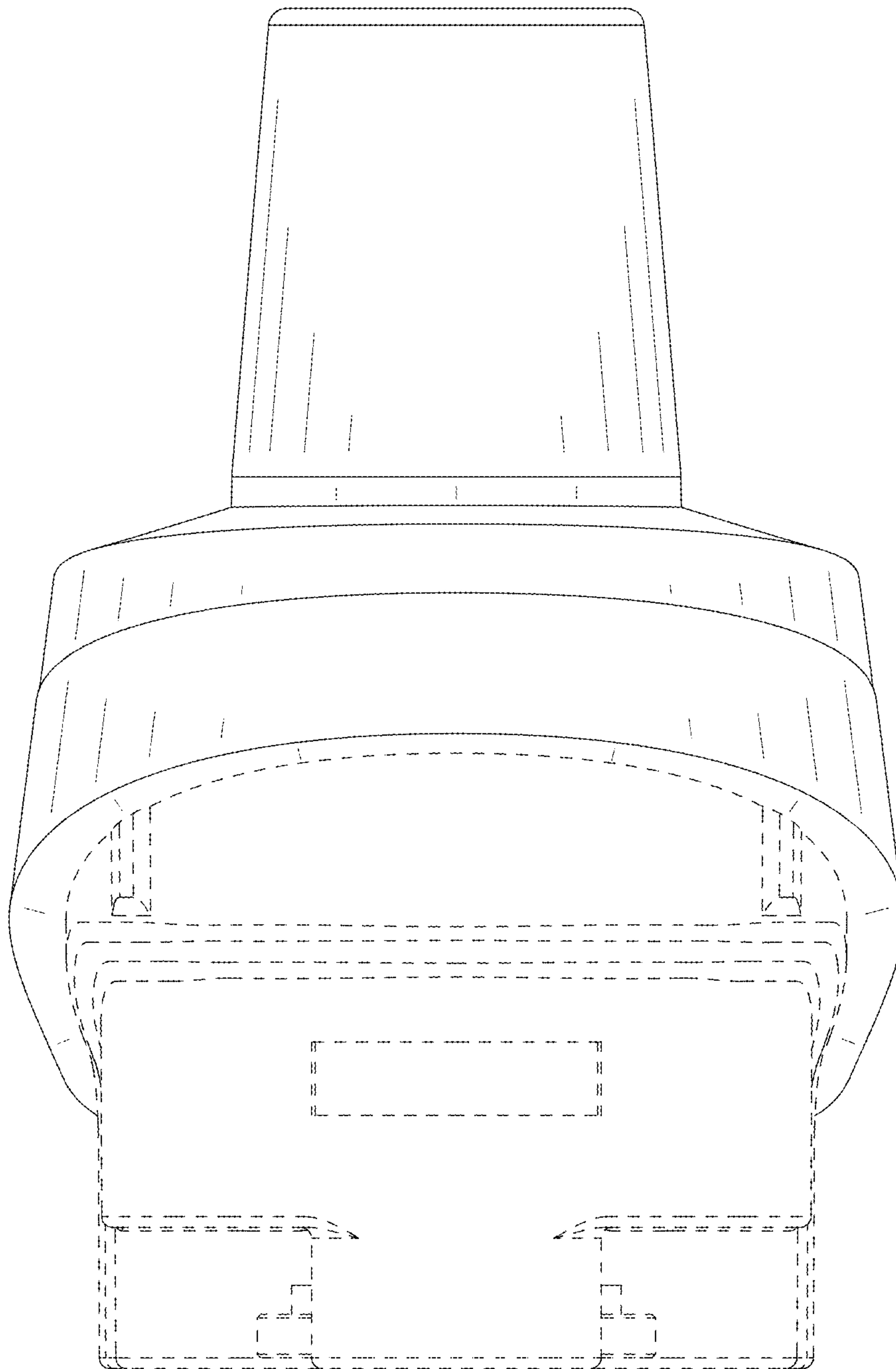


FIG. 12

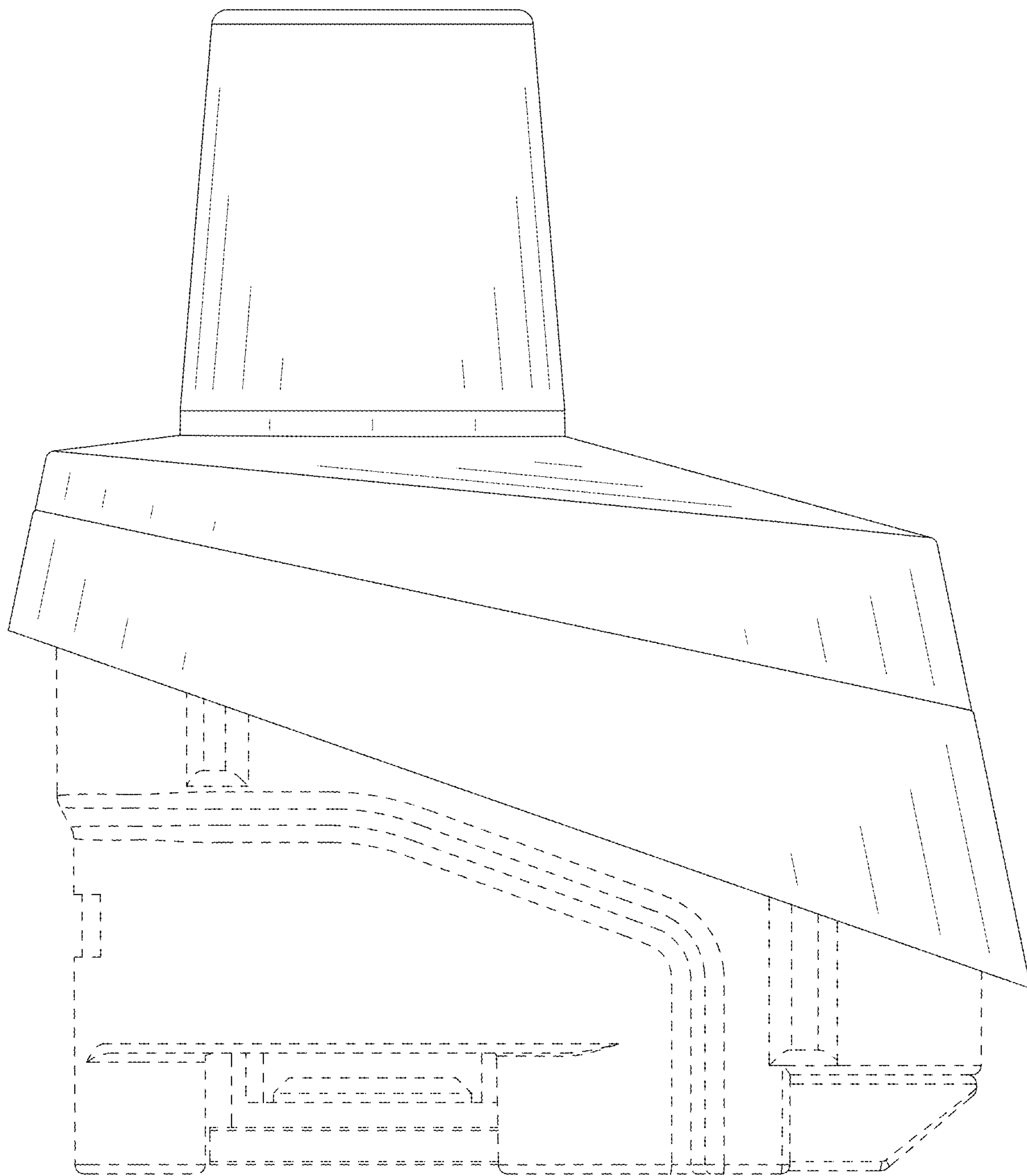


FIG. 13

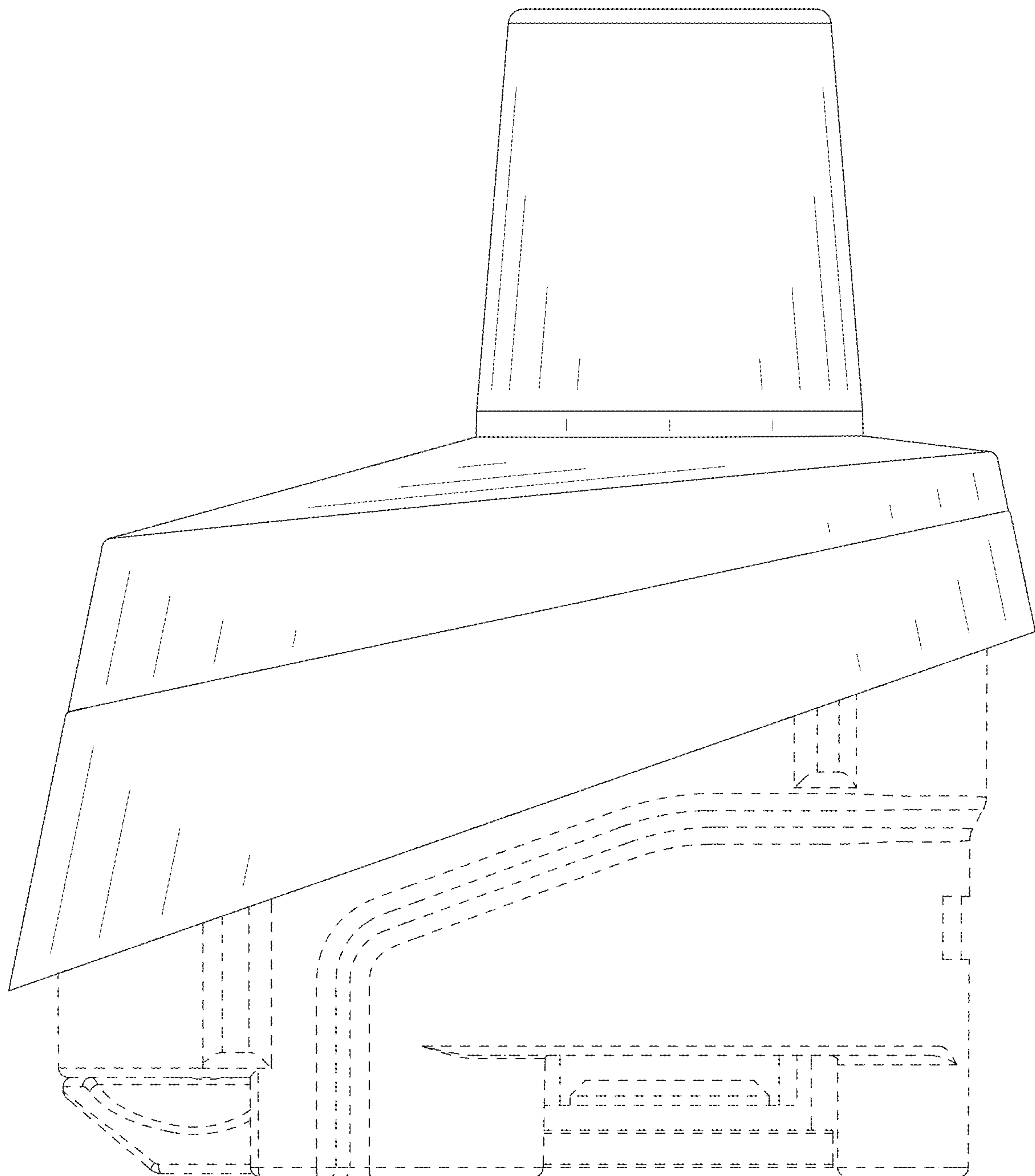


FIG. 14

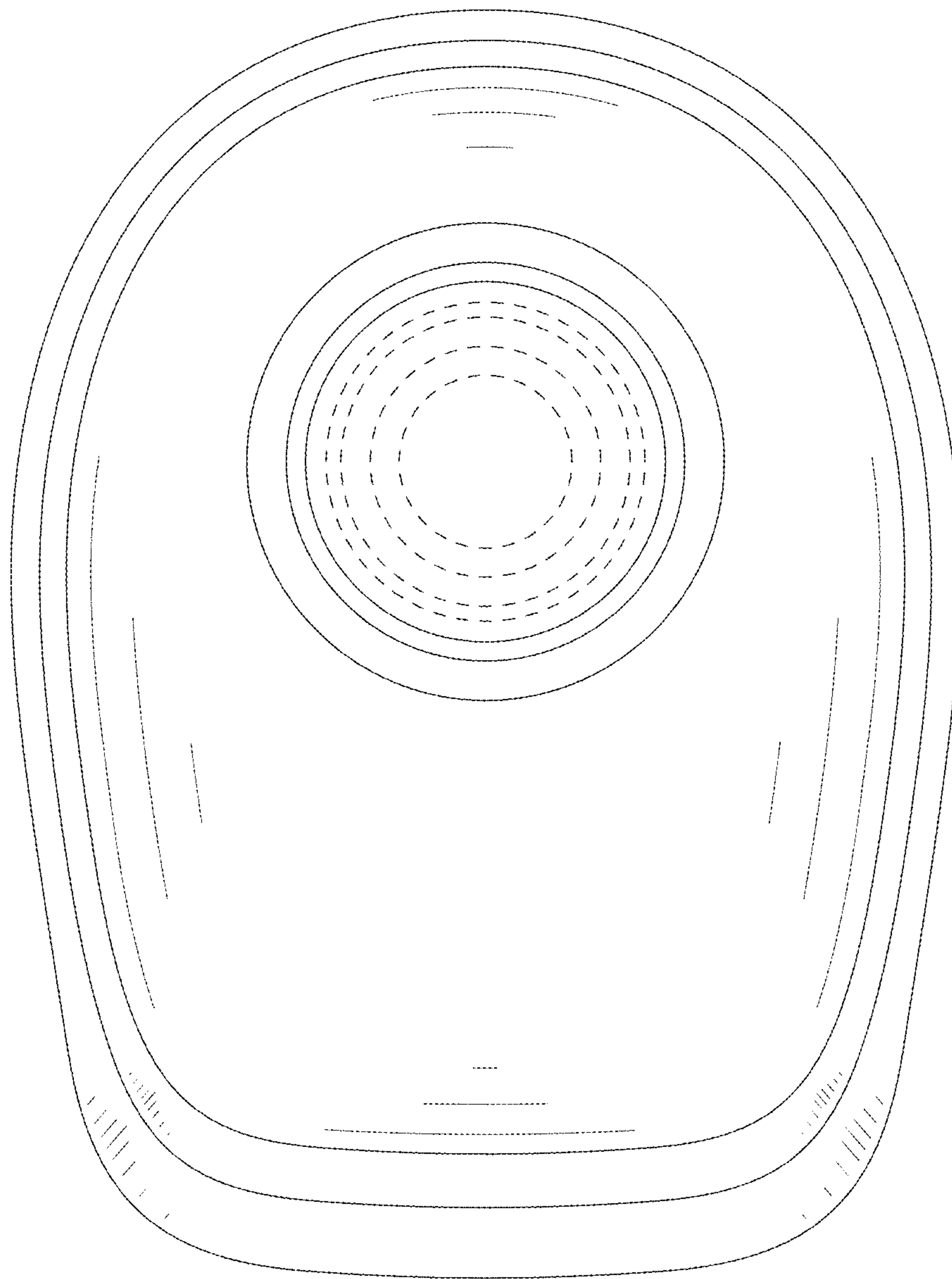


FIG. 15

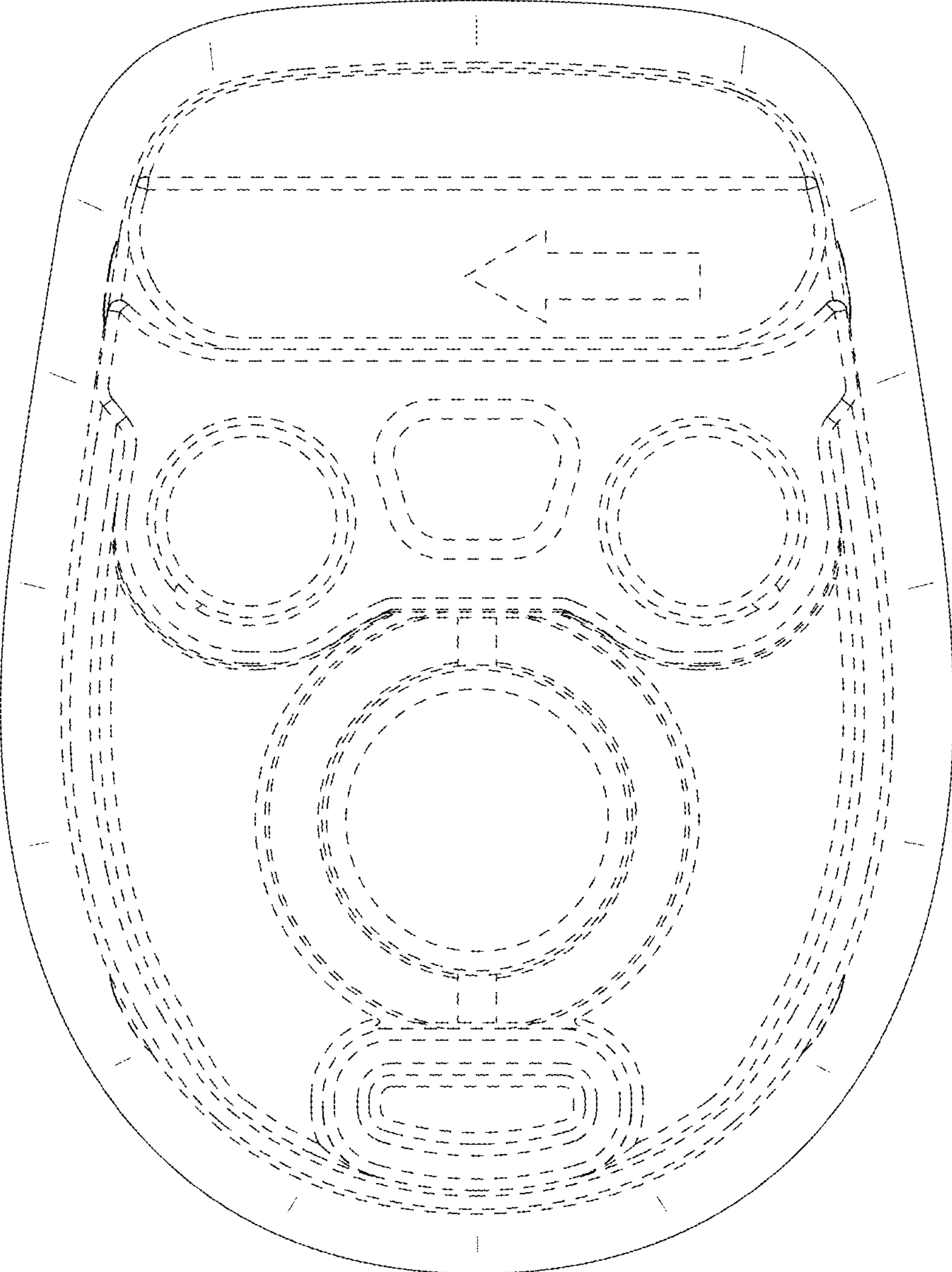


FIG. 16

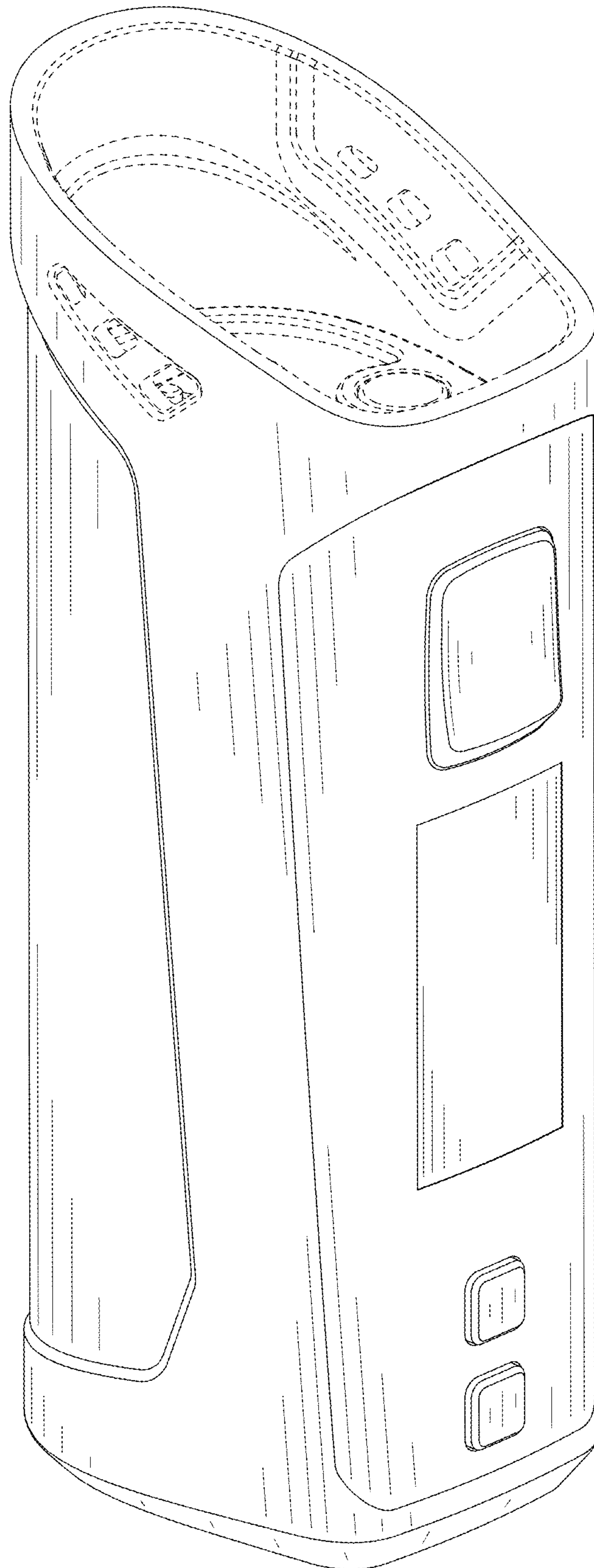


FIG. 17

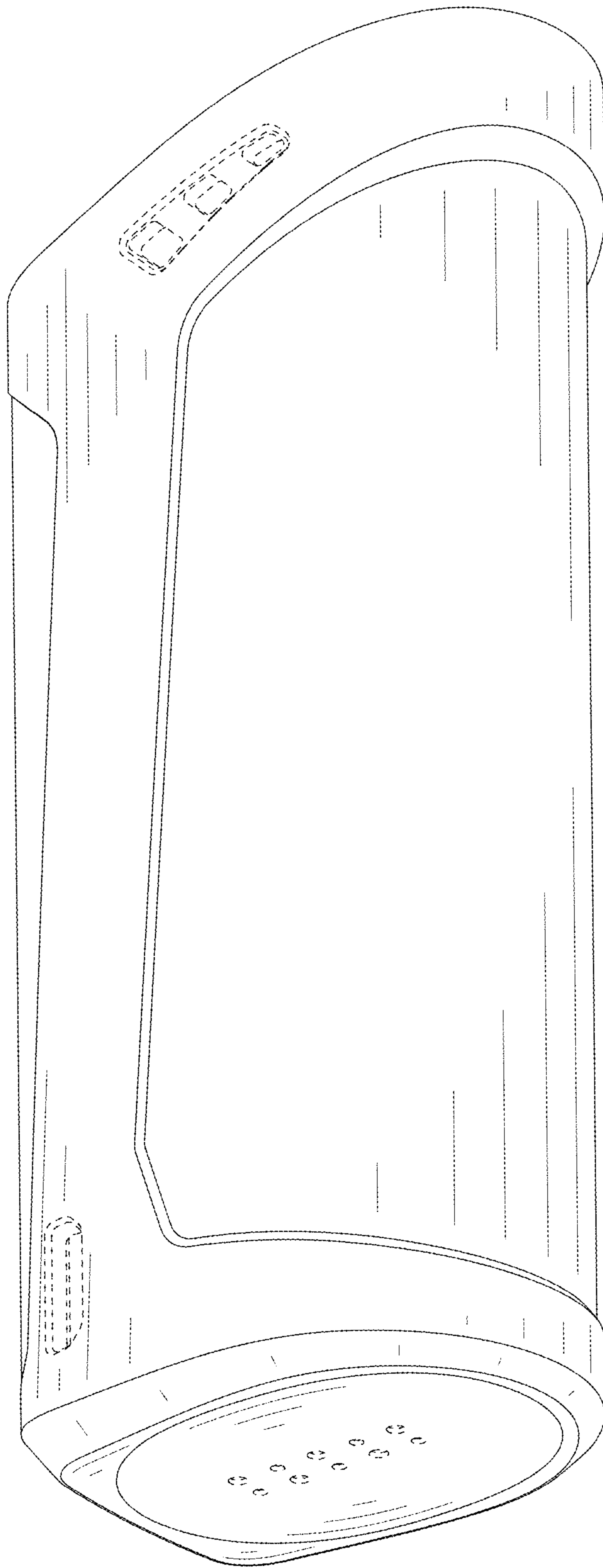


FIG. 18

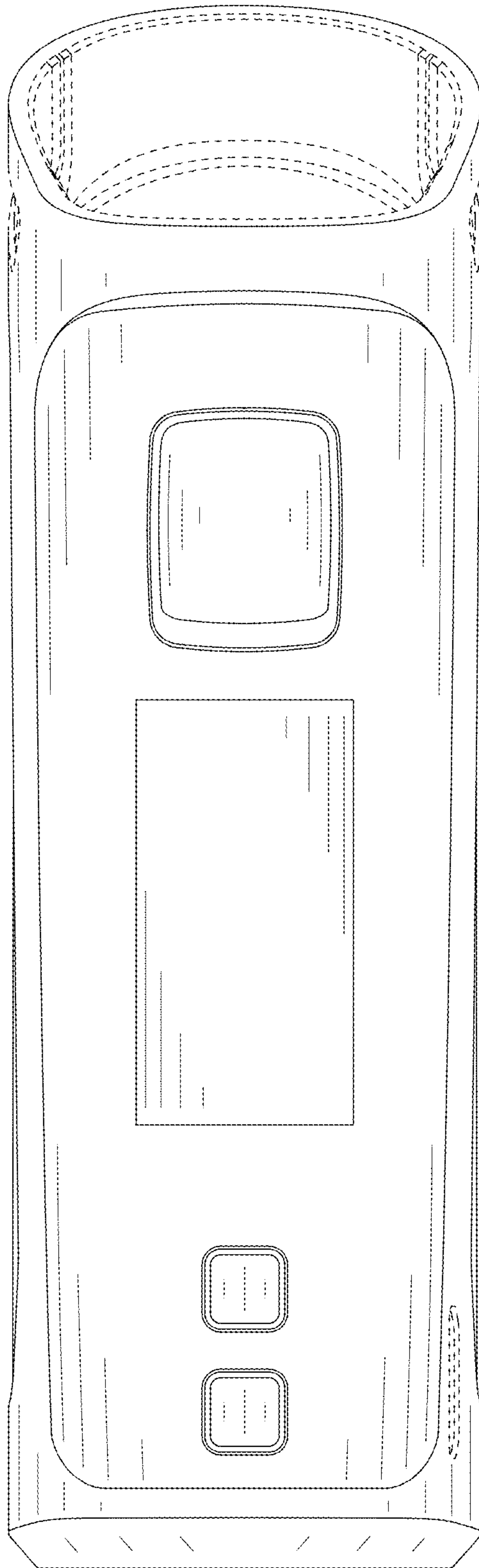


FIG. 19

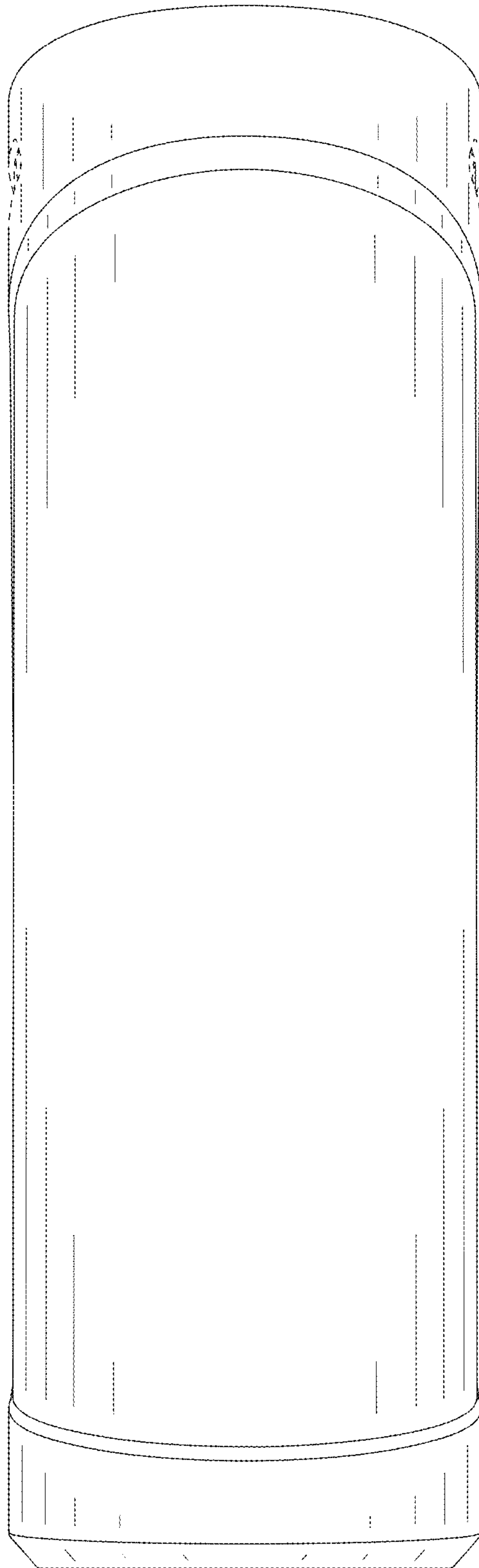


FIG. 20

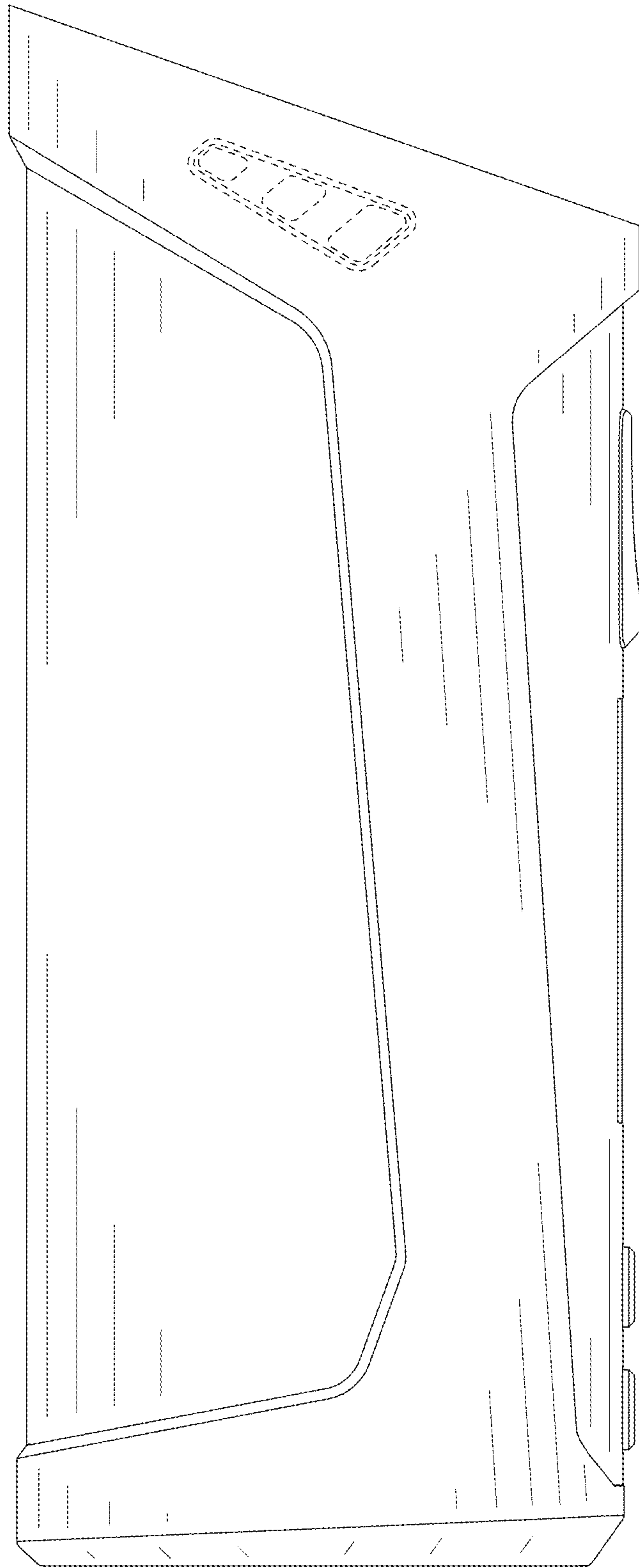


FIG. 21

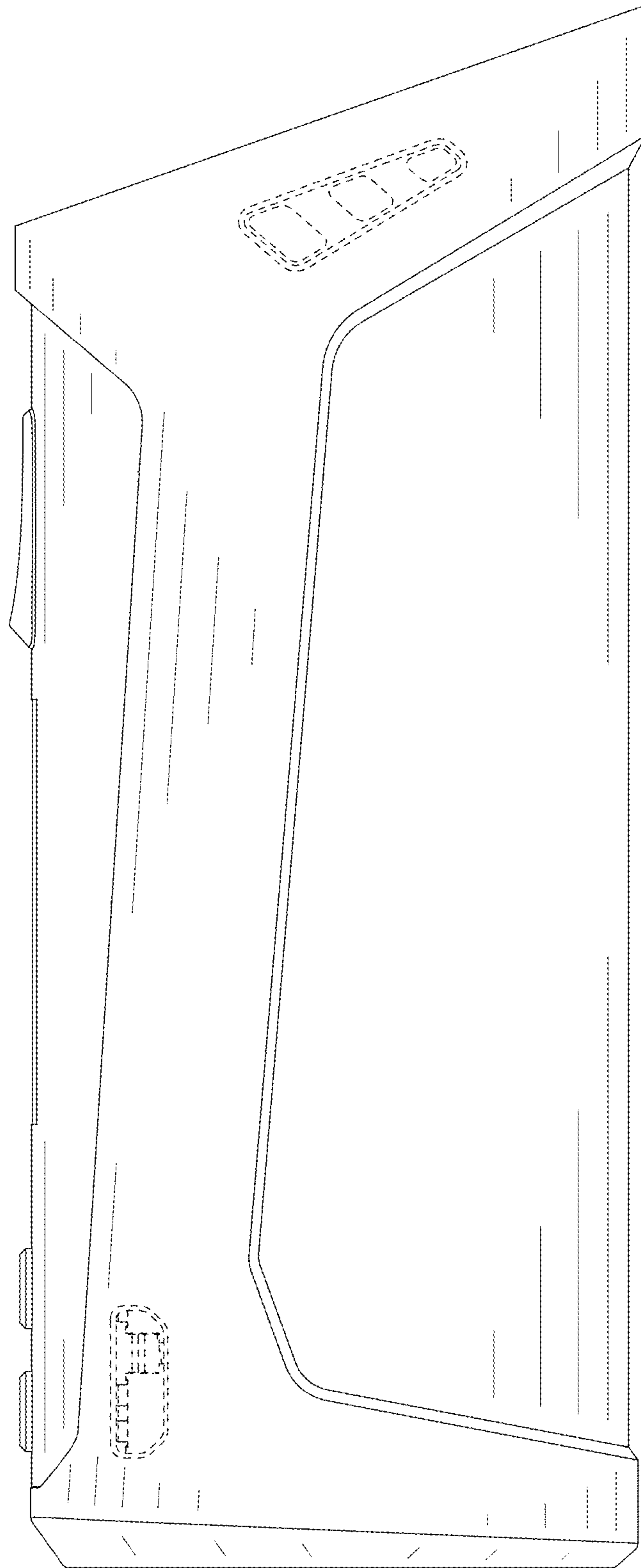


FIG. 22

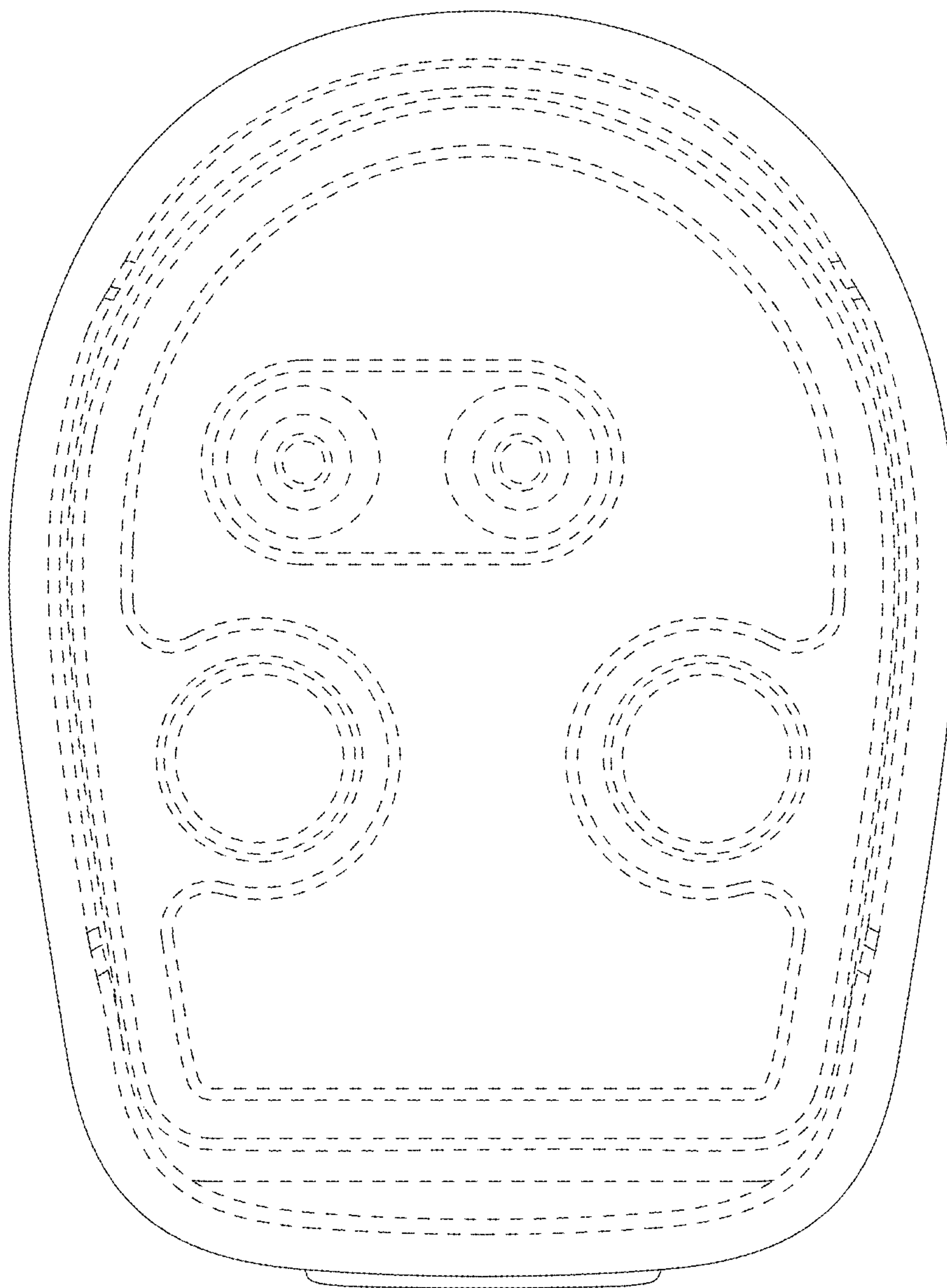


FIG. 23

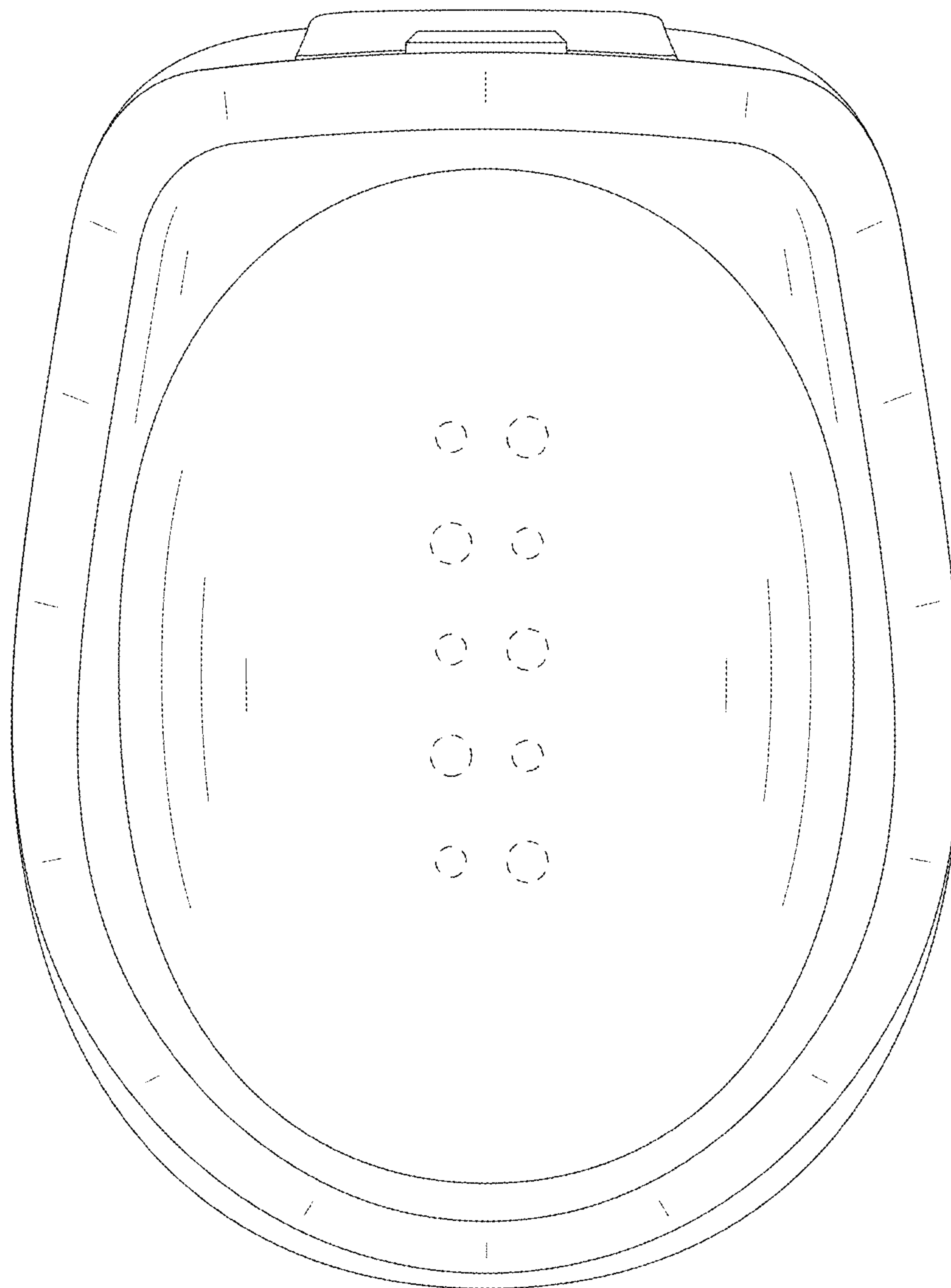


FIG. 24

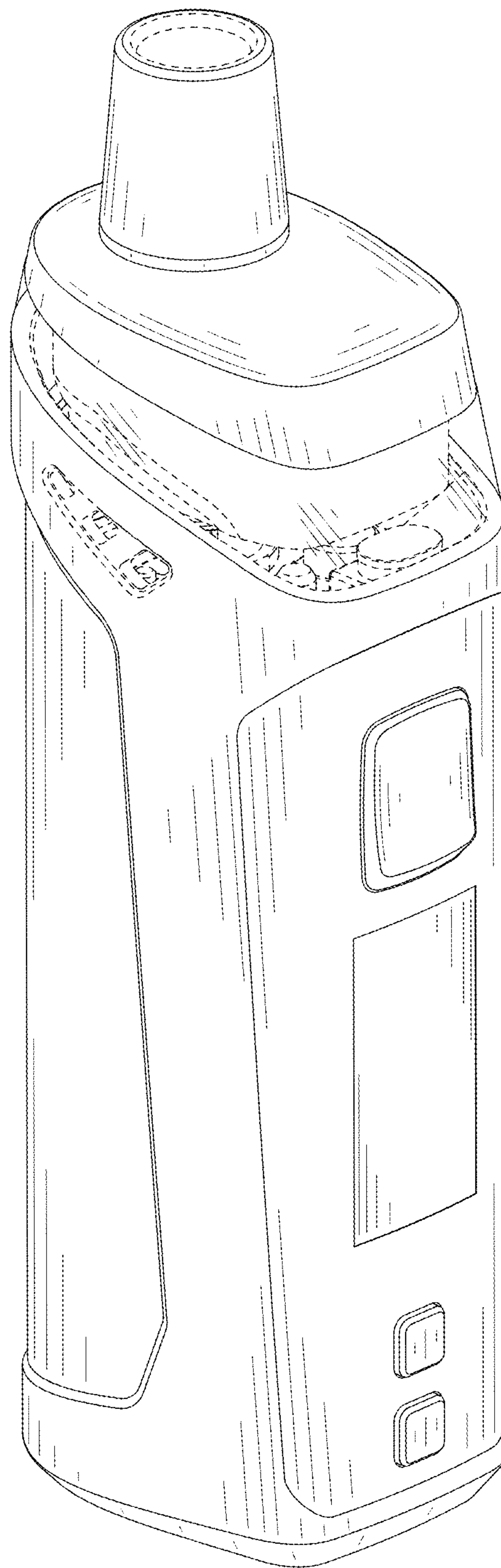


FIG. 25

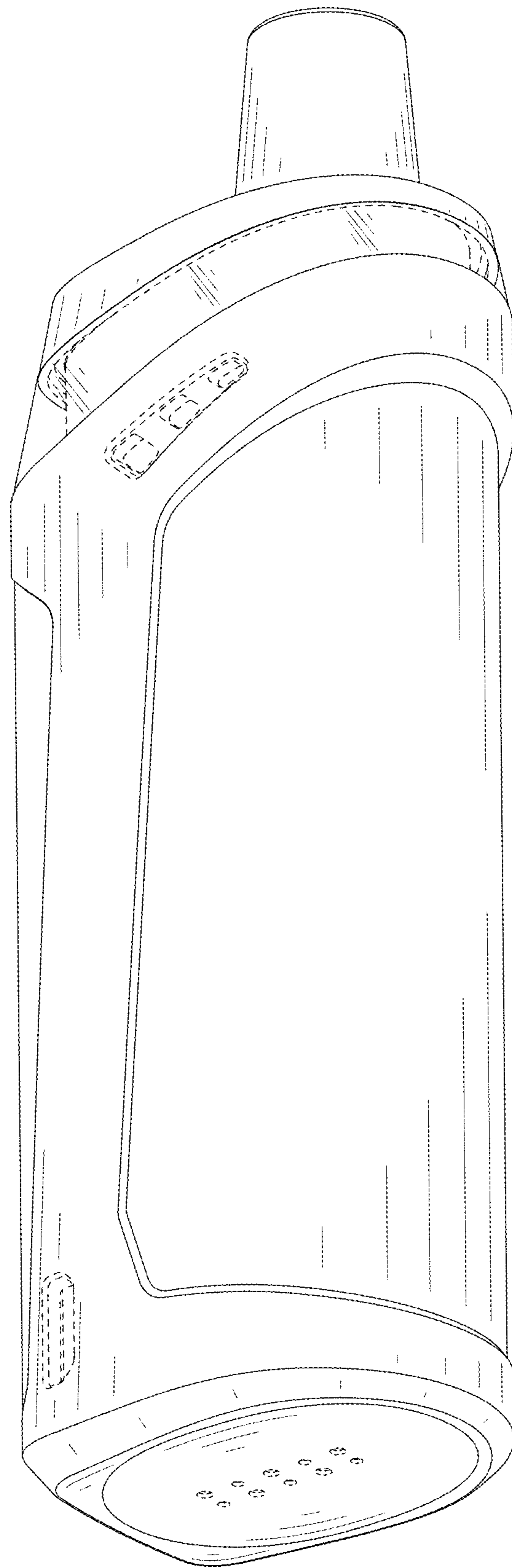


FIG. 26

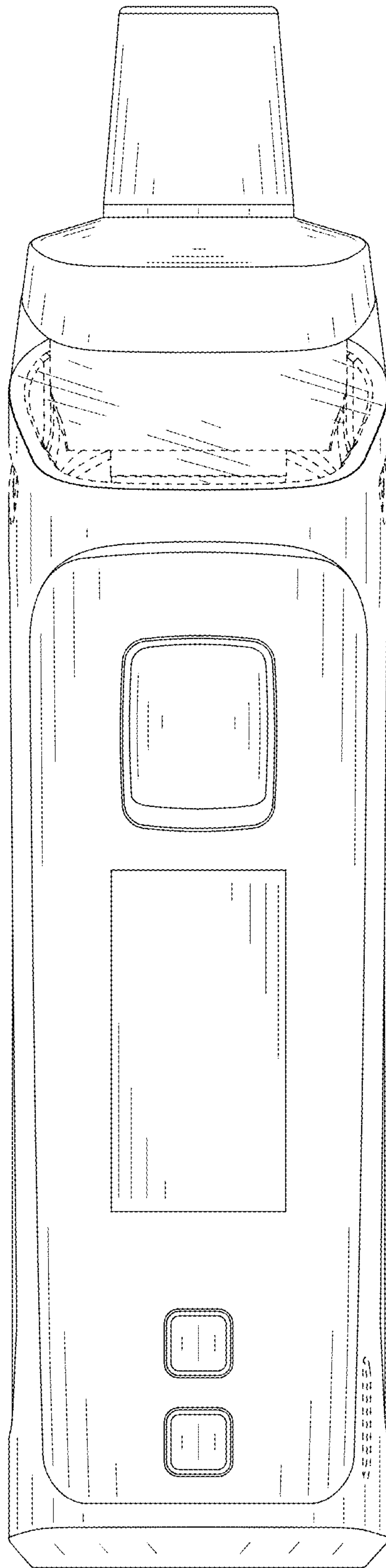


FIG. 27

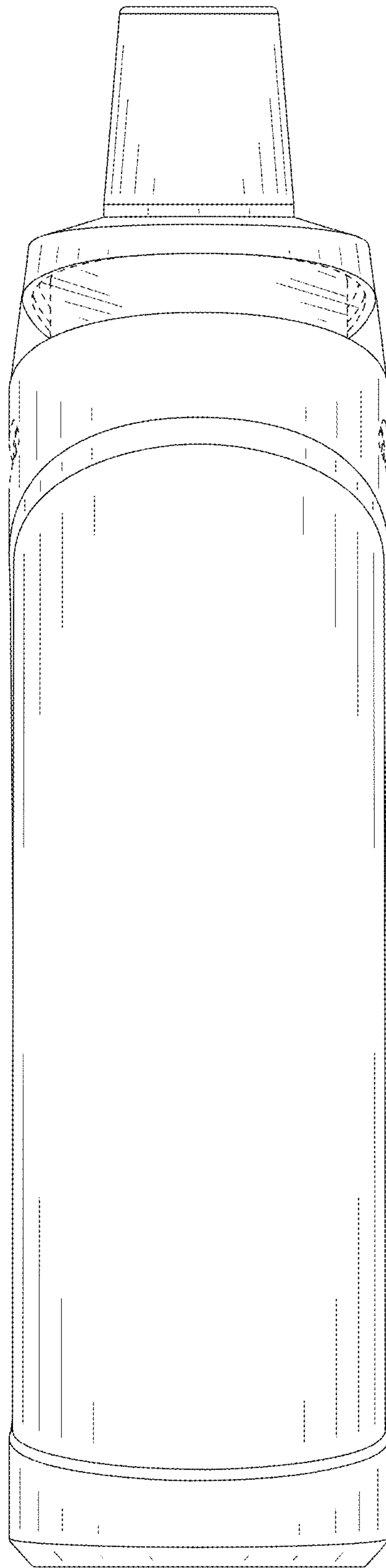


FIG. 28

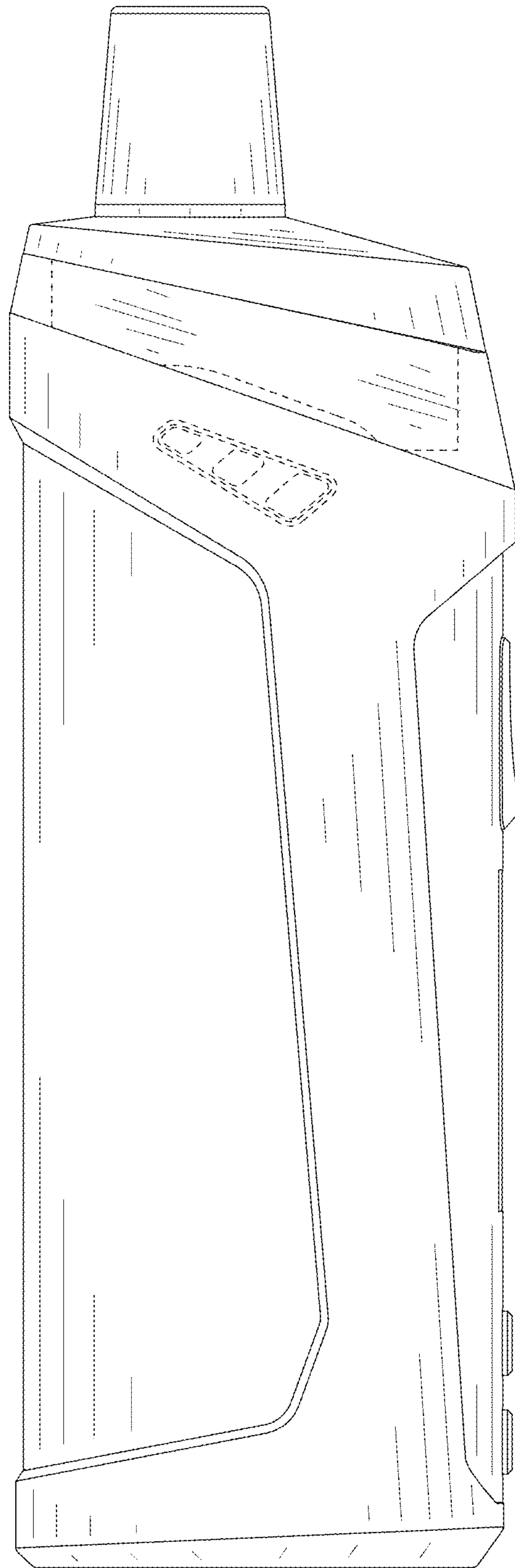


FIG. 29

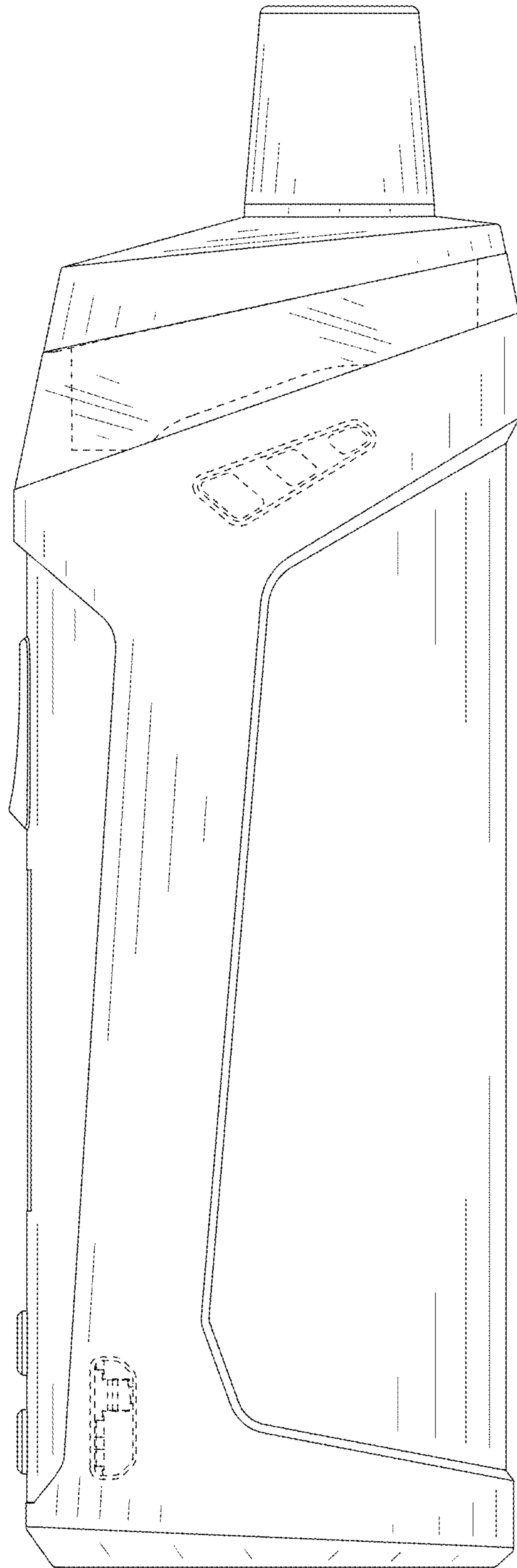


FIG. 30

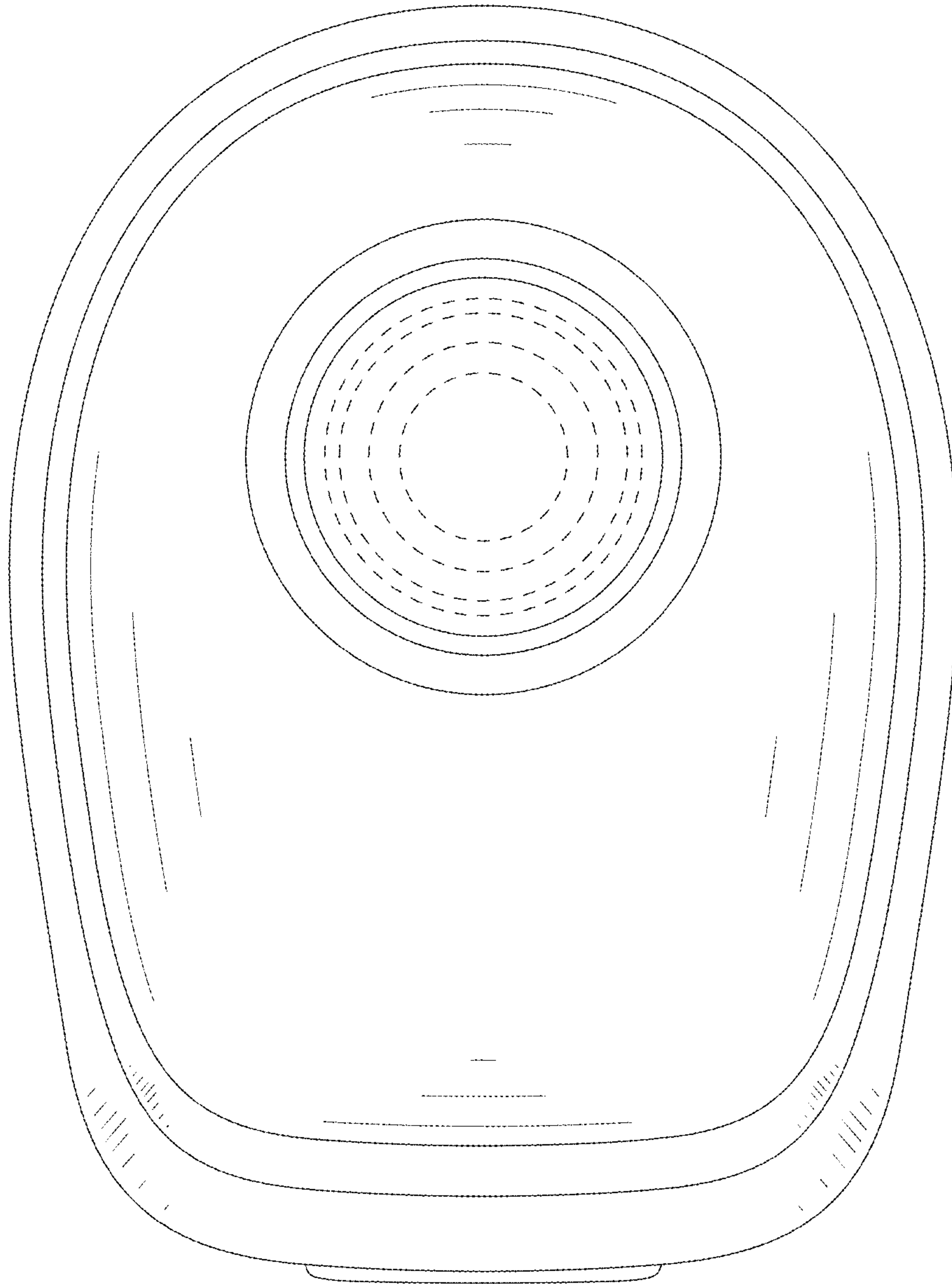


FIG. 31

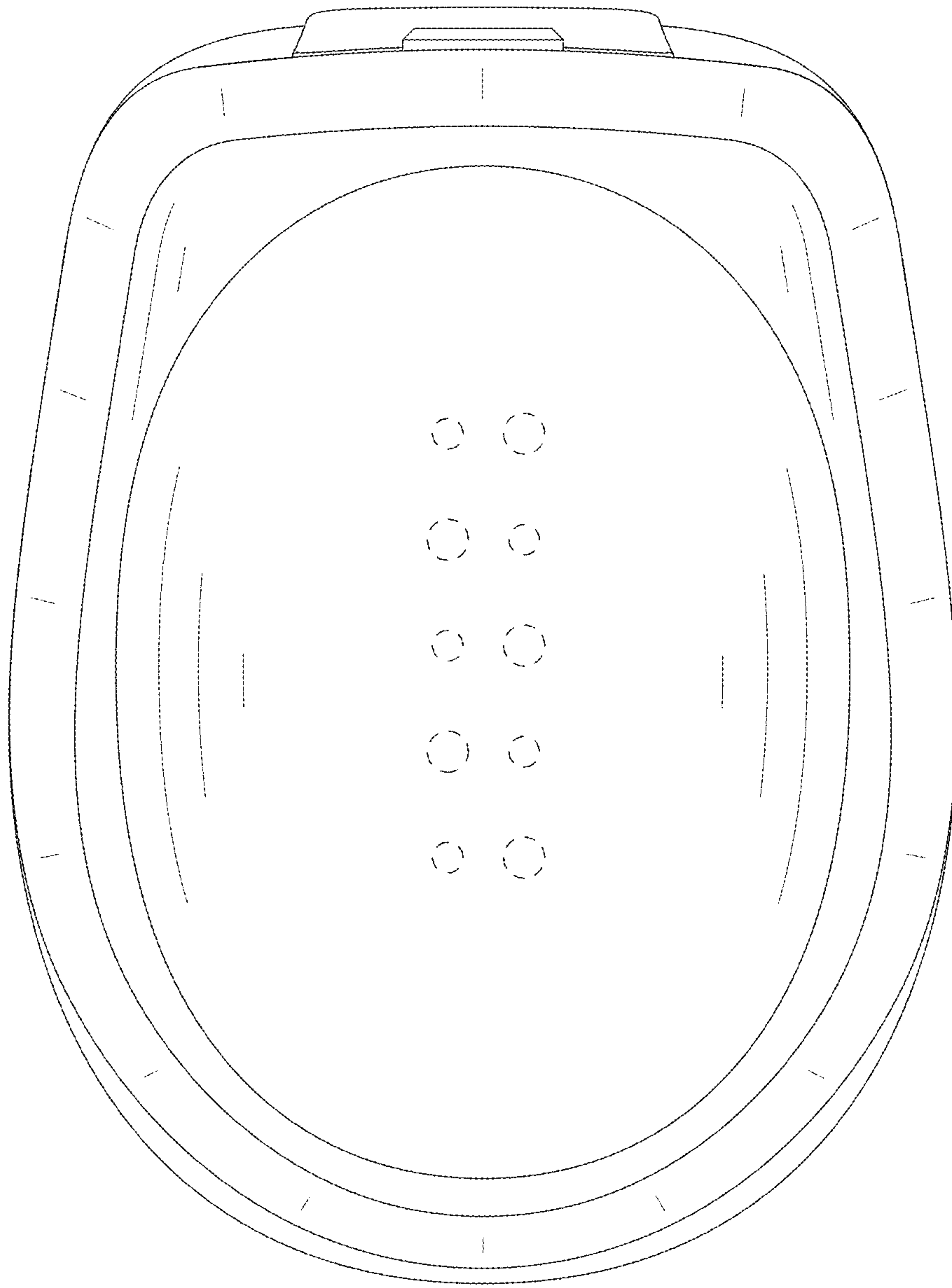


FIG. 32

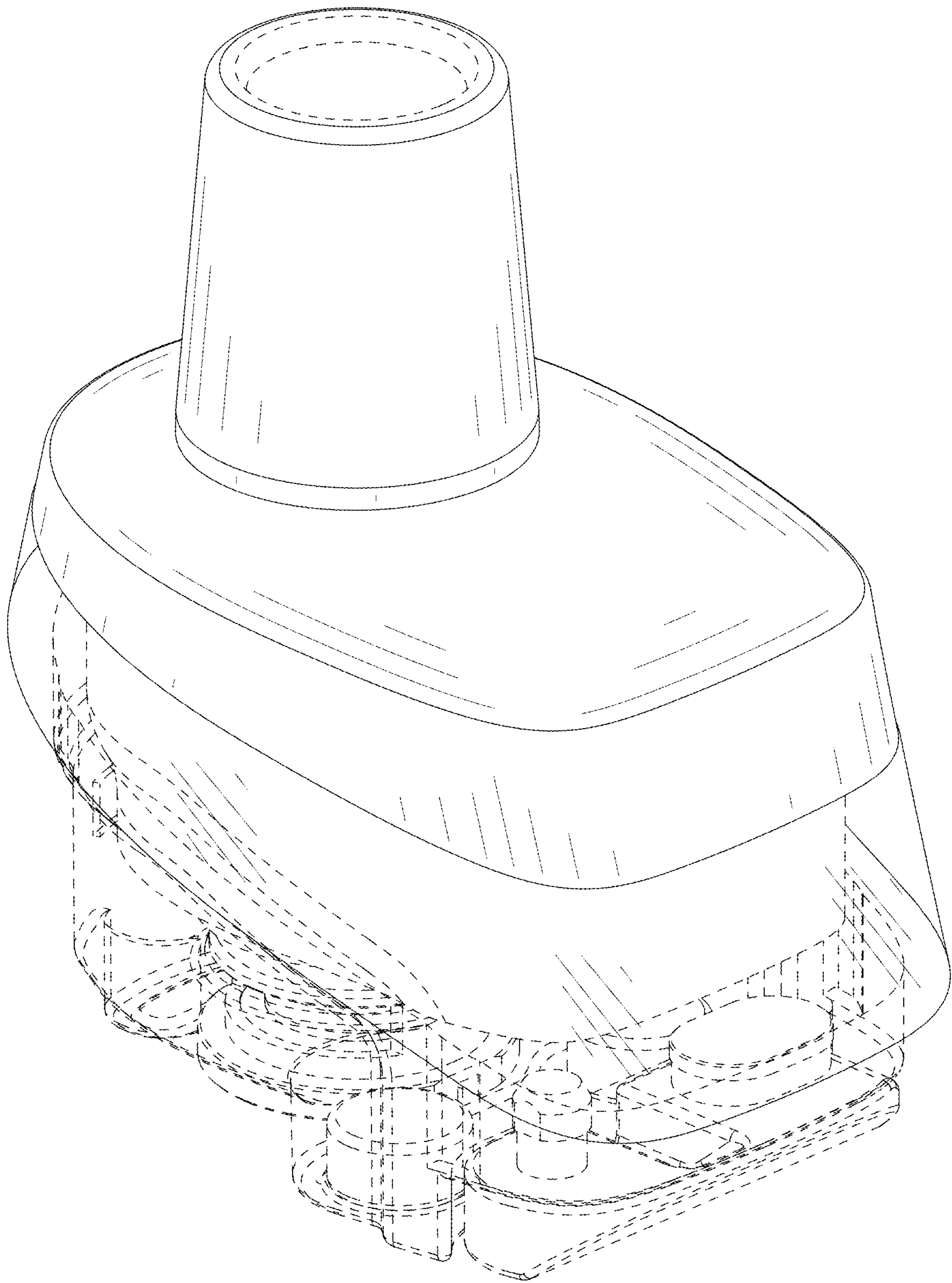


FIG. 33

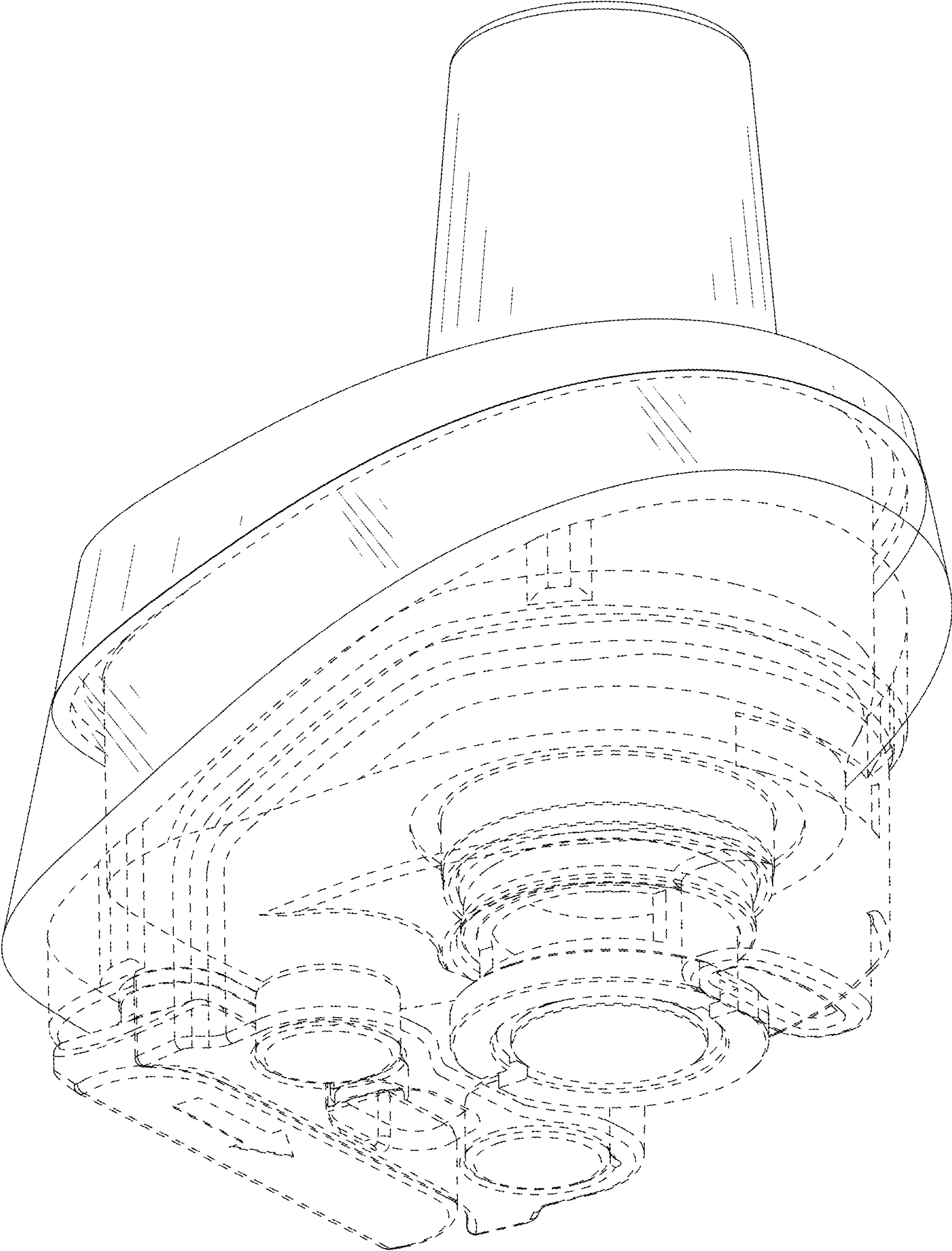


FIG. 34

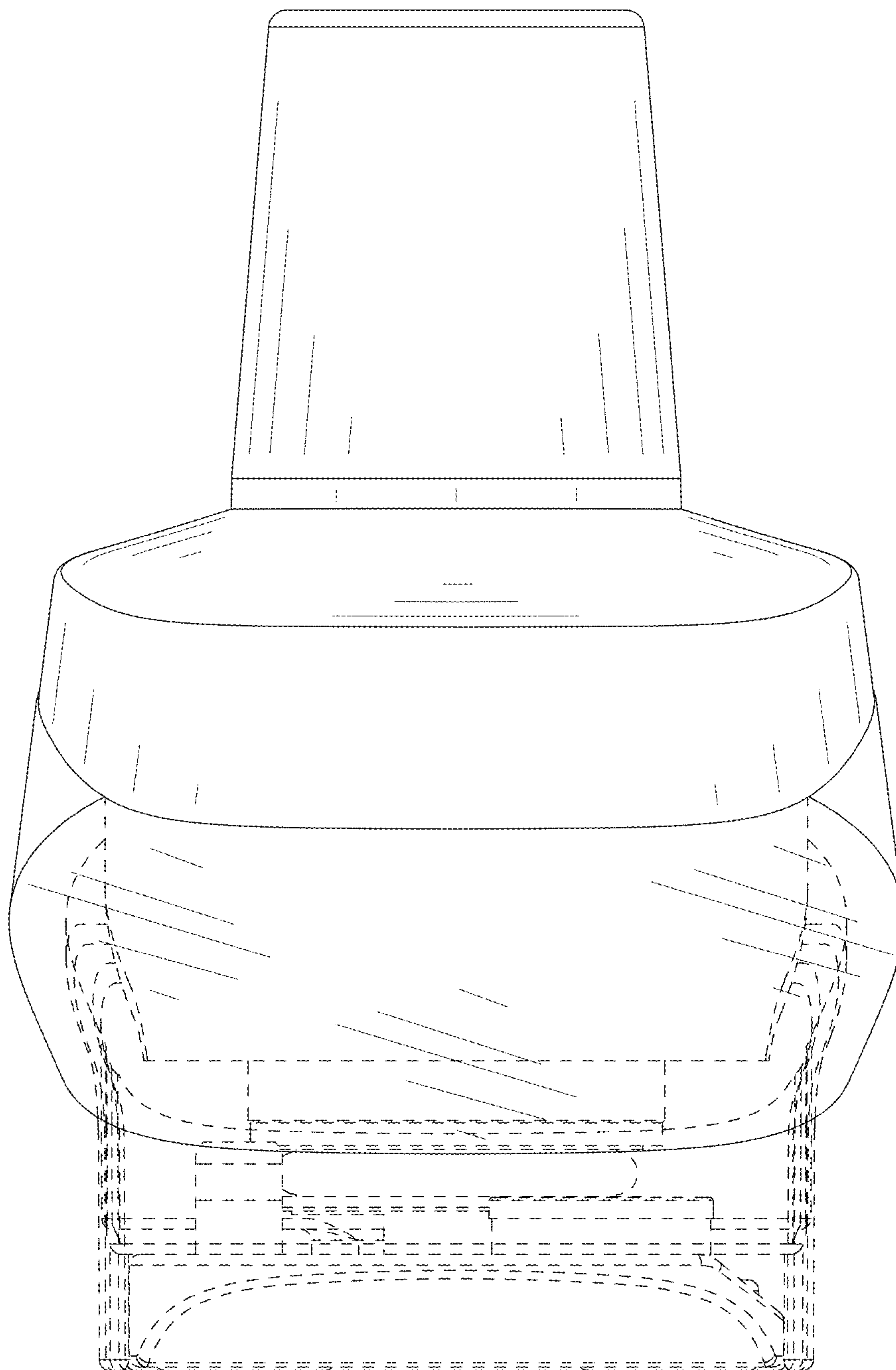


FIG. 35

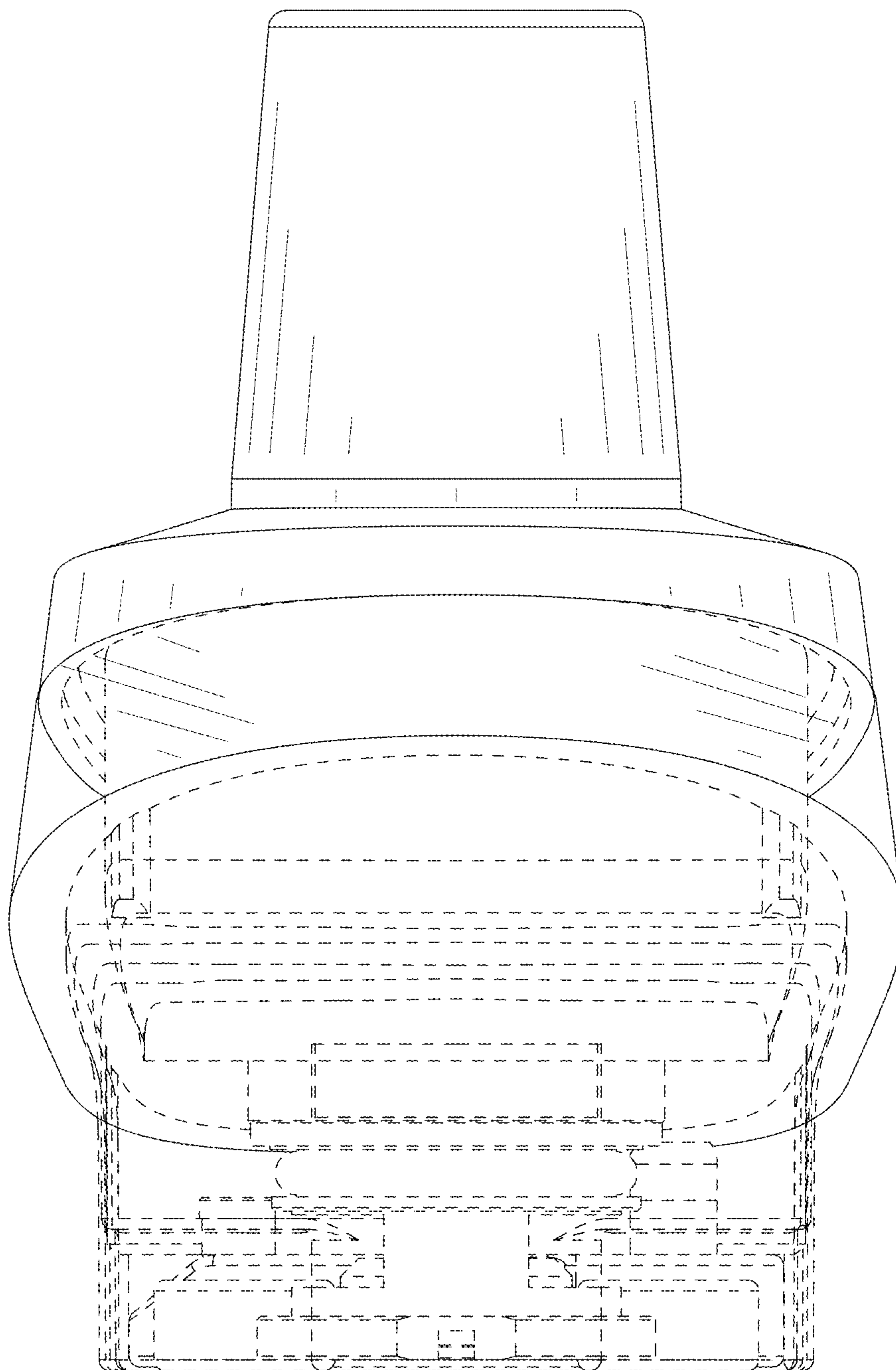


FIG. 36

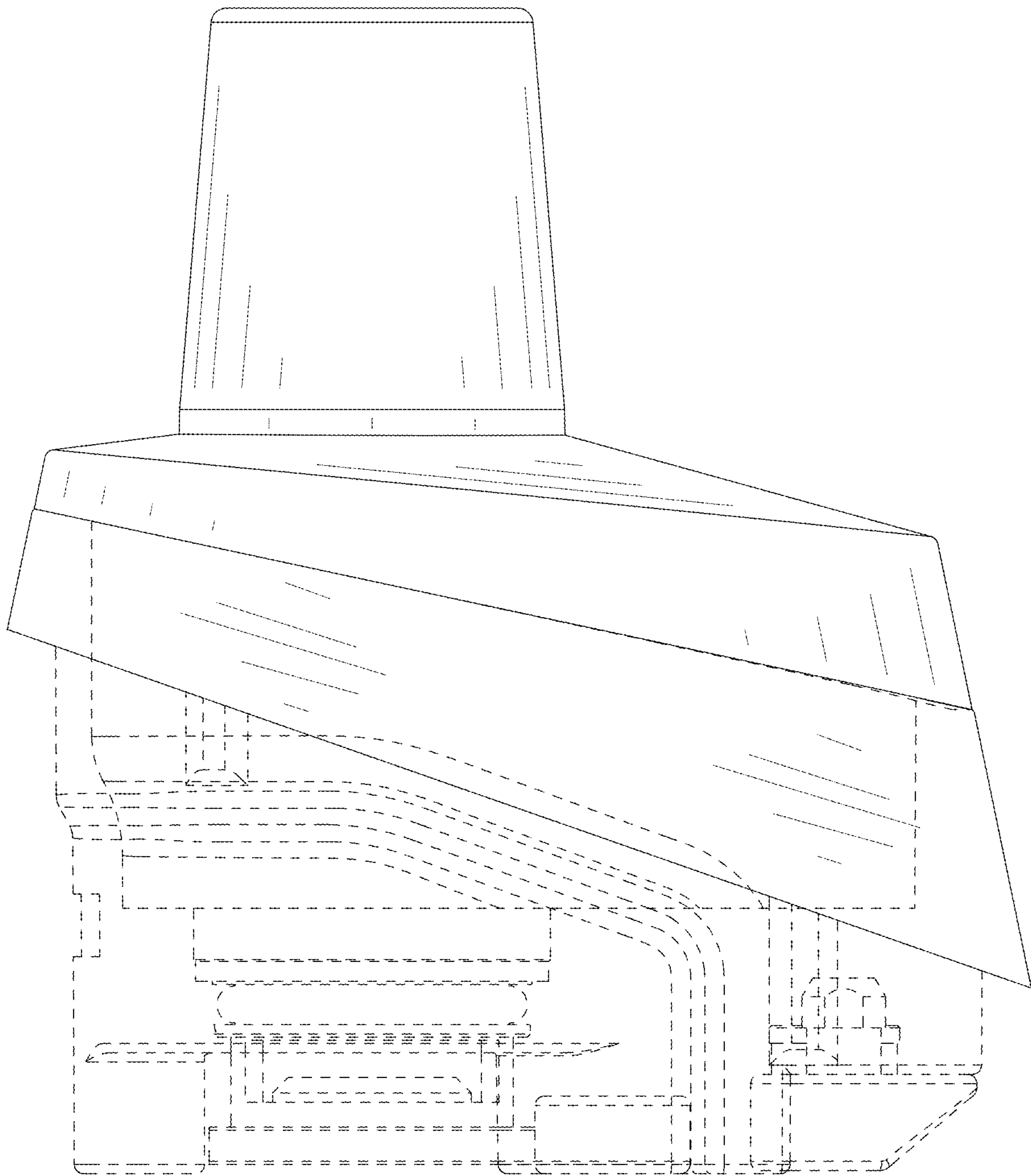


FIG. 37

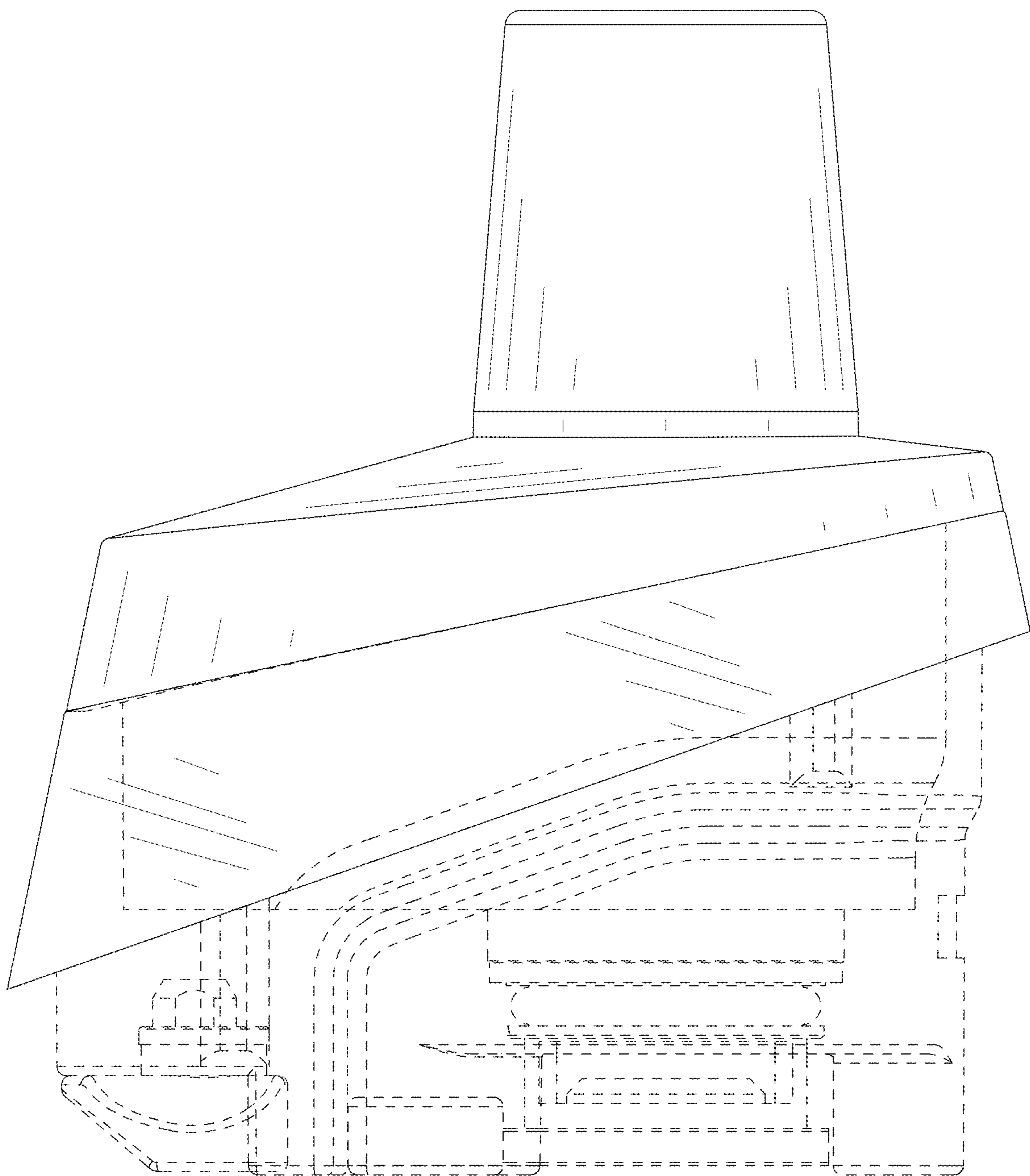


FIG. 38

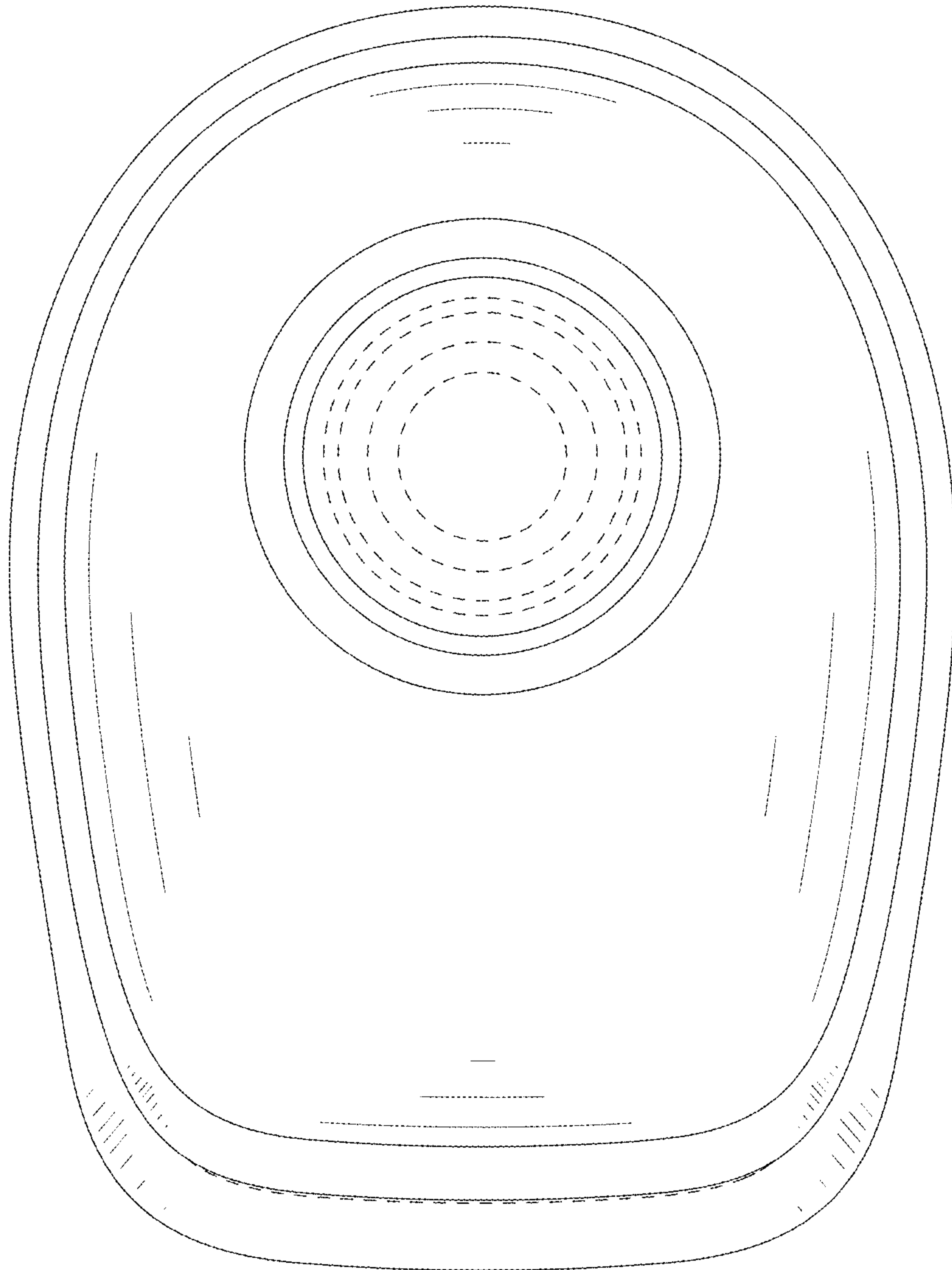


FIG. 39

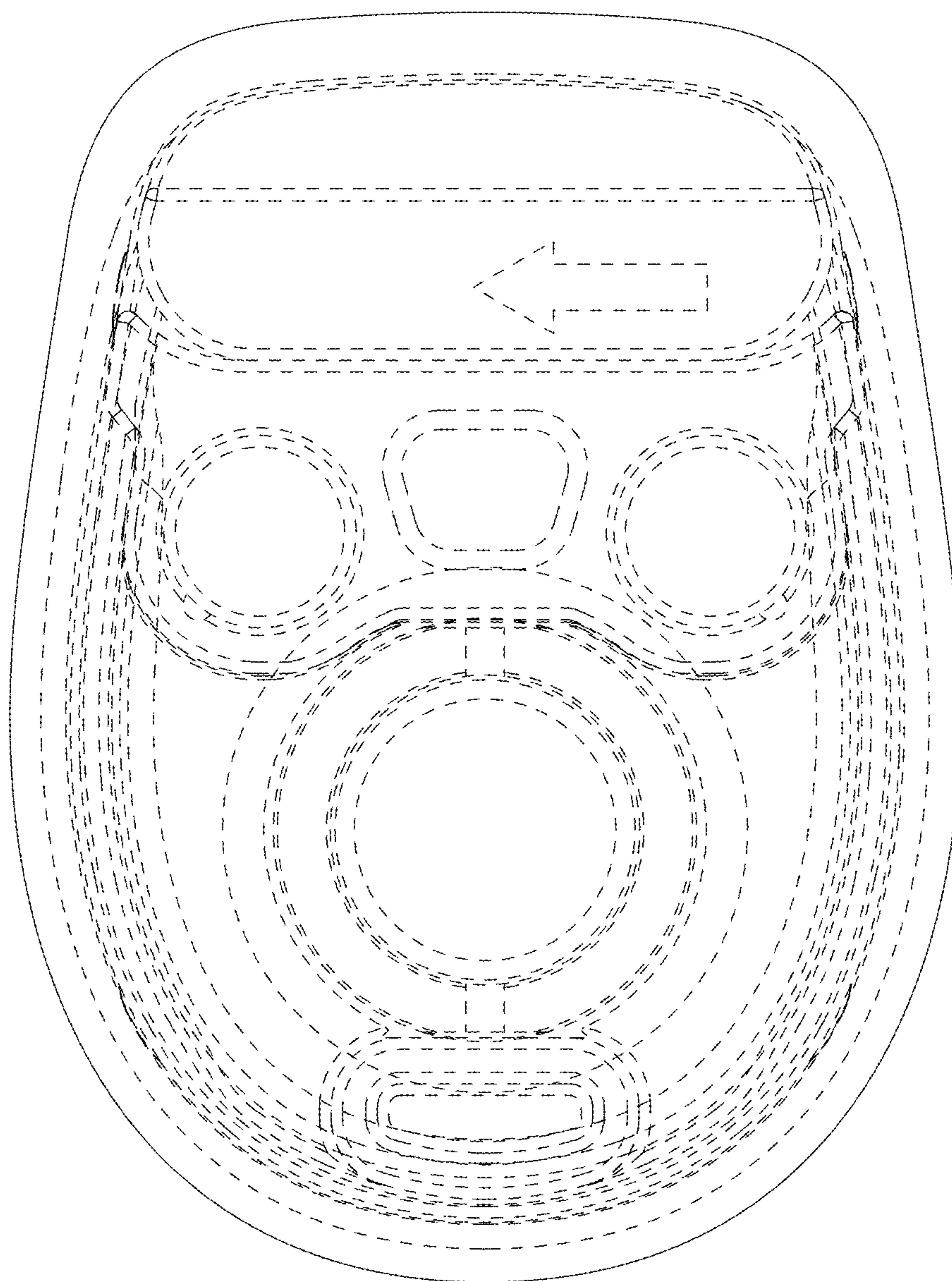


FIG. 40