



US00D950141S

(12) **United States Design Patent** (10) **Patent No.:** **US D950,141 S**
Dong (45) **Date of Patent:** **** Apr. 26, 2022**

(54) **SHEPHERD HOOK**
(71) Applicant: **Nian Tan**
(72) Inventor: **Jian Dong**, Chongqing (CN)
(**) Term: **15 Years**
(21) Appl. No.: **29/787,626**
(22) Filed: **Jun. 8, 2021**
(51) **LOC (13) Cl.** **26-05**
(52) **U.S. Cl.**
USPC **D26/138; D8/367**
(58) **Field of Classification Search**
USPC D26/67, 138, 140, 141, 142, 152;
D8/367, 354, 349
CPC F21S 2/00; F21S 4/00; F21S 4/003; F21S
4/005; F21S 4/006; F21S 4/007; F21S
4/008; F21S 6/00; F21S 8/00; F21S
8/024; F21S 8/026; F21S 8/031; F21S
8/033; F21S 8/035-037; F21S 8/04; F21S
8/043; F21S 8/063; F21V 15/015; F21V
17/02; F21V 17/04; F21V 17/08; F21V
17/06; F21V 17/10
See application file for complete search history.

(56) **References Cited**
U.S. PATENT DOCUMENTS
D337,849 S * 7/1993 Bradley D26/138
D376,443 S * 12/1996 Porter D26/138
D424,912 S * 5/2000 Rehmert D8/367
D470,036 S * 2/2003 Rehmert D8/367

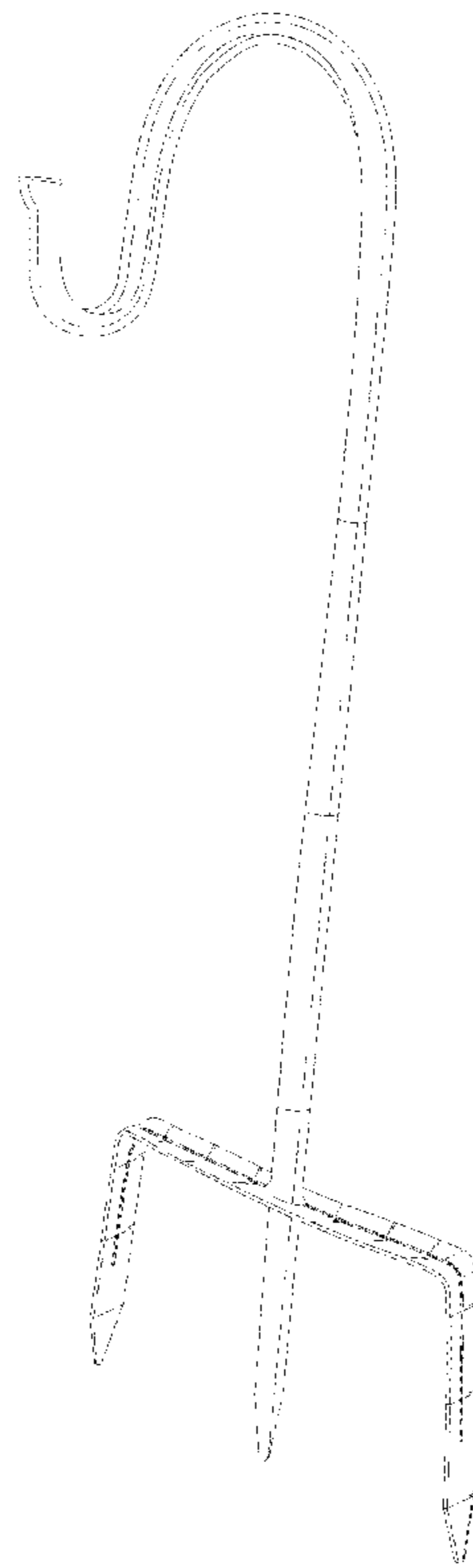
D492,813 S * 7/2004 Meoli D26/138
D591,439 S * 4/2009 Cristoforo D26/39
D599,046 S * 8/2009 Cristoforo D26/39
D649,668 S * 11/2011 Cristoforo D26/38
D664,289 S * 7/2012 Ko D26/138
D668,938 S 10/2012 Morales
D679,920 S * 4/2013 Terol D6/405
D784,119 S 4/2017 Brooks
D804,294 S 12/2017 Bian
D814,909 S 4/2018 Lawson
D847,410 S * 4/2019 Stanley D26/138
D847,617 S * 5/2019 Brooks D8/367

* cited by examiner
Primary Examiner — Natasha Vujcic
(74) *Attorney, Agent, or Firm* — Rumit Ranjit Kanakia

(57) **CLAIM**
I claim the ornamental design for a shepherd hook, as shown and described.

DESCRIPTION
FIG. 1 is a Perspective view of a shepherd hook showing my new design;
FIG. 2 is a Front view thereof;
FIG. 3 is a Back view thereof;
FIG. 4 is a Left-side view thereof;
FIG. 5 is a Right-side view thereof;
FIG. 6 is a Top view thereof;
FIG. 7 is a Bottom view thereof; and,
FIG. 8 is an exposed perspective view thereof.

1 Claim, 7 Drawing Sheets



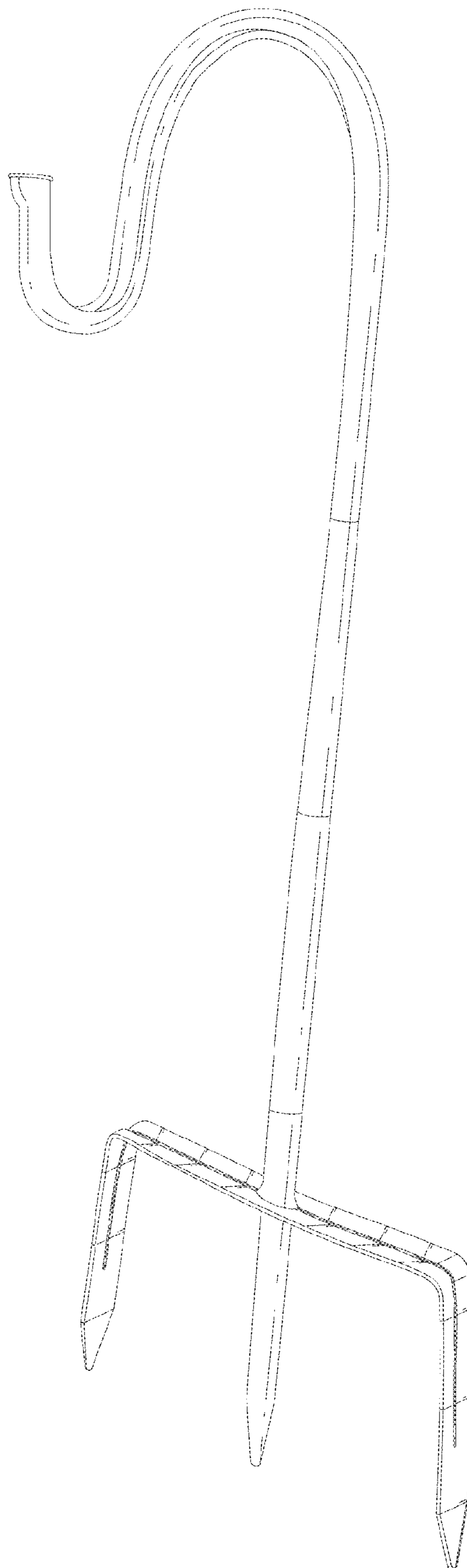


FIG. 1

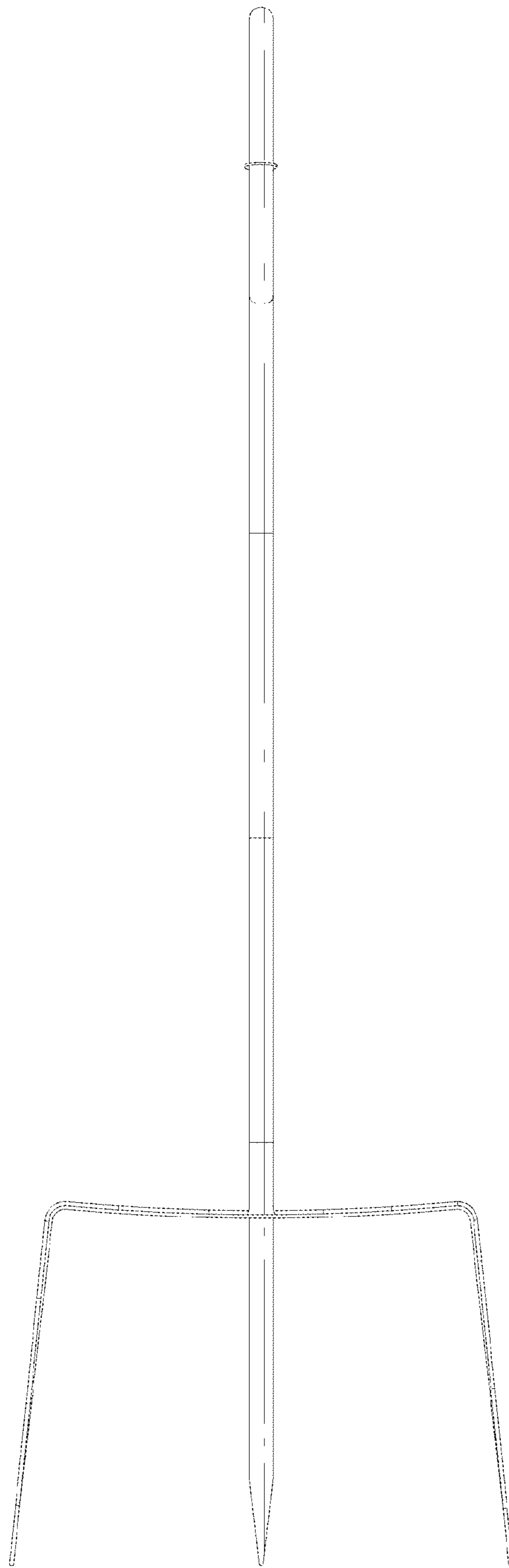


FIG. 2

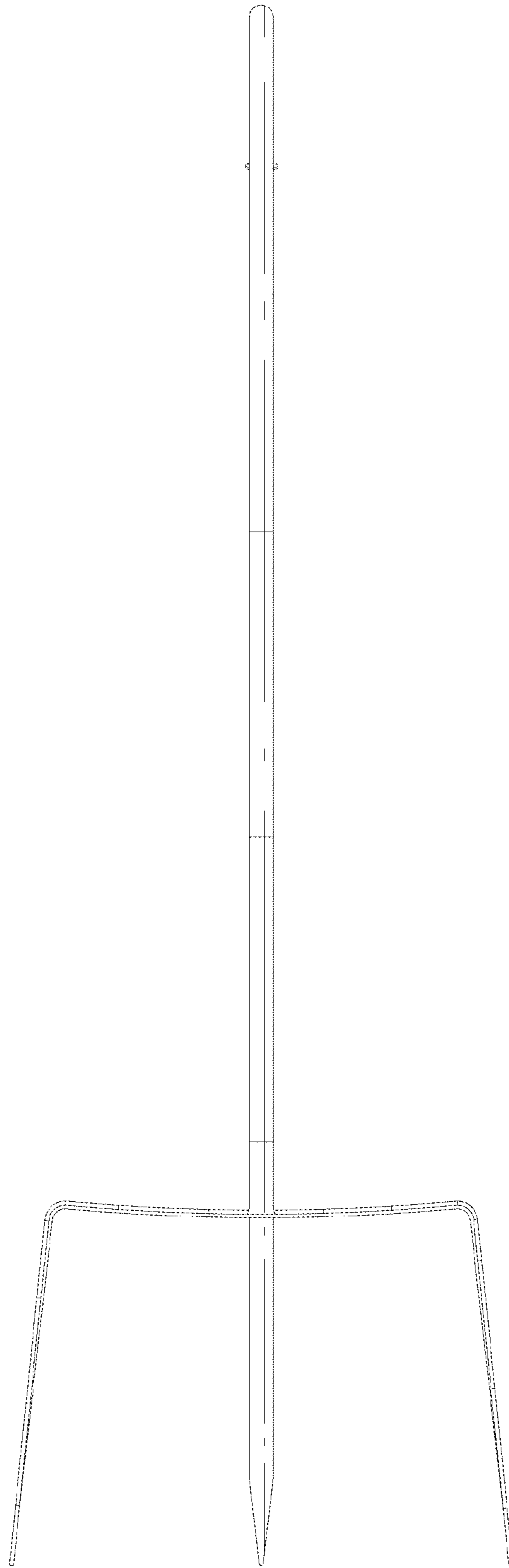


FIG. 3

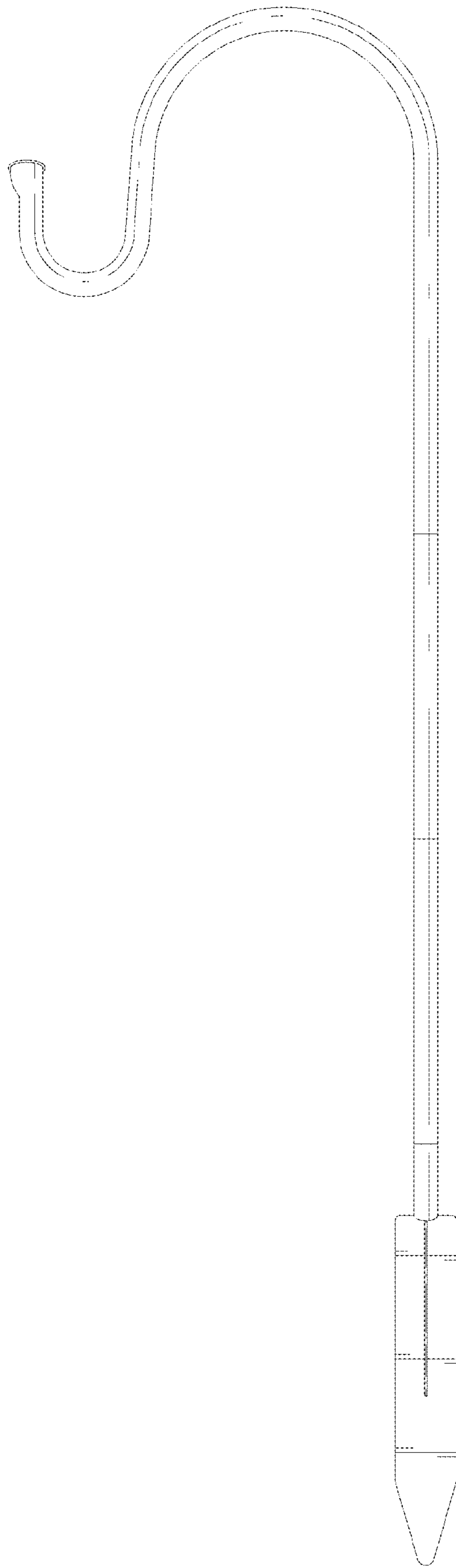


FIG. 4

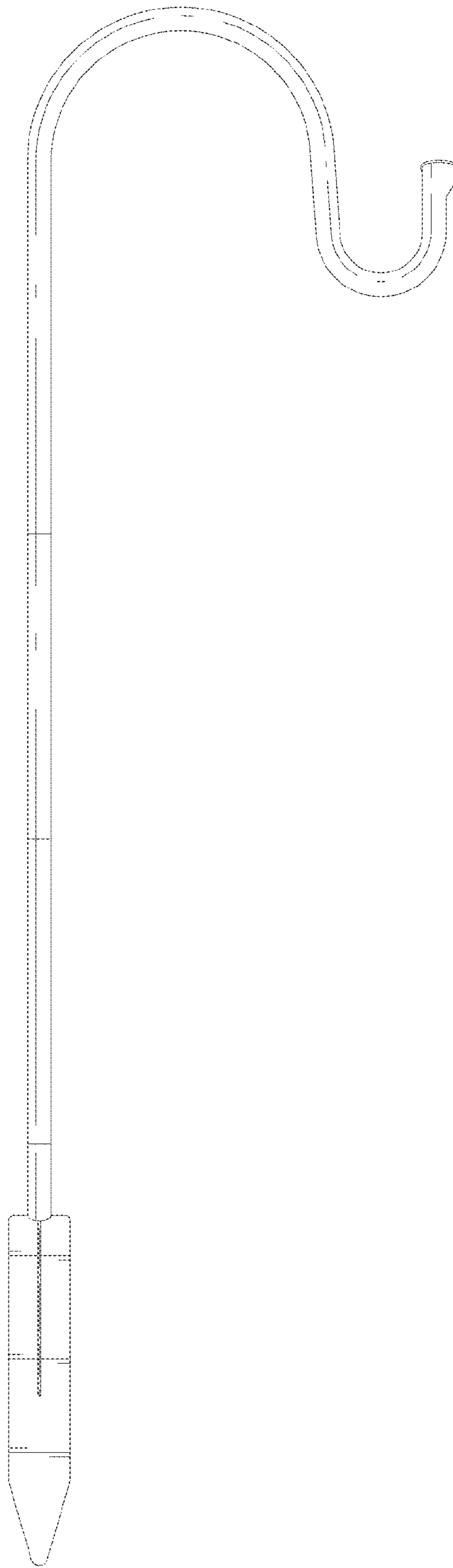


FIG. 5

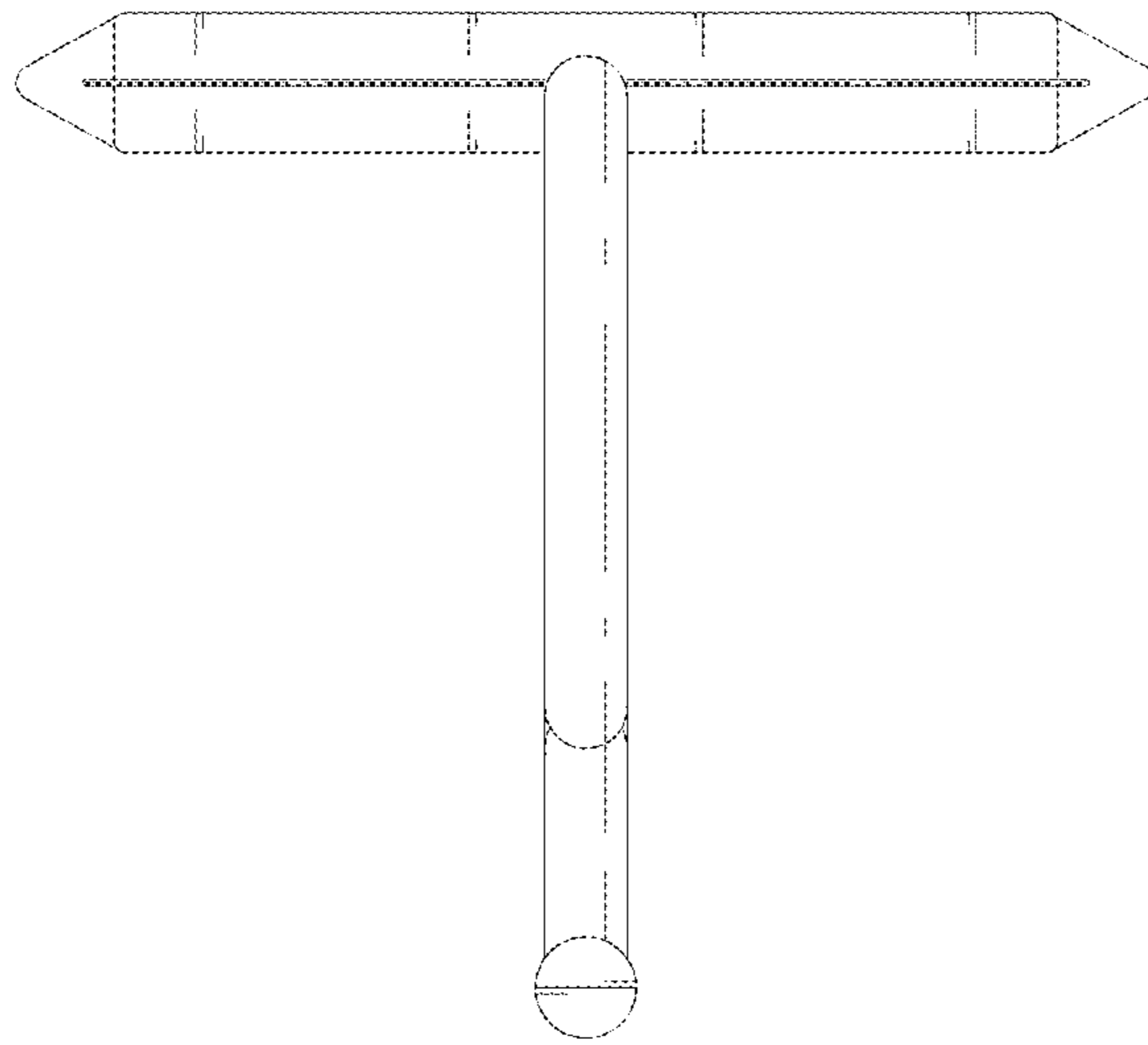


FIG. 6

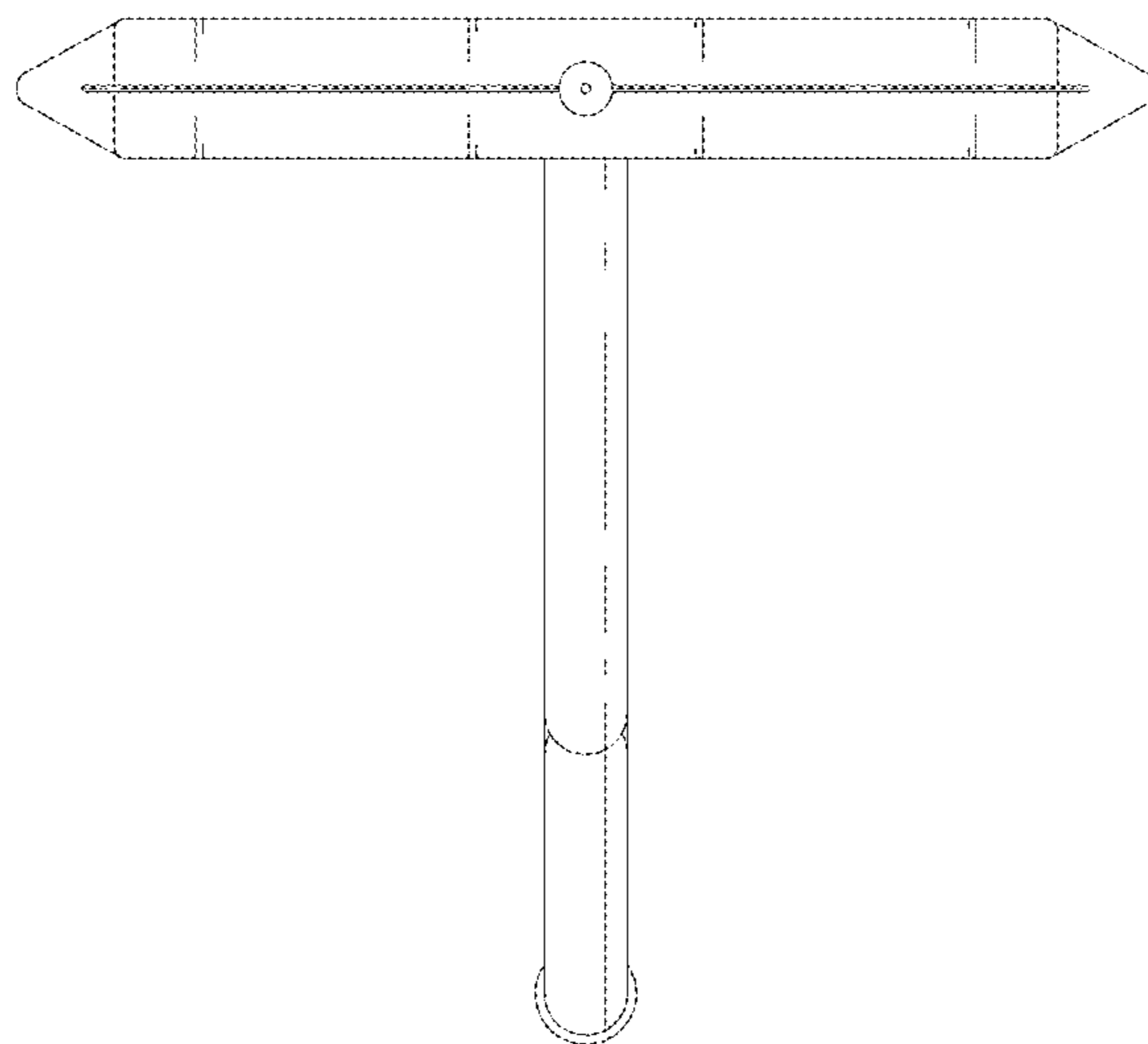


FIG. 7

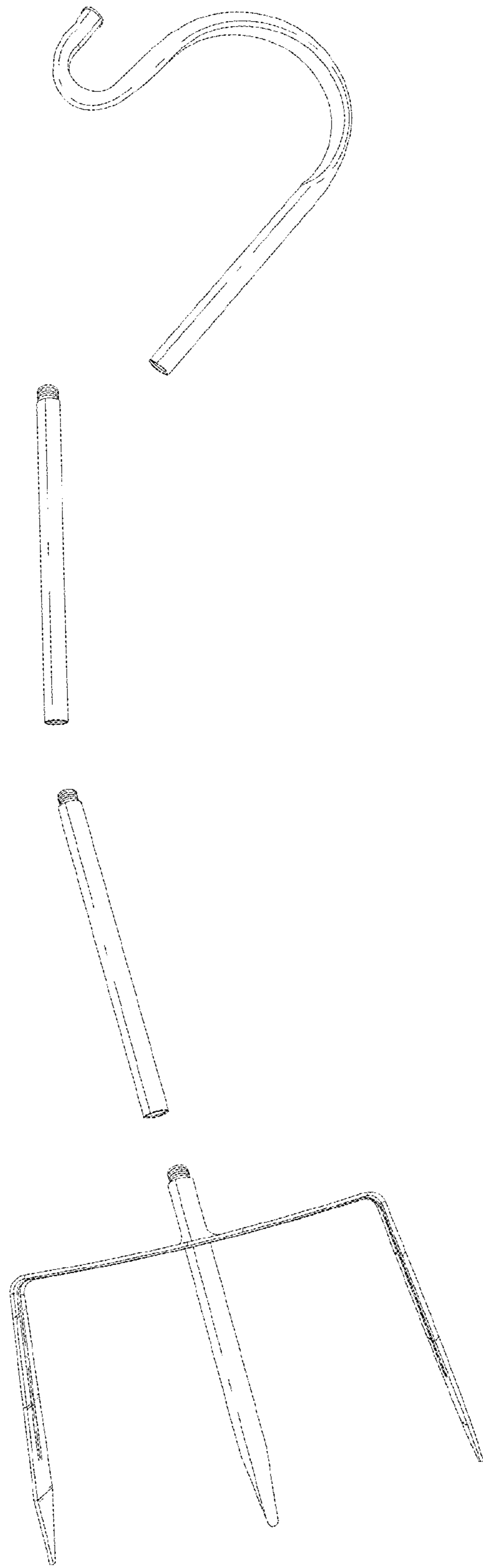


FIG. 8