



US00D950140S

(12) **United States Design Patent** (10) **Patent No.:** **US D950,140 S**
Goossens et al. (45) **Date of Patent:** **** Apr. 26, 2022**

(54) **CORNER BRACES OF A LIGHT FIXTURE HOUSING**

D925,818 S * 7/2021 Pan D26/141
D929,031 S * 8/2021 Sieczkowski D26/138
2004/0107667 A1* 6/2004 White B62B 3/16
52/657

(71) Applicant: **Electronic Theatre Controls, Inc.**,
Middleton, WI (US)

(Continued)

(72) Inventors: **Joe Goossens**, Middleton, WI (US);
Jon Rasche, Middleton, WI (US);
Charles Xu, Middleton, WI (US); **Zack Zlevor**, Middleton, WI (US)

FOREIGN PATENT DOCUMENTS

CN 202030559489.2 * 5/2021

(73) Assignee: **Electronic Theatre Controls, Inc.**,
Middleton, WI (US)

OTHER PUBLICATIONS

Amazon, "Richelieu Hardware BP954278900 Traditional Corner Bracket", first available Aug. 11, 2016. (<https://www.amazon.com/Richelieu-Hardware-BP954278900-Traditional-Decorative/dp/B01K7OF1YS/>) (Year: 2016).*

(Continued)

(**) Term: **15 Years**

Primary Examiner — Lauren D McVey

(21) Appl. No.: **29/720,714**

Assistant Examiner — Justin A Johnson

(22) Filed: **Jan. 15, 2020**

(74) *Attorney, Agent, or Firm* — Michael Best & Friedrich LLP

(51) **LOC (13) Cl.** **26-05**

(52) **U.S. Cl.**
USPC **D26/138**

(58) **Field of Classification Search**
USPC ... D26/1, 24, 37, 46, 48, 50, 61, 62, 63, 64,
D26/93, 113, 118, 138, 141, 152, 155
CPC F21S 2/00; F21S 8/00; F21H 1/00; F21H
1/02; F21H 1/04; F21H 5/00; F21L 2/00
See application file for complete search history.

(57) **CLAIM**

We claim the ornamental design for a corner braces of a light fixture housing, as shown and described.

DESCRIPTION

(56) **References Cited**

U.S. PATENT DOCUMENTS

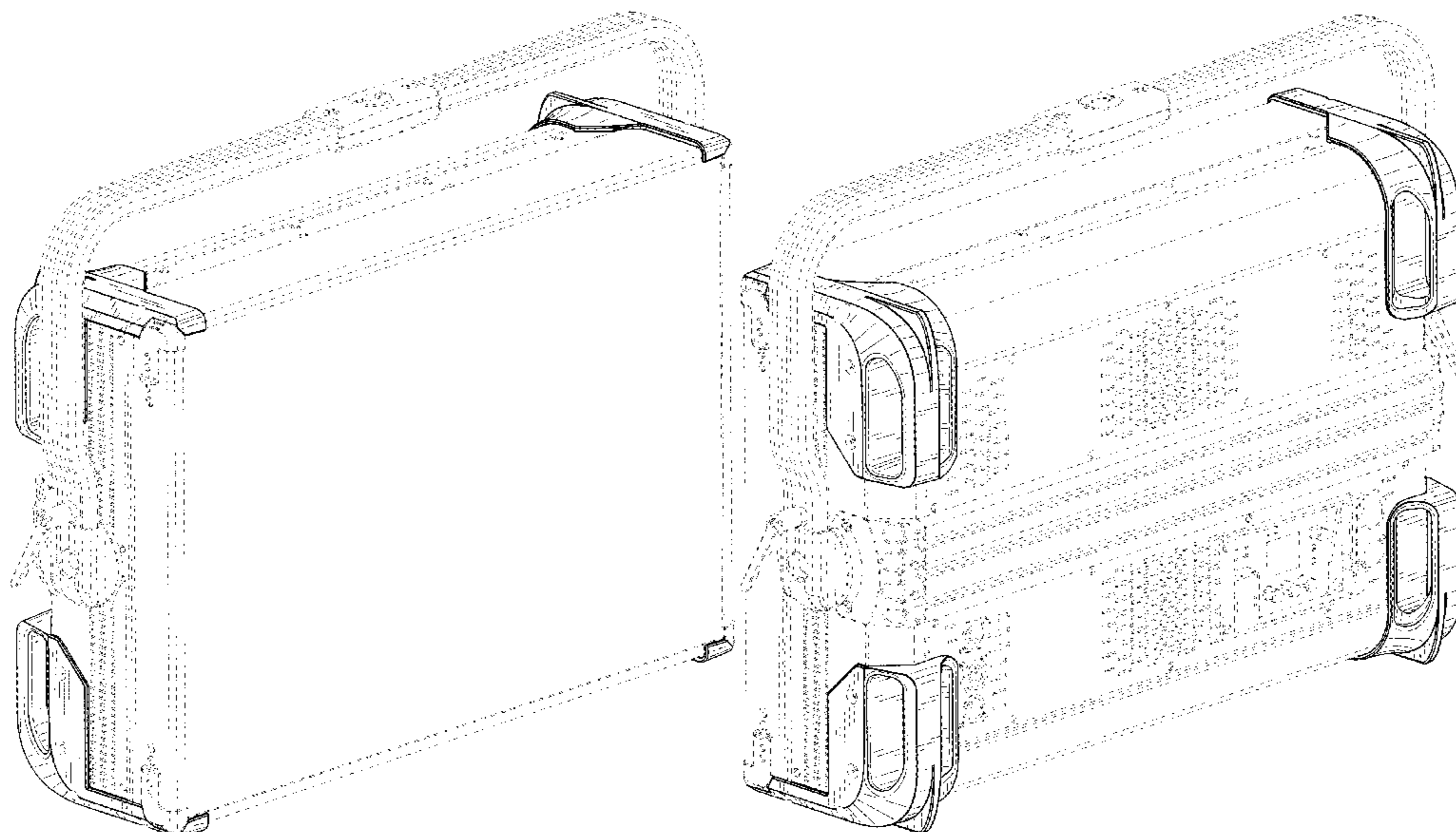
D570,037 S * 5/2008 Hartman D26/138
D634,471 S * 3/2011 Hsieh D26/118
D697,663 S * 1/2014 Speier D26/118
D738,555 S * 9/2015 Kjaergaard D26/63
D749,775 S * 2/2016 Provitola D26/118
D767,188 S * 9/2016 Jigamian D26/50
D800,374 S * 10/2017 Klus D26/118
D903,188 S * 11/2020 Kruger D26/138
D912,867 S * 3/2021 Qiu D26/63

FIG. 1 is a front perspective view of a corner braces of a light fixture housing showing my new design.
FIG. 2 is a rear perspective view of the design shown in FIG. 1.

FIG. 3 is a right side view of the design shown in FIG. 1.
FIG. 4 is a left side view of the design shown in FIG. 1.
FIG. 5 is a rear view of the design shown in FIG. 1.
FIG. 6 is a top view of the design shown in FIG. 1; and
FIG. 7 is a bottom view of the design shown in FIG. 1.

The broken lines immediately adjacent to the shaded areas depict the bounds of the claimed design, while all other broken lines are directed to environment. The broken lines form no part of the claimed design.

1 Claim, 6 Drawing Sheets



(56)

References Cited

U.S. PATENT DOCUMENTS

2007/0187412 A1* 8/2007 Gruskin B65D 25/2897
220/500

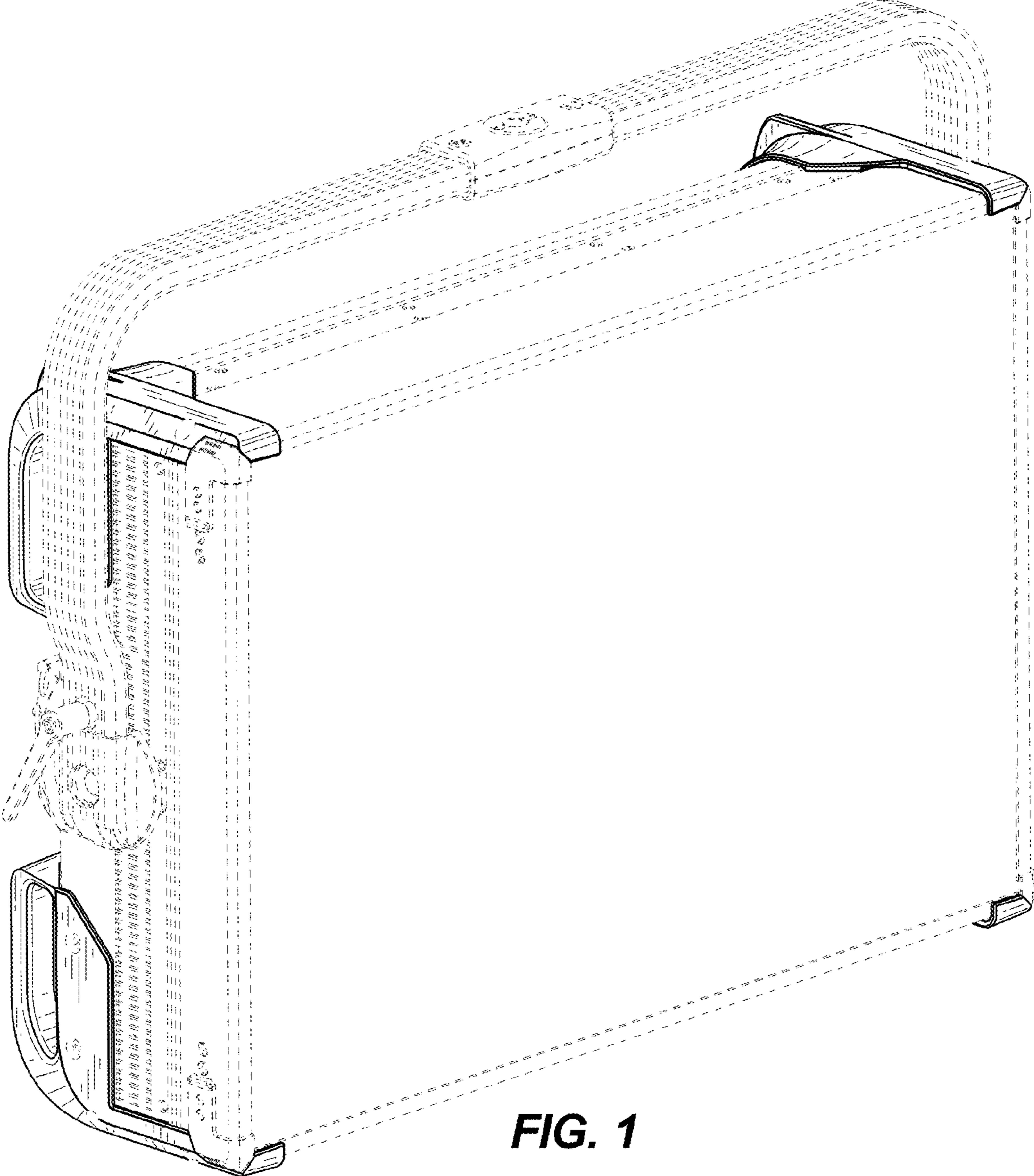
OTHER PUBLICATIONS

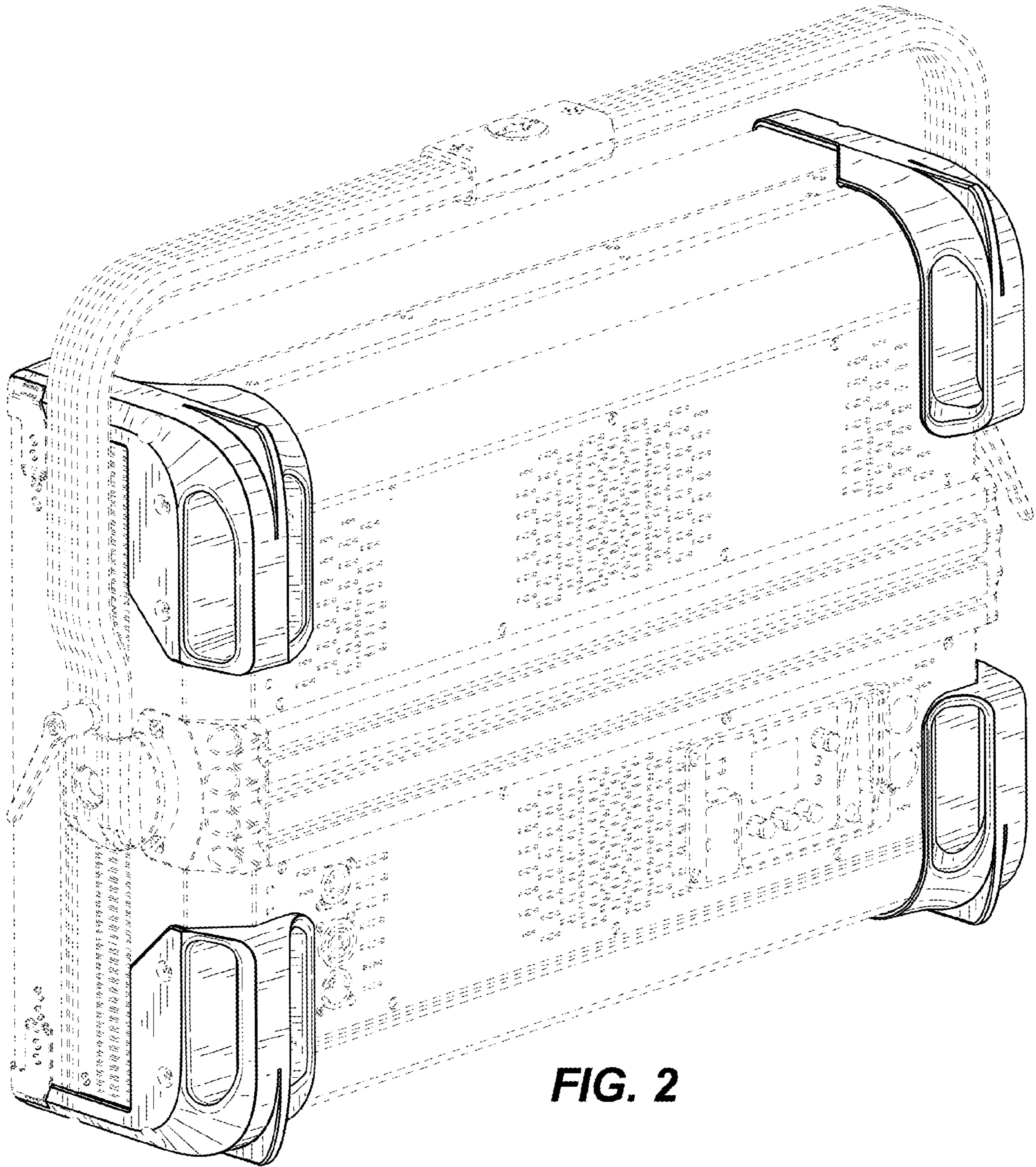
Instagram, "electronictheatrecontrols", first available Jan. 15, 2020.
(https://www.instagram.com/p/B7V_pQMpUVU/) (Year: 2020).*

Amazon, "4 Pcs 2.4x2.9x1.8 Inch Foldable Support Bracket", first
available Mar. 1, 2021. (<https://www.amazon.com/dp/B08XQWYV3W/>)
(Year: 2021).*

Amazon, "OTTF 10 Pcs 2 1/8x4 1/2 In Surface Mount Corner Bracket",
first available Feb. 8, 2021. ([https://www.amazon.com/dp/
B08W4XTPN9/](https://www.amazon.com/dp/B08W4XTPN9/)) (Year: 2021).*

* cited by examiner





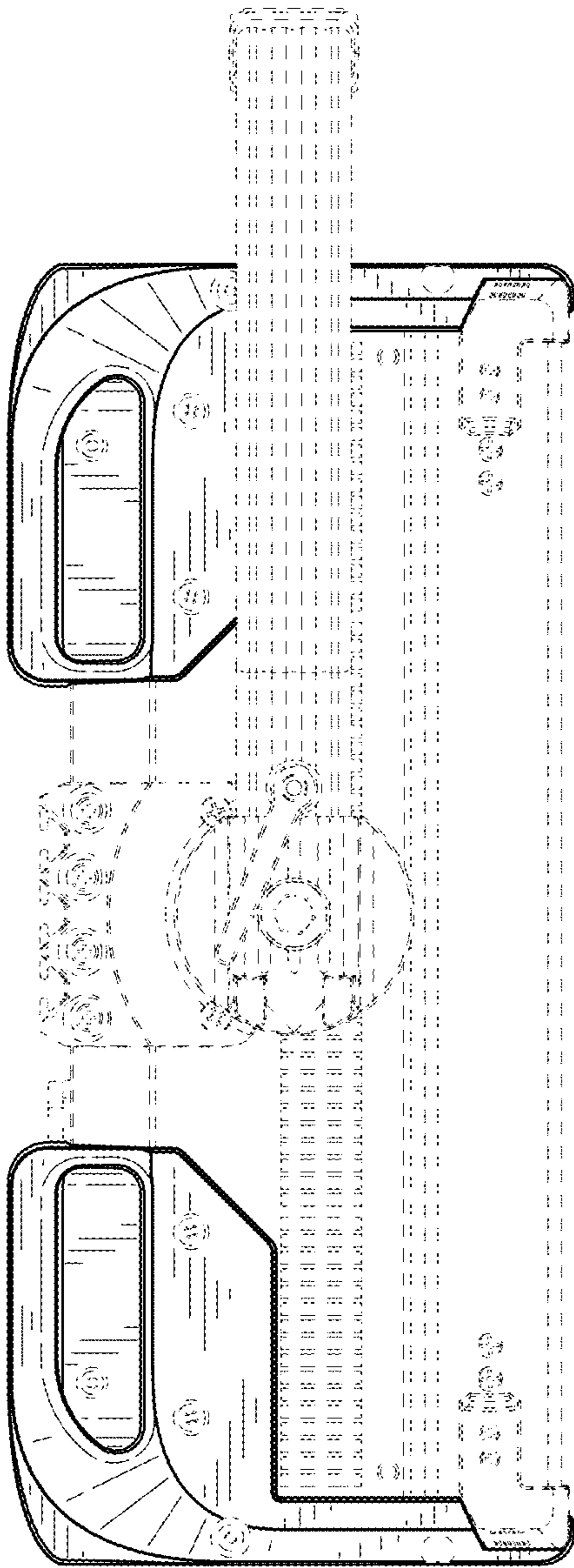


FIG. 3

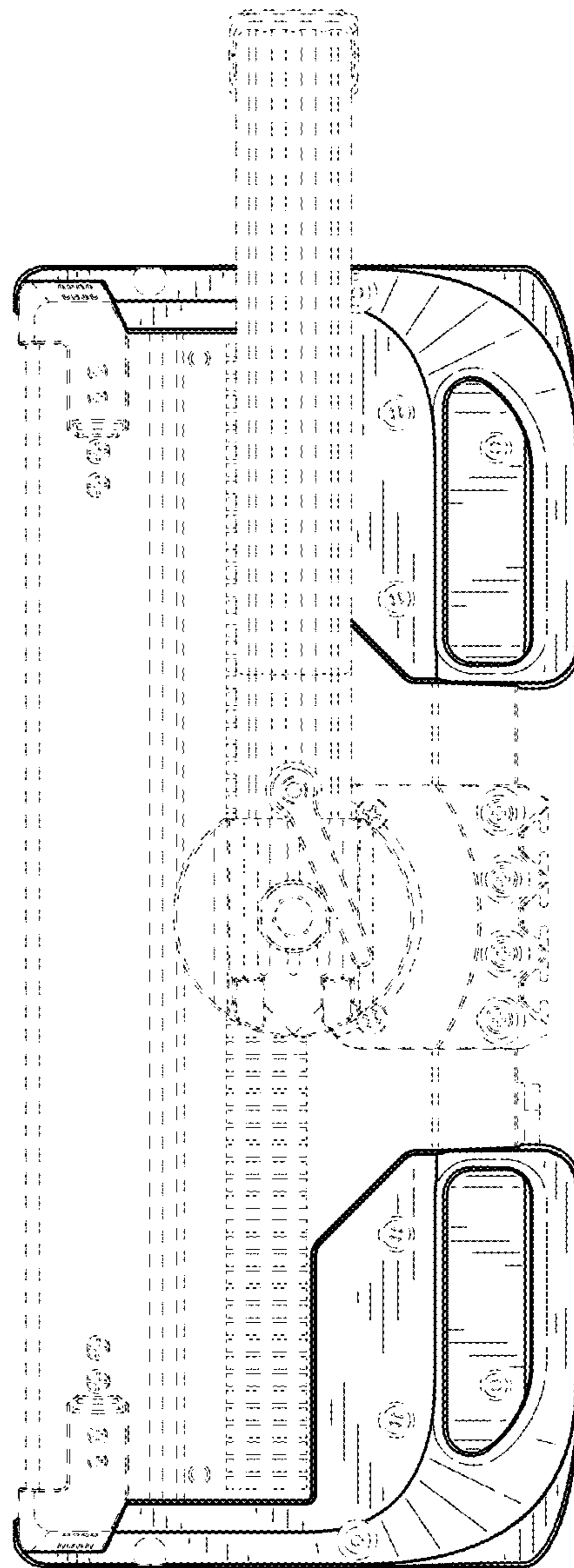


FIG. 4

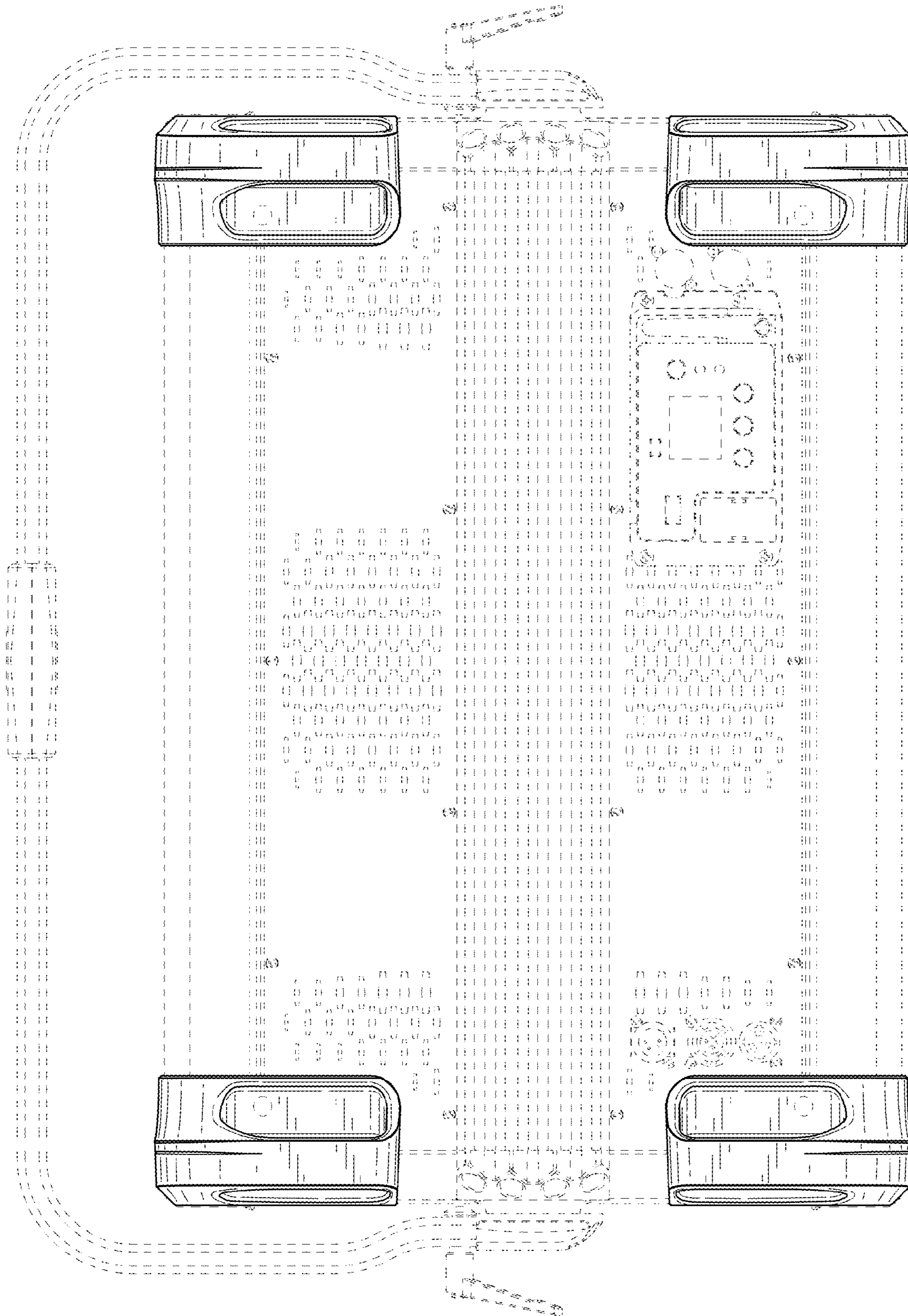


FIG. 5

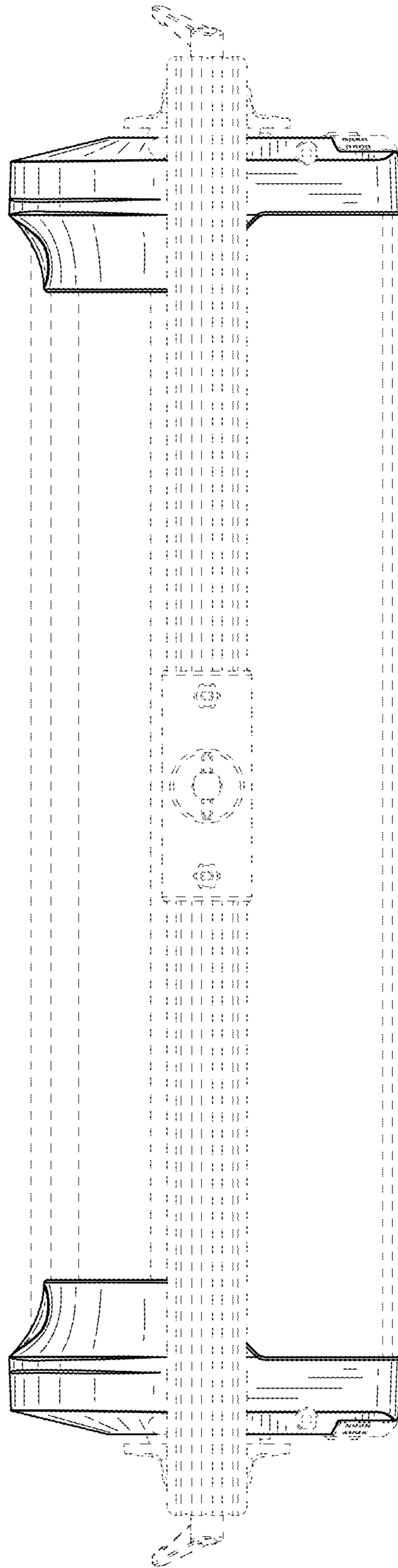


FIG. 6

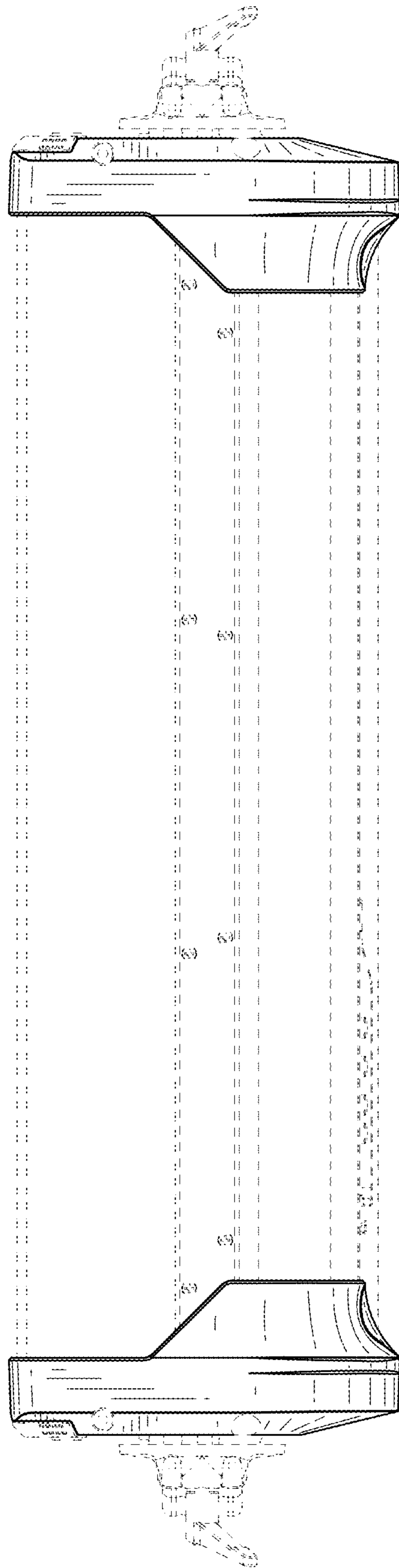


FIG. 7