



US00D950139S

(12) **United States Design Patent** (10) **Patent No.:** **US D950,139 S**
Hsu (45) **Date of Patent:** **** Apr. 26, 2022**

(54) **GROUND INSERT**

(71) Applicant: **Dong Guan Jia Sheng Lighting Technology Co., Ltd. China,**
Dong-Guna (CN)

(72) Inventor: **Kevin Hsu,** Taichung (TW)

(73) Assignee: **Dong Guan Jia Sheng Lighting Technology Co., Ltd. China,**
Guang-Dong (CN)

(**) Term: **15 Years**

(21) Appl. No.: **29/735,602**

(22) Filed: **May 22, 2020**

(51) **LOC (13) Cl.** **26-04**

(52) **U.S. Cl.**
USPC **D26/113**

(58) **Field of Classification Search**
USPC D7/409; D8/349, 382, 386, 388, 389,
D8/394, 396, 399; D10/164; D11/220;
D12/180; D13/179; D26/67, 113
CPC F16B 37/048; F16B 37/04; B21D 53/24;
H01H 9/02; E02D 29/14; E02D 5/80;
A45C 13/10; E04H 12/22
See application file for complete search history.

(56) **References Cited**

U.S. PATENT DOCUMENTS

D272,392 S *	1/1984	Bigelow	280/86.753
D315,667 S *	3/1991	Johnson	D10/64
D367,438 S *	2/1996	Schriever	D11/220
5,993,320 A *	11/1999	Selle	B21D 53/24 470/18
D555,109 S *	11/2007	Lee	D13/179
D751,238 S *	3/2016	Siuvatti	D26/113
D757,892 S *	5/2016	Walker	D23/213
D833,930 S *	11/2018	Curtin	D12/180
D884,568 S *	5/2020	Curtin	D12/180
D917,263 S *	4/2021	Kennedy	D8/349

D921,474 S *	6/2021	Borst	D8/349
D925,979 S *	7/2021	Licata	D7/409
2008/0069660 A1 *	3/2008	Selle	F16B 37/048 411/179

OTHER PUBLICATIONS

Skate Pro, Date: Not Available, [online], [site visited [Oct. 18, 2021]. Available from internet, URL: <https://www.skatepro.com/en-us/109-36398.htm> (Year: 2021).*

Elbese, Date: Jan. 14, 2017, [online], [site visited [Oct. 20, 2021]. Available from internet, URL: <https://www.amazon.com/Elbese-Three-Drawing-Universal-Wooden/dp/B01N23DVVE> (Year: 2017).*

Bolt Dropper, Date: Mar. 12, 2017, [online], [site visited [Oct. 20, 2021]. Available from internet, URL: <https://www.amazon.com/Bolt-Dropper-Pronged-Climbing-Cabinetry/dp/B01MSVU3WF> (Year: 2017).*

* cited by examiner

Primary Examiner — Shawn T Gingrich
Assistant Examiner — Bryan Nolan Melvin
(74) *Attorney, Agent, or Firm* — Karin L. Williams; Alan D. Kamrath; Mayer & Williams PC

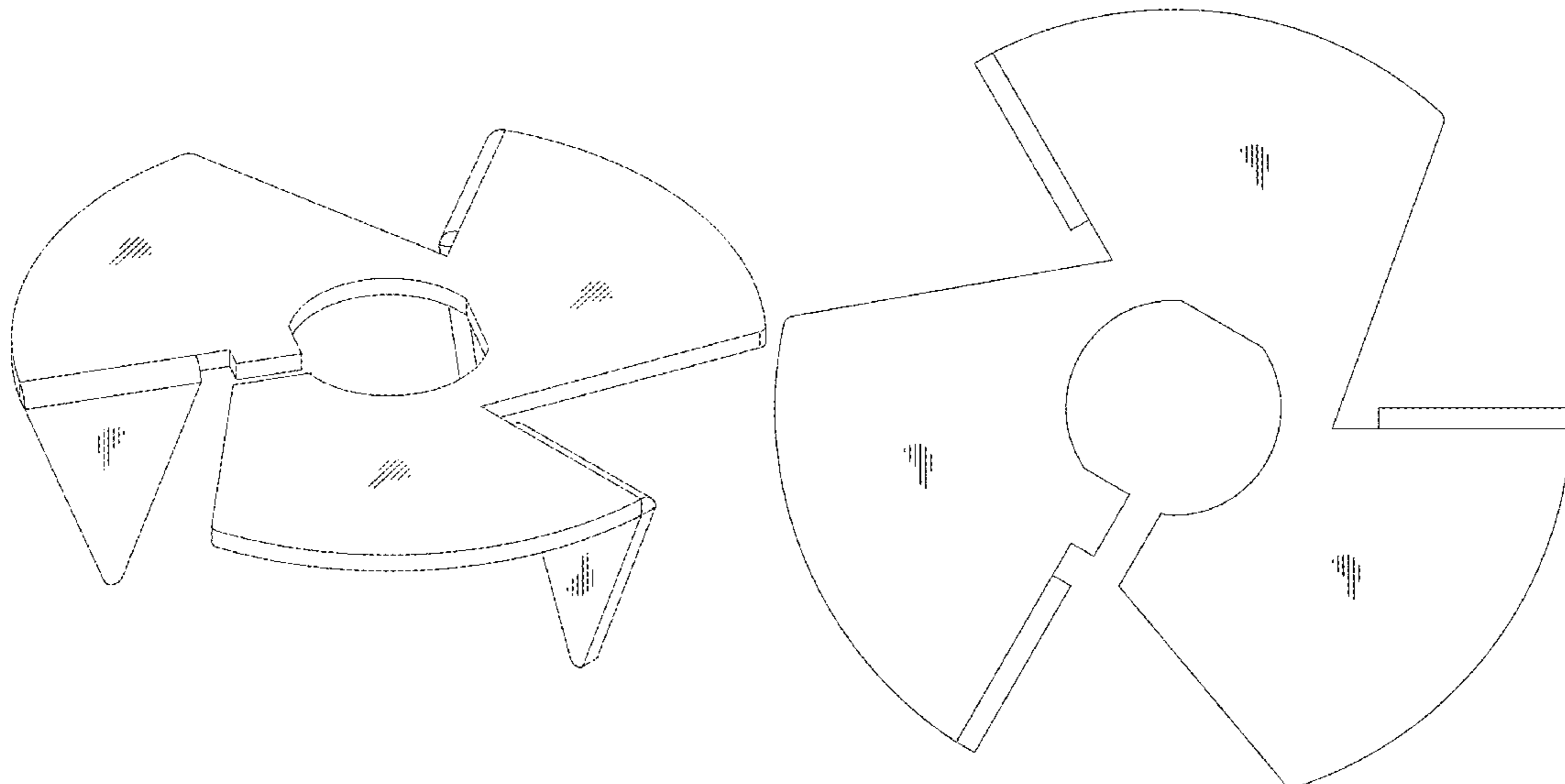
(57) **CLAIM**

The ornamental design for a ground insert, as shown and described.

DESCRIPTION

FIG. 1 is a perspective view of a ground insert showing my design.
FIG. 2 is a front elevational view thereof.
FIG. 3 is a rear elevational view thereof.
FIG. 4 is a left side elevational view thereof.
FIG. 5 is a right side elevational view thereof.
FIG. 6 is a top plan view thereof; and,
FIG. 7 is a bottom plan view thereof.

1 Claim, 5 Drawing Sheets



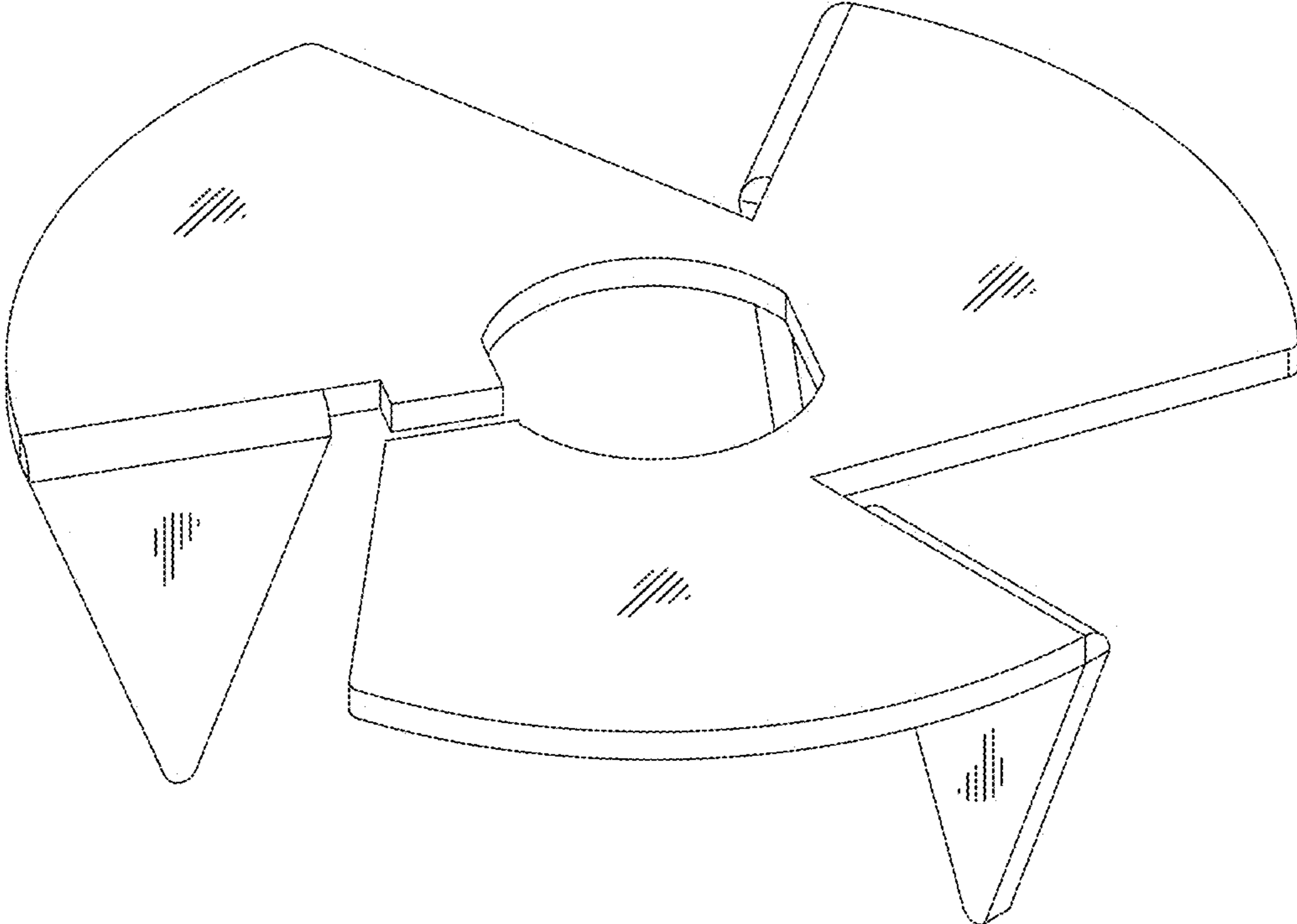


FIG. 1

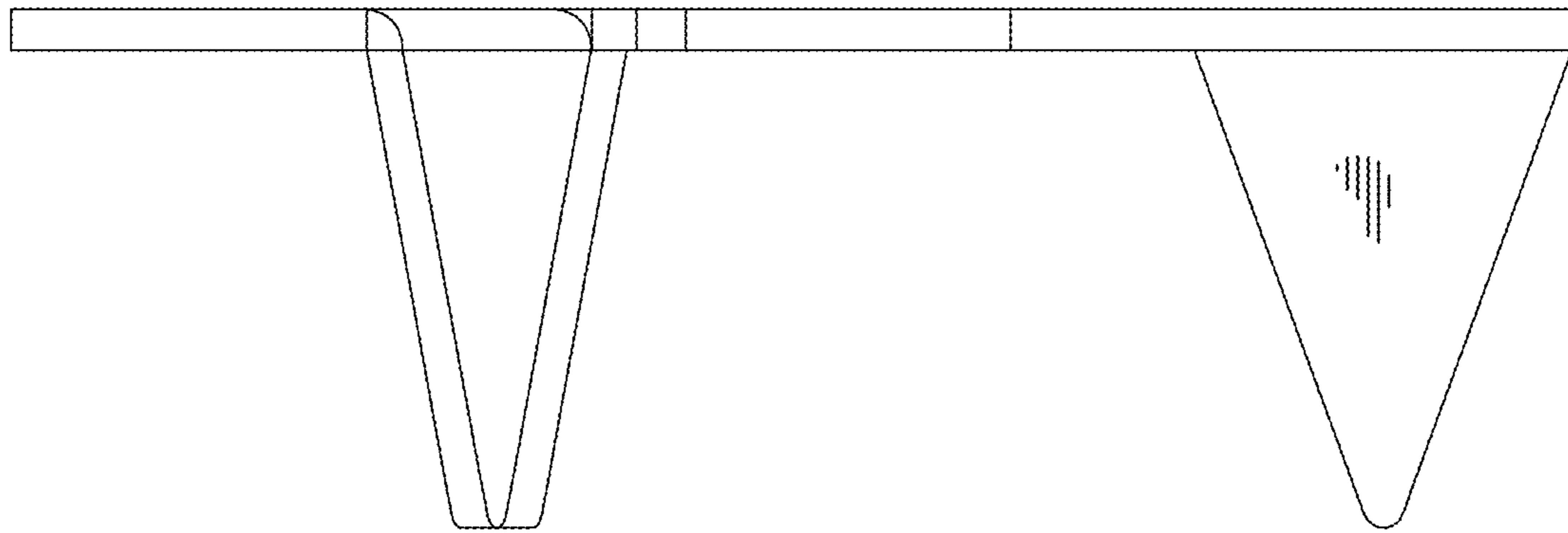


FIG. 2

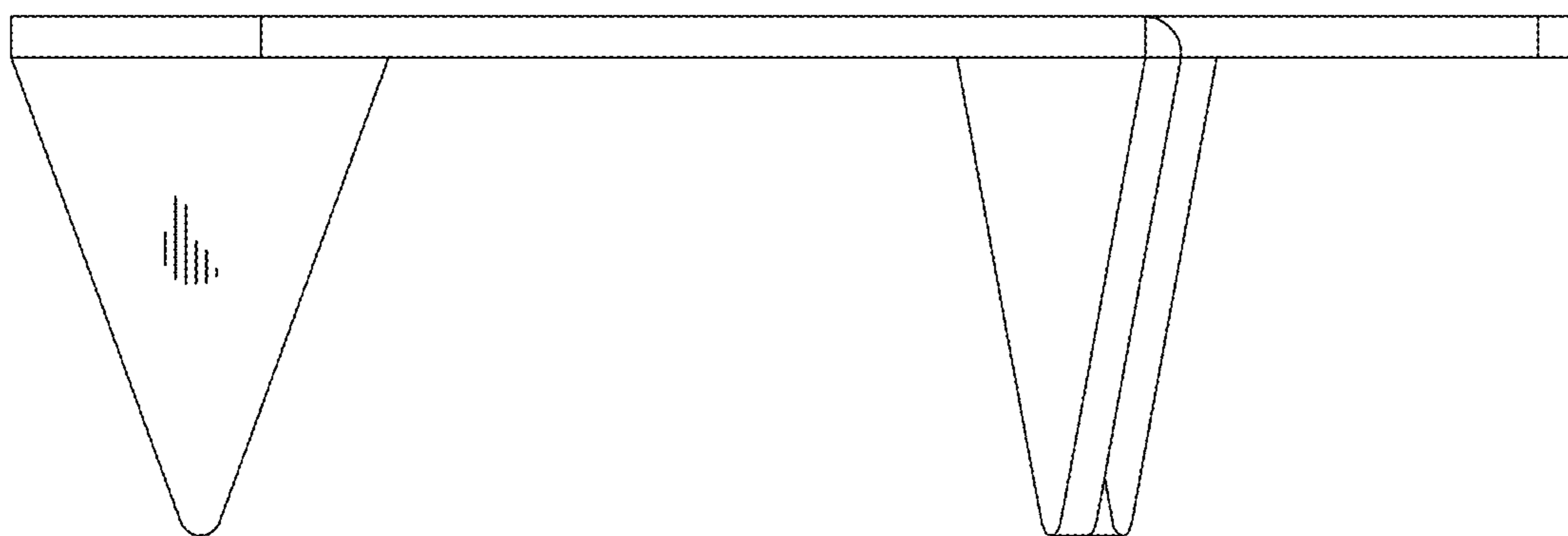


FIG. 3

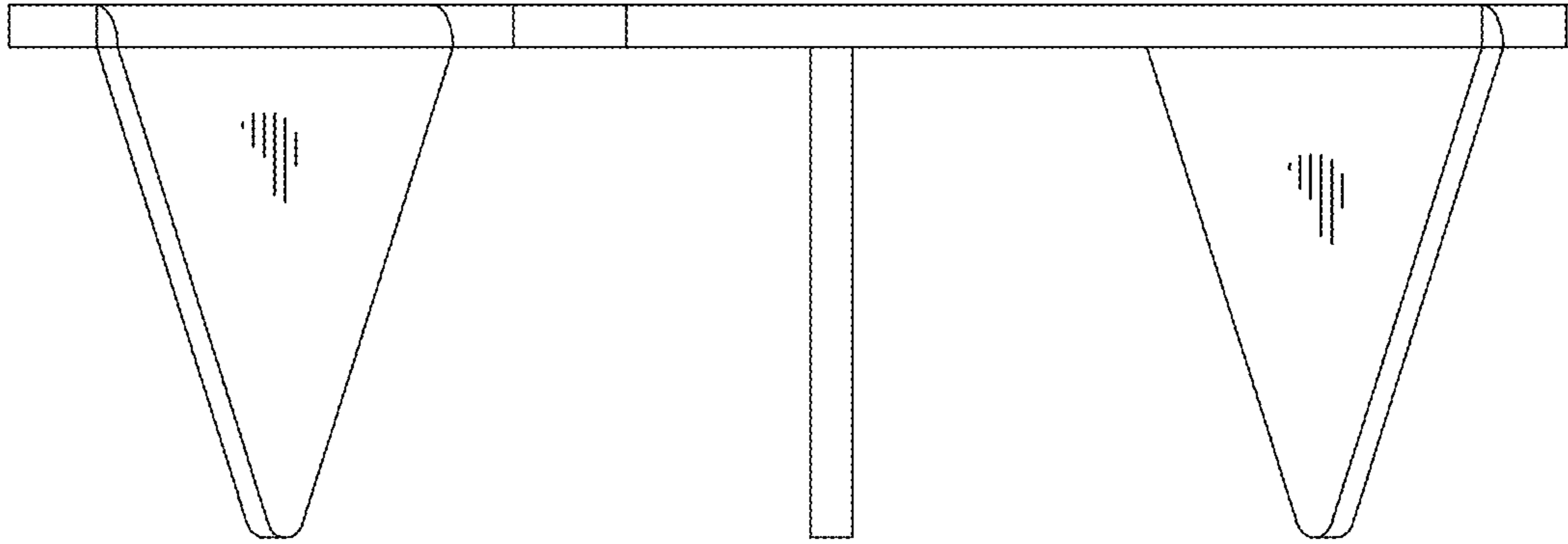


FIG. 4

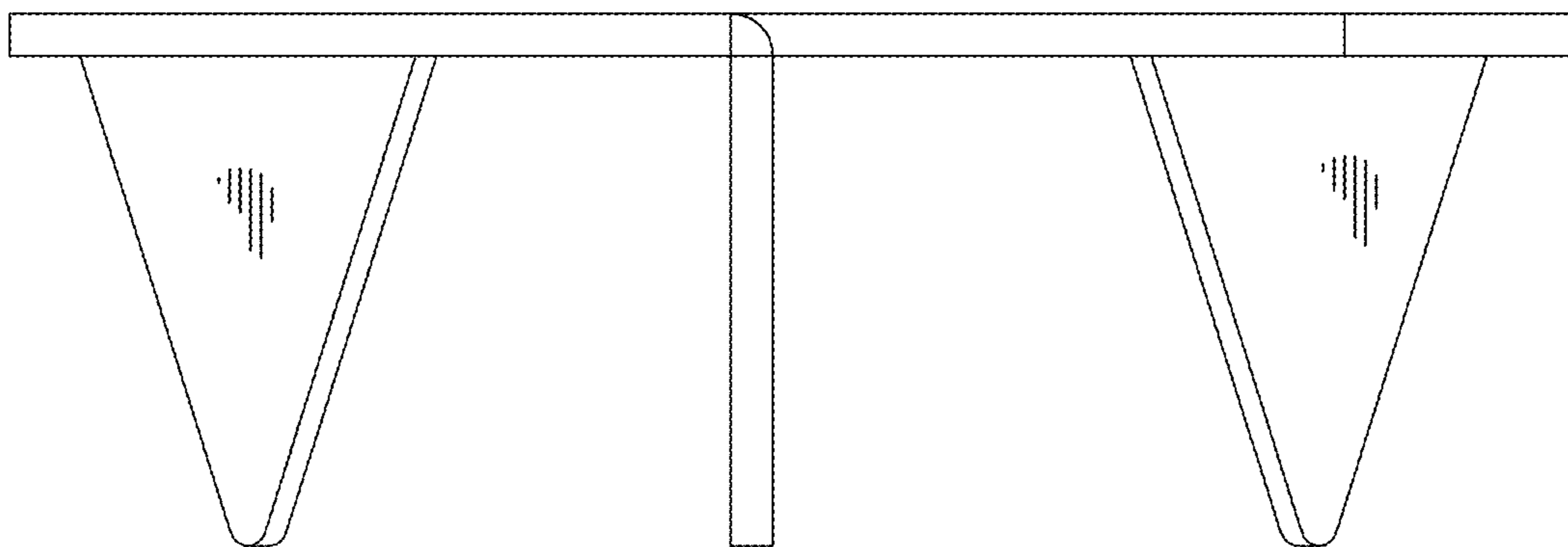


FIG. 5

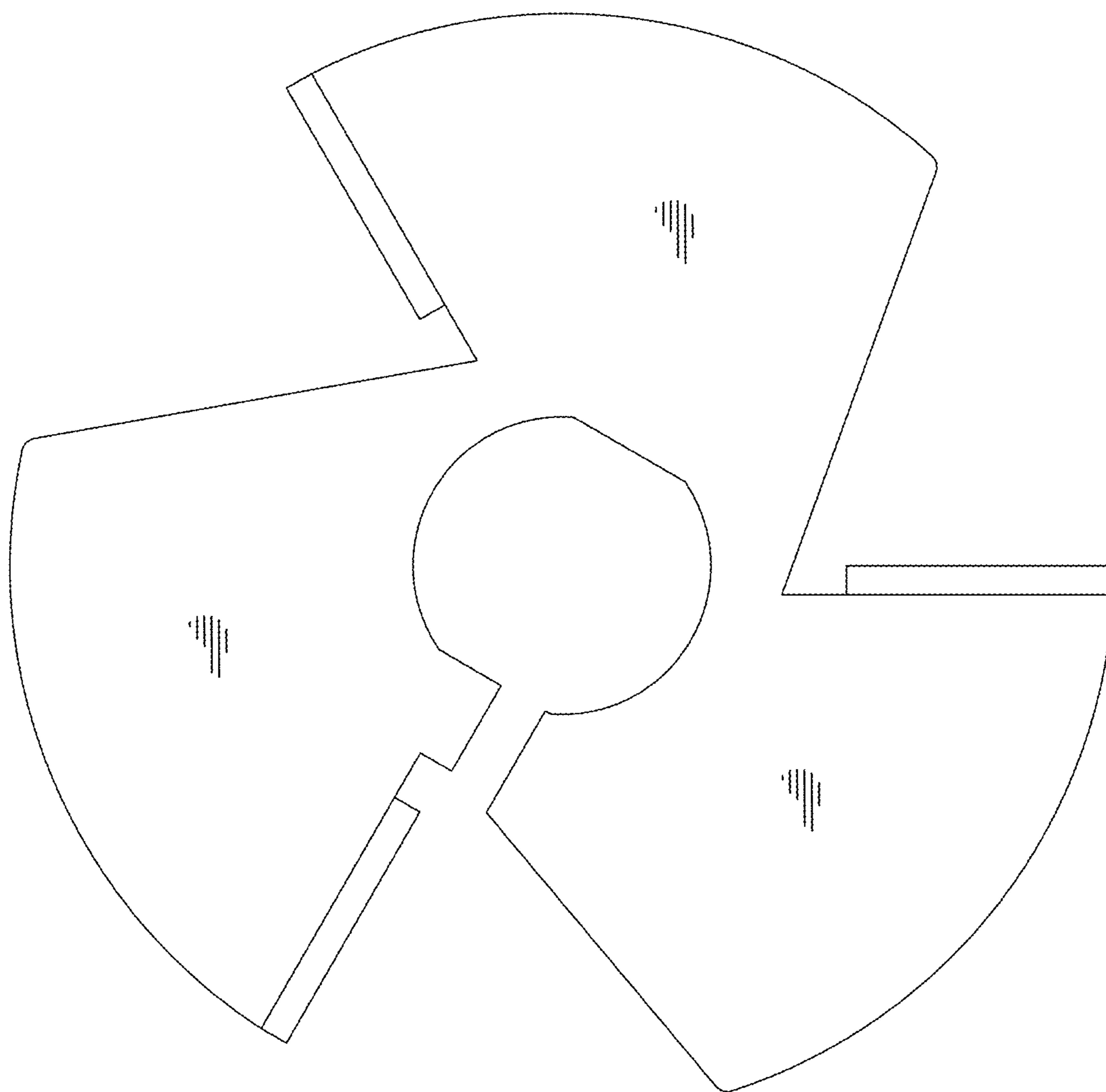


FIG. 6

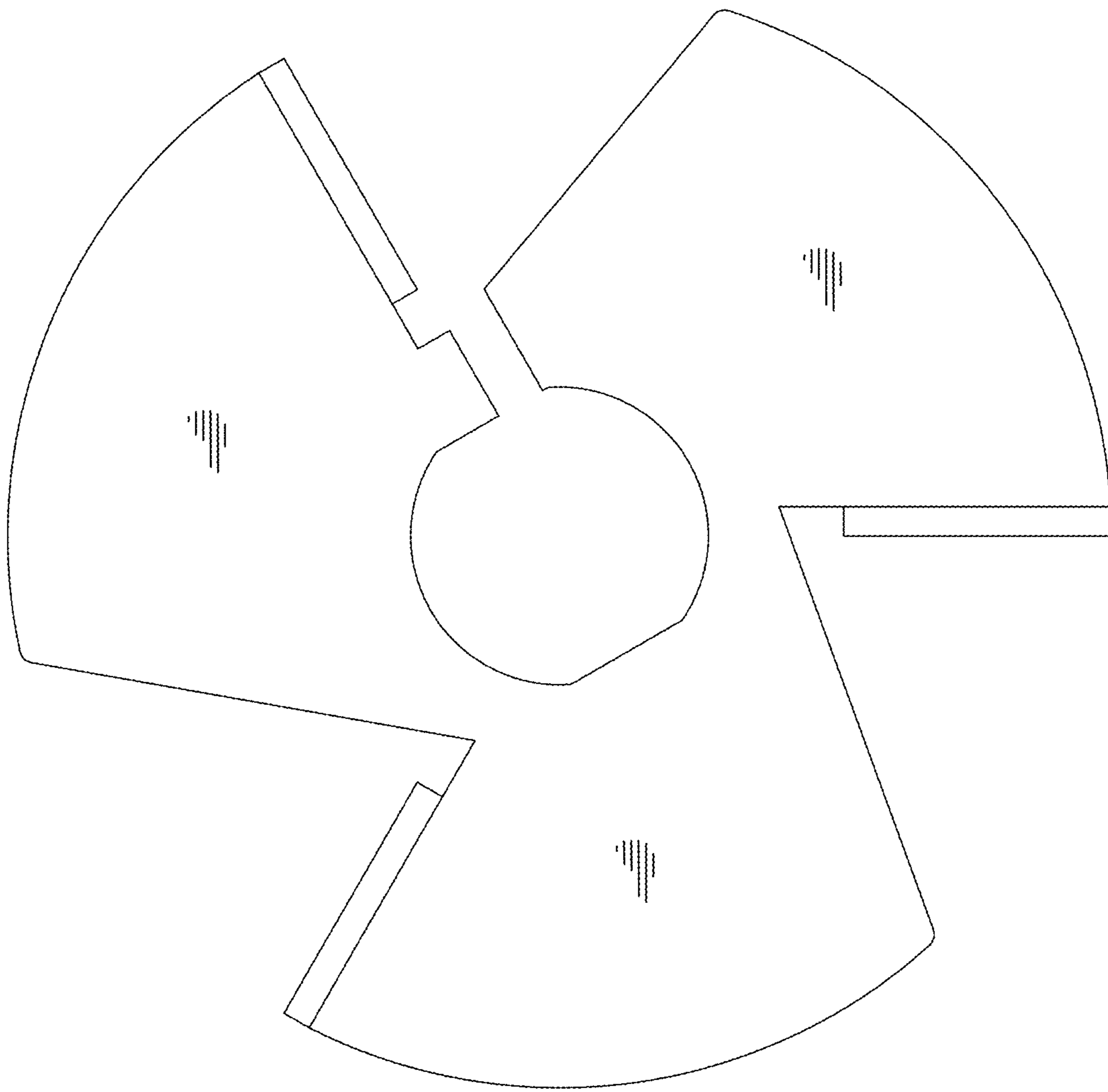


FIG. 7