



US00D950138S

(12) **United States Design Patent**  
**Huang**

(10) **Patent No.:** **US D950,138 S**  
(45) **Date of Patent:** **\*\* Apr. 26, 2022**

(54) **DESK LAMP**

(71) Applicant: **Shengzhao Huang**, Zhongshan (CN)

(72) Inventor: **Shengzhao Huang**, Zhongshan (CN)

(\*\*) Term: **15 Years**

(21) Appl. No.: **29/780,506**

(22) Filed: **Apr. 25, 2021**

(51) **LOC (13) Cl.** ..... **26-05**

(52) **U.S. Cl.**  
USPC ..... **D26/107**; D26/63; D26/65

(58) **Field of Classification Search**  
USPC ..... D26/24, 51, 56, 61, 63, 64, 65, 93, 94,  
D26/100, 106, 107  
CPC .... F21S 6/00; F21S 6/002; F21S 6/003; F21S  
6/004; F21S 6/005; F21S 6/006; F21S  
8/036; F21V 21/06; F21V 21/14; F21V  
21/26; F21V 21/30; F21V 12/01  
See application file for complete search history.

(56) **References Cited**

**U.S. PATENT DOCUMENTS**

D523,164 S *	6/2006	Ng	.....	D26/65
D637,332 S *	5/2011	Lee	.....	D26/63
D641,907 S *	7/2011	Lee	.....	D26/65
D753,861 S *	4/2016	Yong Joon	.....	D26/63
D759,282 S *	6/2016	Lee	.....	D26/65
D800,937 S *	10/2017	Li	.....	D26/63
D804,071 S *	11/2017	Xu	.....	D26/63
D840,583 S *	2/2019	Yu	.....	D26/107
D850,686 S *	6/2019	Wang	.....	D26/60
D855,230 S *	7/2019	Zhang	.....	D26/63
D858,835 S *	9/2019	Xiao	.....	D26/51
D866,845 S *	11/2019	Gruendl	.....	D26/107
D871,649 S *	12/2019	Meise	.....	D26/107
D873,463 S *	1/2020	Wang	.....	D26/65

D873,474 S	1/2020	Wang et al.	
D892,390 S	8/2020	Tong	
D913,557 S *	3/2021	Hodgson	..... D26/65
D918,449 S *	5/2021	Raghunathan	..... D26/51
D929,027 S *	8/2021	Zhu	..... D26/107
D935,684 S *	11/2021	Wu	..... D26/107
D936,885 S *	11/2021	Yang	..... D26/63
D937,463 S *	11/2021	Zheng	..... D26/65
2008/0284353 A1 *	11/2008	Yoo	..... H05B 35/00 315/294
2020/0355359 A1 *	11/2020	Pan	..... H05B 47/105

\* cited by examiner

*Primary Examiner* — Wan Laymon  
*Assistant Examiner* — Clint A Samuel

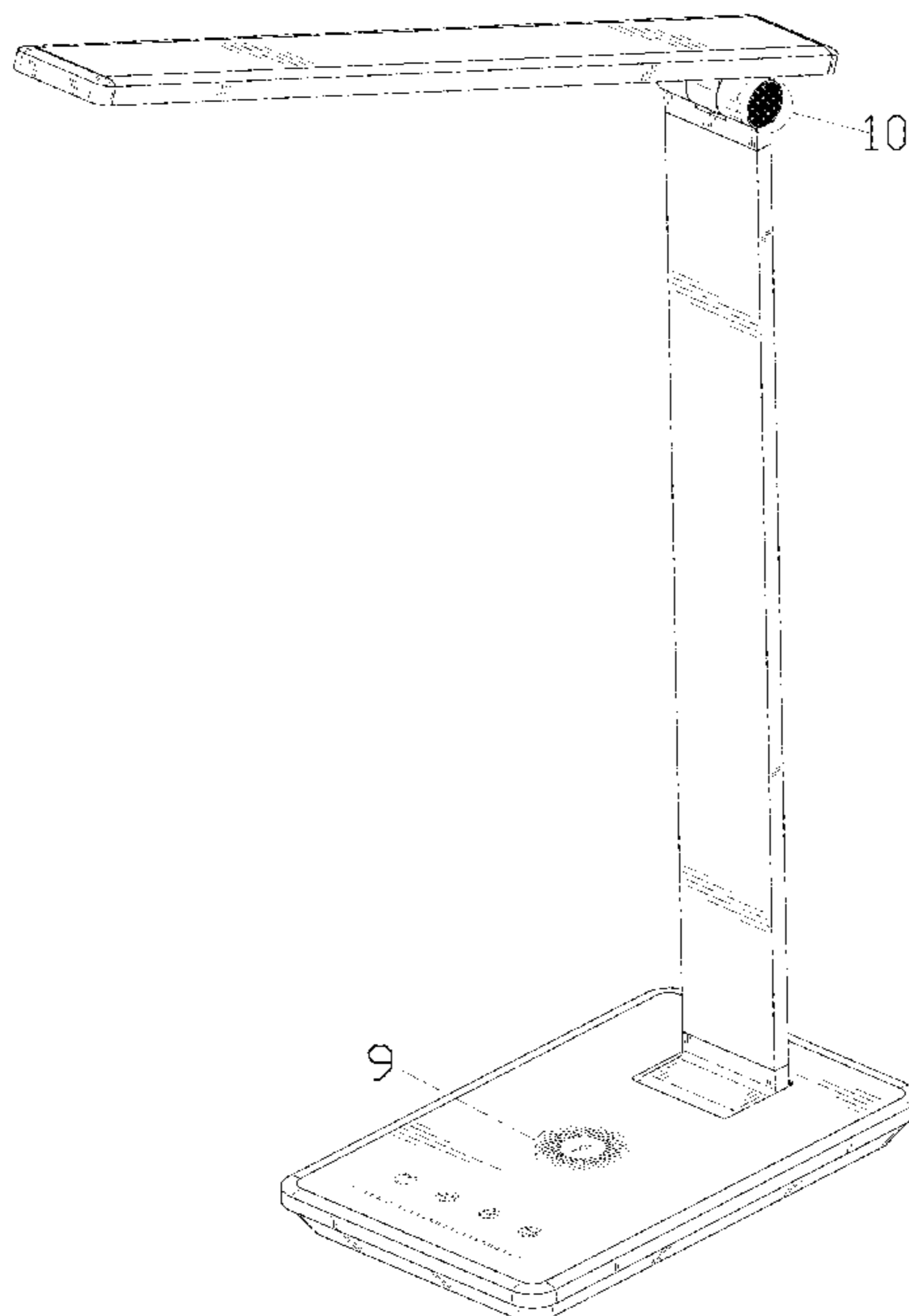
(57) **CLAIM**

The ornamental design for a desk lamp, as shown and described.

**DESCRIPTION**

FIG. 1 is a perspective view of a desk lamp showing my new design;  
FIG. 2 is another perspective view thereof;  
FIG. 3 is a front elevational view thereof;  
FIG. 4 is a rear elevational view thereof;  
FIG. 5 is a left side elevational view thereof;  
FIG. 6 is a right side elevational view thereof;  
FIG. 7 is a top plan view thereof;  
FIG. 8 is a bottom plan view thereof;  
FIG. 9 is an enlarged view of portion 9 shown in FIG. 1;  
FIG. 10 is an enlarged view of portion 10 shown in FIG. 1;  
and,  
FIG. 11 is an enlarged view of portion 11 shown in FIG. 5.  
The broken lines in the drawings depict portions of the desk lamp that form no part of the claimed design.

**1 Claim, 11 Drawing Sheets**



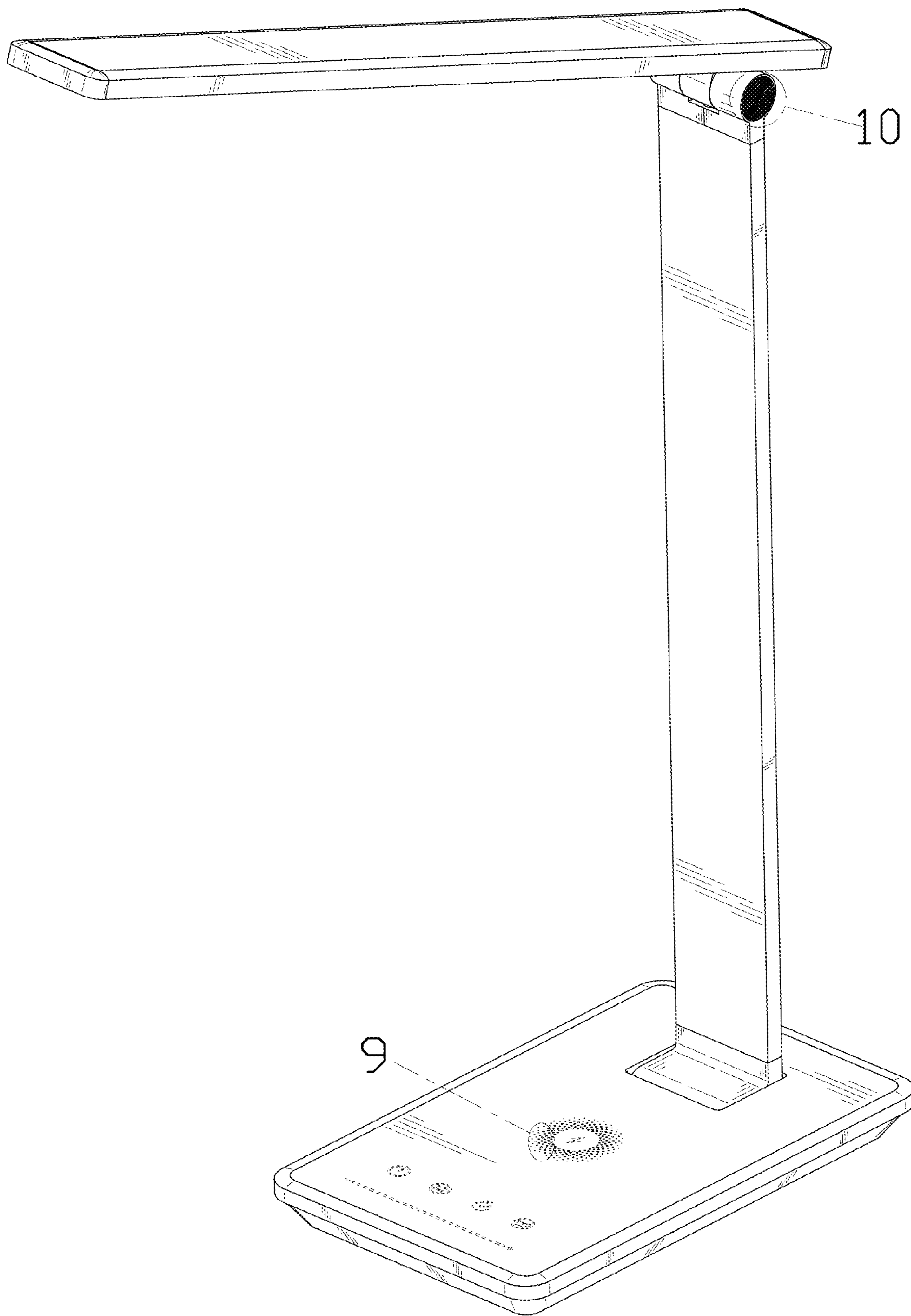


FIG. 1

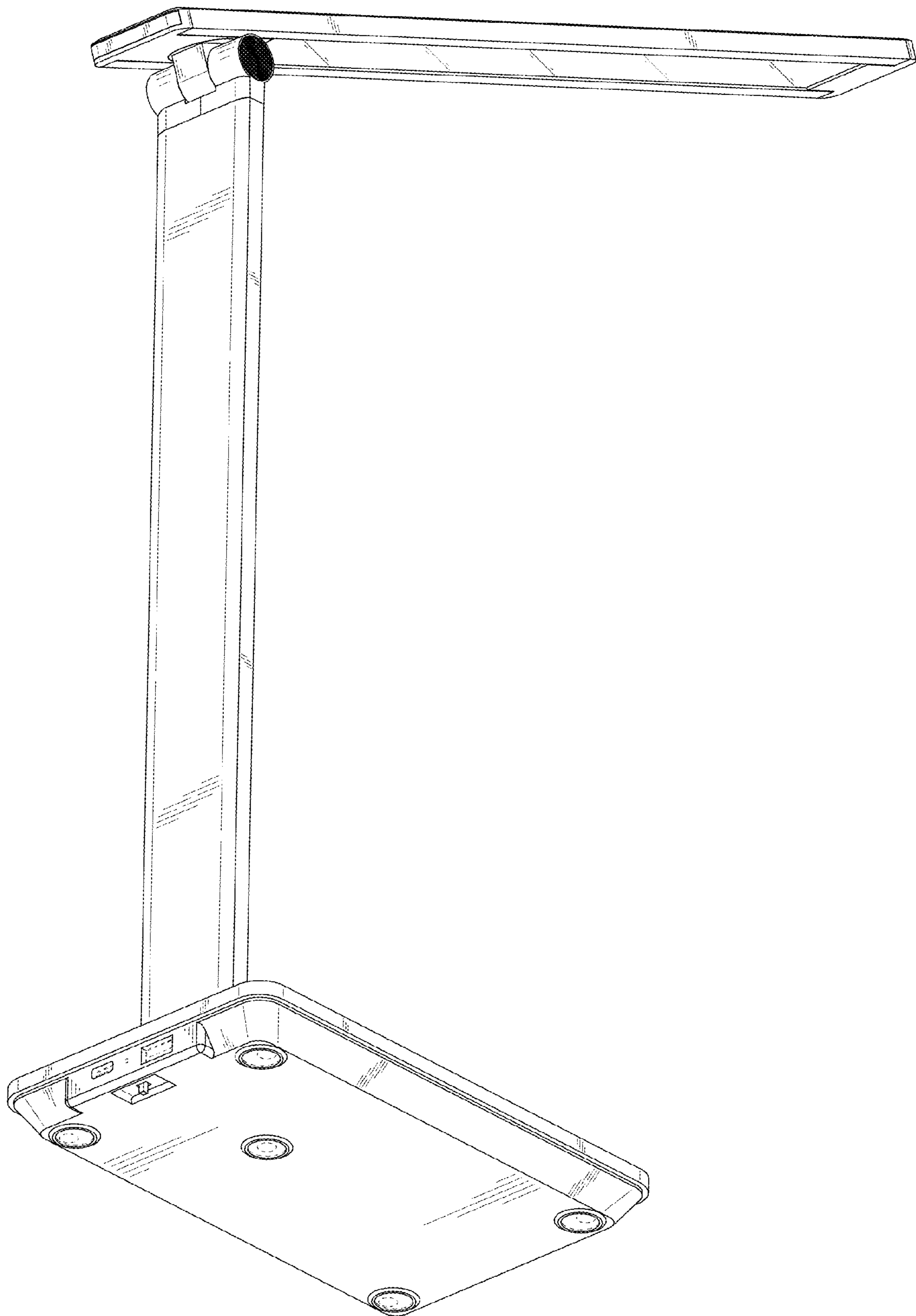


FIG. 2

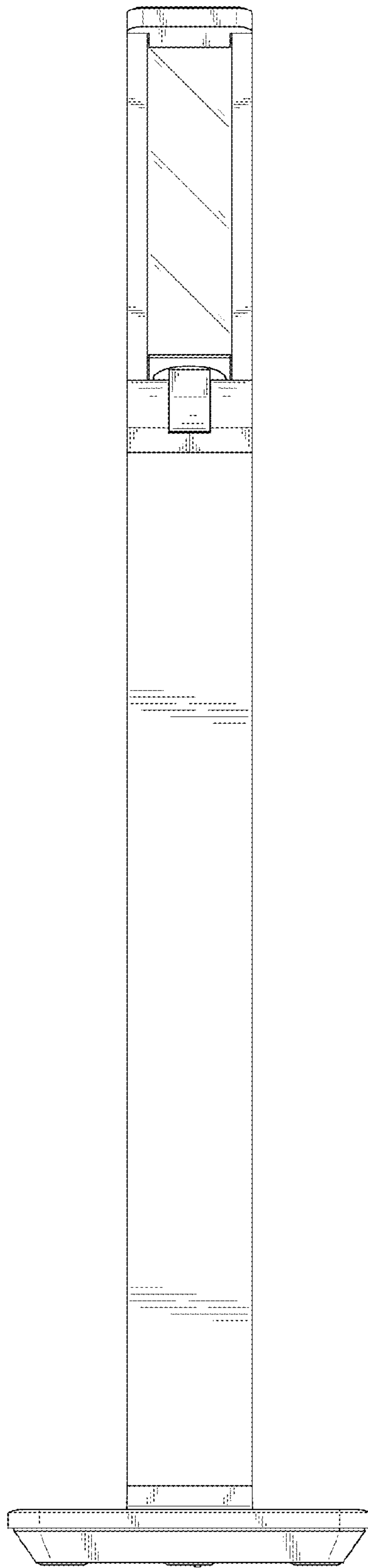


FIG. 3

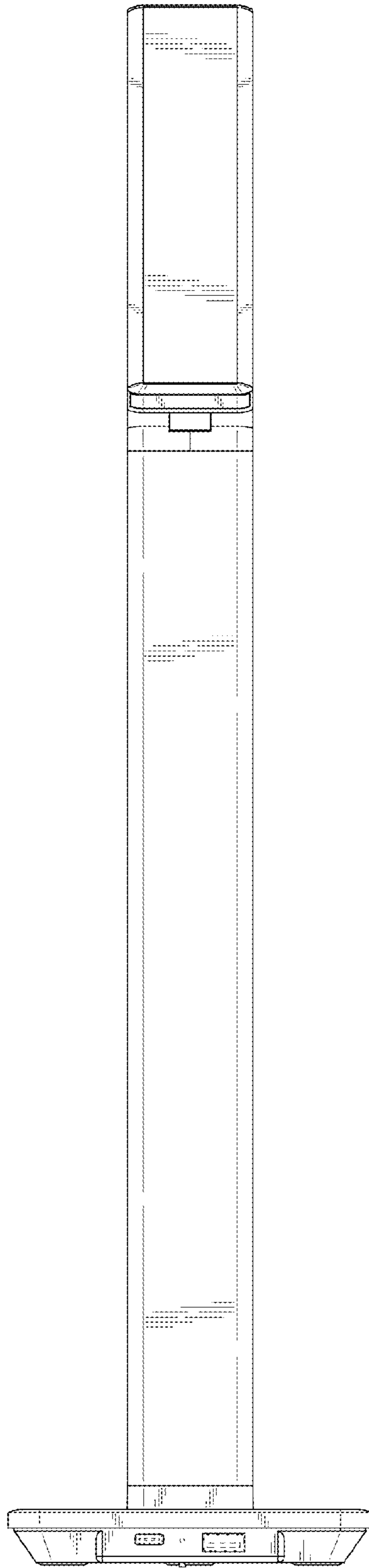


FIG. 4

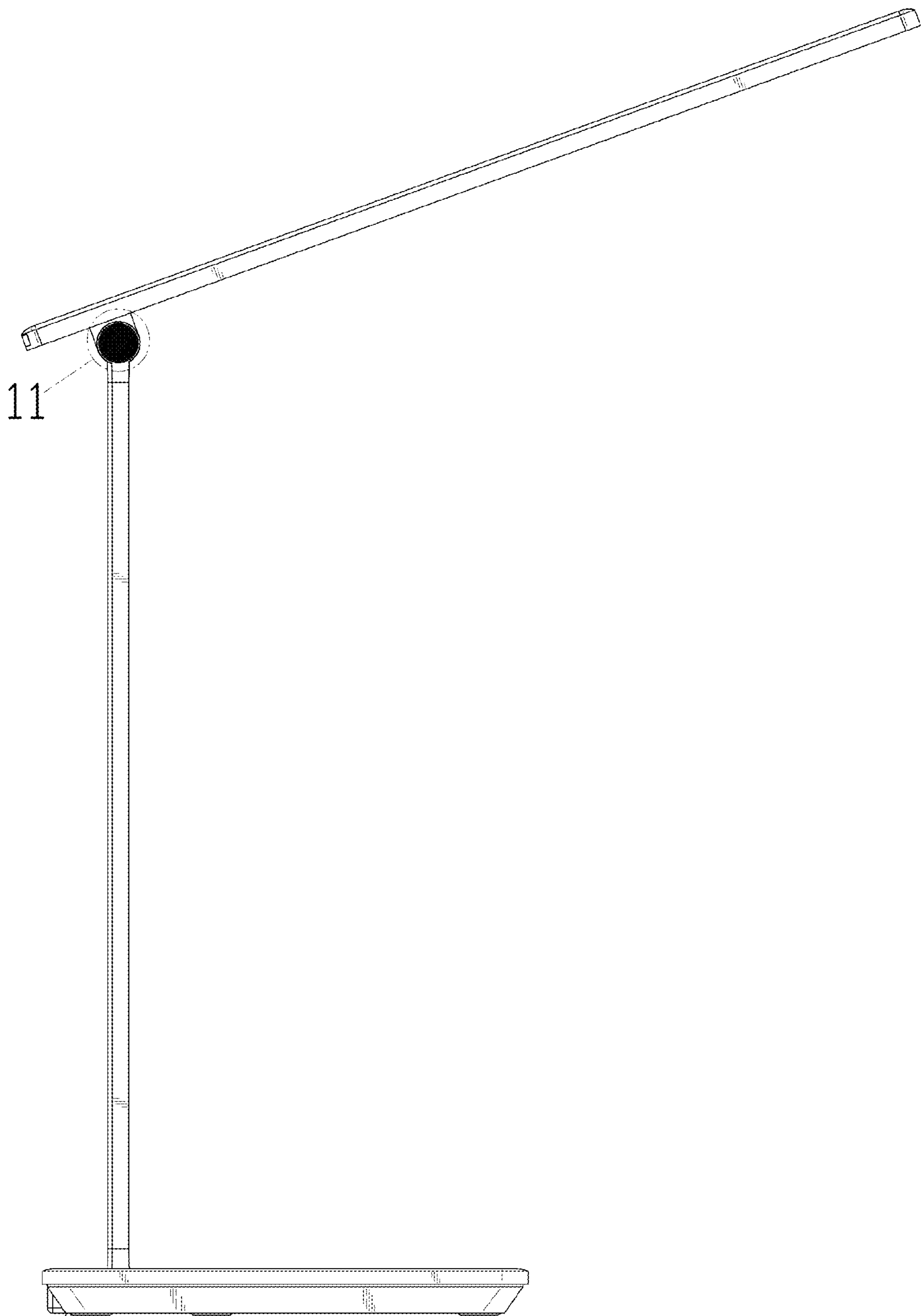


FIG. 5

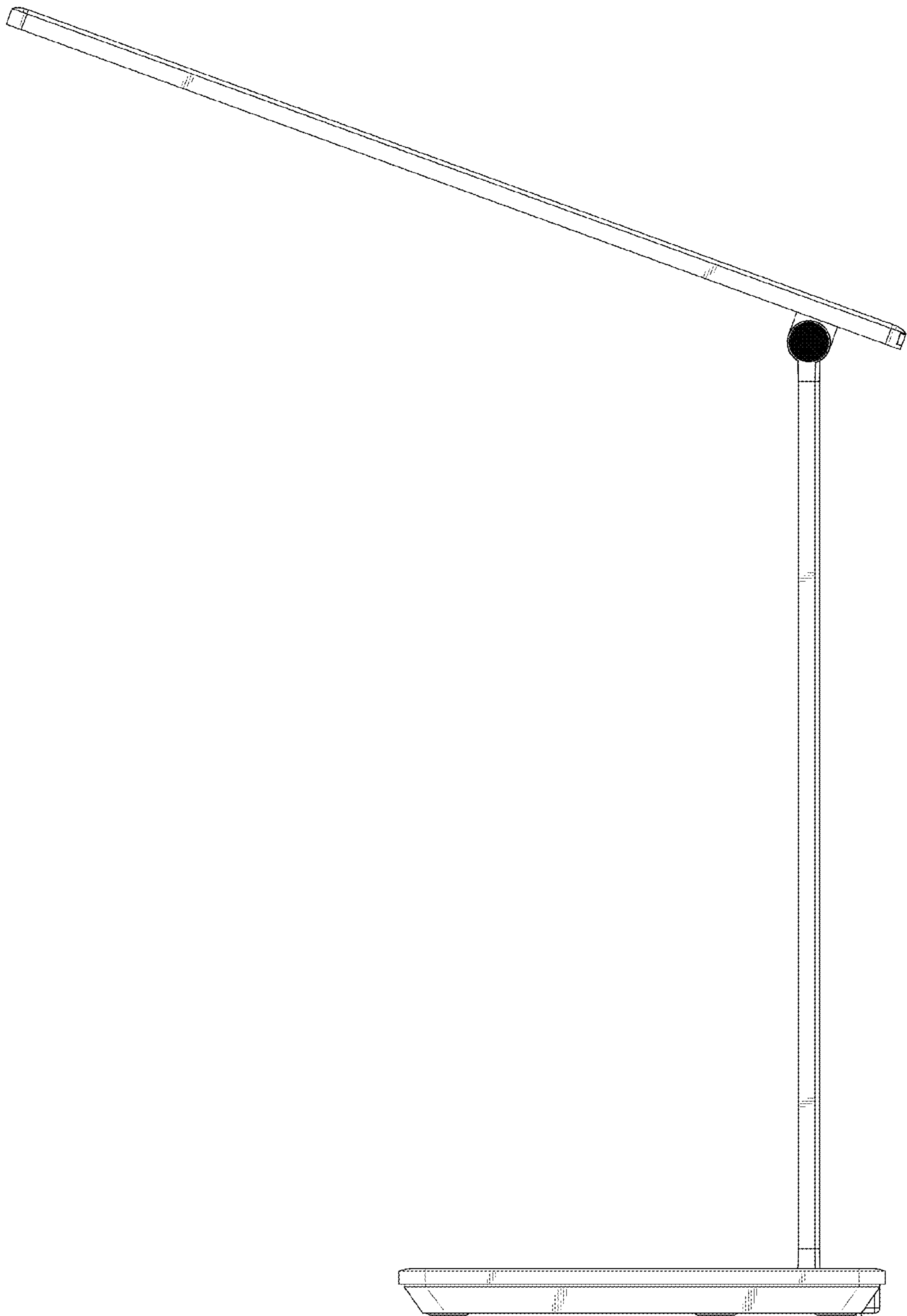


FIG. 6

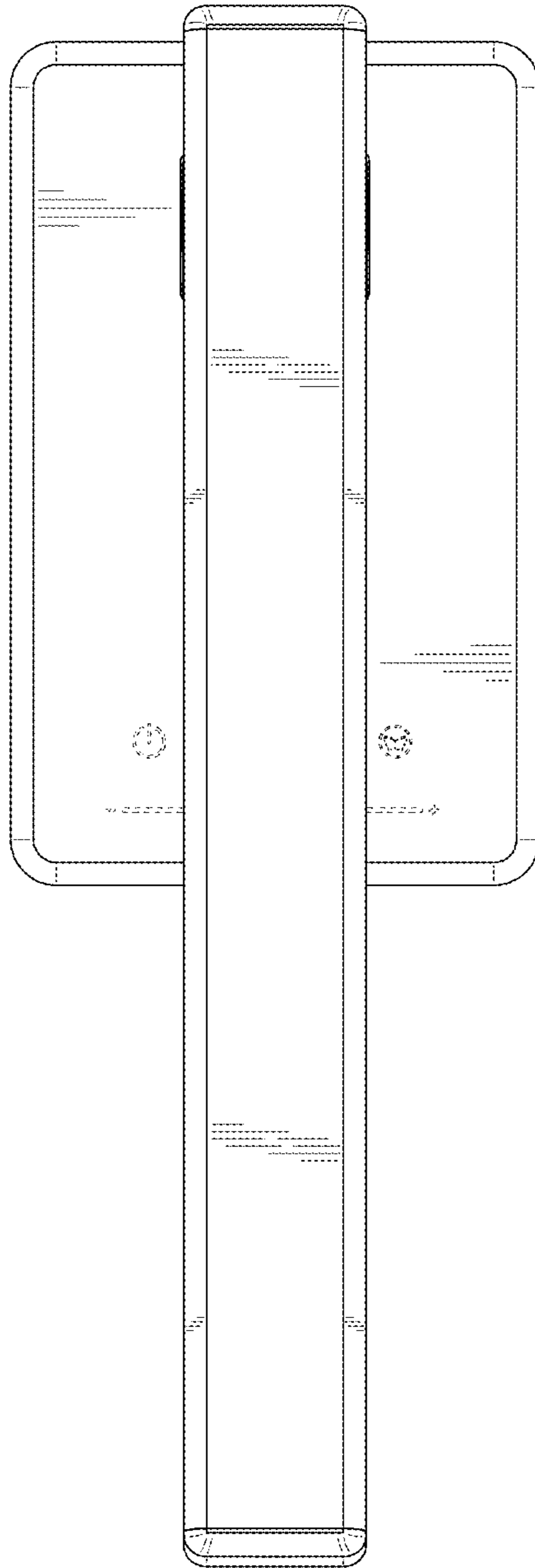


FIG. 7



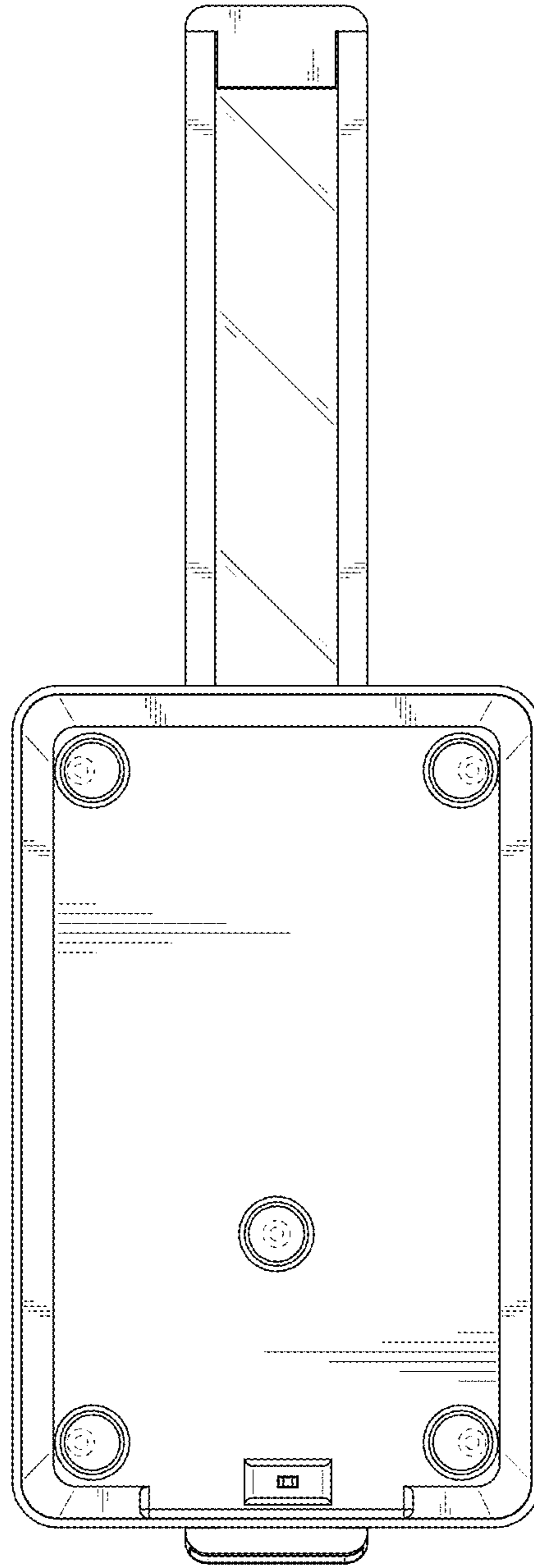


FIG. 8

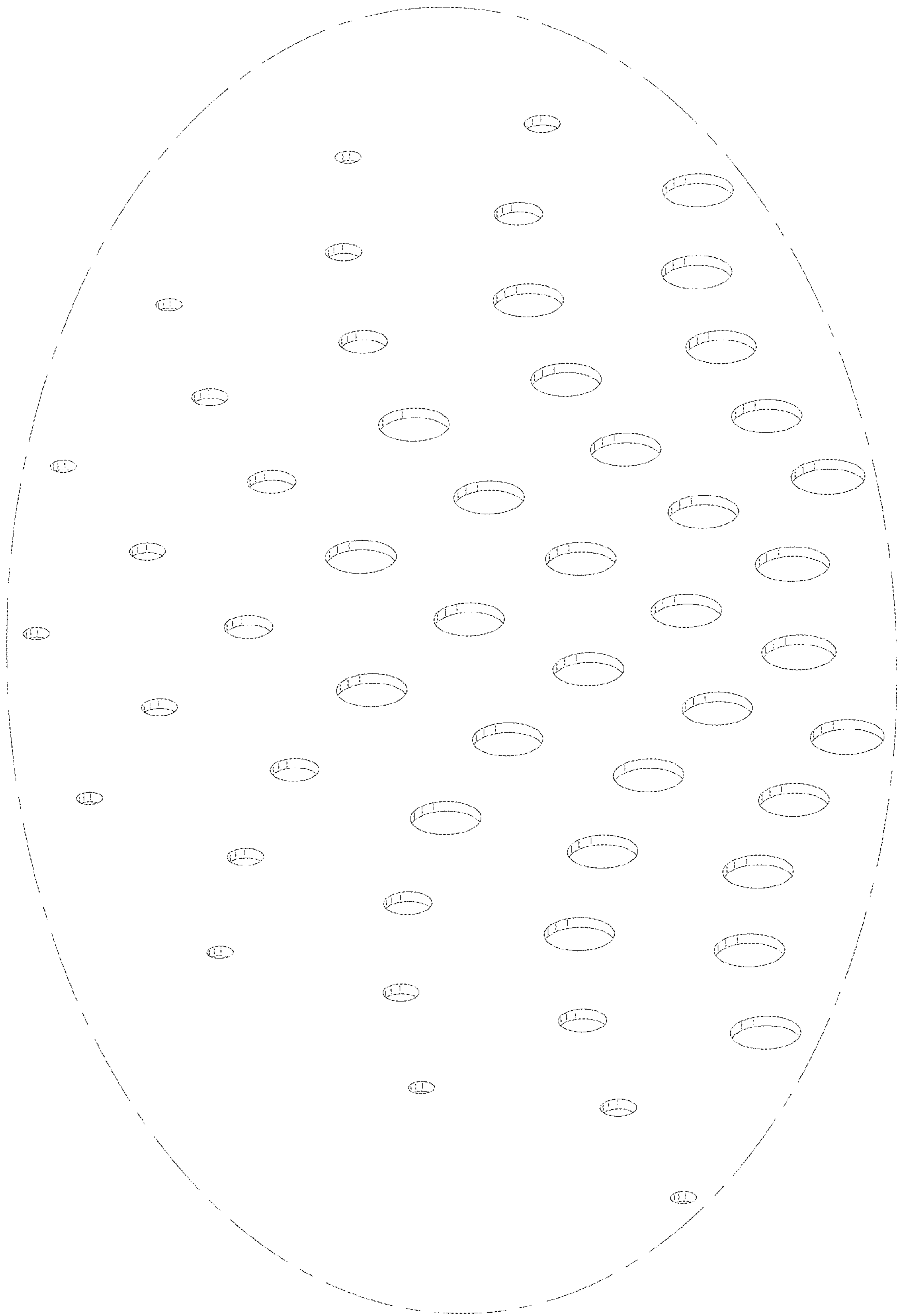


FIG. 9

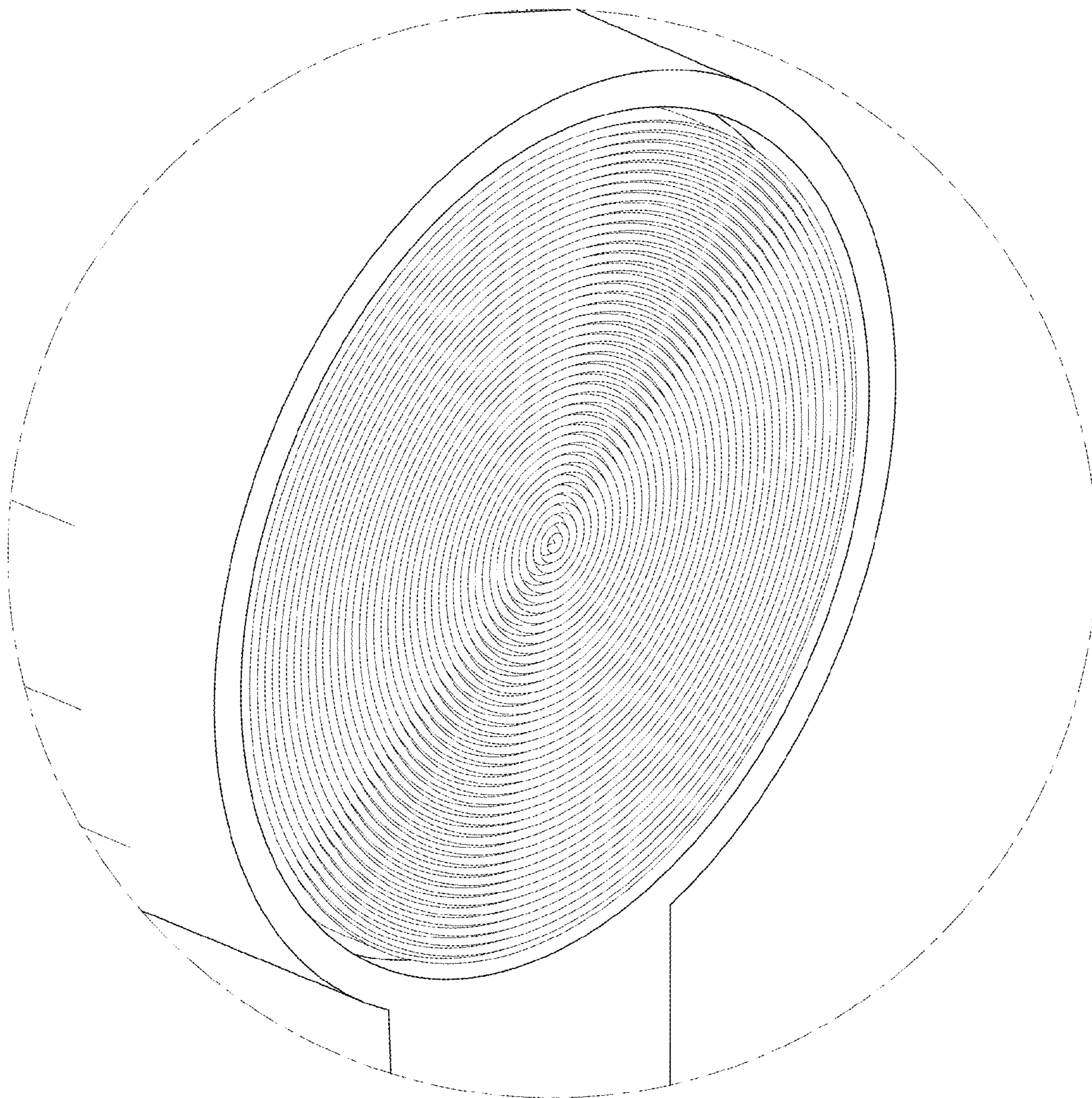


FIG. 10

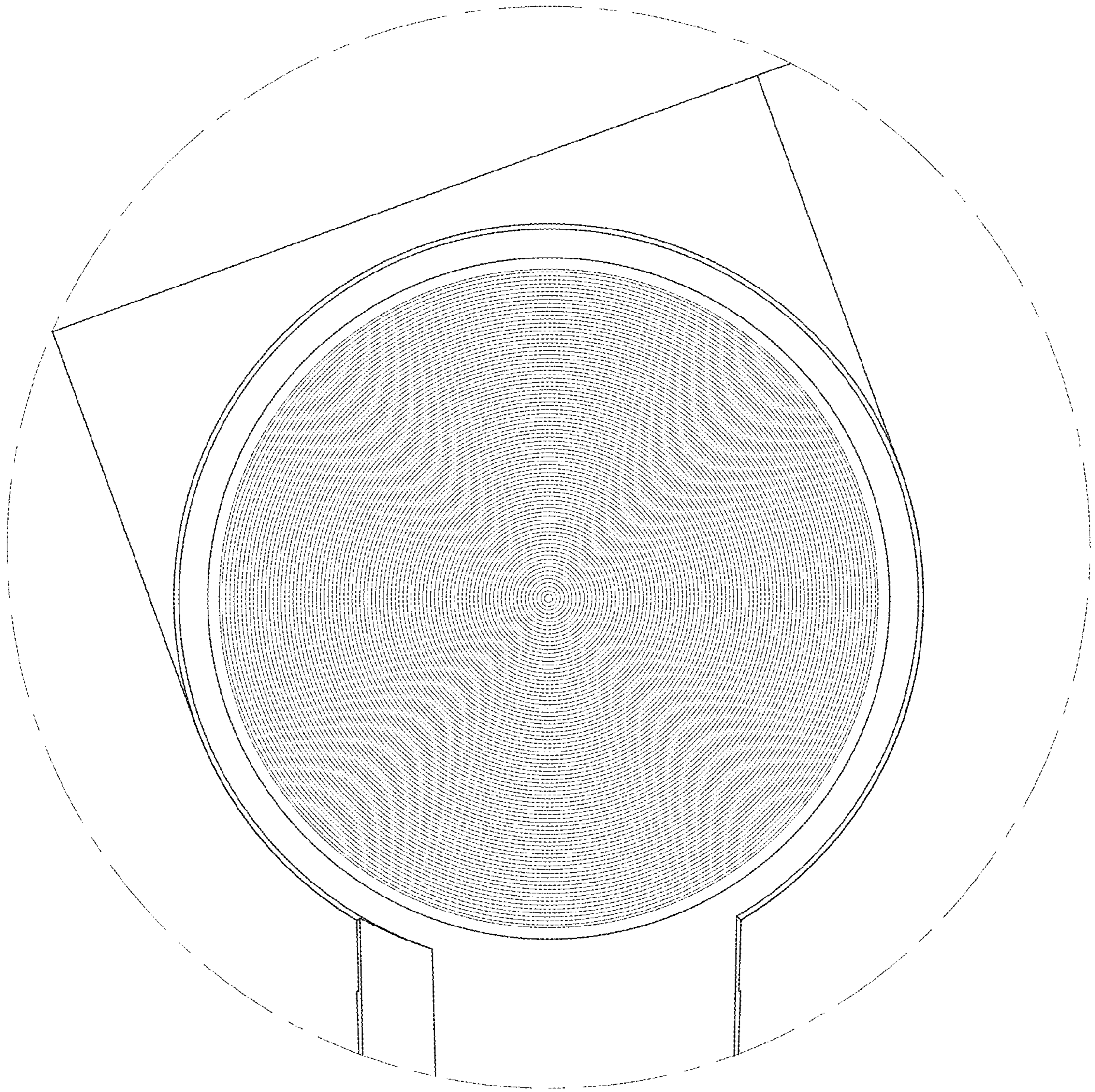


FIG. 11