



US00D950137S

(12) **United States Design Patent**
Chen

(10) **Patent No.:** **US D950,137 S**
(45) **Date of Patent:** **** Apr. 26, 2022**

(54) **FLOOR LAMP**

(71) Applicant: **ZHONGSHAN TAOZUO ELECTRIC TECHNOLOGY CO., LTD.**,
Zhongshan (CN)

(72) Inventor: **Yunneng Chen**, Zhongshan (CN)

(73) Assignee: **ZHONGSHAN TAOZUO ELECTRIC TECHNOLOGY CO., LTD.**,
Zhongshan (CN)

(**) Term: **15 Years**

(21) Appl. No.: **29/779,767**

(22) Filed: **Apr. 21, 2021**

(30) **Foreign Application Priority Data**

Mar. 3, 2021 (EM) 008449391-0002

(51) **LOC (13) Cl.** **26-05**

(52) **U.S. Cl.**
USPC **D26/93**

(58) **Field of Classification Search**
USPC D26/24, 61, 93, 102, 106, 110; D25/126;
D6/300
CPC F21S 6/00; F21S 8/032; F21S 6/005; F21S
8/03; F21S 8/033; F21L 2/00; F21L 4/00;
F21L 4/02; F21L 4/025; F21L 4/027;
F21L 14/00
See application file for complete search history.

(56) **References Cited**

U.S. PATENT DOCUMENTS

D465,054 S * 10/2002 Lau D26/93
D625,873 S * 10/2010 Prazak D26/65
D662,640 S * 6/2012 Ng D26/65
D674,533 S * 1/2013 Nalitchaev D26/104
D724,253 S * 3/2015 Anastassiades D26/93
D747,536 S * 1/2016 Huh D26/107

D768,908 S 10/2016 Fisher et al.
D788,972 S 6/2017 Araiza
D827,191 S * 8/2018 Waldmann D26/107
(Continued)

FOREIGN PATENT DOCUMENTS

CN 202130428837.7 * 11/2021

OTHER PUBLICATIONS

Amazon, "Corner Floor Lamp", first available Nov. 4, 2021. (<https://www.amazon.com/dp/B09L16WMR3/>) (Year: 2021).*
(Continued)

Primary Examiner — Lauren D McVey
Assistant Examiner — Justin A Johnson

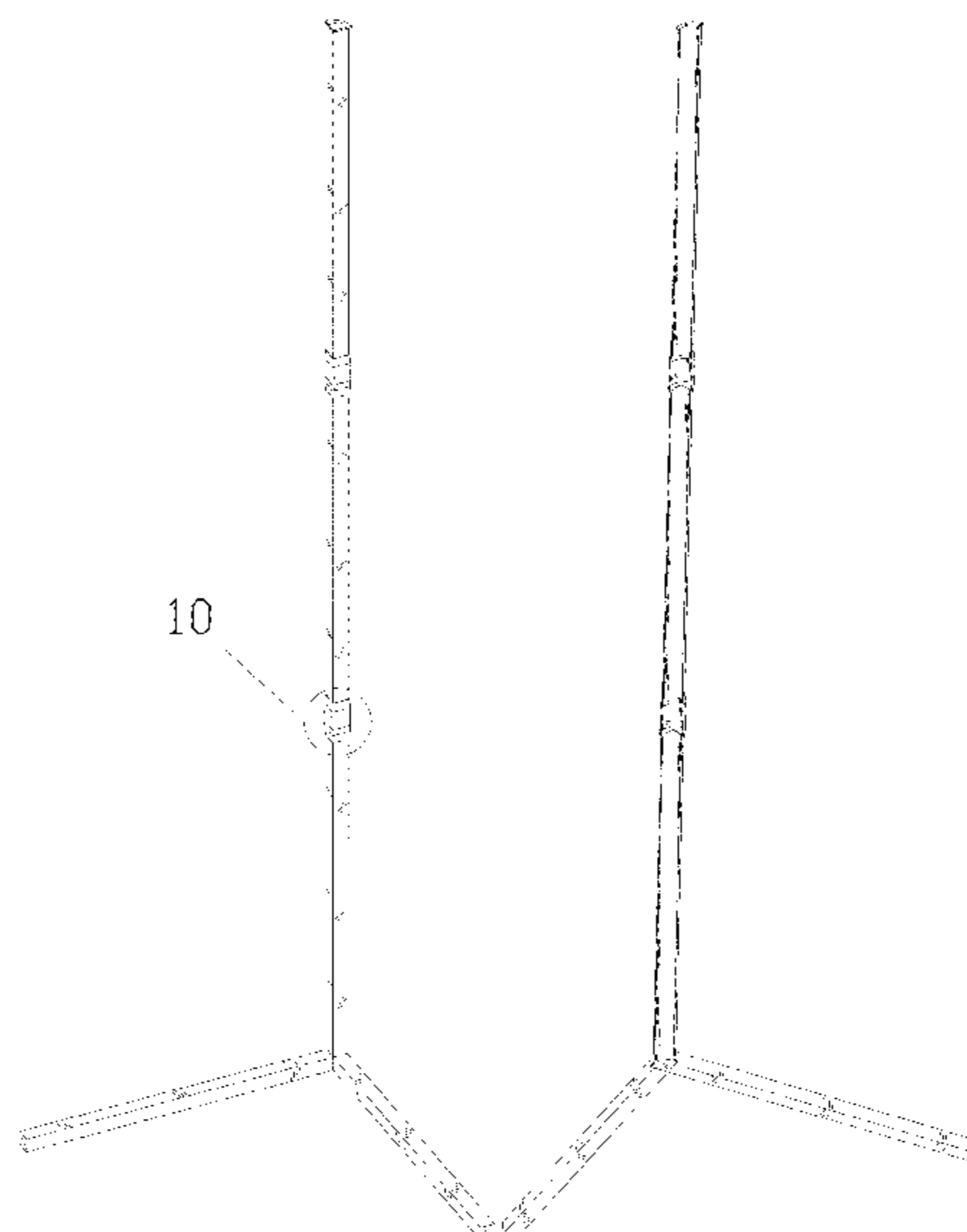
(57) **CLAIM**

The ornamental design for a floor lamp, as shown and described.

DESCRIPTION

FIG. 1 is a perspective view of a floor lamp showing my new design;
FIG. 2 is another perspective view thereof;
FIG. 3 is a front elevational view thereof;
FIG. 4 is a rear elevational view thereof;
FIG. 5 is a left side elevational view thereof;
FIG. 6 is a right side elevational view thereof;
FIG. 7 is a top plan view thereof;
FIG. 8 is a bottom plan view thereof;
FIG. 9 is an exploded perspective view of the floor lamp; and,
FIG. 10 is an enlarged view of portion 10 shown in FIG. 1. The even length broken lines immediately adjacent to the shaded areas depict the bounds of the claimed design, while all other even length broken lines are directed to environment. In addition, the dot-dash broken lines illustrate enlarged portions of the design. None of the broken lines form part of the claimed design.

1 Claim, 10 Drawing Sheets



(56)

References Cited

U.S. PATENT DOCUMENTS

| | | | | |
|------------|---|---------|---------------|----------|
| D832,488 S | * | 10/2018 | Yu | D26/107 |
| D838,895 S | * | 1/2019 | Huang | D26/93 |
| D866,845 S | * | 11/2019 | Gruendl | D26/107 |
| D871,650 S | * | 12/2019 | Meise | D26/107 |
| D924,610 S | * | 7/2021 | Hodgson | D6/681.1 |
| D939,131 S | * | 12/2021 | Gao | D26/106 |

OTHER PUBLICATIONS

Amazon, "Crownia Corner Floor Lamp", first available Jun. 7, 2021. (<https://www.amazon.com/dp/B09L5YRY9T/>) (Year: 2021).*

Amazon, "hizpo RGB Dimmable Floor lamp", first available Jul. 27, 2021. (<https://www.amazon.com/dp/B09B8RRBBK/>) (Year: 2021).*

Amazon, "Smart Corner Floor Lamp, YISUN", first available Jan. 10, 2022. (<https://www.amazon.com/dp/B09LQXCRPY/>) (Year: 2022).*

* cited by examiner

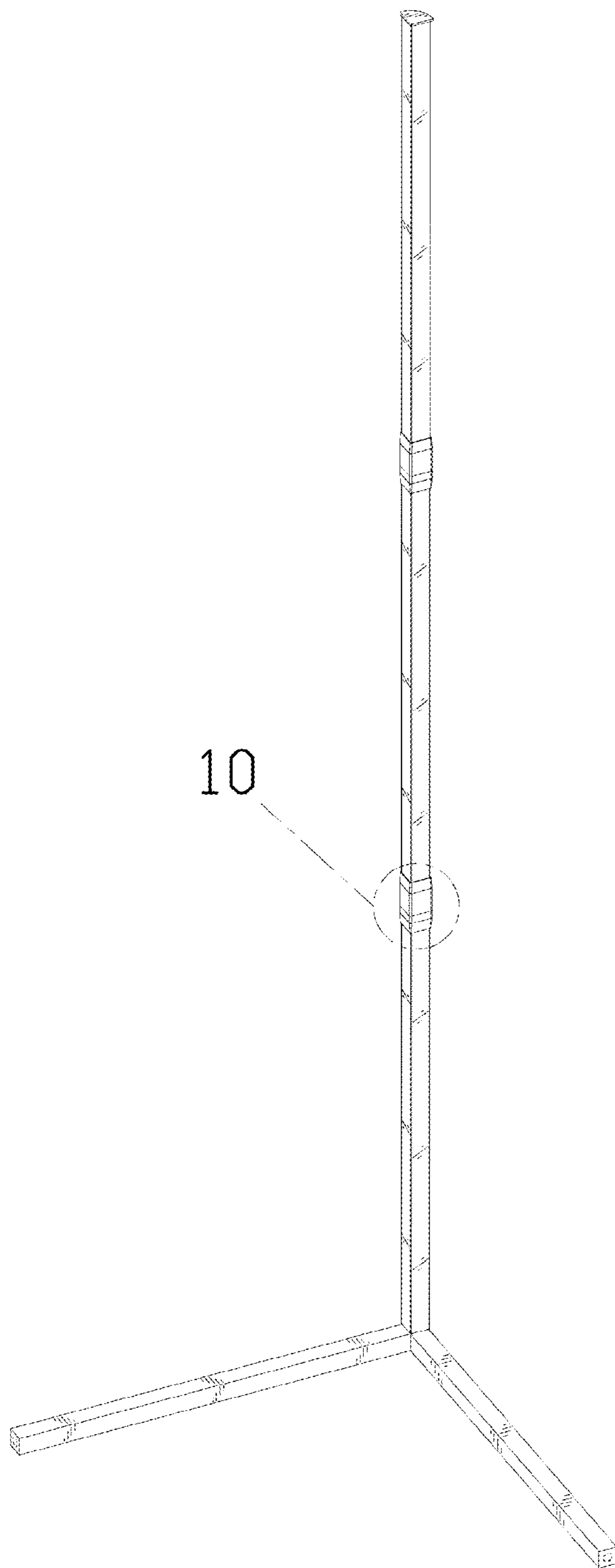


FIG. 1

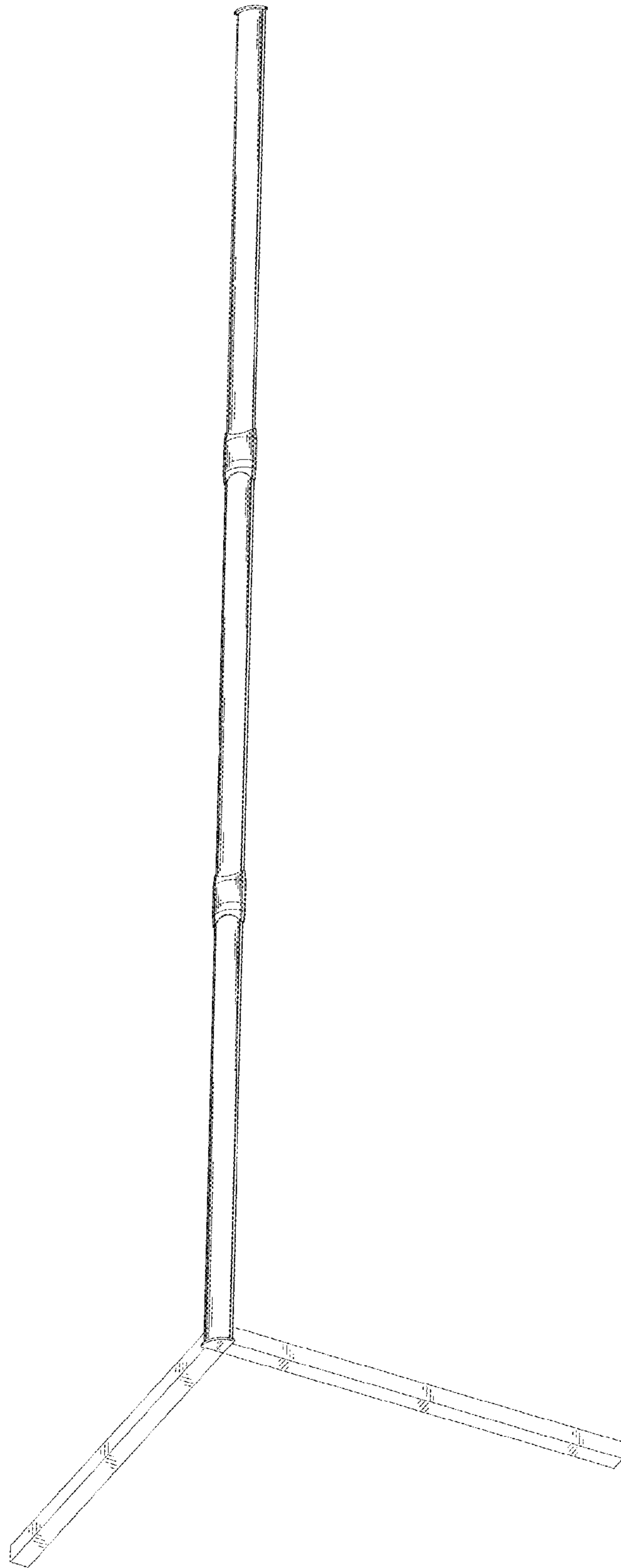


FIG. 2

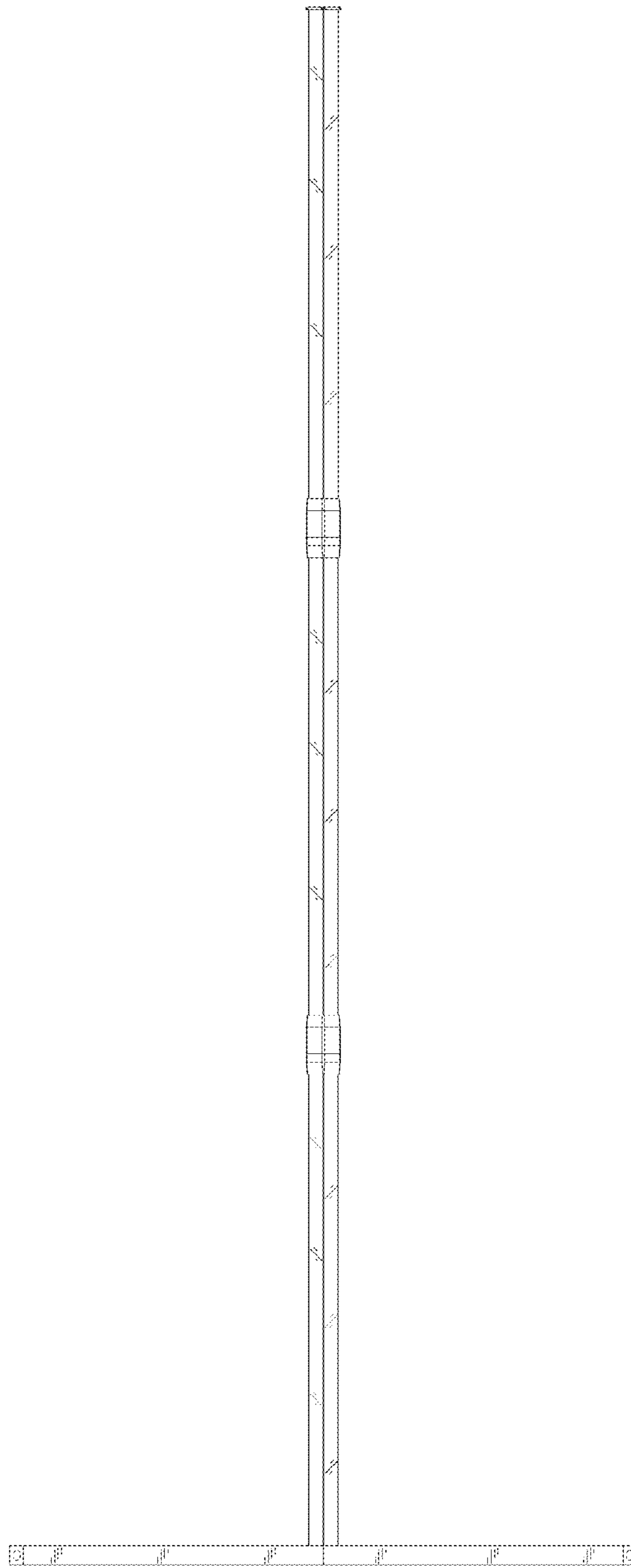


FIG. 3

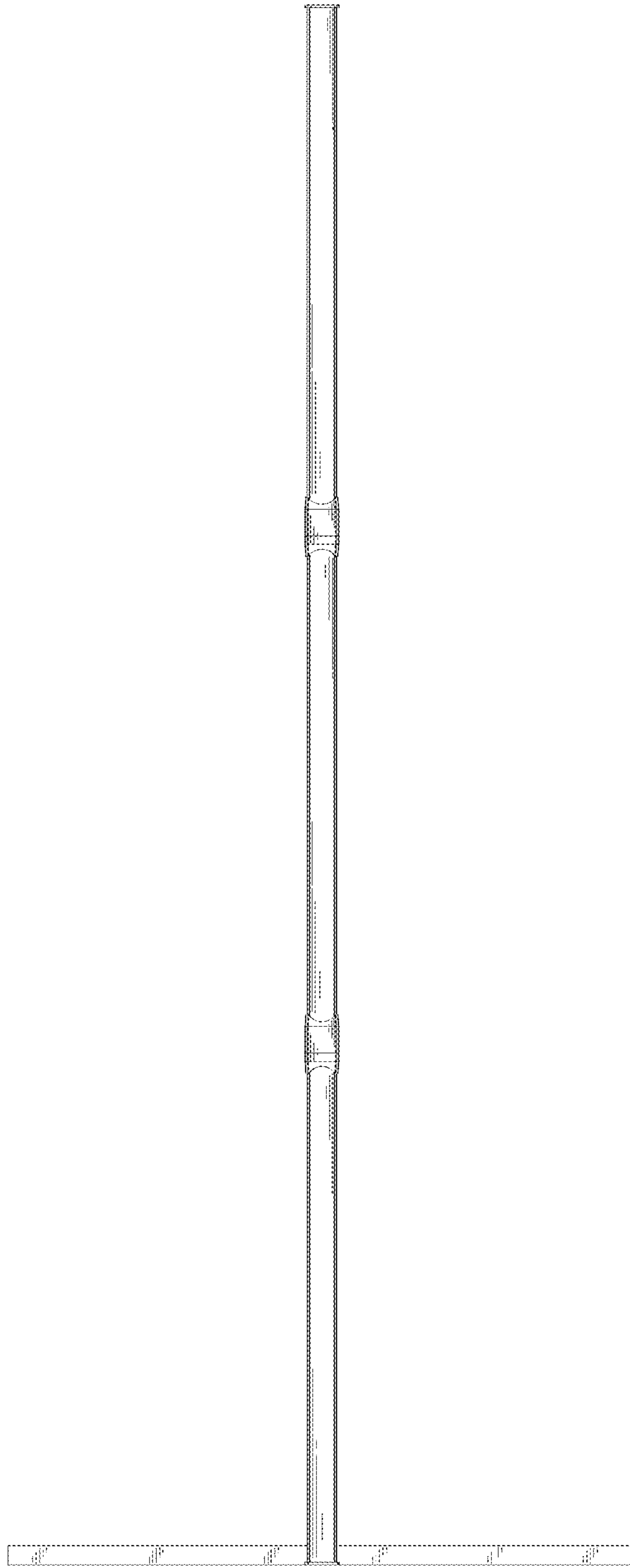


FIG. 4

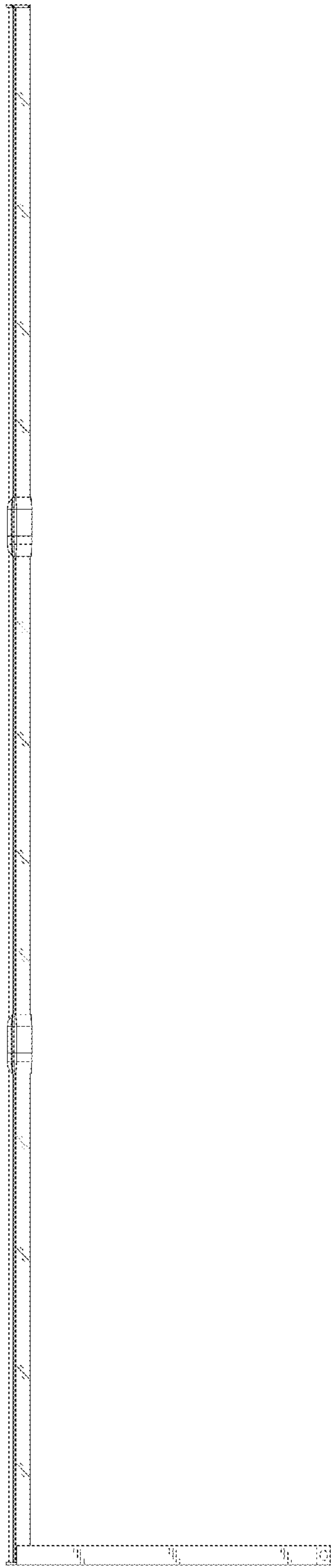


FIG. 5

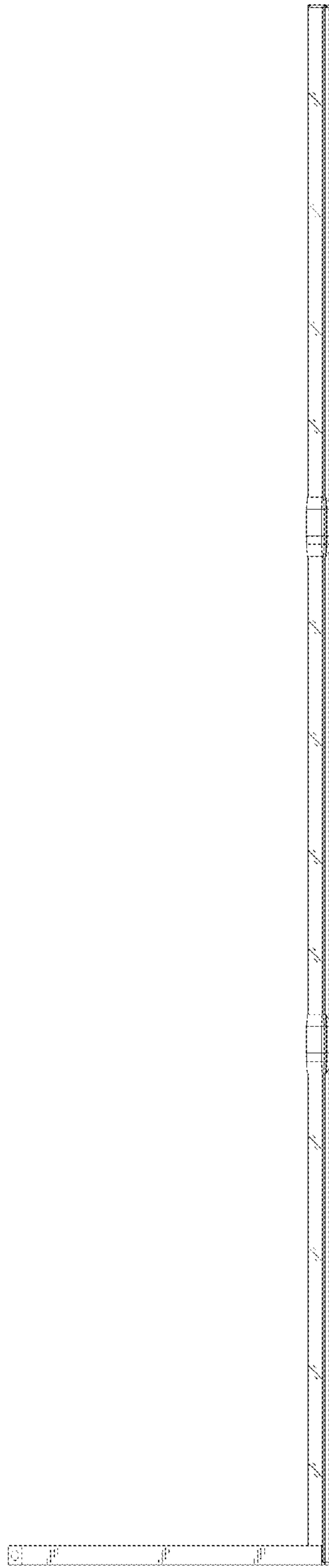


FIG. 6

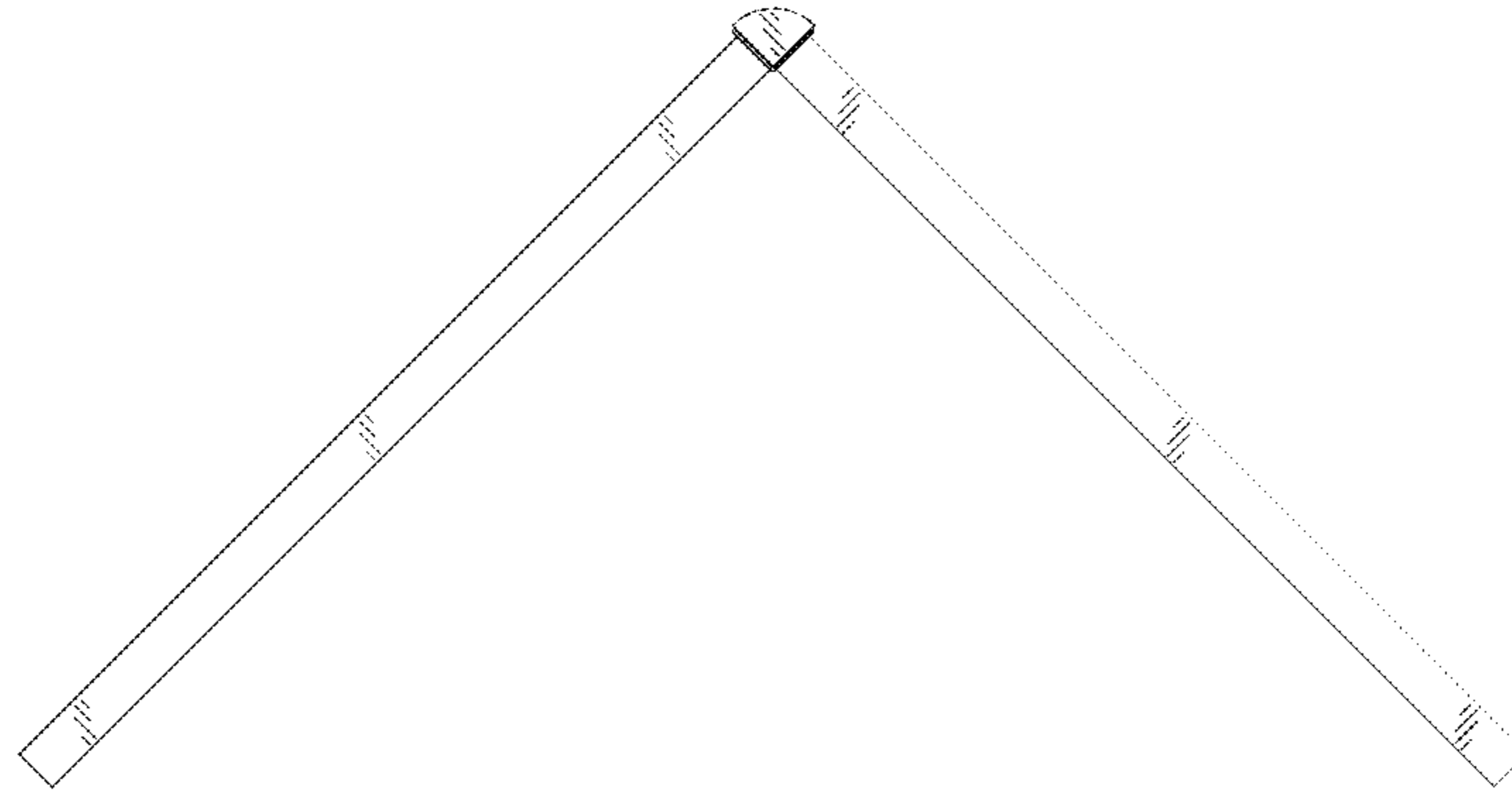


FIG. 7

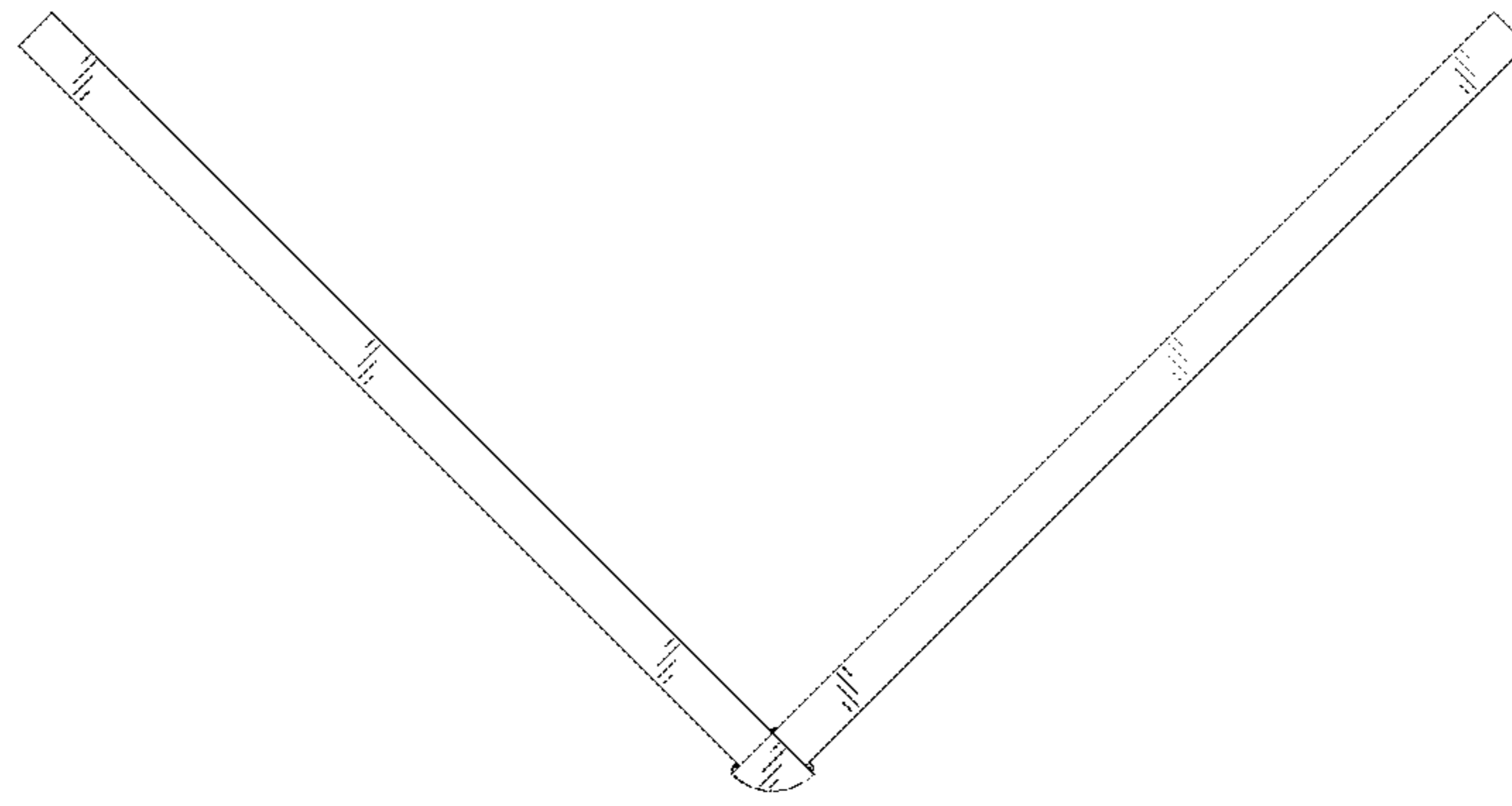


FIG. 8

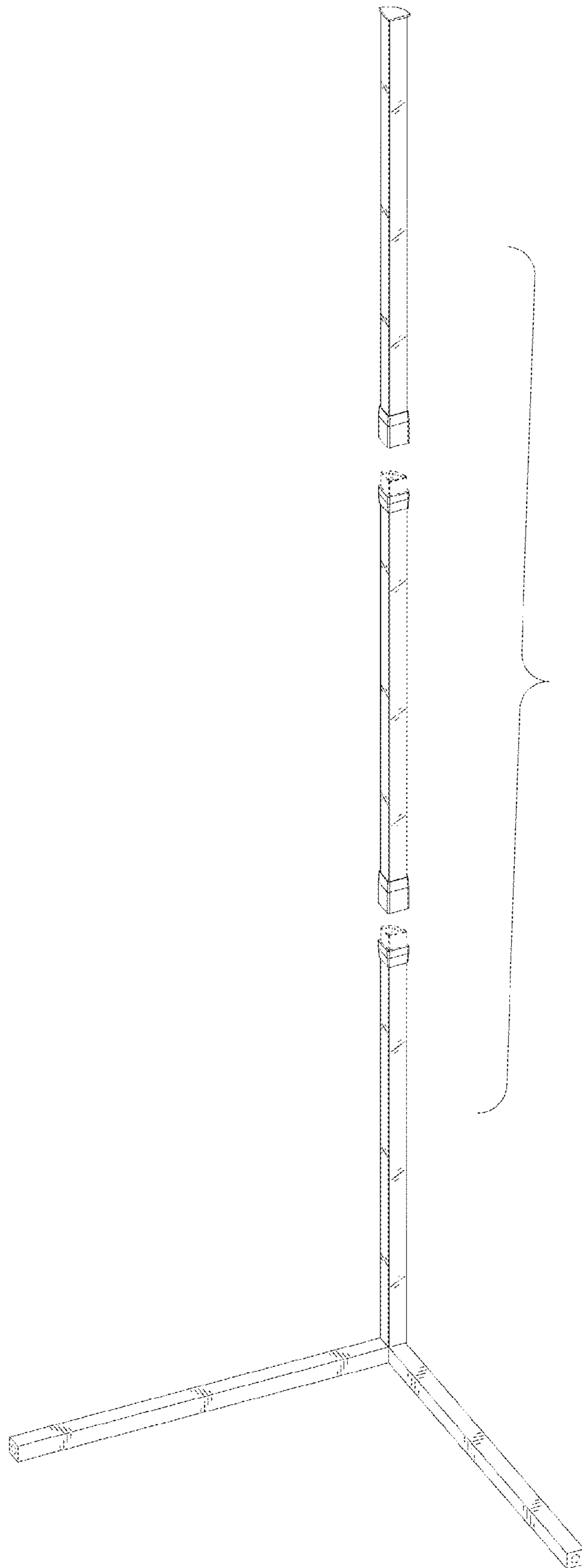


FIG. 9

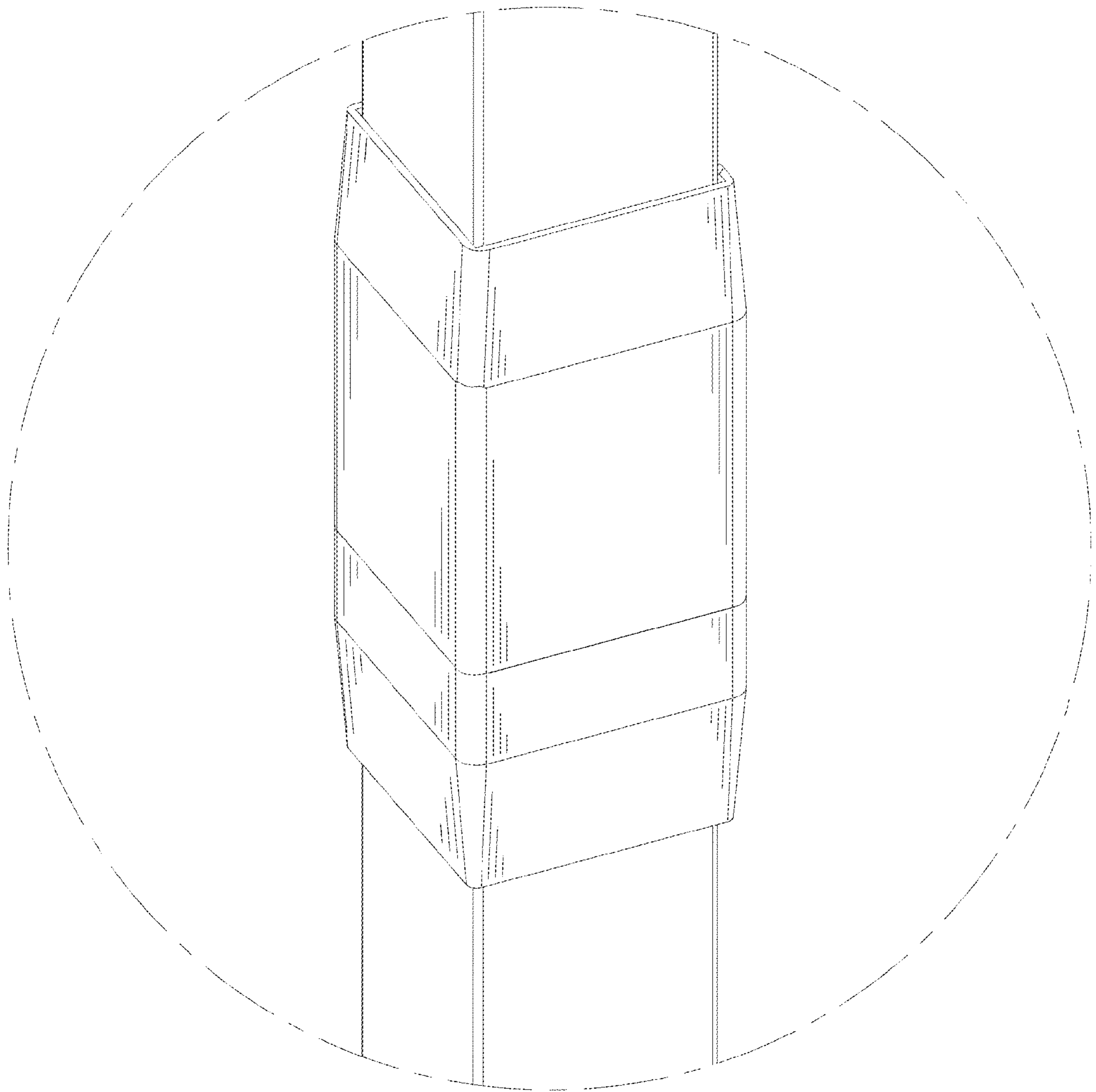


FIG. 10