



US00D950134S

(12) **United States Design Patent**
Hsu

(10) **Patent No.:** **US D950,134 S**

(45) **Date of Patent:** **** Apr. 26, 2022**

(54) **WALL LAMP**

(71) Applicant: **Dong Guan Jia Sheng Lighting Technology Co., Ltd. China,**
Dong-Guna (CN)

(72) Inventor: **Kevin Hsu,** Taichung (TW)

(73) Assignee: **Dong Guan Jia Sheng Lighting Technology Co., Ltd. China,**
Guang-Dong (CN)

(**) Term: **15 Years**

(21) Appl. No.: **29/719,852**

(22) Filed: **Jan. 8, 2020**

(51) **LOC (13) Cl.** **25-05**

(52) **U.S. Cl.**
USPC **D26/87**

(58) **Field of Classification Search**
USPC D10/111–115; D26/24, 26, 34, 44, 51,
D26/58, 60, 61, 63, 67, 68, 71, 72, 74,
D26/75, 76, 78, 80–89, 92, 93, 102, 104,
D26/106, 108, 110, 113, 117, 118, 119,
D26/120, 121, 135, 137, 141, 142, 148
CPC F21S 8/00; F21S 8/02; F21S 8/03; F21S
8/032; F21S 8/033; F21S 8/036; F21S
8/04; F21S 8/043; F21S 8/08; F21S
8/081; F21S 8/086; F21S 8/088; F21S
9/00; F21S 9/03; F21S 9/032; F21S
9/035; F21S 9/037

See application file for complete search history.

(56) **References Cited**

U.S. PATENT DOCUMENTS

D300,372 S * 3/1989 O'Dohanue D26/67
D311,964 S * 11/1990 Wan D26/40
D429,354 S * 8/2000 Petterson D26/40

D461,577 S * 8/2002 Cheong D26/67
D485,928 S * 1/2004 Leung D26/40
D487,597 S * 3/2004 Leung D26/40
D491,685 S * 6/2004 Pu D26/67
D505,216 S * 5/2005 Chen D26/40
D509,920 S * 9/2005 Fritz D26/40
D533,677 S * 12/2006 Broughton D26/87
D546,991 S * 7/2007 Poon D26/40
D556,928 S * 12/2007 Poon D26/40
D559,418 S * 1/2008 Poon D26/40
D650,105 S * 12/2011 Crawford D26/41
D670,013 S * 10/2012 Bertken D26/40
D670,014 S * 10/2012 Bertken D26/40
D674,945 S * 1/2013 Bertken D26/40
D843,038 S * 3/2019 Vyvey D26/40
10,753,599 B1 * 8/2020 Hsu H04R 1/028
10,823,394 B1 * 11/2020 Hsu F21L 4/00
2021/0088204 A1 * 3/2021 Hsu F21V 21/0824

* cited by examiner

Primary Examiner — Kevin K Rudzinski

Assistant Examiner — Richard Kearney

(74) *Attorney, Agent, or Firm* — Karin L. Williams; Alan D. Kamrath; Mayer & Williams PC

(57) **CLAIM**

The ornamental design for a wall lamp, as shown and described.

DESCRIPTION

FIG. 1 is a perspective view of a wall lamp showing my design.

FIG. 2 is a front elevational view thereof.

FIG. 3 is a rear elevational view thereof.

FIG. 4 is a left side elevational view thereof.

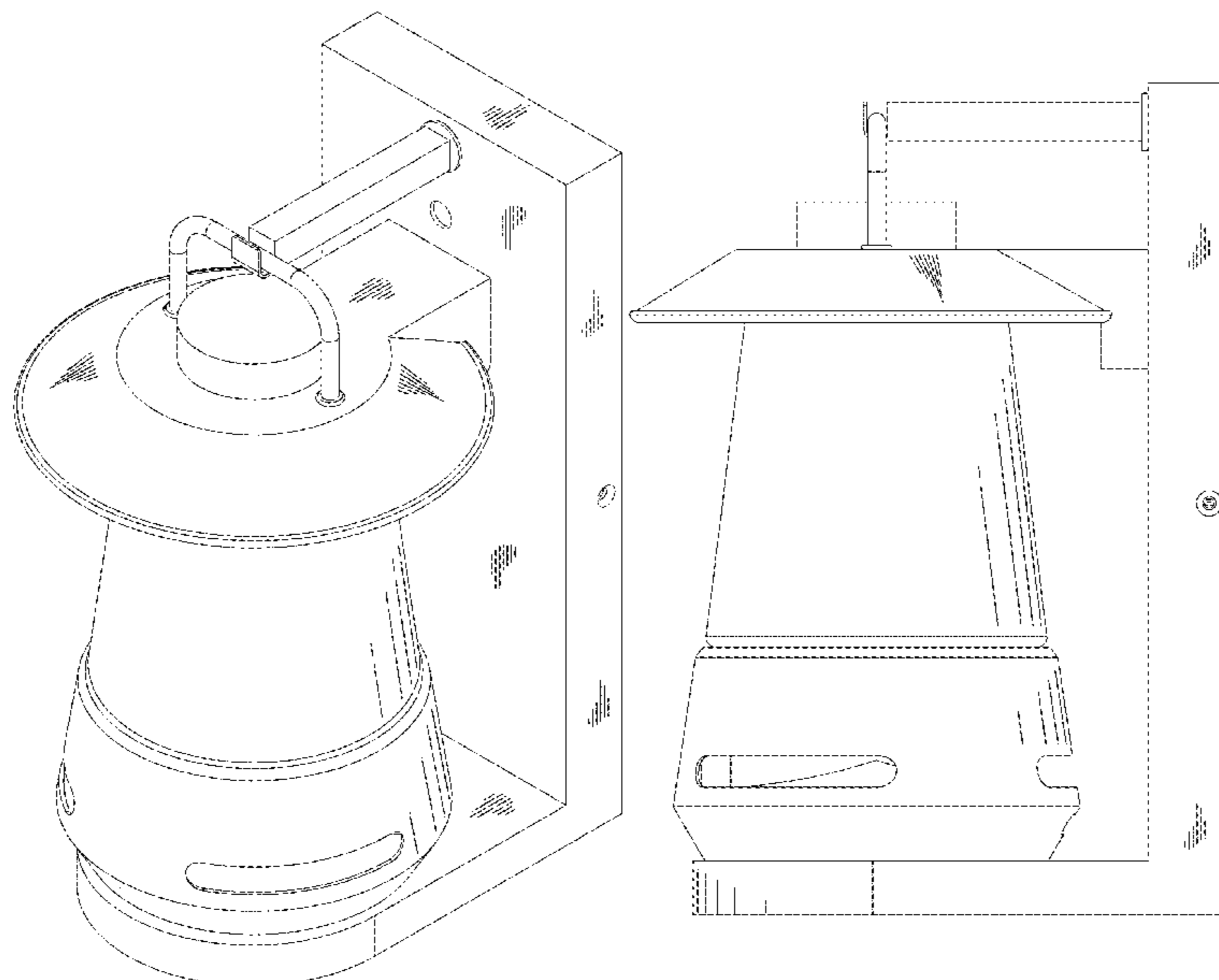
FIG. 5 is a right side elevational view thereof.

FIG. 6 is a top plan view thereof; and,

FIG. 7 is a bottom plan view thereof.

The broken lines shown in the drawings illustrate portions of the article and form no part of the claimed design.

1 Claim, 7 Drawing Sheets



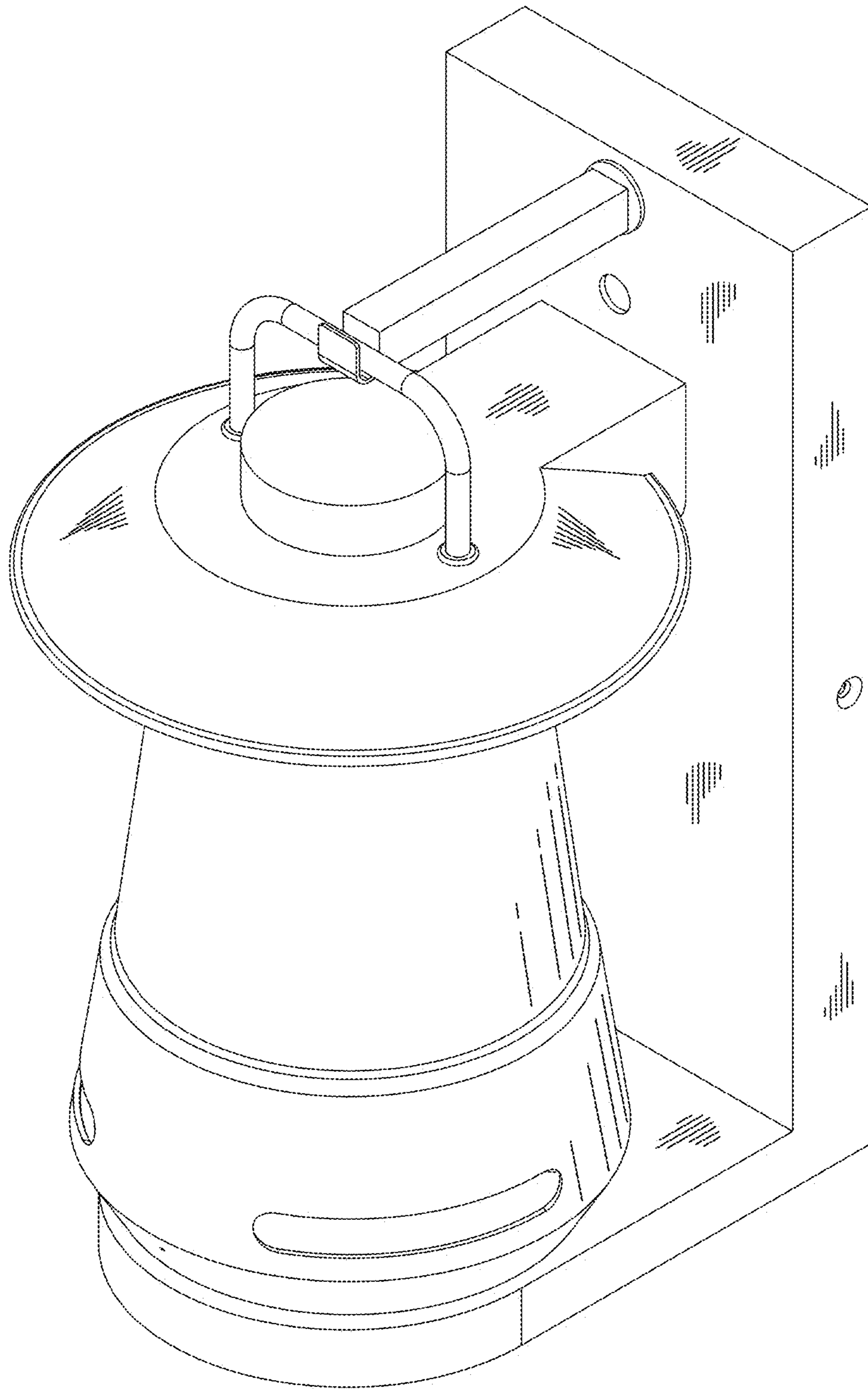


FIG.1

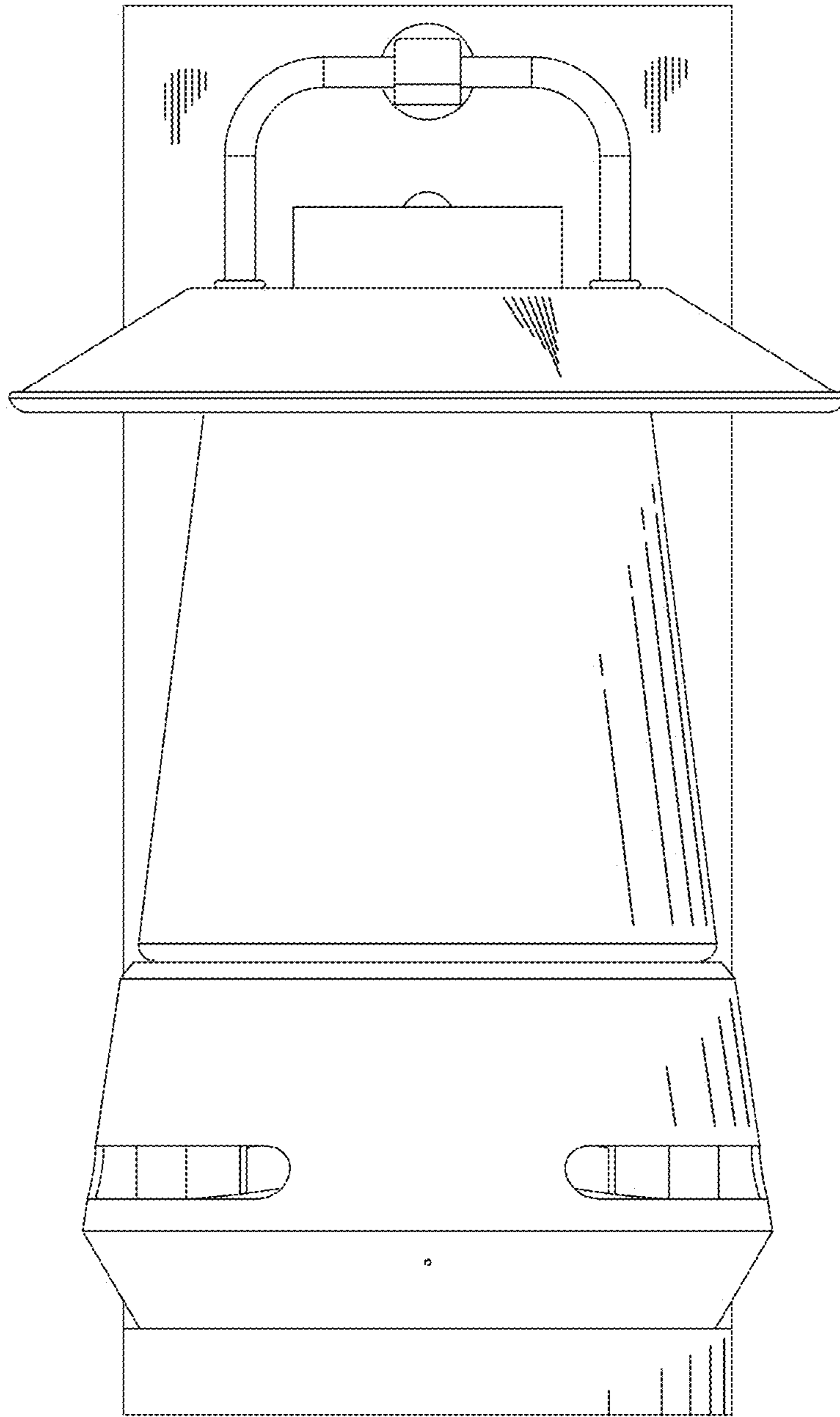


FIG. 2

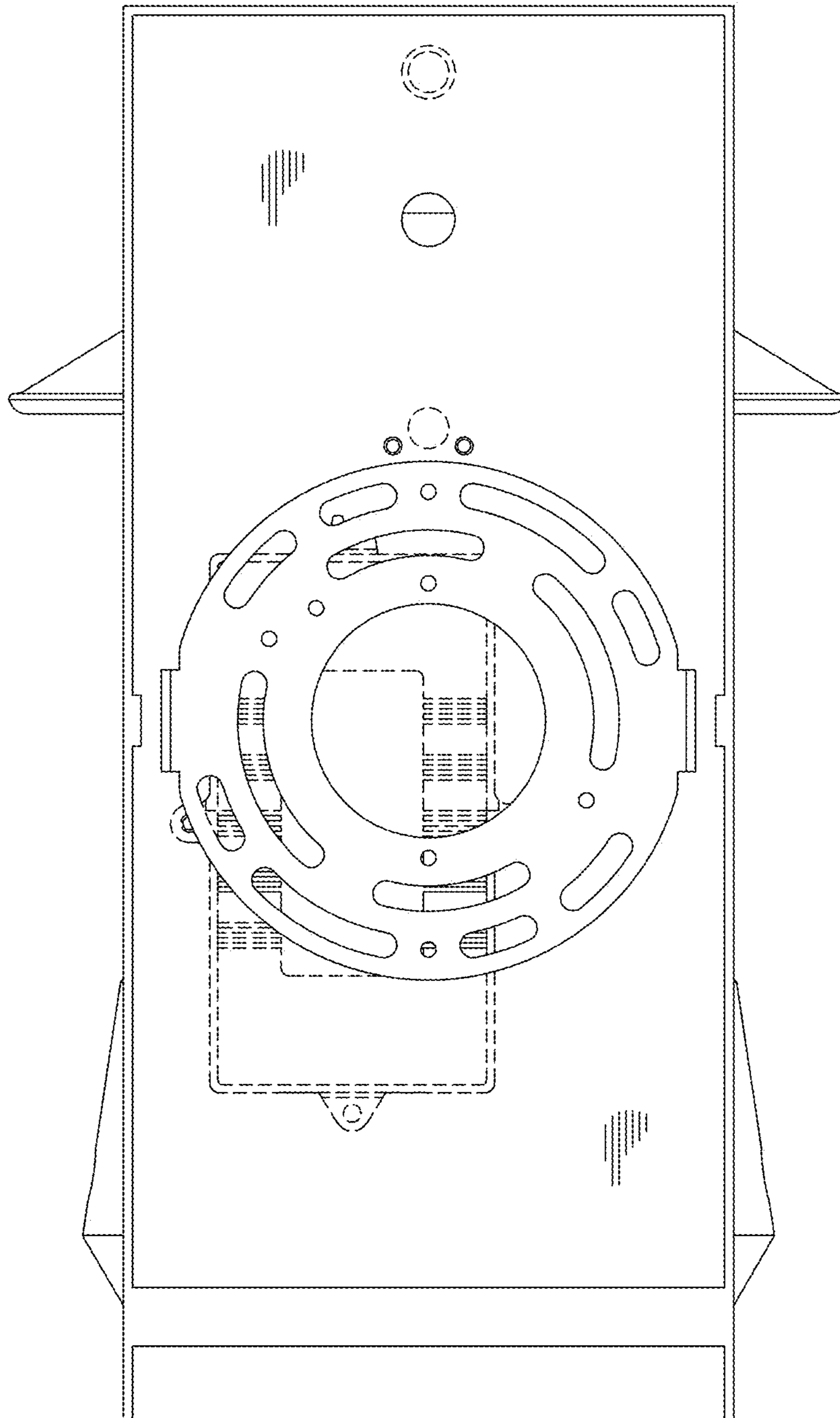


FIG. 3

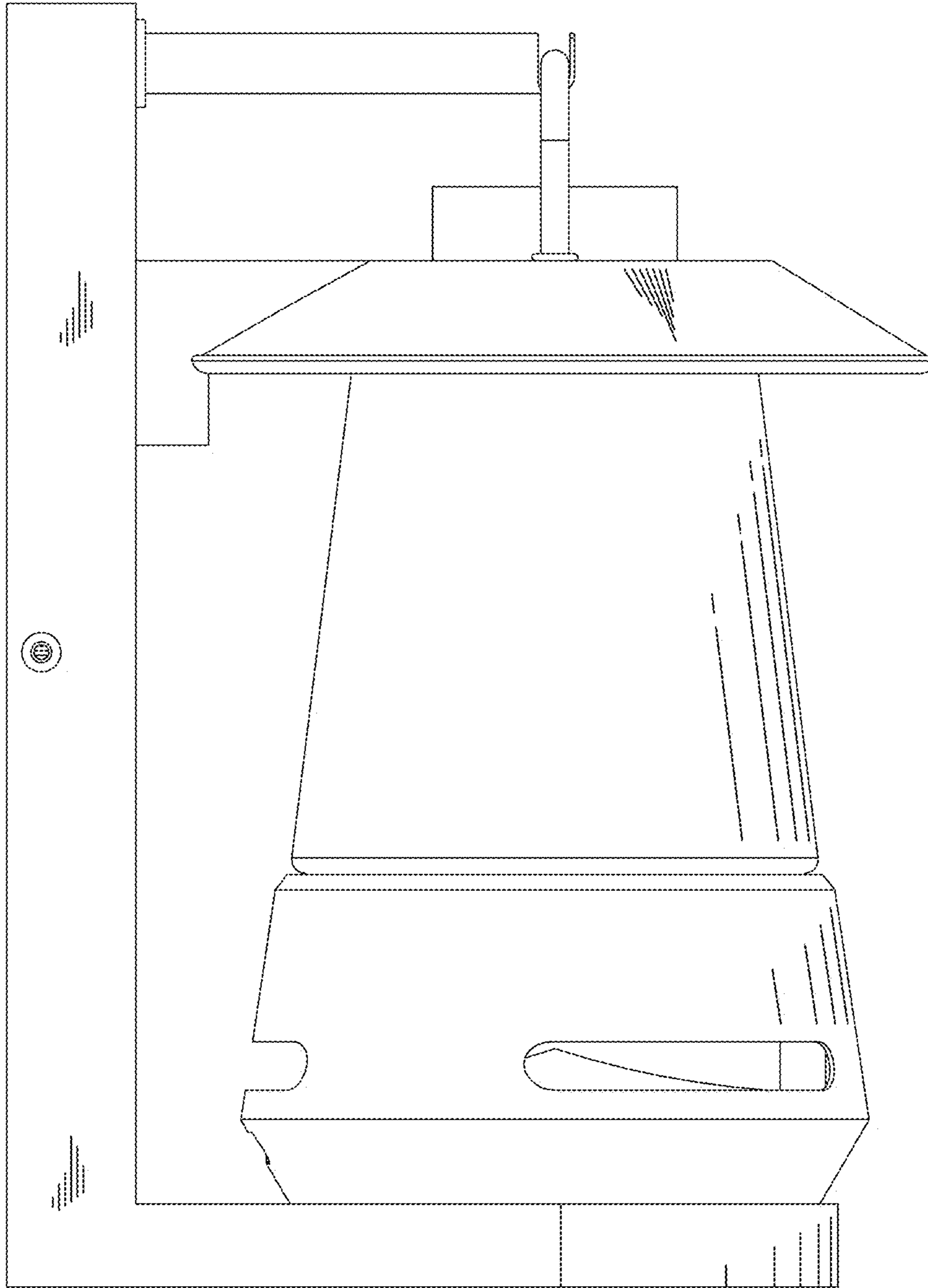


FIG.4

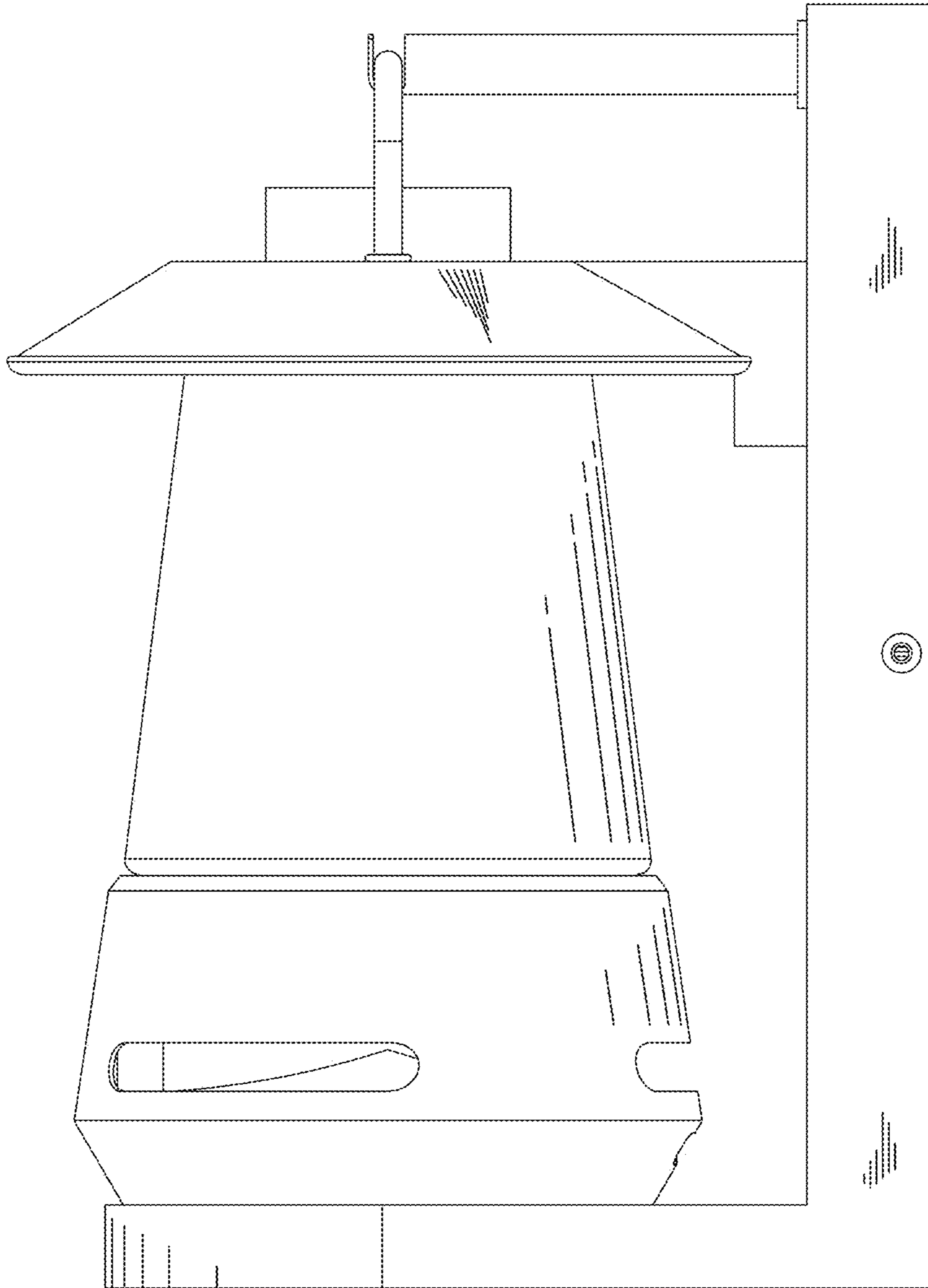


FIG.5

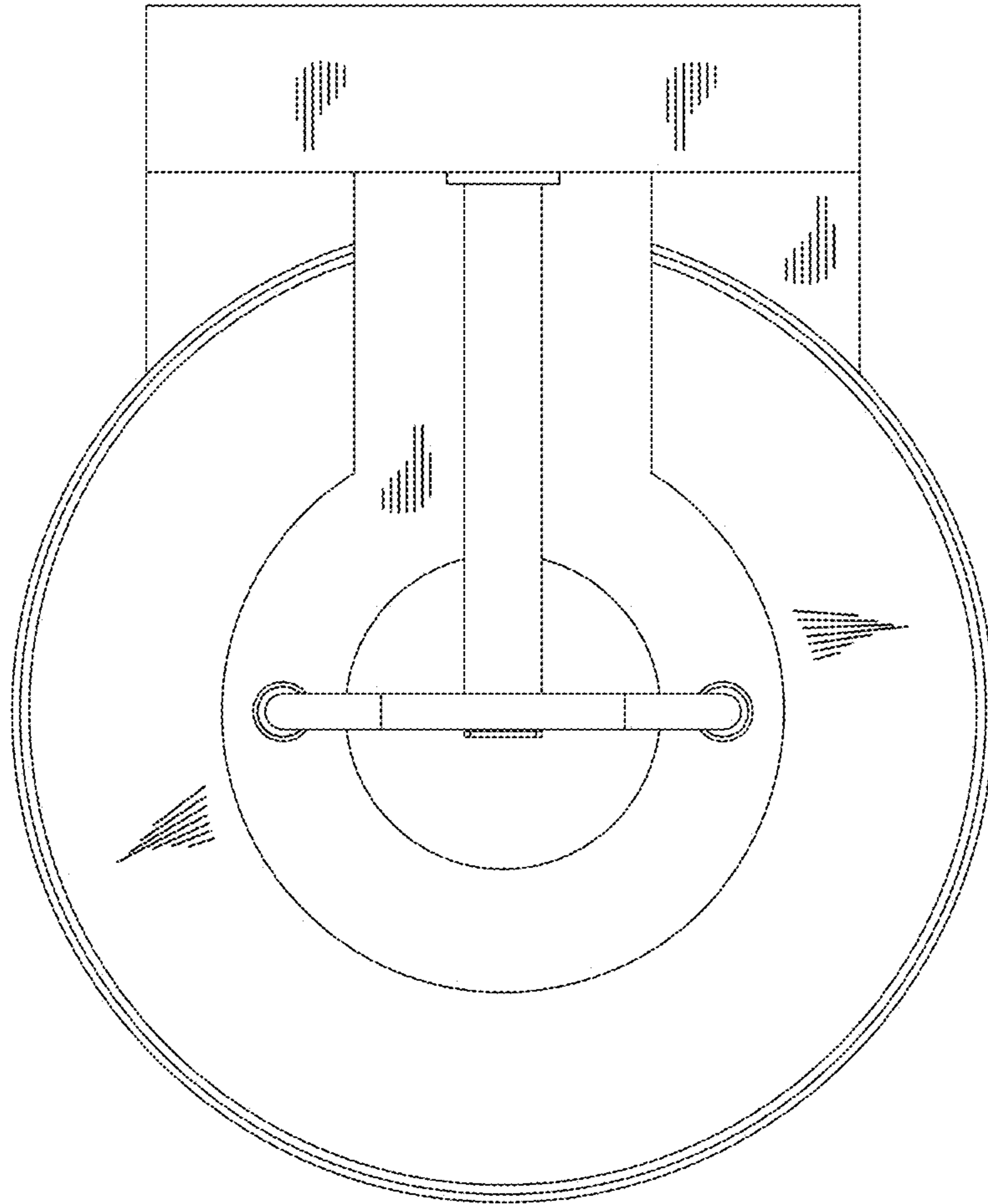


FIG.6

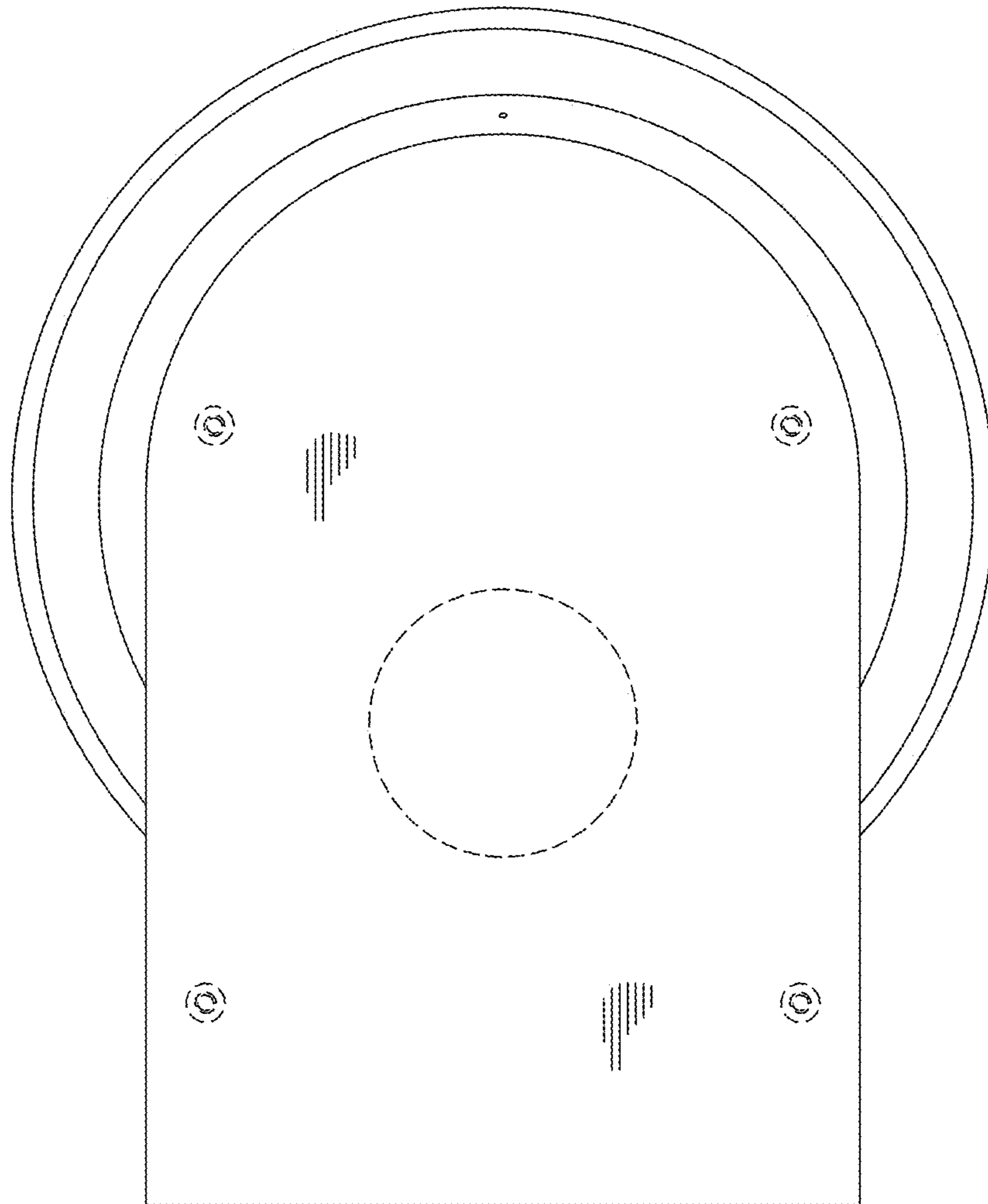


FIG. 7