



US00D950133S

(12) **United States Design Patent** (10) **Patent No.:** **US D950,133 S**  
**Lin** (45) **Date of Patent:** **\*\* Apr. 26, 2022**

(54) **LIGHT**

(71) Applicant: **Meimei Lin**, Zhanjiang (CN)

(72) Inventor: **Meimei Lin**, Zhanjiang (CN)

(\*\*) Term: **15 Years**

(21) Appl. No.: **29/785,227**

(22) Filed: **May 24, 2021**

(51) **LOC (13) Cl.** ..... **26-03**

(52) **U.S. Cl.**  
USPC ..... **D26/86**

(58) **Field of Classification Search**  
USPC ..... D26/72, 80, 84-88, 92, 118  
CPC .. F21S 8/033; F21S 8/035; F21S 8/036; F21S  
8/046  
See application file for complete search history.

(56) **References Cited**

**U.S. PATENT DOCUMENTS**

D298,059 S *	10/1988	Muller	.....	D26/86
D608,488 S *	1/2010	Miranda	.....	D26/86
D646,424 S *	10/2011	Ho	.....	D26/85
D816,882 S *	5/2018	Qiao	.....	D26/86
D860,502 S	9/2019	Gregory		
D869,730 S *	12/2019	Lin	.....	D26/80
D879,353 S *	3/2020	Lin	.....	D26/86
D888,316 S *	6/2020	Huang	.....	D26/80
D908,265 S *	1/2021	Zheng	.....	D26/86
D908,945 S *	1/2021	Zheng	.....	D26/86
D913,574 S	3/2021	Kujawa et al.		
D914,266 S *	3/2021	Wang	.....	D26/87
D925,807 S *	7/2021	Chen	.....	D26/86
D933,873 S *	10/2021	Lin	.....	D26/80
2013/0077295 A1 *	3/2013	Hayashi	.....	F21V 7/04 362/217.05

**OTHER PUBLICATIONS**

Solfart Dimmable Vanity Light Fixture, ASIN: B098J857T8. Available from amazon.com Jul. 2, 2021. (Year: 2021).\*

(Continued)

*Primary Examiner* — Clare E Heflin

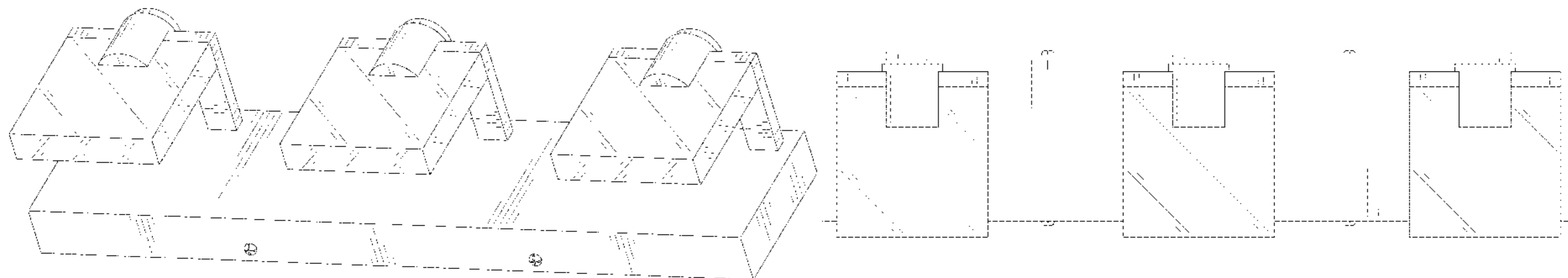
(57) **CLAIM**

The ornamental design for a light, as shown and described.

**DESCRIPTION**

FIG. 1 is a perspective view of a first embodiment of a light showing my new design;  
 FIG. 2 is another perspective view thereof;  
 FIG. 3 is a front elevational view thereof;  
 FIG. 4 is a rear elevational view thereof;  
 FIG. 5 is a left side elevational view thereof;  
 FIG. 6 is a right side elevational view thereof;  
 FIG. 7 is a top plan view thereof;  
 FIG. 8 is a bottom plan view thereof;  
 FIG. 9 is a perspective view of a second embodiment of the light showing my new design;  
 FIG. 10 is another perspective view thereof;  
 FIG. 11 is a front elevational view thereof;  
 FIG. 12 is a rear elevational view thereof;  
 FIG. 13 is a left side elevational view thereof;  
 FIG. 14 is a right side elevational view thereof;  
 FIG. 15 is a top plan view thereof;  
 FIG. 16 is a bottom plan view thereof;  
 FIG. 17 is a perspective view of a third embodiment of the light showing my new design;  
 FIG. 18 is another perspective view thereof;  
 FIG. 19 is a front elevational view thereof;  
 FIG. 20 is a rear elevational view thereof;  
 FIG. 21 is a left side elevational view thereof;  
 FIG. 22 is a right side elevational view thereof;  
 FIG. 23 is a top plan view thereof; and,  
 FIG. 24 is a bottom plan view thereof.  
 The broken lines in the drawings depict portions of the light that form no part of the claimed design.

**1 Claim, 24 Drawing Sheets**



(56)

**References Cited**

OTHER PUBLICATIONS

Liwuu Modern LED Bathroom Vanity Light, ASIN: B08HM7PM8P.

Available from amazon.com Oct. 18, 2020. (Year: 2020).\*

Presde Modern Dimmable LED Bathroom Vanity Light Fixtures,

ASIN: B098P3GX4H. Available from amazon.com Jul. 5, 2021.

(Year: 2021).\*

Hamilton Hills Elegant Quadruple Square Bubble Glass Contemporary LED Light, ASIN: B0785VW82W. Available from amazon.com Dec. 7, 2017. (Year: 2017).\*

\* cited by examiner

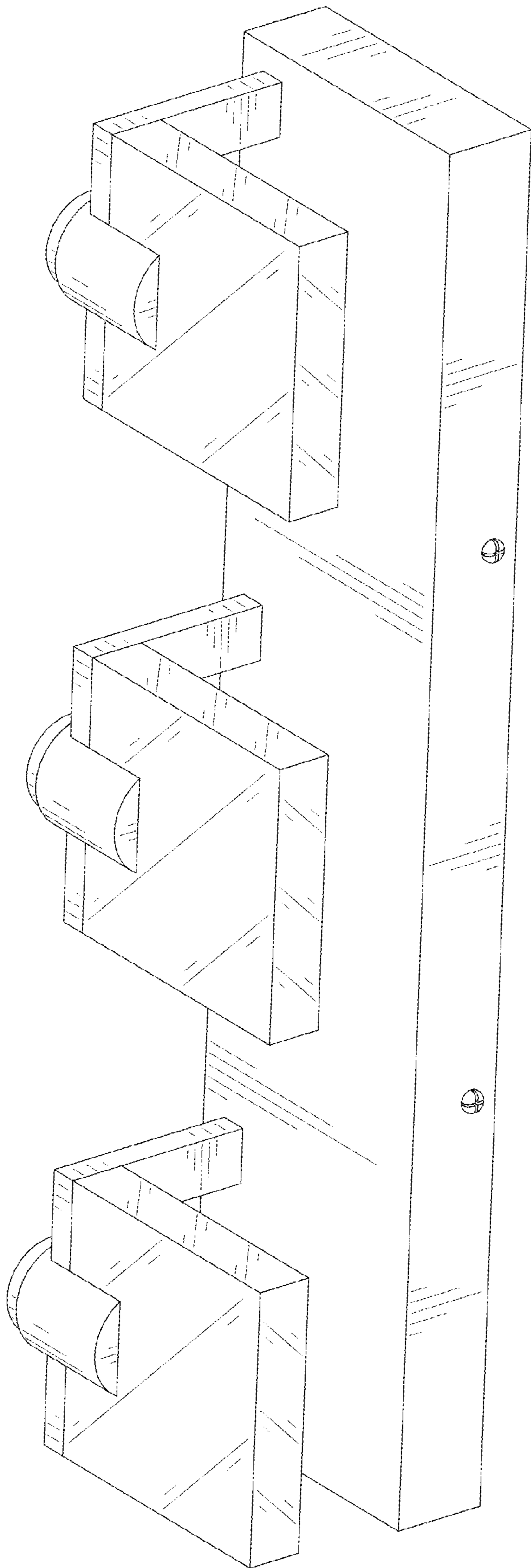


FIG. 1

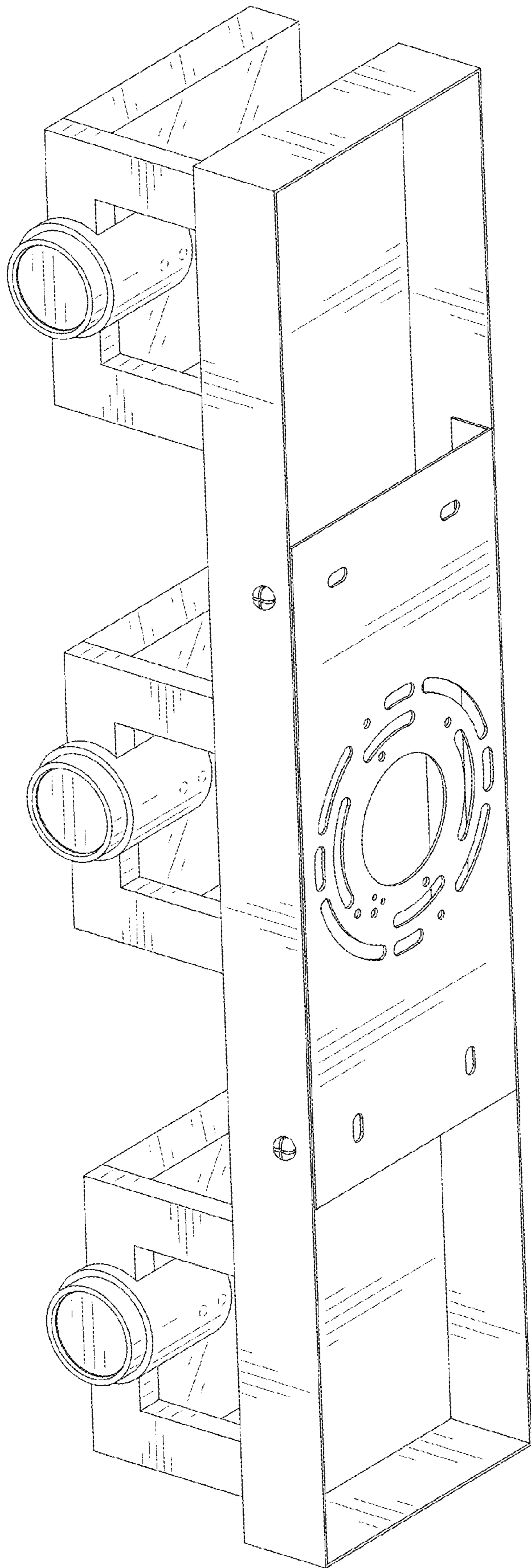


FIG. 2

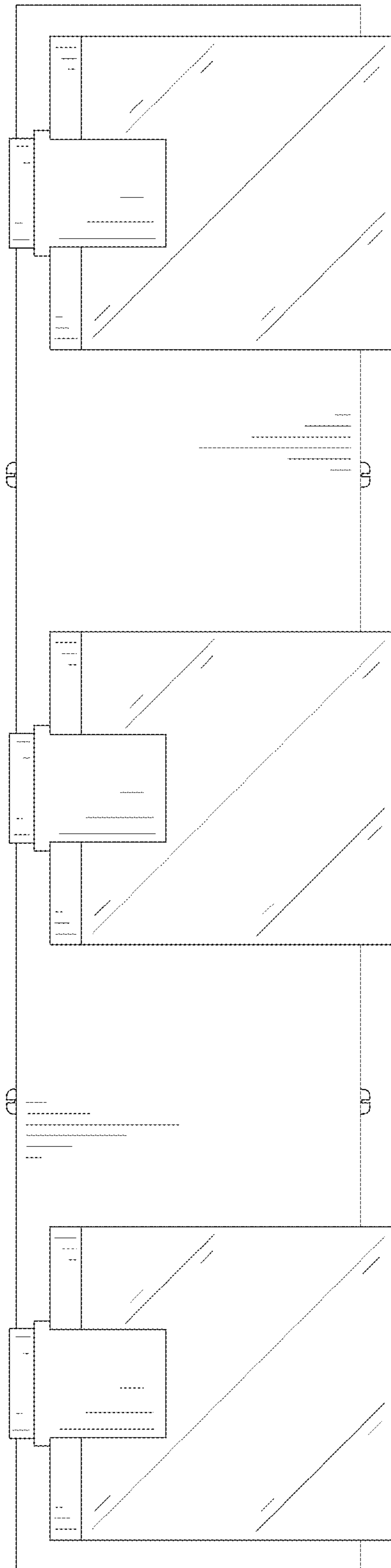


FIG. 3

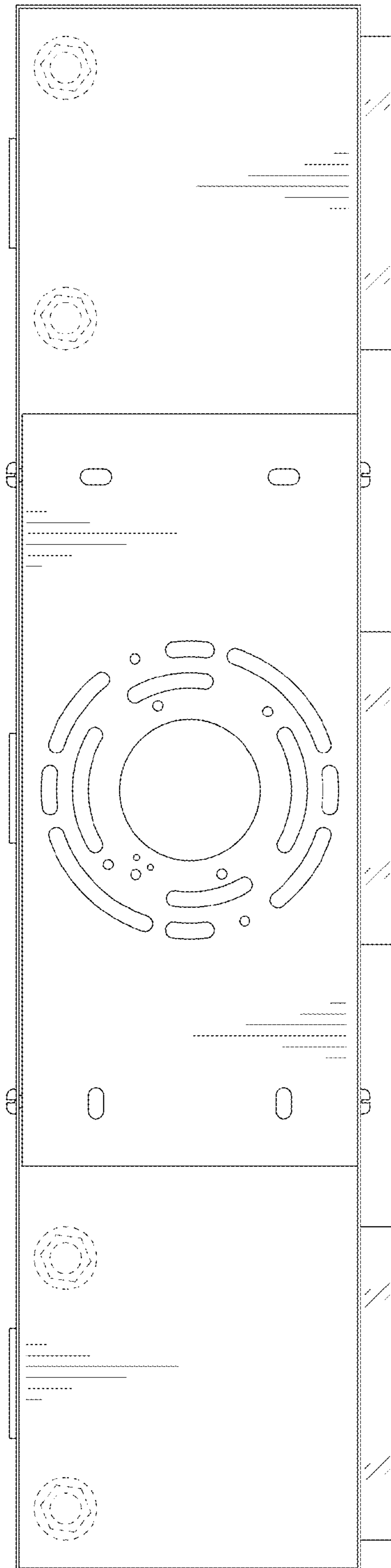


FIG. 4

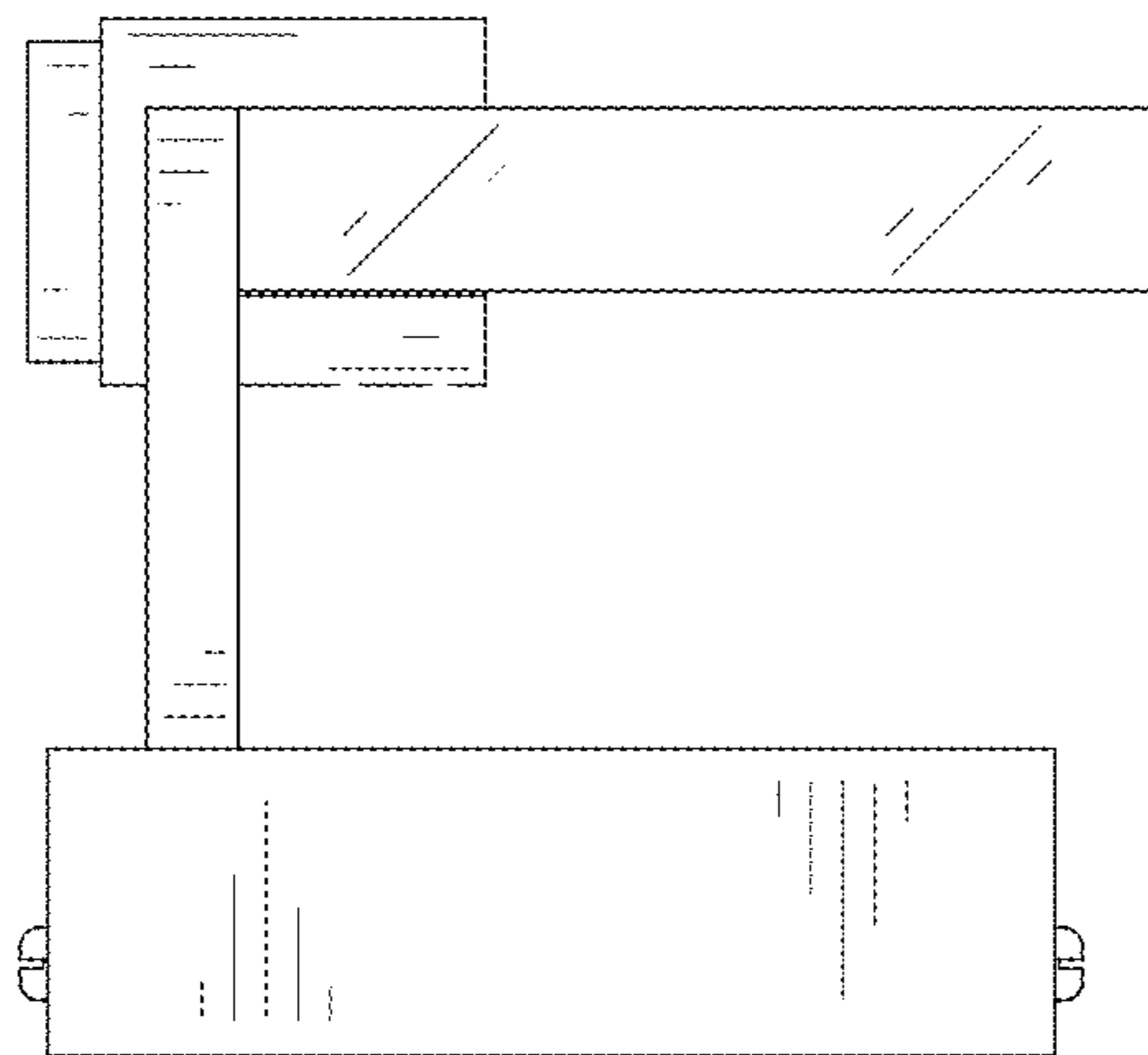


FIG. 5

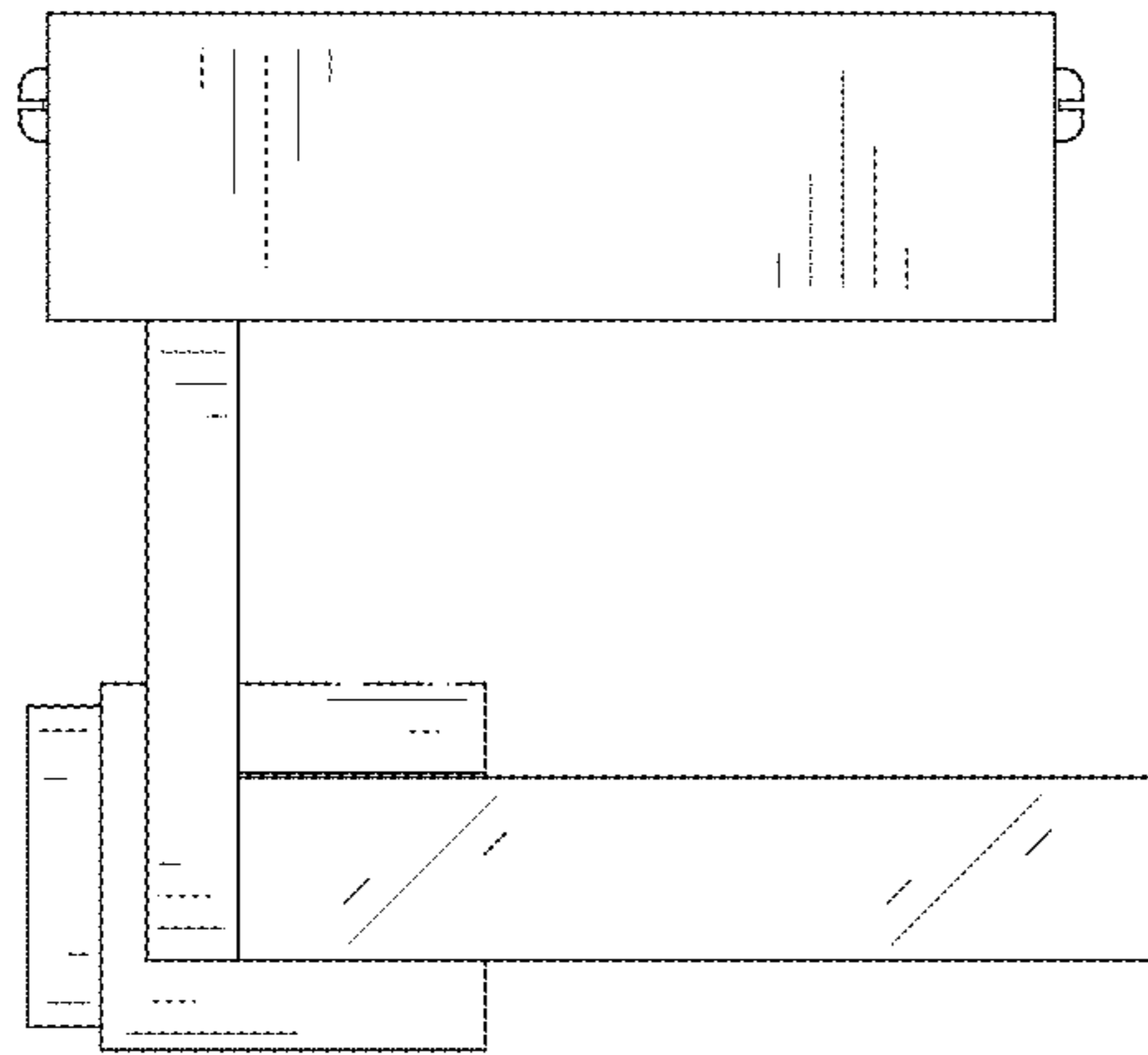


FIG. 6



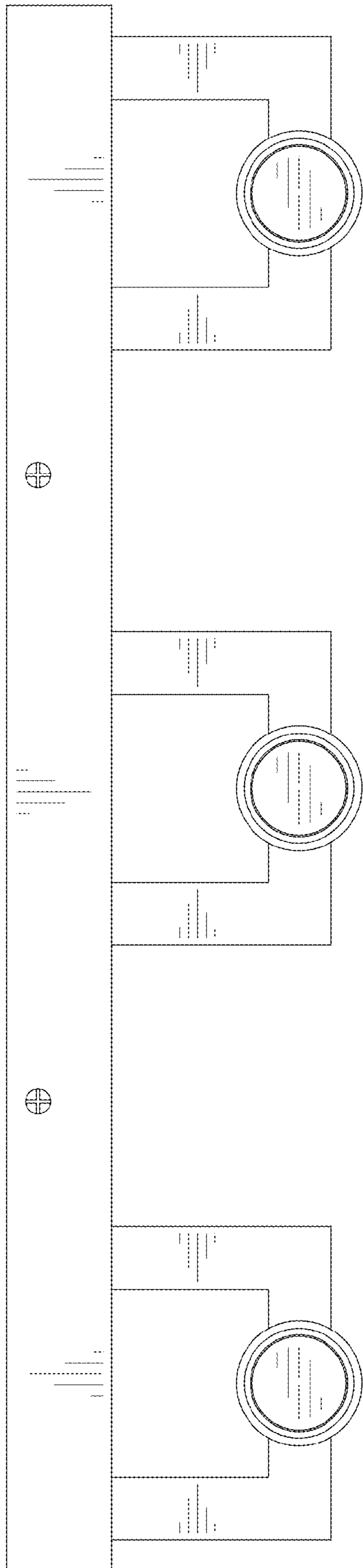


FIG. 7

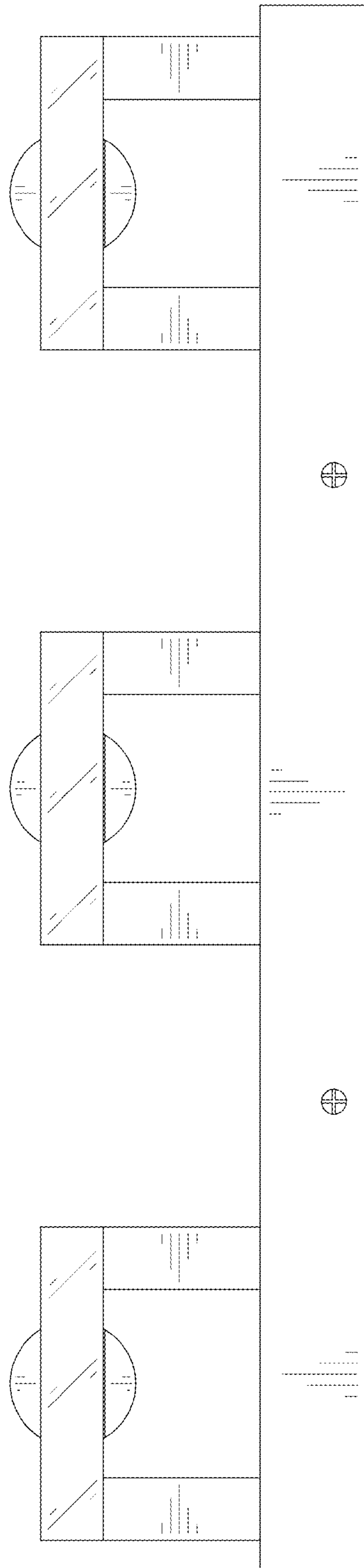


FIG. 8

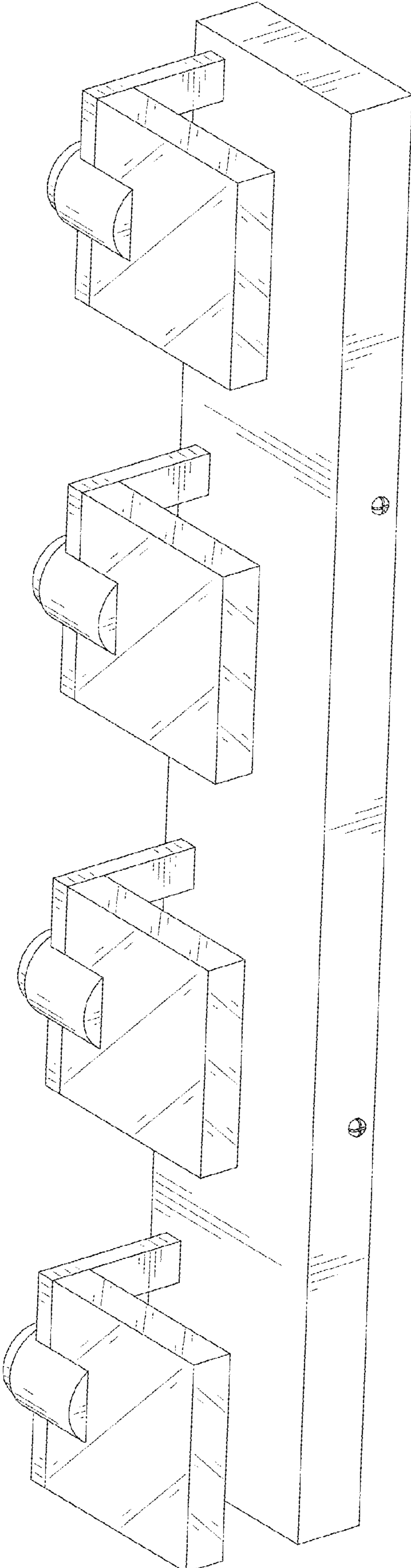


FIG. 9

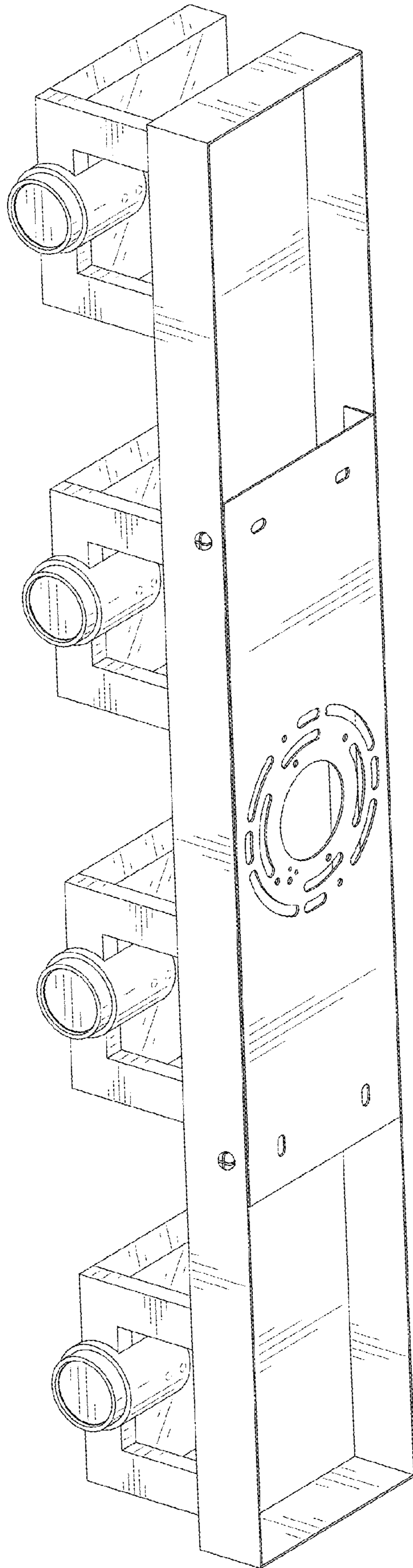


FIG. 10

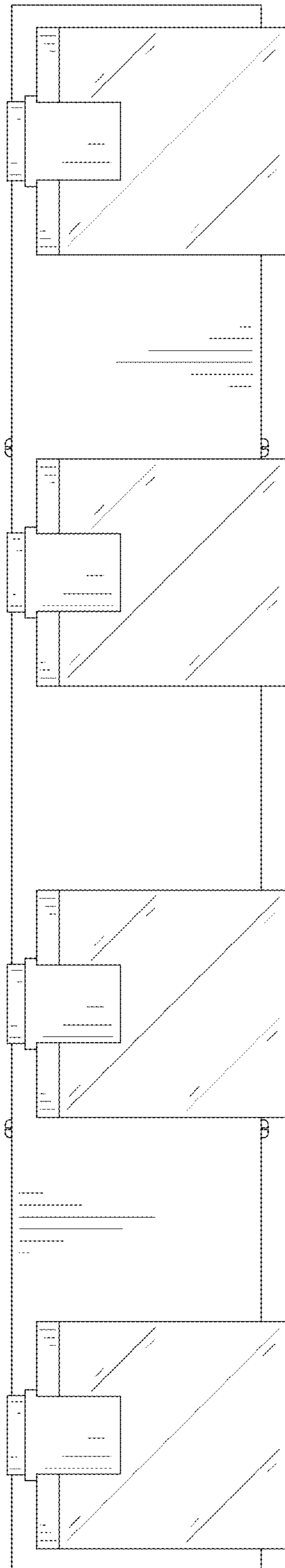


FIG. 11

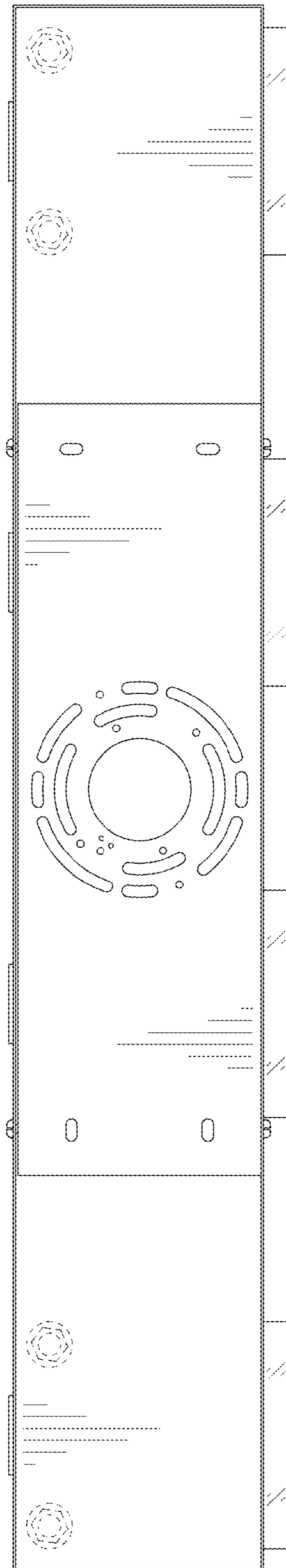


FIG. 12

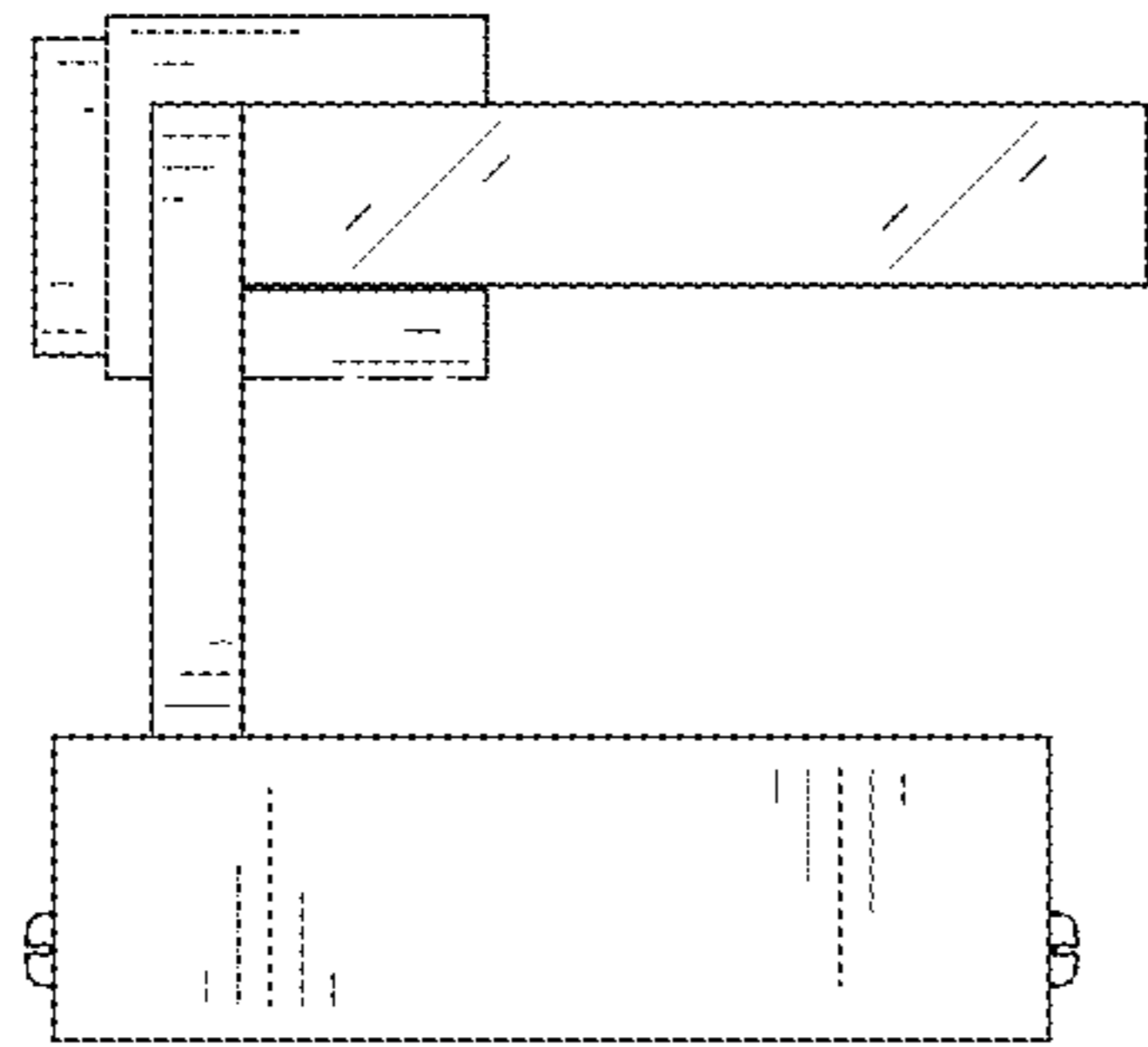


FIG. 13

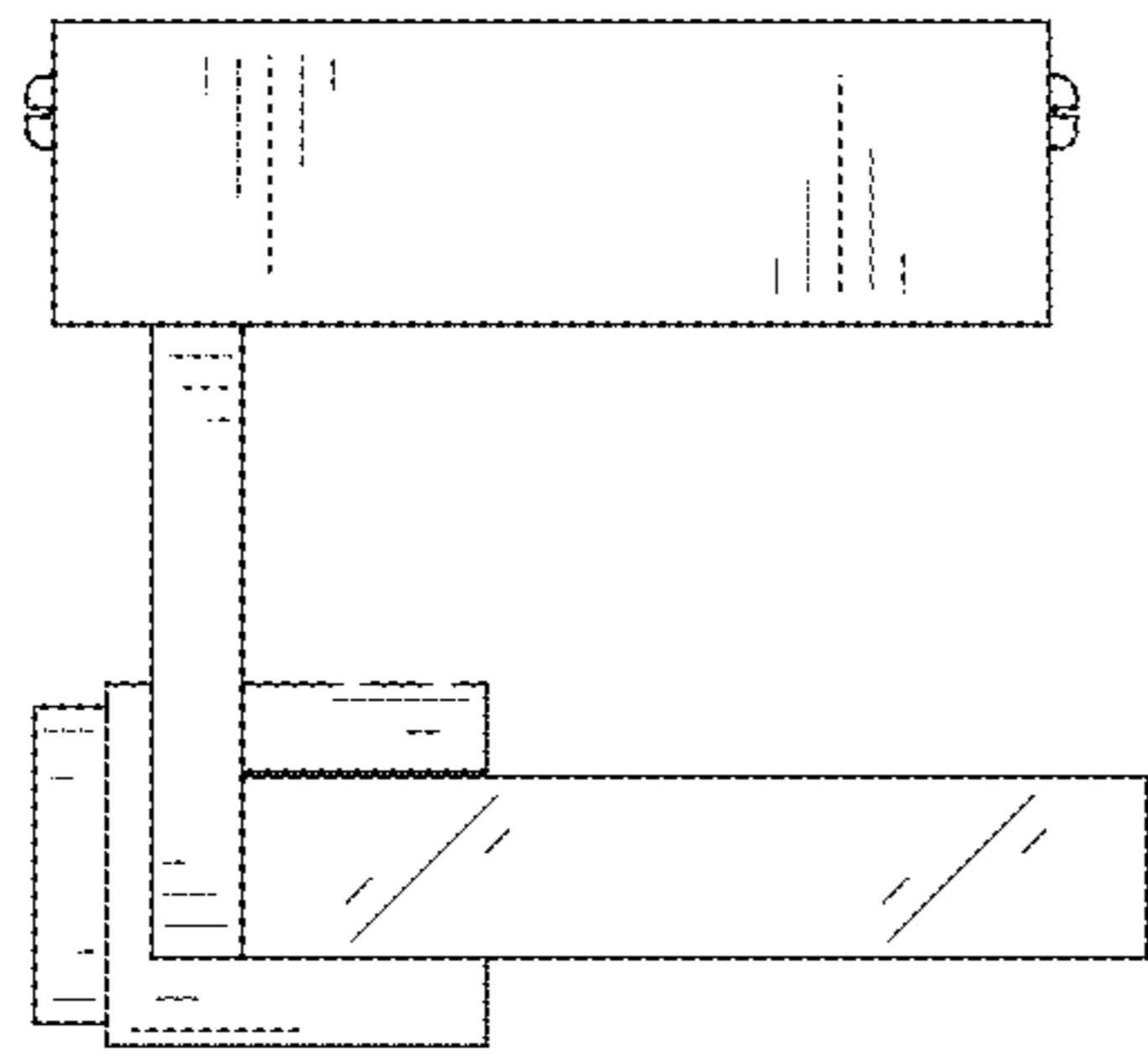


FIG. 14



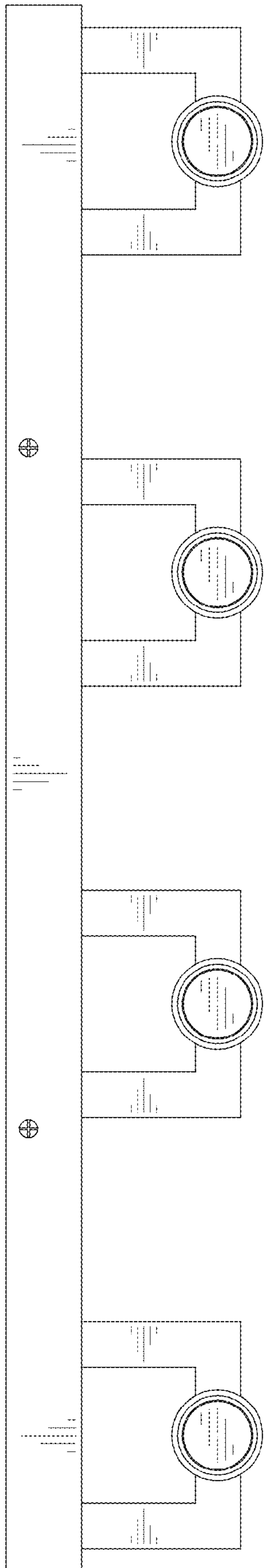


FIG. 15

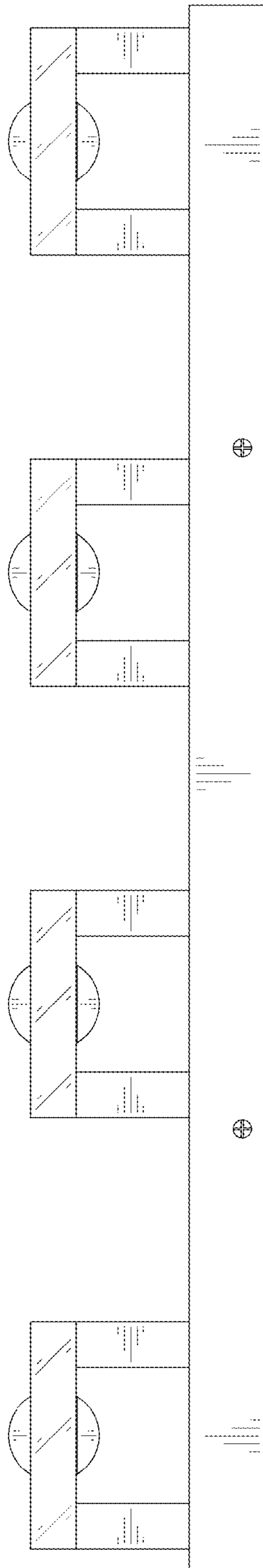


FIG. 16

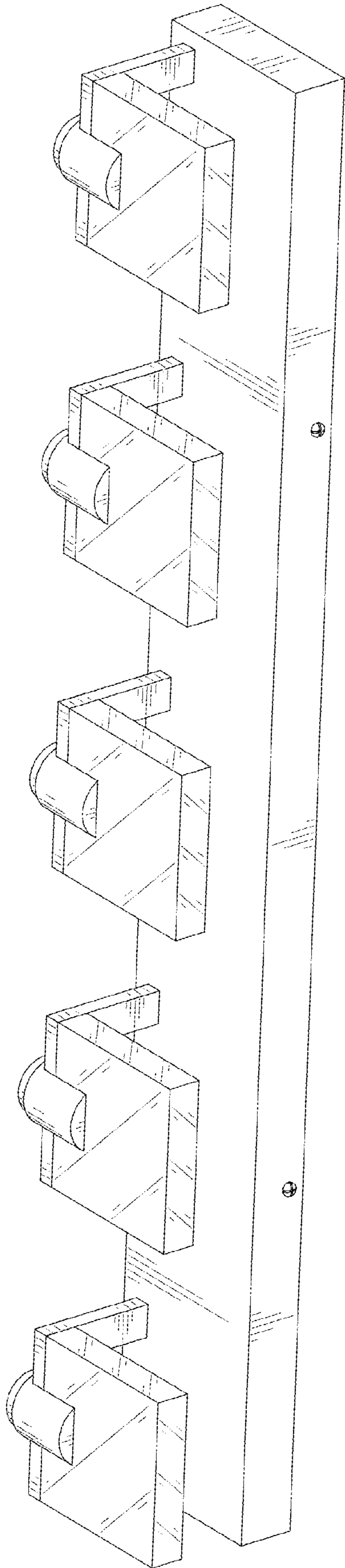


FIG. 17

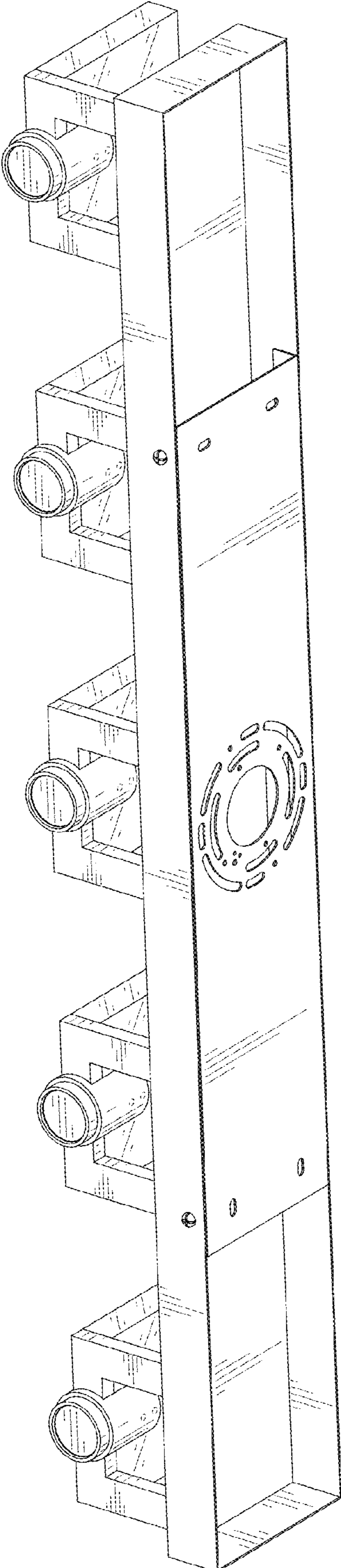


FIG. 18

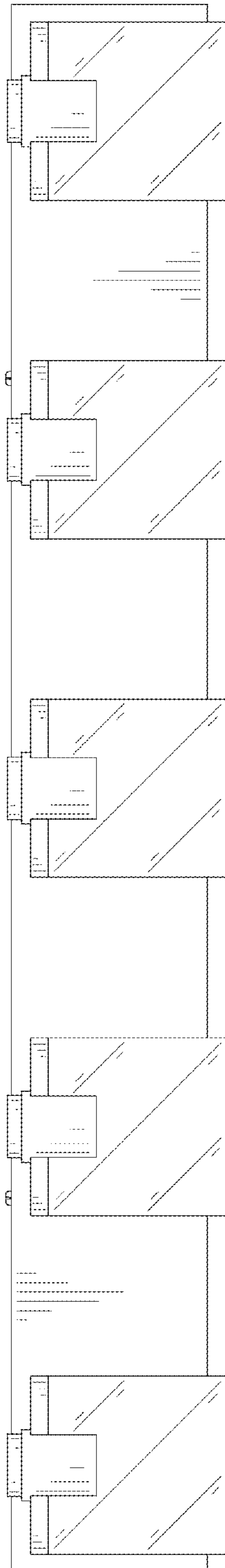


FIG. 19

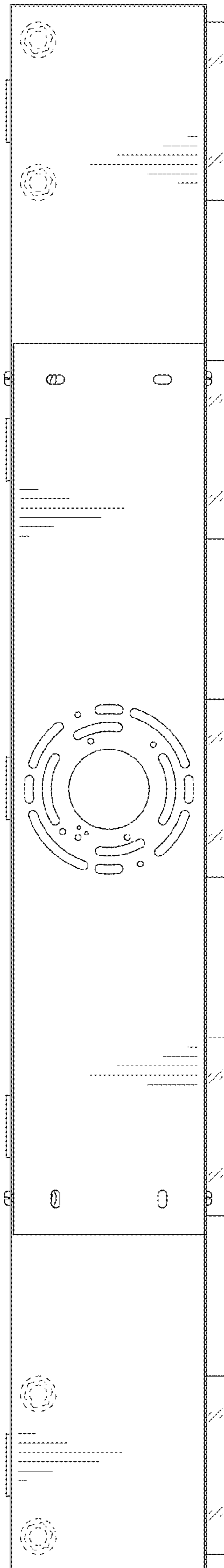


FIG.20

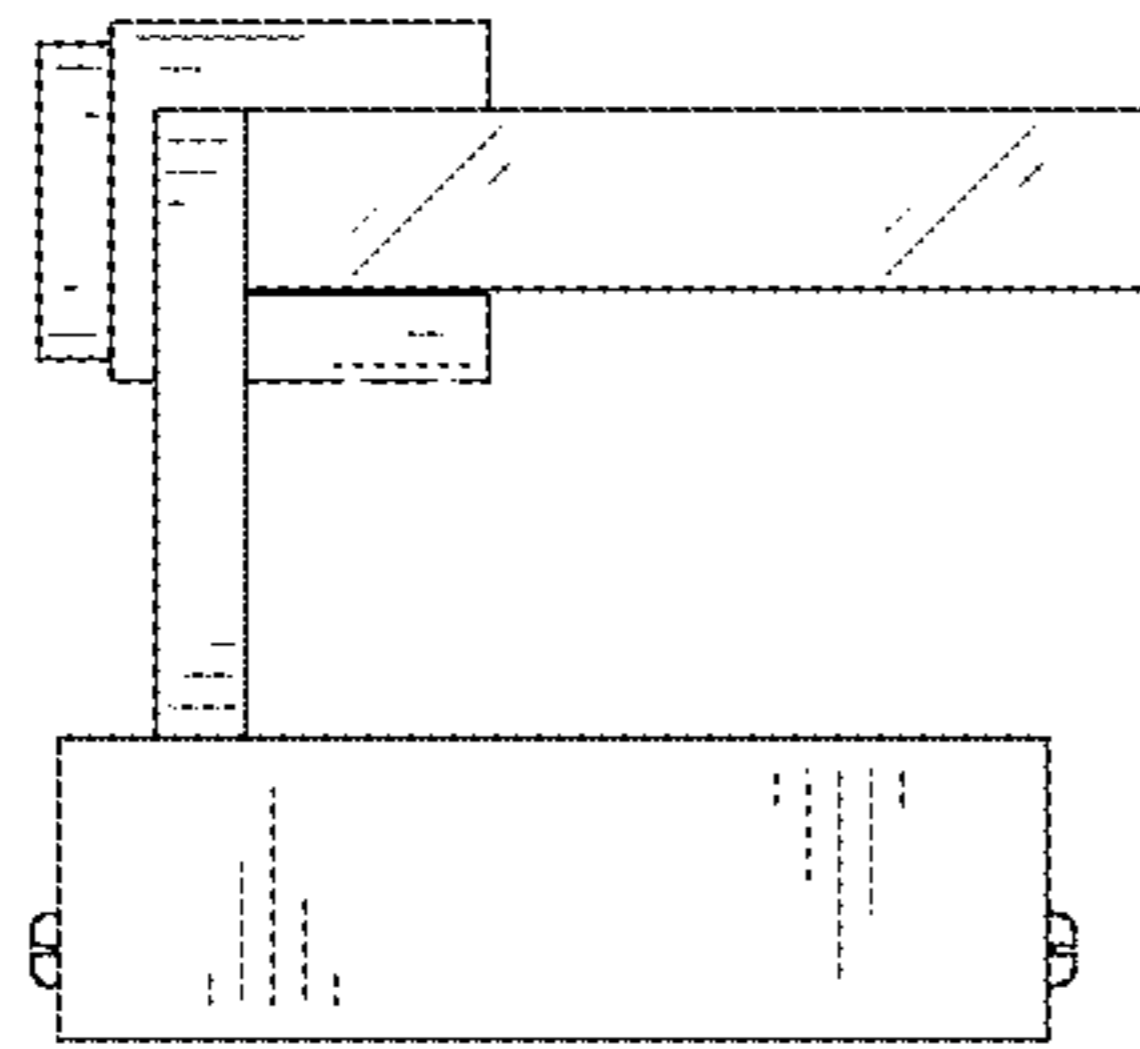


FIG. 21

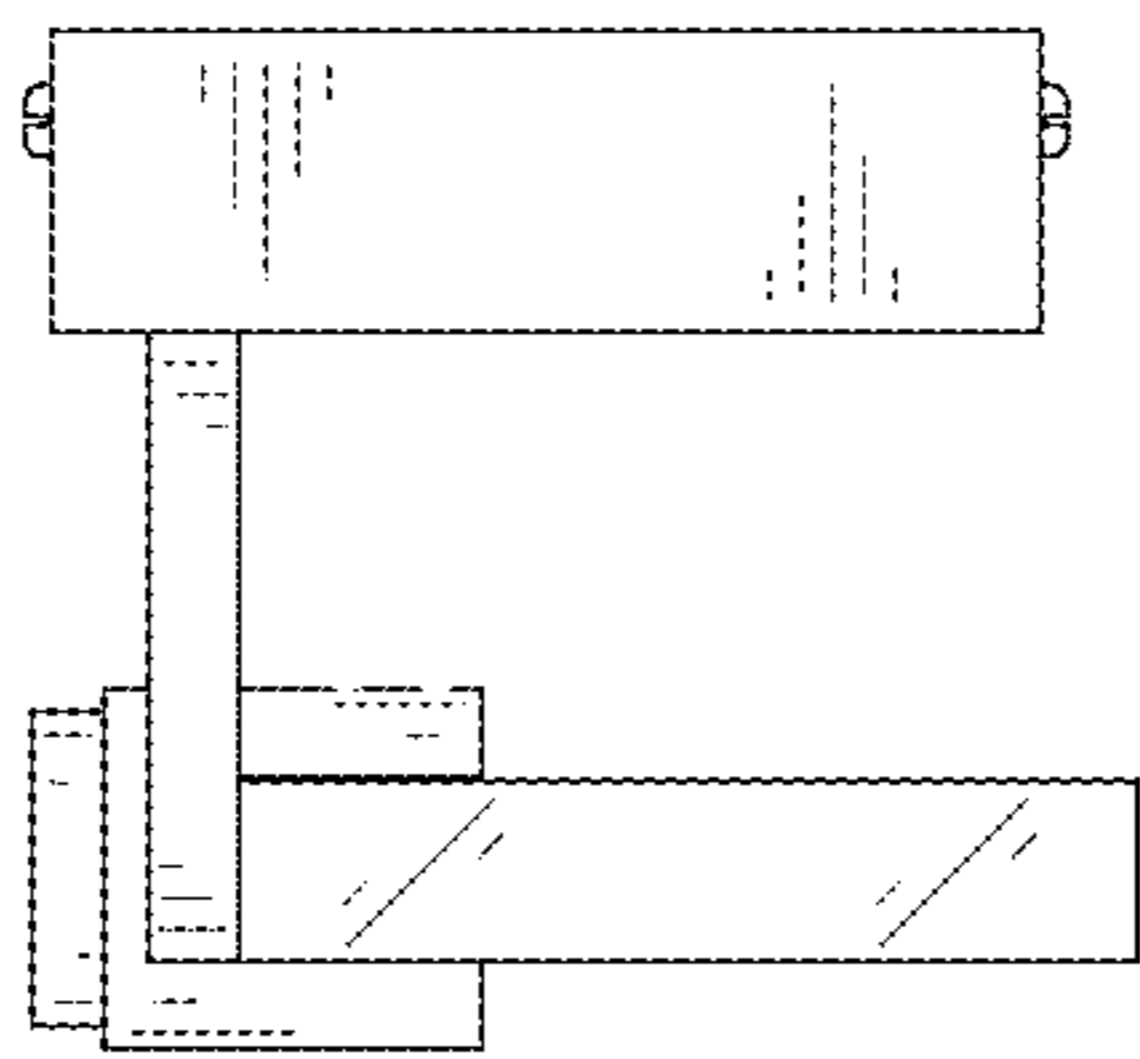


FIG. 22



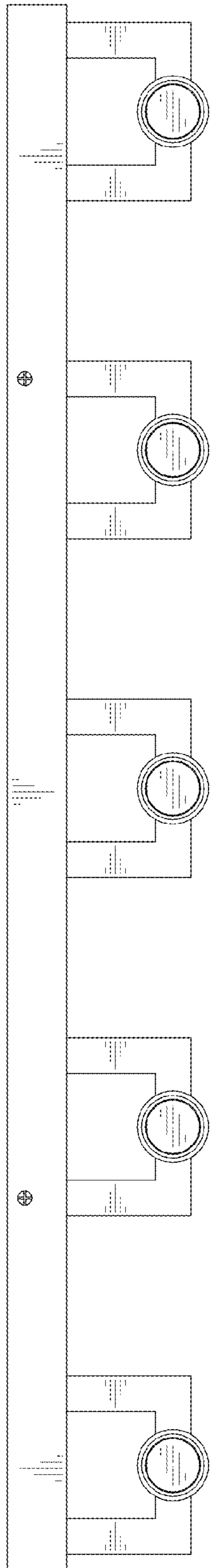


FIG. 23

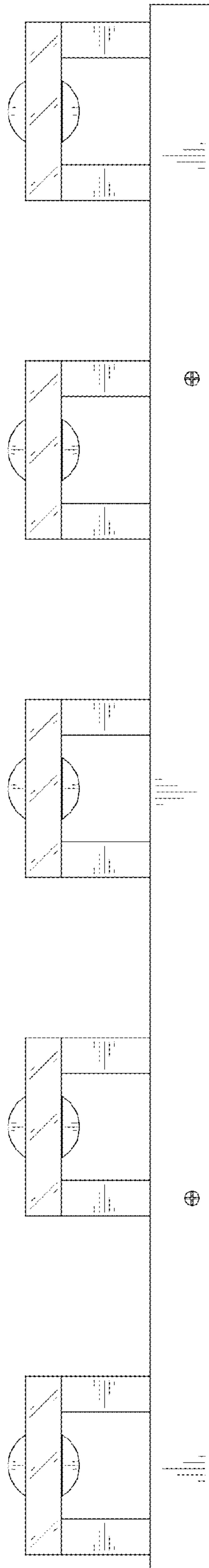


FIG. 24