



US00D950132S

(12) **United States Design Patent**
Lin

(10) **Patent No.:** **US D950,132 S**

(45) **Date of Patent:** **** Apr. 26, 2022**

(54) **LAMP**

(71) Applicant: **Qiuqiang Lin**, Zhanjiang (CN)

(72) Inventor: **Qiuqiang Lin**, Zhanjiang (CN)

(**) Term: **15 Years**

(21) Appl. No.: **29/779,032**

(22) Filed: **Apr. 16, 2021**

(51) **LOC (13) Cl.** **26-03**

(52) **U.S. Cl.**
USPC **D26/86; D26/87**

(58) **Field of Classification Search**
USPC D26/72, 80, 84-88, 92
CPC .. F21S 8/033; F21S 8/035; F21S 8/036; F21S 8/046
See application file for complete search history.

(56) **References Cited**

U.S. PATENT DOCUMENTS

D608,488 S *	1/2010	Miranda	D26/87
D712,571 S	9/2014	Zetsche		
D785,820 S	5/2017	Gao et al.		
D813,436 S *	3/2018	Verelst	D26/72
D816,881 S *	5/2018	Qiao	D26/86
D816,882 S *	5/2018	Qiao	D26/86
D869,730 S *	12/2019	Lin	D26/80
D879,353 S *	3/2020	Lin	D26/87
D898,269 S *	10/2020	Huang	D26/86
D908,265 S *	1/2021	Zheng	D26/86
D908,945 S *	1/2021	Zheng	D26/86
D911,584 S *	2/2021	Zheng	D26/86
D925,807 S *	7/2021	Chen	D26/87
D933,873 S *	10/2021	Lin	D26/87
D939,128 S *	12/2021	Mei	D26/86

OTHER PUBLICATIONS

Ralbay LED Black Vanity Lights ASIN: B08H81ZCCK available from amazon.com Sep. 2, 2020. (Year: 2020).*

(Continued)

Primary Examiner — Clare E Heflin

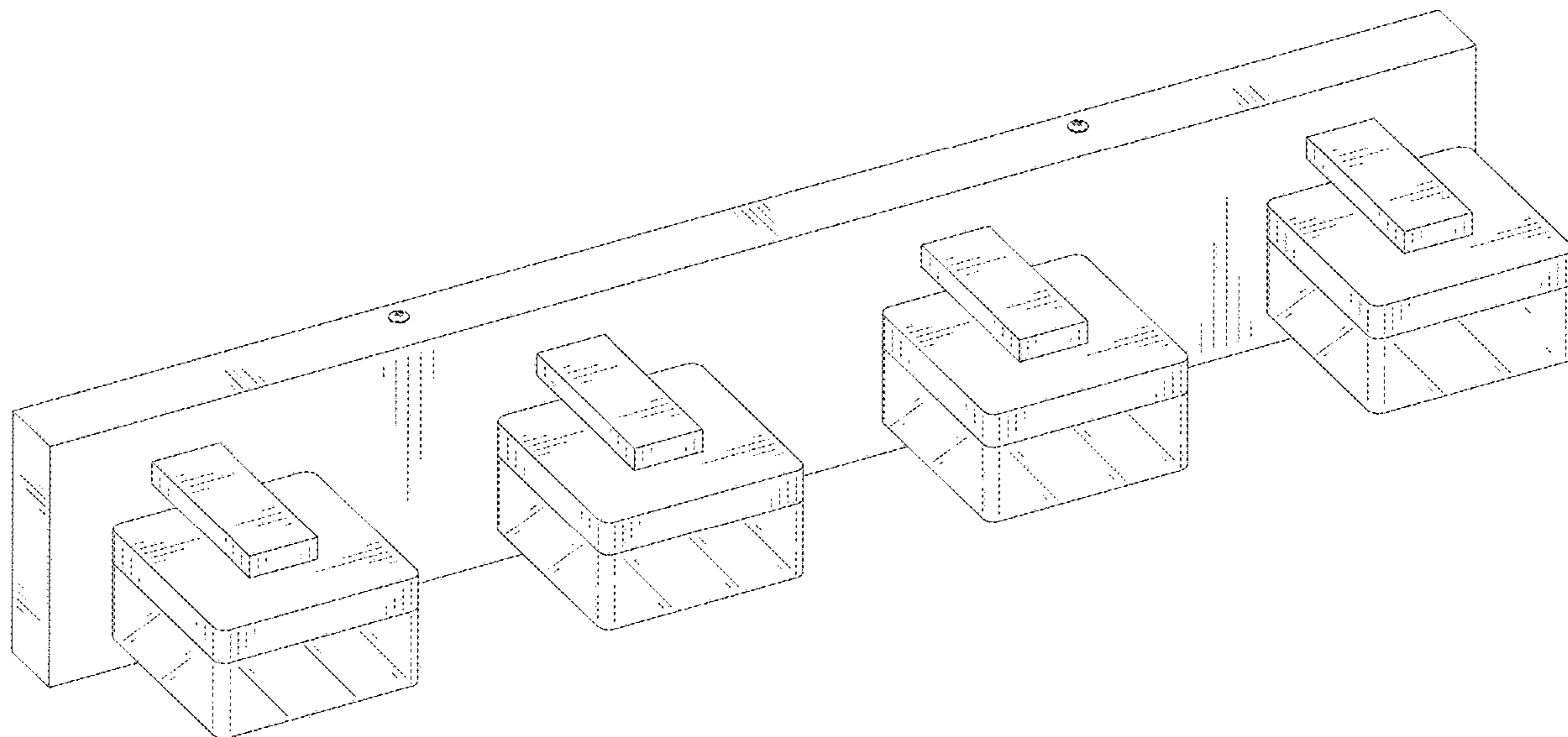
(57) **CLAIM**

The ornamental design for a lamp, as shown and described.

DESCRIPTION

FIG. 1 is a perspective view of a first embodiment of a lamp showing my new design;
 FIG. 2 is another perspective view thereof;
 FIG. 3 is a front elevational view thereof;
 FIG. 4 is a rear elevational view thereof;
 FIG. 5 is a left side elevational view thereof;
 FIG. 6 is a right side elevational view thereof;
 FIG. 7 is a top plan view thereof;
 FIG. 8 is a bottom plan view thereof;
 FIG. 9 is a perspective view of a second embodiment of the lamp showing my new design;
 FIG. 10 is another perspective view thereof;
 FIG. 11 is a front elevational view thereof;
 FIG. 12 is a rear elevational view thereof;
 FIG. 13 is a left side elevational view thereof;
 FIG. 14 is a right side elevational view thereof;
 FIG. 15 is a top plan view thereof;
 FIG. 16 is a bottom plan view thereof;
 FIG. 17 is a perspective view of a third embodiment of the lamp showing my new design;
 FIG. 18 is another perspective view thereof;
 FIG. 19 is a front elevational view thereof;
 FIG. 20 is a rear elevational view thereof;
 FIG. 21 is a left side elevational view thereof;
 FIG. 22 is a right side elevational view thereof;
 FIG. 23 is a top plan view thereof;
 FIG. 24 is a bottom plan view thereof; and,
 FIG. 25 is an exploded perspective view of the lamp.

1 Claim, 25 Drawing Sheets



(56)

References Cited

OTHER PUBLICATIONS

Possini Euro Design, Style # U2496 available from lampsplus.coms
early as Jun. 26, 2017. (Year: 2017).*

Possini Euro Gareth 24½"W Chrome and Glass Bath Light Style #
63V29 available from lampsplus.com as early as Aug. 14, 2019.
(Year: 2019).*

* cited by examiner

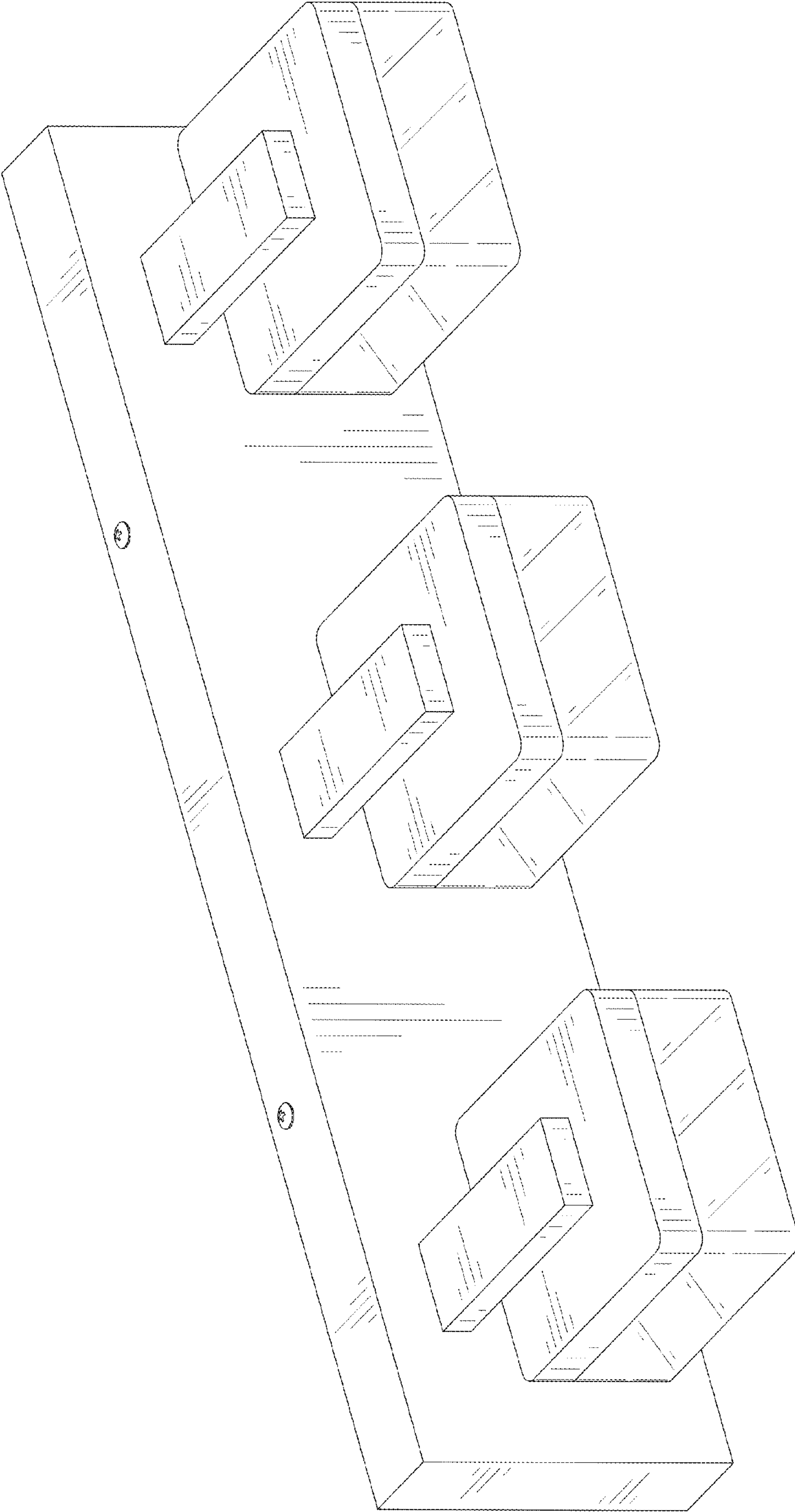


FIG. 1

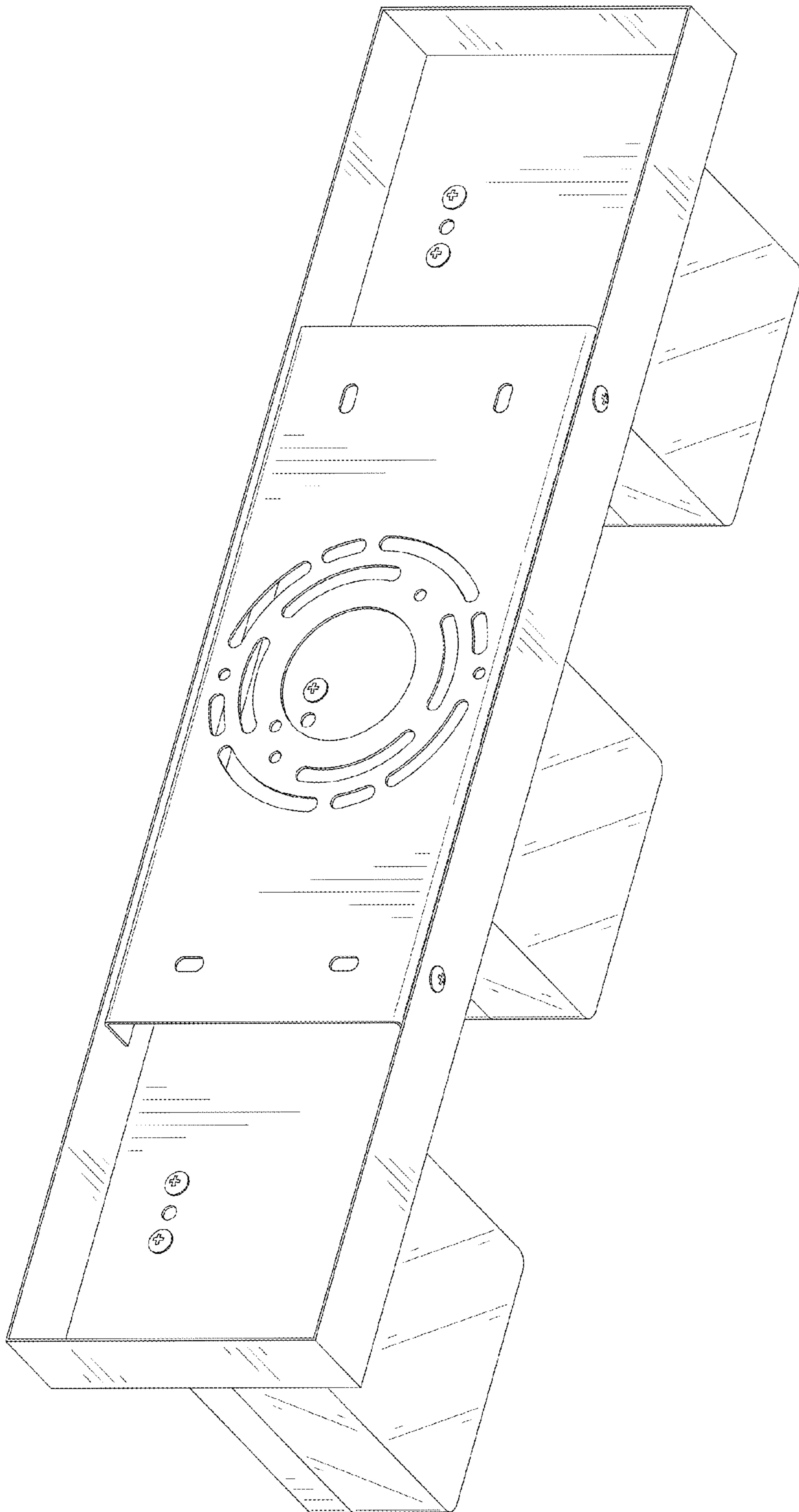


FIG. 2

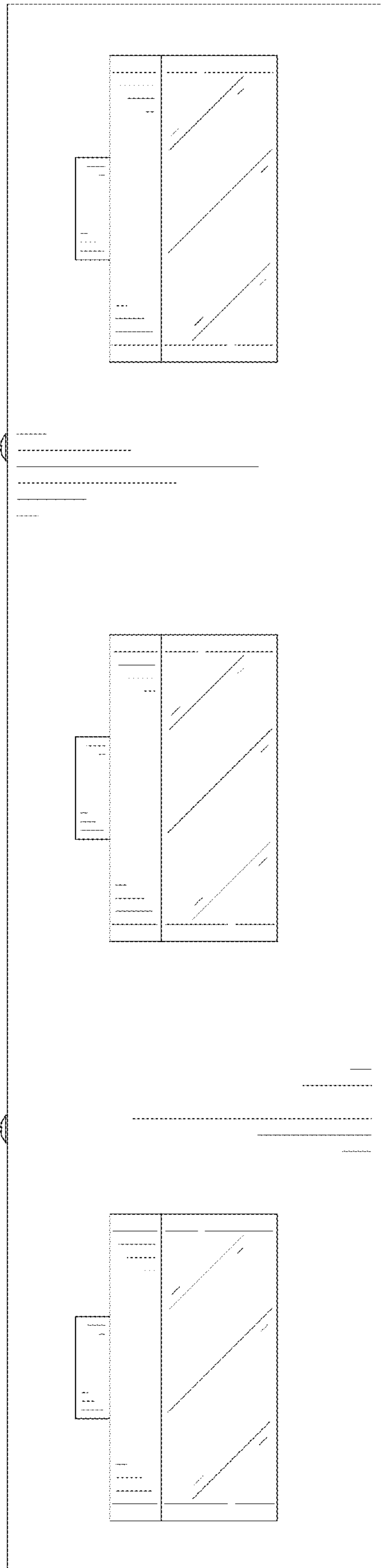


FIG. 3

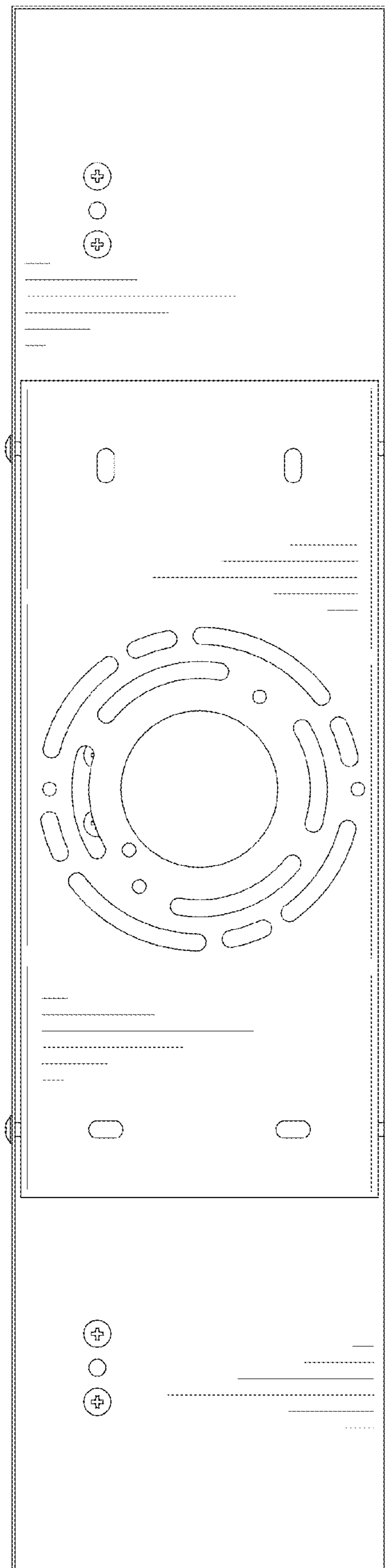


FIG. 4

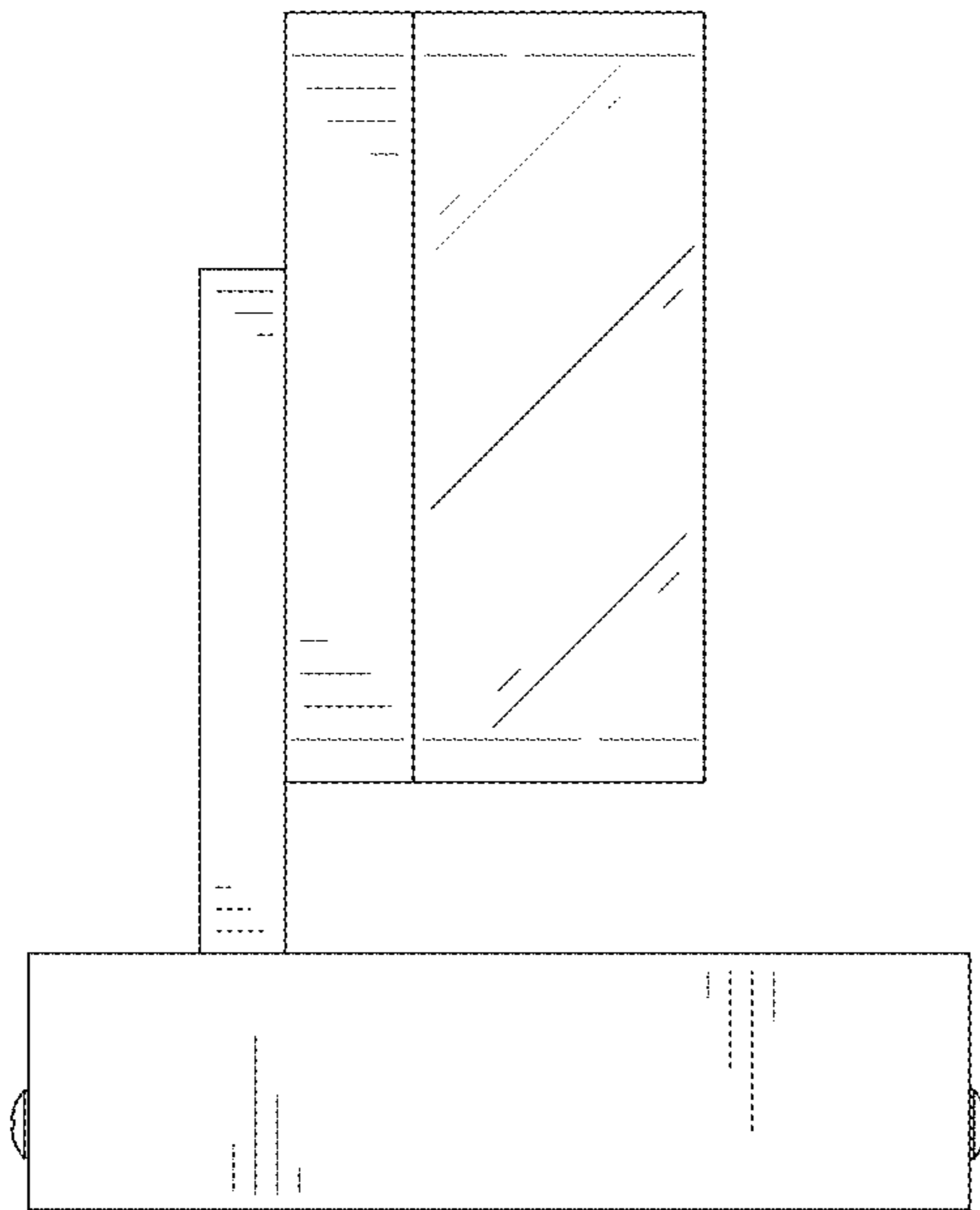


FIG. 5

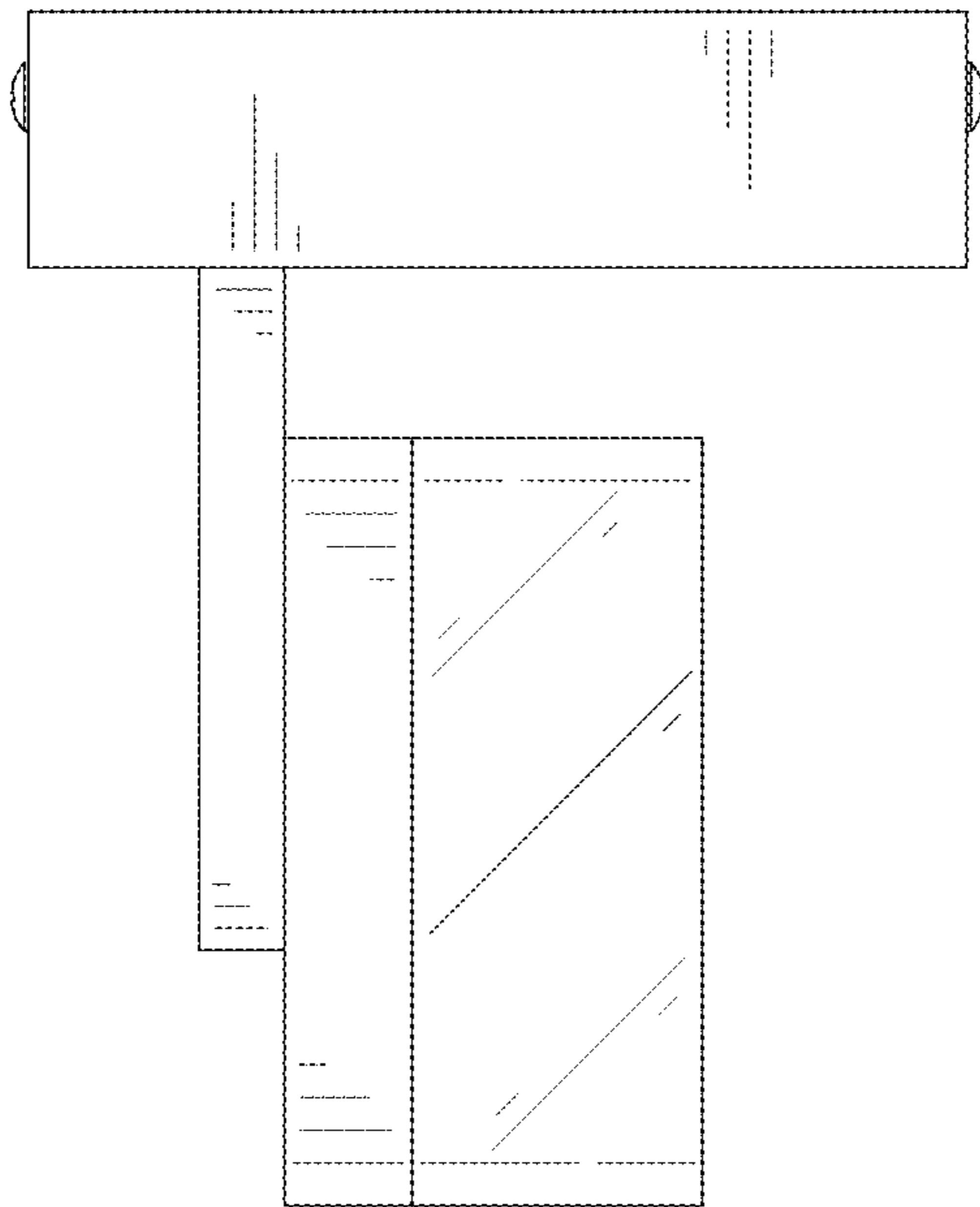


FIG. 6

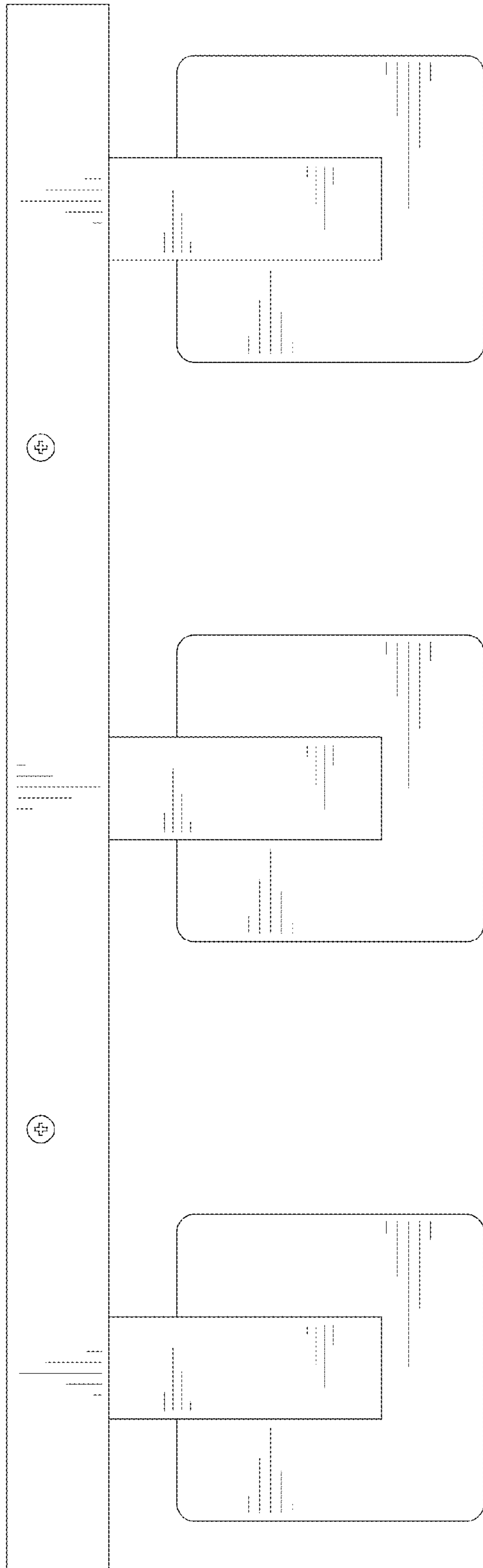


FIG. 7

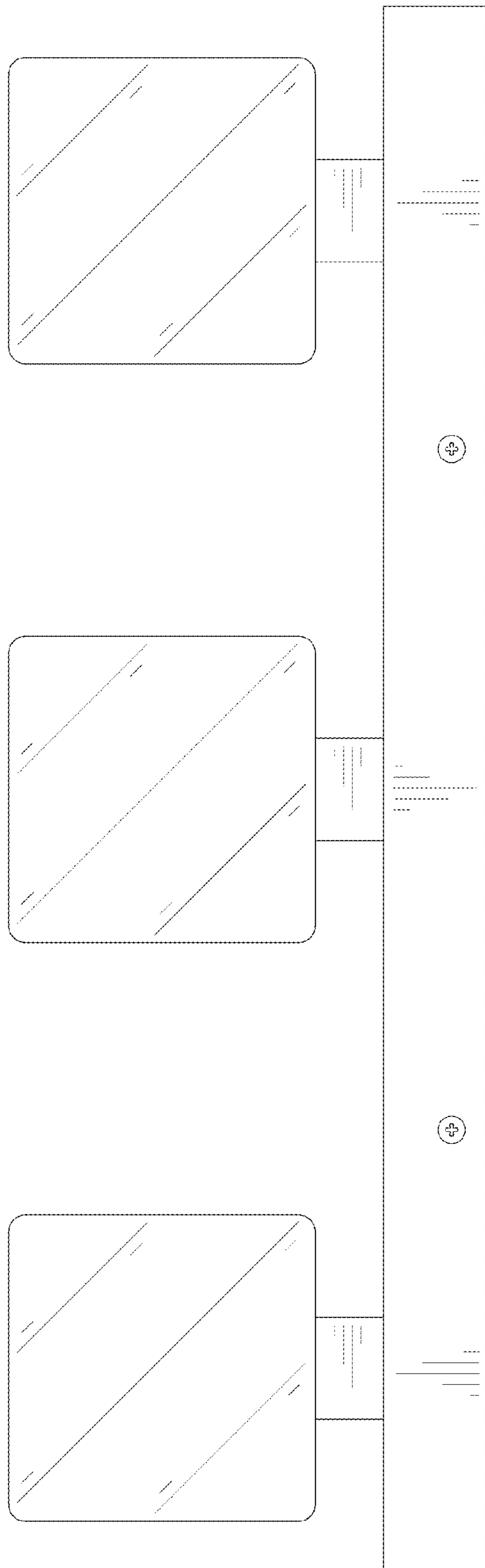


FIG. 8

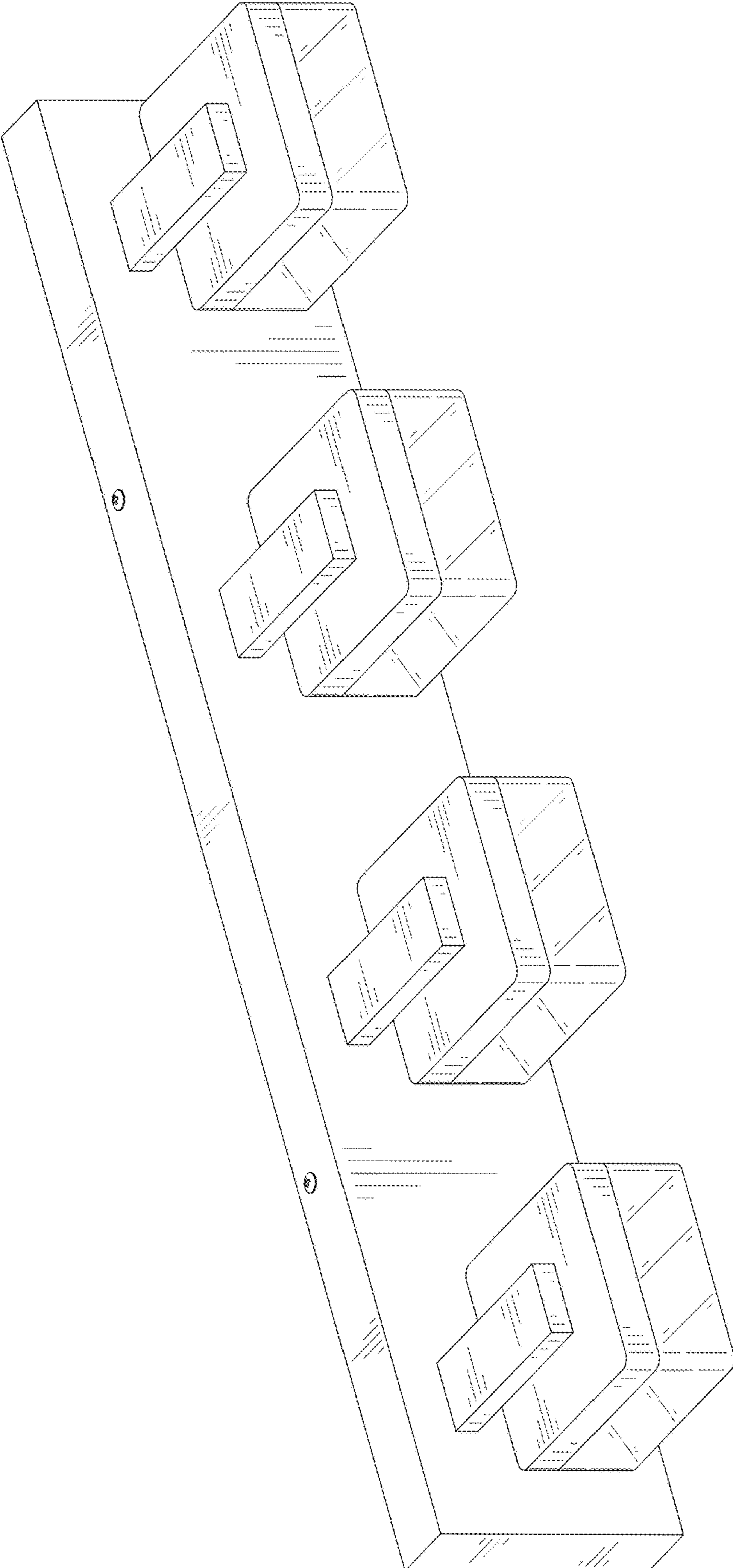


FIG. 9

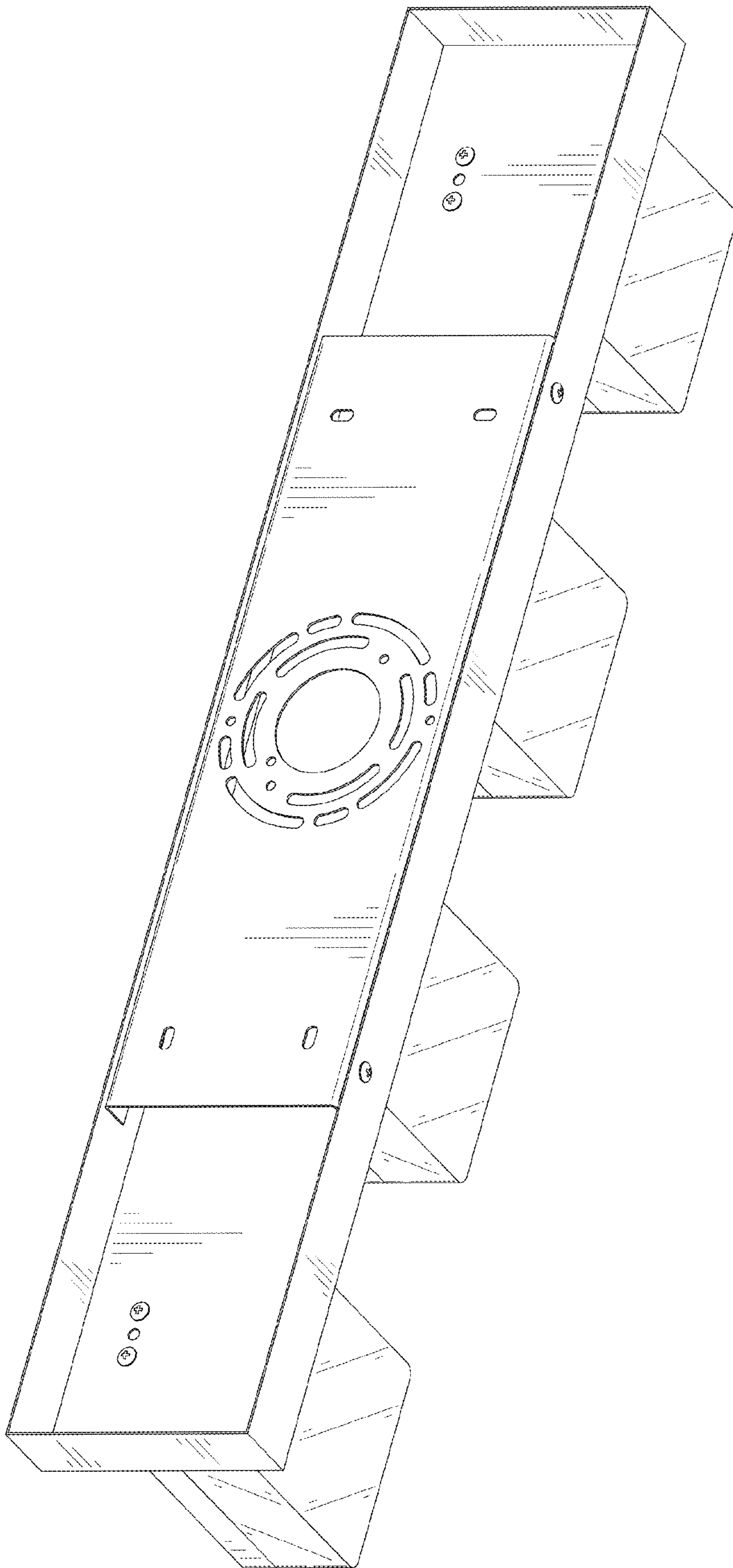


FIG. 10

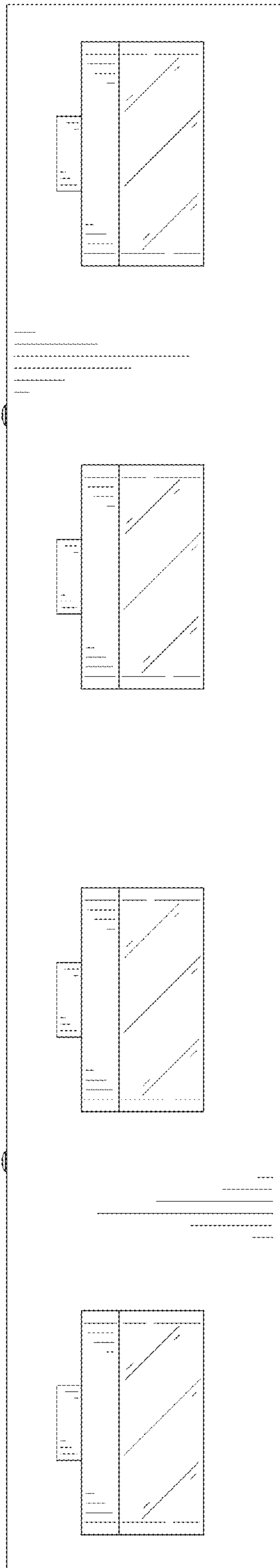


FIG. 11

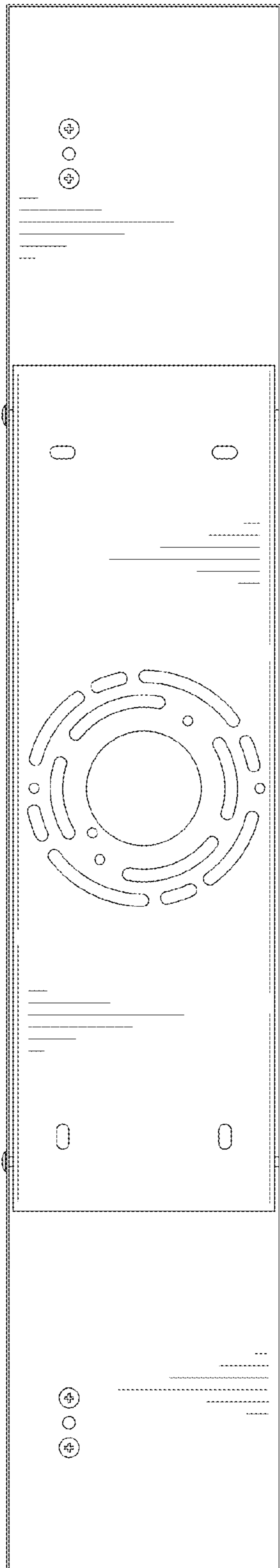


FIG. 12

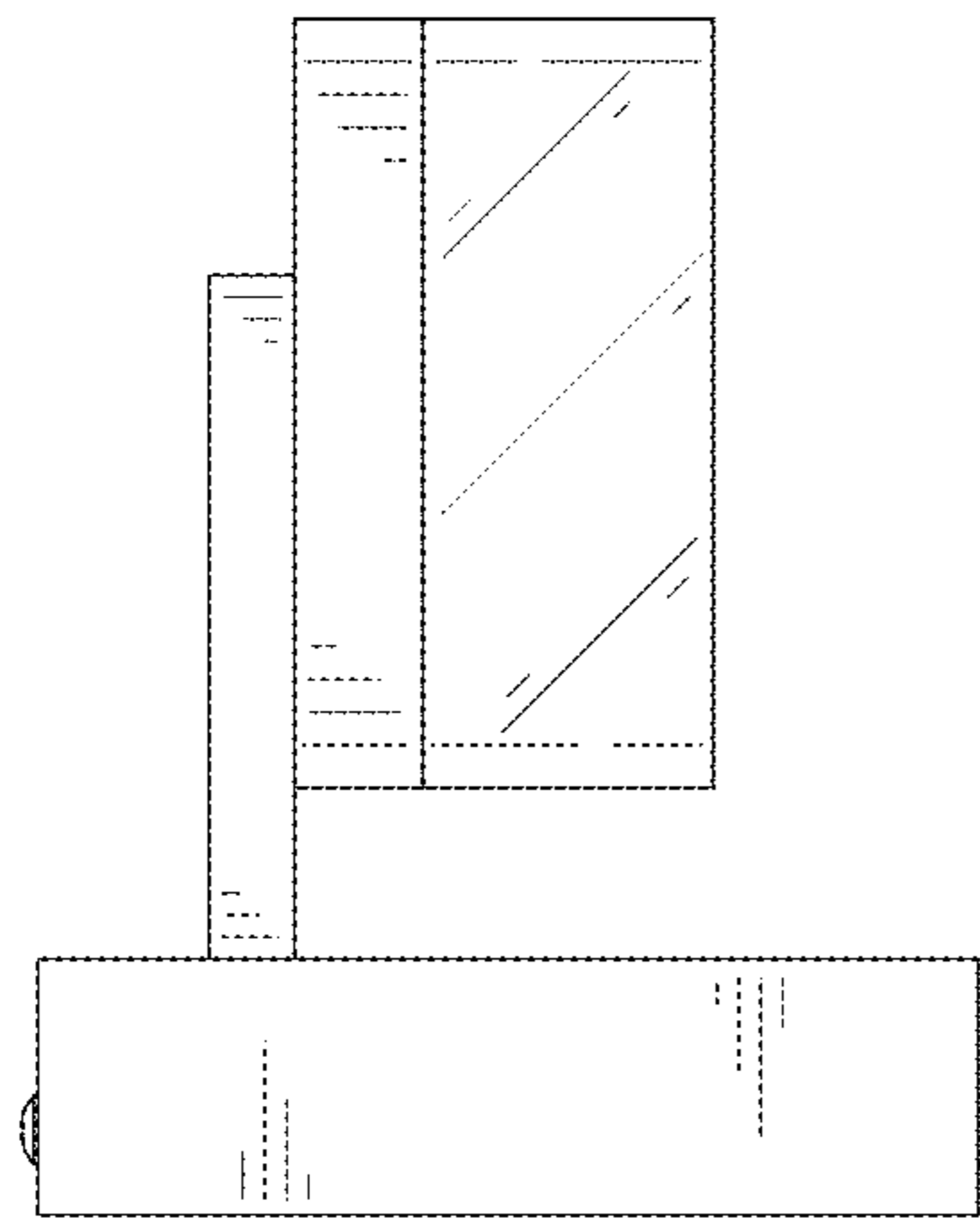


FIG. 13

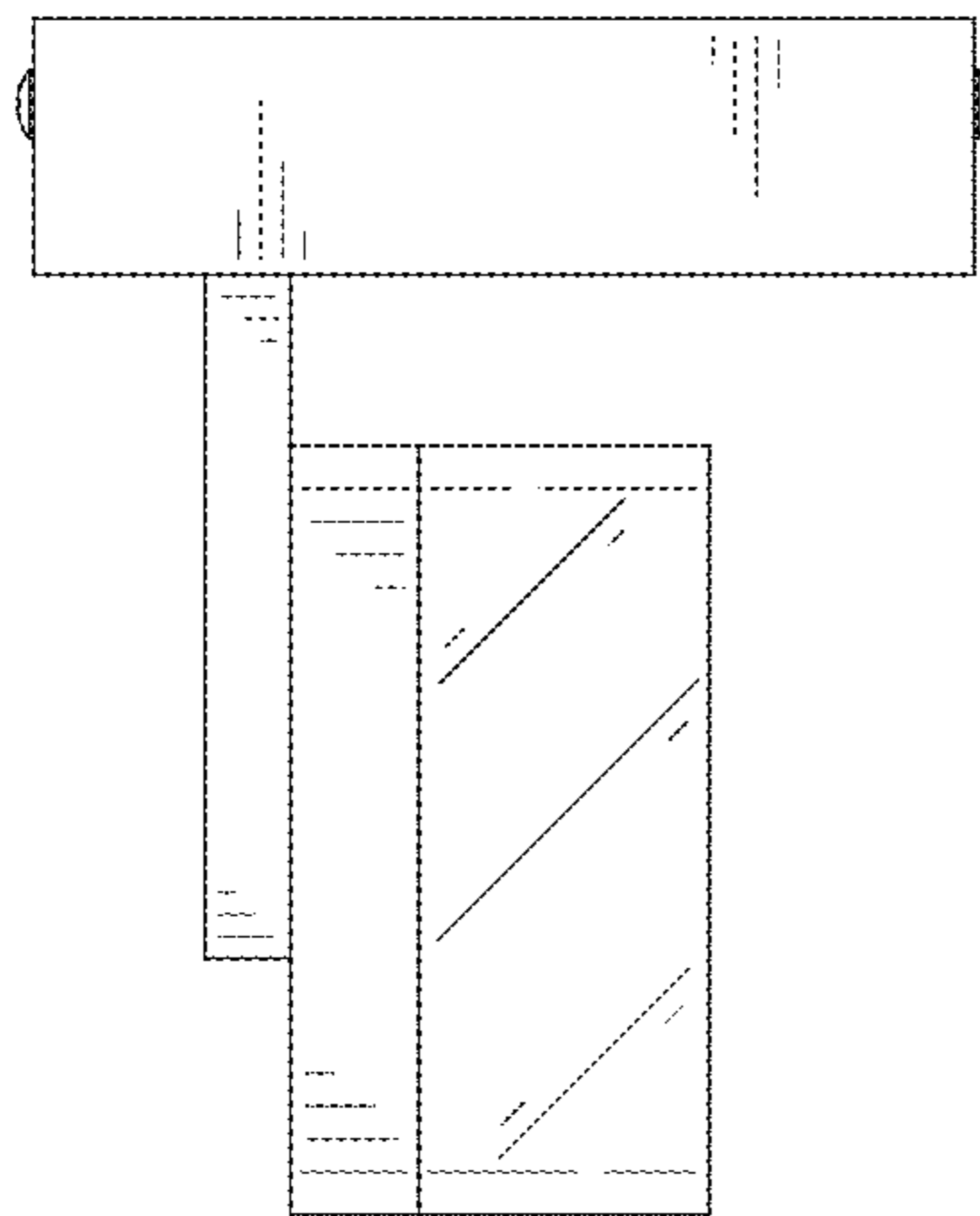


FIG. 14

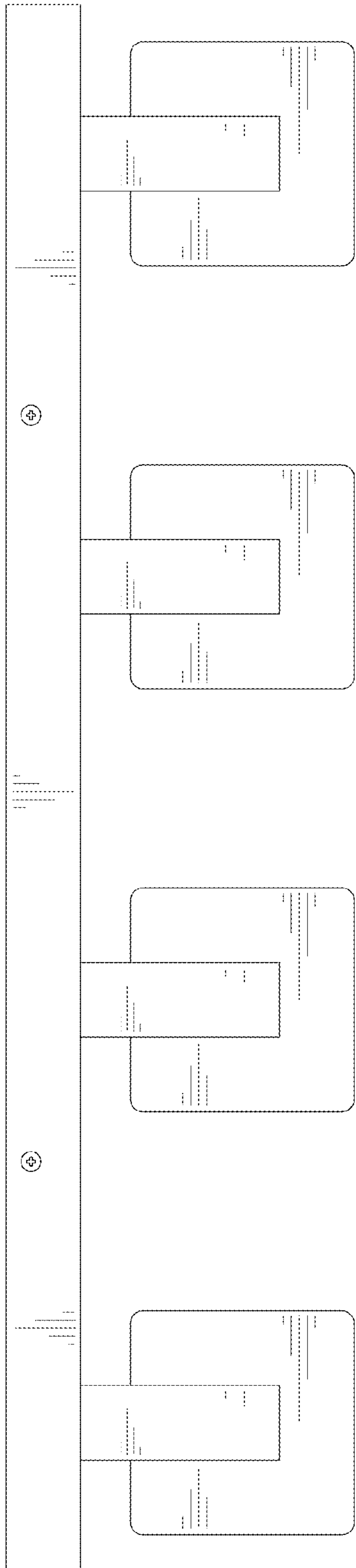


FIG. 15

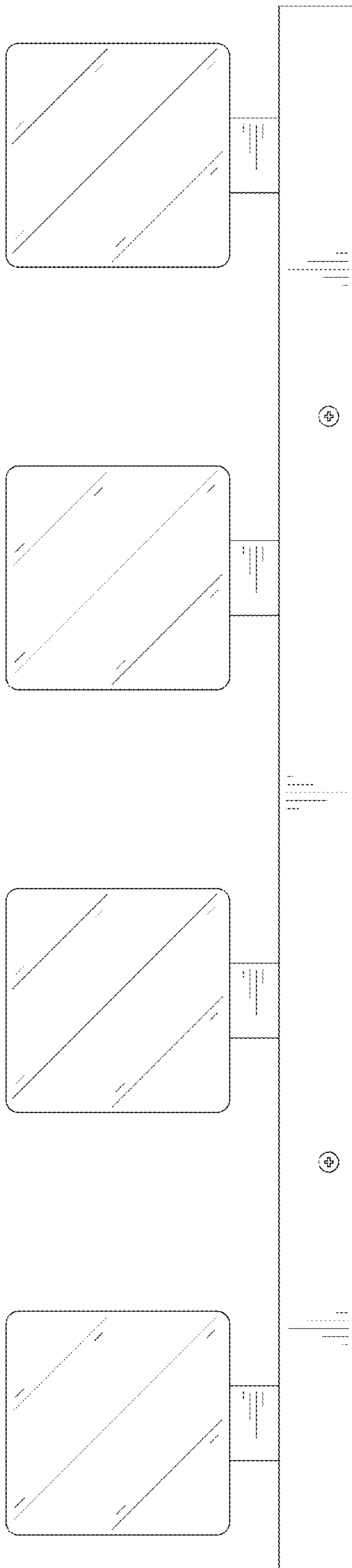


FIG. 16

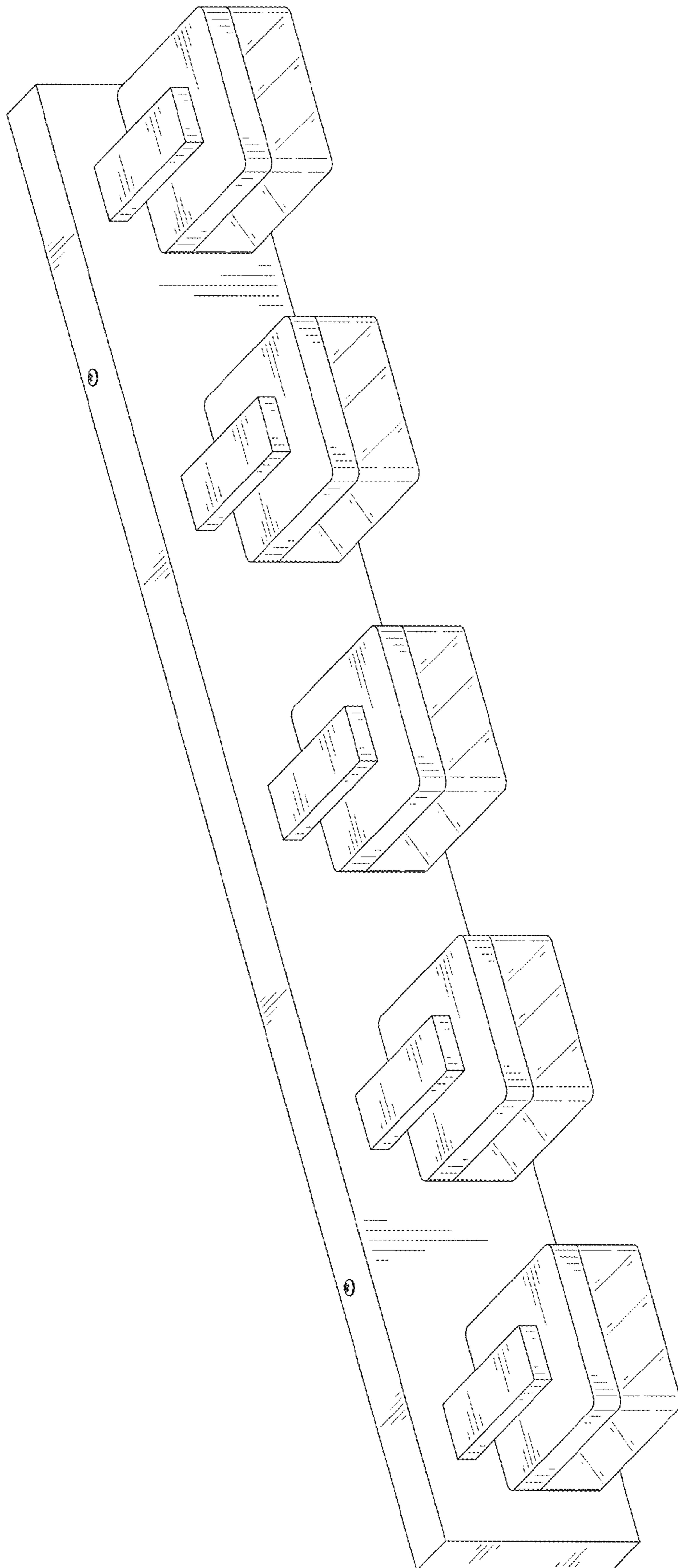


FIG. 17

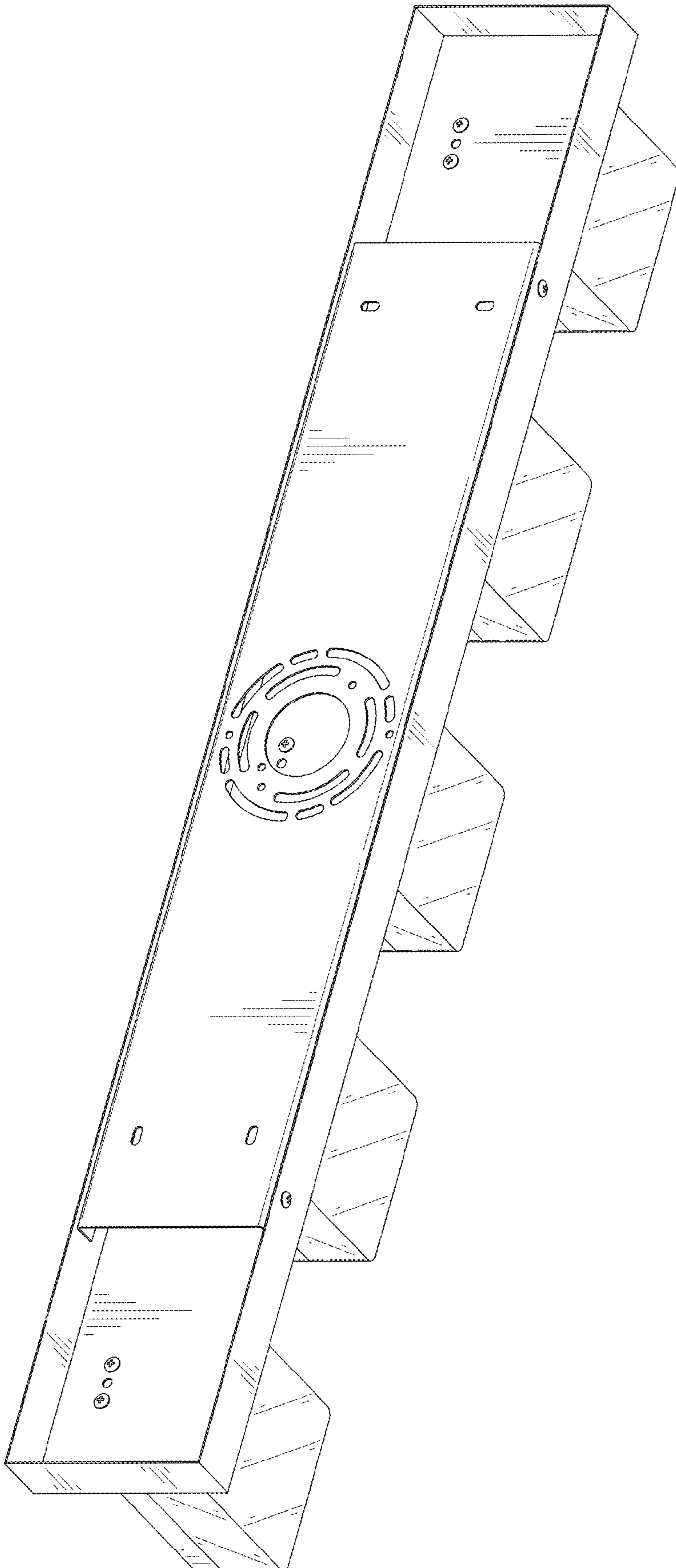


FIG. 18

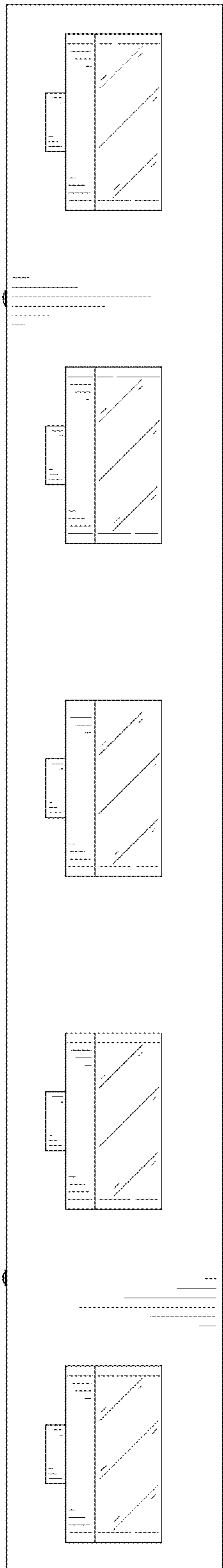


FIG. 19

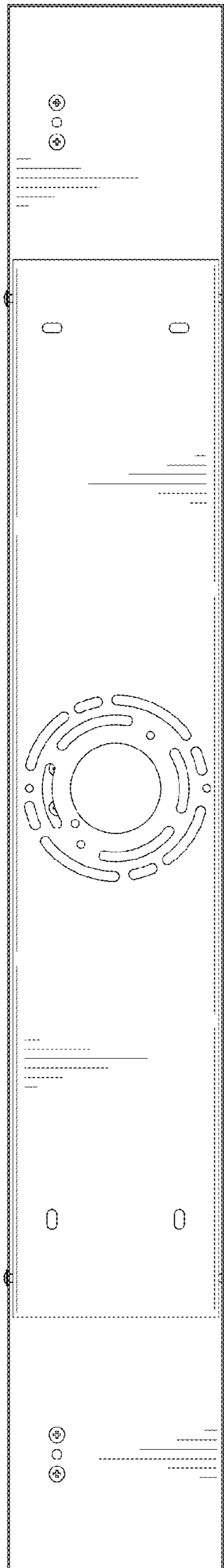


FIG. 20

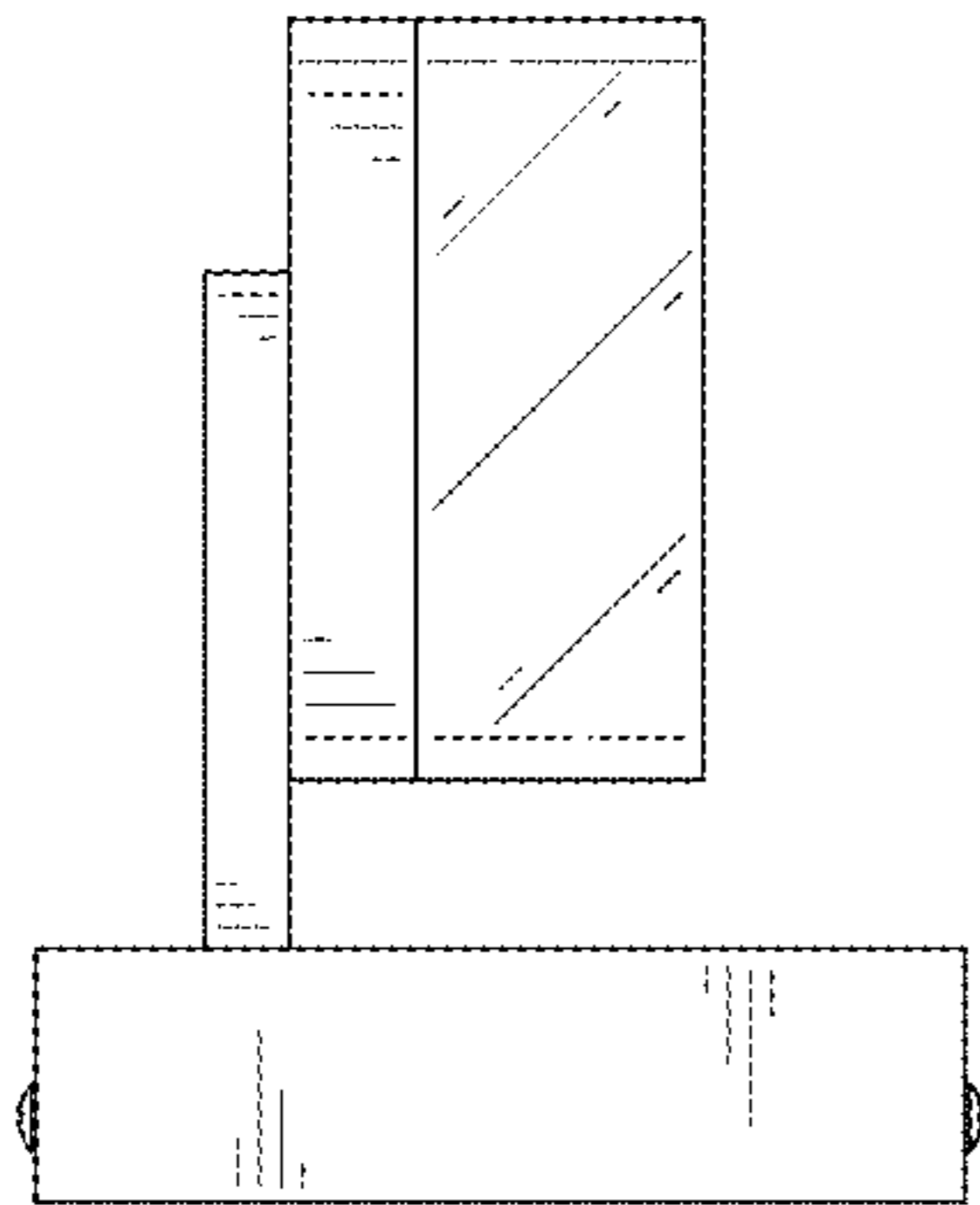


FIG. 21

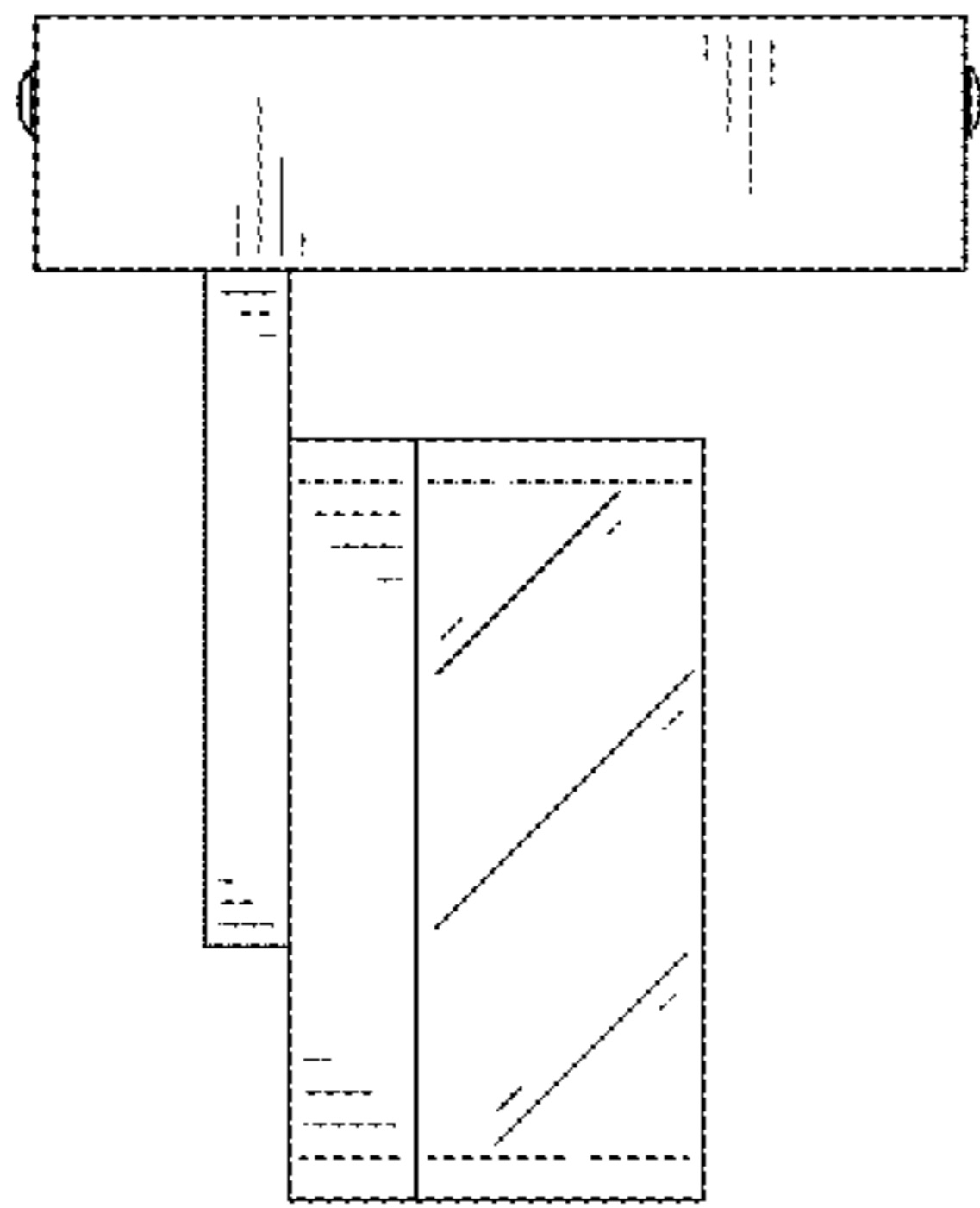


FIG. 22

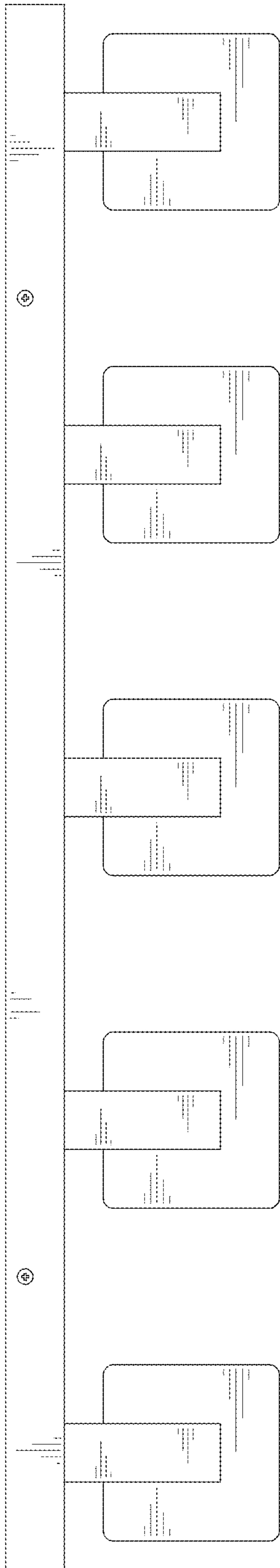


FIG. 23

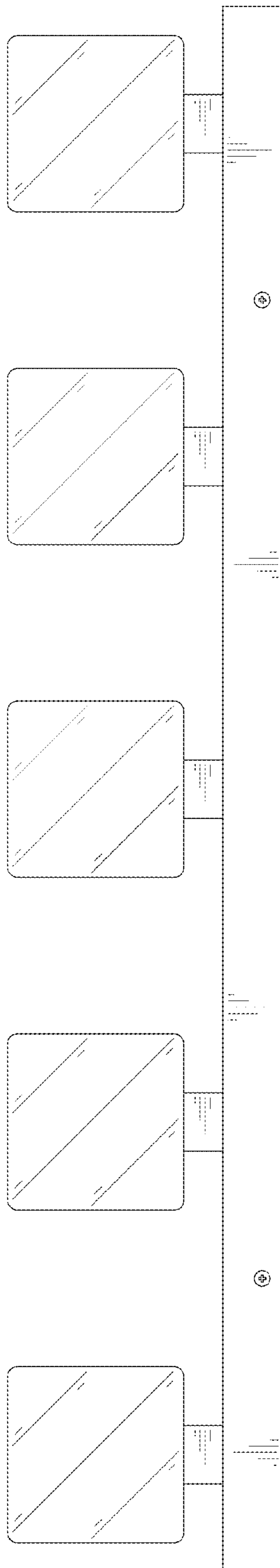


FIG. 24

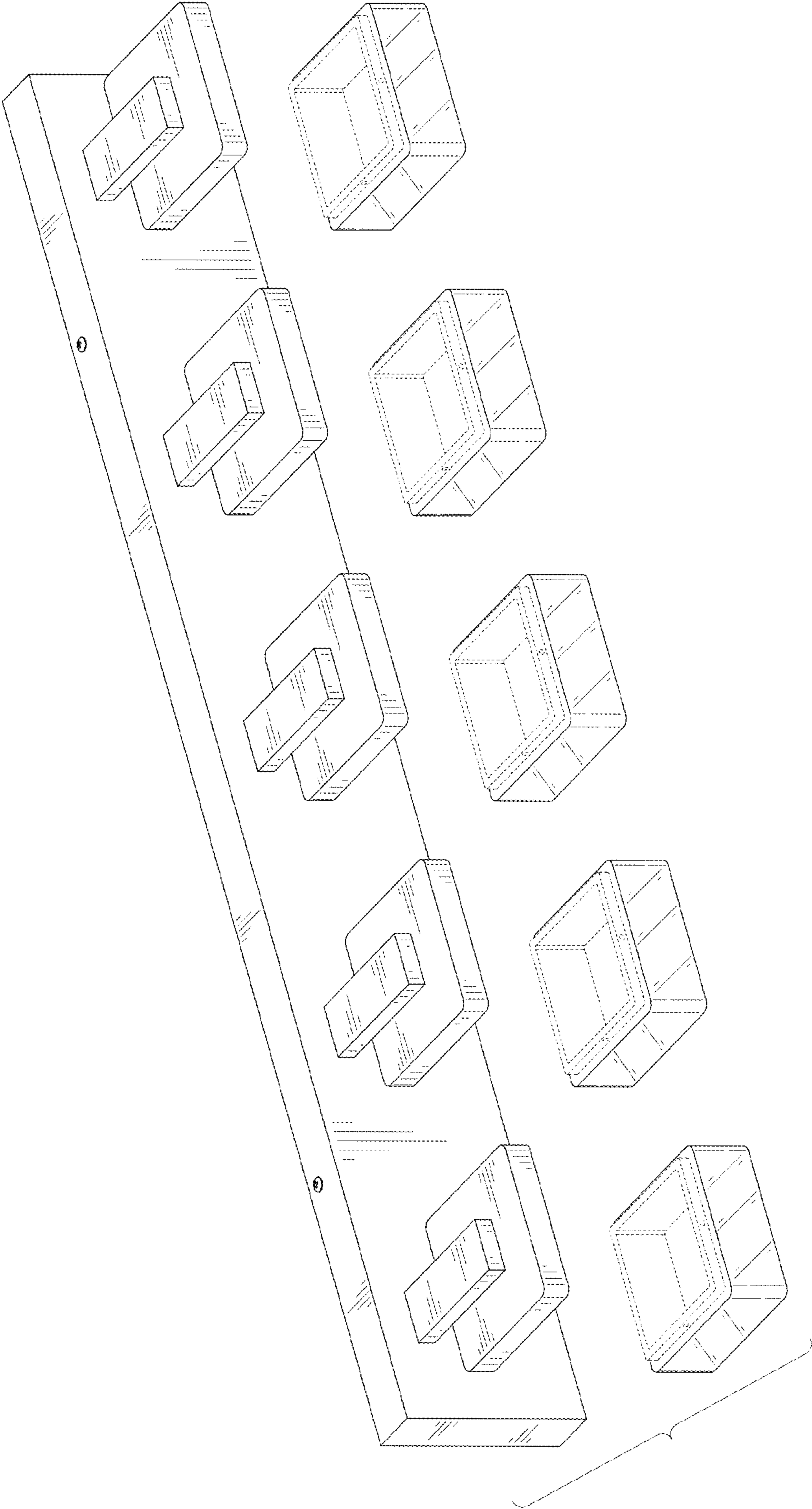


FIG. 25