



US00D950131S

(12) **United States Design Patent**
Lin

(10) **Patent No.:** **US D950,131 S**
(45) **Date of Patent:** **** Apr. 26, 2022**

(54) **LAMP**

(71) Applicant: **Qiuqiang Lin**, Zhanjiang (CN)

(72) Inventor: **Qiuqiang Lin**, Zhanjiang (CN)

(**) Term: **15 Years**

(21) Appl. No.: **29/779,031**

(22) Filed: **Apr. 16, 2021**

(51) **LOC (13) Cl.** **26-03**

(52) **U.S. Cl.**
USPC **D26/86; D26/87**

(58) **Field of Classification Search**
USPC D26/72, 80, 84–88, 92
CPC .. F21S 8/033; F21S 8/035; F21S 8/036; F21S
8/046

See application file for complete search history.

(56) **References Cited**

U.S. PATENT DOCUMENTS

D114,101 S *	4/1939	Gregg	D26/86
D666,764 S *	9/2012	Gilad	D26/87
D712,571 S	9/2014	Zetsche		
D758,635 S *	6/2016	Fioravanti	D26/85
D785,820 S	5/2017	Gao et al.		
D881,441 S *	4/2020	Van Den Akker	D26/137
D907,275 S *	1/2021	Chen	D26/86
D908,945 S *	1/2021	Zheng	D26/86
D915,657 S *	4/2021	Zheng	D26/86
D926,349 S *	7/2021	Lin	D26/86
D934,485 S *	10/2021	Ou	D26/80
D934,486 S *	10/2021	Ou	D26/80

OTHER PUBLICATIONS

SOLFART 4 Lights Dimmable Share Modern Glass Stainless Steel Vanity Wall Light ASIN: B07FYDGTK, available from amazon.com Jul. 27, 2018. (Year: 2018).*

Modern LED 3 Lights Vanity Light for Bathroom, ASIN: B09HBDPR4S, available from amazon.com Sep. 28, 2021. (Year: 2021).*

Mateyrie 3 Light Bathroom Vanity Light, ASIN: B08JM1PP8Z, available from amazon.com Jul. 17, 2020. (Year: 2020).*

* cited by examiner

Primary Examiner — Clare E Heflin

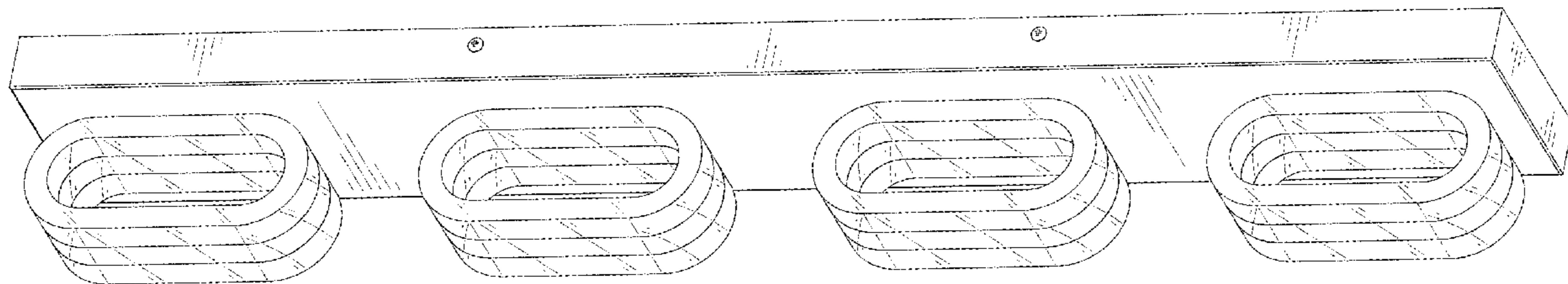
(57) **CLAIM**

The ornamental design for a lamp, as shown and described.

DESCRIPTION

FIG. 1 is a perspective view of a first embodiment of a lamp showing my new design;
 FIG. 2 is another perspective view thereof;
 FIG. 3 is a front elevational view thereof;
 FIG. 4 is a rear elevational view thereof;
 FIG. 5 is a left side elevational view thereof;
 FIG. 6 is a right side elevational view thereof;
 FIG. 7 is a top plan view thereof;
 FIG. 8 is a bottom plan view thereof;
 FIG. 9 is a perspective view of a second embodiment of the lamp showing my new design;
 FIG. 10 is another perspective view thereof;
 FIG. 11 is a front elevational view thereof;
 FIG. 12 is a rear elevational view thereof;
 FIG. 13 is a left side elevational view thereof;
 FIG. 14 is a right side elevational view thereof;
 FIG. 15 is a top plan view thereof;
 FIG. 16 is a bottom plan view thereof;
 FIG. 17 is a perspective view of a third embodiment of the lamp showing my new design;
 FIG. 18 is another perspective view thereof;
 FIG. 19 is a front elevational view thereof;
 FIG. 20 is a rear elevational view thereof;
 FIG. 21 is a left side elevational view thereof;
 FIG. 22 is a right side elevational view thereof;
 FIG. 23 is a top plan view thereof; and,
 FIG. 24 is a bottom plan view thereof.

1 Claim, 24 Drawing Sheets



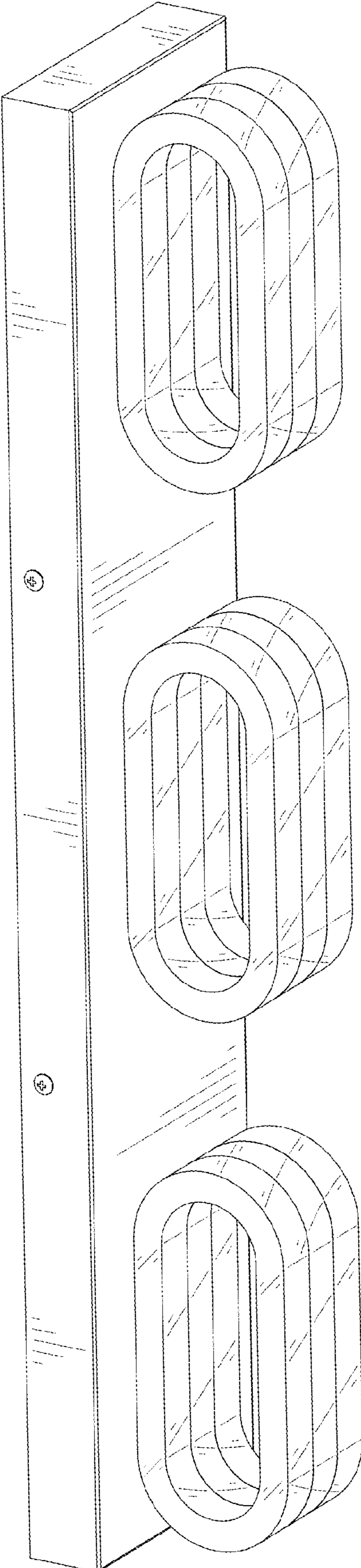


FIG. 1

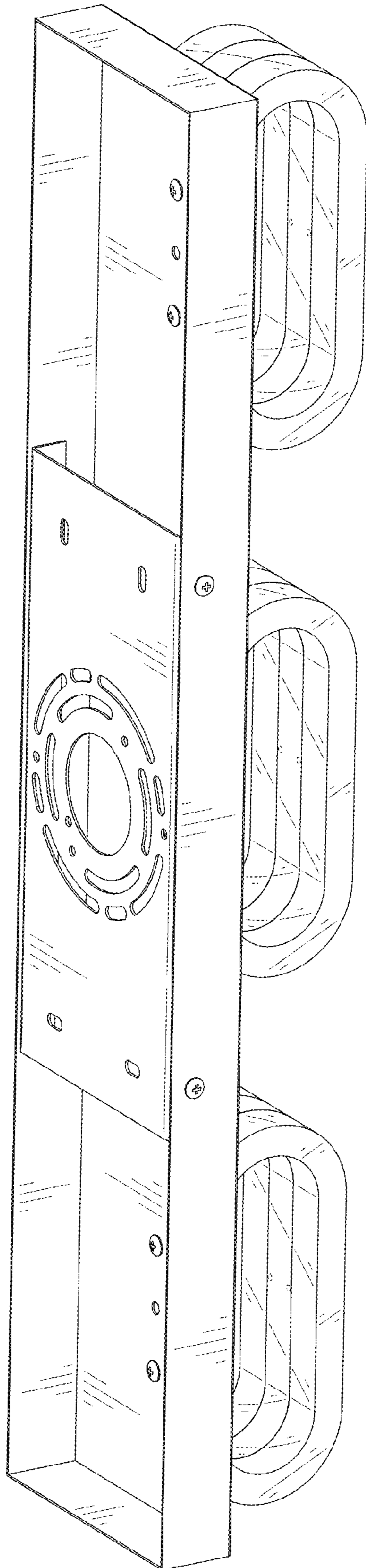


FIG. 2

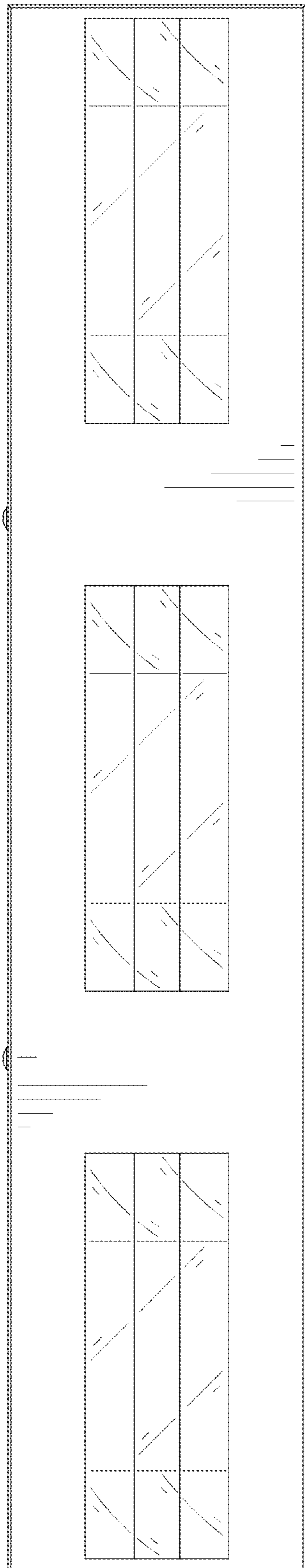


FIG. 3

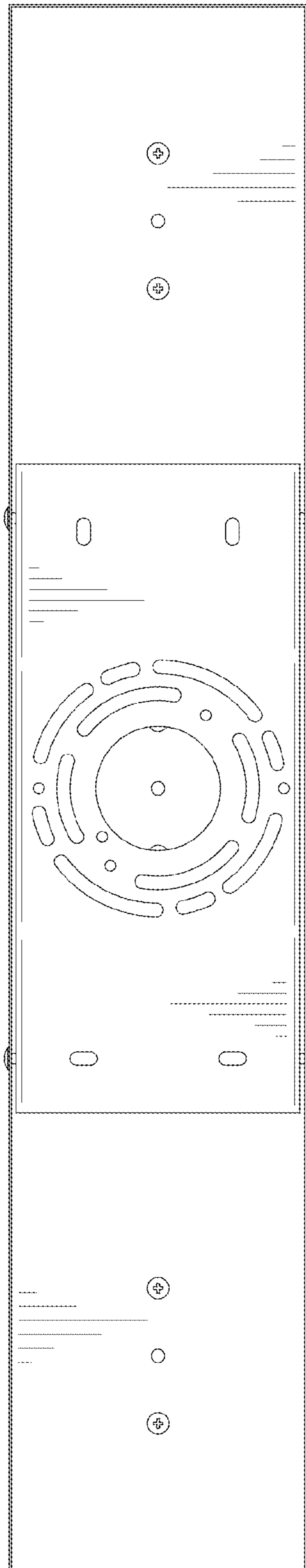


FIG. 4

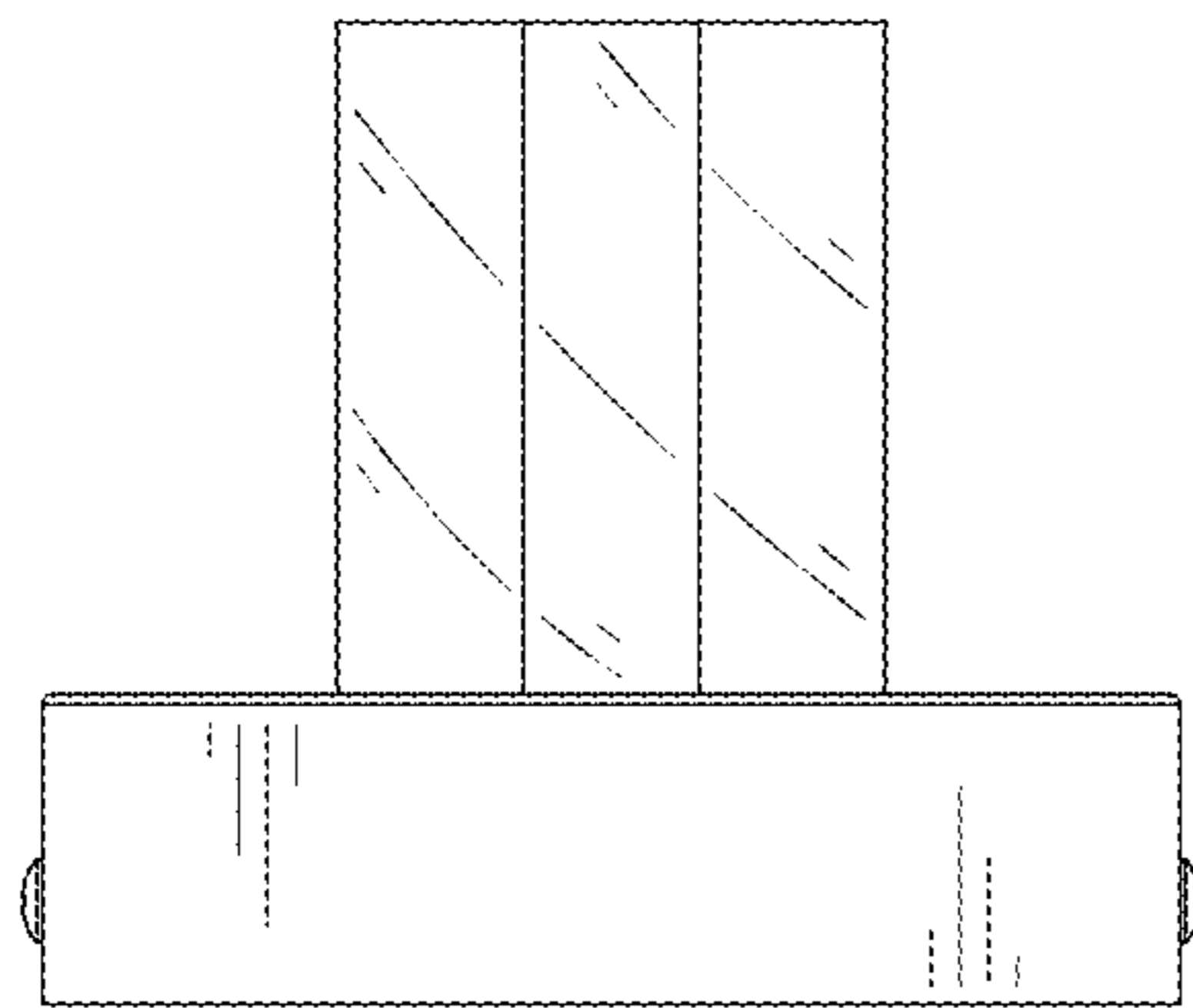


FIG. 5

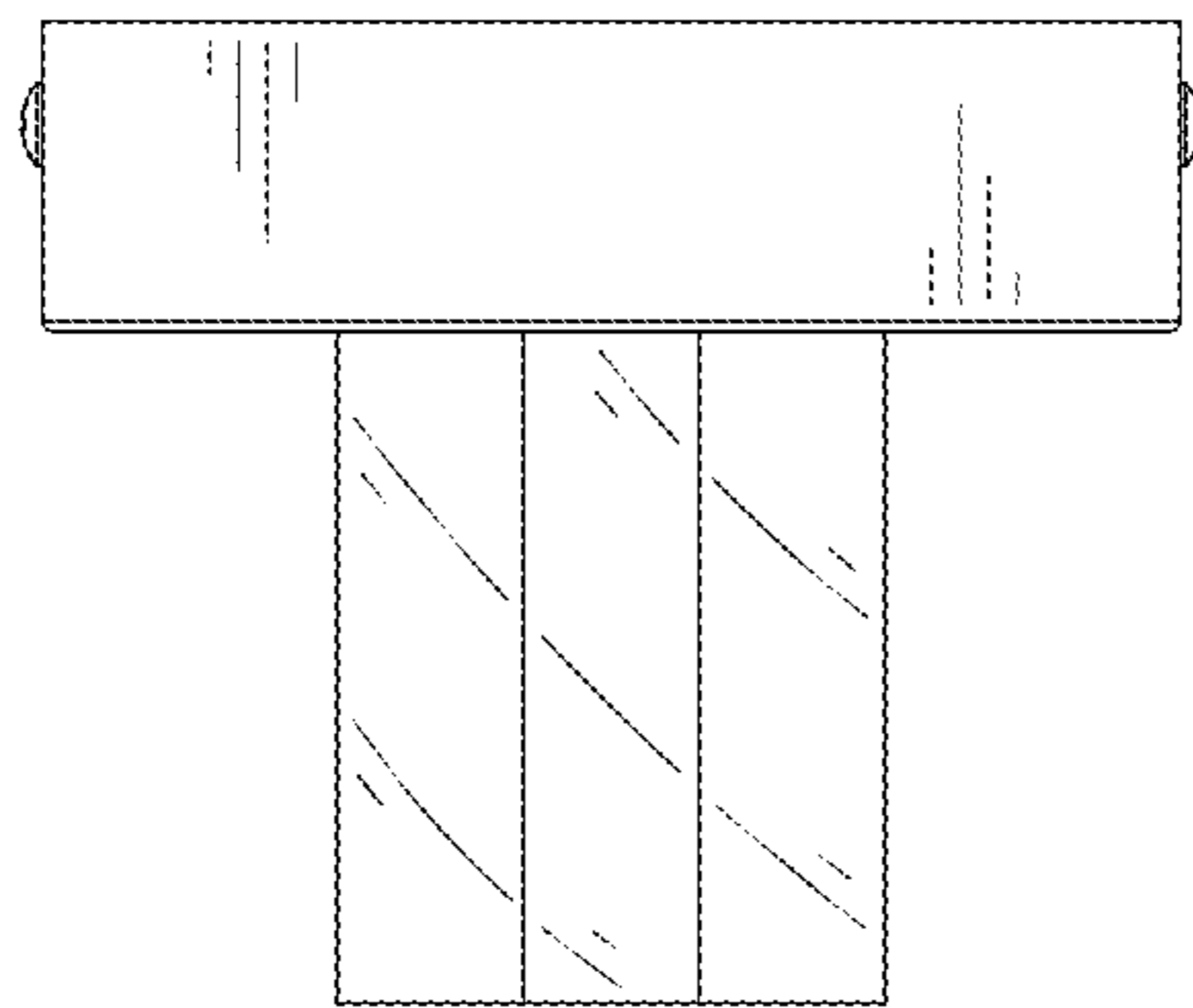


FIG. 6

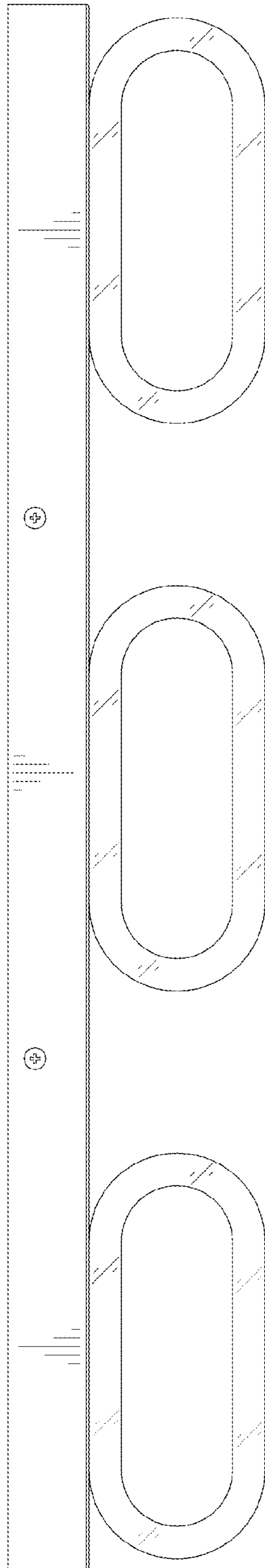


FIG. 7

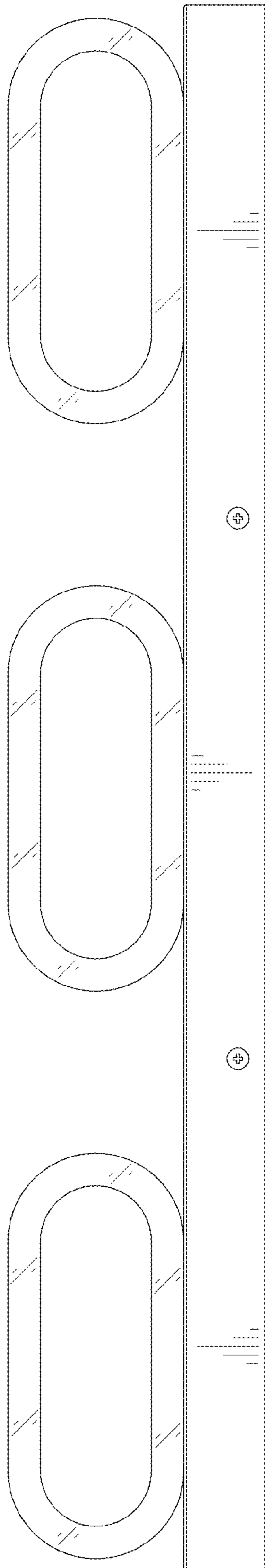


FIG. 8

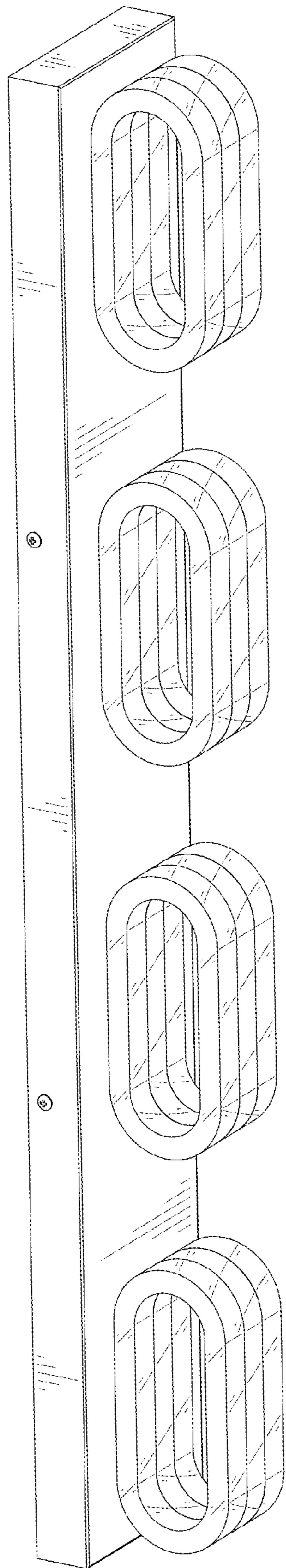


FIG. 9

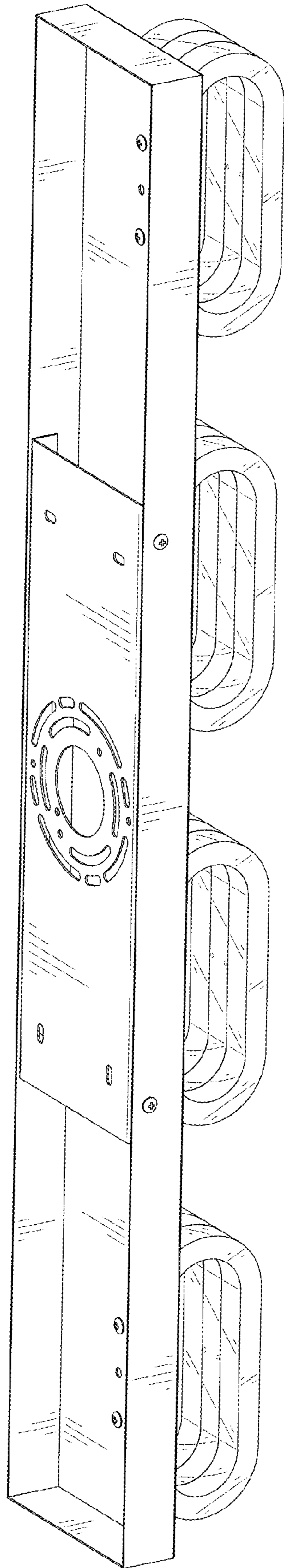


FIG. 10

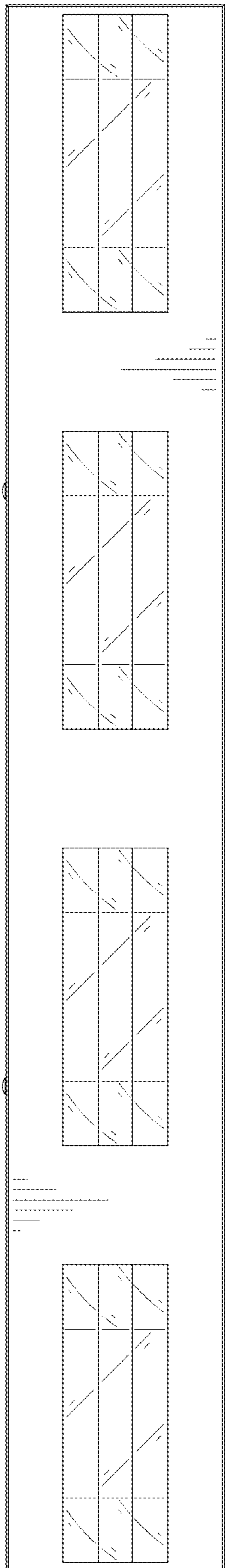


FIG. 11

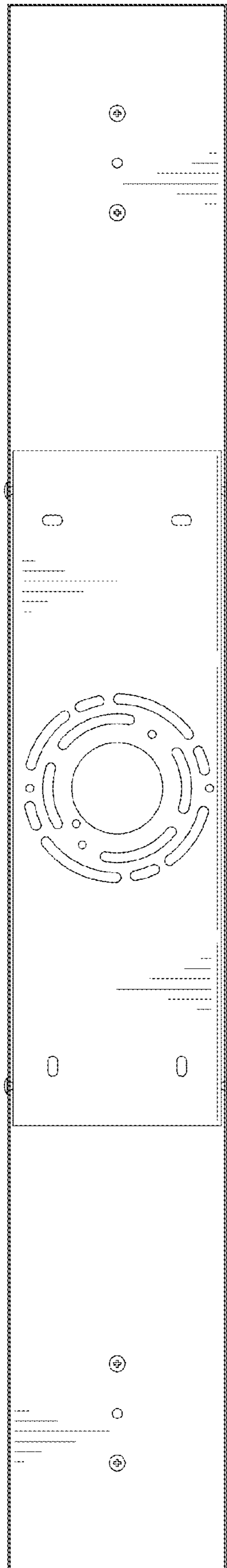


FIG. 12

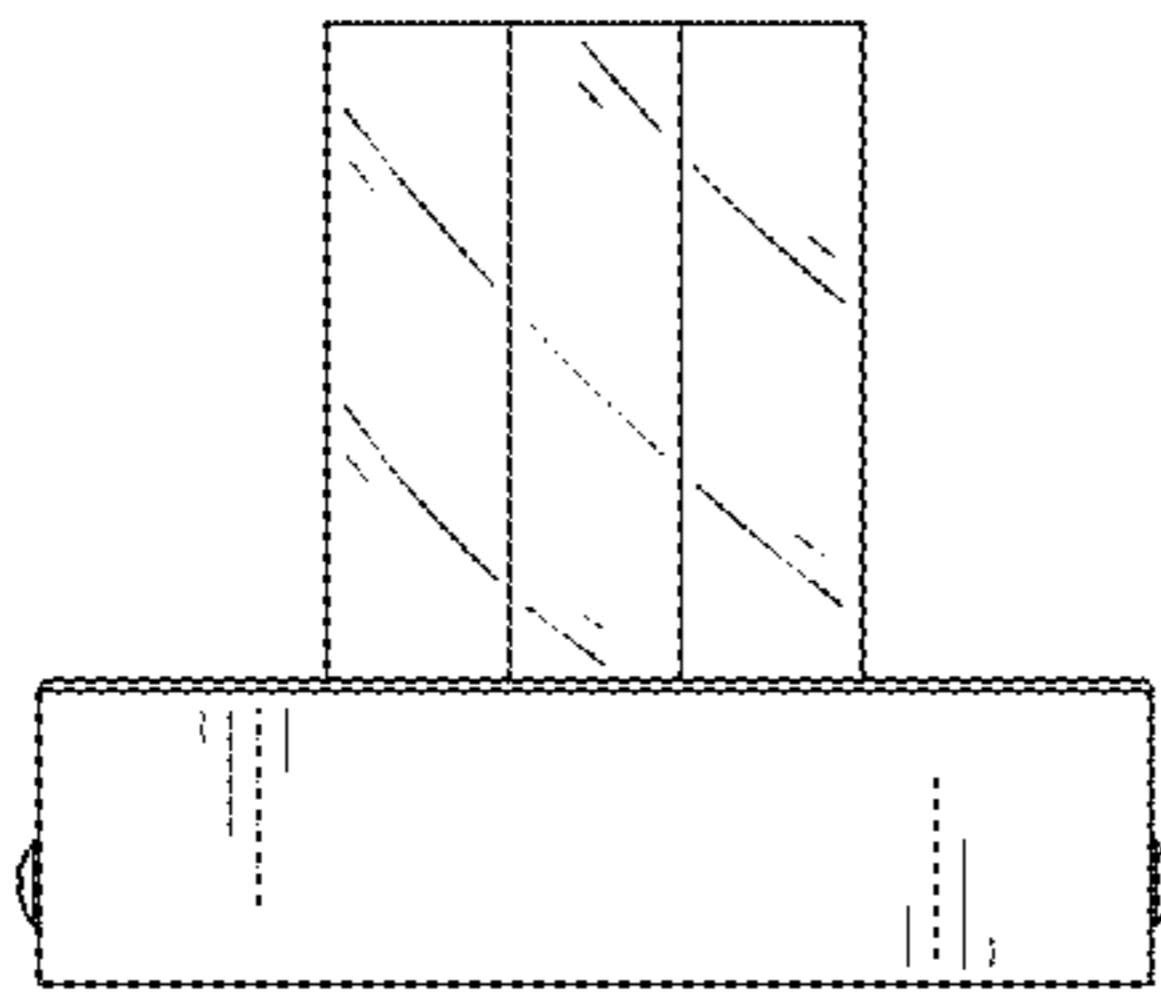


FIG. 13

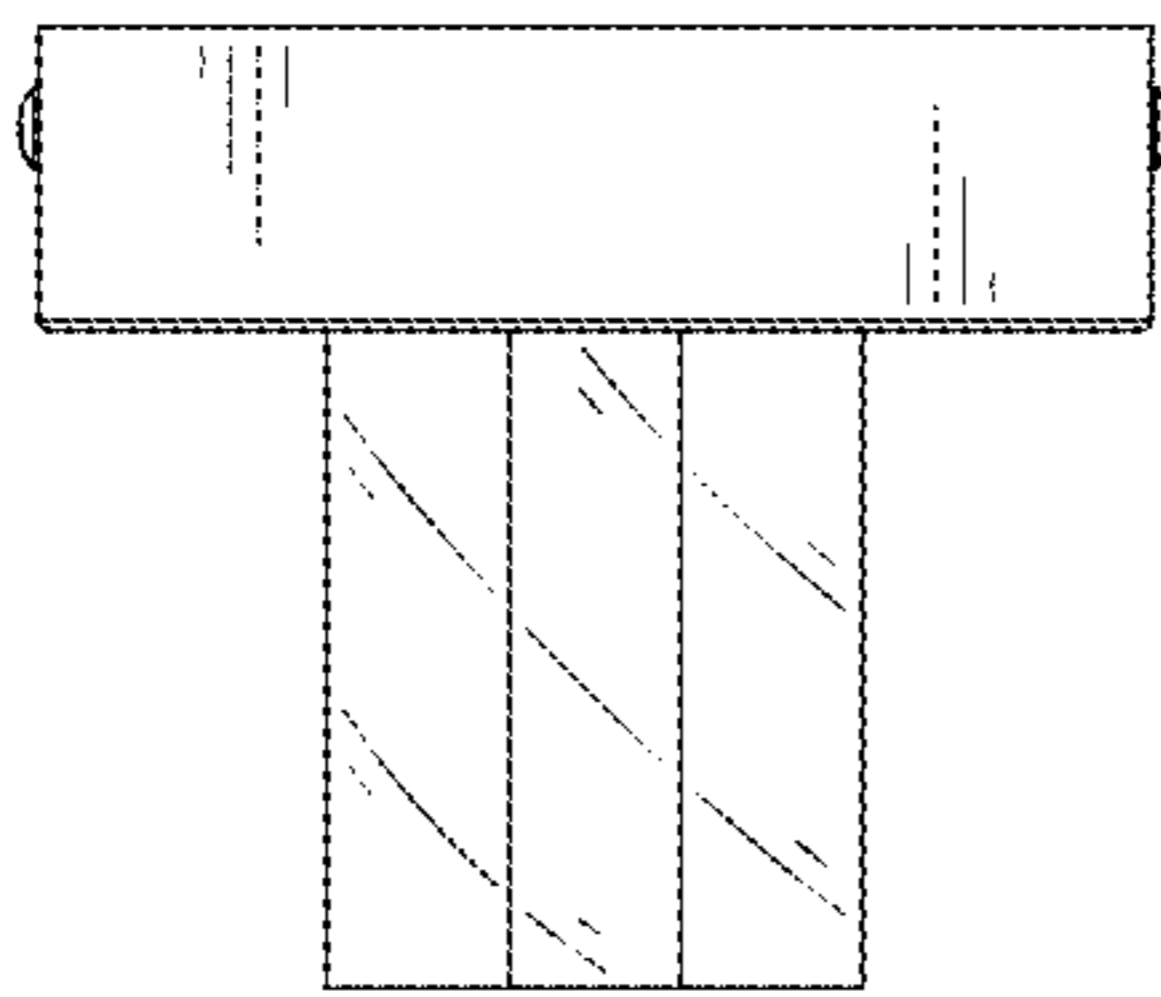


FIG. 14

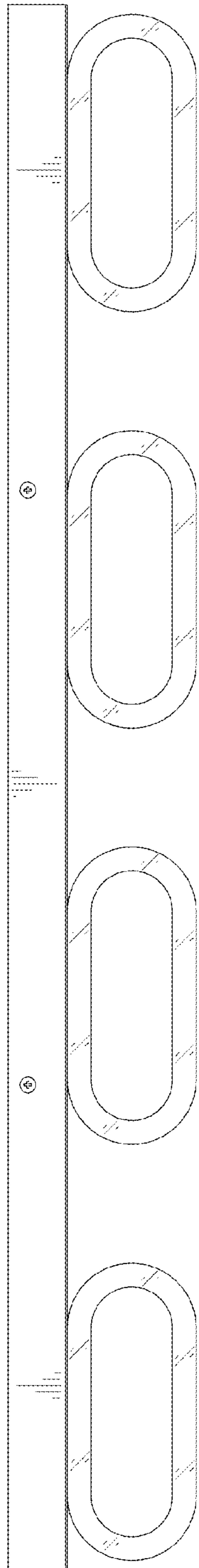


FIG. 15

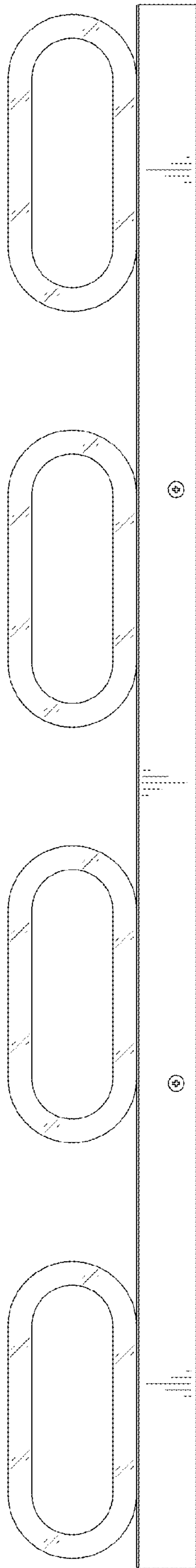


FIG. 16

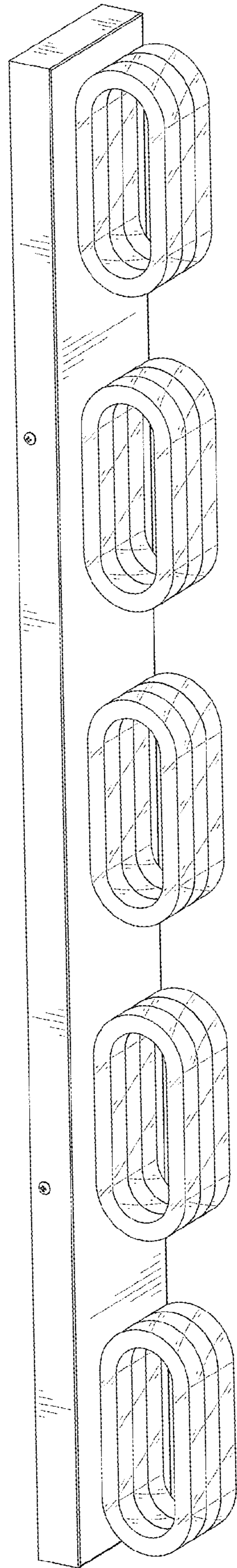


FIG. 17

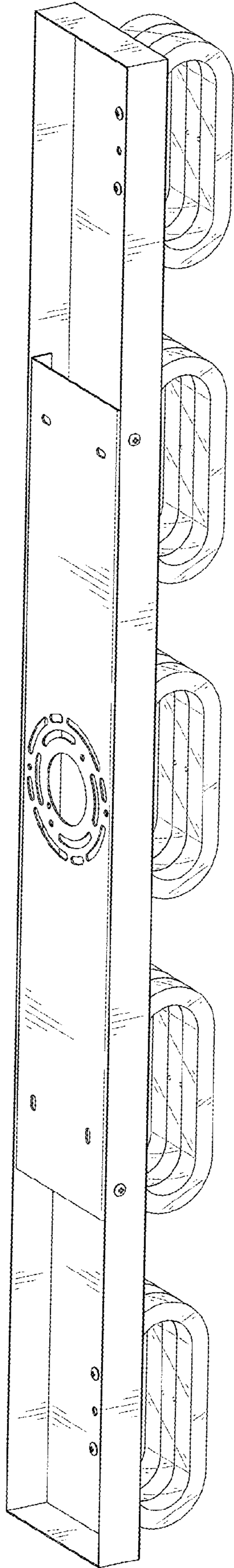


FIG. 18

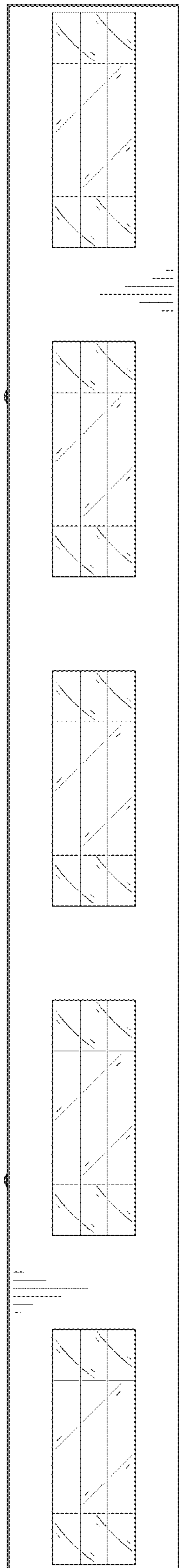


FIG. 19

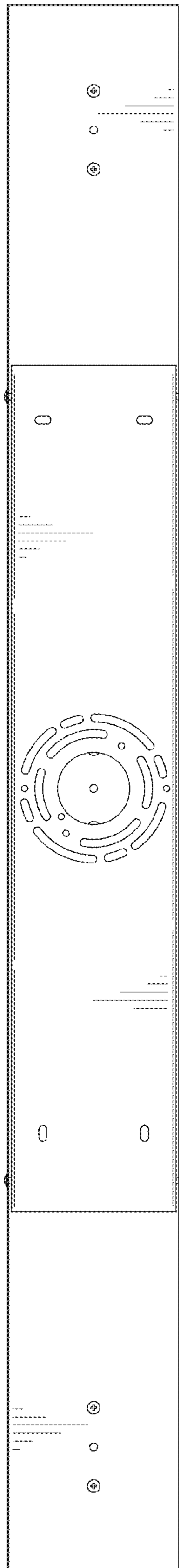


FIG. 20

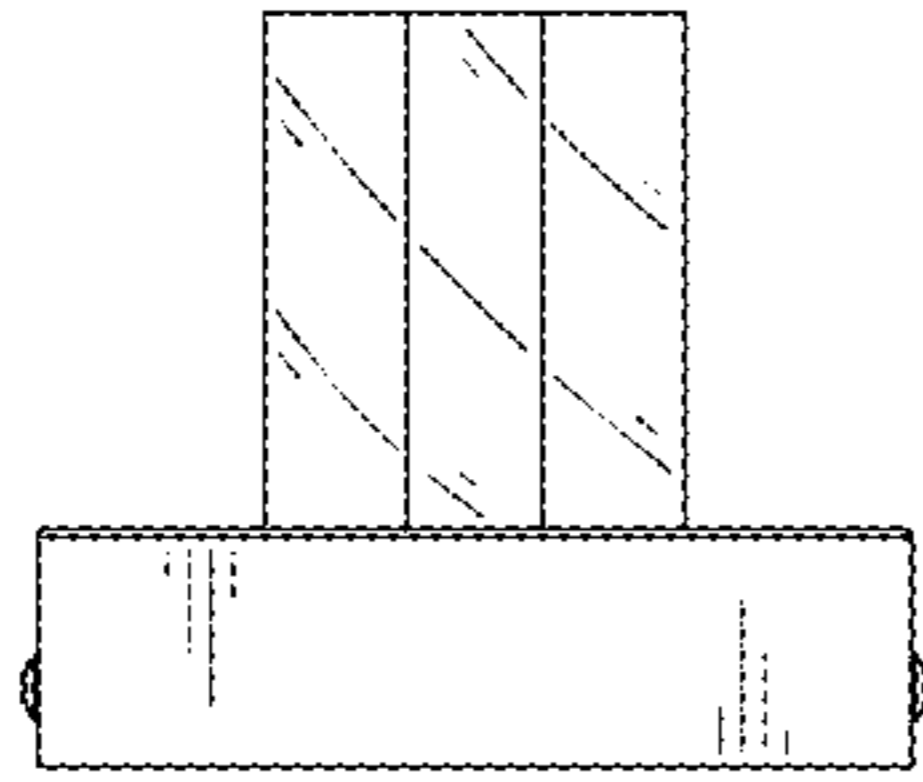


FIG. 21

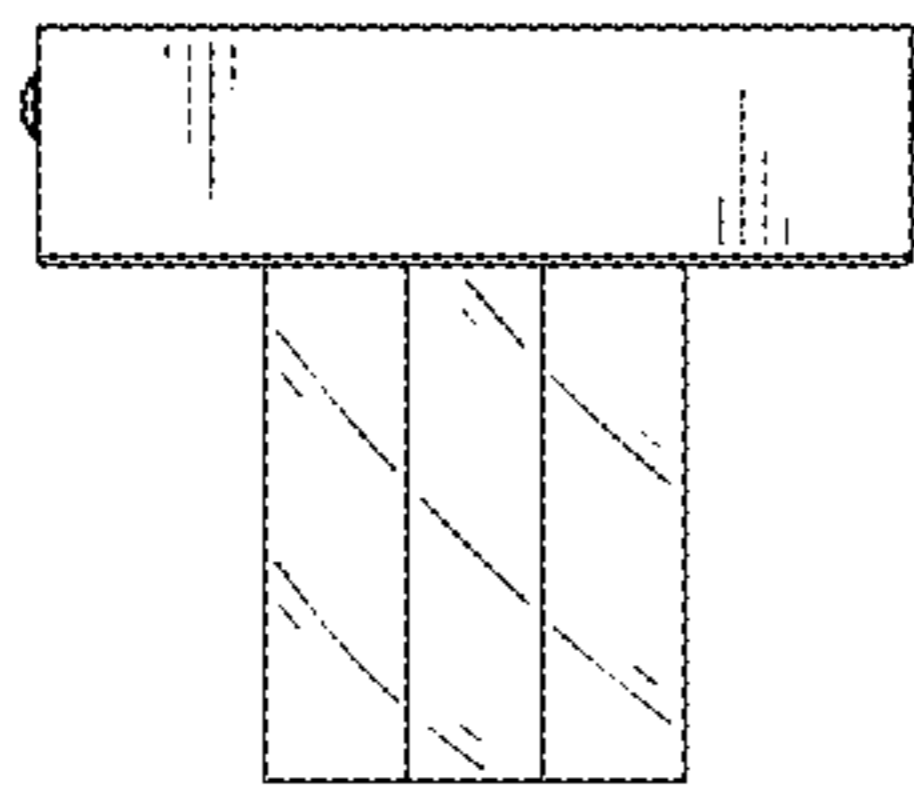


FIG. 22

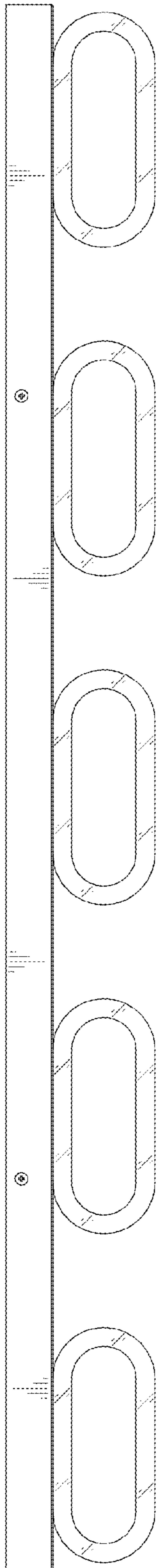


FIG. 23

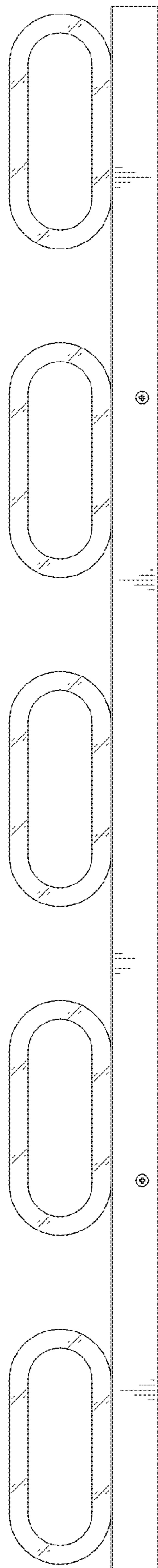


FIG. 24