



US00D950129S

(12) **United States Design Patent** (10) **Patent No.:** **US D950,129 S**  
**Knauff** (45) **Date of Patent:** **\*\* Apr. 26, 2022**

(54) **CEILING LAMP**

FOREIGN PATENT DOCUMENTS

(71) Applicant: **ANSORG GMBH**, Mulheim an der Ruhr (DE)

EM 002180885-0001 \* 2/2013  
EM 002180885-0002 \* 2/2013

(Continued)

(72) Inventor: **Volker Knauff**, Essen (DE)

OTHER PUBLICATIONS

(73) Assignee: **Ansorg GmbH**, Mulheim an der Ruhr (DE)

“Sun & Sand Sports,” 2015, ansorg.com, site visited Oct. 29, 2020, URL: <https://ansorg.com/en/references/fashion/sun-sand-sports/#/> (Year: 2015).\*

(\*\*) Term: **15 Years**

(Continued)

(21) Appl. No.: **29/684,980**

*Primary Examiner* — Eric L Goodman

*Assistant Examiner* — Sarah L Smith

(22) Filed: **Mar. 25, 2019**

(74) *Attorney, Agent, or Firm* — Dentons US LLP

(30) **Foreign Application Priority Data**

(57) **CLAIM**

Sep. 27, 2018 (WO) ..... WIPO75869

The ornamental design for a ceiling lamp, as shown and described.

(51) **LOC (13) Cl.** ..... **26-04**

**DESCRIPTION**

(52) **U.S. Cl.**

USPC ..... **D26/76; D26/72**

(58) **Field of Classification Search**

USPC ..... D26/24, 25, 26, 27, 60–69, 72, 74, 75, D26/76, 77, 78, 80, 81, 82, 83, 85, 86, D26/88, 89, 93, 104, 106, 108–115, 118, D26/120; D10/111–115

CPC ..... F21S 8/00; F21S 8/03; F21S 8/04; F21S 8/026; F21S 8/046; F21S 8/088; F21V 15/00; F21V 15/01

See application file for complete search history.

FIG. 1 is an illustration of an isometric view of a ceiling lamp, showing the front and left sides of the ceiling lamp and a portion of a bottom surface of a ceiling mount; FIG. 2 is an isometric view of the ceiling lamp of FIG. 1, showing the rear and right sides of the ceiling lamp and a portion of the bottom surface of the ceiling mount; FIG. 3 is a front elevational view of the ceiling lamp of FIG. 1; FIG. 4 is a right-side elevational view of the ceiling lamp of FIG. 1, the left-side view being a mirror image of the right-side view; FIG. 5 is a rear elevational view of the ceiling lamp of FIG. 1; FIG. 6 is a top view of the ceiling lamp of FIG. 1; and, FIG. 7 is a bottom view of the ceiling lamp of FIG. 1. The drawings include surface shading that represents contour and not surface ornamentation. The broken lines in the drawings depict parts of the article that form no part of the claimed design.

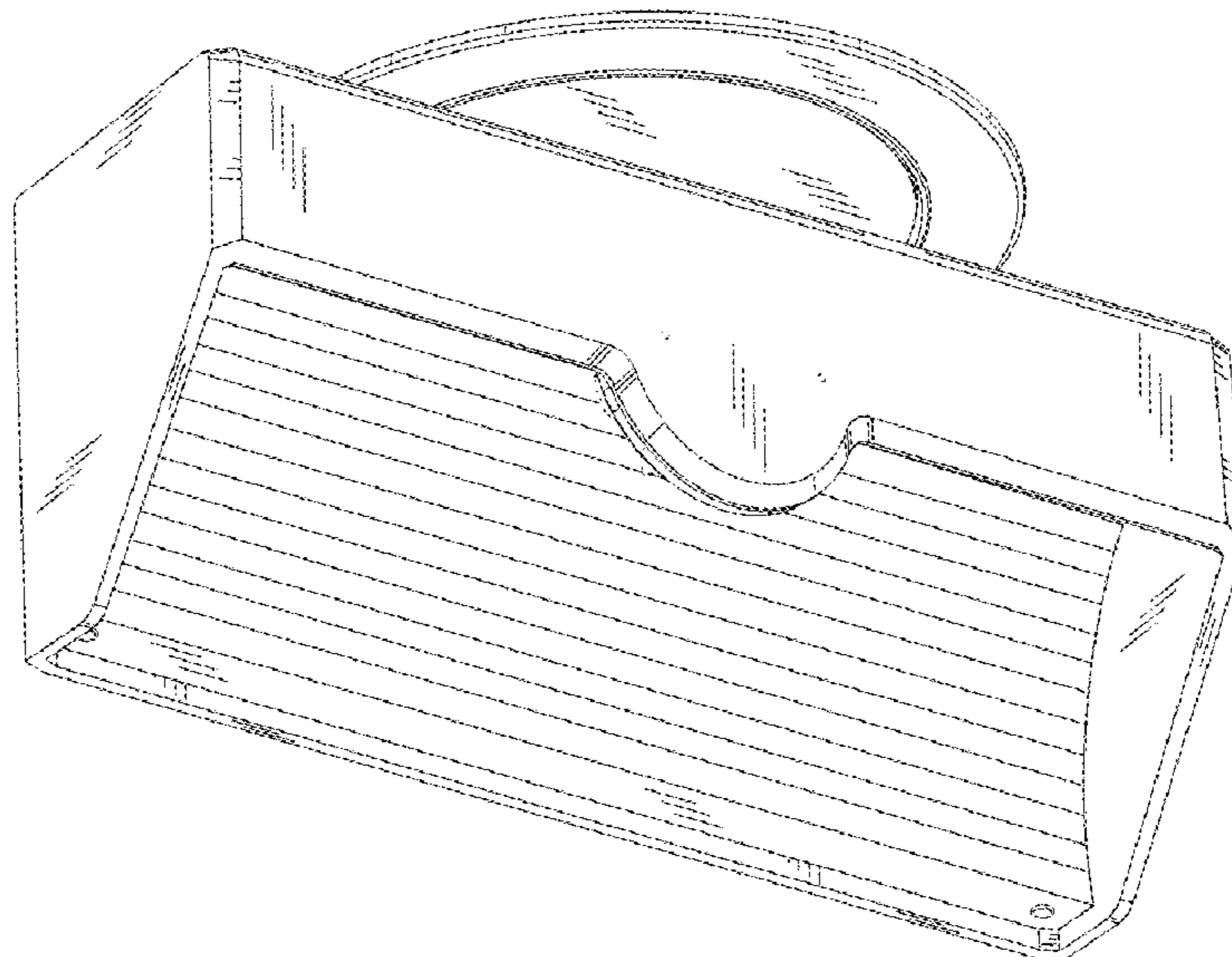
(56) **References Cited**

U.S. PATENT DOCUMENTS

D31,762 S \* 10/1899 Locke ..... D25/103  
2,323,073 A \* 6/1943 Netting ..... H01R 33/02  
362/225  
D191,762 S \* 11/1961 Rothman ..... D26/76

(Continued)

**1 Claim, 4 Drawing Sheets**



(56)

References Cited

U.S. PATENT DOCUMENTS

D203,060 S \* 11/1965 Schaefer ..... D26/76  
 D209,536 S \* 12/1967 McCain ..... D26/74  
 D216,911 S \* 3/1970 Specht ..... D26/24  
 D228,667 S \* 10/1973 Anderson ..... D26/71  
 D229,628 S \* 12/1973 Wolfson ..... D26/67  
 D364,479 S \* 11/1995 Gilbert ..... D26/75  
 D390,992 S \* 2/1998 Shemitz ..... D26/63  
 D543,307 S \* 5/2007 Bynum ..... D26/118  
 D561,370 S \* 2/2008 Sandell ..... F21V 29/15  
 D612,975 S \* 3/2010 Guercio ..... D26/85  
 D629,548 S \* 12/2010 Cai ..... D26/63  
 D691,320 S \* 10/2013 Guercio ..... D26/85  
 D834,736 S \* 11/2018 Liu ..... 26/85  
 D862,764 S \* 10/2019 Deng ..... D26/118  
 D895,885 S \* 9/2020 Hong ..... D26/71  
 D932,084 S \* 9/2021 Knauff ..... D26/76  
 D935,083 S \* 12/2021 Knauff ..... D26/49  
 2004/0085770 A1 \* 5/2004 Tyler ..... F21V 29/15  
 362/297

FOREIGN PATENT DOCUMENTS

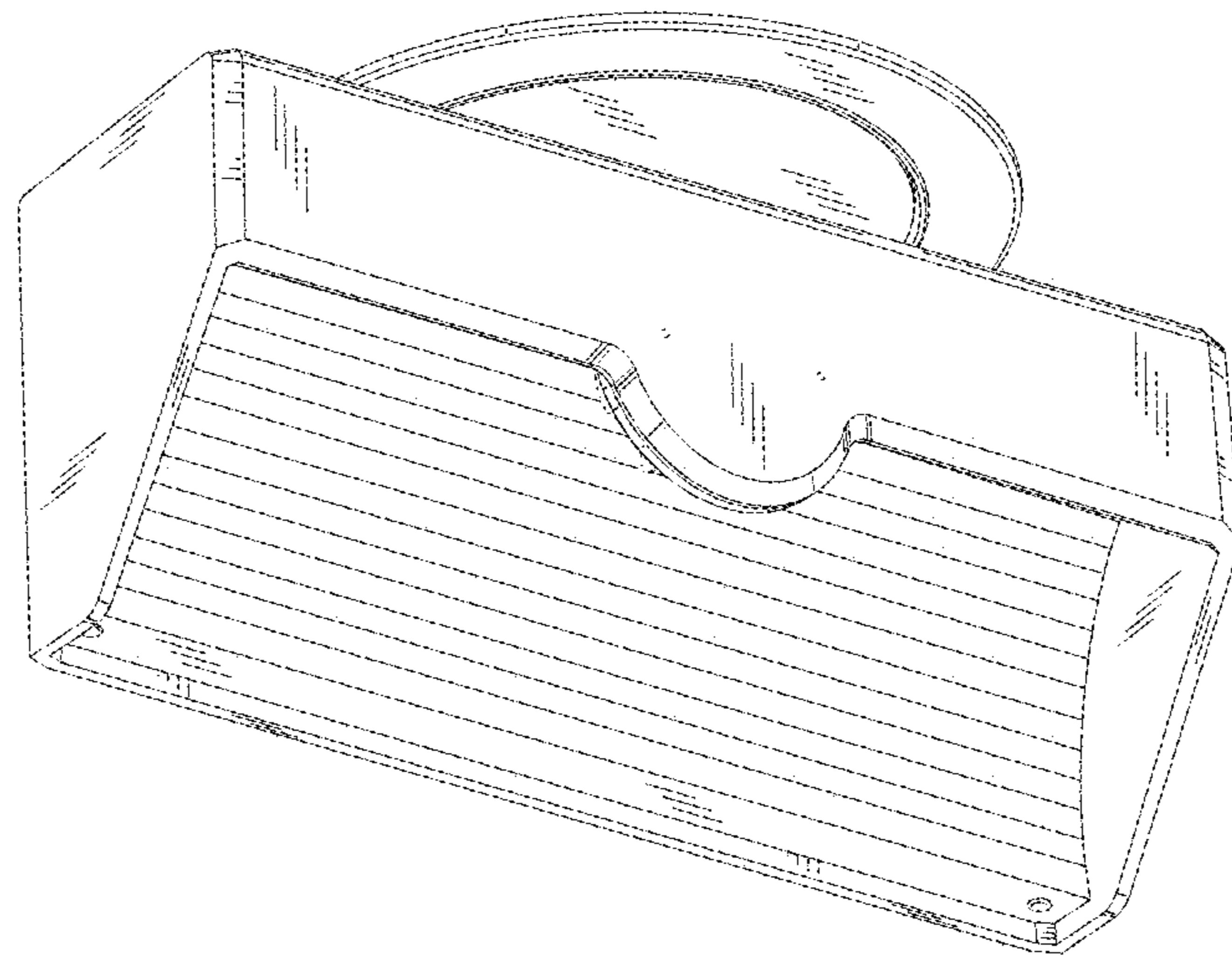
EM 002413518-0002 \* 3/2014  
 EM 002439489-0005 \* 5/2014  
 WO D103112-002 \* 10/2018

OTHER PUBLICATIONS

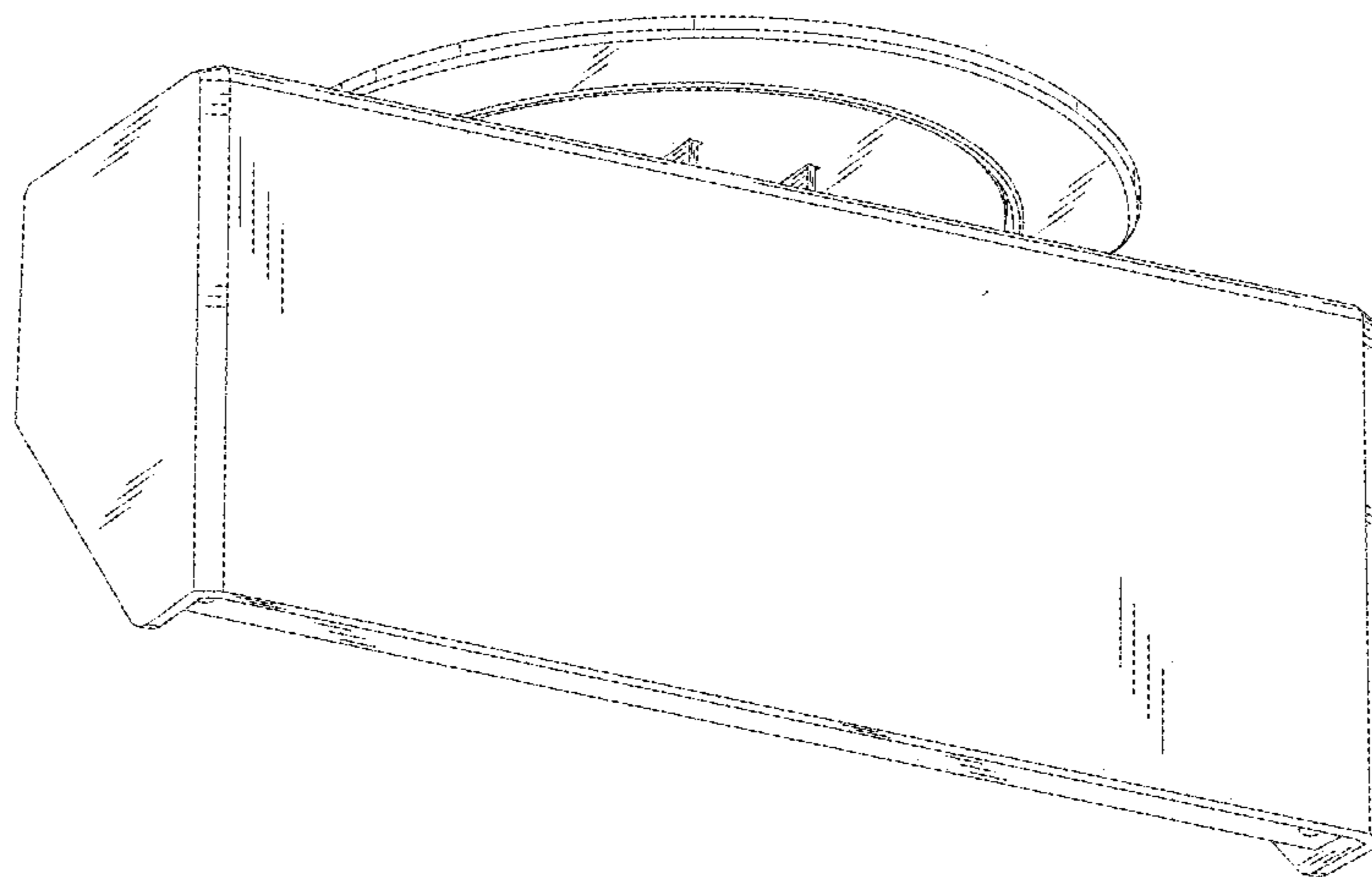
“Navo,” 2016, [german-design-award.com](http://www.german-design-award.com), site visited Dec. 11, 2020, URL: <https://www.german-design-award.com/en/the-winners/gallery/detail/5573-navo.html> (Year: 2016).  
 “150W LED Wall Pack Light with Dusk-to-Dawn Photocell,” Jan. 5, 2017, [amazon.com](http://amazon.com), site visited Oct. 29, 2020, URL: [https://www.amazon.com/18000lm-Outdoor-Security-600-800W-Replacement/dp/B00P5VMN86/ref=sr\\_1\\_8?dchild=1&keywords=wall+pack+light&qid=1603977308&sr=8-8](https://www.amazon.com/18000lm-Outdoor-Security-600-800W-Replacement/dp/B00P5VMN86/ref=sr_1_8?dchild=1&keywords=wall+pack+light&qid=1603977308&sr=8-8) (Year: 2017).  
 “Dodo Outlet Center,” 2017, [ansorg.com](http://ansorg.com), site visited Oct. 29, 2020, URL: <https://ansorg.com/en/references/home-stores/dodo-outlet-store/#/> (Year: 2017).  
 “Bio & Co.,” 2017, [ansorg.com](http://ansorg.com), site visited Oct. 29, 2020, URL: <https://ansorg.com/en/references/food/bio-co-vallauris/#/> (Year: 2017).

\* cited by examiner

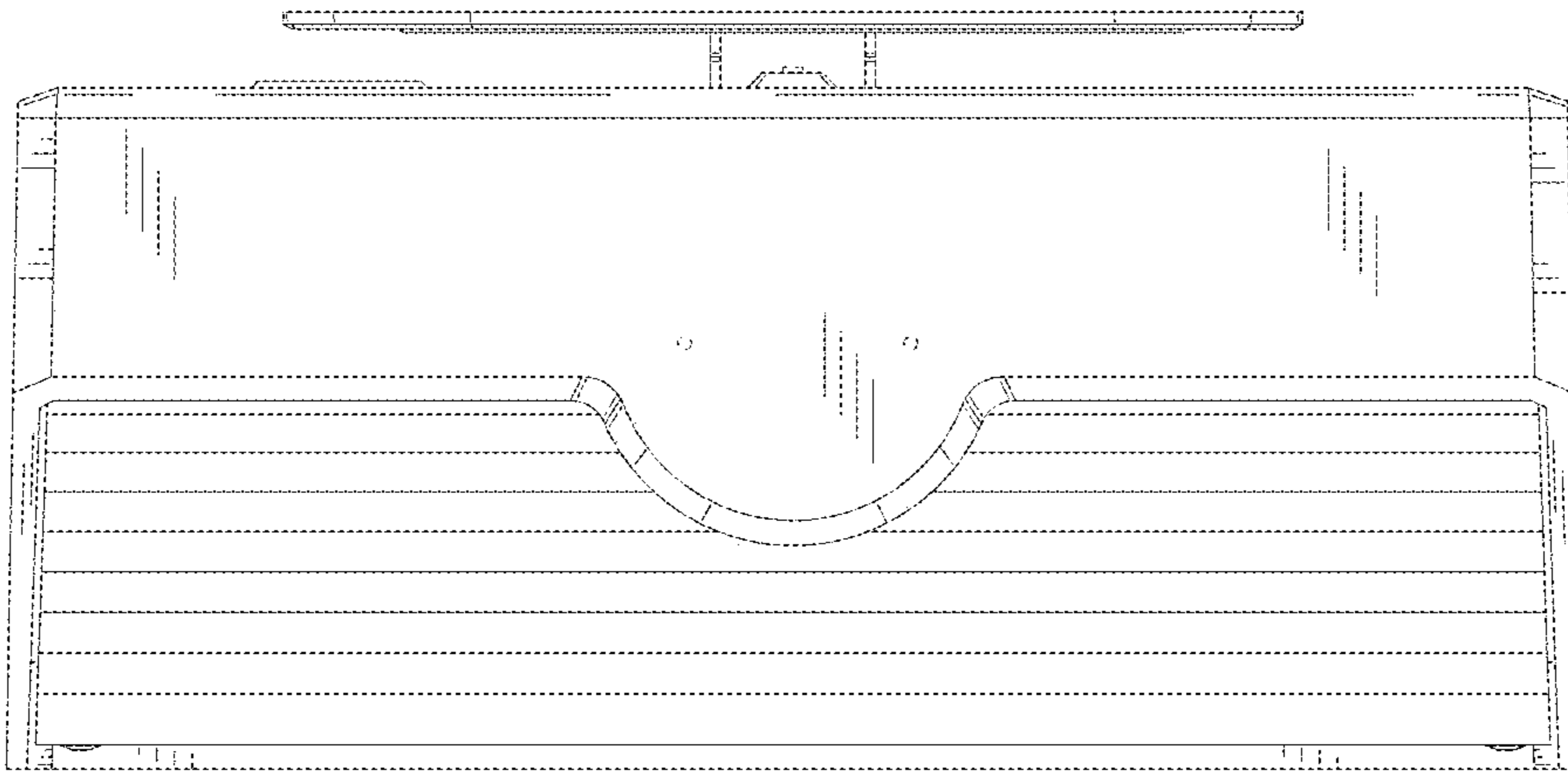
**Fig. 1**



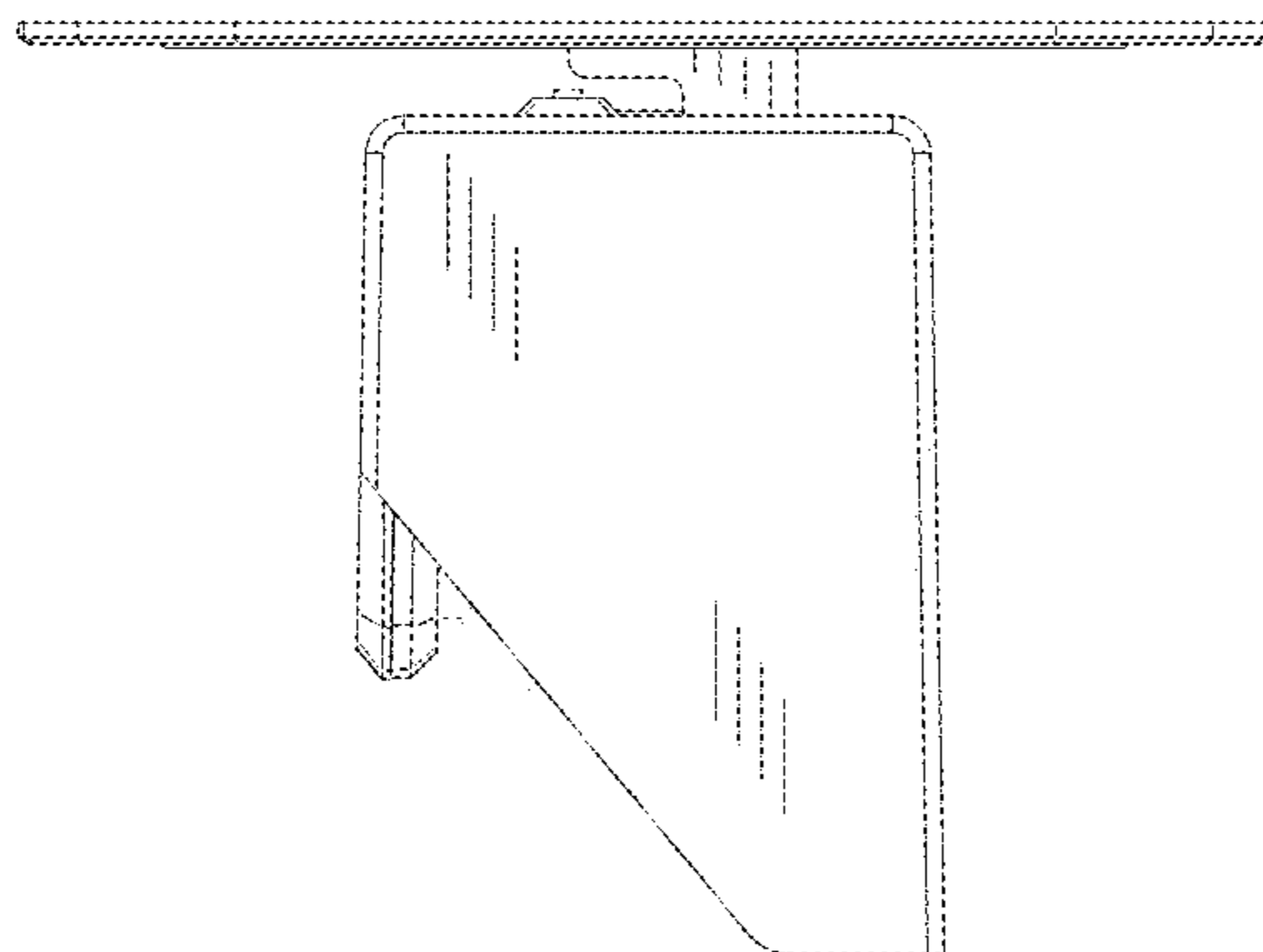
**Fig. 2**



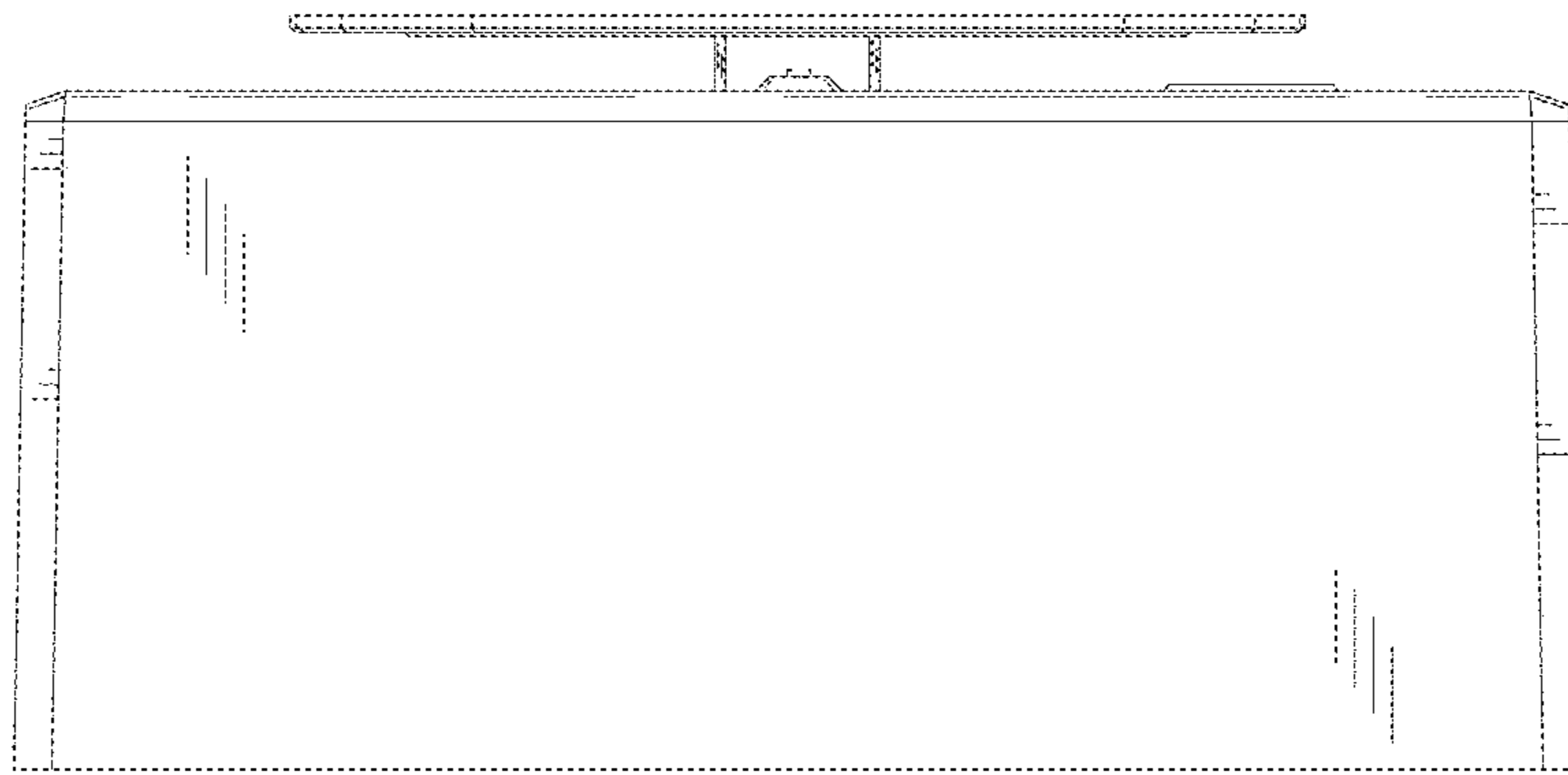
**Fig. 3**



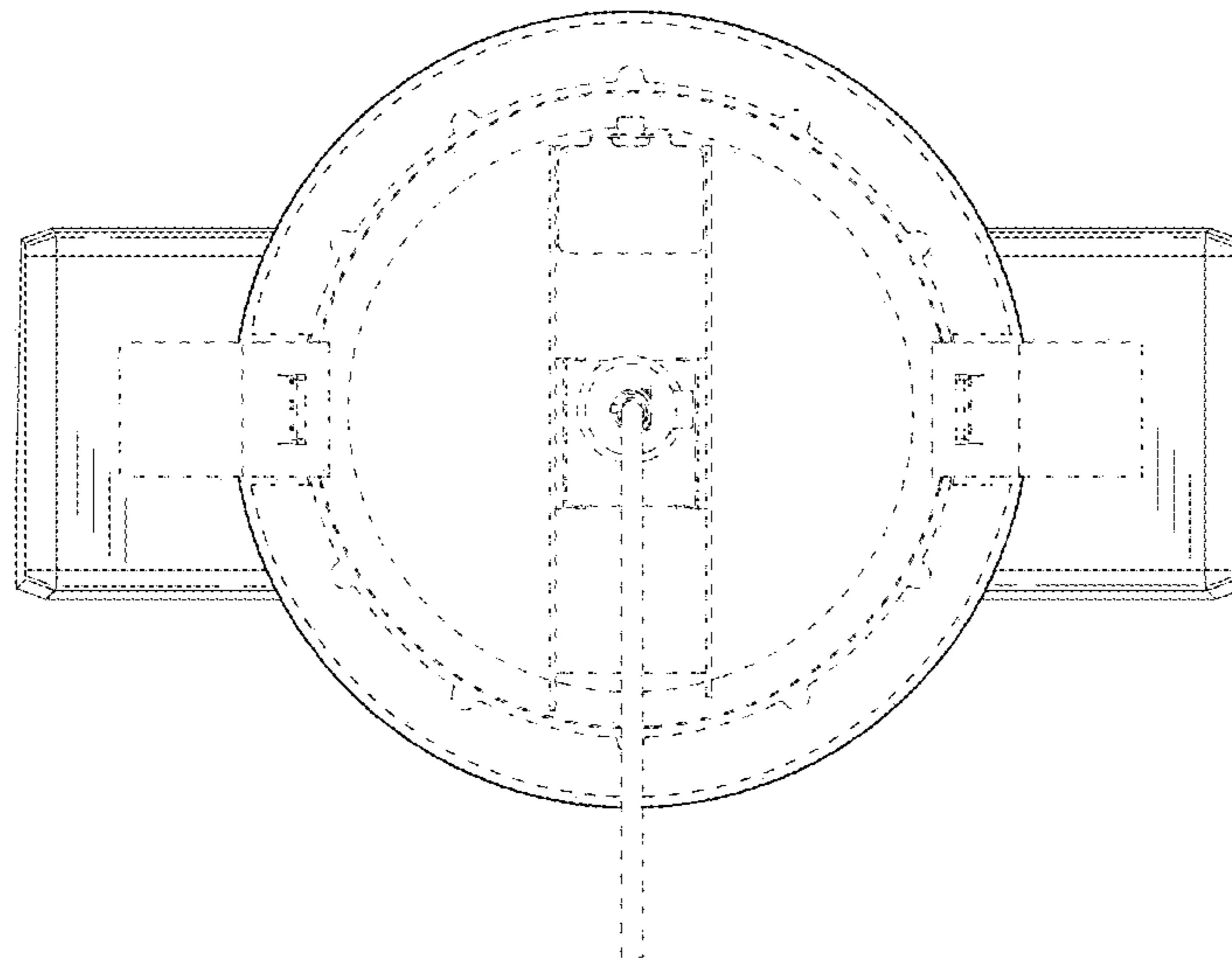
**Fig. 4**



**Fig. 5**



**Fig. 6**



**Fig. 7**

