

US00D950128S

(12) **United States Design Patent**
Hsu

(10) **Patent No.:** **US D950,128 S**

(45) **Date of Patent:** **** Apr. 26, 2022**

(54) **LAMP**

(71) Applicant: **Dong Guan Jia Sheng Lighting Technology Co., Ltd. China,**
Dong-Guna (CN)

(72) Inventor: **Kevin Hsu,** Taichung (TW)

(73) Assignee: **Dong Guan Jia Sheng Lighting Technology Co., Ltd. China,**
Guang-Dong (CN)

(**) Term: **15 Years**

(21) Appl. No.: **29/719,828**

(22) Filed: **Jan. 8, 2020**

(51) **LOC (13) Cl.** **26-05**

(52) **U.S. Cl.**
USPC **D26/72**

(58) **Field of Classification Search**
USPC D10/111–115; D26/8, 24, 26, 34, 44, 51,
D26/58, 60, 61, 63, 67, 71, 72, 75, 76,
D26/78, 80, 85–89, 92, 113, 117, 118,
D26/121, 135
CPC F21S 8/00; F21S 8/03; F21S 8/33; F21S
8/36; F21S 8/043; F21S 8/086; F21S
9/02; F21S 9/035

See application file for complete search history.

(56) **References Cited**

U.S. PATENT DOCUMENTS

D296,015 S * 5/1988 Falconer D26/72
D335,933 S * 5/1993 Yang D26/107

D391,007 S * 2/1998 Hergert D26/104
D413,176 S * 8/1999 Mier-Langner D26/63
D626,266 S * 10/2010 Verelst D26/71
D626,679 S * 11/2010 Verelst D26/85
D652,981 S * 1/2012 Kristiansen D26/93
D667,159 S * 9/2012 Wauters D26/87
D678,580 S * 3/2013 Rizzi D26/71
D692,608 S * 10/2013 Douglas D26/107
D734,528 S * 7/2015 Douglas D26/107
10,969,093 B1 * 4/2021 Hsu G08B 13/00
D921,265 S * 6/2021 Hsu D26/72

* cited by examiner

Primary Examiner — Richard Kearney

(74) *Attorney, Agent, or Firm* — Karin L. Williams; Alan D. Kamrath; Mayer & Williams PC

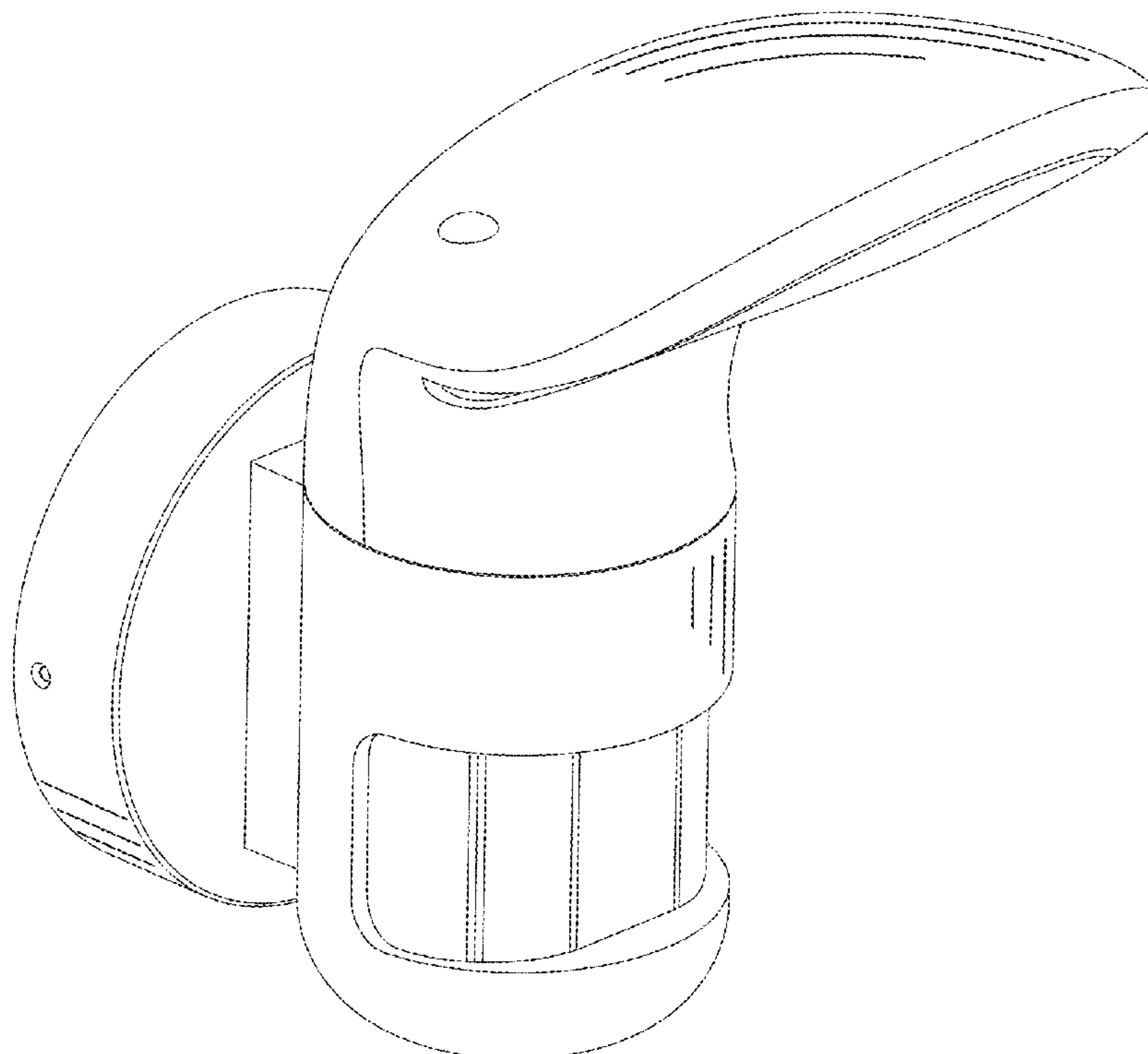
(57) **CLAIM**

The ornamental design for a lamp, as shown and described.

DESCRIPTION

FIG. 1 is a perspective view of a lamp showing my design.
FIG. 2 is a front elevational view thereof.
FIG. 3 is a rear elevational view thereof.
FIG. 4 is a left side elevational view thereof.
FIG. 5 is a right side elevational view thereof.
FIG. 6 is a top plan view thereof.
FIG. 7 is a bottom plan view thereof; and,
FIG. 8 is another perspective view thereof.
The broken lines shown in the drawings illustrate portions of the article and form no part of the claimed design.

1 Claim, 8 Drawing Sheets



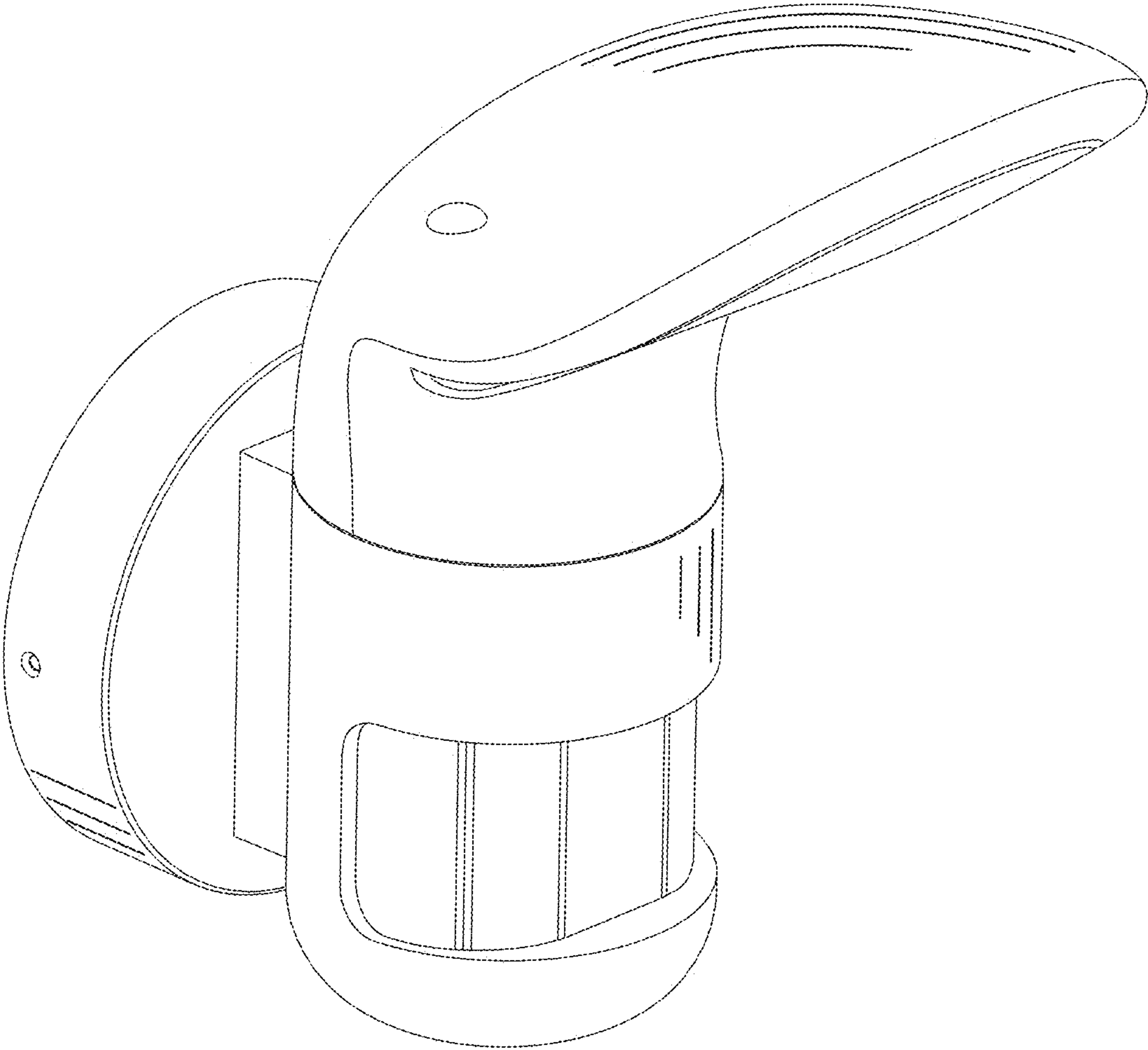


FIG.1

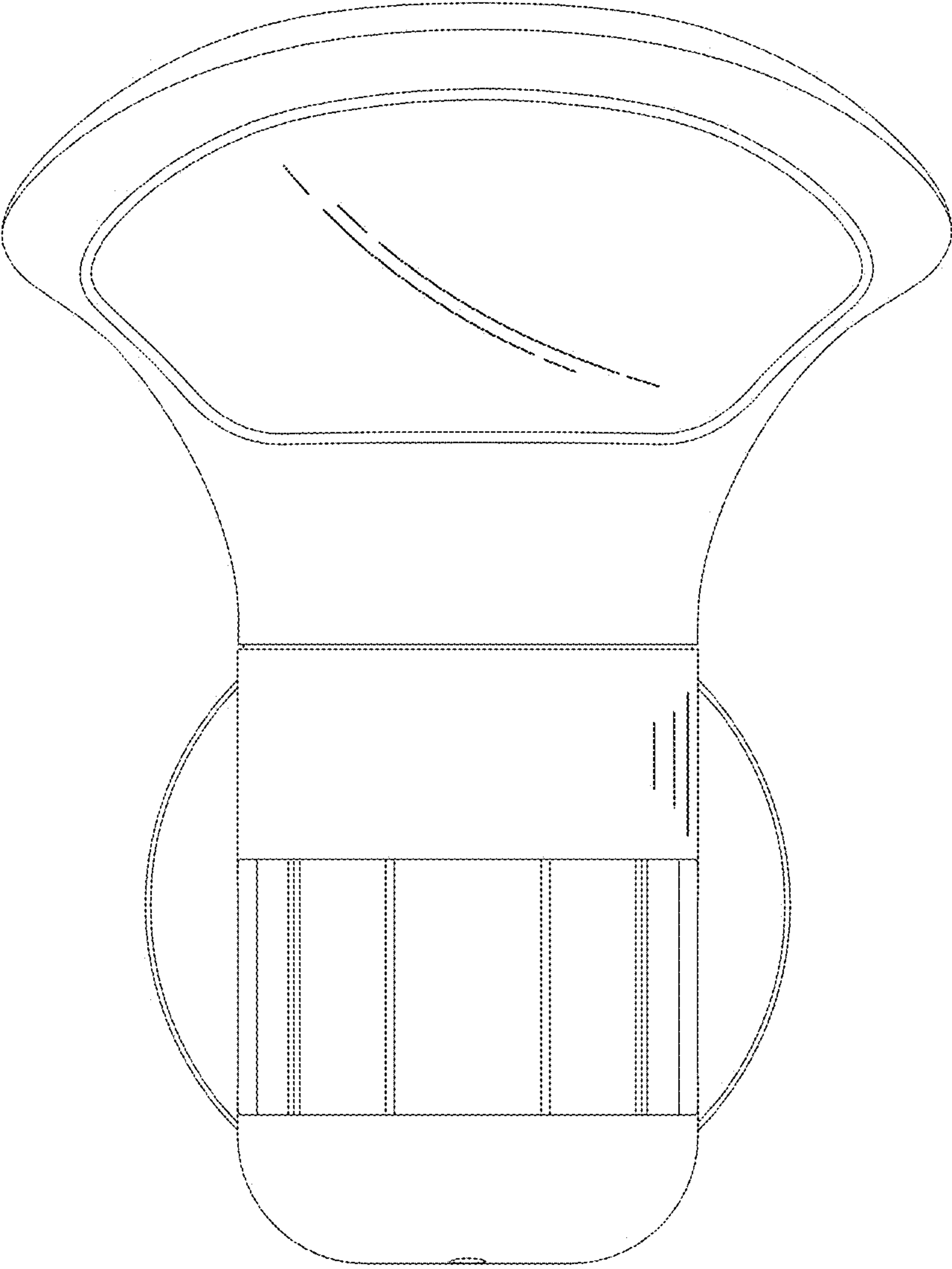


FIG.2

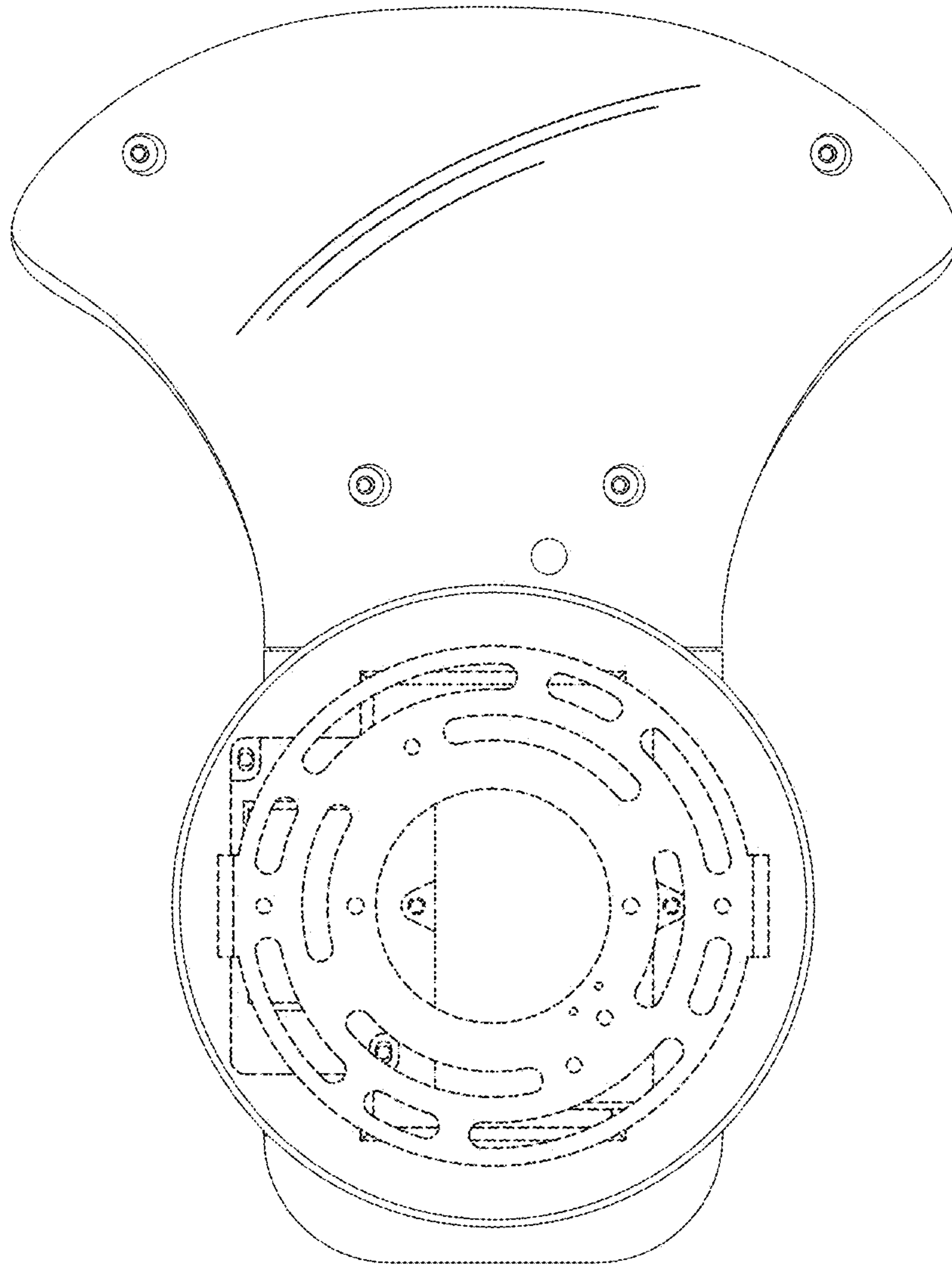


FIG.3

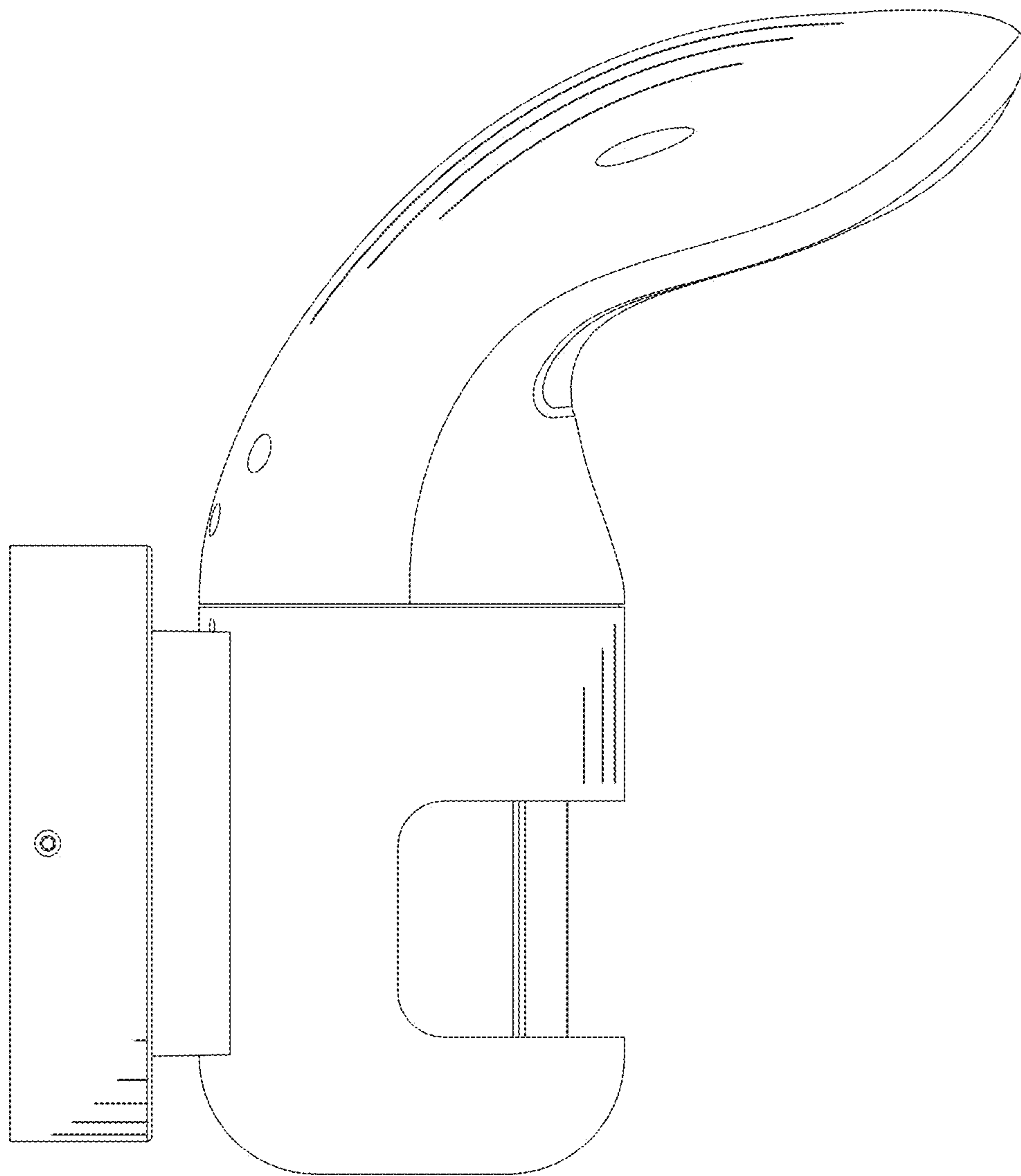


FIG.4

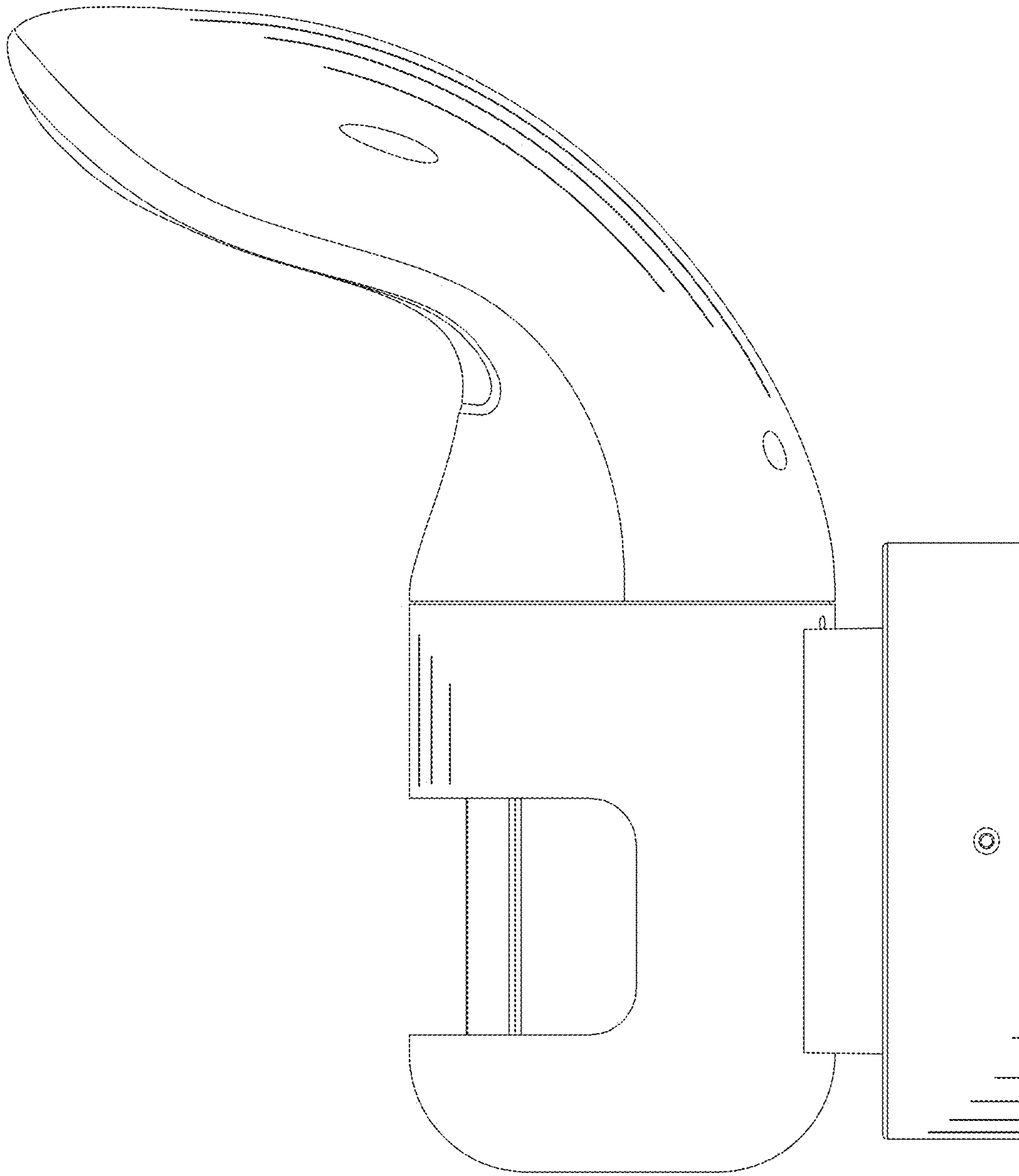


FIG.5

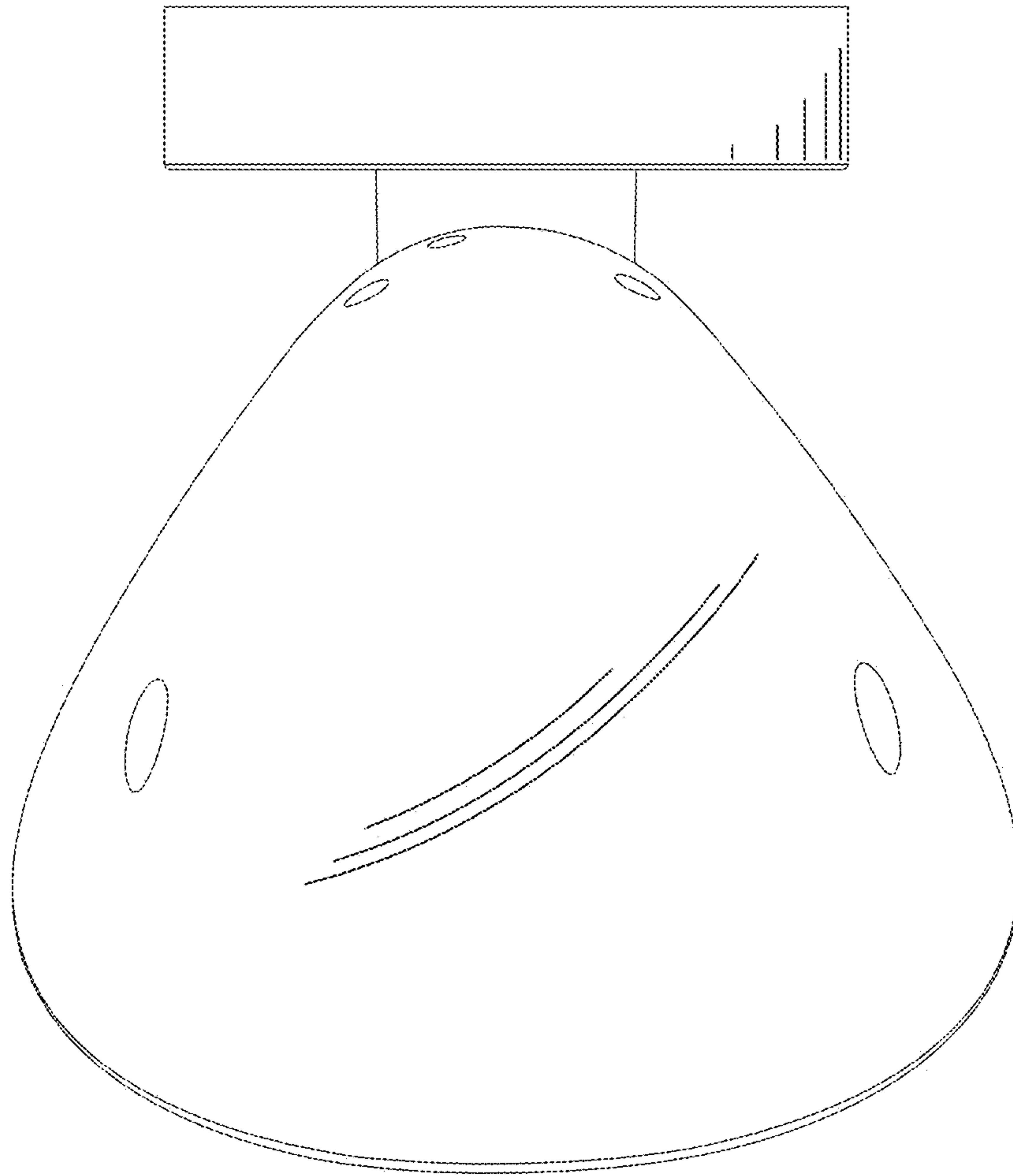


FIG.6

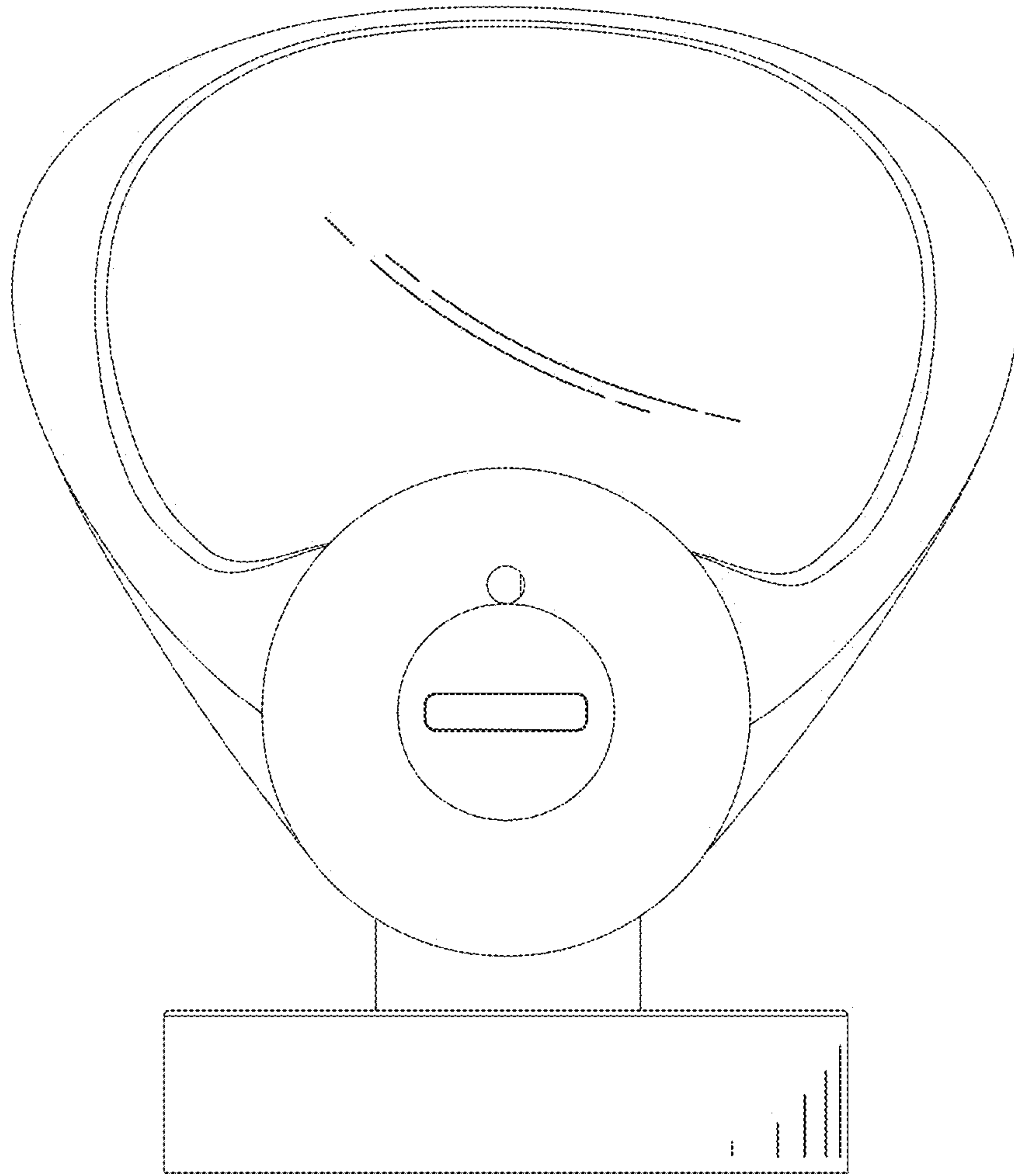


FIG. 7

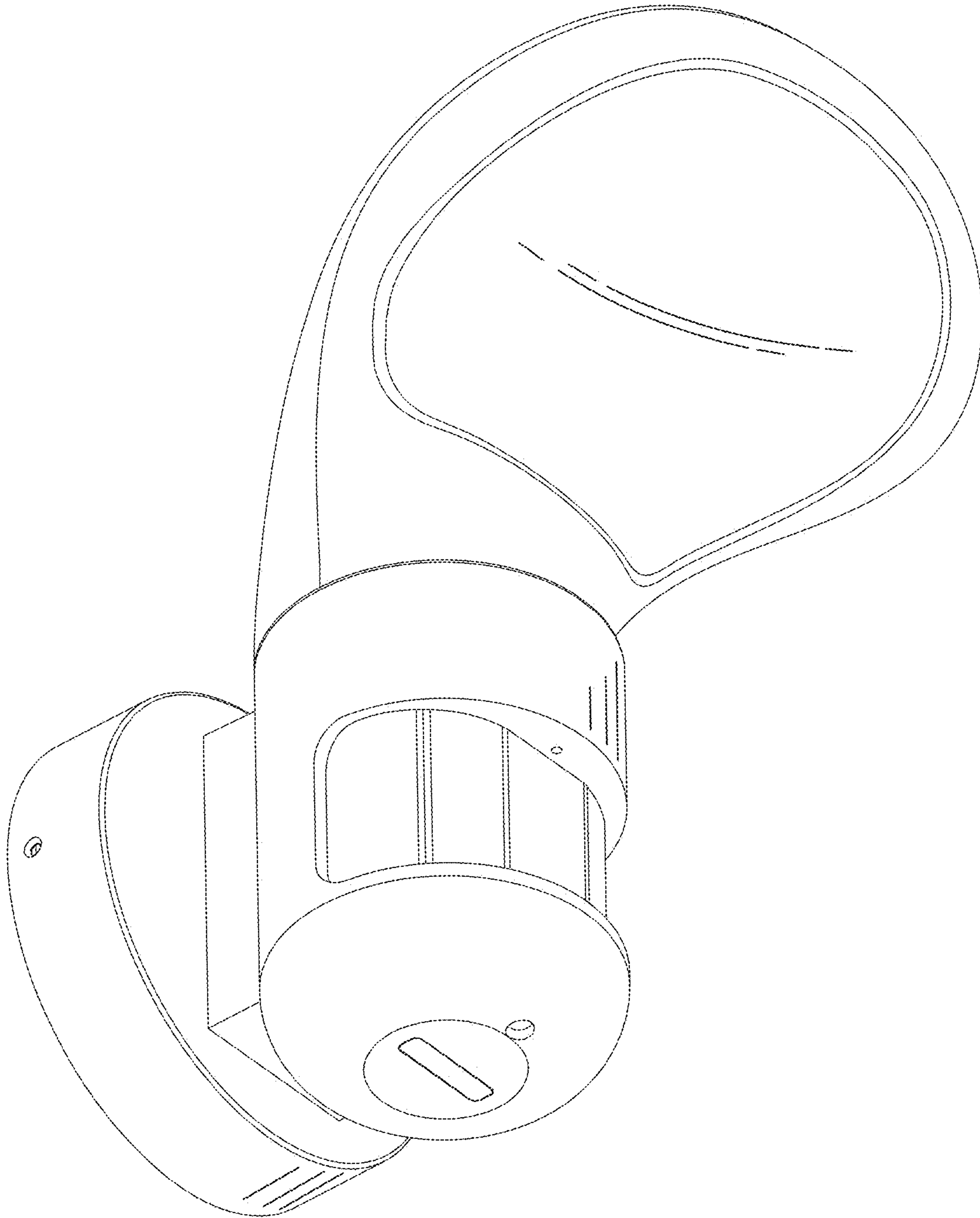


FIG. 8