



US00D950127S

(12) **United States Design Patent** (10) **Patent No.:** **US D950,127 S**  
**Zhong** (45) **Date of Patent:** **\*\* Apr. 26, 2022**

(54) **PROJECTION LAMP**  
(71) Applicant: **Jinger Zhong**, Shenzhen (CN)  
(72) Inventor: **Jinger Zhong**, Shenzhen (CN)  
(\*\*) Term: **15 Years**

D914,943 S \* 3/2021 Wu ..... D26/63  
D914,957 S 3/2021 Zeng  
D915,652 S \* 4/2021 Li ..... D26/63  
D915,653 S \* 4/2021 Hsu ..... D26/63  
D919,153 S \* 5/2021 Huang ..... D26/63  
11,067,262 B2 \* 7/2021 Mullen ..... F21V 21/08  
2010/0127282 A1 \* 5/2010 Harbers ..... H01L 22/12  
257/89

(Continued)

(21) Appl. No.: **29/779,303**  
(22) Filed: **Apr. 19, 2021**  
(51) **LOC (13) Cl.** ..... **26-05**  
(52) **U.S. Cl.**  
USPC ..... **D26/67; D26/61**  
(58) **Field of Classification Search**  
USPC ..... D26/21, 60-61, 63-68, 85-86, 104-105,  
D26/138  
CPC ... A61N 5/06; F21S 6/00; G03B 15/02; F21V  
21/08  
See application file for complete search history.

FOREIGN PATENT DOCUMENTS

GB 9008014179-0001 \* 6/2020

OTHER PUBLICATIONS

Outdoor projector lights, Wayfair website 2022, site visited Jan. 14, 2022, [https://www.wayfair.com/holiday-decor/pdp/the-holiday-aisle-christmas-projector-lights-outdoor-snowflake-lights.\\*](https://www.wayfair.com/holiday-decor/pdp/the-holiday-aisle-christmas-projector-lights-outdoor-snowflake-lights.*)

*Primary Examiner* — John R Yeh

(56) **References Cited**

U.S. PATENT DOCUMENTS

D340,305 S \* 10/1993 Hall ..... D26/68  
D376,865 S \* 12/1996 Chan ..... D26/60  
D383,559 S \* 9/1997 Chan ..... D26/60  
D442,717 S \* 5/2001 Binsukor ..... D26/63  
6,317,088 B1 \* 11/2001 Lindsay ..... H01Q 1/02  
343/704  
7,137,721 B1 \* 11/2006 Rao ..... F21V 21/0824  
362/371  
D634,886 S \* 3/2011 Kim ..... D26/138  
D636,116 S \* 4/2011 Kim ..... D26/138  
D754,774 S \* 4/2016 Chang ..... D16/239  
D794,858 S \* 8/2017 Ferlauto ..... D26/63  
D797,975 S \* 9/2017 Lentine ..... D26/67  
D828,943 S \* 9/2018 Yang ..... D26/63  
D836,232 S \* 12/2018 Yang ..... D26/63  
D849,981 S \* 5/2019 Hwa ..... D26/63  
D851,313 S \* 6/2019 Zheng ..... D26/63  
D890,974 S \* 7/2020 Huang ..... D26/63  
D891,682 S 7/2020 Wei  
D900,372 S \* 10/2020 Peng ..... D26/63

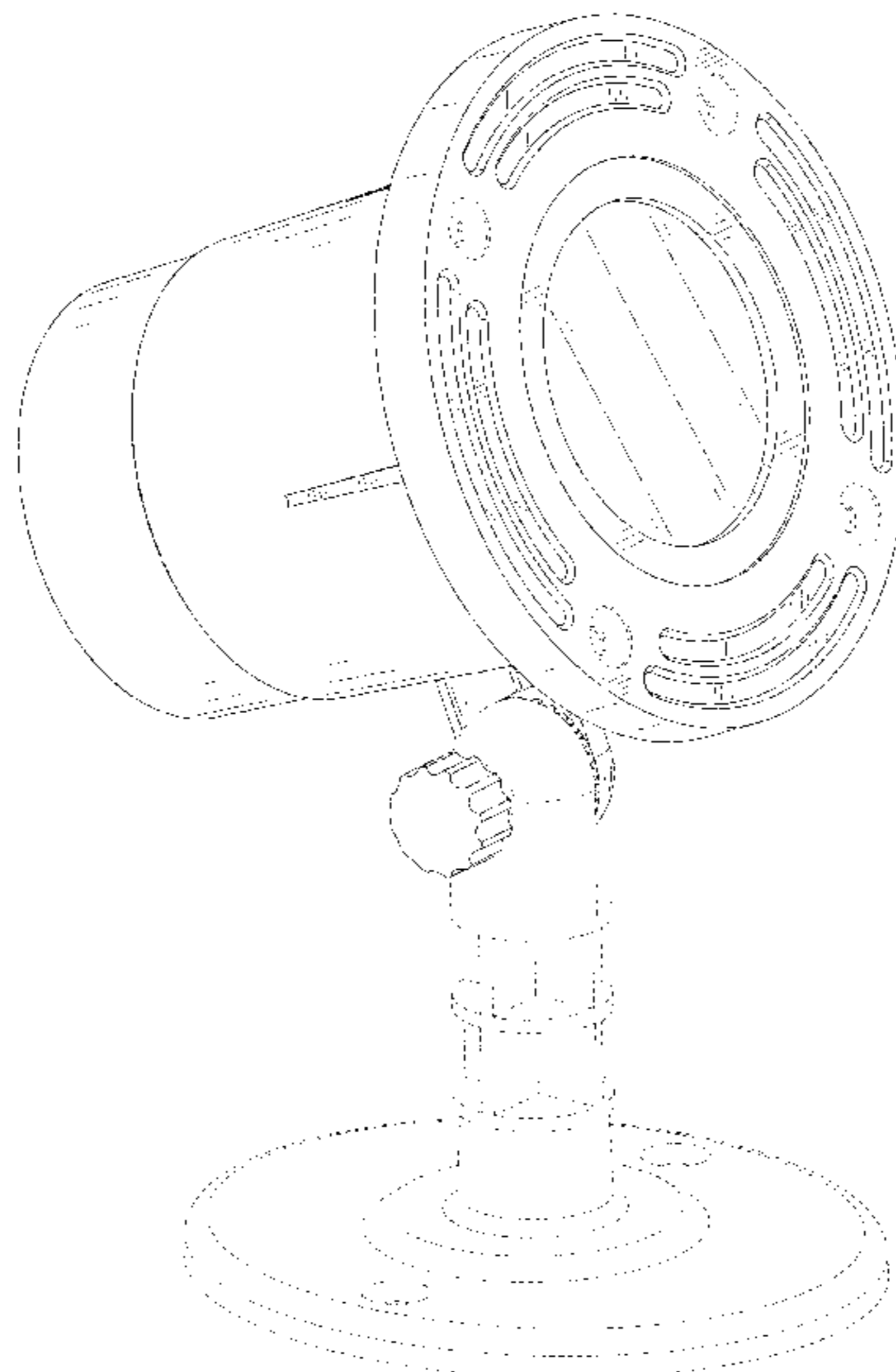
(57) **CLAIM**

The ornamental design for a projection lamp, as shown and described.

**DESCRIPTION**

FIG. 1 is a front perspective view of a first embodiment of a projection lamp showing my new design; FIG. 2 is another perspective view thereof; FIG. 3 is a front elevational view thereof; FIG. 4 is a rear elevational view thereof; FIG. 5 is a left side elevational view thereof; FIG. 6 is a right side elevational view thereof; FIG. 7 is a top plan view thereof; FIG. 8 is a bottom plan view thereof; and, FIG. 9 is a perspective view of a second embodiment of the projection lamp. The broken lines in the drawings depict portions of the projection lamp that form no part of the claimed design.

**1 Claim, 9 Drawing Sheets**



(56)

**References Cited**

U.S. PATENT DOCUMENTS

2016/0238221 A1\* 8/2016 Lentine ..... H05B 45/20  
2017/0045208 A1\* 2/2017 Lentine ..... F21V 23/045

\* cited by examiner

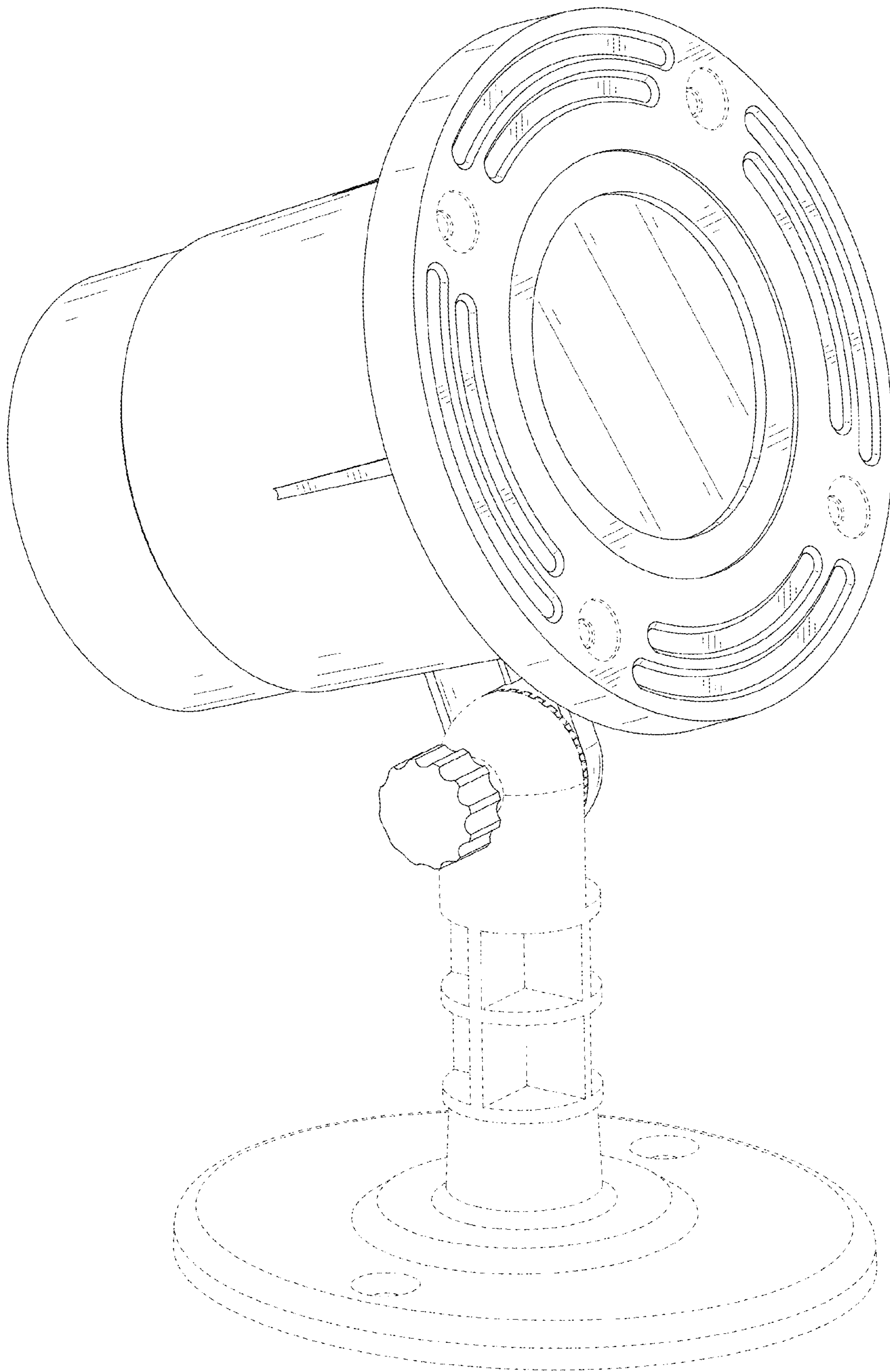


FIG. 1

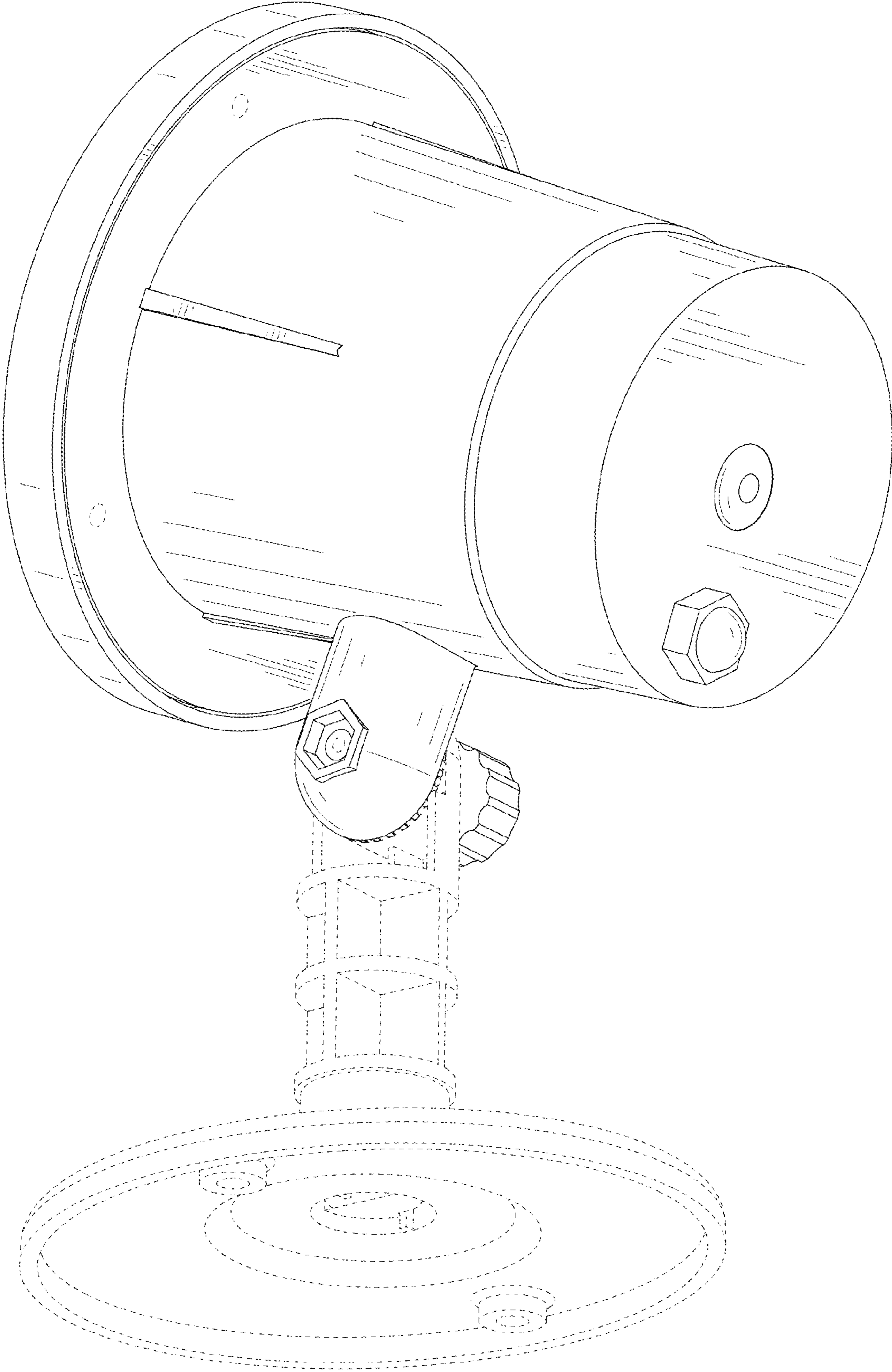


FIG. 2

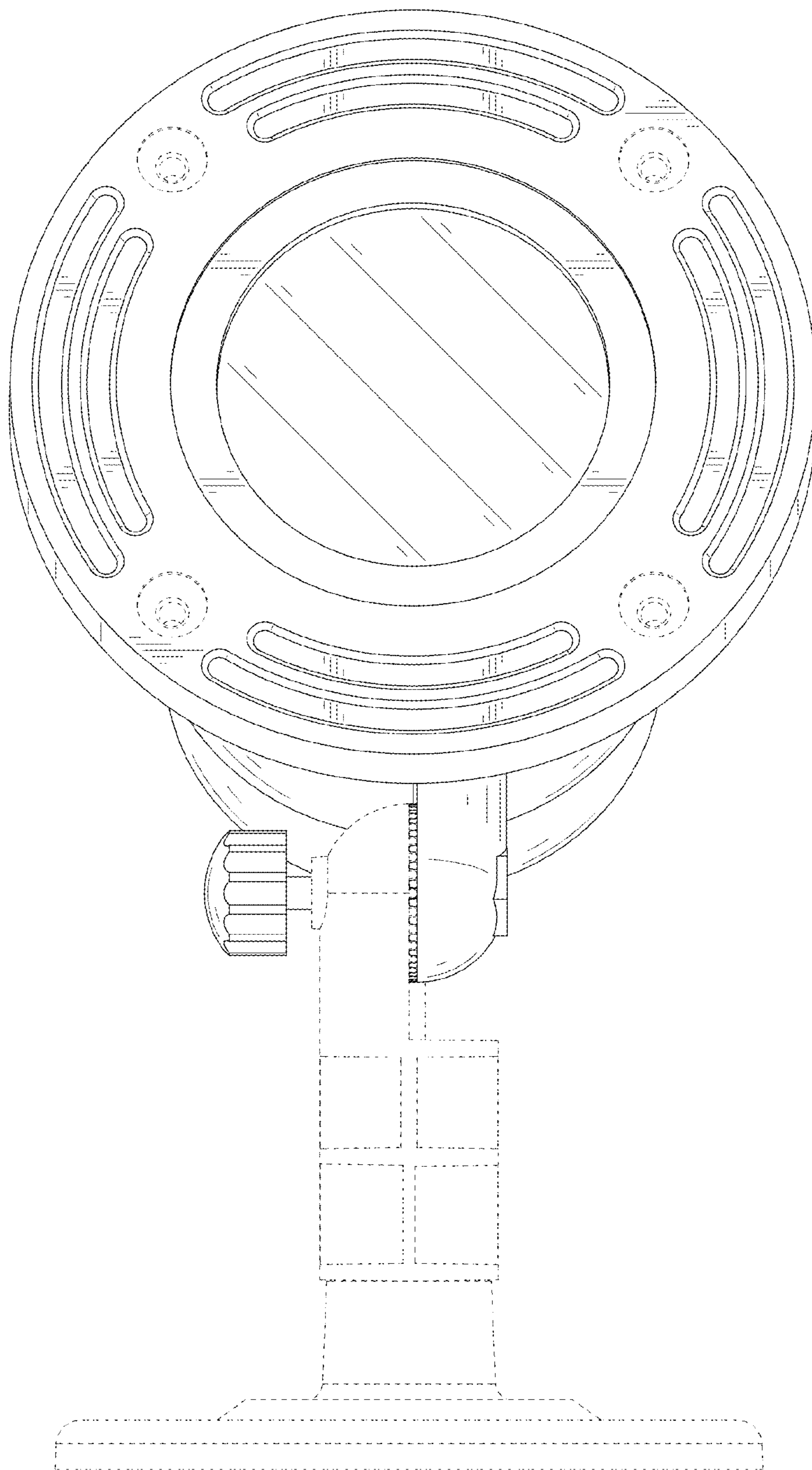


FIG. 3

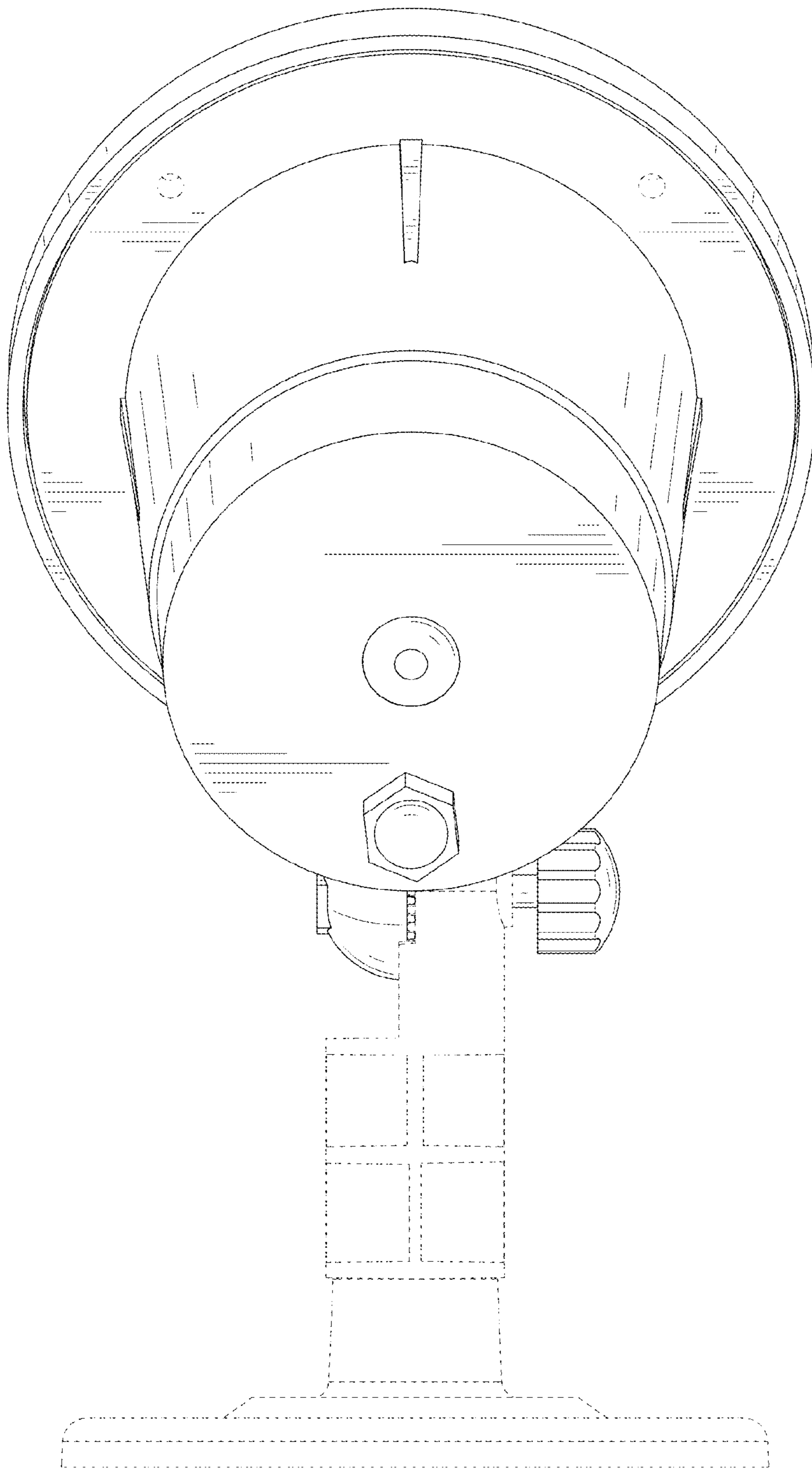


FIG. 4

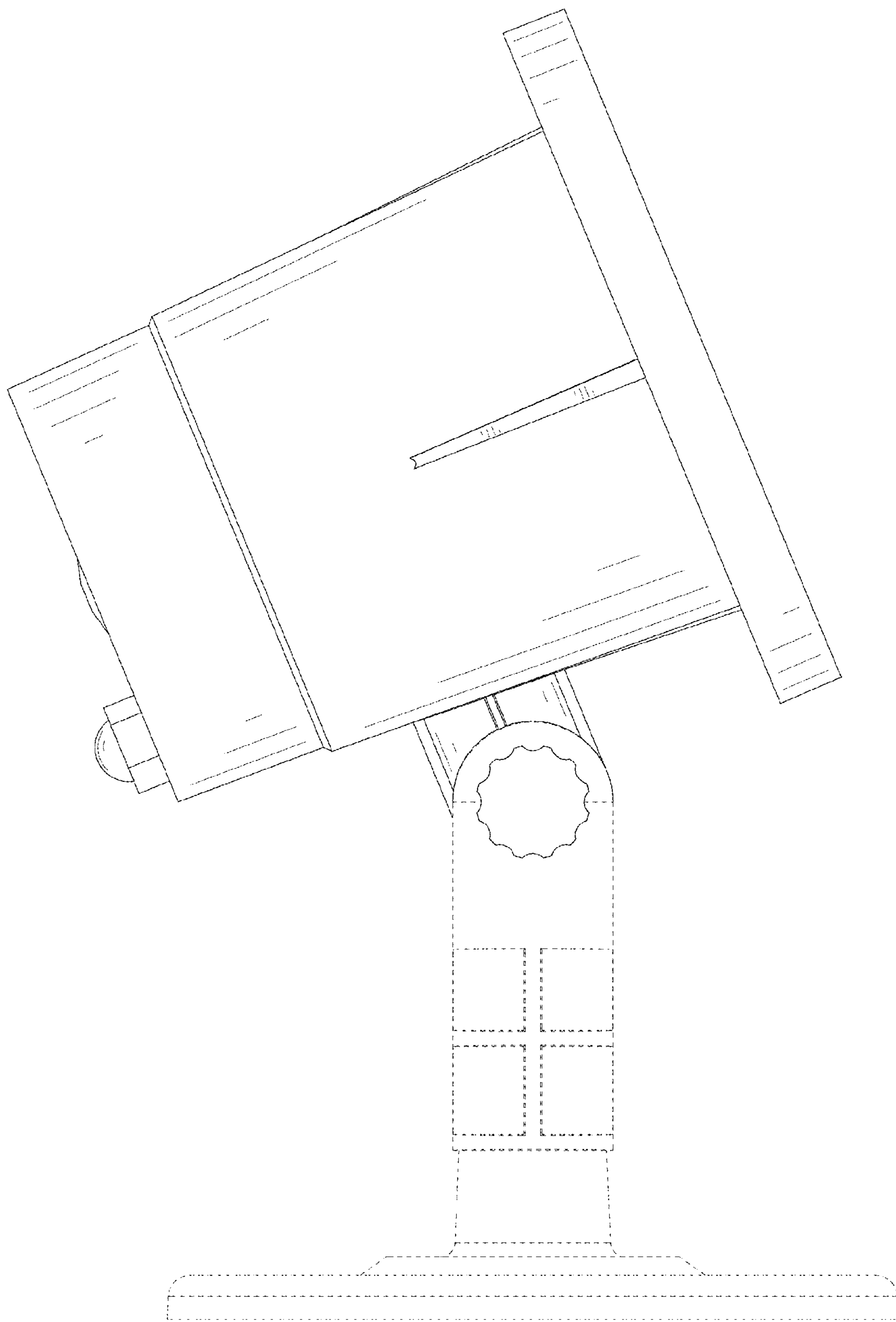


FIG. 5

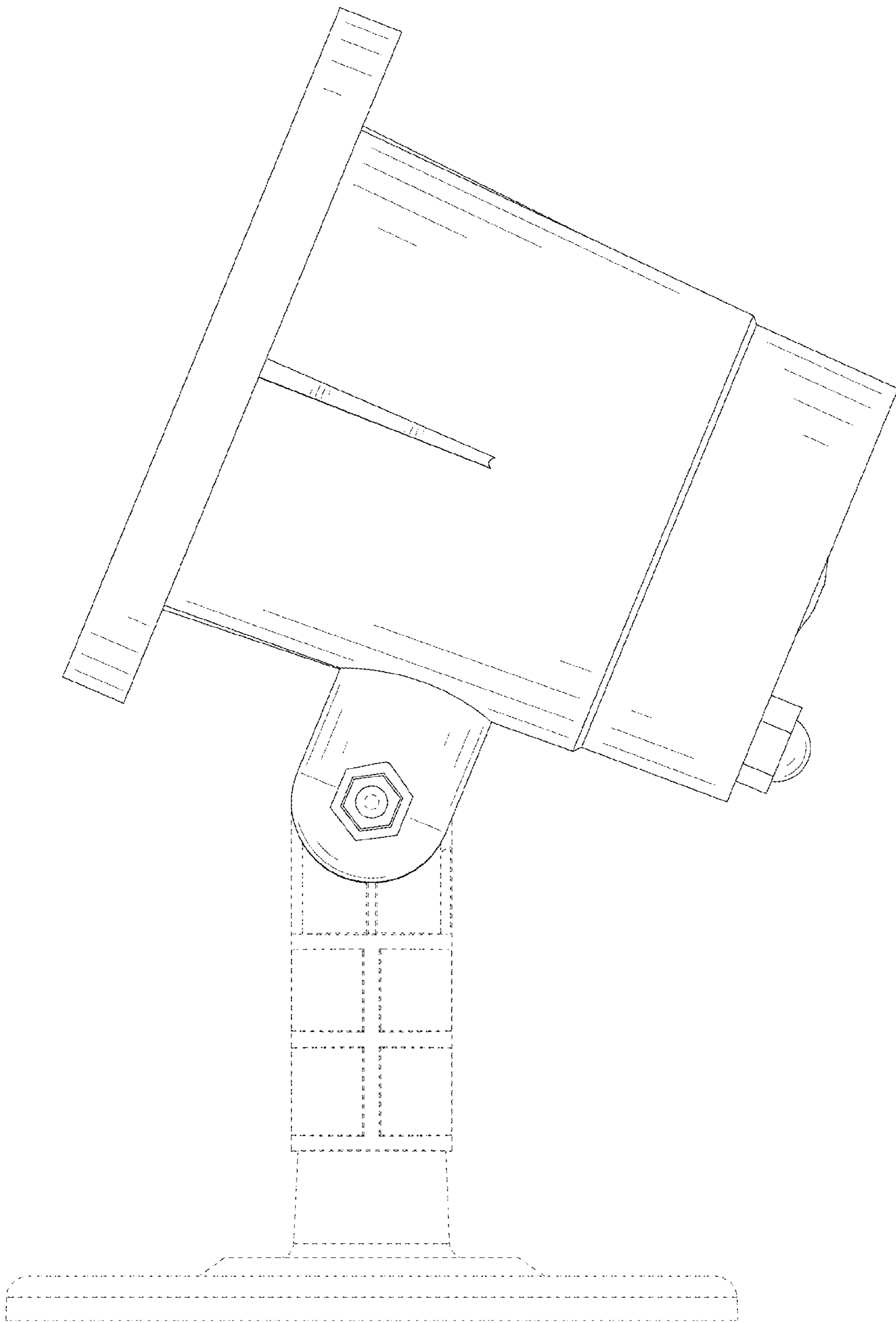


FIG. 6



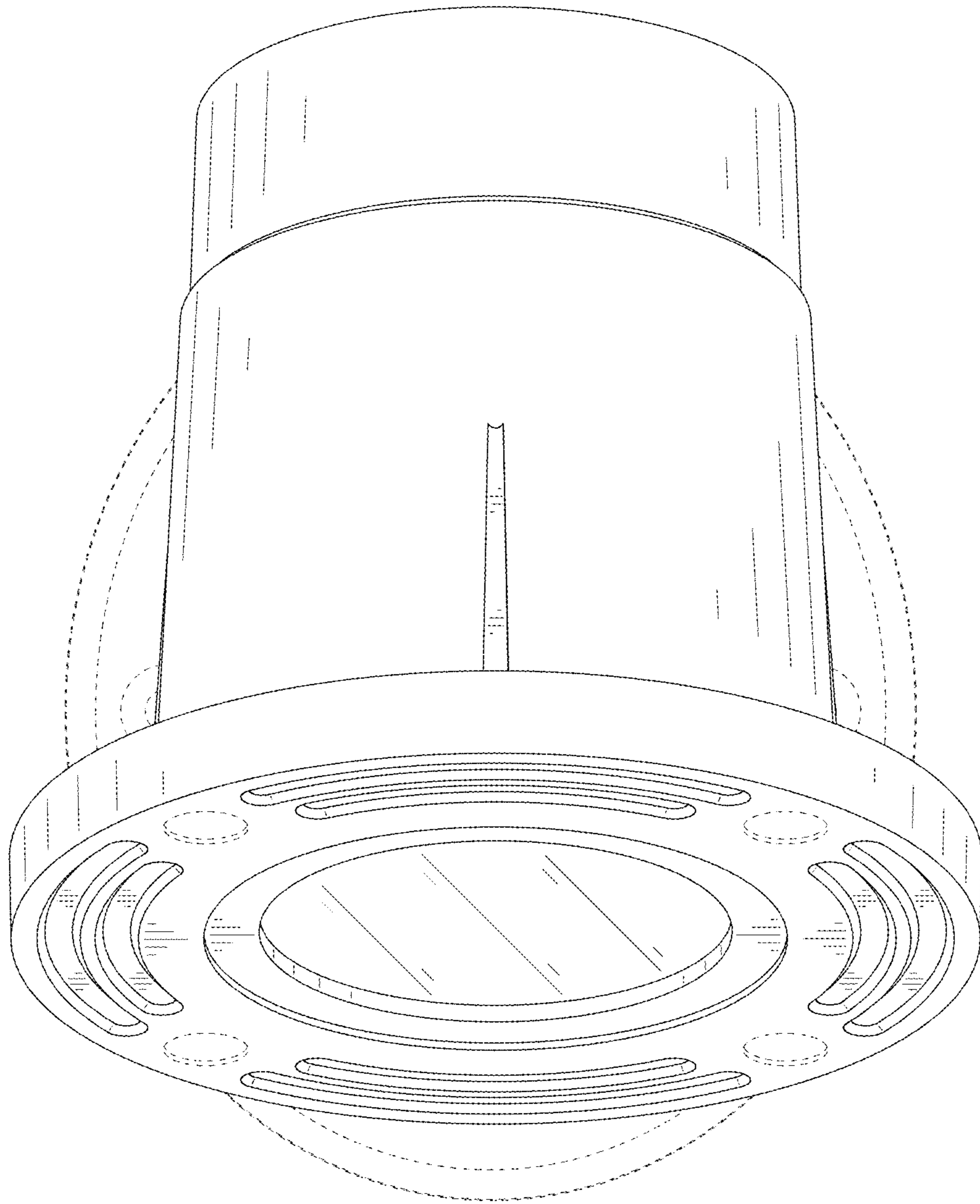


FIG. 7

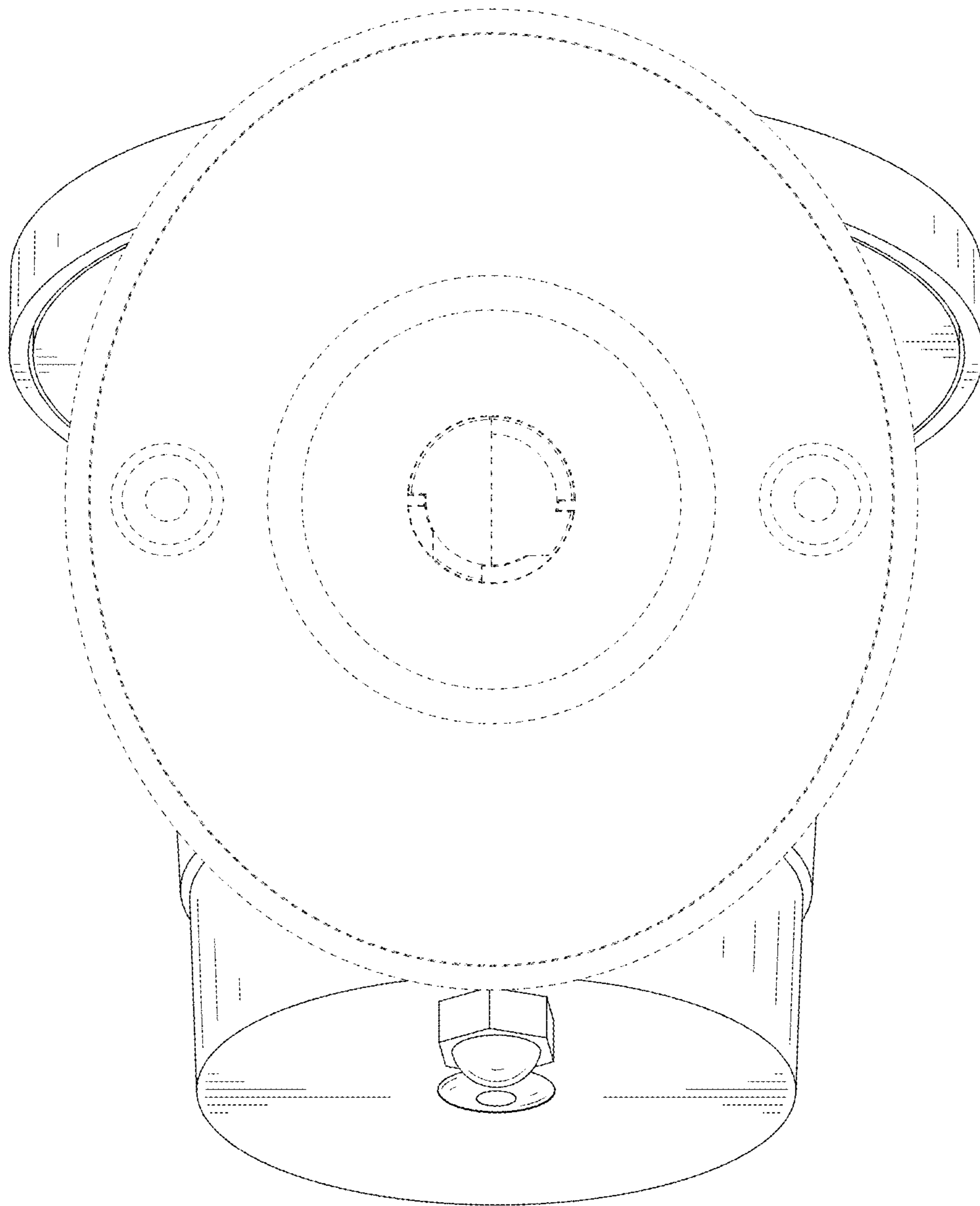


FIG. 8

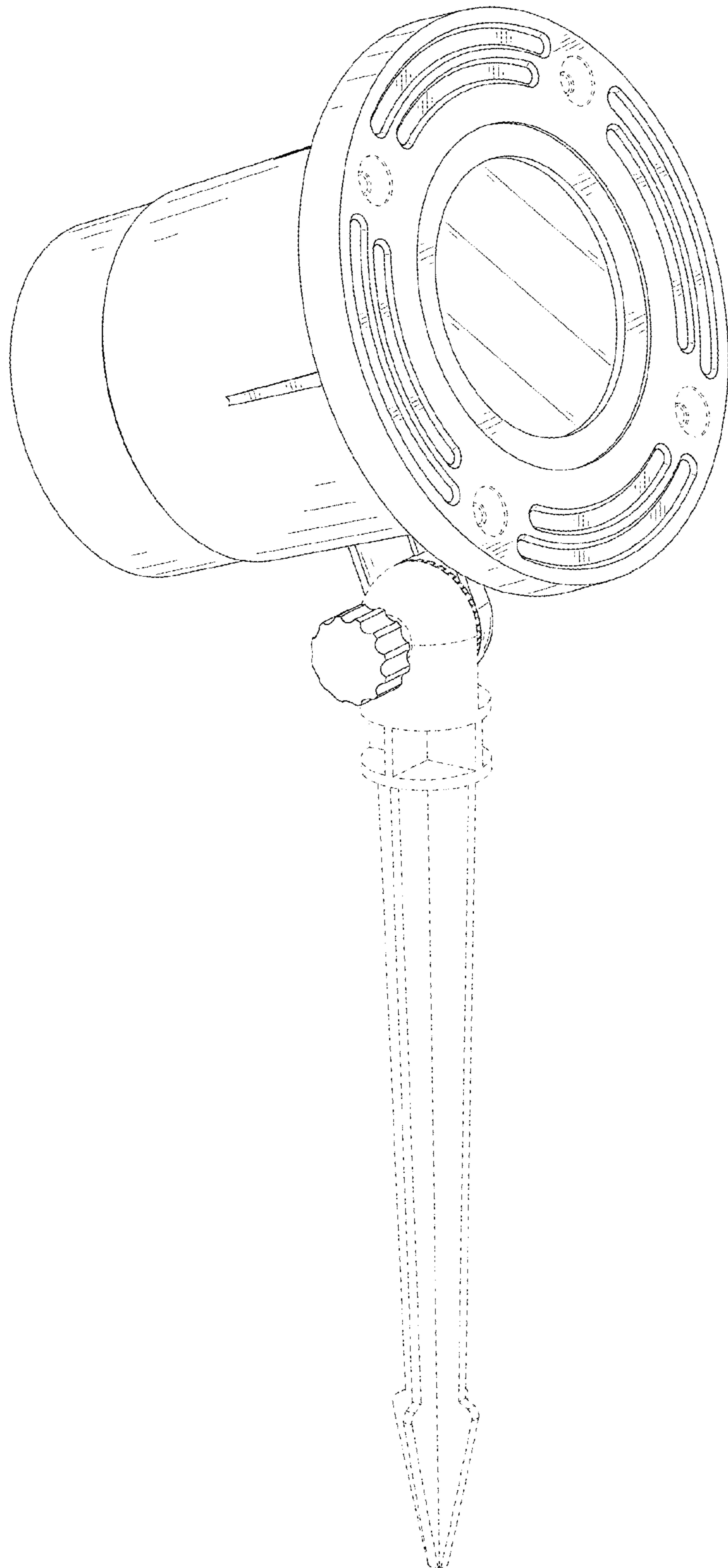


FIG. 9