



US00D950126S

(12) **United States Design Patent**
Zhong

(10) **Patent No.:** **US D950,126 S**

(45) **Date of Patent:** **** Apr. 26, 2022**

(54) **PROJECTION LAMP**

(71) Applicant: **Jinger Zhong**, Shenzhen (CN)

(72) Inventor: **Jinger Zhong**, Shenzhen (CN)

(**) Term: **15 Years**

(21) Appl. No.: **29/779,299**

(22) Filed: **Apr. 19, 2021**

(51) **LOC (13) Cl.** **26-05**

(52) **U.S. Cl.**

USPC **D26/63**; D26/61; D26/67

(58) **Field of Classification Search**

USPC ... D26/61, 63, 65, 92, 24, 1, 67, 71, 72, 85,
D26/87, 118

CPC F21S 8/00; F21S 8/003; F21S 8/043; F21S
10/00; F21V 14/00; F21V 14/02; F21V
15/01; F21V 21/00; F21V 21/14; F21V
21/30

See application file for complete search history.

(56) **References Cited**

U.S. PATENT DOCUMENTS

D443,713 S *	6/2001	Benensohn	D26/72
D457,677 S *	5/2002	Landefeld	D26/67
D493,243 S *	7/2004	Burnet	D26/63
D729,965 S *	5/2015	Recker	D26/63
D733,345 S *	6/2015	Recker	D26/63
D779,098 S *	2/2017	Tsai	D26/63
D791,381 S *	7/2017	Chang	D26/63
D806,298 S *	12/2017	Recker	D26/63
D827,175 S *	8/2018	Yang	D26/63
D827,176 S *	8/2018	Mirchandani	D26/67
10,072,824 B1 *	9/2018	Xiong	F21V 21/0824
D837,430 S *	1/2019	Yang	D26/63
D838,890 S *	1/2019	Xiong	D26/63
D841,210 S *	2/2019	Ye	A63J 5/025
				D26/63
D846,784 S *	4/2019	Luo	D26/63

D851,313 S *	6/2019	Zheng	F21V 29/73
				D26/63
D857,270 S *	8/2019	Recker	D26/63
D890,974 S *	7/2020	Huang	D26/63
D891,682 S *	7/2020	Wei	
D914,947 S *	3/2021	Zheng	D26/63
D914,957 S *	3/2021	Zeng	
D915,652 S *	4/2021	Li	D26/63
D919,153 S *	5/2021	Huang	D26/63
2017/0082254 A1 *	3/2017	Zhang	F21V 29/73
2017/0219176 A1 *	8/2017	Chang	A63J 5/025
2021/0404617 A1 *	12/2021	Zheng	F21V 14/08

OTHER PUBLICATIONS

1Byone Halloween Light Projector, Aug. 10, 2018, Amazon.ca, site visited Mar. 2, 2022, url: <https://www.amazon.ca/dp/B07GBV6BXB/> (Year: 2018).*

(Continued)

Primary Examiner — T Chase Nelson

Assistant Examiner — Rachel Wolfe

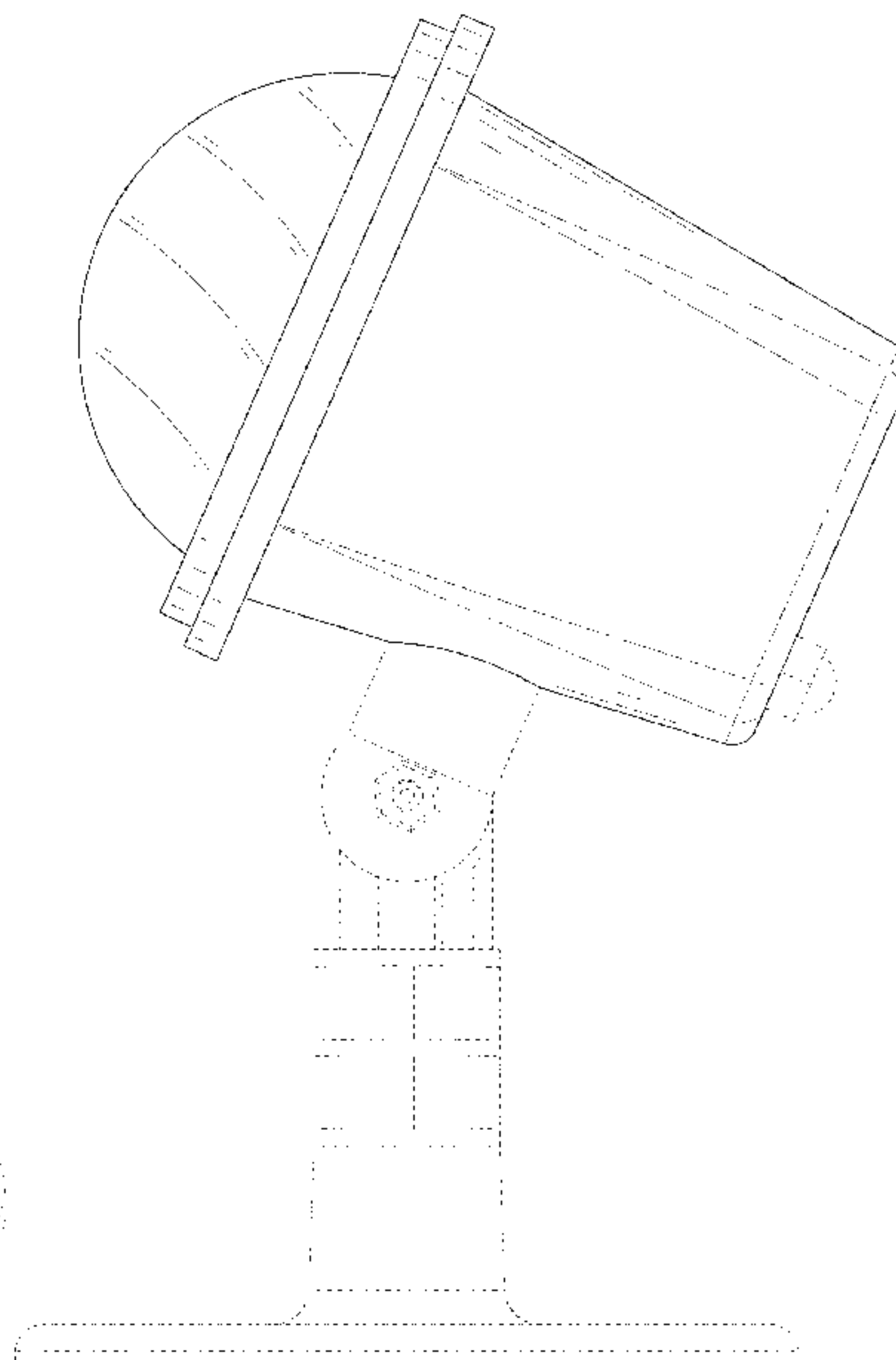
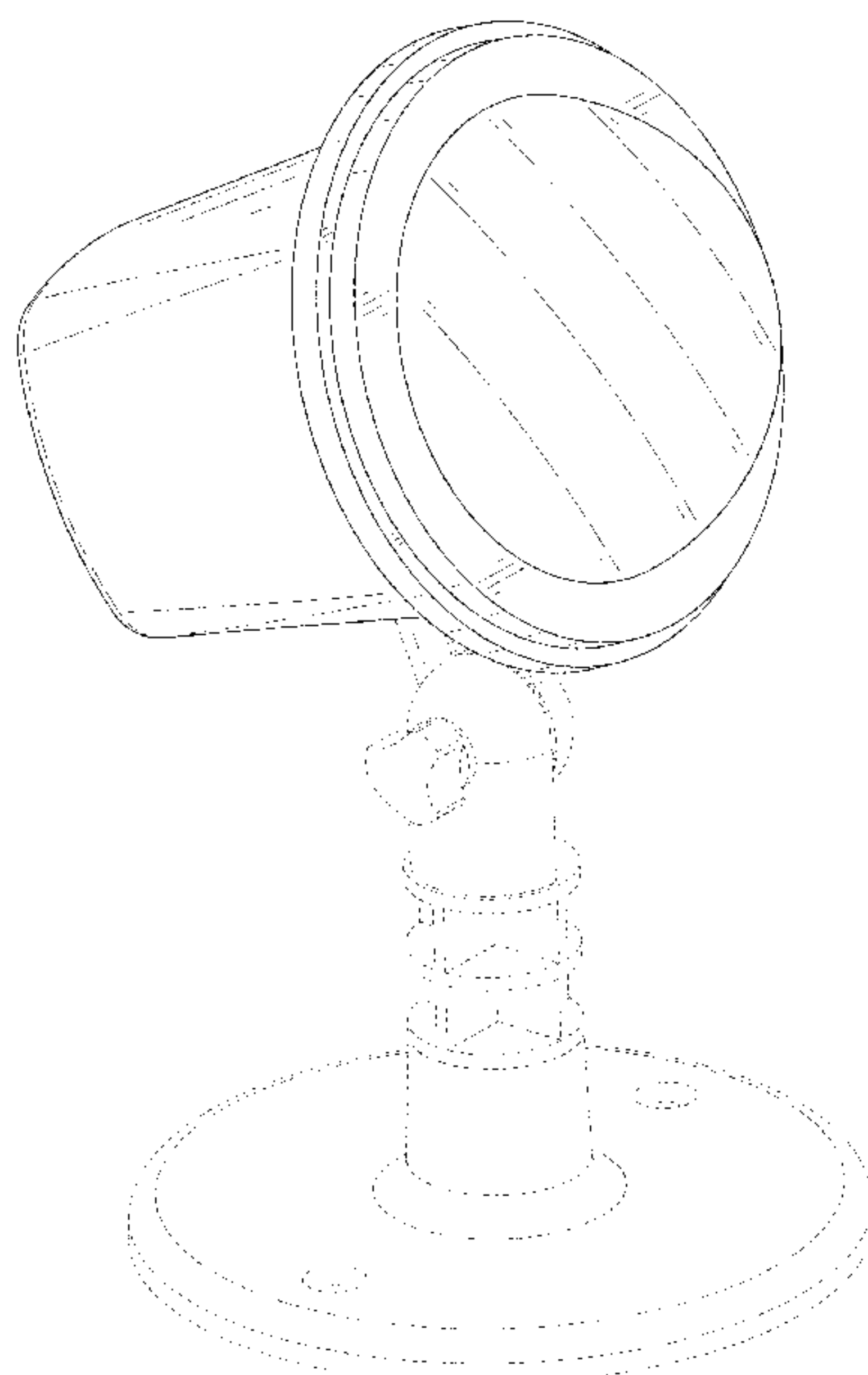
(57) **CLAIM**

The ornamental design for a projection lamp, as shown and described.

DESCRIPTION

FIG. 1 is a perspective view of a projection lamp showing my new design;
FIG. 2 is another perspective view thereof;
FIG. 3 is a front elevational view thereof;
FIG. 4 is a rear elevational view thereof;
FIG. 5 is a left side elevational view thereof;
FIG. 6 is a right side elevational view thereof;
FIG. 7 is a top plan view thereof; and,
FIG. 8 is a bottom plan view thereof.
The broken lines in the drawings depict portions of the projection lamp that form no part of the claimed design.

1 Claim, 8 Drawing Sheets



(56)

References Cited

OTHER PUBLICATIONS

ARGIGU Star Projector, Night Light Projector, May 12, 2020, Amazon.com, site visited Mar. 2, 2022, url: <https://www.amazon.com/dp/B088K2QVX9> (Year: 2020).*

Gaiatop Christmas Projector Lights, Jun. 3, 2021, Amazon.com, site visited Mar. 2, 2022, url: <https://www.amazon.com/dp/B096KPHZBT> (Year: 2021).*

* cited by examiner

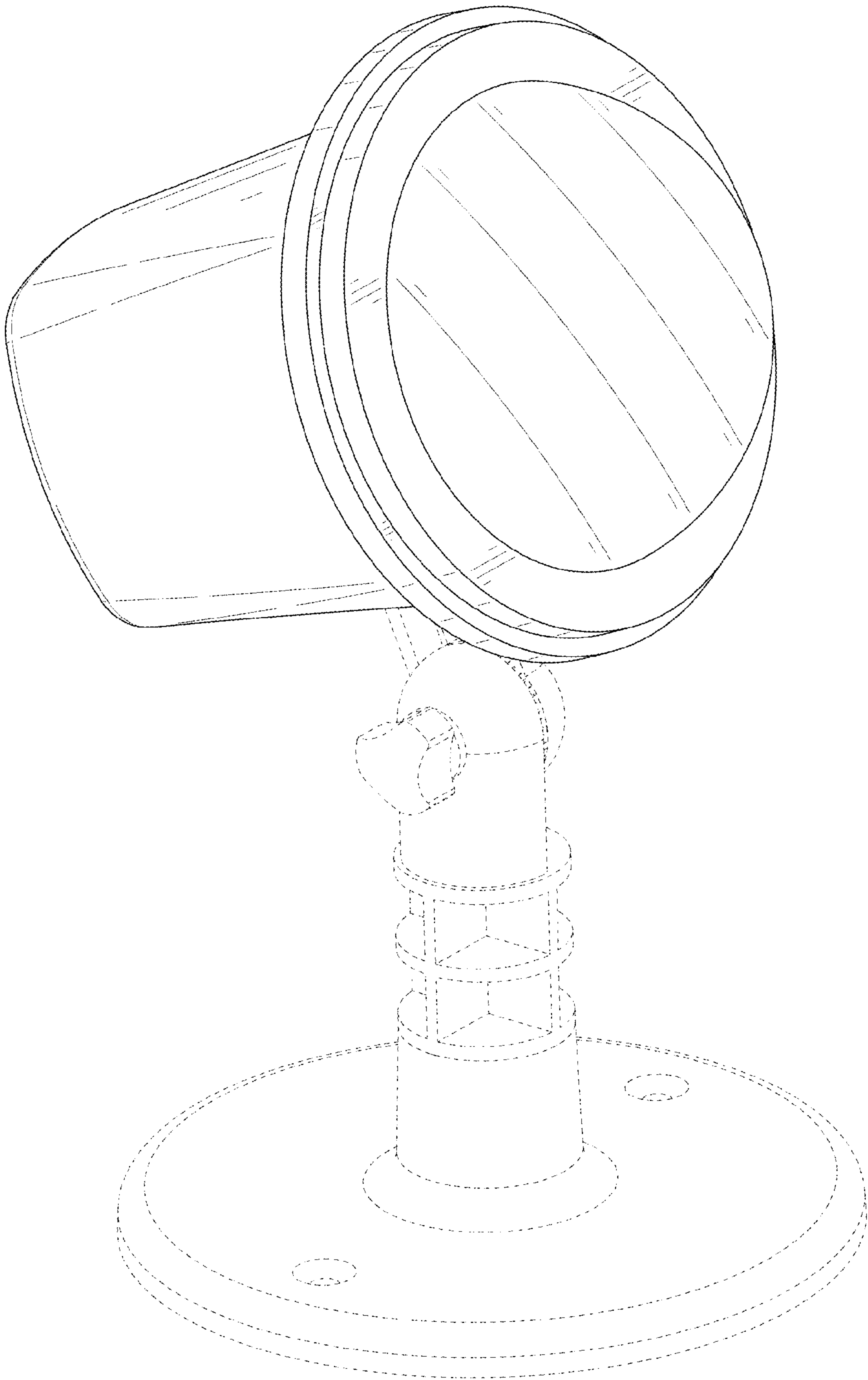


FIG. 1

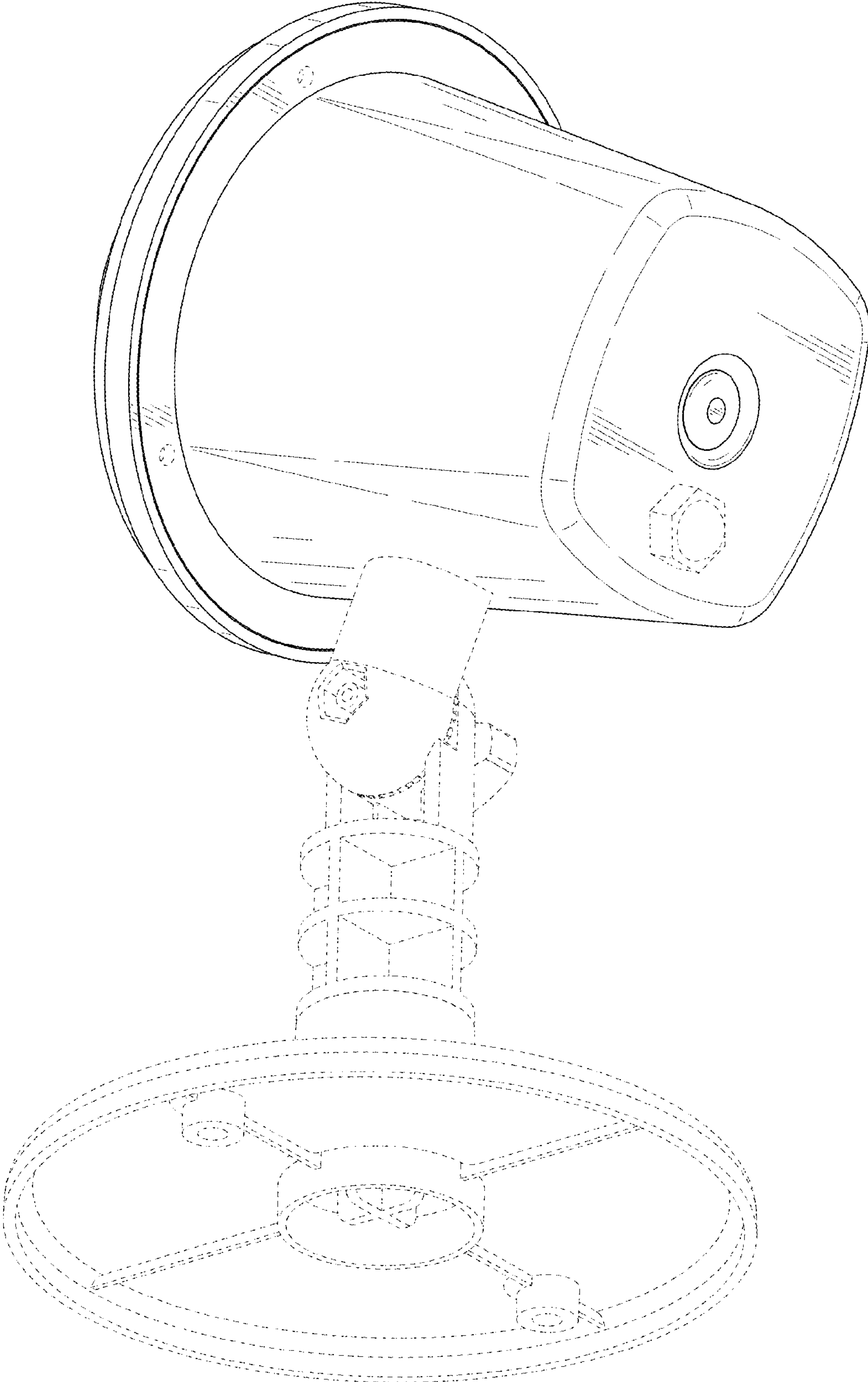


FIG. 2

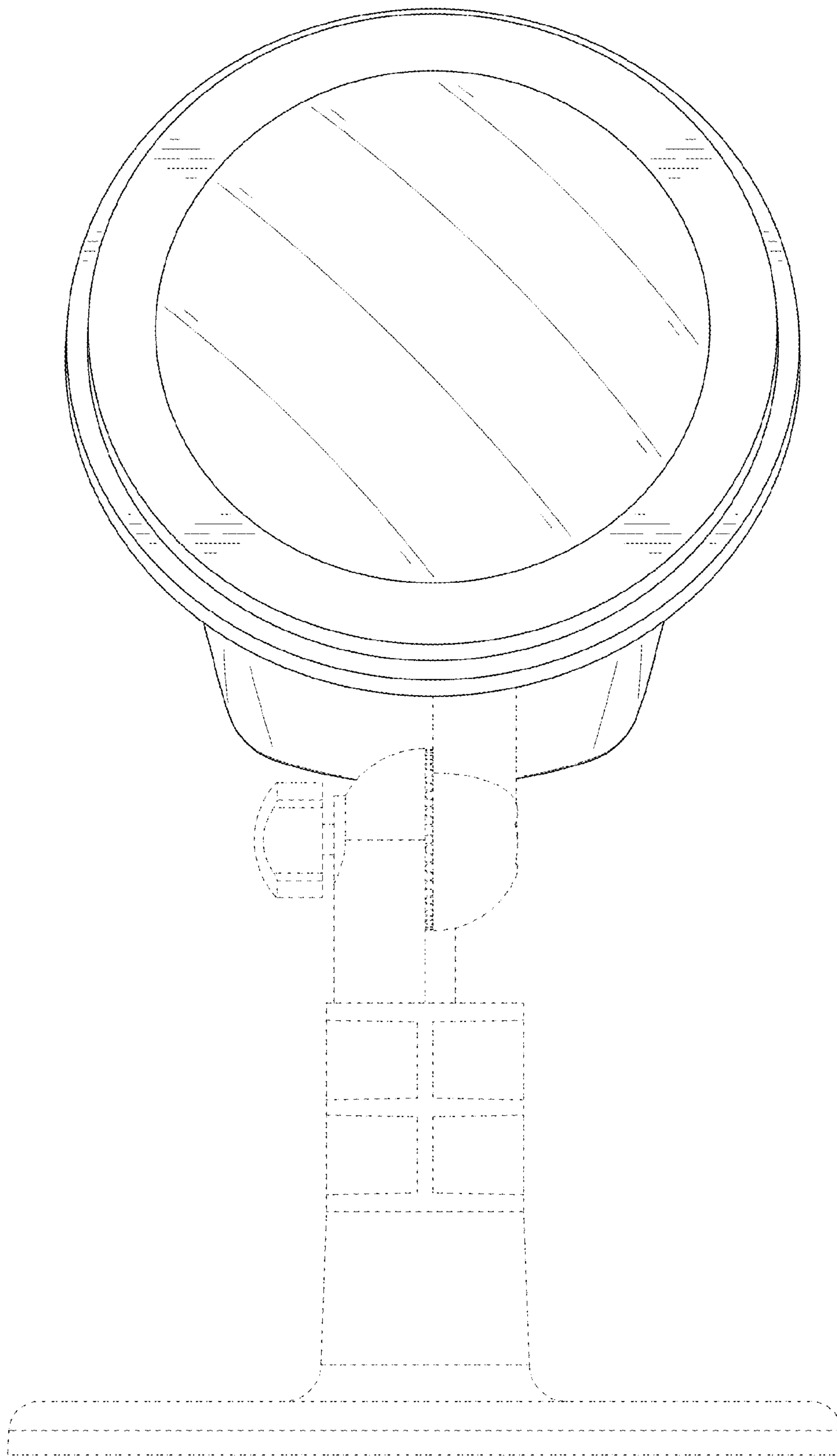


FIG. 3

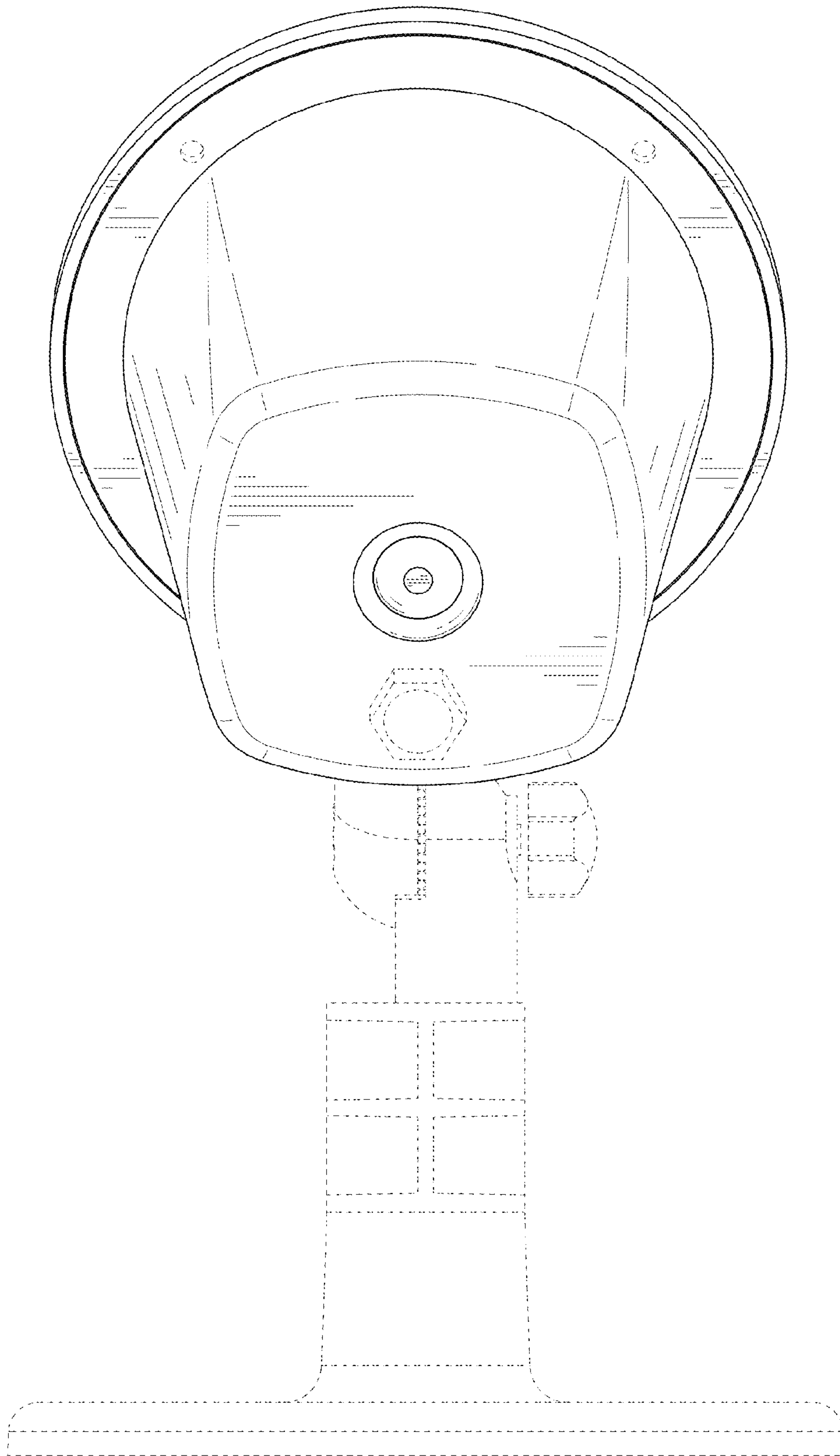


FIG. 4

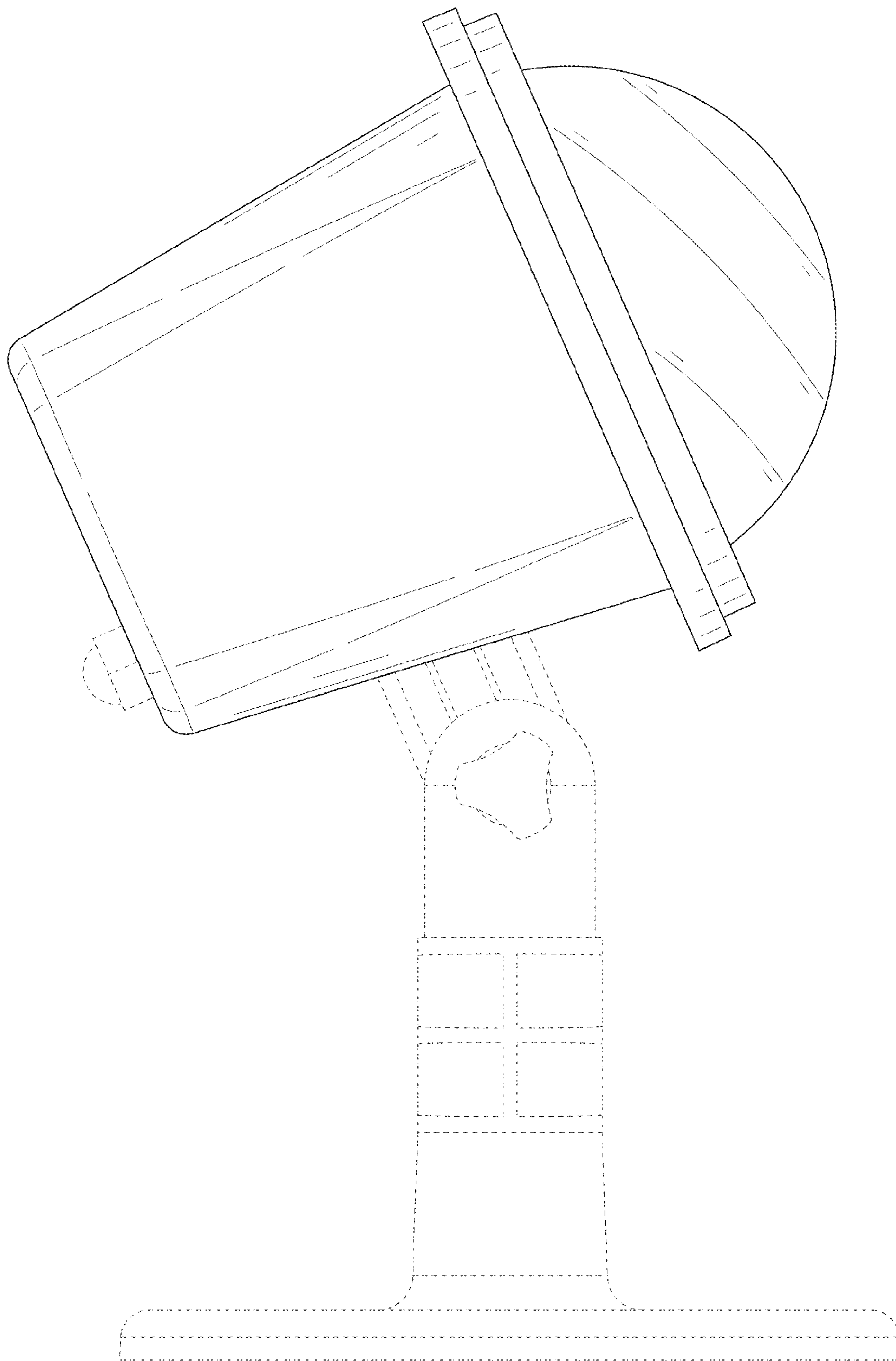


FIG. 5

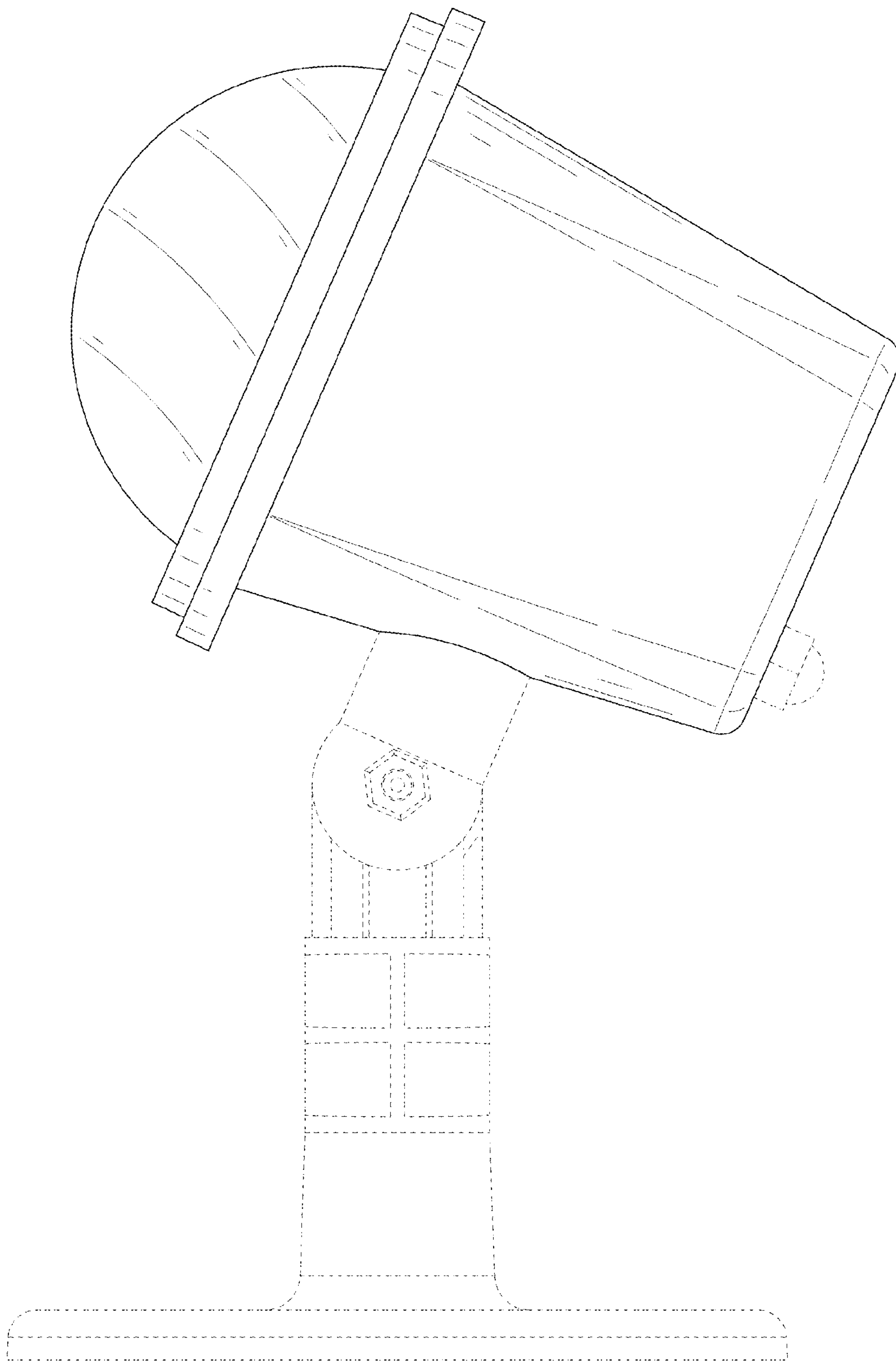


FIG. 6

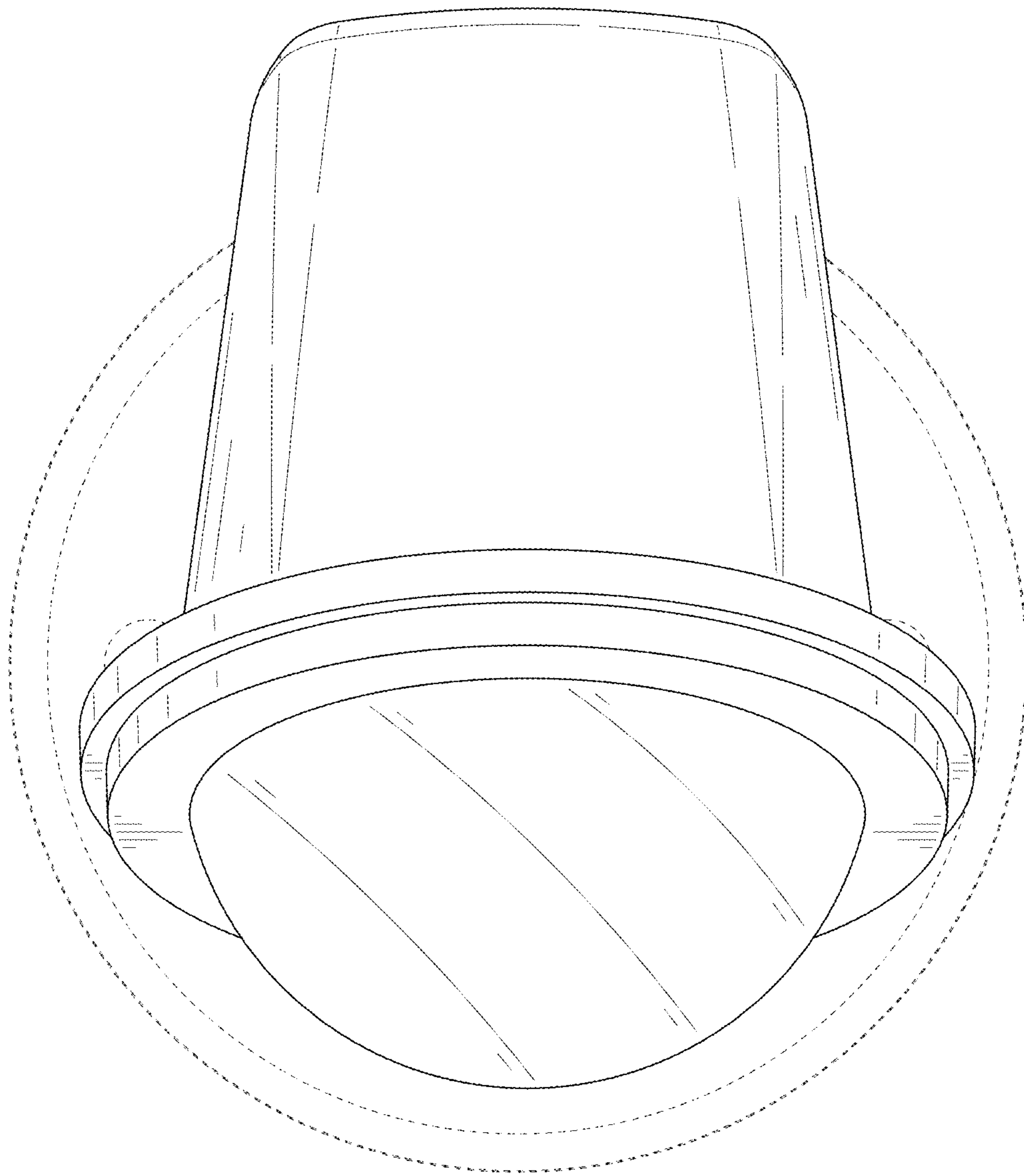


FIG. 7

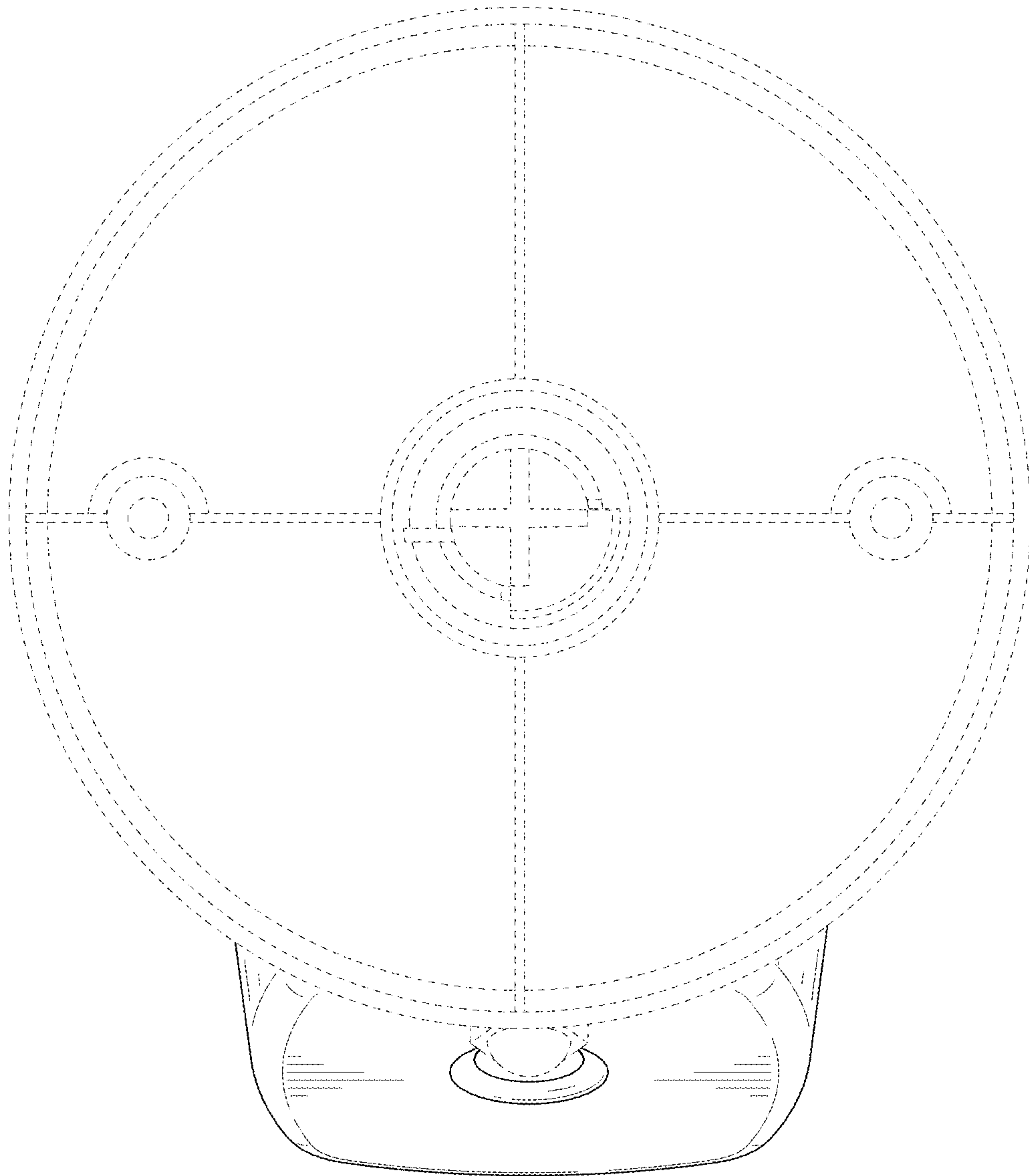


FIG. 8