



US00D950124S

(12) **United States Design Patent**
Goossens et al.

(10) **Patent No.:** **US D950,124 S**

(45) **Date of Patent:** **** Apr. 26, 2022**

(54) **LIGHT FIXTURE HOUSING**

D903,917 S * 12/2020 Pietschmann D26/63
D911,570 S * 2/2021 Zheng D26/63
D929,004 S * 8/2021 Qiu D26/37

(71) Applicant: **Electronic Theatre Controls, Inc.**,
Middleton, WI (US)

FOREIGN PATENT DOCUMENTS

(72) Inventors: **Joe Goossens**, Middleton, WI (US);
Jon Rasche, Middleton, WI (US);
Charles Xu, Middleton, WI (US); **Zack Zlevor**, Middleton, WI (US)

CN 201930727877.4 * 7/2020

OTHER PUBLICATIONS

(73) Assignee: **Electronic Theatre Controls, Inc.**,
Middleton, WI (US)

Amazon, "Kekeou LED Flood Light", first available Dec. 17, 2020.
<https://www.amazon.com/dp/B08QV33CCN/> (Year: 2020).*

(Continued)

(**) Term: **15 Years**

Primary Examiner — Lauren D McVey

Assistant Examiner — Justin A Johnson

(21) Appl. No.: **29/720,713**

(74) *Attorney, Agent, or Firm* — Michael Best &
Friedrich LLP

(22) Filed: **Jan. 15, 2020**

(51) **LOC (13) Cl.** **26-05**

(52) **U.S. Cl.**
USPC **D26/63**

(58) **Field of Classification Search**
USPC ... D26/1, 24, 37, 46, 48, 50, 61, 62, 63, 64,
D26/93

CPC F21S 2/00; F21S 8/00; F21H 1/00; F21H
1/02; F21H 1/04; F21H 5/00; F21L 2/00

See application file for complete search history.

(56) **References Cited**

U.S. PATENT DOCUMENTS

D650,504 S * 12/2011 Kim D26/63
D695,435 S * 12/2013 Pedersen D26/63
D702,387 S * 4/2014 Pedersen D26/63
D785,219 S * 4/2017 Swai D26/63
D827,174 S * 8/2018 Yu D26/63
D860,499 S * 9/2019 Graham D26/74
D880,742 S * 4/2020 Li D26/61
D886,336 S * 6/2020 Wang D26/24
D898,970 S * 10/2020 Chen D26/63
D899,657 S * 10/2020 You D26/63

(57) **CLAIM**

We claim the ornamental design for a light fixture housing,
as shown and described.

DESCRIPTION

FIG. 1 is a front perspective view of a light fixture housing
showing my new design.

FIG. 2 is a rear perspective view of the design shown in FIG.
1.

FIG. 3 is a right side view of the design shown in FIG. 1.

FIG. 4 is a left side view of the design shown in FIG. 1.

FIG. 5 is a front view of the design shown in FIG. 1.

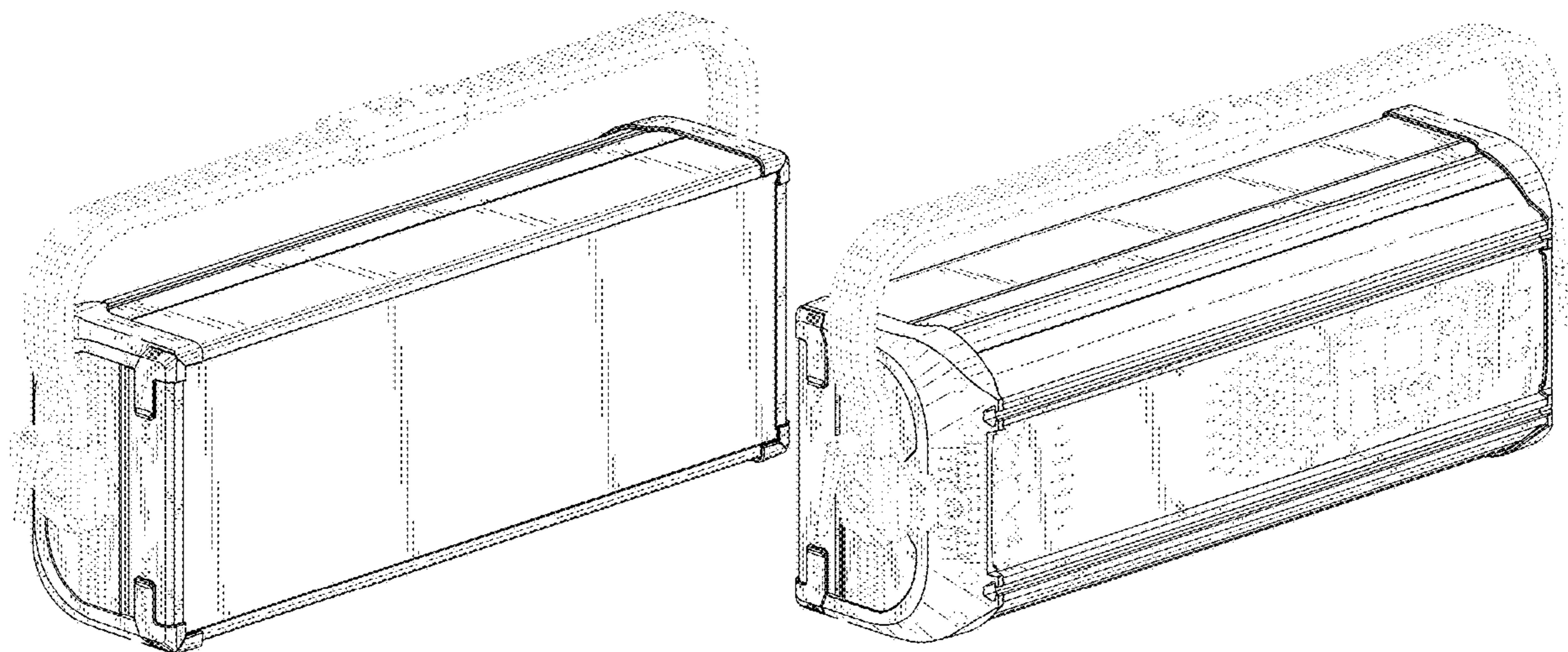
FIG. 6 is a rear view of the design shown in FIG. 1.

FIG. 7 is a top view of the design shown in FIG. 1; and,

FIG. 8 is a bottom view of the design shown in FIG. 1.

The broken lines immediately adjacent to the shaded areas
depict the bounds of the claimed design, while all other
broken lines are directed to environment. The broken lines
form no part of the claimed design.

1 Claim, 7 Drawing Sheets



(56)

References Cited

OTHER PUBLICATIONS

Amazon, "SUPGLAZ 100W Rechargeable LED Work Light", first available Sep. 22, 2020. (<https://www.amazon.com/Rechargeable-Waterproof-Portable-Floodlight-Workshop/dp/B08JQPPV86/>) (Year: 2020).*

Amazon, "Lume Cube Bicolor Mountable LED Light", first available Jun. 2, 2020. (<https://www.amazon.com/Panel-Bicolor-Light-Content-Creation/dp/B089KRKMML/>) (Year: 2020).*

Instagram, "electronictheatrecontrols", first available Jan. 15, 2020. (https://www.instagram.com/p/B7V_pQMpUVU/) (Year: 2020).*

* cited by examiner

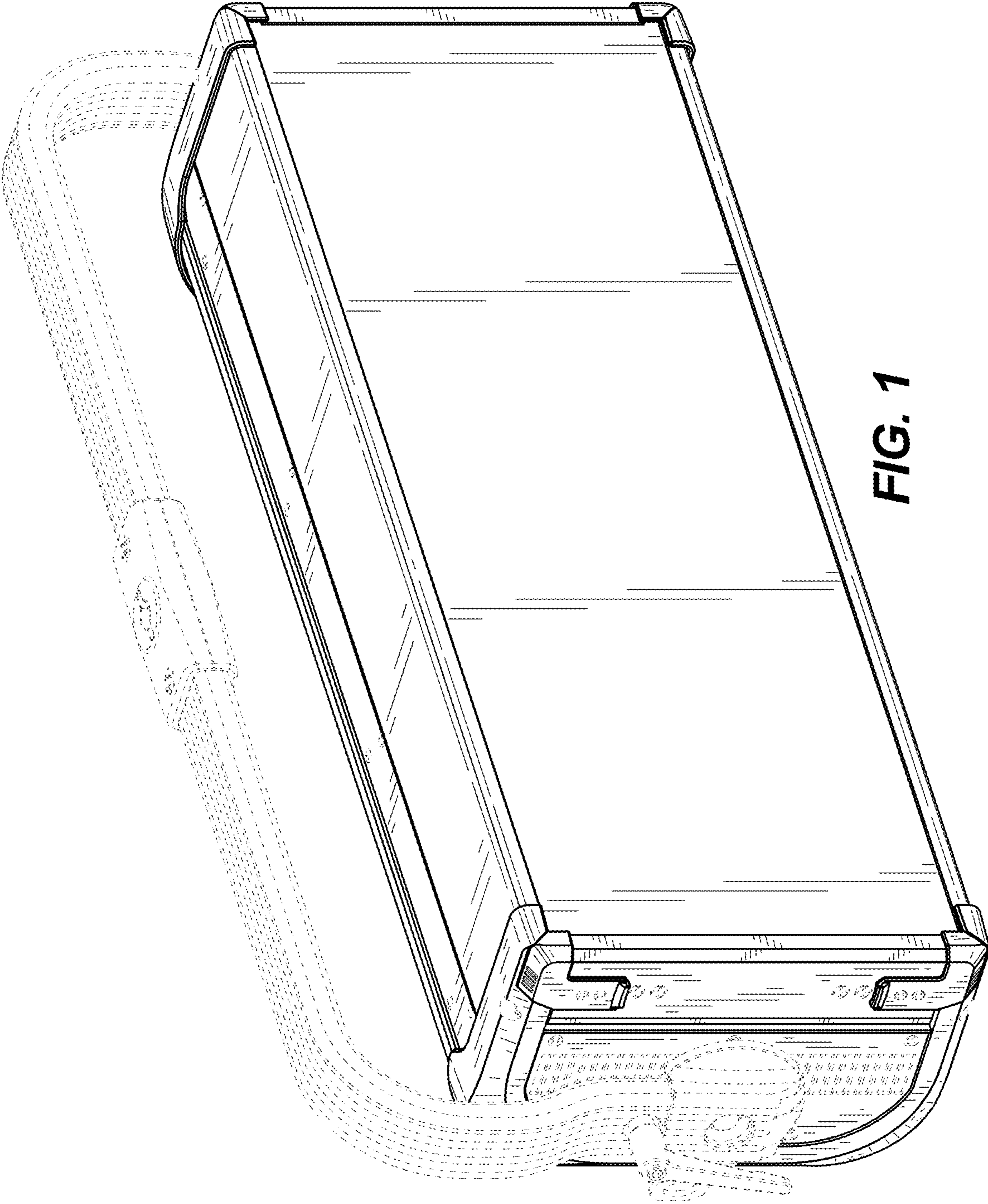


FIG. 1

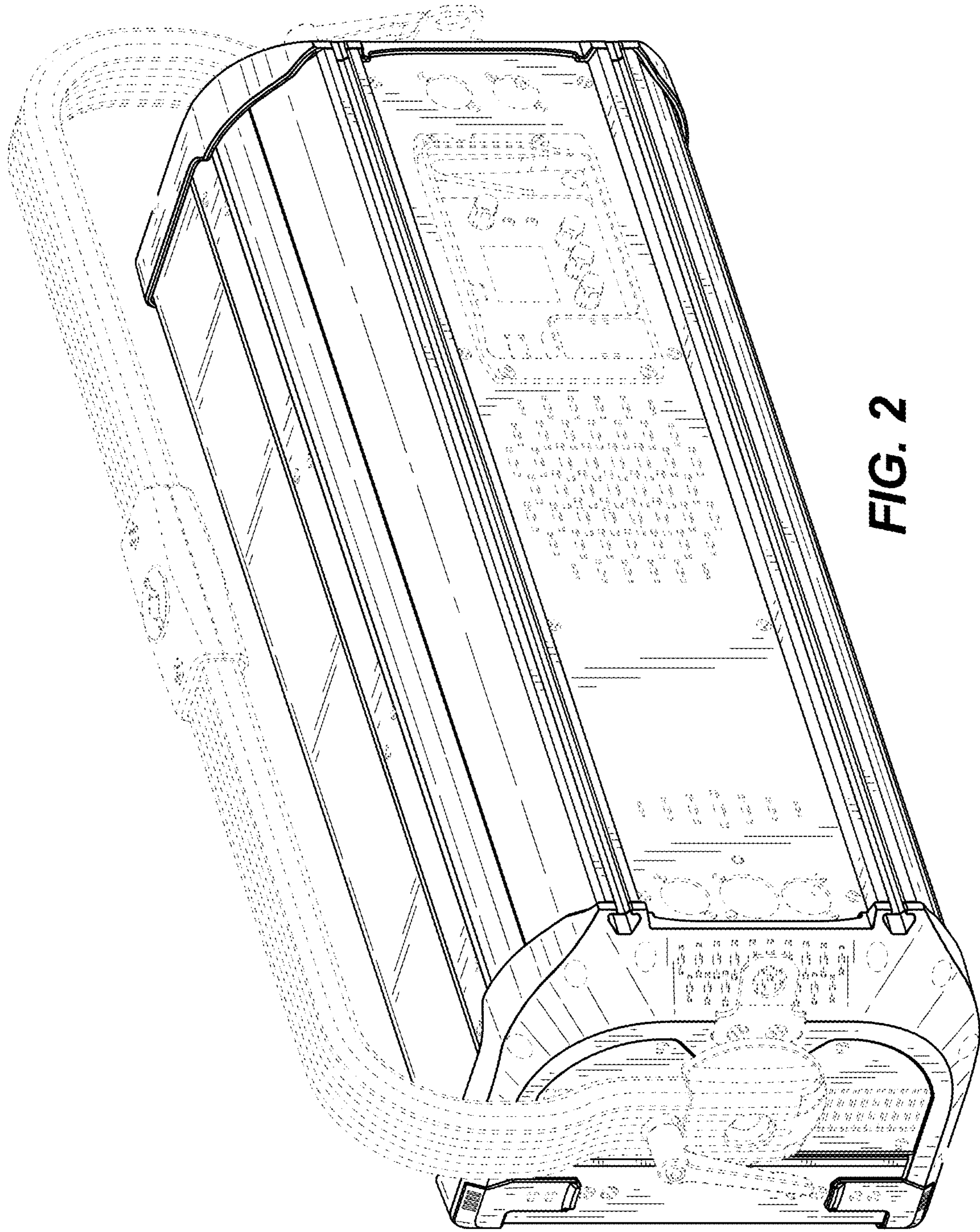


FIG. 2

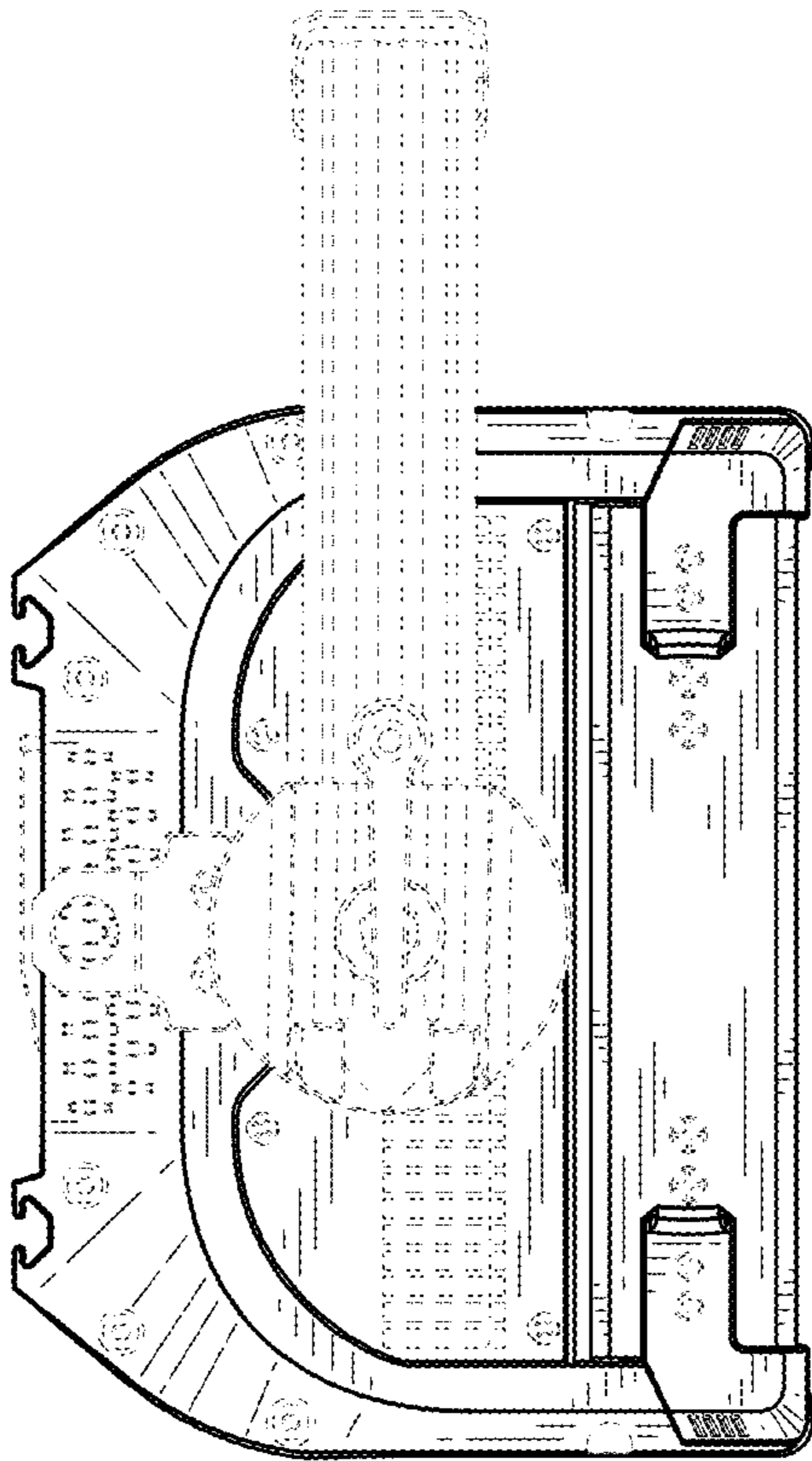


FIG. 3

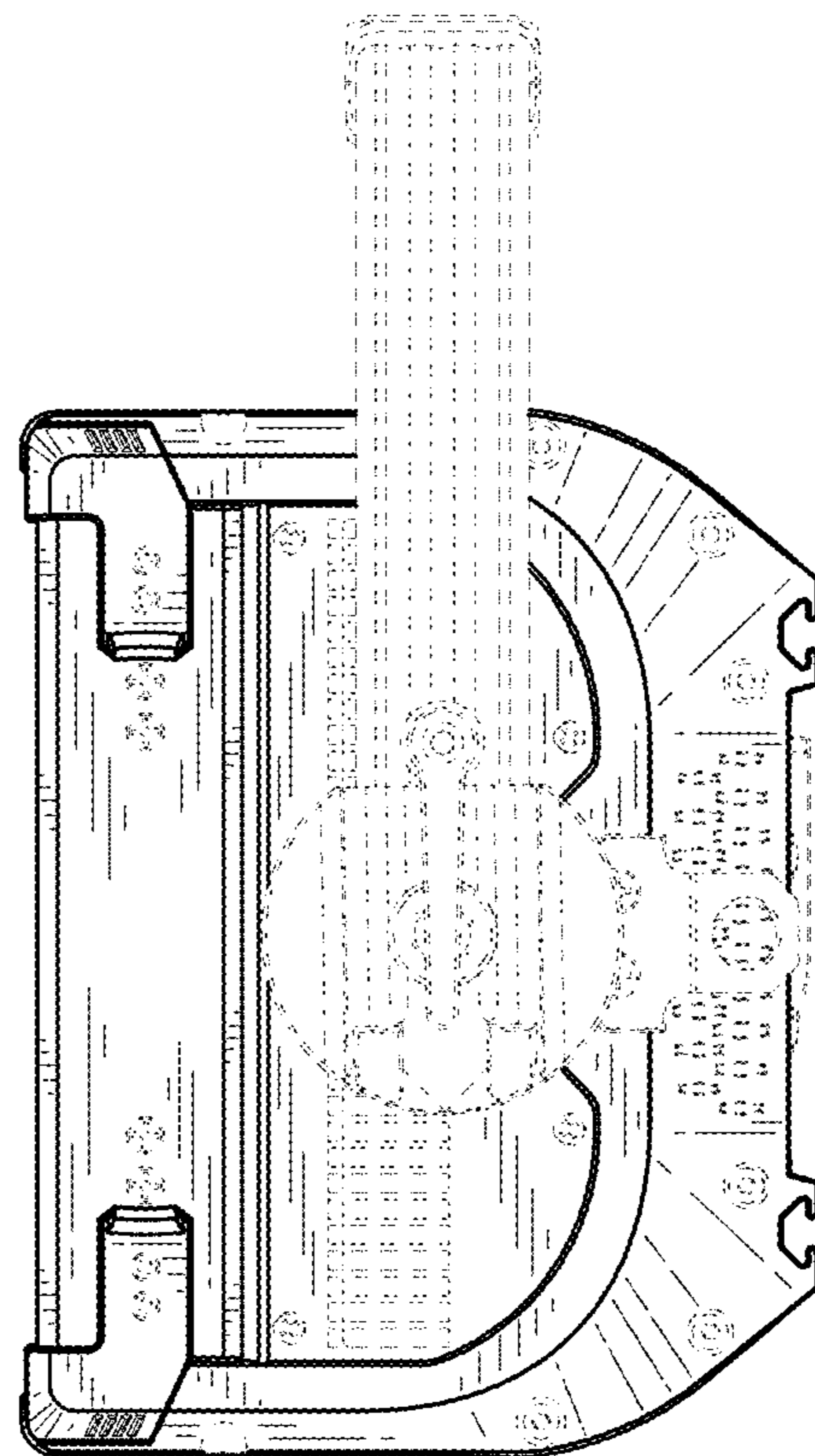


FIG. 4

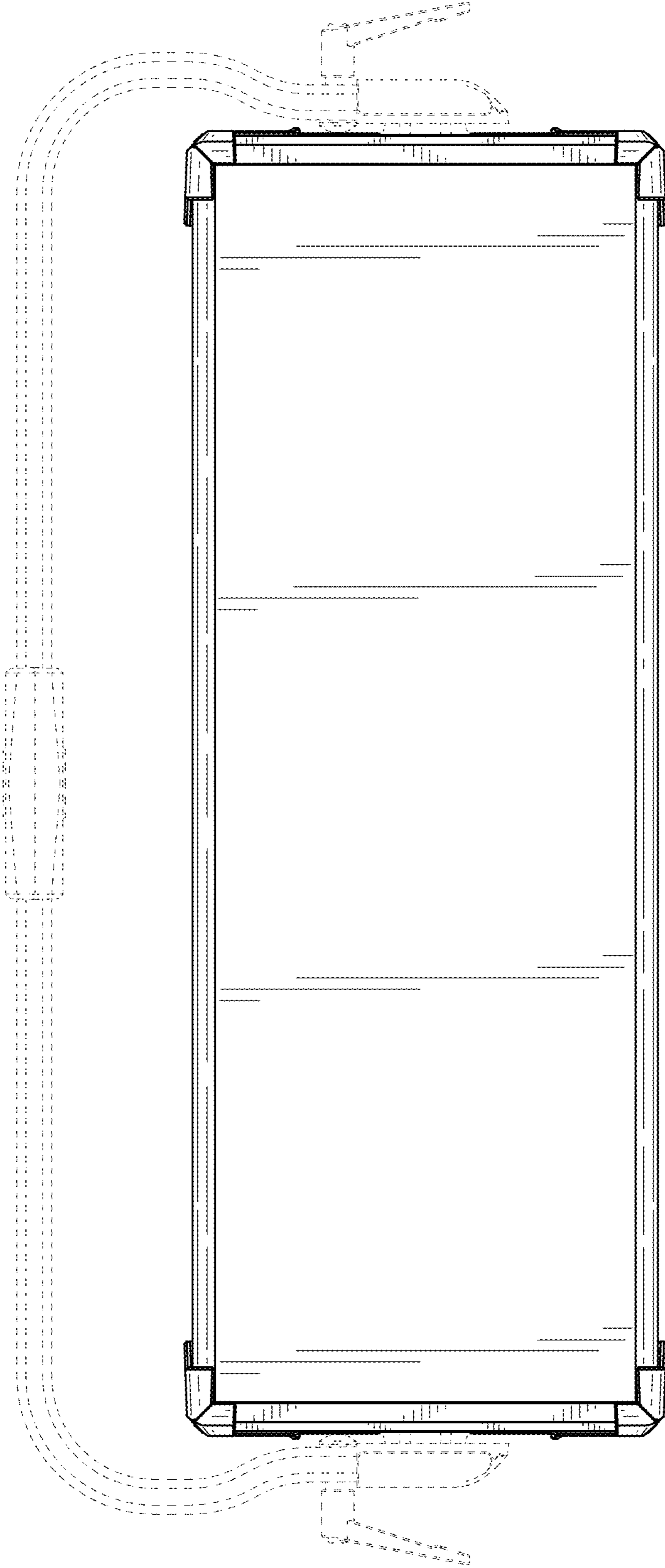


FIG. 5

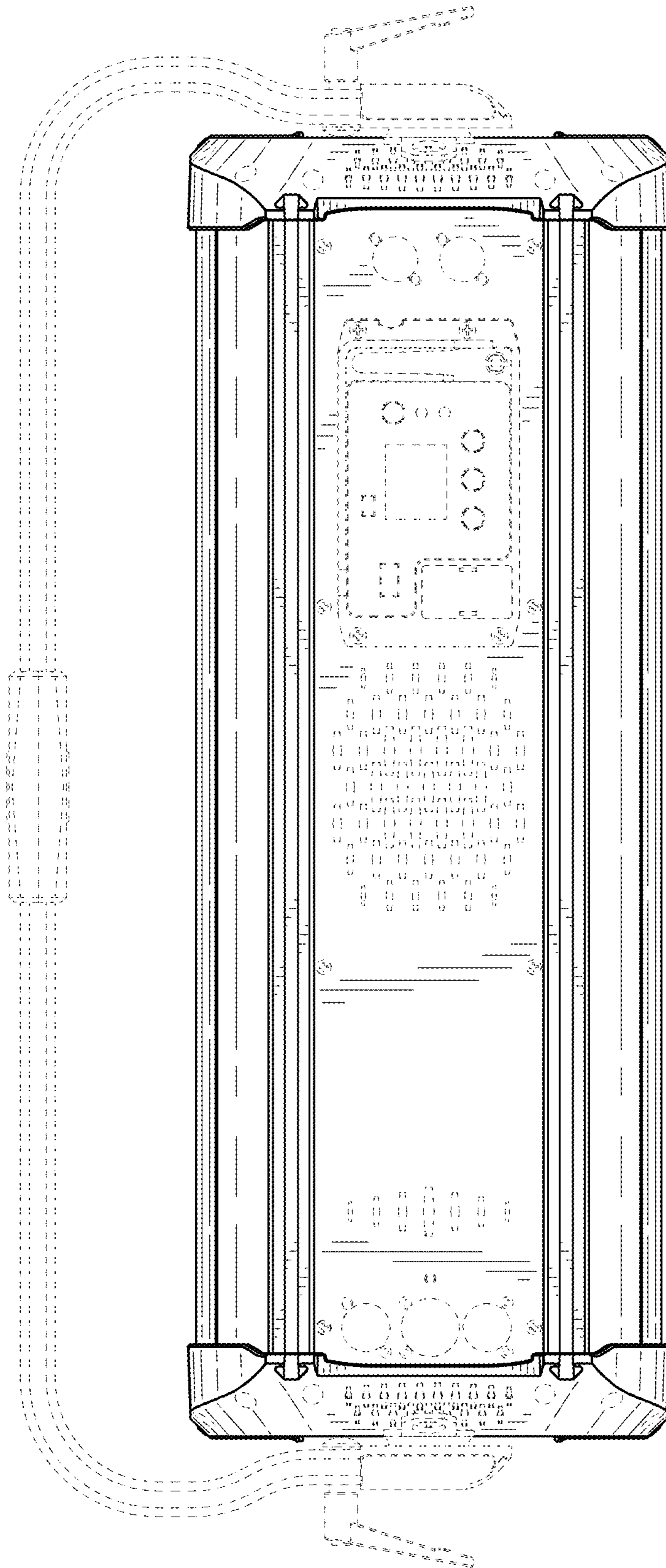


FIG. 6

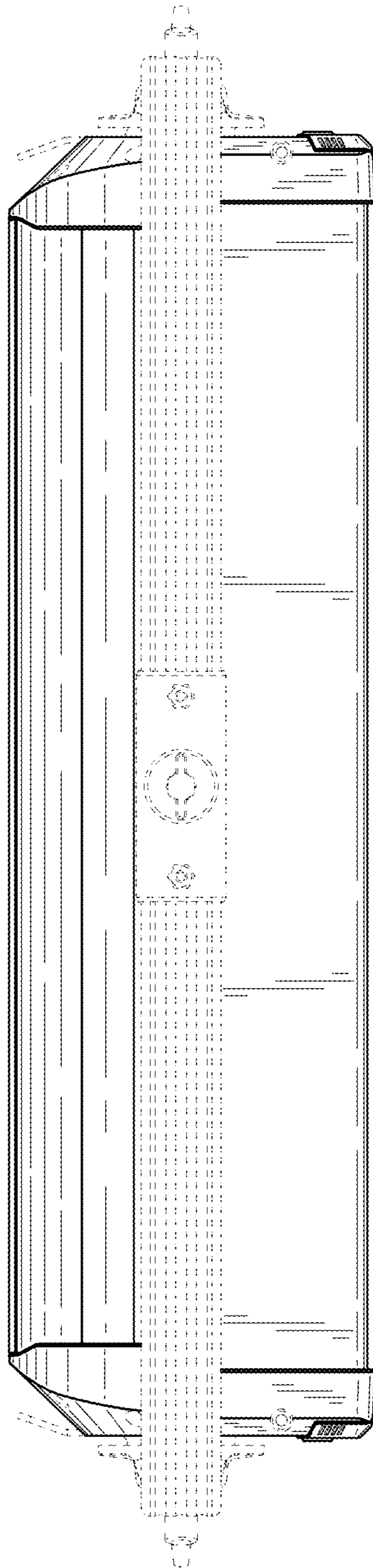


FIG. 7

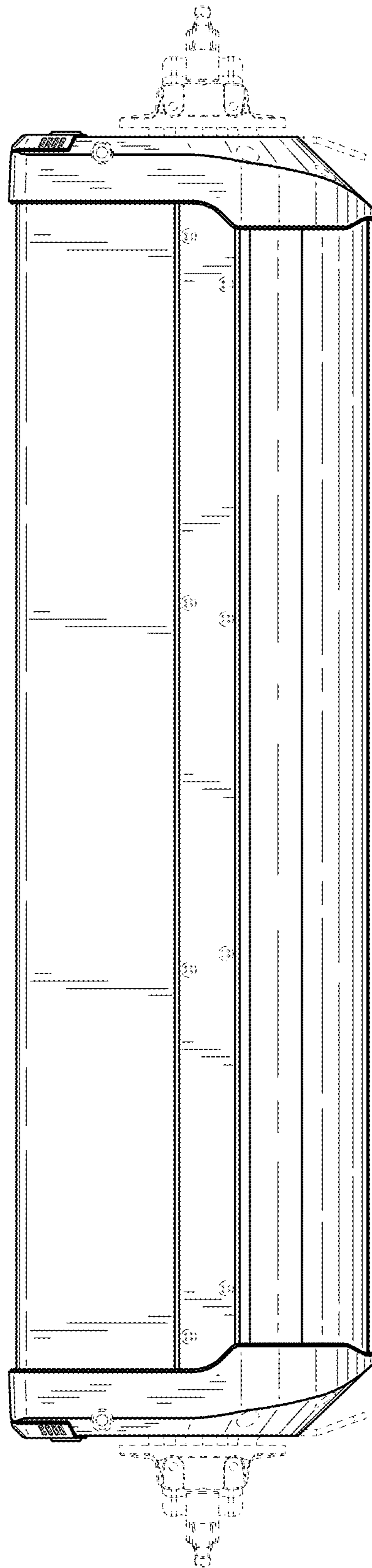


FIG. 8