



US00D950121S

(12) **United States Design Patent**
He

(10) **Patent No.:** **US D950,121 S**
(45) **Date of Patent:** **** Apr. 26, 2022**

(54) **PLANT GROW LIGHT**

FOREIGN PATENT DOCUMENTS

(71) Applicant: **SUNNYPOWER NEW ENERGY CO., LTD.**, Shenzhen (CN)

GB 6139080 * 5/2021

(72) Inventor: **Lijie He**, Shenzhen (CN)

OTHER PUBLICATIONS

(73) Assignee: **SUNNYPOWER NEW ENERGY CO., LTD.**, Shenzhen (CN)

Amazon, "GooingTop LED Grow Light", first available Sep. 22, 2020. (<https://www.amazon.com/Lights-Spectrum-Indoor-5-Level-Dimmable/dp/B085CDPSMR>) (Year: 2020).*

(**) Term: **15 Years**

(Continued)

(21) Appl. No.: **29/785,680**

Primary Examiner — Lauren D McVey
Assistant Examiner — Justin A Johnson

(22) Filed: **May 26, 2021**

(51) **LOC (13) Cl.** **26-04**

(57) **CLAIM**

(52) **U.S. Cl.**
USPC **D26/60**

The ornamental design for a plant grow light, as shown and described.

(58) **Field of Classification Search**
USPC D26/24, 25, 60, 61, 63, 93, 102, 106
CPC F21L 2/00; F21L 4/00; F21L 4/02; F21L 4/025; F21L 4/027; F21L 14/00; F21S 2/00; F21S 8/03; F21S 8/033; F21S 6/00; F21S 6/002; F21S 8/036; F21S 8/037; F21S 8/00; F21S 8/006; F21S 8/026; H01K 7/00; H01K 7/02; A01G 7/045
See application file for complete search history.

DESCRIPTION

(56) **References Cited**

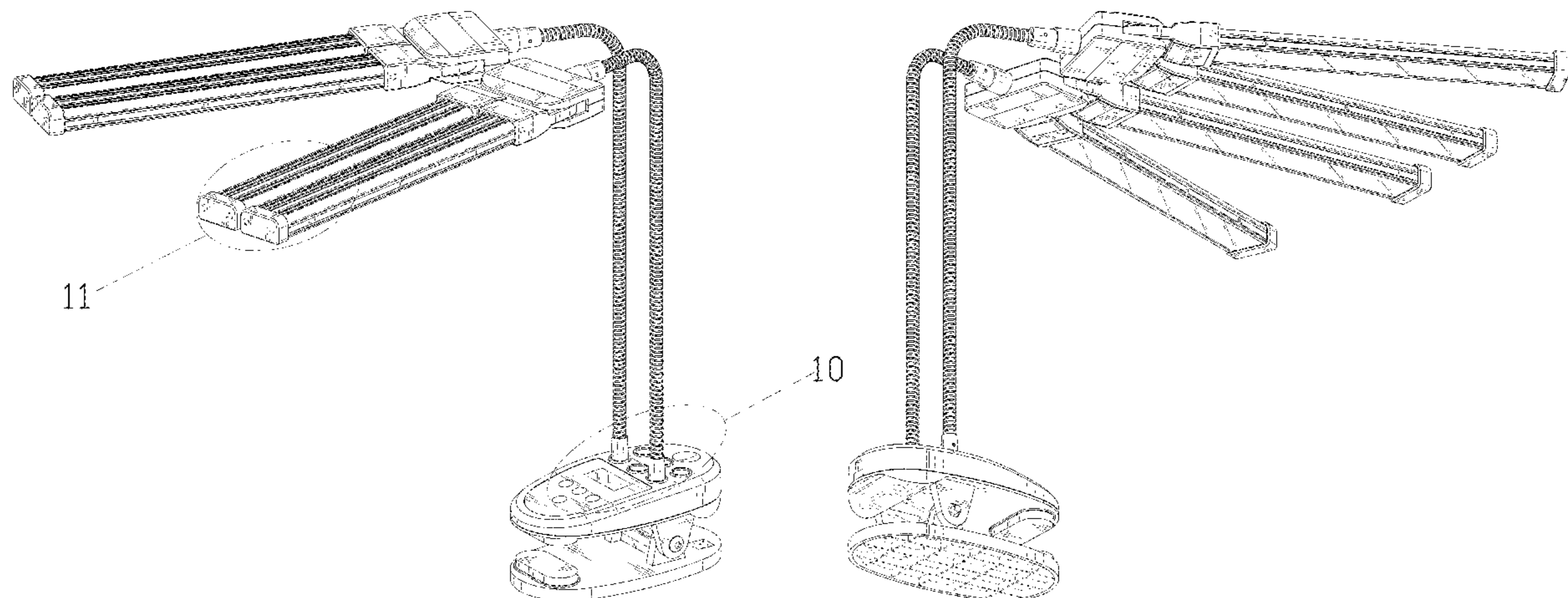
U.S. PATENT DOCUMENTS

D151,855 S	*	11/1948	Nitardy	D26/65
D564,118 S	*	3/2008	Wu	D26/63
D590,534 S	*	4/2009	Levine	D26/62
D603,543 S	*	11/2009	Huang	D26/63
D690,859 S	*	10/2013	Mollaghaffari	D26/63
D822,877 S	*	7/2018	Kaiser	D26/107
D838,887 S	*	1/2019	Su	D26/60
D874,701 S	*	2/2020	Hu	D26/60
D878,654 S	*	3/2020	Lin	D26/60
D889,024 S		6/2020	Deng		
D890,399 S	*	7/2020	Su	D26/60
D901,064 S	*	11/2020	Hodgson	D26/102

(Continued)

FIG. 1 is a perspective view of a plant grow light showing my new design;
FIG. 2 is another perspective view thereof;
FIG. 3 is a front elevational view thereof;
FIG. 4 is a rear elevational view thereof;
FIG. 5 is a left side elevational view thereof;
FIG. 6 is a right side elevational view thereof;
FIG. 7 is a top plan view thereof;
FIG. 8 is a bottom plan view thereof;
FIG. 9 is a perspective view of the plant grow light where the plant grow light is in a configuration of use;
FIG. 10 is an enlarged view of portion 10 shown in FIG. 1; and,
FIG. 11 is an enlarged view of portion 11 shown in FIG. 1. The evenly spaced broken lines in the drawings depict portions of the plant grow light that form no part of the claimed design. In addition, the dot-dash broken lines illustrate enlarged portions of the design.

1 Claim, 11 Drawing Sheets



(56)

References Cited

U.S. PATENT DOCUMENTS

D903,174 S 11/2020 Chen
D921,255 S * 6/2021 Jia D26/60
D925,800 S * 7/2021 He D26/60

OTHER PUBLICATIONS

Amazon, “highydroLED Grow Lights”, first available May 14, 2021. (<https://www.amazon.com/dp/B094XH67M2/>) (Year: 2021).*

Amazon, “posyley Grow Light”, first available Jul. 12, 2021. (<https://www.amazon.ca/dp/B096JZ7PBF/>) (Year: 2021).*

Amazon, “Muizlux—Led Grow Light”, first available Aug. 13, 2021. (<https://www.facebook.com/MuizluxLedGrowLight/photos/102213748841860>) (Year: 2021).*

* cited by examiner

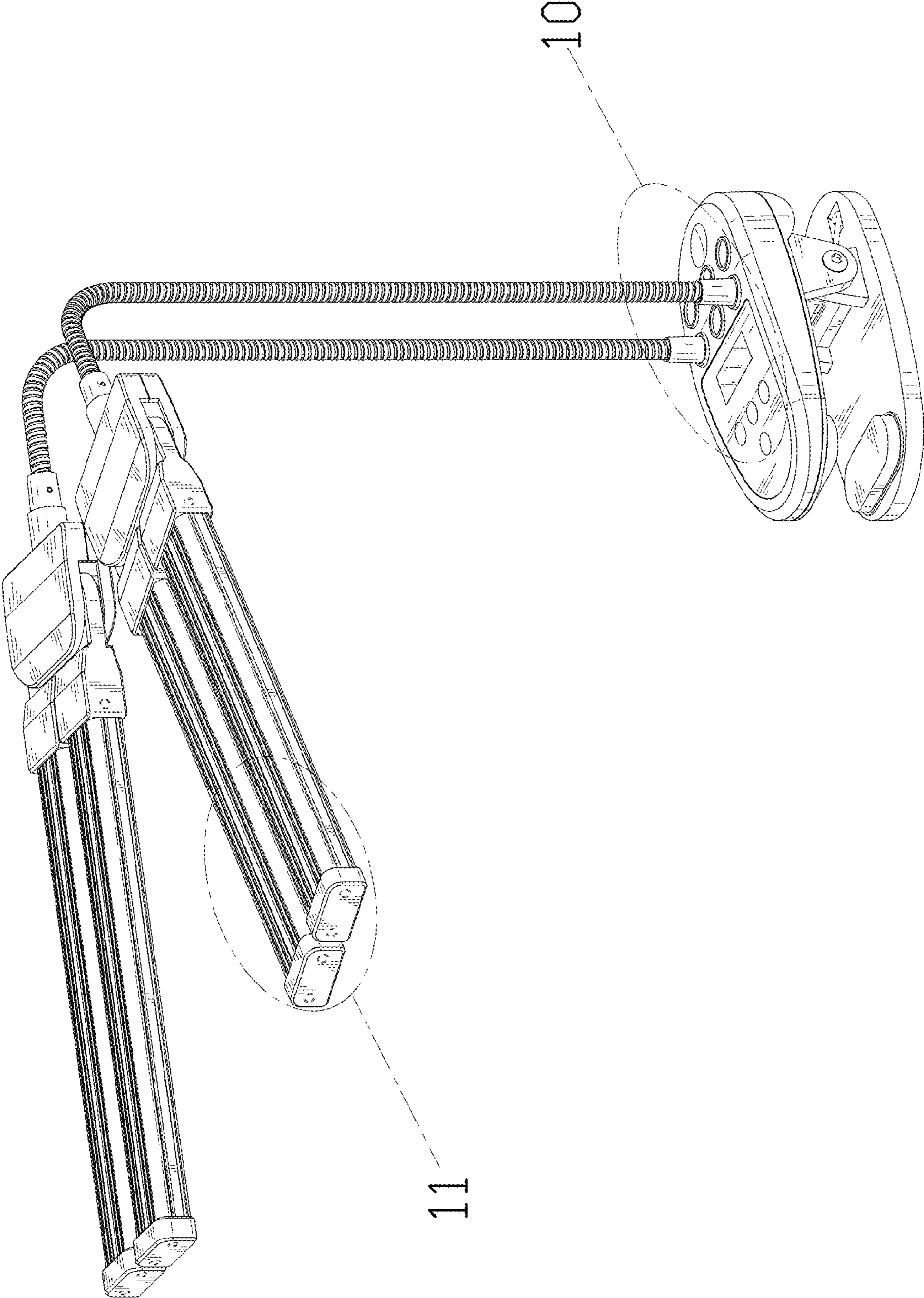


FIG. 1

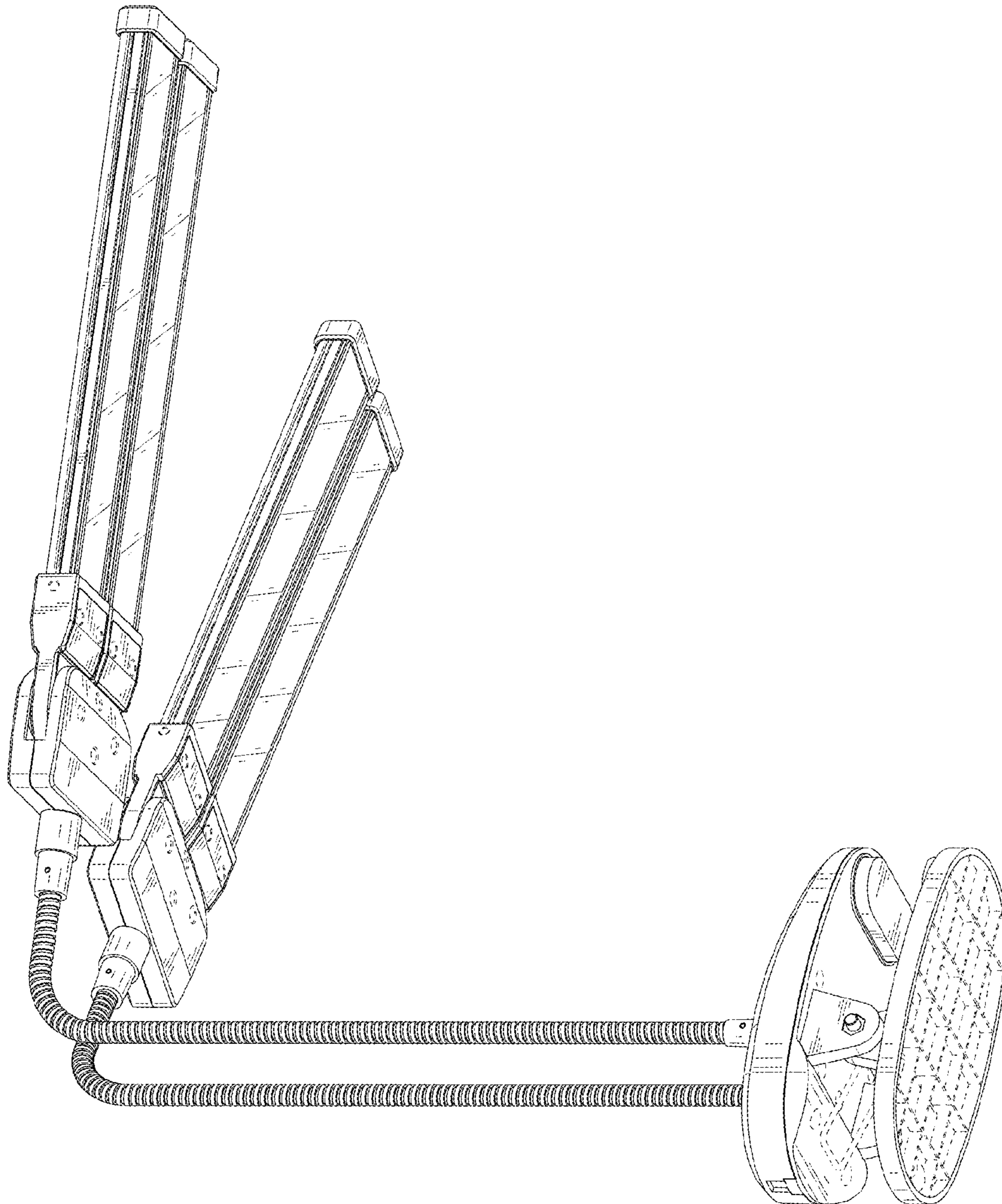


FIG. 2

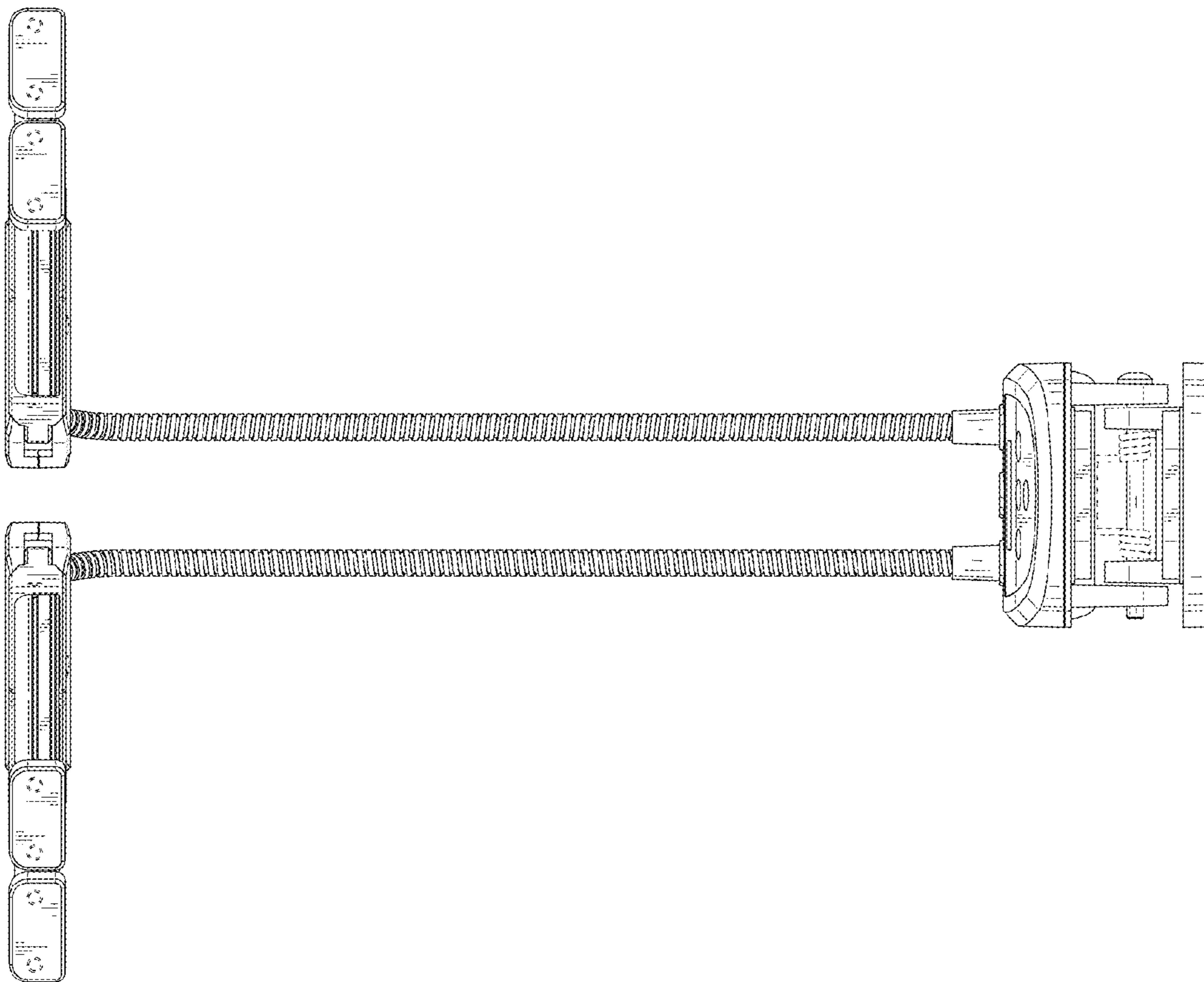


FIG. 3

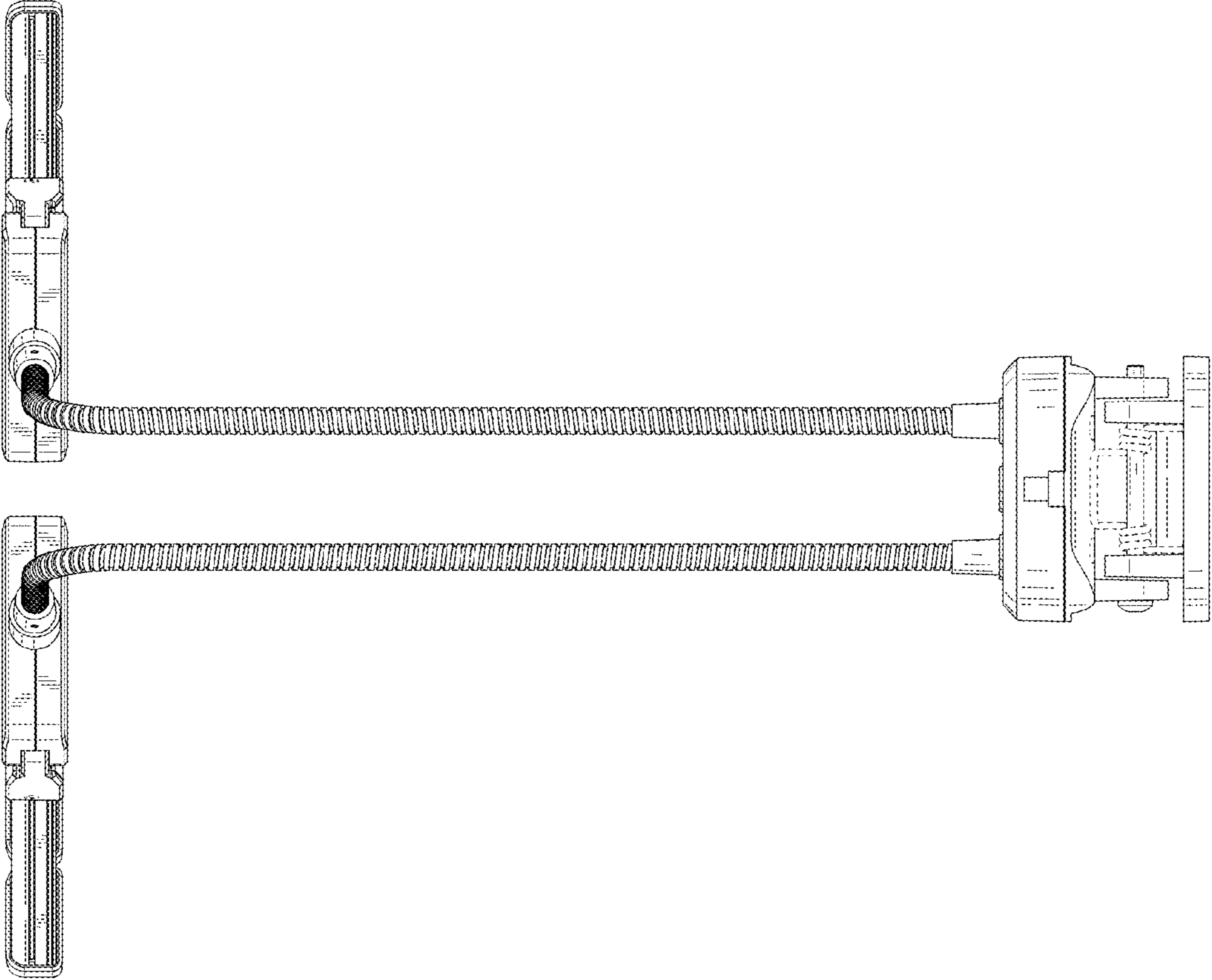


FIG. 4

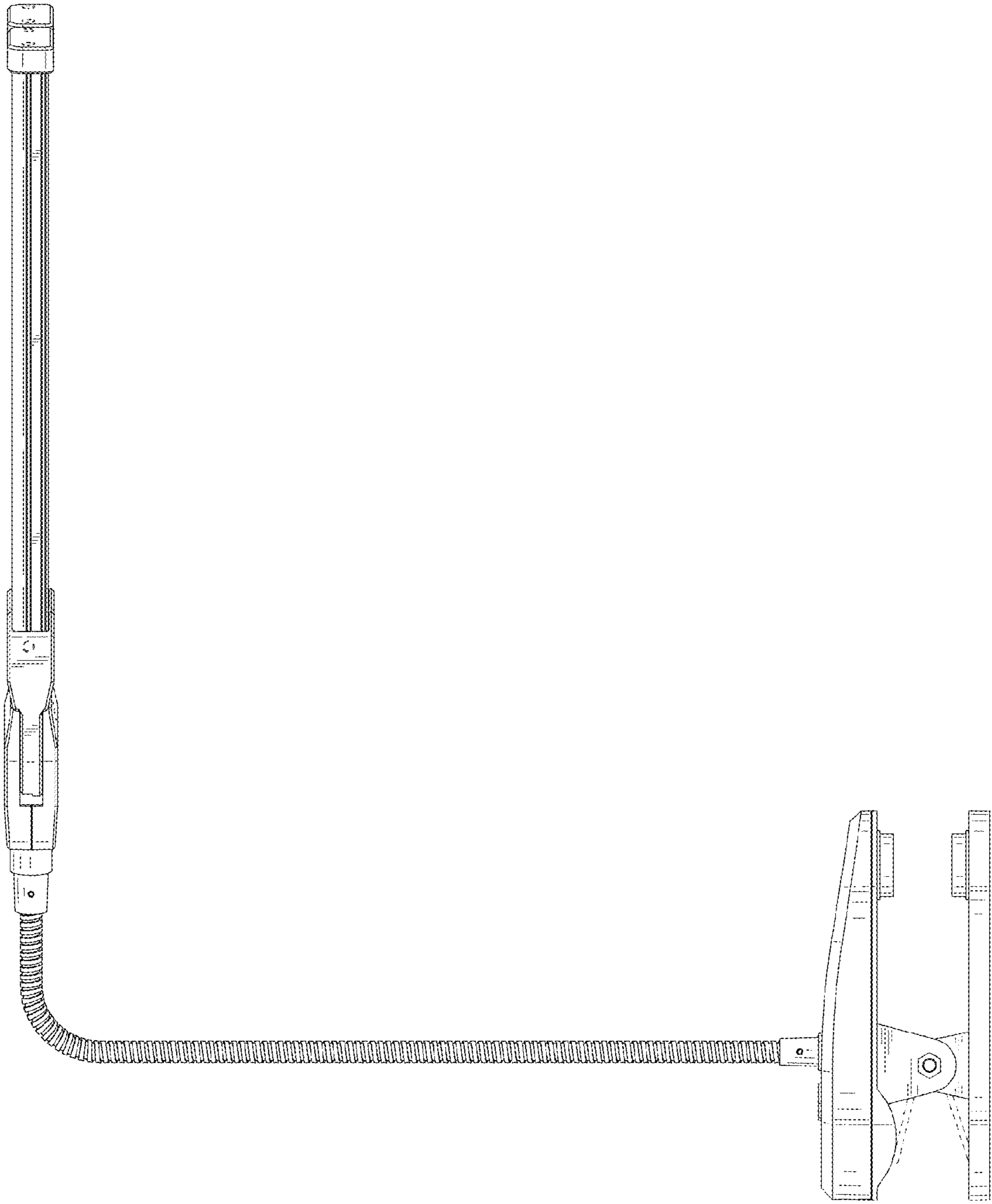


FIG. 5

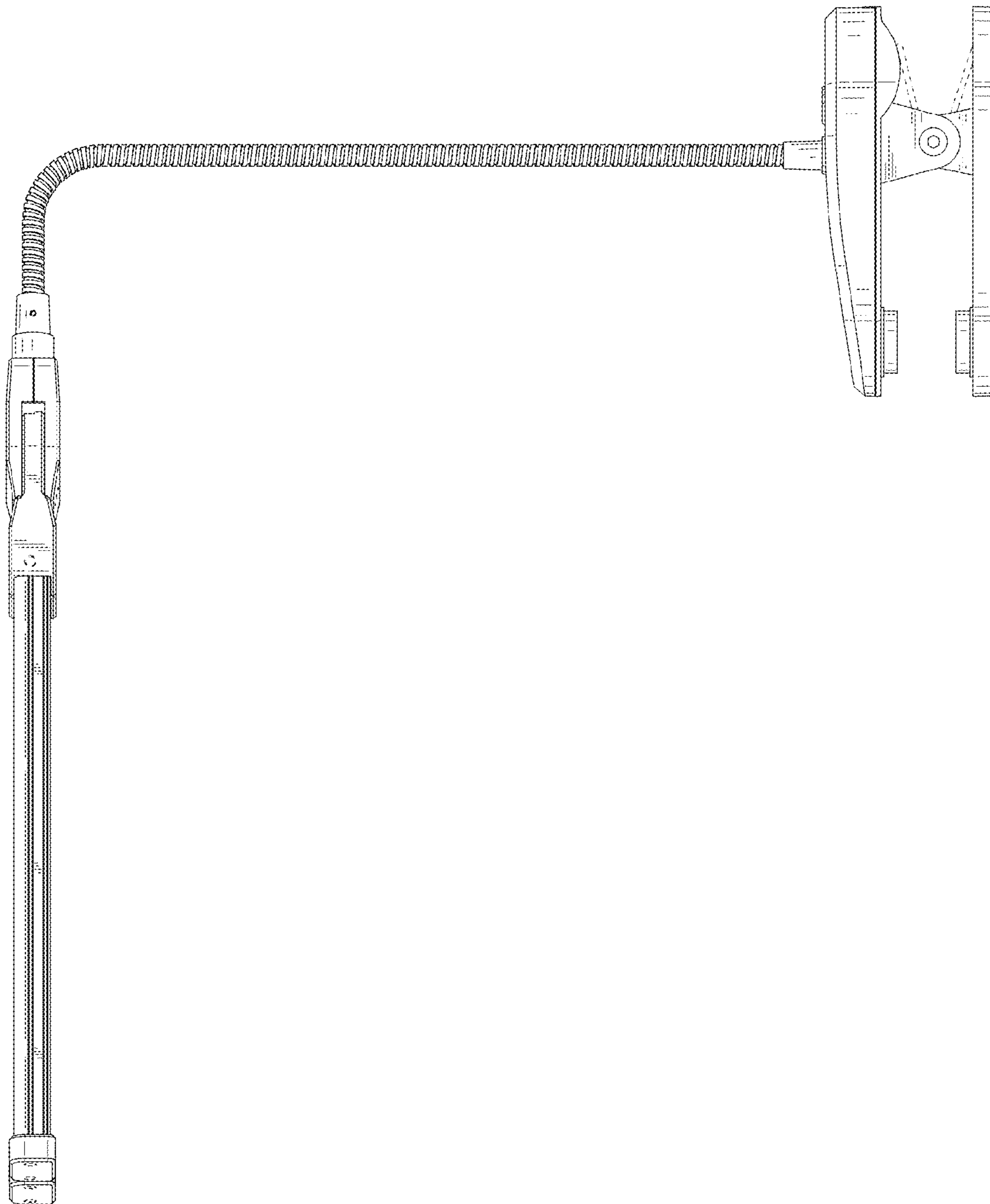


FIG. 6

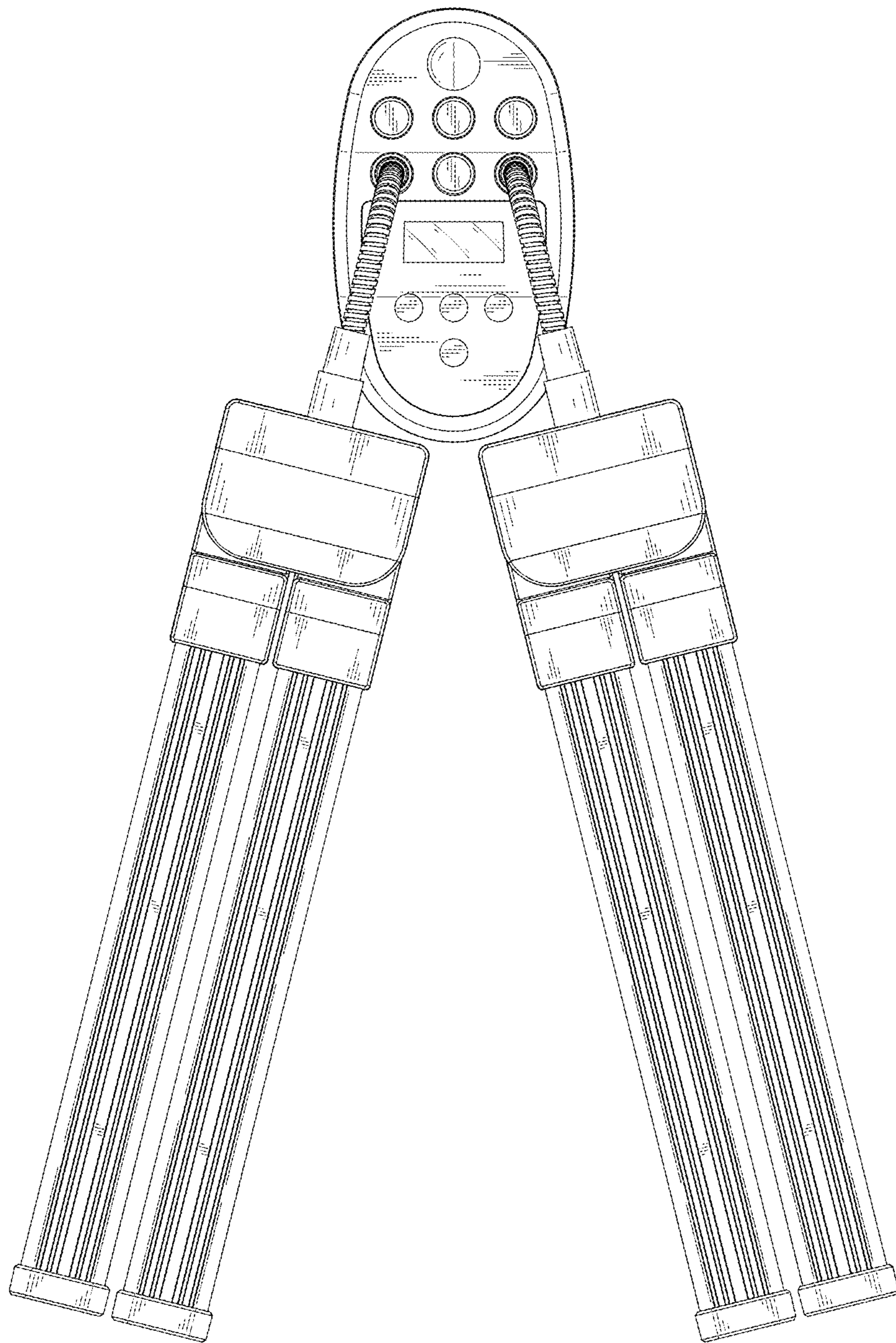


FIG. 7

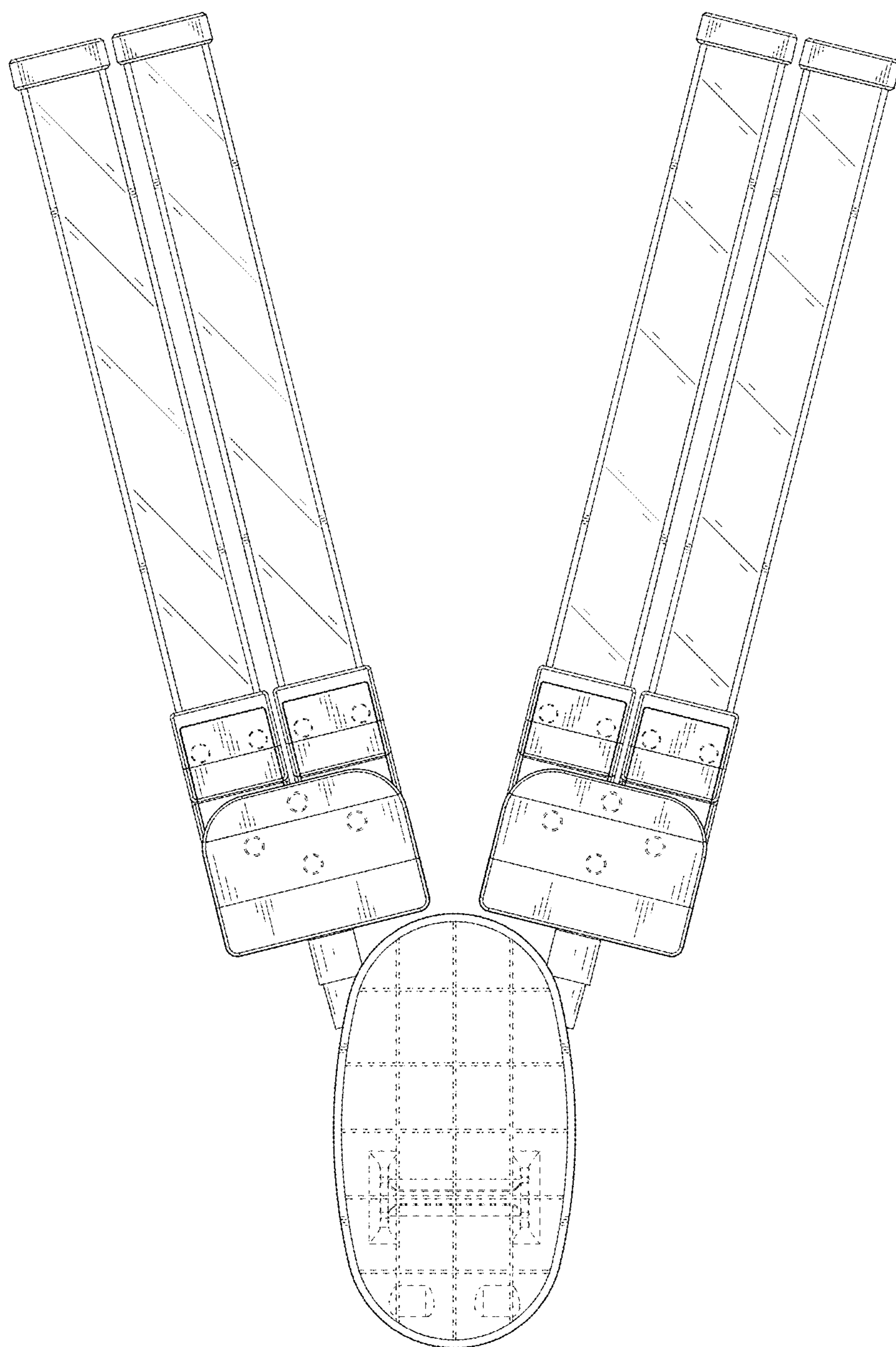


FIG. 8

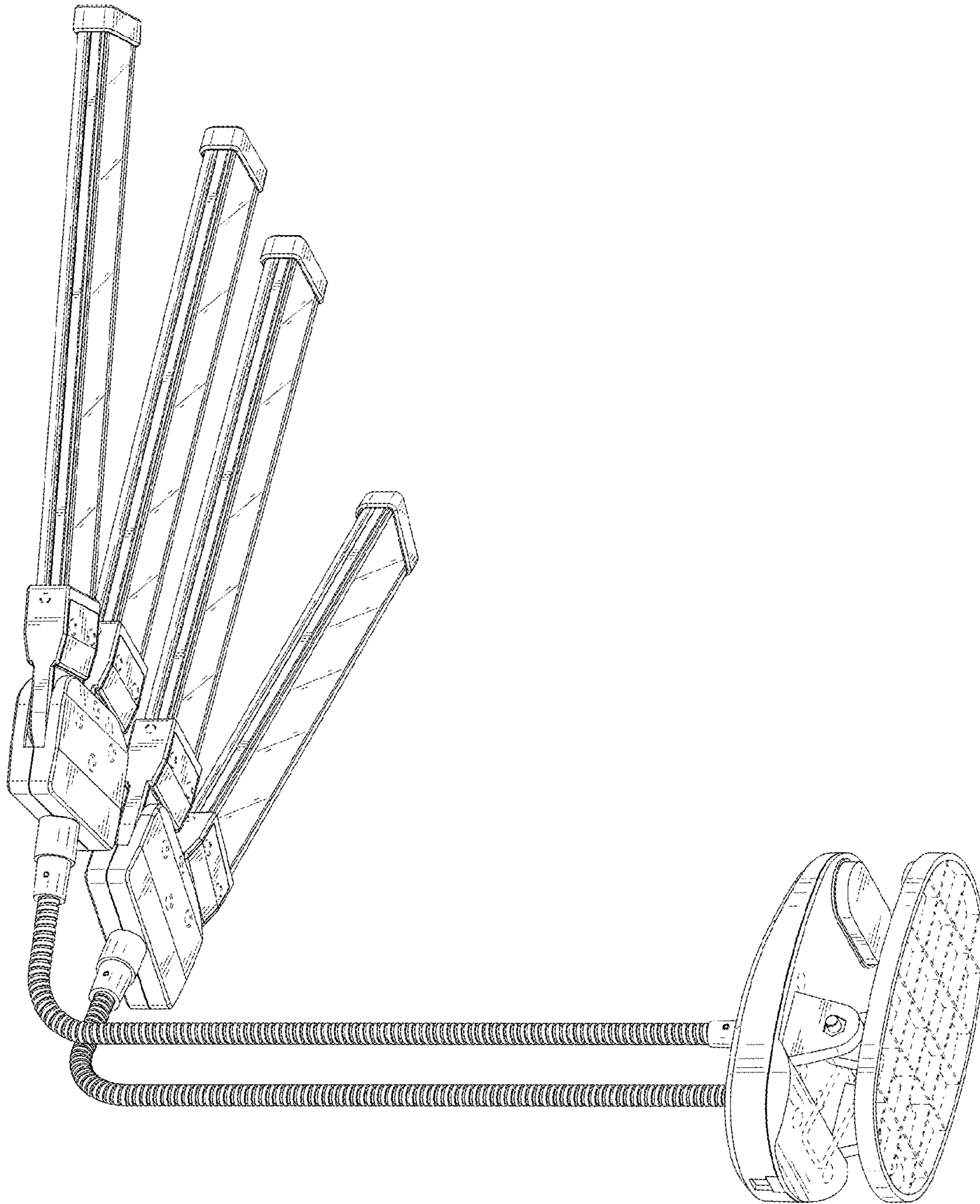


FIG. 9

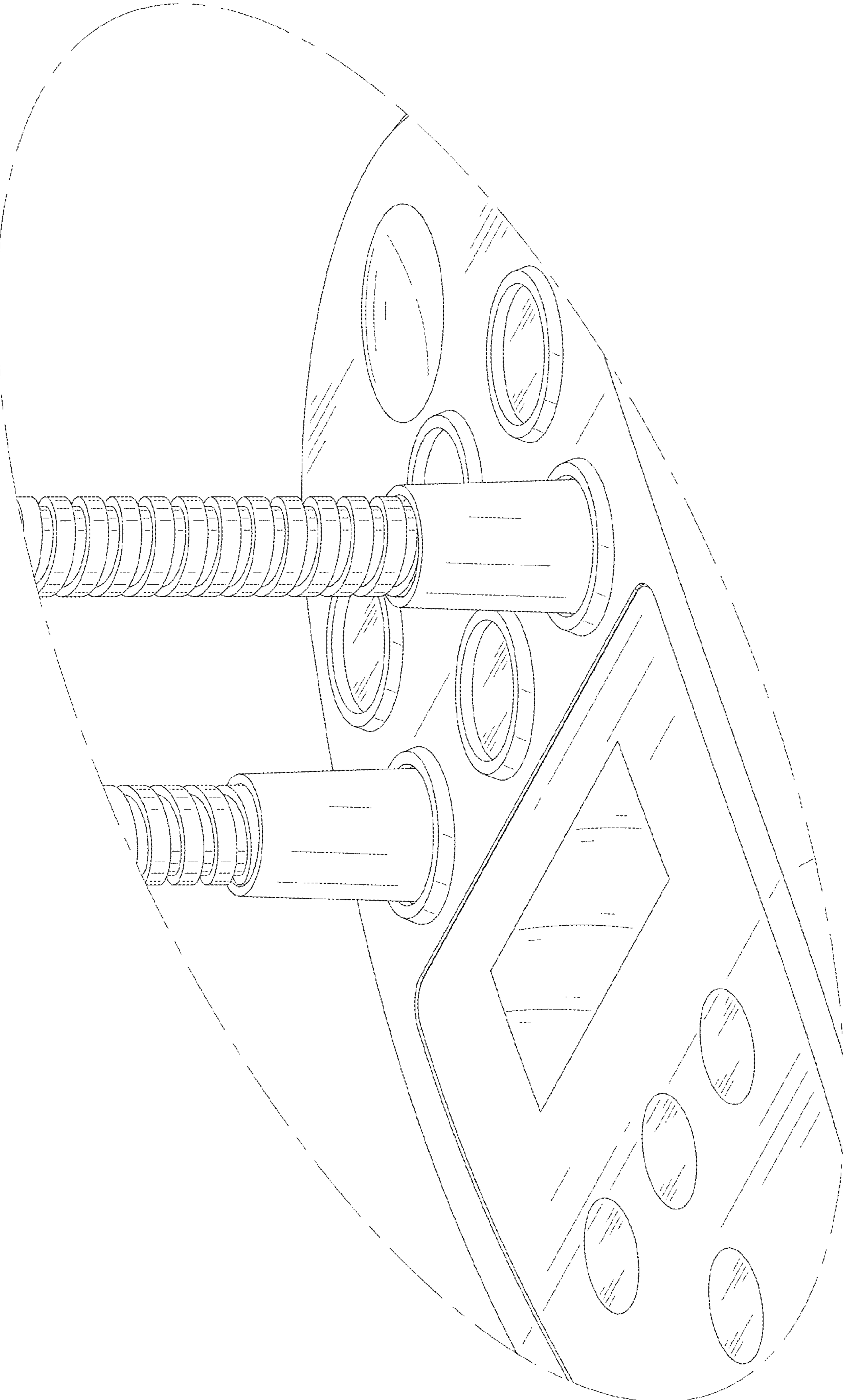


FIG. 10

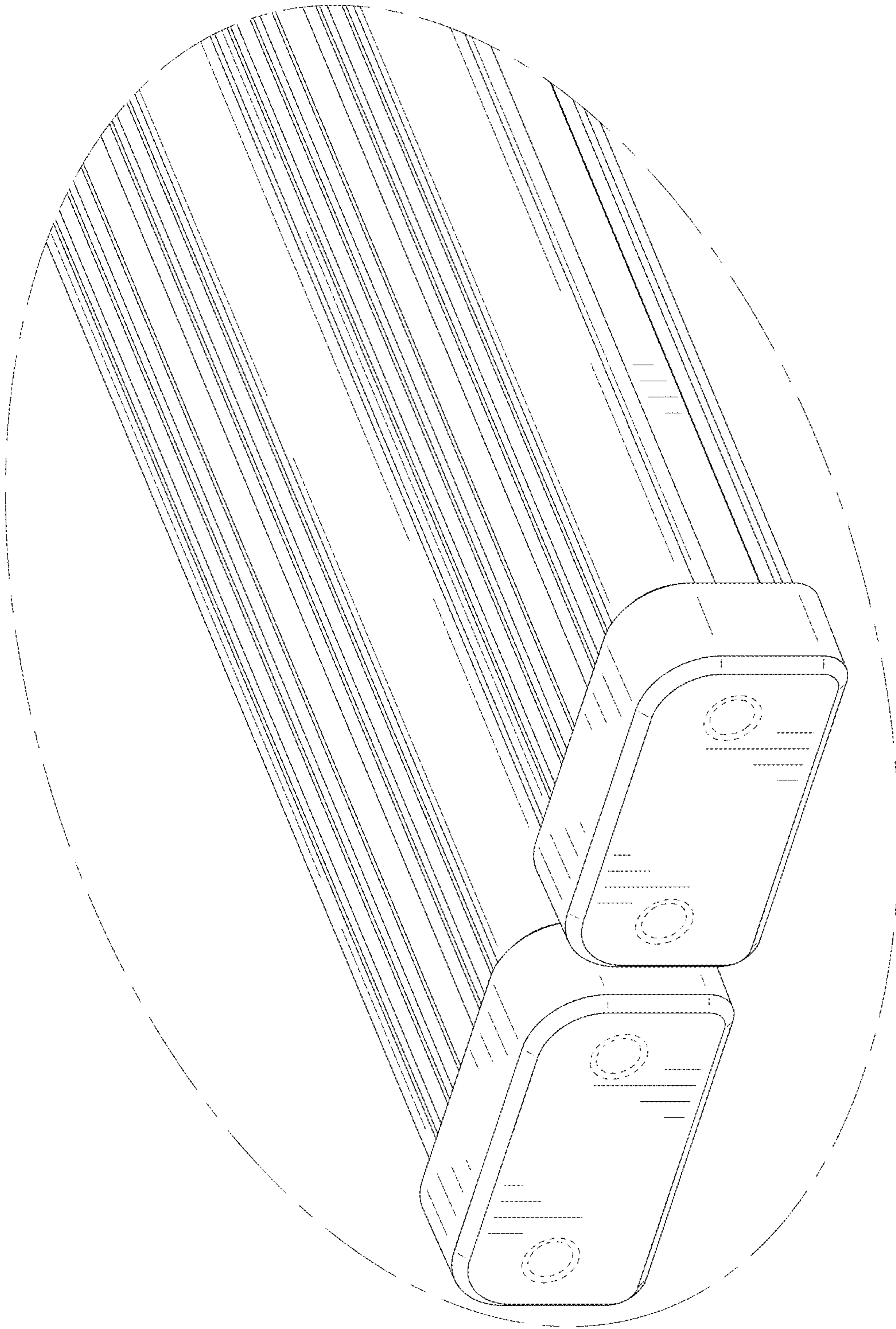


FIG. 11