



US00D950120S

(12) **United States Design Patent**  
**Pang**

(10) **Patent No.:** **US D950,120 S**

(45) **Date of Patent:** **\*\* Apr. 26, 2022**

(54) **FOLDABLE OFFICE CLAMP LAMP**

(71) Applicant: **ZHEJIANG TOPMB ELECTRICAL LIGHTING CO., LTD**, Shaoxing (CN)

(72) Inventor: **Lingling Pang**, Shaoxing (CN)

(73) Assignee: **ZHEJIANG TOPMB ELECTRICAL LIGHTING CO., LTD.**, Shaoxing (CN)

(\*\*) Term: **15 Years**

(21) Appl. No.: **29/691,647**

(22) Filed: **May 17, 2019**

(30) **Foreign Application Priority Data**

Apr. 15, 2019 (CN) ..... 201930169480.8

(51) **LOC (13) Cl.** ..... **26-05**

(52) **U.S. Cl.**  
USPC ..... **D26/60; D26/61; D26/65**

(58) **Field of Classification Search**  
USPC .... D26/64, 60, 61, 62, 63, 24, 65, 104, 106, D26/107, 108, 109  
CPC ..... F21S 6/00; F21S 6/003; F21S 8/00; F21S 8/003; F21V 17/02; F21V 21/00; F21V 21/06; F21V 21/088; F21V 21/14; F21V 21/28; F21V 21/08; F21V 21/26; F21W 2131/10; F21W 2131/30

See application file for complete search history.

(56) **References Cited**

**U.S. PATENT DOCUMENTS**

D135,479 S \* 4/1943 Hopkins ..... D26/60  
2,395,178 A \* 2/1946 Fiori ..... F21V 21/26  
248/597  
2,694,585 A \* 11/1954 Irving ..... F21S 8/00  
403/120  
D351,920 S \* 10/1994 Nagy ..... D26/65  
6,203,175 B1 \* 3/2001 Basacchi ..... F21S 9/02  
362/287

D486,938 S \* 2/2004 Waldmann ..... D26/60  
D522,681 S \* 6/2006 Chen ..... F21V 21/14  
D26/107  
D690,861 S \* 10/2013 Huang ..... D26/65  
D716,987 S \* 11/2014 Waldmann ..... F21V 21/26  
D26/65  
D731,699 S \* 6/2015 Fishman ..... F21V 19/009  
D26/106

(Continued)

**FOREIGN PATENT DOCUMENTS**

EM 007213285-0001 \* 11/2019

**OTHER PUBLICATIONS**

Magnum Modern Minimalist Desk Table Lamp, Oct. 7, 2015, Amazon.com, site visited Nov. 22, 2021, url: <https://www.amazon.com/dp/B013LPTUY2?th=1> (Year: 2015).\*

(Continued)

*Primary Examiner* — T Chase Nelson  
*Assistant Examiner* — Rachel Wolfe  
(74) *Attorney, Agent, or Firm* — Charles C. Achkar; Ostrolenk Faber LLP.

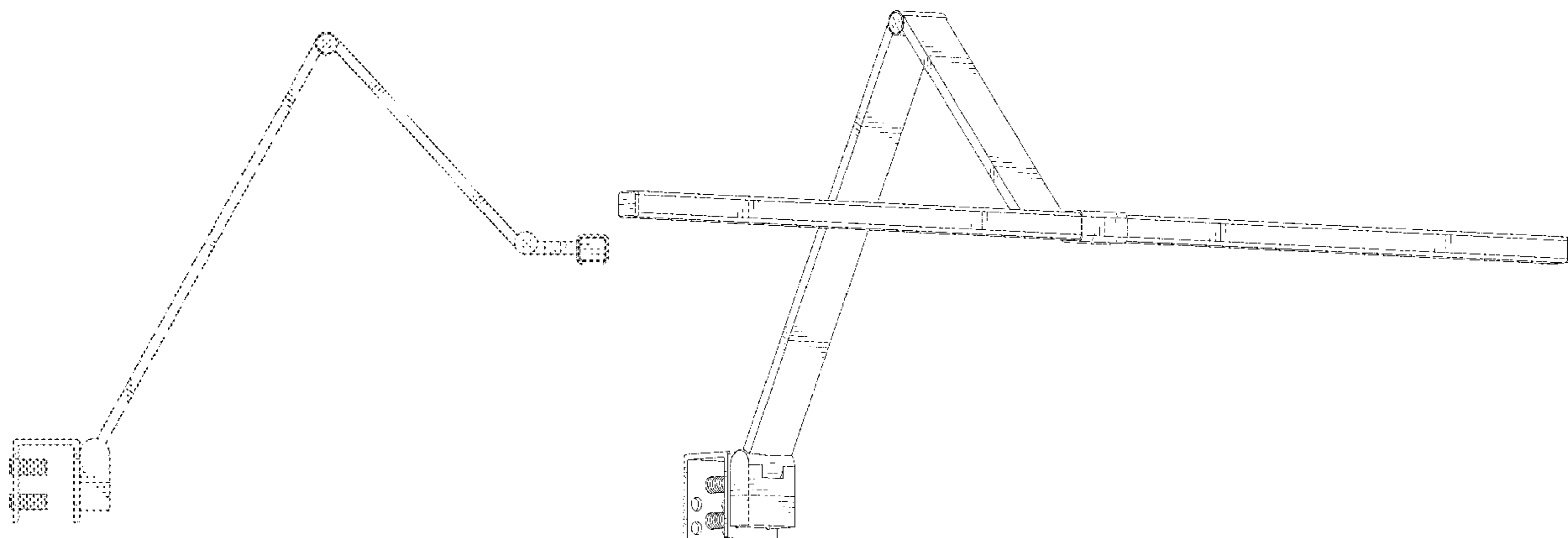
(57) **CLAIM**

The ornamental design for a foldable office clamp lamp, as shown and described.

**DESCRIPTION**

FIG. 1 is a front elevational view of my new design;  
FIG. 2 is a rear elevational view thereof;  
FIG. 3 is a right side elevational view thereof;  
FIG. 4 is a left side elevational view thereof;  
FIG. 5 is a top plan view thereof;  
FIG. 6 is a bottom plan view thereof;  
FIG. 7 is a top, right side perspective view thereof;  
FIG. 8 is a back, right side perspective view thereof; and,  
FIG. 9 is a front, right side perspective view thereof.

**1 Claim, 9 Drawing Sheets**



(56)

**References Cited**

U.S. PATENT DOCUMENTS

D811,645 S \* 2/2018 Kim ..... D26/107  
 D823,529 S \* 7/2018 Pernthaler ..... F16M 11/041  
 D850,686 S \* 6/2019 Wang ..... F21V 21/22  
 D880,753 S \* 4/2020 Ng ..... D26/85  
 D883,551 S \* 5/2020 Waldmann ..... F21V 21/26  
 D893,791 S \* 8/2020 Lin ..... D26/87  
 D921,950 S \* 6/2021 Ye ..... D26/60  
 2004/0246720 A1\* 12/2004 Koski ..... F21V 23/0435  
 2013/0051025 A1\* 2/2013 Lai ..... F21V 21/14  
 2014/0268726 A1\* 9/2014 Yu ..... F21V 21/26

2014/0285993 A1\* 9/2014 Fisher ..... G03B 15/03  
 2018/0363889 A1\* 12/2018 Yen ..... F21V 19/009  
 2019/0346129 A1\* 11/2019 Yang ..... F21V 21/22  
 2021/0088179 A1\* 3/2021 Pang ..... F16M 11/041

OTHER PUBLICATIONS

Flynn Modern Task Desk Lamp, Jun. 28, 2016, Amazon.com, site visited Nov. 22, 2021, url: <https://www.amazon.com/Charging-Metallic-Adjustable-Bedroom-Nightstand/dp/B01HOK7QA0> (Year: 2016).\*

Youkoyi A509 LED Swing Arm Architect Desk Lamp, Oct. 7, 2016, Amazon.com, site visited Nov. 22, 2021, url: <https://www.amazon.com/dp/B01M1YI1ZD> (Year: 2016).\*

Phive LED Desk Lamp, Jan. 16, 2019, Amazon.com, site visited Nov. 15, 2021, url: <https://www.amazon.com/dp/B07MHH9Q7B> (Jan. 2019).\*

\* cited by examiner

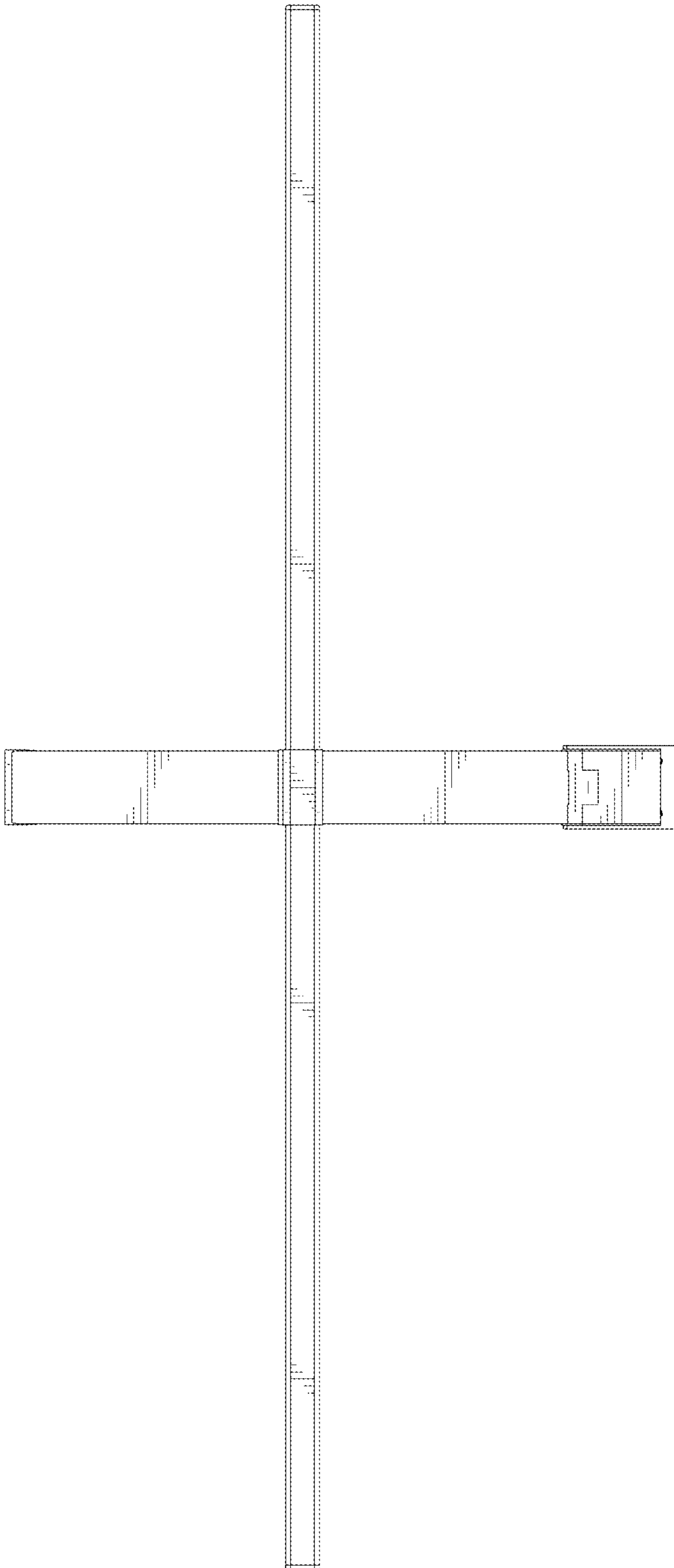


FIG.1

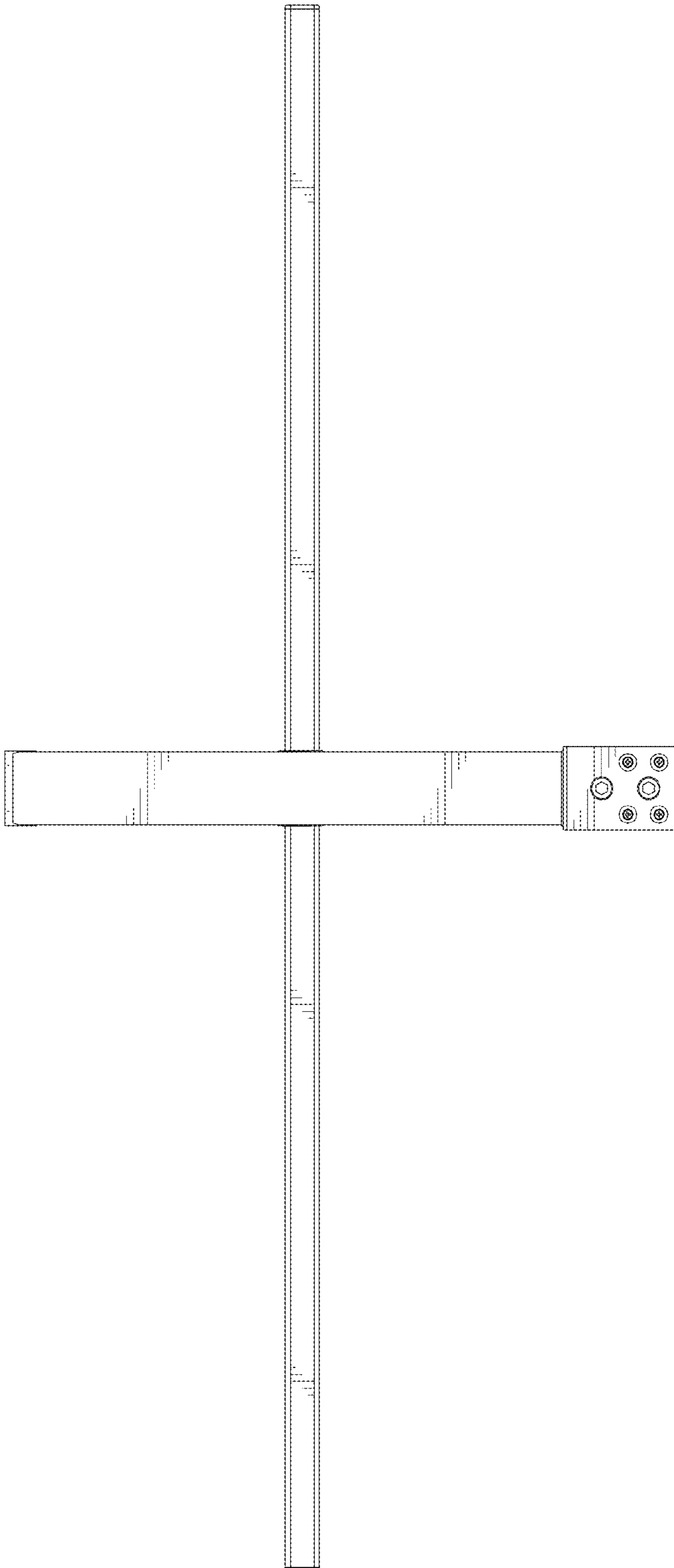


FIG.2

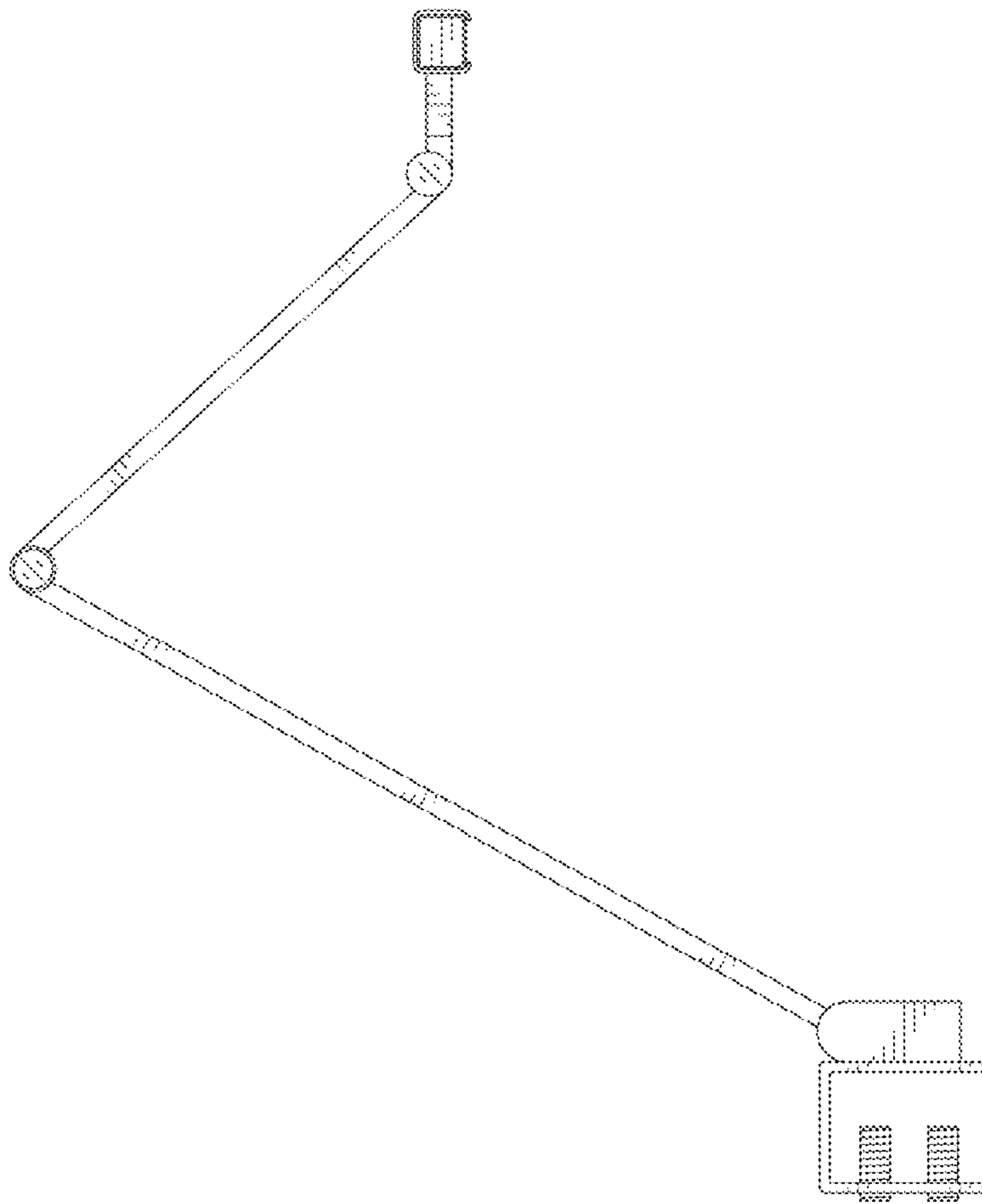


FIG.3

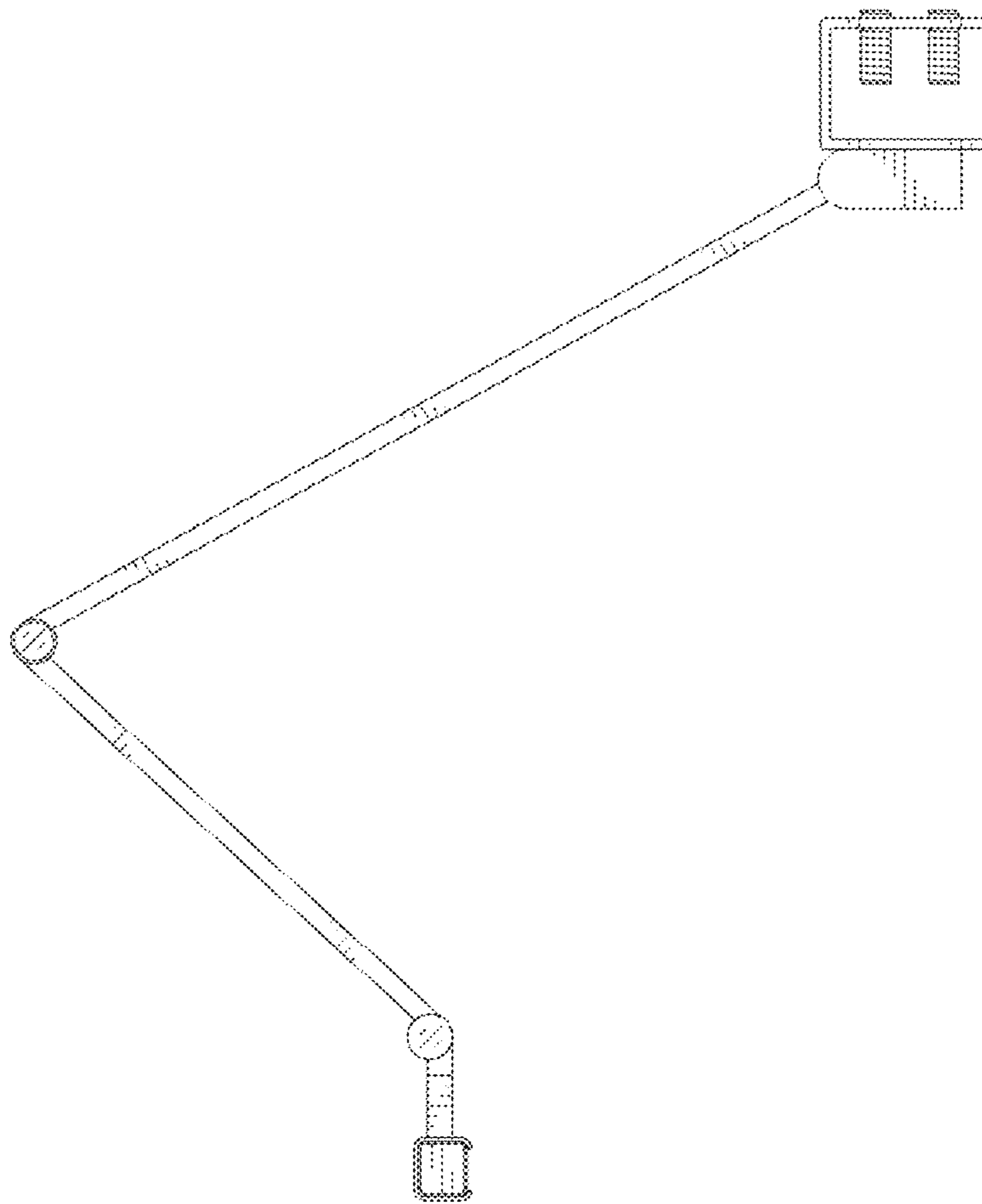


FIG.4

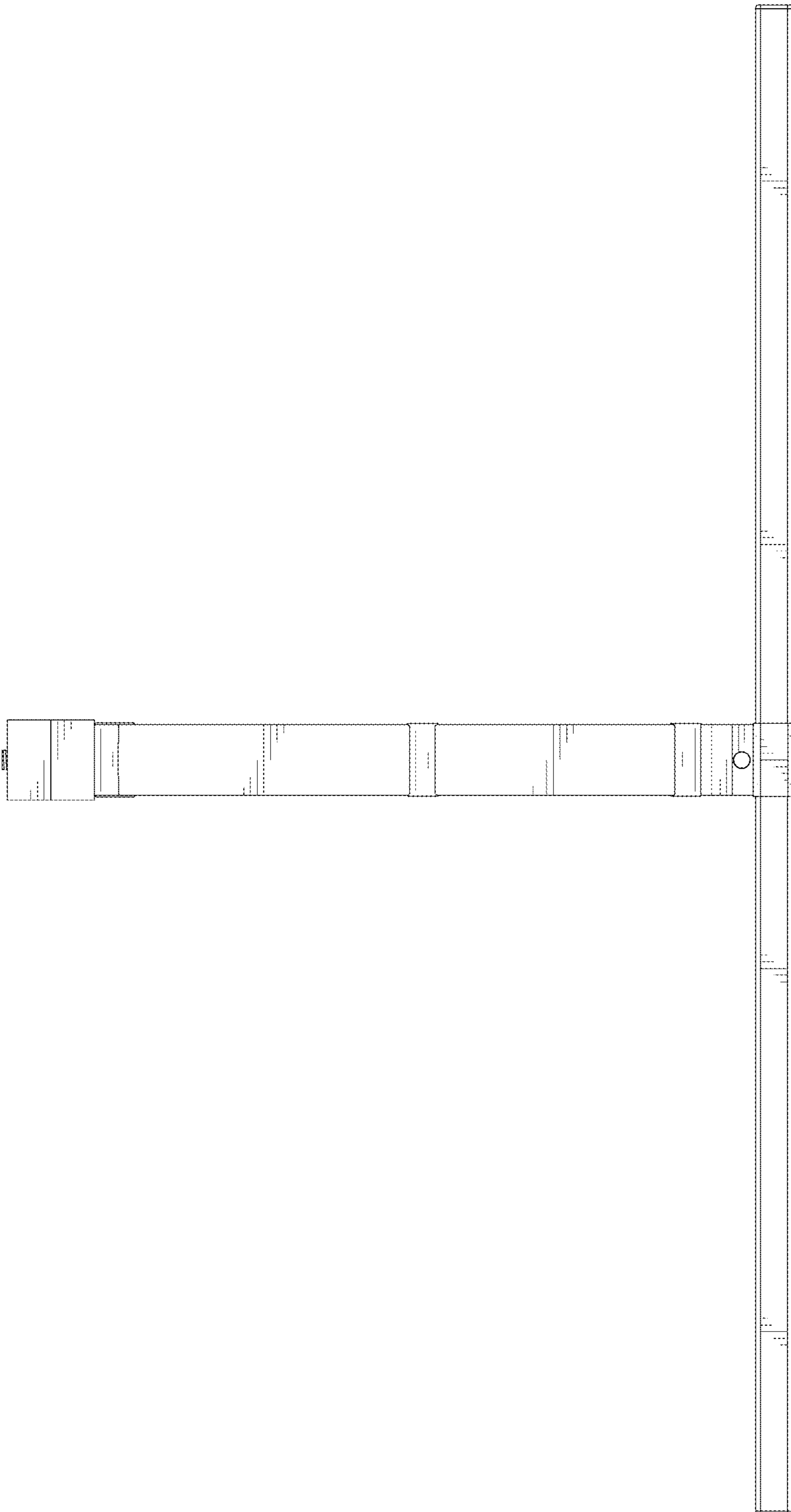


FIG.5

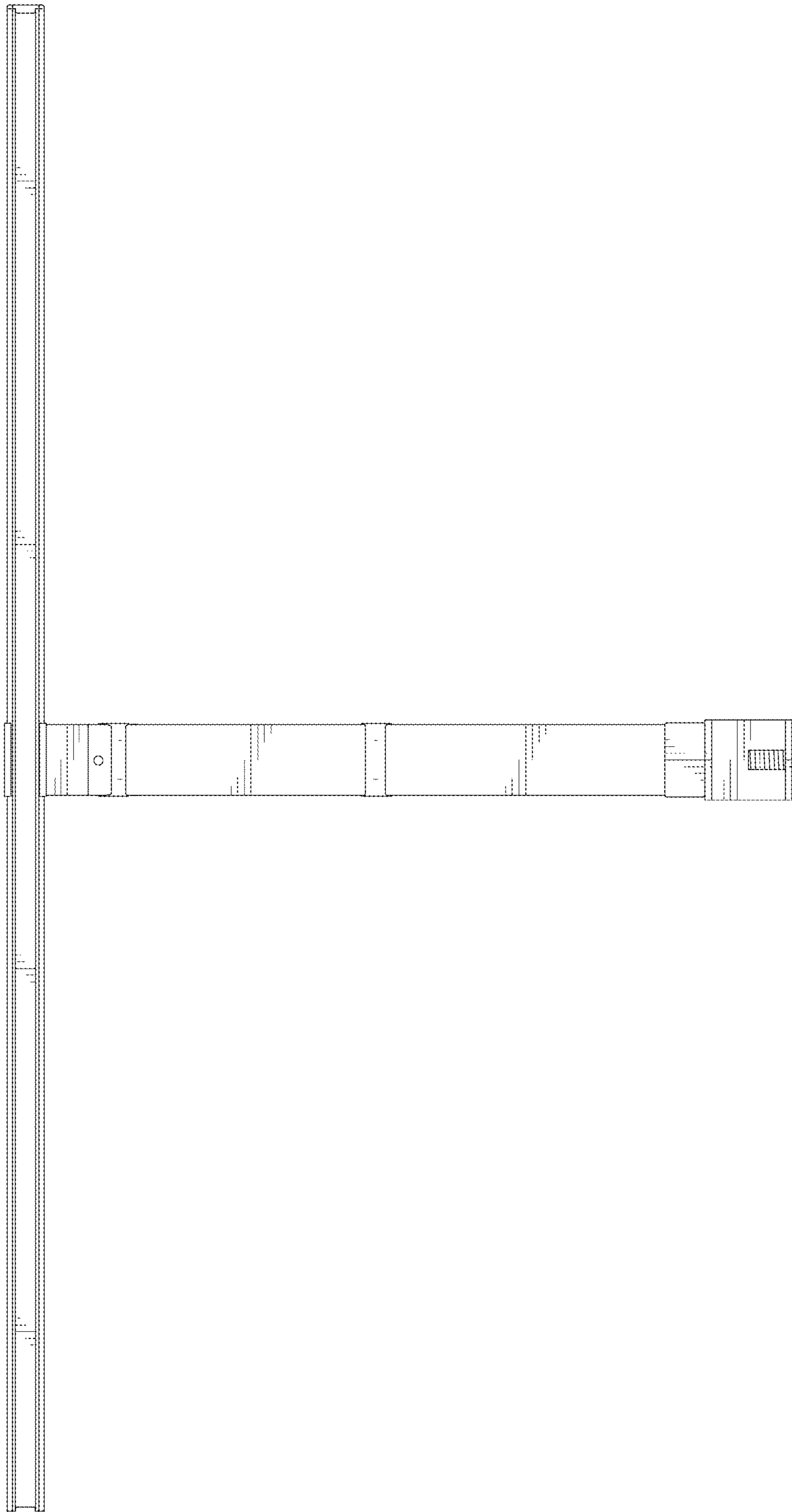


FIG. 6



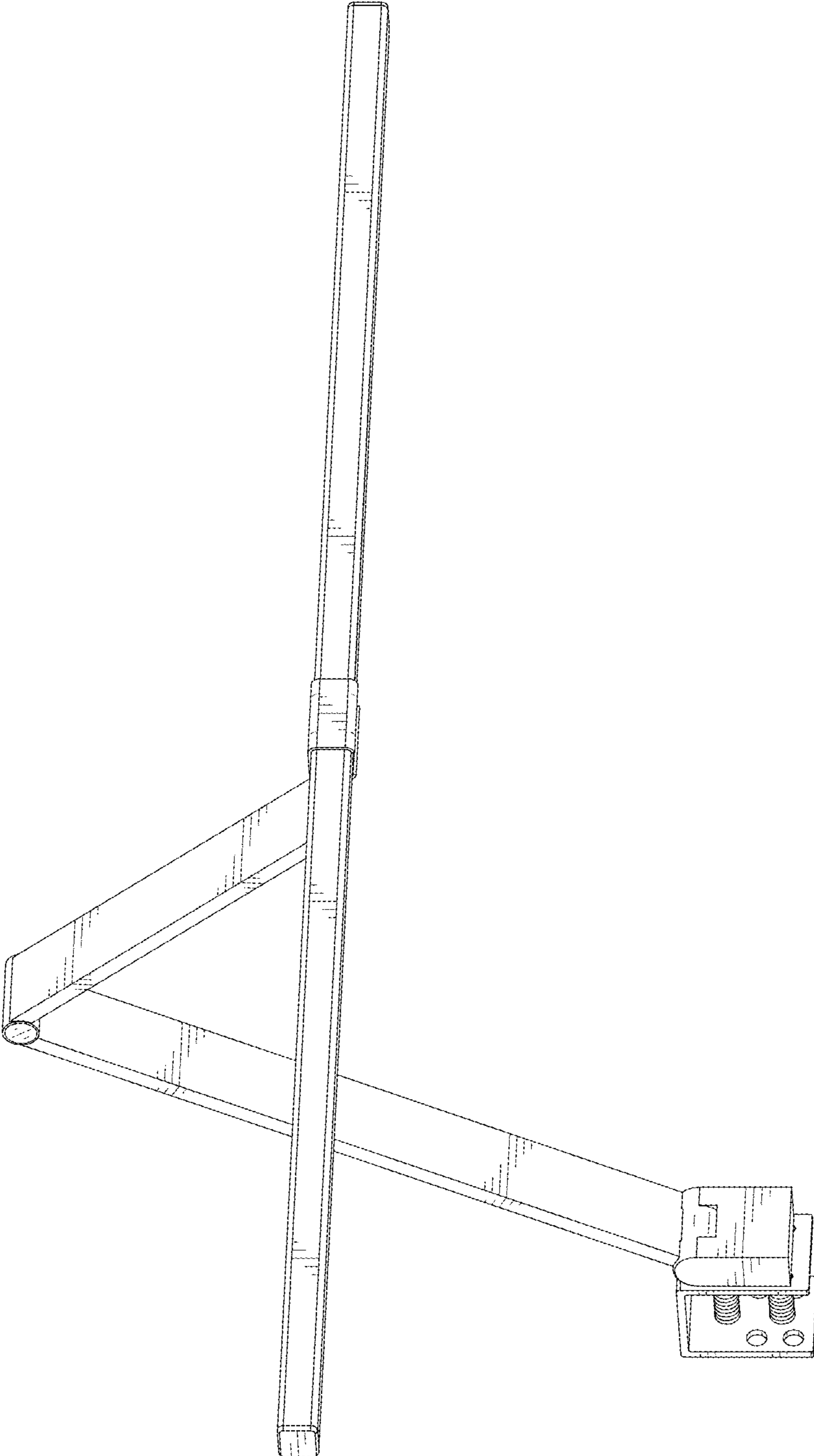


FIG.7

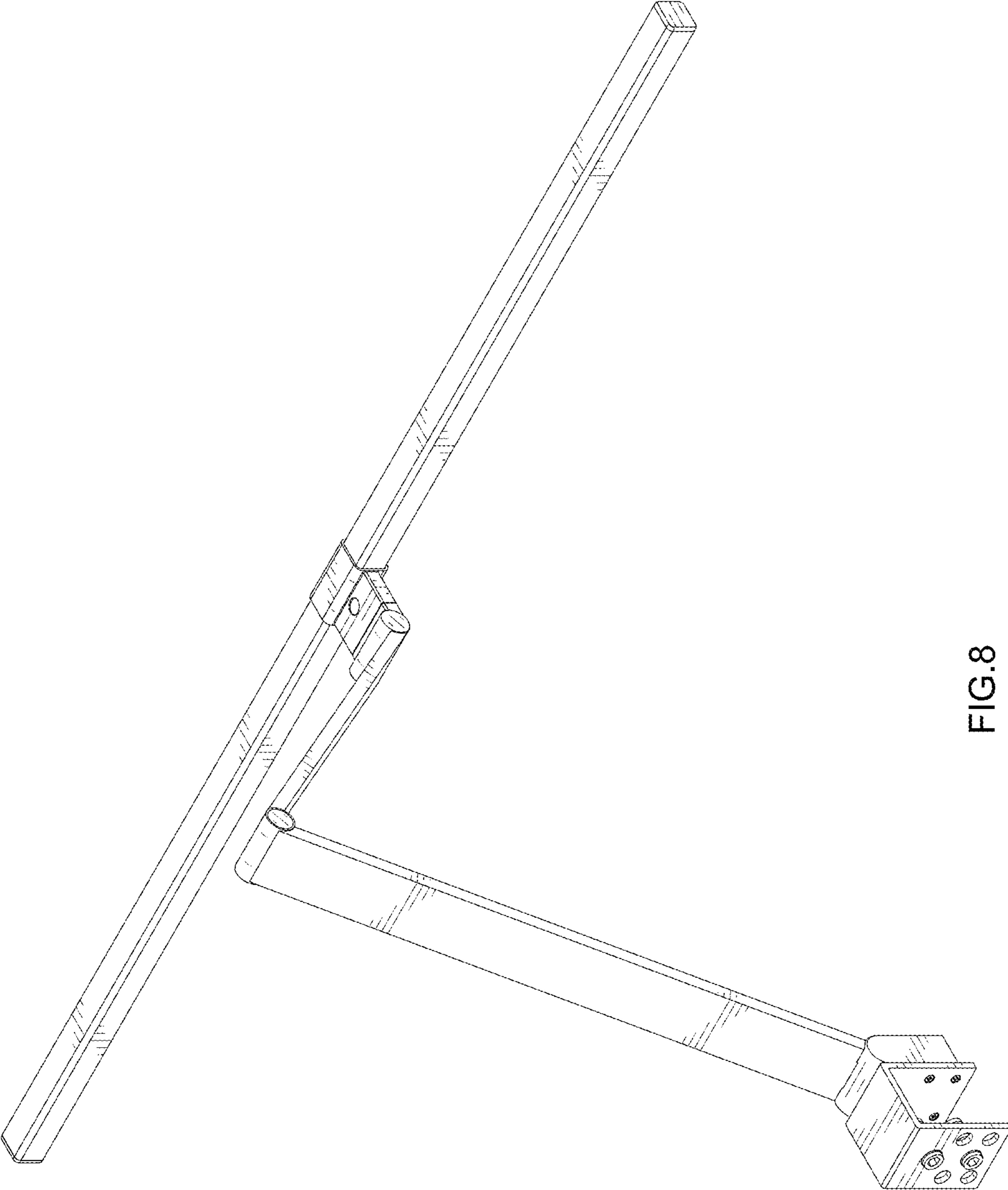


FIG.8

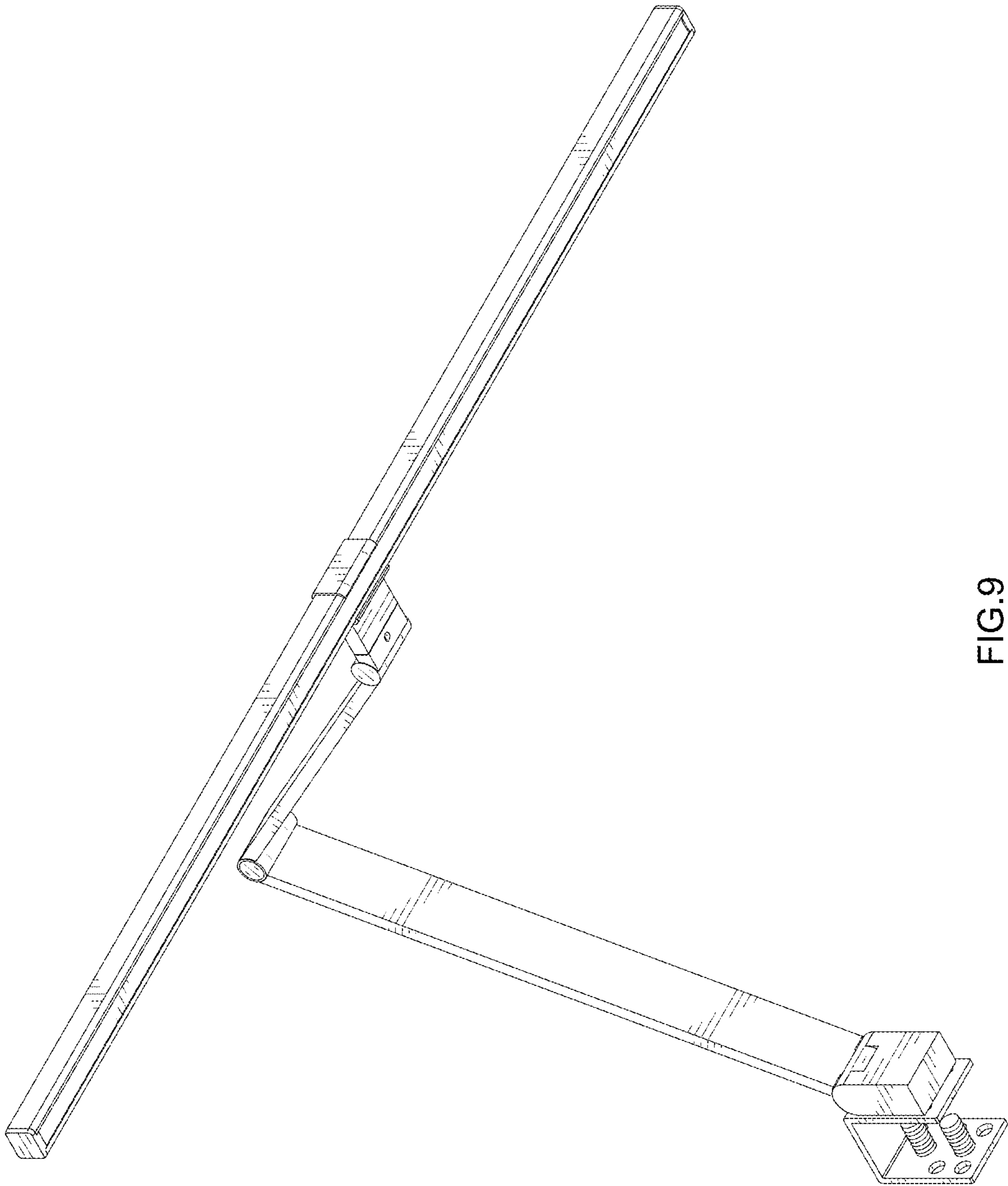


FIG.9