



US00D950119S

(12) **United States Design Patent**
Grandadam

(10) **Patent No.:** **US D950,119 S**

(45) **Date of Patent:** **** Apr. 26, 2022**

(54) **COMBINED ALARM WITH LIGHT**

33/0056; F21V 5/04; F21V 15/01; F21V 33/00; F21V 33/0052; F21L 4/005; F21L 4/027; F21L 4/08

(71) Applicant: **Cody Grandadam**, Peru, IL (US)

See application file for complete search history.

(72) Inventor: **Cody Grandadam**, Peru, IL (US)

(73) Assignee: **PROMIER PRODUCTS INC.**, Peru, IL (US)

(56) **References Cited**

U.S. PATENT DOCUMENTS

D314,245 S * 1/1991 Van Brunschot D26/38
D320,600 S * 10/1991 Yuen D14/168
D323,903 S * 2/1992 Tonyan D10/5
D347,634 S * 6/1994 Lobo D14/171

(Continued)

(**) Term: **15 Years**

(21) Appl. No.: **29/733,573**

(22) Filed: **May 4, 2020**

FOREIGN PATENT DOCUMENTS

(51) **LOC (13) Cl.** **26-05**

(52) **U.S. Cl.**
USPC **D26/51**

CN 201930113862.9 * 7/2019
CN 202030013025.1 * 6/2020
CN 202130105544.5 * 6/2021

(58) **Field of Classification Search**

USPC D26/24, 37-52, 113, 118-119; D14/171; D10/104.1, 106.1, 106.8-106.9, D10/109.1-109.2, 111, 114.4
CPC G08B 17/107; G08B 17/113; G08B 17/10; G08B 5/36; G08B 13/00; G08B 17/00; G08B 25/016; G08B 17/11; G08B 25/12; G08B 7/00; G08B 29/185; G08B 13/04; G08B 13/19619; G08B 13/19626; G08B 25/008; G08B 29/181; G08B 5/38; G08B 13/1409; G08B 13/1427; G08B 13/149; G08B 13/19; G08B 13/191; G08B 13/2434; G08B 15/00; G08B 17/103; G08B 17/12; G08B 17/125; G08B 1/08; G08B 21/18; G08B 21/20; G08B 29/043; G08B 29/183; G08B 29/26; G08B 7/06; G08B 7/062; G08B 13/183; G08B 13/184; G08B 21/084; G08B 21/12; G08B 21/22; G08B 25/08; G08B 25/10; G08B 7/064; F21Y 2115/10; F21Y 2103/10; F21Y 2105/00; F21Y 2115/20; F21V 31/005; F21V 17/12; F21V 23/003; F21V 23/0414; F21V 23/0428; F21V 33/0084; F21V 3/00; F21V 7/00; F21V 9/08; F21V 23/0442; F21V 14/02; F21V 19/02; F21V 23/0492; F21V 25/00; F21V

Primary Examiner — Marissa J Cash

Assistant Examiner — William B Melliar

(74) *Attorney, Agent, or Firm* — Justin Lampel

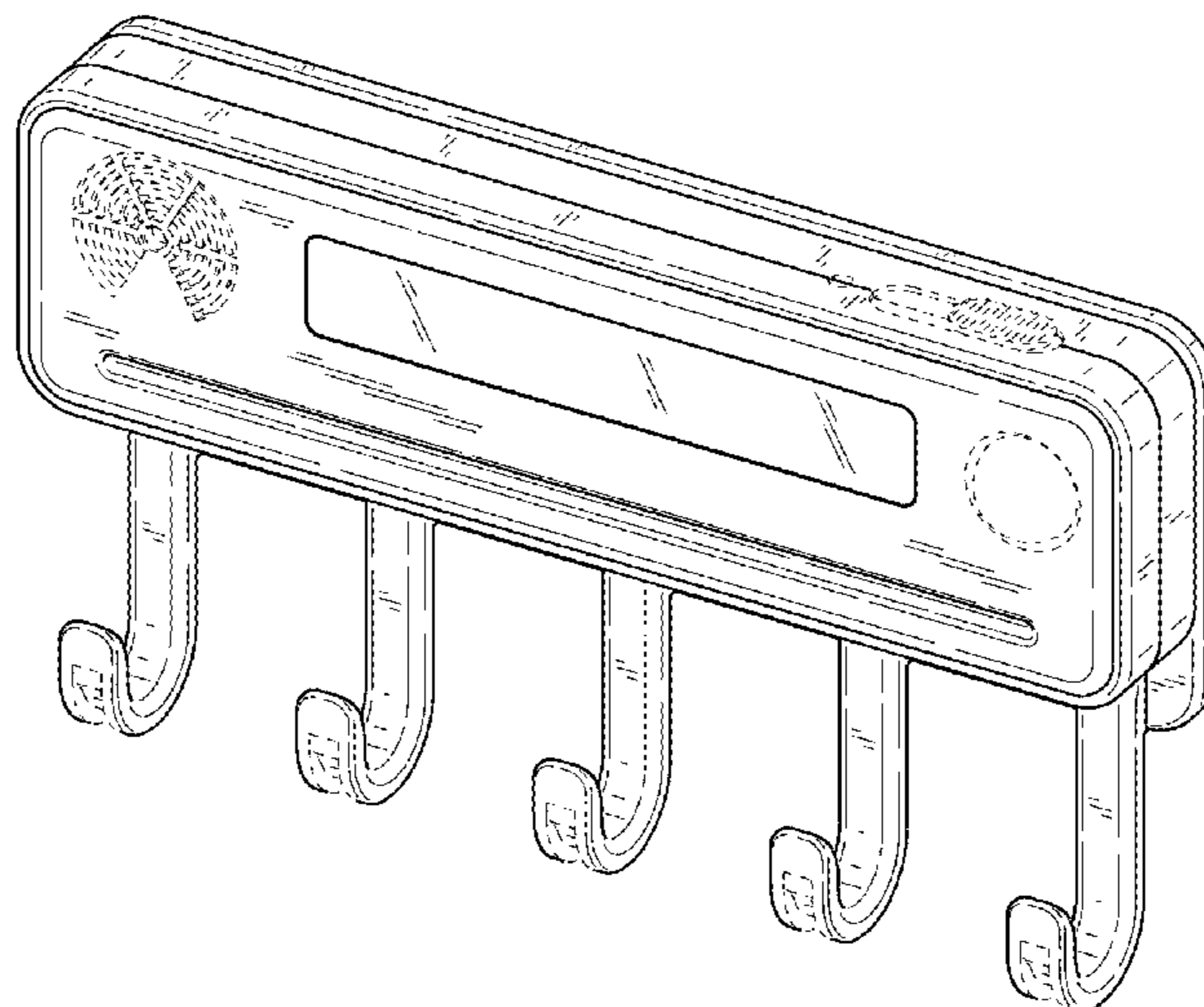
(57) **CLAIM**

The ornamental design for an combined alarm with light, as shown and described.

DESCRIPTION

FIG. 1 is a perspective view of an combined alarm with light showing the claimed design;
FIG. 2 is a perspective view of an combined alarm with light thereof;
FIG. 3 is a front view thereof;
FIG. 4 is a back view thereof;
FIG. 5 is a right side view thereof;
FIG. 6 is a left side view thereof;
FIG. 7 is a top view thereof; and,
FIG. 8 is a bottom view thereof.
The broken lines in the drawings depict portions of the combined alarm with light that form no part of the claimed design.

1 Claim, 3 Drawing Sheets



(56)

References Cited

U.S. PATENT DOCUMENTS

D449,995	S	*	11/2001	Christianson	D10/18
D553,119	S	*	10/2007	Chau	D10/2
D641,647	S	*	7/2011	Wu	D10/111
D729,095	S	*	5/2015	Chiang	D10/114.4
D825,792	S	*	8/2018	Johnson	D26/24
D866,826	S	*	11/2019	To	D26/38
D866,827	S	*	11/2019	To	D26/38
D885,203	S	*	5/2020	Chen	D10/15
D893,766	S	*	8/2020	Sokol	D26/24

* cited by examiner

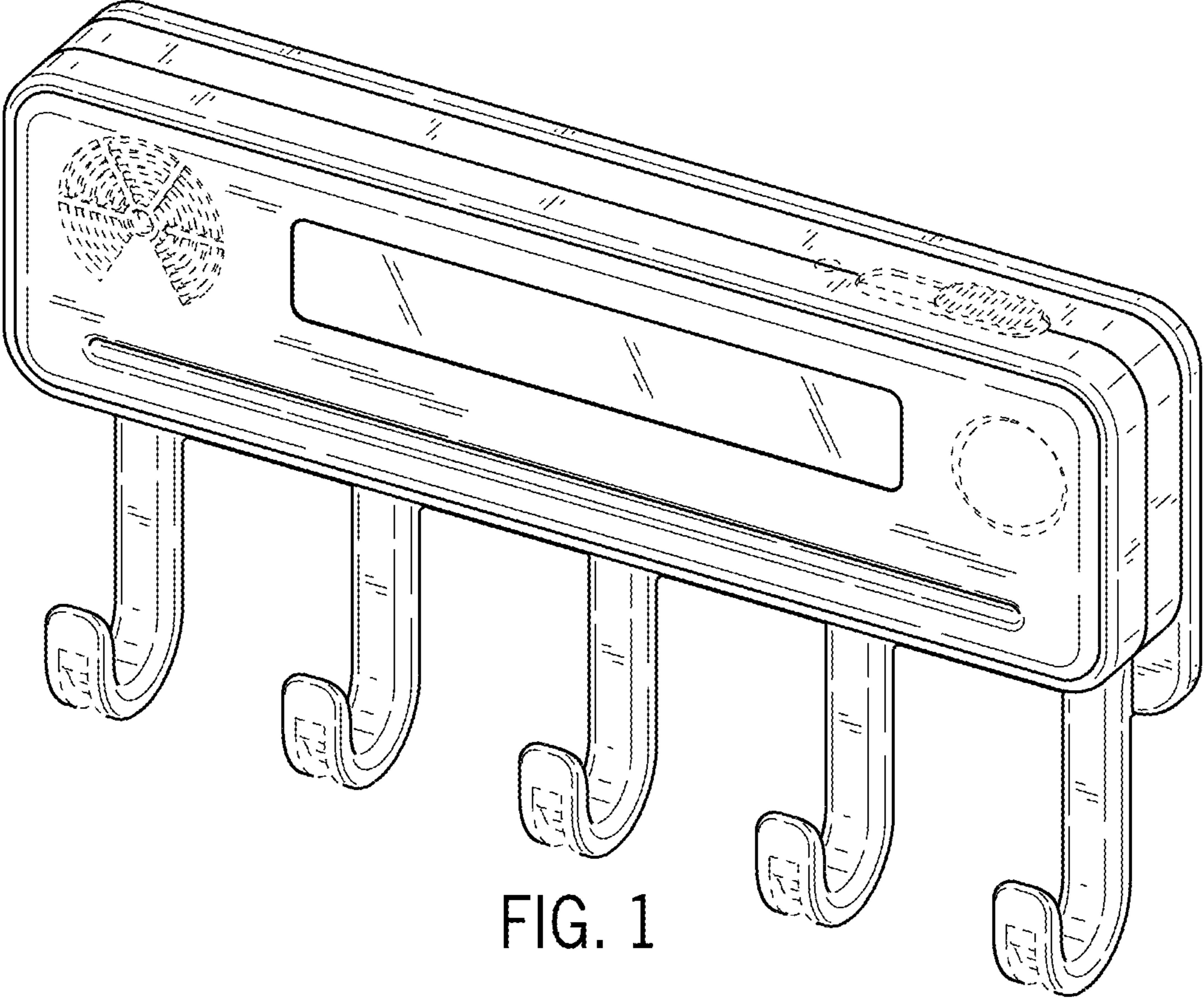


FIG. 1

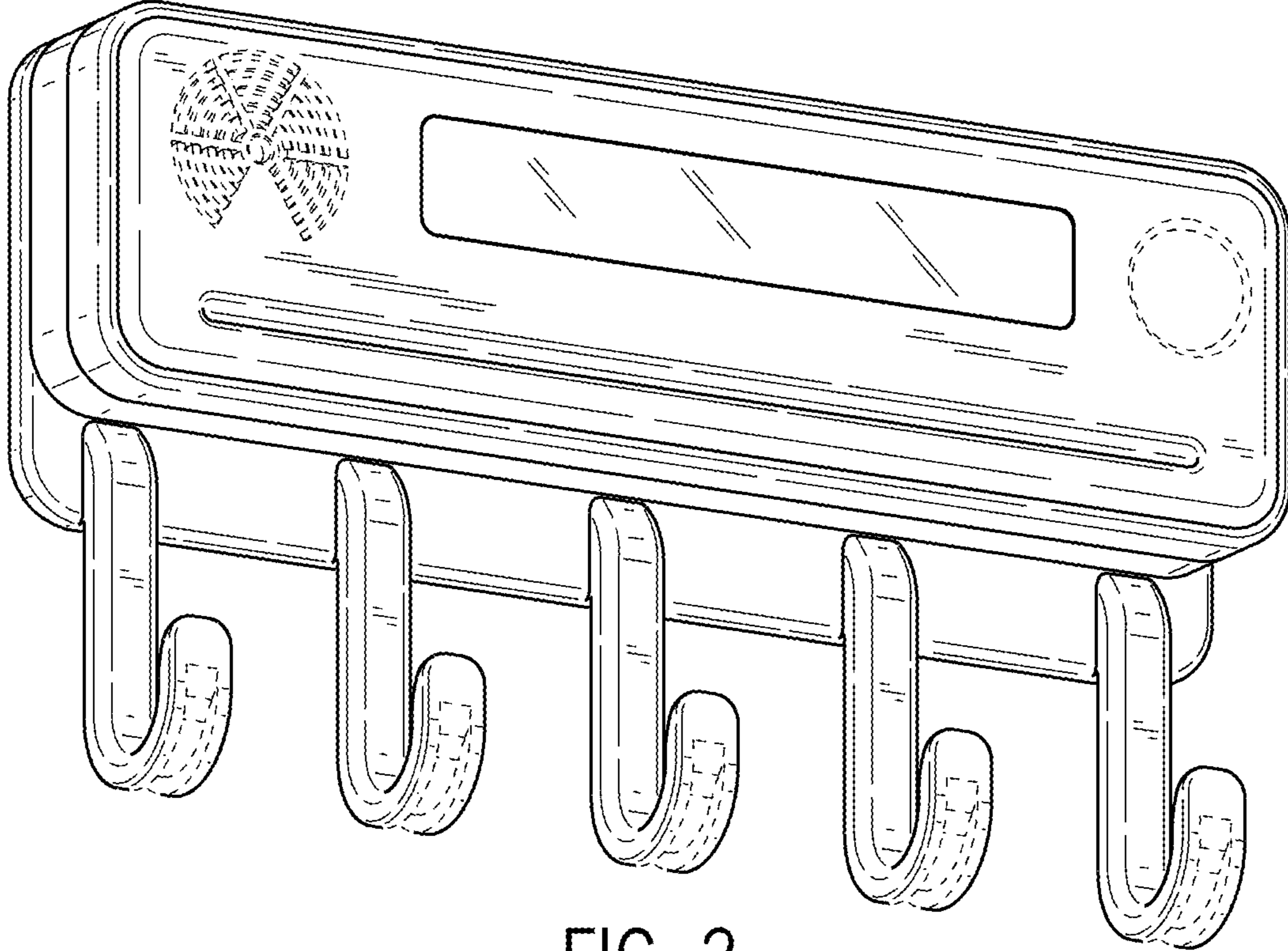


FIG. 2

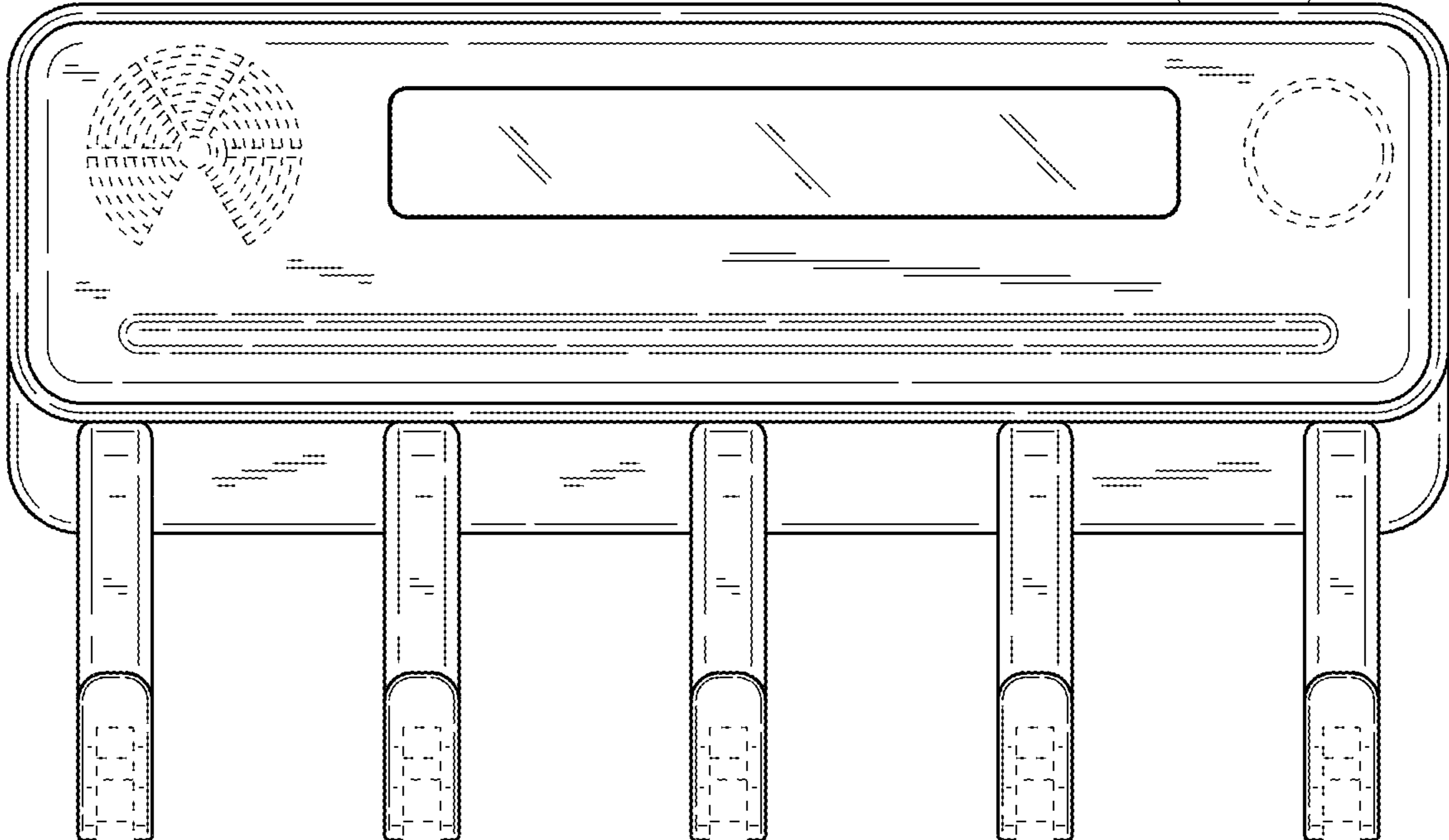


FIG. 3

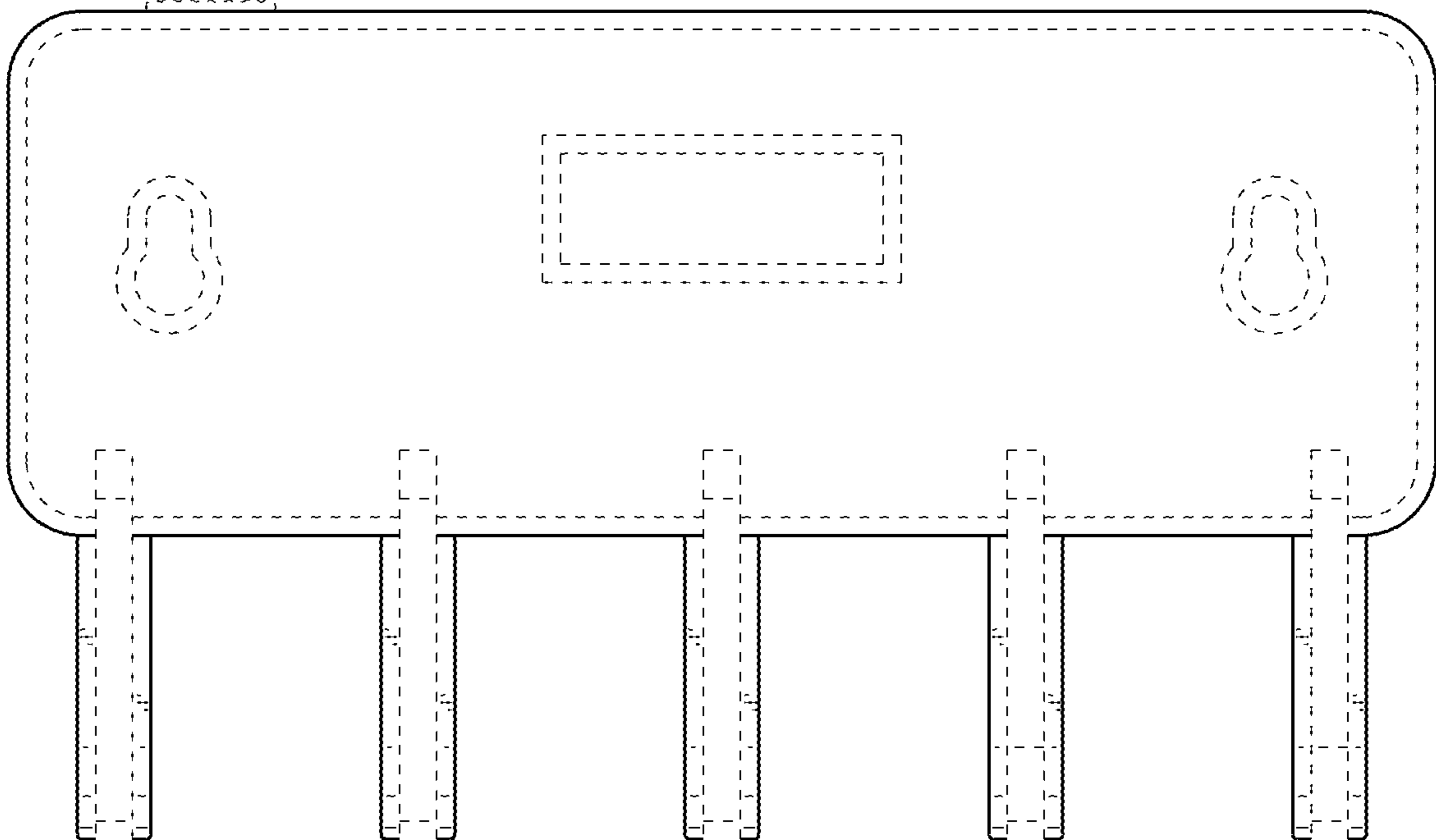


FIG. 4

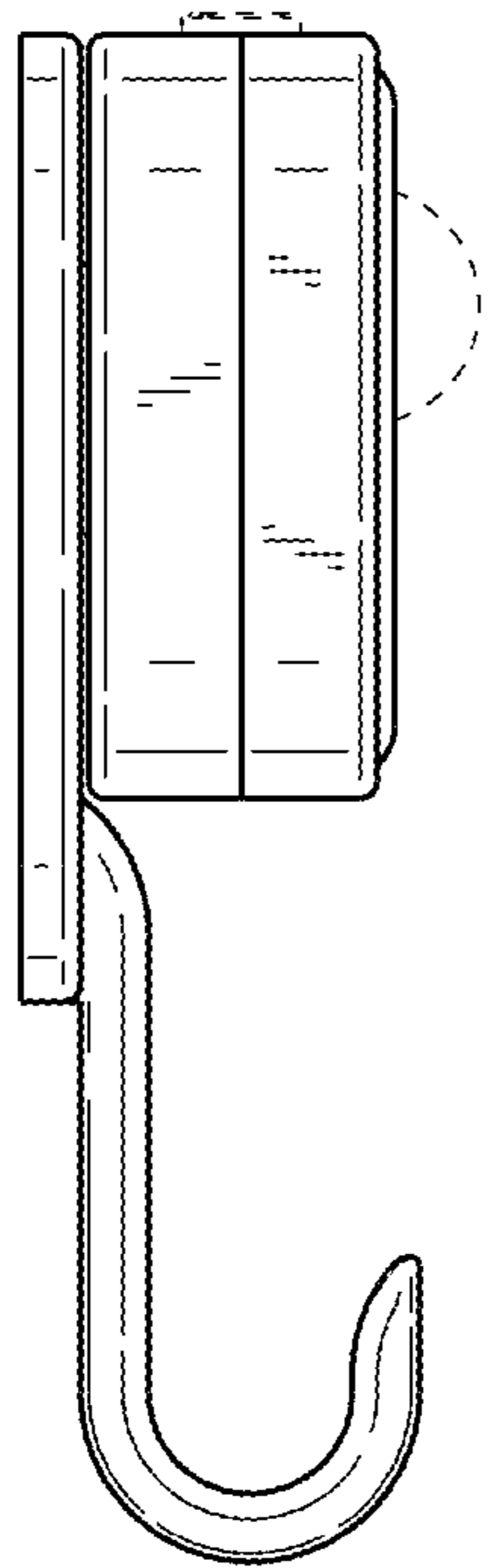


FIG. 5

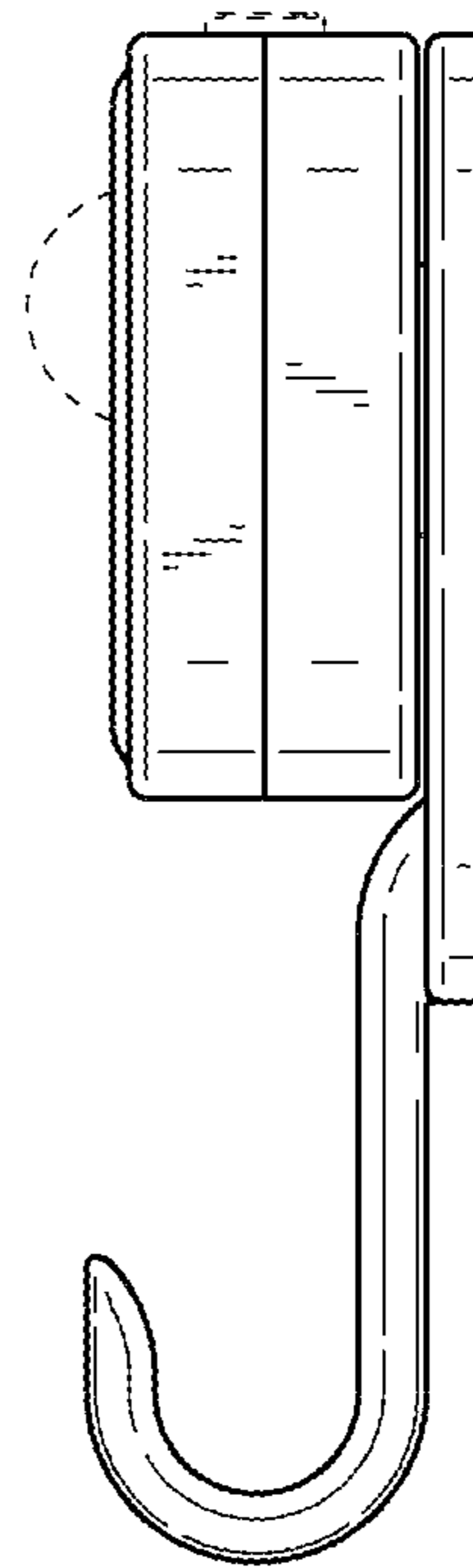


FIG. 6

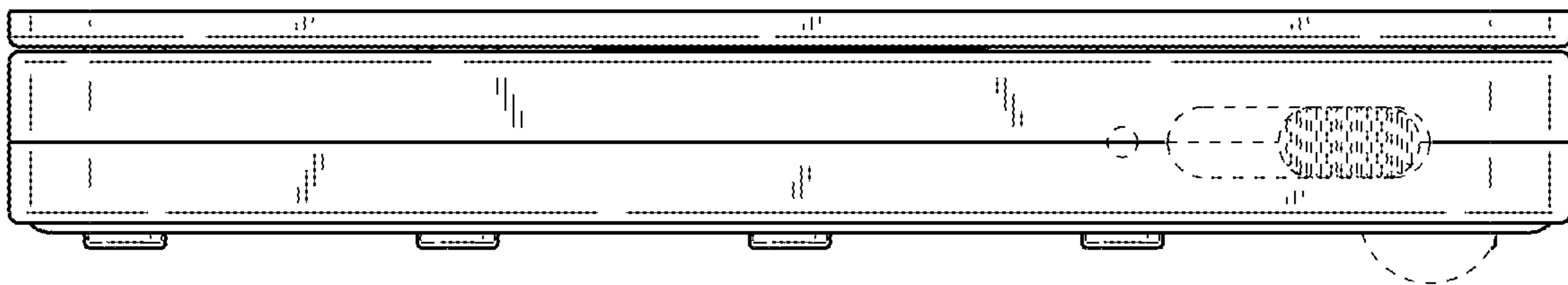


FIG. 7

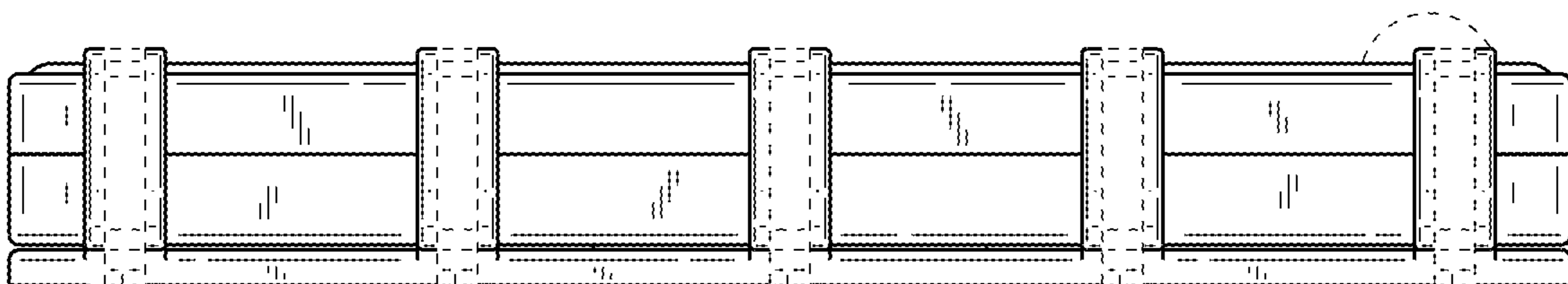


FIG. 8