

US00D950117S

(12) **United States Design Patent** (10) **Patent No.:** **US D950,117 S**
Duan (45) **Date of Patent:** **** Apr. 26, 2022**

(54) **LED ROAD FLARES ARROW**
(71) Applicant: **Jialiang Duan**, Shenzhen (CN)
(72) Inventor: **Jialiang Duan**, Shenzhen (CN)
(**) Term: **15 Years**
(21) Appl. No.: **29/794,032**
(22) Filed: **Jun. 10, 2021**
(51) **LOC (13) Cl.** **26-02**
(52) **U.S. Cl.**
USPC **D26/42**
(58) **Field of Classification Search**
USPC D26/37, 39, 40, 41, 42, 43, 44, 45, 46,
D26/47, 48, 49, 50, 51; D10/114, 114.2,
D10/114.6
CPC F21L 4/00; F21L 4/02; F21L 4/005; F21L
4/025; F21L 4/04; F21L 4/027; F21L
13/04; F21L 13/08; F21Y 2115/10; G02B
6/001; G02B 6/0006; Y10S 362/80
See application file for complete search history.

9,851,082 B2 * 12/2017 Thompson F21V 21/0965
D840,075 S * 2/2019 Bao D26/44
D853,609 S * 7/2019 Uematsu D26/44
D864,450 S * 10/2019 Chen D26/42
D879,344 S * 3/2020 Bao D26/44
D916,340 S * 4/2021 Chen D26/44
2007/0121332 A1 * 5/2007 Liu F21L 4/005
362/459

* cited by examiner

Primary Examiner — Derrick E Holland

(57) **CLAIM**

The ornamental design for an LED road flares arrow, as shown and described.

DESCRIPTION

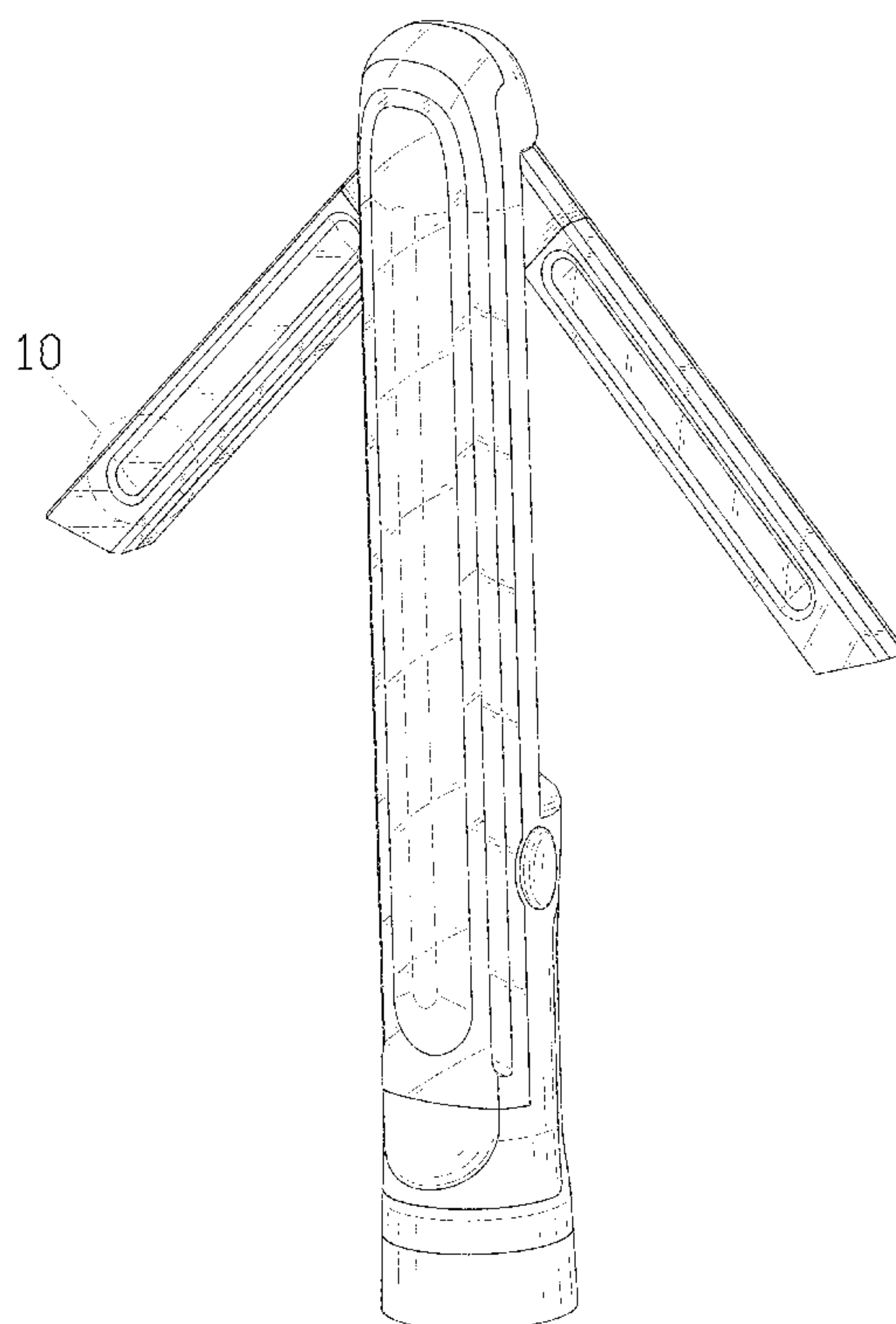
FIG. 1 is a perspective view of an LED road flares arrow showing my new design;
FIG. 2 is another perspective view thereof;
FIG. 3 is a front elevational view thereof;
FIG. 4 is a rear elevational view thereof;
FIG. 5 is a left side elevational view thereof;
FIG. 6 is a right side elevational view thereof;
FIG. 7 is a top plan view thereof;
FIG. 8 is a bottom plan view thereof;
FIG. 9 is a perspective view of the LED road flares arrow where the LED road flares arrow is in a configuration of use; and,
FIG. 10 is an enlarged view of portion 10 shown in FIG. 1. The broken lines in the drawings depict portions of the LED road flares arrow that form no part of the claimed design. The long-dash short-dash broken lines define the bounds of the claimed design and form no part thereof.

(56) **References Cited**

U.S. PATENT DOCUMENTS

D367,123 S * 2/1996 Blye D26/42
D556,926 S * 12/2007 Thirouin D26/42
D593,694 S * 6/2009 Bent D26/37
D606,689 S * 12/2009 Bent D26/50
D694,446 S * 11/2013 Zhou D26/42
D703,356 S * 4/2014 Grandadam D26/44
D749,007 S 2/2016 Shigematsu et al.
D788,336 S 5/2017 Lenart
D794,236 S * 8/2017 Kovacic D26/42

1 Claim, 10 Drawing Sheets



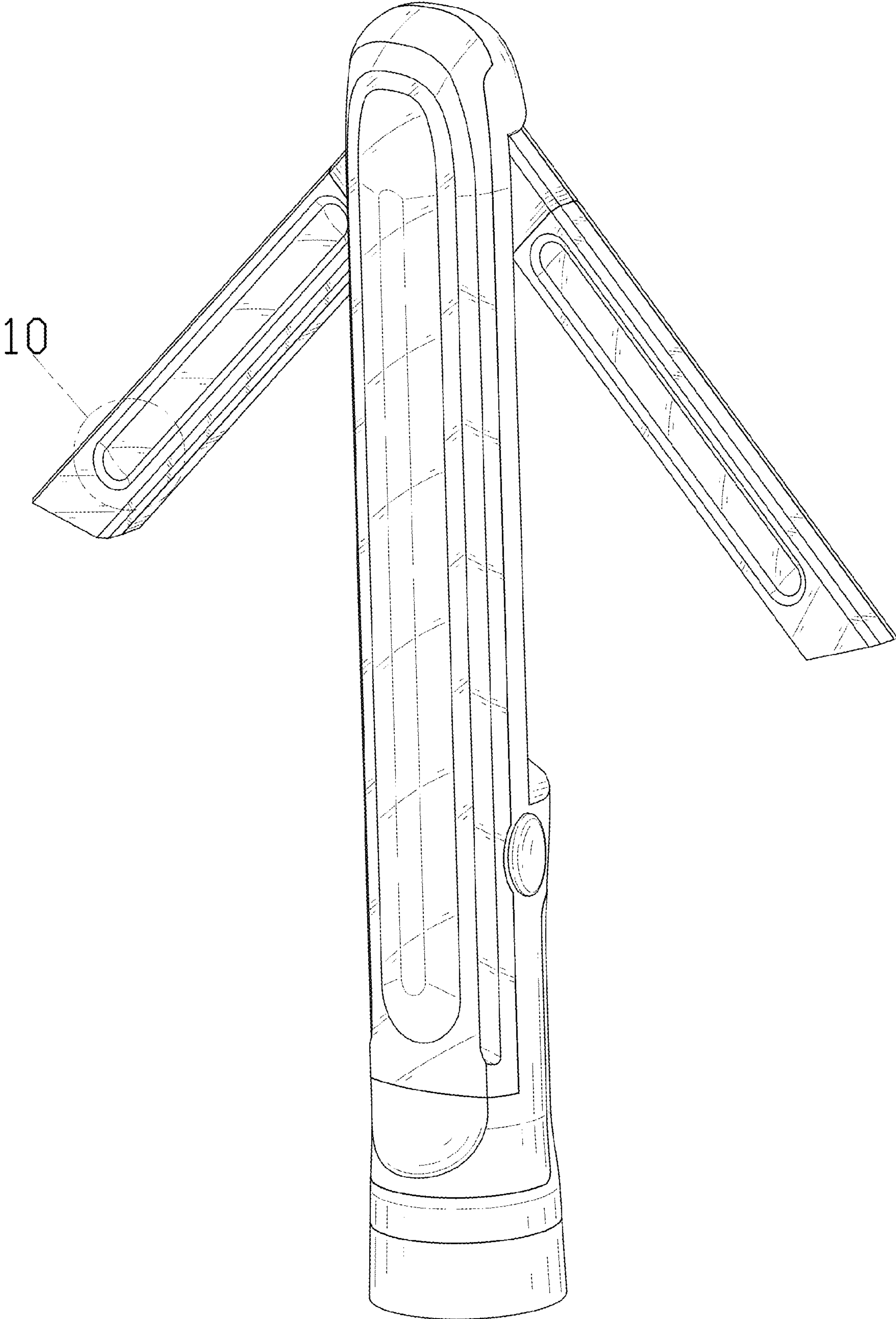


FIG. 1

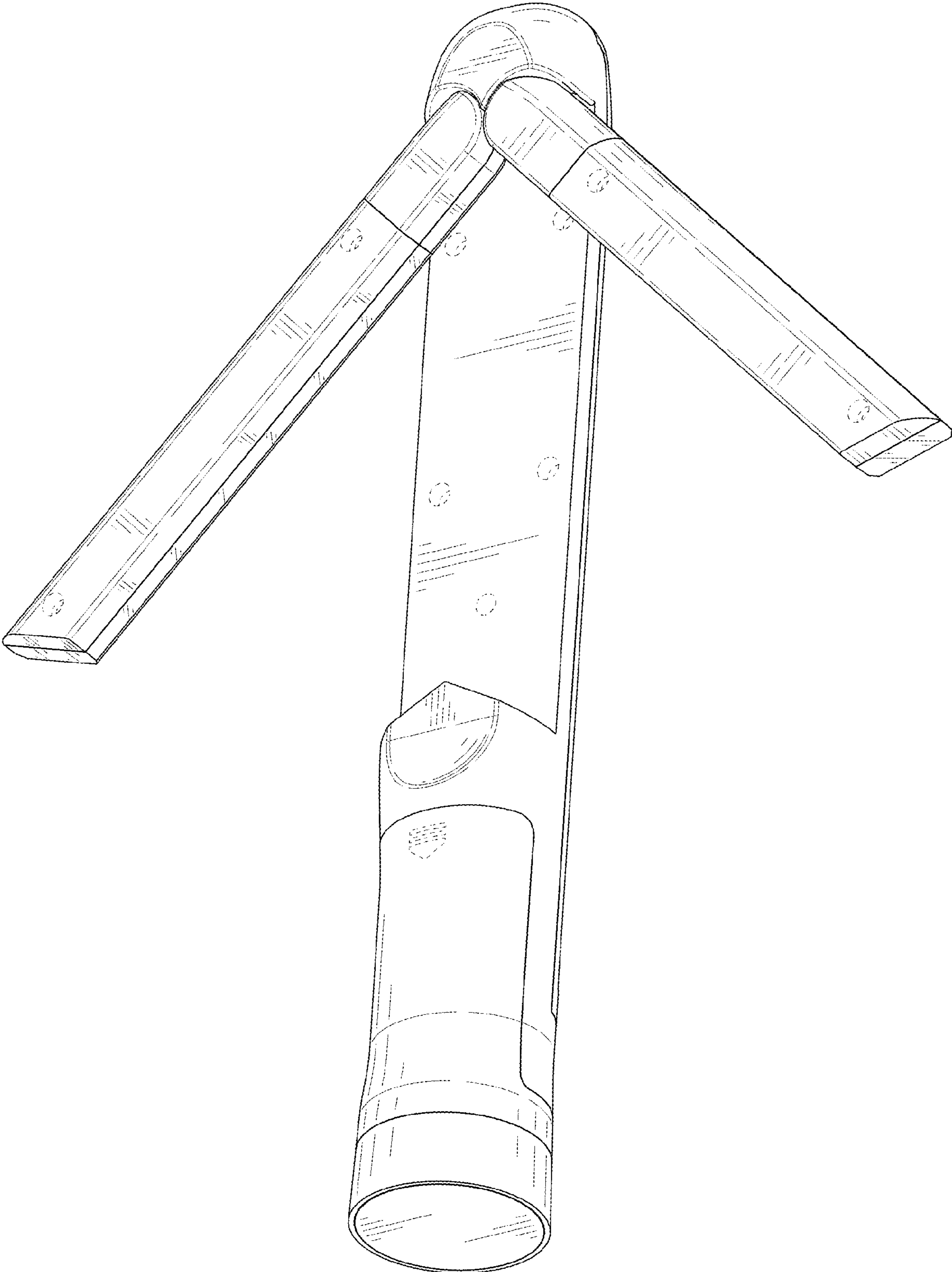


FIG. 2

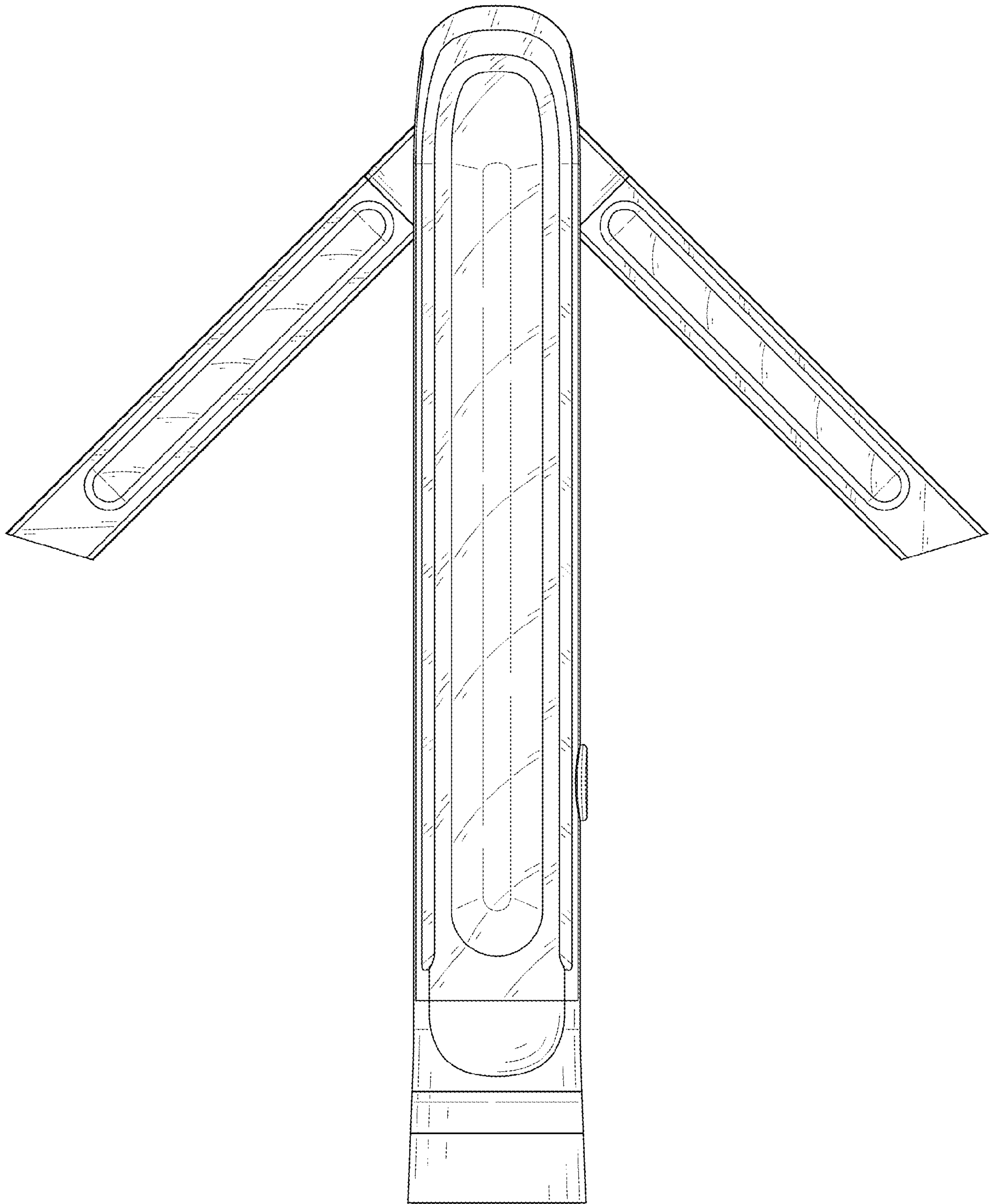


FIG. 3

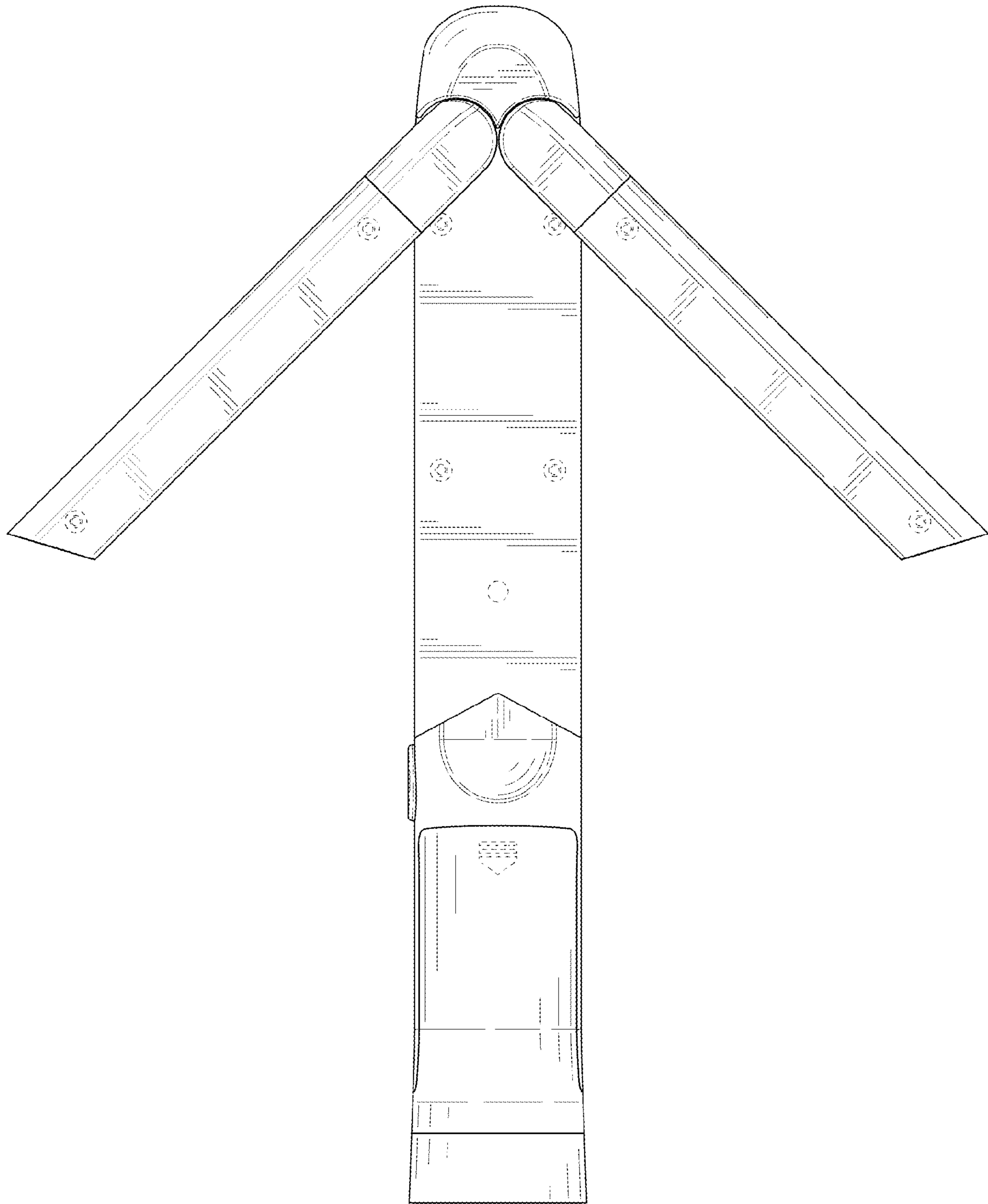


FIG. 4

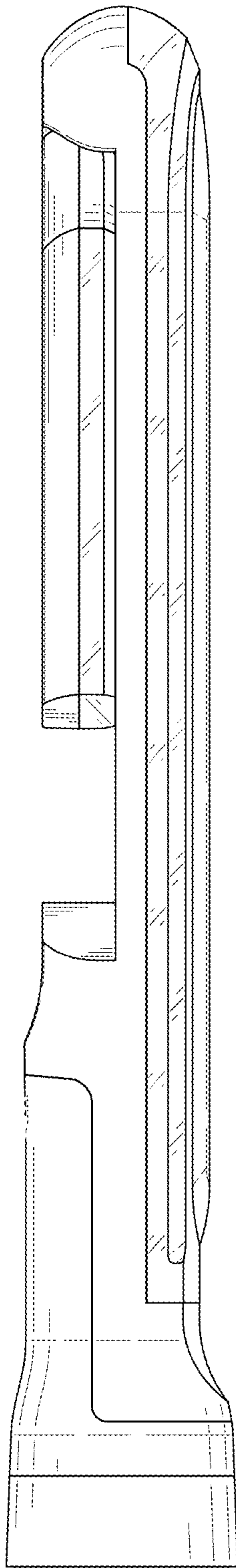


FIG. 5

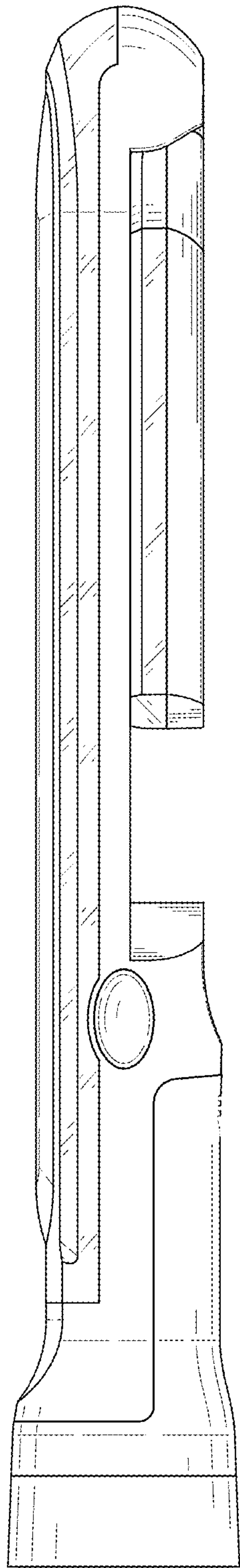


FIG. 6

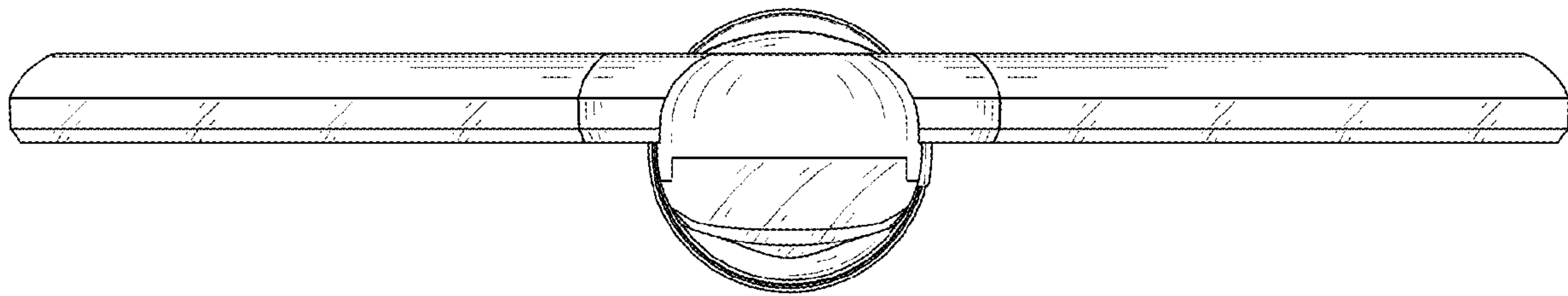


FIG. 7

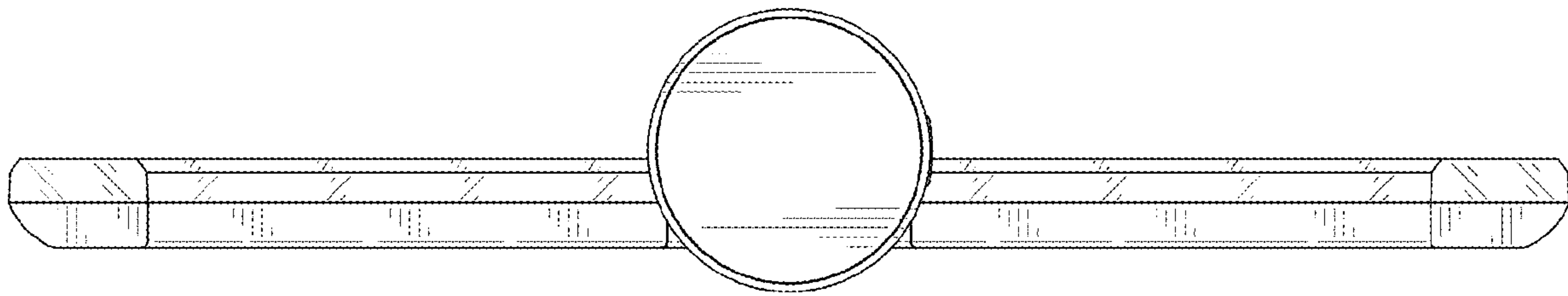


FIG. 8

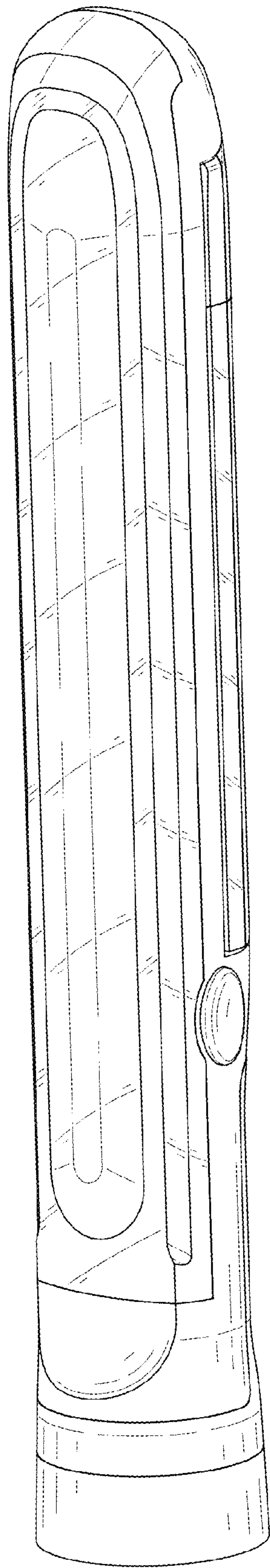


FIG. 9

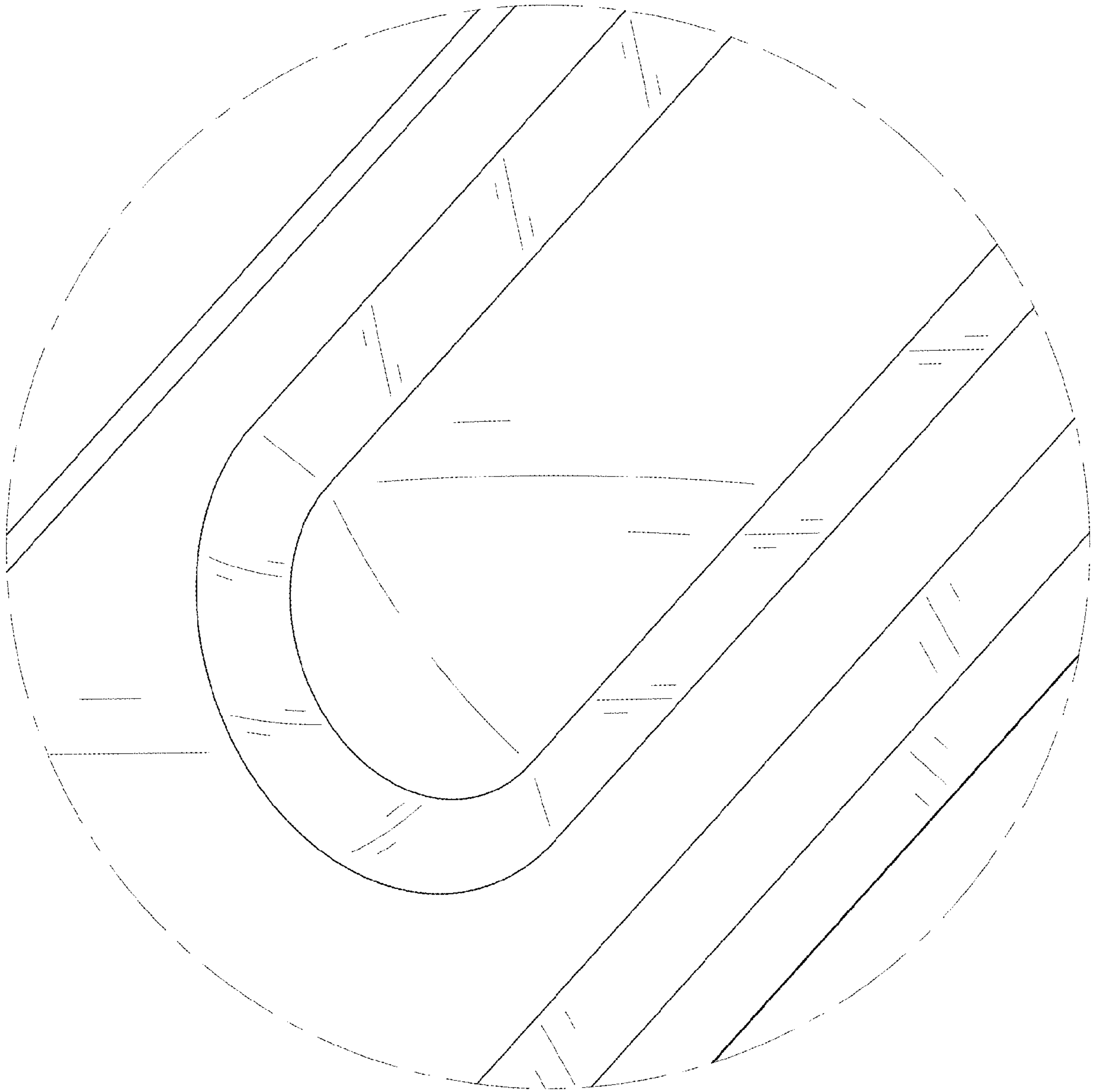


FIG. 10